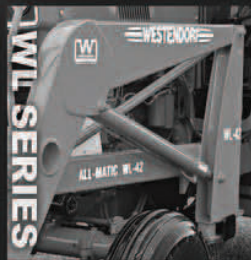


2020



WESTENDORF

SALES MANUAL AND PRICE GUIDE



LIFT & CARRY IMPLEMENTS

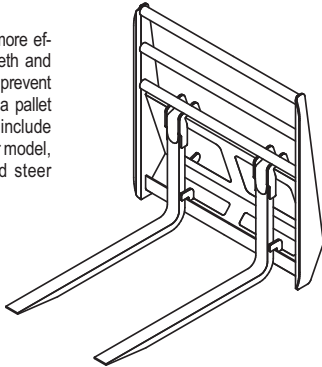


Prices Effective as of 1-21

LIFT & CARRY IMPLEMENTS

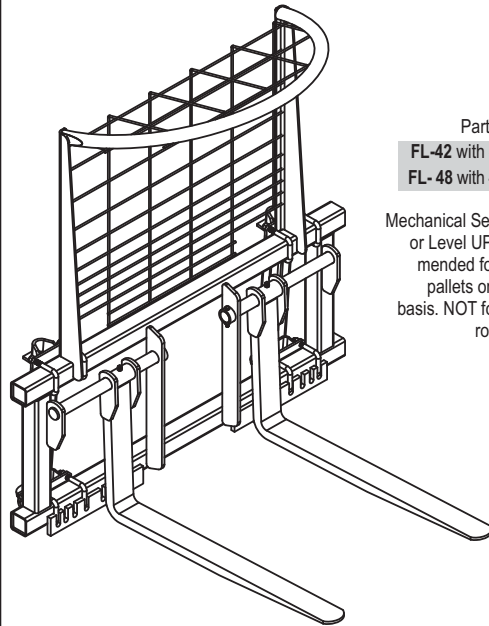
FORK LIFTS

Carry pallets and heavy items more efficiently with different length teeth and built-in spill guards. Short teeth prevent the forks from sticking through a pallet or adjacent materials. Forklifts include the quick-coupler for your loader model, and pin style brackets or skid steer adaptable brackets.



For 100 Series Loaders

Part Number:
FLM-42/FLA-42

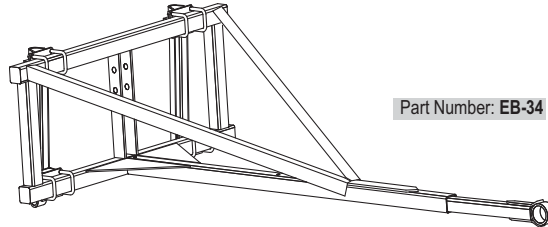


Part Number:
FL-42 with 42" Teeth
FL-48 with 48" Teeth

Mechanical Self-Leveling or Level UP is recommended for handling pallets on a regular basis. NOT for use with round bales.

EXTENDABLE BOOM

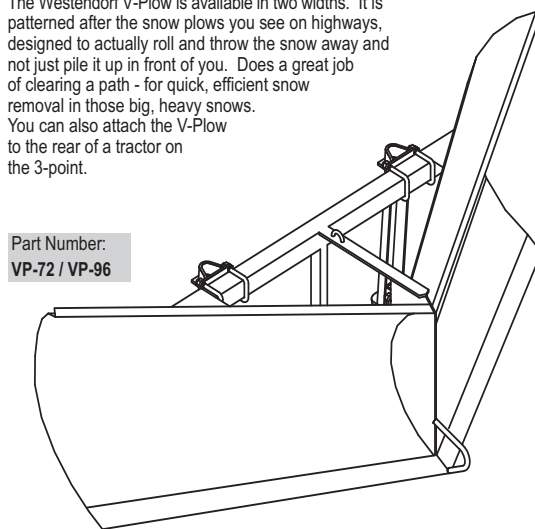
This multi-use tool is a must around the yard. Move many items quickly and easily. Comes standard with quick attach C-3 coupler that works with Westendorf's patented Snap-Attach™ system. Easily adjusts to multiple lengths from 97" to 114".



Part Number: EB-34

V-PLOWS

The Westendorf V-Plow is available in two widths. It is patterned after the snow plows you see on highways, designed to actually roll and throw the snow away and not just pile it up in front of you. Does a great job of clearing a path - for quick, efficient snow removal in those big, heavy snows. You can also attach the V-Plow to the rear of a tractor on the 3-point.



Part Number:
VP-72 / VP-96

LIFT & CARRY BLADES, V-PLOWS & SNOW SCRAPERS

	100 SERIES	WL SERIES	TA SERIES	XTA SERIES	CUSTOM CONTOUR	FREEDOM MOUNT	MAX SERIES
FORK LIFT ATTACHMENTS	TA-52 & 55 TA-111 TA-140 TA-160 TA-170 TA-175 TA-180 TA-185 WL-21 WL-27 WL-42 / 44 WL-61 / 64 TA-25 TA-26 TA-26 Plus TA-26-12 TA-28 TA-28 Plus TA-29 TA-45 TA-46 TA-48 TA-76 TA-77 XTA-400 XTA-700			CC-330 CC-340 CC-360 CC-370 FM-540 FM-550/560 FM-570 FM-580 FM-585 MAX420/420L MAX440/440L			
PRICE							
FLA-42 Fork Lift w/42" Teeth	•						
FLM-42 Fork Lift w/42" Teeth	•	•	•	•	•	•	•
FL-42 Heavy Duty Fork Lift w/42" Teeth		•	•	•	•	•	•
FL-48 Heavy Duty Fork Lift w/48" Teeth		•	•	•	•	•	•
EXTENDABLE BOOM							
EB-34 Extendable Boom		•	•	•	•	•	•
DOZER BLADES & V-PLOWS							
DB-60 60" Dozer Blade	•	•	•	•	•	•	•
DB-84 84" Heavy Duty Dozer Blade		•	•	•	•	•	•
DB-96 96" Heavy Duty Dozer Blade		•	•	•	•	•	•
DB-120 120" Heavy Duty Dozer Blade		•	•	•	•	•	•
VP-72 72" V-Plow	•	•	•	•	•	•	•
VP-96 96" V-Plow	•	•	•	•	•	•	•
SNOW SCRAPER - BOX BLADE							
SBB-5 60" Snow Scraper	•	•	•	•	•	•	•
SBB-6 72" Snow Scraper	•	•	•	•	•	•	•
SBB-8 96" Snow Scraper		•	•	•	•	•	•
SBB-10 120" Snow Scraper		•	•	•	•	•	•
SBB-12 144" Snow Scraper		•	•	•	•	•	•



LIFT & CARRY IMPLEMENTS



Prices Effective as of 1-21

BLADES & V-PLOWS



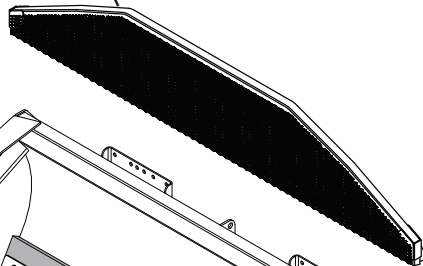
SNOW SCRAPER™

The Snow Scraper is commonly referred to as a containment plow, snow pusher or box style plow. It is designed to mount on the front of your loader or skid-steer to move snow quickly from areas such as driveways, streets, parking lots, commercial lots without leaving windrows.

Part Number: **SBB-5**
Part Number: **SBB-6**
Fits: 100 Series



TOP EXTENSION



SIDE MOUNT SKID KIT

POLY BLADE

Part Number: **SBB-8, SBB-10, SBB-12**

Features a curved, rib-free interior to roll material forward into a large heap. Standard: Hardened steel cutting edge, Skid-Kit & Snap-Attach™ adapters. Add-On Options: Poly Blade and Top Extension .

SNOW SCRAPER

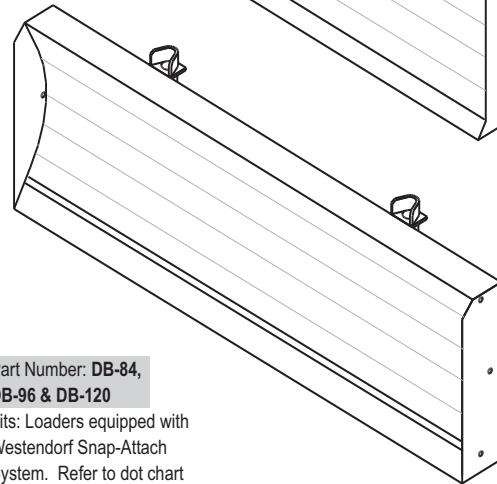
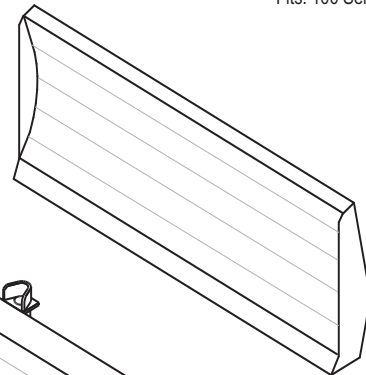
P/N	Width	Fits Buckets	Price
SBB-5	60"	60" Snow Scraper (100 Series Only)	750
SBB-6	72"	72" Snow Scraper (100 Series Only)	900
SBB-8	96"	96" Snow Scraper Includes Skid Kit	1,800
SBB-8TC	96"	96" Snow Scraper w/Top Extension	2,550
SBB-8P	96"	96" Snow Scraper w/Poly Blade	2,280
SBB-8P-TC	96"	96" Snow Scraper w/Poly Blade and Top Extension	3,030
SBB-10	120"	120" Snow Scraper Includes Skid Kit	2,000
SBB-10TC	120"	120" Snow Scraper w/Top Extension	2,750
SBB-10P	120"	120" Snow Scraper w/Poly Blade	2,600
SBB-10P-TC	120"	120" Snow Scraper w/Poly Blade & Top Extension	3,350
SBB-12	144"	144" Snow Scraper Includes Skid Kit	2,400
SBB-12TC	144"	144" Snow Scraper w/Top Extension	3,150
SBB-12P	144"	144" Snow Scraper w/Poly Blade	3,120
SBB-12P-TC	144"	144" Snow Scraper w/Poly Blade & Top Extension	3,870
DB-810		Skid Kit Only Add-On	193
C-85		Skid Steer Adapter Conversion	135

DOZER BLADES

Westendorf dozer blades are built with the heavy-duty user in mind. Choose from the dozer blade designed for the smaller loader up to the 120" wide blades for the larger loaders.

All blades are built with a solid, one-piece shell design. It has a ½" x 6" blade with wear bars on the bottom. Excellent for clearing snow, packing silage and heavy dirt work.

Part Number: **DB-60**
Fits: 100 Series

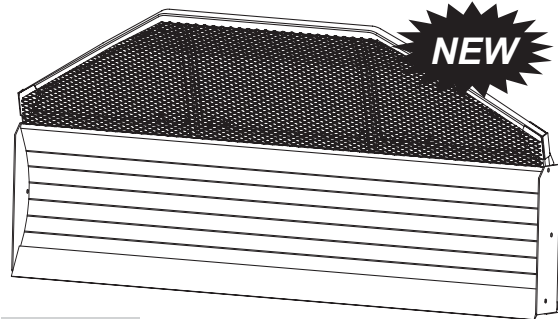


Part Number: **DB-84, DB-96 & DB-120**

Fits: Loaders equipped with Westendorf Snap-Attach System. Refer to dot chart for recommended models.

TOP EXTENSION OPTION

Westendorf dozer blades are now available with an optional top extension to increase capacity.



Part Number: **TC**
Fits: 84", 96" & 120" Dozer Blades

TOP EXTENSION OPTION

P/N	Description	Price
TC	Add-On Top Extension	750

