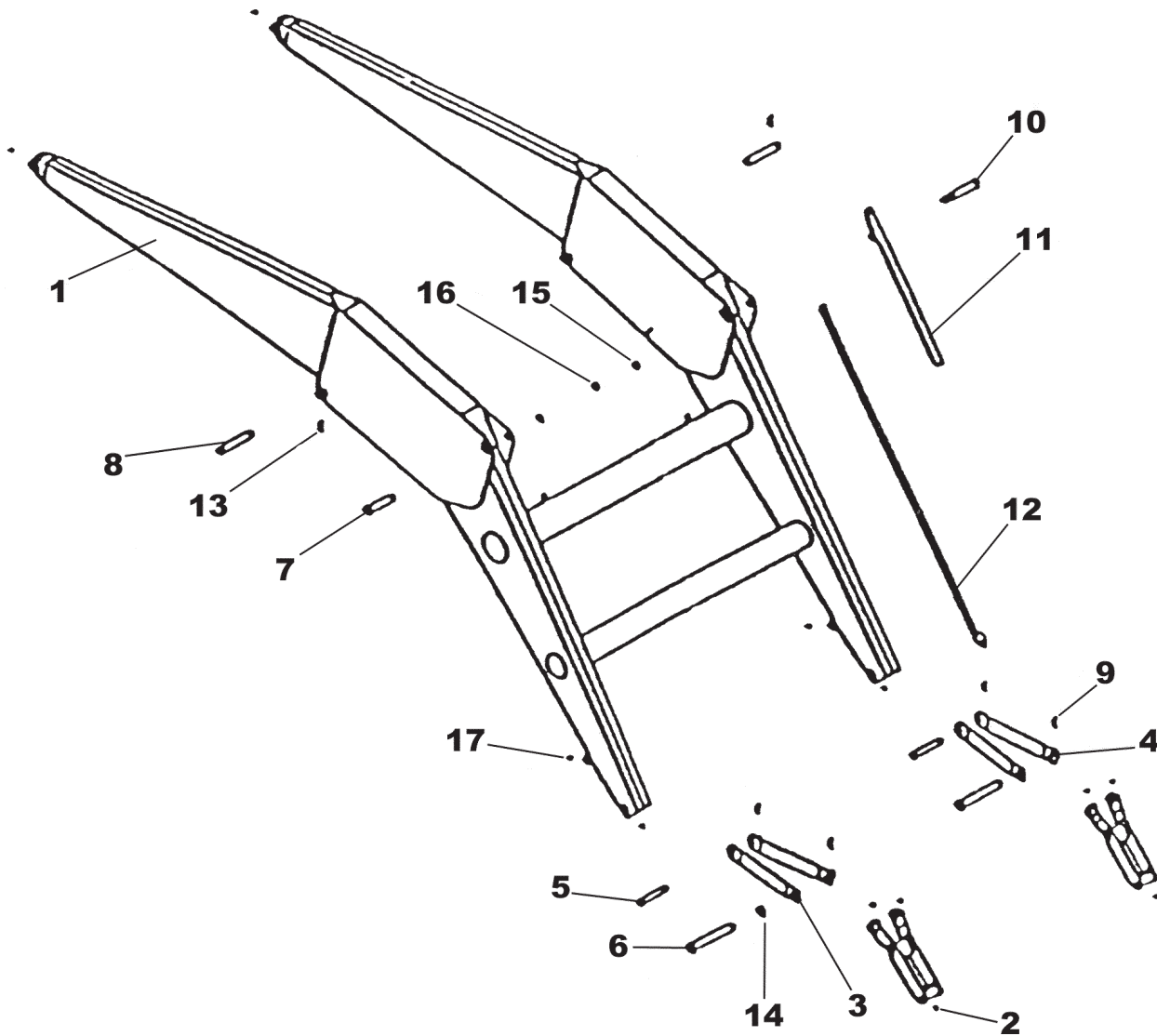


## BASIC LOADER TOWER REPLACEMENT PARTS

Ref.	Part No.	Description	Qty.	Ref.	Part No.	Description	Qty.
1	NBT-12CAS-L	TOWER (LEFT)	1	8	RLG-51	SPRING	2
2	NBT-12CAS-R	TOWER (RIGHT)	1	9	NAT-140AS	EYE-BOLT	4
*	NAT-120COM-R	SLIDE LOCK COMPLETE - RIGHT	-	10	CBF1011056	5/8" x 3-1/2" CARRIAGE BOLT	4
*	NAT-120COM-L	SLIDE LOCK COMPLETE - LEFT	-	11	HTN1011	5/8" LOCK NUT	8
3	NAT-120BAS-R	SLIDE LOCK ASSEMBLY - RIGHT	1	12	HHS1011028	5/8" x 1-3/4" BOLT	4
4	NAT-120BAS-L	SLIDE LOCK ASSEMBLY - LEFT	1	13	LWM10	5/8" LOCK WASHER	4
5	NAT-106A-L	DROP LOCK - LEFT	1	14	NAF-51A	PIN	4
6	NAT-106A-R	DROP LOCK - RIGHT	1	15	DLP0600032	DRIVE LOCK PIN	4
7	NAT-126	RIVET	2	16	**0H013A	FRONT WRAP	1

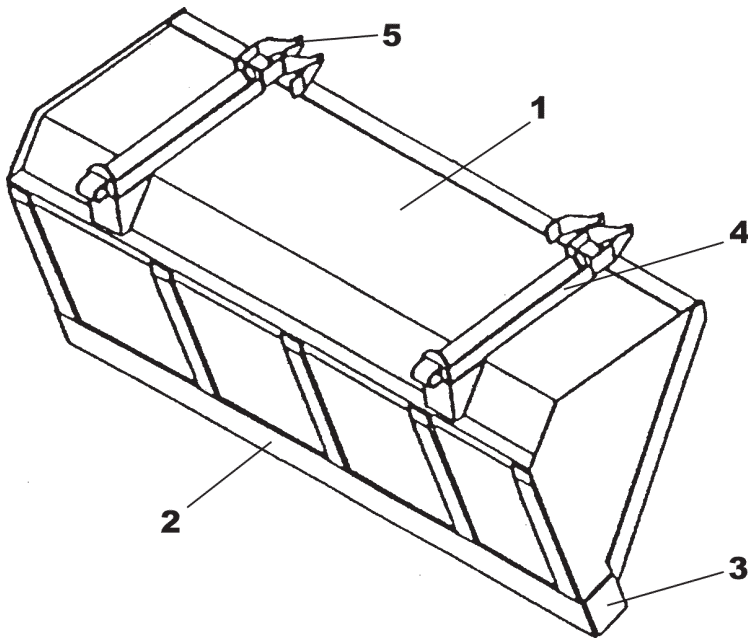
\* NAT-120COM-R contains parts 3, 6, 7, 8, 9, 10, 11. \* NAT-120COM-L contains parts 4, 5, 7, 8, 9, 10, 11.

\*\*Varies by Tractor (Standard Wrap is 0H013A)



## BASIC LOADER ARM REPLACEMENT PARTS

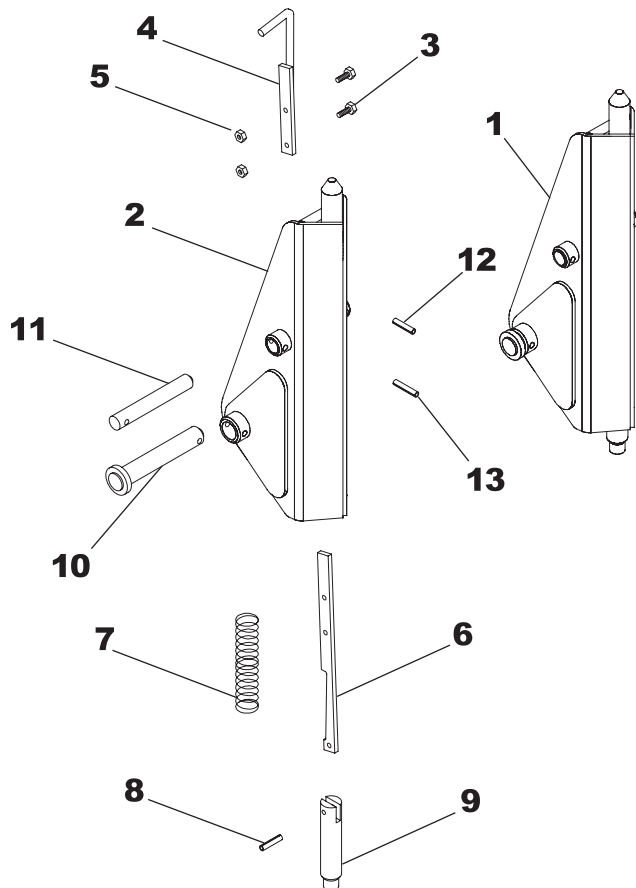
Ref.	Part No.	Description	Qty.	Ref.	Part No.	Description	Qty.
1	NBF-104AAS	FRAME ASSEMBLY	1	10	NAF-53AAS	PIN SQUARE HEAD GAUGE ROD	1
2	NAF-15BAS	LINKAGE CONNECTOR	2	11	LMF-31AS	GAUGE ROD HOLDER	1
3	NAF-10B	LINKAGE BAR	2	12	LMF-47AS	GAUGE ROD	1
4	NAF-10CAS	LINKAGE BAR W/BUSHING	2	13	DRP0600028	DOUBLE ROLL PIN	2
5	LMF-28AS	PIN ROUND HEAD	2	14	NAF-117	SPACE WASHER	1
6	LMF-125AS	PIN ROUND HEAD	2	15	SR-C10	SNAP RING	2
7	NAF-52AS	PIN SQUARE HEAD	1	16	SR-C08	SNAP RING	1
8	LF-83	PIN-LIFT	2	17	ZER1805	GREASE FITTING	12
9	DRP0600032	DOUBLE ROLL PIN	4				



## BUCKET

Ref.	Part No.	Description	Qty.
1	96Q729	96" BUCKET COMPLETE	*
1	108Q733	108" BUCKET COMPLETE	*
2	CB-14	96" CUTTING BLADE	*
2	UB-414	108" CUTTING BLADE	*
3	SB-15	SIDE BLADE	2
4	C-2	RECEIVER ADAPTER	2
5	JB-22	ATTACH GUIDE (OPTION)	4

**NOTE:** \*Depends on width--measure width to get the right part.

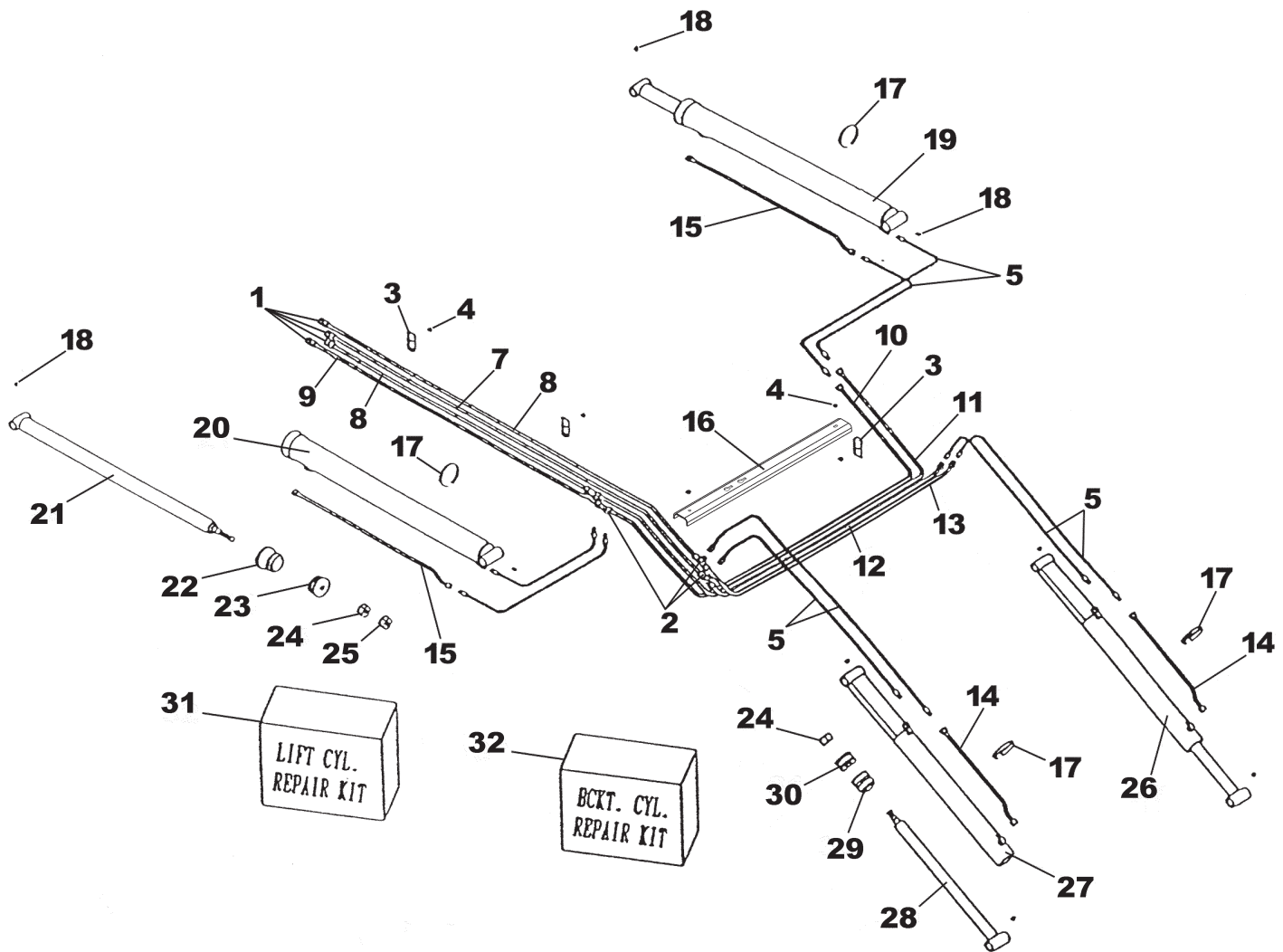


## SNAP-ATTACH™ COUPLER (C-4)

Ref.	Part No.	Description	Qty.
1	QC-201CCOM	SNAP ATTACH (COMPLETE)	1
2	QC-1201AS	SNAP ATTACH (SHELL)	1
3	HHS0518016	5/16" X 1" BOLT	2
4	QC-6AAS	HANDLE	1
5	HTN0518	5/16" LOCK NUT	2
6	QC-8C	LATCH	1
7	QC-12	SPRING	1
8	RLP0500020	ROLL PIN	1
9	QC-3A	PLUNGER	1
10	QC-206AAS	PIN ROUND HEAD	1
11	LF-51A	PIN	1
12	DRP0600028	DOUBLE ROLL PIN	1
13	DRP0600032	DOUBLE ROLL PIN	1

## COSMETICS

Ref.	Part No.	Description	Qty.	Ref.	Part No.	Description	Qty.
1	DEC-77	DECAL KIT	1	3	V-9524-P	PINT BLACK PAINT	1
2	V-5403-A	RED SPRAY PAINT	1	4	V-9524-Q	QUART BLACK PAINT	1
	V-9524-A	BLACK SPRAY PAINT	1	5	V-9524-G	GALLON BLACK PAINT	1



## BASIC HYDRAULIC LINES REPLACEMENT PARTS

Ref.	Part No.	Description	Qty.	Ref.	Part No.	Description	Qty.
1	FFC-8	FEMALE CONNECTOR	4	17	BAND-15	METAL BAND	4
2	FSBT-8	SWIVEL NUT TEE	4	18	ZER1805	GREASE FITTING	8
3	OH-3C	OIL LINE HOLDER	3	19	L-29	LIFT CYLINDER	2
4	HFN0616	3/8" HEX NUT	5	20	L-2901	LIFT CYLINDER BARREL	2
5	H06020FF	3/8" x 20" HOSE	8	21	L-1210B	LIFT CYLINDER RAM	2
6	OLT-250	OIL LINE	1	22	G-R	GLAND	2
7	OLT-251	OIL LINE	1	23	P-I	PISTON	2
8	OLT-252	OIL LINE	1	24	HFN1614	1" HEX NUT	4
9	OLT-253	OIL LINE	1	25	HJN1614	1" HEX JAM NUT	2
10	OLT-254	OIL LINE	1	26	B-26	BUCKET CYLINDER	2
11	OLT-255	OIL LINE	1	27	B-2601	BUCKET CYLINDER BARREL	2
12	OLT-166	OIL LINE	1	28	B-2410	BUCKET CYLINDER RAM	2
13	OLT-167	OIL LINE	1	29	G-L	GLAND	2
14	OLT-143	OIL LINE	2	30	P-B	PISTON	2
15	OLT-3	OIL LINE	2	31	#29CK	REPAIR KIT (LIFT)	*
16	OH-1A	OIL LINE COVER	1	32	#4CK	REPAIR KIT (BUCKET)	*

\*Contains: O-Ring, Back-Up Washers, Seals, Piston Rings, Snap Rings, Etc. to repair one cylinder.