



# WD, PWD, & SWD SERIES

useable for rocks, roots and debris

Whichever size rake you choose, we insure the same product quality. Whether you purchase a three point mounted or pull type version, all rakes come standard with bolt on, reversible and replaceable teeth made of RT-400 steel which is 4 times stronger than market standards. All mechanical rakes are protected with a slip clutch system while the hydraulic version is pressure regulated.

All our frames are of the highest grade material to support greater shocks and loads in rough field conditions. They are also driven by heavy duty double chains (single for WD-6) located in a sealed drive case for complete dust and rock protection.

## WD-10H:

Unlike the standard WD models, the WD-10H rock rake is powered directly by the tractor's hydraulic system. It also includes a 25 degree hydraulic swivel, enabling it to be perpendicular to the tractor if desired.

## PWD-10:

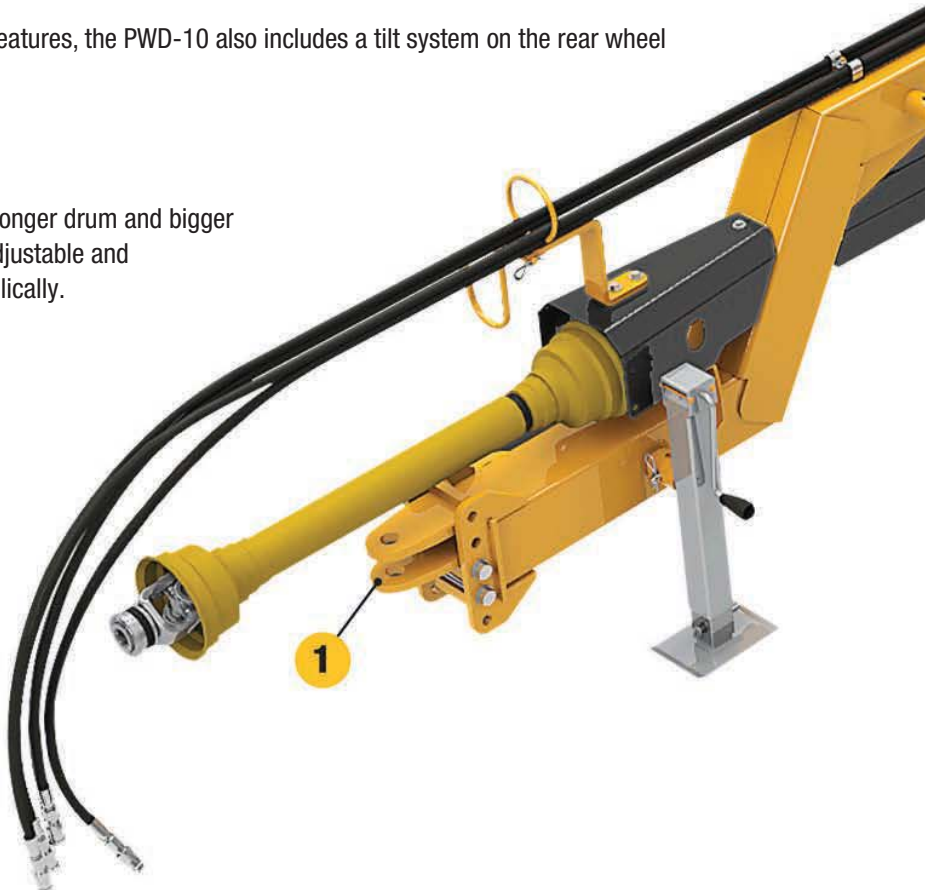
In addition to the above standard features, the PWD-10 also includes a tilt system on the rear wheel to adjust to ground contour.

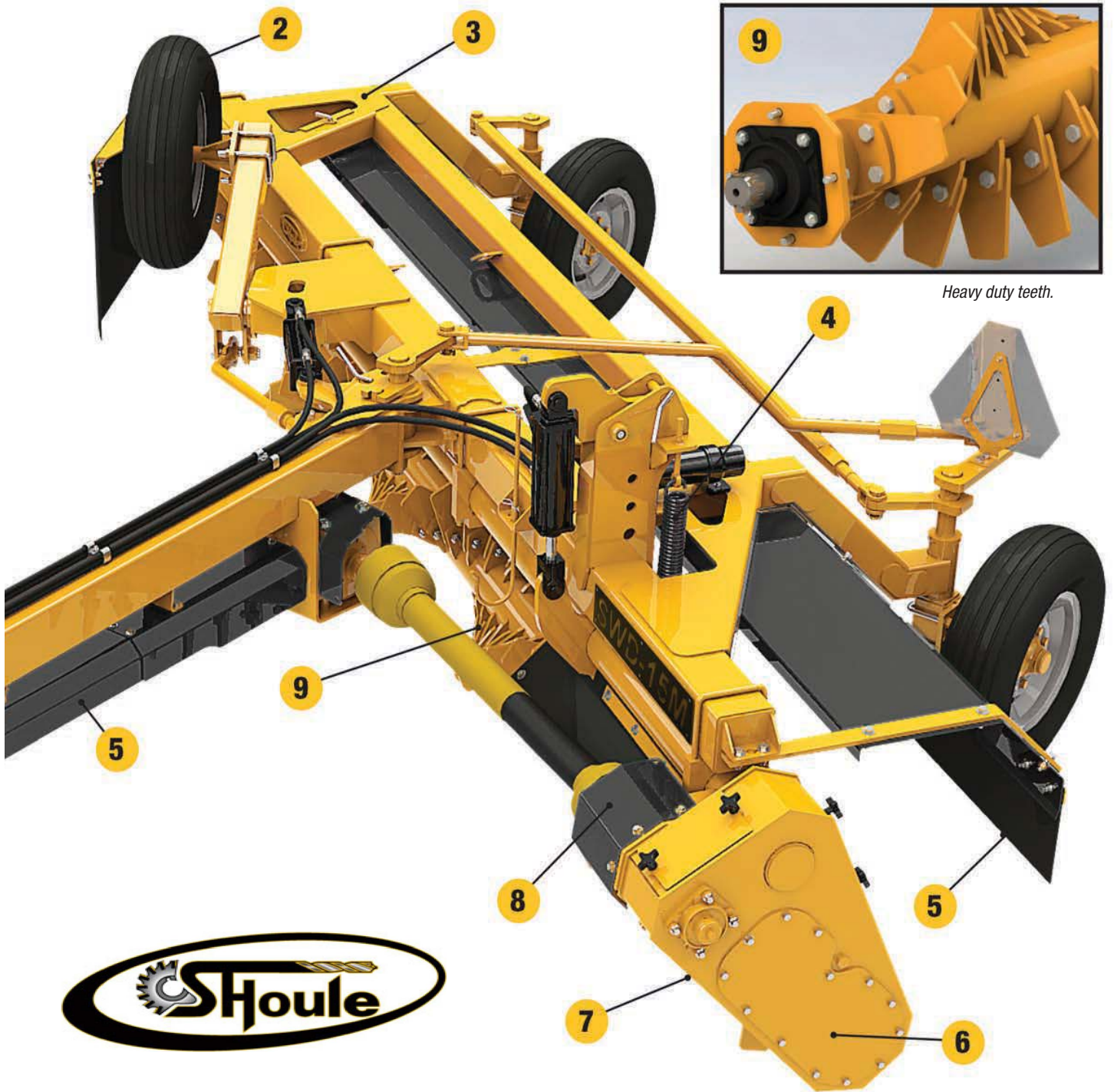
## SWD-15:

Our top of the line model. It has a longer drum and bigger drive bearings. Working angle is adjustable and transport mode is achieved hydraulically.

## Features:

1. Pull type or 3 point hitch
2. Hydraulic transport system
3. Heavy duty frame
4. Flotation system (drum)
5. Protective shields
6. Sealed chain case
7. Dual chain
8. Multiple disc slip clutch
9. Heavy duty teeth replaceable and reversible





Heavy duty teeth.



Dual chain.



Multiple disc slip clutch.



# WD SERIES

Standard 3 point hitch models, PTO driven



The WD-6 and **WD-10B** rock rakes are made to move rocks and roots into windrows making them easier to collect.

## SPECIFICATIONS

<b>Tires</b>	<b>WD-6</b> : 16,5"x 6,5" (419 x 165 mm) <b>WD-10B</b> : 18,5" x 8,5" (470 x 206 mm) Able to pivot 360° allows for greater flexibility and maneuverability
<b>Hookup</b>	3 point hitch mounting system
<b>Drop Box</b>	Chain, gears and bearings in sealed oil bath
<b>Protection</b>	Slip clutch
<b>Tooth Type</b>	RT-400 steel replaceable and reversible, 4x stronger than regular steel
<b>Transport Conversion</b>	None
<b>Working Width</b>	<b>WD-6</b> : 5' 2" (1,6 m) <b>WD-10</b> : 8' 8" (2,7 m)

WD Series				
MODEL	WIDTH	WEIGHT	RECOM. HP HP (KW)	Price USD
<b>WD-6</b>	7.3' (2.2 m)	1150 lb (522 kg)	40-60 (30-48)	13 400 \$
<b>WD-10B</b>	11.3' (3.5 m)	1850 lb (839 kg)	65-125 (48-93)	16 600 \$





**ROCK RAKES**

# WD SERIES

Hydraulic models, 25° swivel front or rear mounted



The **WD-10H** rock rake is powered directly by the tractor's hydraulic system.

It can be installed in front on a SKID STEER loader, or front or rear mounted on a 3 point hitch.

This rock rake has a 25 degree hydraulic swivel, enabling it to be perpendicular to the tractor if desired.

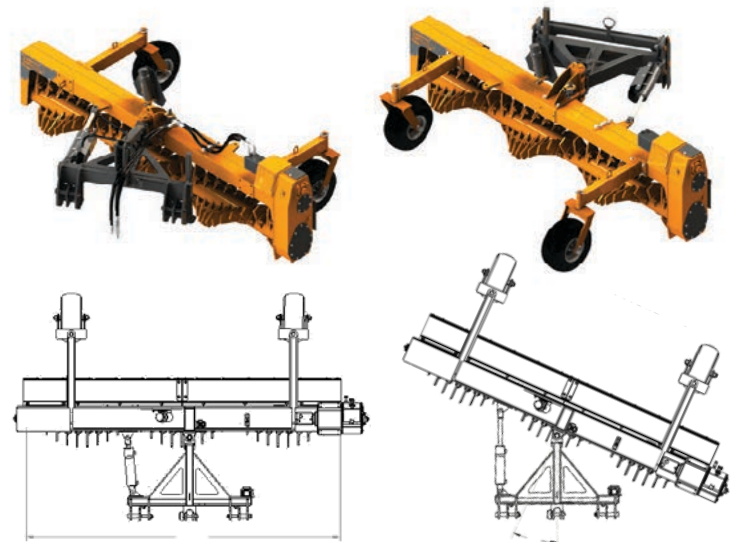
The tractor's hydraulic system requirements are a flow between 10 and 16 GPM (37.85 to 6-56 l/m), with a maximum pressure of 3000 psi (207 bars).

SPECIFICATIONS	
Tires	18.5" x 8.5" (470 x 206 mm)
Hookup	SKID STEER or 3 Point Hitch
Drop Box	Chain, gears and bearings in sealed oil bath
Protection	Pressure relief valve
Tooth Type	RT-400 steel replaceable and reversible, 4x stronger than regular steel
Transport Conversion	None
Working Width	10' (3.05 m)

WD Series (hydraulic drive, 25o degree swivel)				
MODEL	WIDTH	WEIGHT	RECOM. HP HP (KW)	Price USD
WD-10H	11.4' (3.47 m)	2100 lb (953 kg)	65+ (49+)	16 250 \$

Installation type	
3 POINT HITCH	3 425 \$
SKID STEER	4 015 \$

**3 point hitch rear installation      Skid Steer front installation**





# PWD SERIES

**pulled model**



The **PWD-10** rock rake is designed to dig and move rocks and roots into a windrow making them easy to collect.

## SPECIFICATIONS

Tires	11L/15
Hookup	Pull Type
Drop Box	Chain, gears and bearings in sealed oil bath
Protection	Slip clutch
Tooth Type	RT-400 steel replaceable and reversible, 4x stronger than regular steel
Transport Conversion	Manual
Working Width	8' 8" (2,7 m)

## PWD Series

MODEL	WIDTH	WEIGHT	RECOM. HP HP (KW)	Price USD
PWD-10	11.3' (3.5 m)	2500 lb (1134 kg)	65-125 (48-93)	19 800 \$





# SWD SERIES

## hydraulic transport conversion



The **SWD-15** is designed to adapt to 65-125 HP (48-93 KW) tractors. It digs and moves rocks and roots to form a windrow making them easy to pick up. It is offered in 3 versions.

### SPECIFICATIONS

<b>Tires</b>	11L/15
<b>Hookup</b>	Pull Type
<b>Drop Box</b>	Chain, gears and bearings in sealed oil bath
<b>Protection</b>	Slip clutch
<b>Tooth Type</b>	RT-400 steel replaceable and reversible, 4x stronger than regular steel
<b>Transport Conversion</b>	Hydraulic
<b>Working Width</b>	13' 10" (2,43 m)
<b>Transport Width</b>	8' (2,43 m)
<b>Also included</b>	Multiple guards, flotation system

### SWD Series

MODEL	WIDTH	WEIGHT	RECOM. HP HP (KW)	Price USD
<b>SWD-15M</b>	15.8' (4.8 m)	4275 lb (1940 kg)	65-125 (48-93)	<b>37 950 \$</b>
<b>SWD-15T</b>	15.8' (4.8 m)	4775 (2170 kg)	65-125 (48-93)	<b>41 150 \$</b>
<b>SWD-15H</b>	15.8' (4.8 m)	4275 lb (1940 kg)	65-125 (48-93)	<b>36 000 \$</b>

### Configurations...

#### SWD-15M

Mechanical version. Driven with a driveshaft connected to the tractor's PTO.



#### SWD-15T

Independent hydraulic system. The auxiliary pump is driven with a driveshaft connected to the tractor's PTO. The rake is provided with a reservoir and an oil cooler.

The oil from the tractor does not flow into the rake's system.



#### SWD-15H

Fully hydraulic. The rake is driven by the tractor's hydraulic system. There is no hookup to the PTO. The tractor's oil circulates in the rake's system. The tractor must provide between 16 gpm and 32 gpm @ 3000 psi.





# FWD Series

## Front 3 Point Hitch model

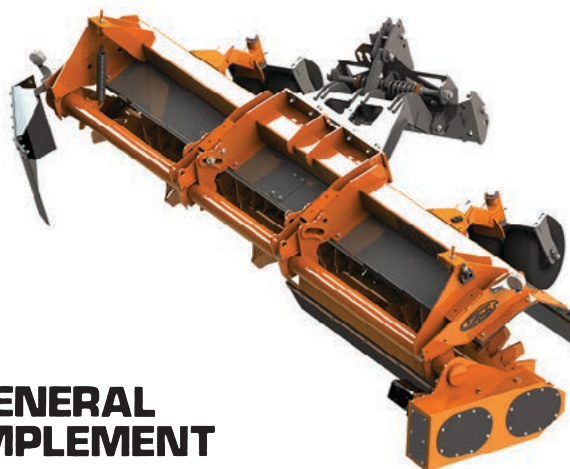


The **FWD-14** is designed to adapt to 65-125 HP (48-93 KW) tractors. It digs and moves rocks and roots to form a windrow making them easy to pick up. Installed on the front of the tractor on the 3 point hitch, this unit makes a perfect combo with *Rock Master* rock picker (page 21).

FWD Series				
MODEL	WIDTH	WEIGHT	RECOM. HP HP (KW)	Price USD
FWD-14	15' (4.57 m)	3940 lb (1787 kg)	65-125 (48-93)	34 000 \$

### SPECIFICATIONS

<b>Tires</b>	18,5" x 8,5" (470 x 206 mm) 75° swivel allows greater maneuvering versatility
<b>Hookup</b>	3 point hitch front hookup - category 2 (1 7/16")
<b>Drop Box</b>	Chain, gears and bearings in sealed oil bath
<b>Protection</b>	Slip clutch
<b>Tooth Type</b>	RT-400 steel replaceable and reversible, 4x stronger than regular steel
<b>Transport Conversion</b>	None
<b>Working Width</b>	12' 4" (3.76 m)





# DRR SERIES

## double auger



The **DRR-30** is a double auger rock rake designed for major chores. With two 14' floating augers, the unit unfolds to an angle of 120 degrees to achieve a total working width of 27 feet. The unit has a 30 inch central area allowing the formation of a single rock swath. Hydraulic drive activated by tractor PTO, protected with overflow caution valve and cooled with thermostatic bypass valve. Comes with hydraulic depth control.

### SPECIFICATIONS

<b>Tires</b>	Rear: 16.5 x 16.1 (2x) / Front: 11L-15 (4x)
<b>Hookup</b>	Pull type (category 2 ou 3)
<b>Drop Box</b>	Chain, gears and bearings in sealed oil bath
<b>Protection</b>	Pressure relief valve
<b>Tooth Type</b>	RT-400 steel replaceable and reversible, 4x stronger than regular steel
<b>Transport Conversion</b>	Hydraulic
<b>Working Width</b>	27'
<b>Transport Width</b>	10' 2" (3,10 m)
<b>Also included</b>	Multiple guards, flotation system
<b>Required Oil Flow</b>	2x 18 GPM @ 3000 PSI
<b>for base full hydraulic model</b>	2x 68 l/m @206 bars

DRR Series				
MODEL	WIDTH	WEIGHT	RECOM. HP (KW)	Price USD
DRR-30	35' (10.66 m)	13 500 lb (6124 kg)	80+ (60+)	87 300 \$
FULL HYDRAULIC - DRIVEN BY TRACTOR'S HYDRAULIC SYSTEM				
OPTIONS				
Independant hydraulic system with pump on rake driven with PTO driveshaft. Reservoir and oil cooler on rake.				10 450 \$

