

AGRICULTURAL MACHINERY
sitrex®
S.p.A

**OPERATOR'S MANUAL
SPARE PARTS LIST**

RP/4-RP/5-RP/6-RP/8-RP/10-RP/12

TABLE OF CONTENT

1	MOUNTED SIDE-DELIVERY RAKES: RP/4-RP/5-RP/6-RP/8-RP/10-RP/12.....	2
1.1	<i>INTRODUCTION.....</i>	2
1.2	<i>WARRANTEE</i>	2
1.3	<i>CAUTION FOR USE.....</i>	3
1.4	<i>ASSEMBLY SOLUTION</i>	3
1.5	<i>SPECIFICATIONS</i>	3
1.6	<i>RP/4-RP/5 AND RP/6 RAKE ASSEMBLY INSTRUCTIONS.....</i>	4
1.7	<i>ASSEMBLING.....</i>	4
1.8	<i>MOUNTING OF RP/4 AND RP/5 RAKE TO TRACTOR</i>	7
2	RP/8-RP/10 AND RP/12 V-RAKE ASSEMBLY INSTRUCTIONS.....	7
2.1	<i>ASSEMBLING.....</i>	8
3	ON THE FIELD WITH RP/4-RP/5 AND RP/6	9
3.1	<i>RAKING.....</i>	10
3.2	<i>SPREADING</i>	10
3.3	<i>TURNING.....</i>	10
4	ON THE FIELD WITH RP/8-RP/10 AND RP/12 V-RAKES	11
5	FEATURES.....	12
6	MAINTENANCE	12
7	Machine identification data and conformity declaration	12
8	SPARE PARTS LIST	Errore. Il segnalibro non è definito.

1 MOUNTED SIDE-DELIVERY RAKES: RP/4-RP/5-RP/6-RP/8-RP/10-RP/12.

1.1 INTRODUCTION

This manual includes full instructions for a correct use and maintenance of the machinery, and the recommended spare parts list.

In order to prevent any possible damage of the machine and/or the operator(s) you are kindly requested to go through this manual for a proper knowledge of the assembly of the implements, their use on the field, and their maintenance. If any doubt, please contact your local dealer or distributor.

Should the machine be re-sold, you are kindly requested to supply this manual along with the machine to the new purchaser.

1.2 WARRANTY

The manufacturer warrants new machinery at the time of delivery to the original purchaser to be free from defects in material and workmanship if properly set up and operated in accordance with this Operator's Manual.

The manufacturer undertakes to repair or replace free of charge any defective part which should be returned by the purchaser (freight prepaid) and found to be defective by inspection authorized by the manufacturer during the warranty period.

This warranty will be valid for 12 (twelve) months from the delivery of goods to the original purchaser.

In case the customer is not in a position to return the defective part to the manufacturer, the manufacturer cannot be held responsible for any cost due for repair or replacement of any part of the machine, he will only supply the part(s) required for the repair and/or replacement.

The warranty is null and void when it is evident that the machine has been improperly used or repaired or however repaired without authorization.

The manufacturer undertakes no responsibility for any obligation or agreement reached by any manufacturer employers, agents or dealers, which are not in compliance with the above warranty. The manufacturer cannot be held responsible for the consequent damages. This warranty substitutes any other warranty, express or implied, and any other manufacturer's obligation.

1.3 CAUTION FOR USE

It could be dangerous for people who are not familiar with this type of machine to use the rakes particularly when kids are there during the assembly or operation on field. We therefore recommend the use of the only to those people who are very familiar with the machine and the safety precautions.

1.4 ASSEMBLY SOLUTION

Our rakes are easily convertible into different sizes, as almost all parts are standard and interchangeable on all sizes (wheel arms, wheels - etc.). With a special frame it is possible to attach together two RP/4-RP/5-RP/6 rakes - R.H. and L.H. - and convert them into a V-rake.

Here are the advantages

- 1) Having a R.H. RP/4 rake or a R.H. RP/5 rake or a R.H. RP/6 rake you can convert them into a L.H. RP/4 or L.H. RP/5 or L.H. RP/6 rake by replacing all wheel arms marked RIGHT with those marked LEFT.
- 2) Having a R.H. RP/4 rake you can convert it into a RP/8 V-rake by attaching a L.H. RP/4 rake and the relevant frame. To get one RP/10 V-rake from two RP/5 rake the procedure is still the same. To get one RP/12 V-rake from two RP/6 rake the procedure is still the same.
- 3) You could also use your V-rake as two single ones, L.H. or R.H. rake, according to your requirements.

1.5 SPECIFICATIONS

	MODELS					
	RP/4	RP/5	RP/6	RP/8	RP/10	RP/12
Weight	180 Kg 396 lbs	200 Kg 440 lbs	250 Kg 551 lbs	460 Kg 1013 lbs	520 Kg 1146 lbs	620 Kg 1366 lbs
Number of wheels	4	5	6	8	10	12
Number of tines on each wheel	40	40	40	40	40	40
Wheel diam.	1,4 m 55"	1,4 m 55"	1,4 m 55"	1,4 m 55"	1,4 m 55"	1,4 m 55"
Raking working width	2,6 m 8' 6"	3,5 m 11' 6"	4,1 m 13' 6"	5,5 m 18' 1"	7,5 m 24' 7"	8,7 m 28' 6"
Turning and spreading working width	2,9 m 9' 6"	3,9 m 12' 10"	4,4 m 14' 5"	6,1 m 20'	8,7 m 28' 7"	10 m 32' 10"
Transport width	2,2 m 7' 3"	2,3 m 7' 6"	2,3 m 7' 6"	3,6 m 11' 10"	4,7 m 15' 5"	4,7 m 15' 5"
Working speed	22 kmh 14 mph	22 kmh 14 mph	22 kmh 14 mph	22 kmh 14 mph	22 kmh 14 mph	22 kmh 14 mph
KW/HP required min.	22 Kw 30 HP	22 Kw 30 HP	22Kw 30HP	30 Kw 40HP	30Kw 40HP	30Kw 40HP

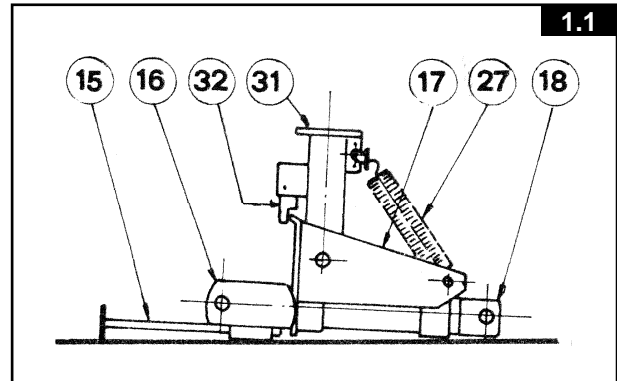
1.6 RP/4-RP/5 AND RP/6 RAKE ASSEMBLY INSTRUCTIONS

To room in the container we supply the partly knocked down. Here be-assembly instructions. For refer to the enclosed breakdown.

1.7 ASSEMBLING

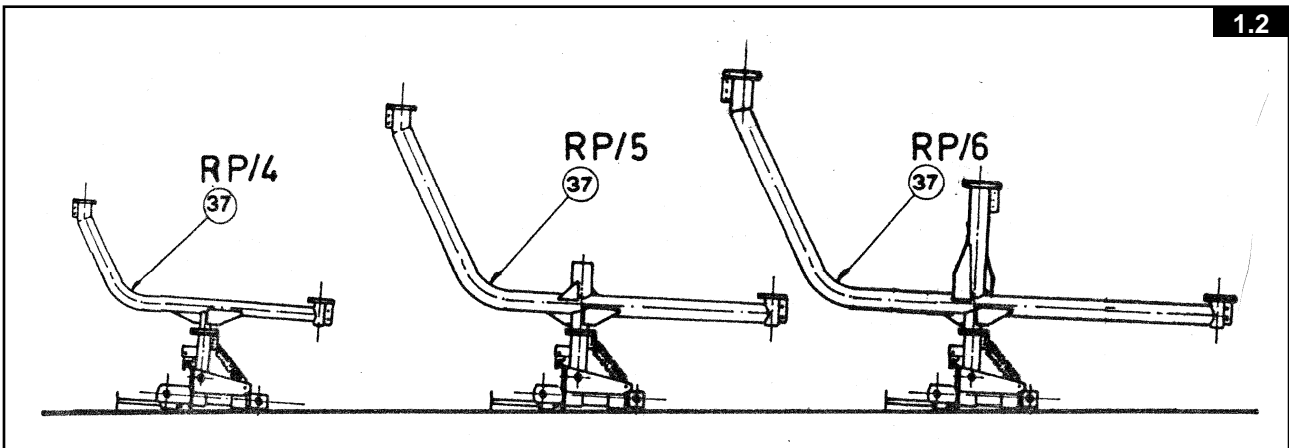
1.7.1

Position the parking stand (15) in its housing and lock it with the pin (13), Next, lay the primary structure assembled) on the ground with the pipe (31) upwards (pict 1.1).



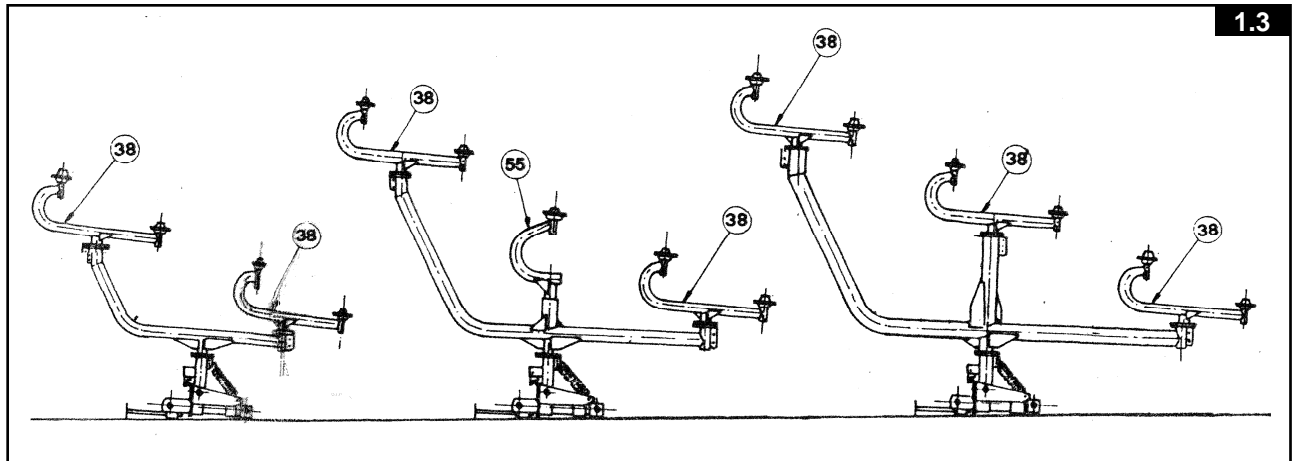
1.7.2

Slide the pipe (37) into the swinging pipe (31) and retain with the supplied lever (33) and pin (36), so that it is on axle with the three point hitch (pict. 1.2).



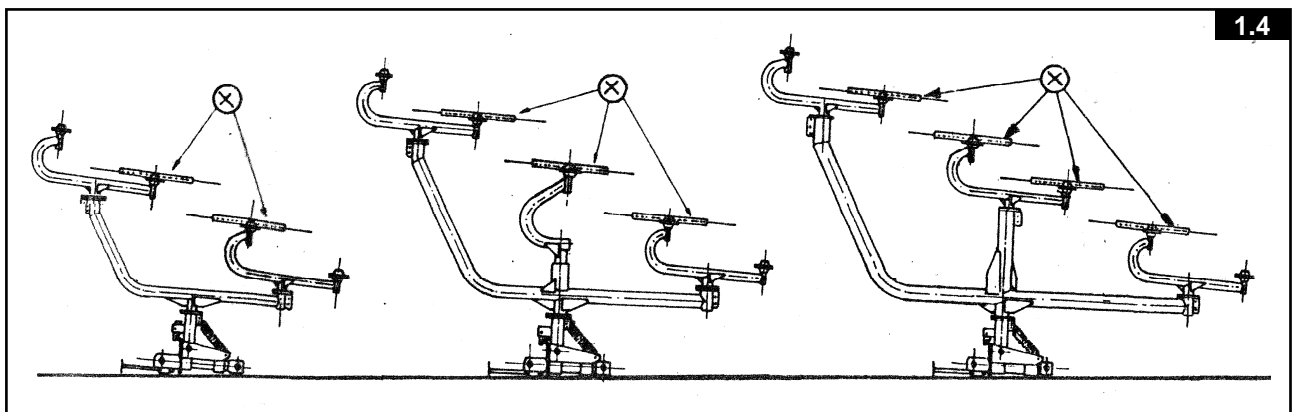
1.7.3

Attach the wheel arms (38) and lock them to the main pipe (37) with pins (36), so that they are on axis with the main pipe (37). For the RP/5 rake, attach also the central arm (55) to the main pipe (37) and retain with bolts (53-54-30) (pict. 1.3)



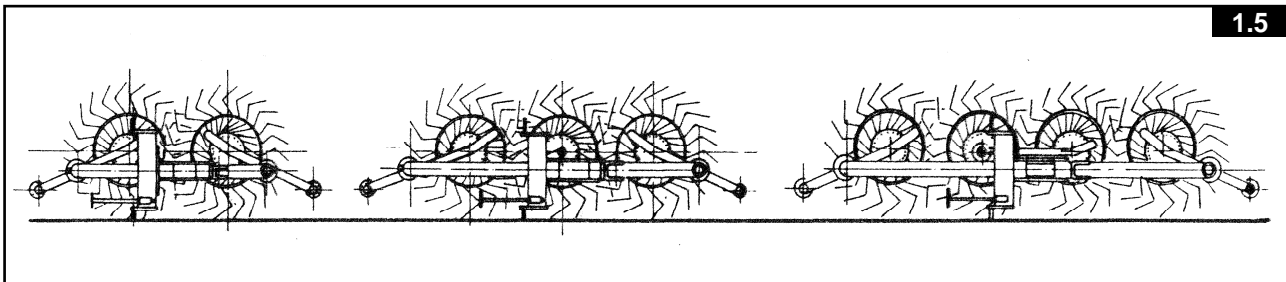
1.7.4

Attach the two central wheels (RP/4) or the three central wheels (RP/5) or the four central wheels (RP/6) to the supplied arm flanges (38-55) and both them with the supplied bolts (pict. 1.4). when bolting the wheels (x) check that the tine clamps (48) are turned toward the hub.



1.7.5

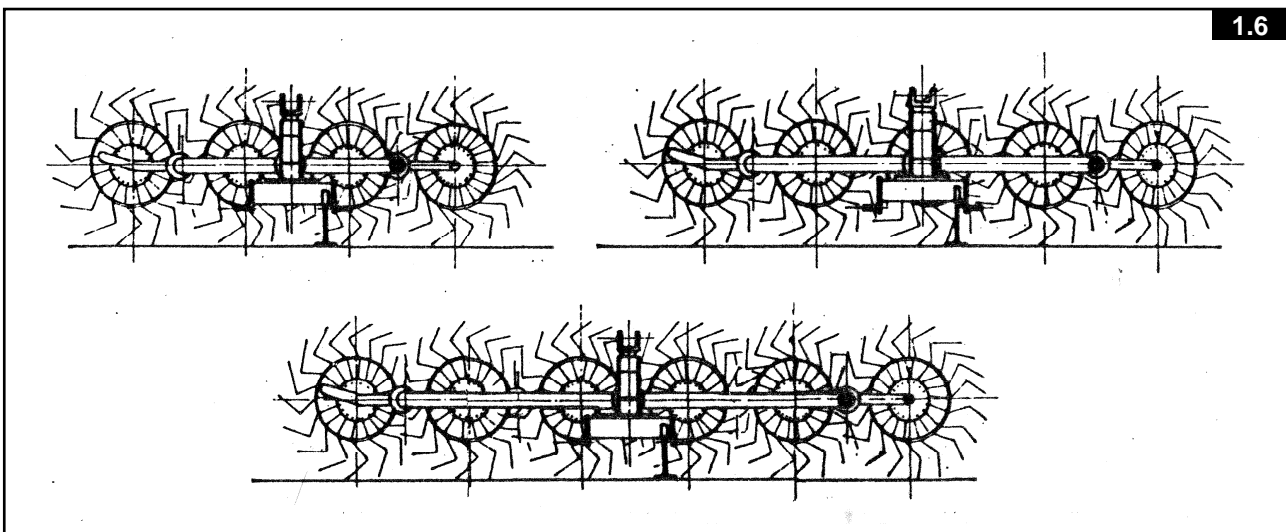
Lift the wheels (x) from the ground until they are in the working position (pict. 1.5).



1.7.6

Unlock the primary structure with the supplied lever (33) and pin (36), turn it by 90 degrees and lock it again with the same pin. Now the is properly positioned on the ground and you only have to attach the remaining wheels as explained above.

The rake is now fully assembled and ready to be mounted to the tractor (pict. 1.6)



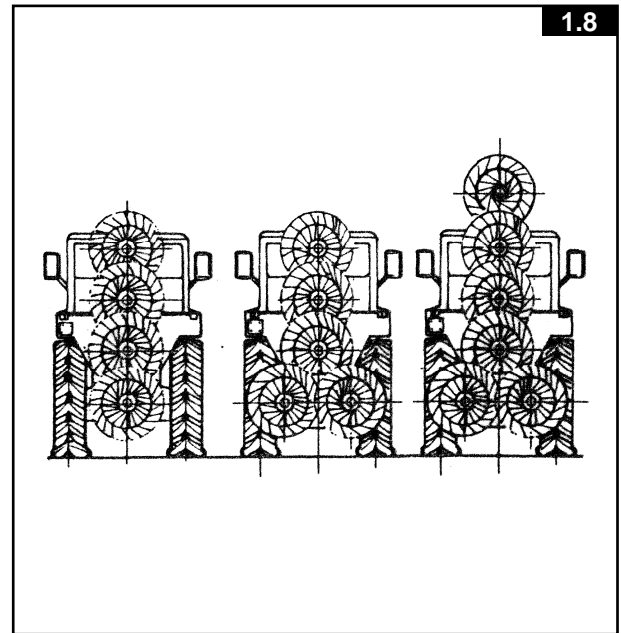
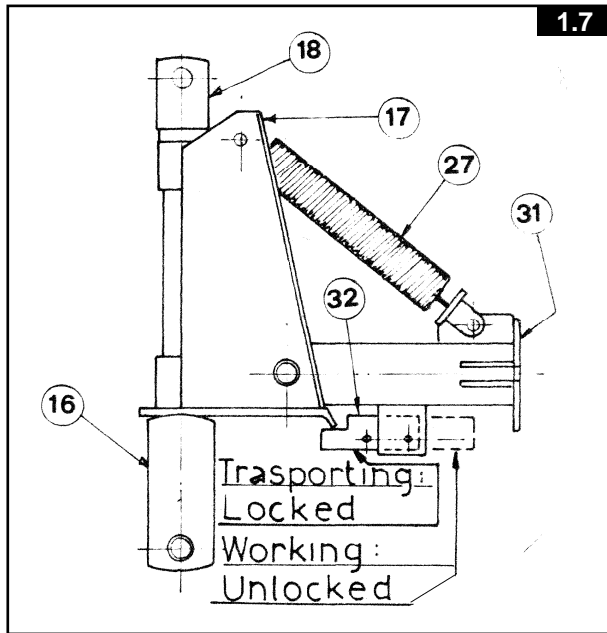
IMPORTANT ! Above are the infractions for the R.H. rake assembly. Please refer to the above instructions also for the L.H. rake assembly. Most parts are interchangeable for both rakes, only the specific parts are marked RIGHT or LEFT

1.8 MOUNTING OF RP/4 AND RP/5 RAKE TO TRACTOR

When the rake is ready to be to the tractor (pict. 1.6) attach the to the pins on both of the primary structure (16).

Next, attach the three to the cap (18) of the pin. Now lift the rake to its setting and for transport lock with the pin (32) for no rake floating (pict. 1.7).

Retain the part (17) to the crossbar (16) with the pin (19) into hole 1 (pict. 3.1) of the above said crossbar. Now turn the main, pipe (37) the to the vertical position for transport (pict. 1.8).



IMPORTANT ! Never operate the rake with the pin (32) in the locked position. The locked position is for transport only (pict. 1.7).

2 RP/8-RP/10 AND RP/12 V-RAKE ASSEMBLY INSTRUCTIONS

RP/8 and RP/10 and RP/12 V-rakes are made as follows:

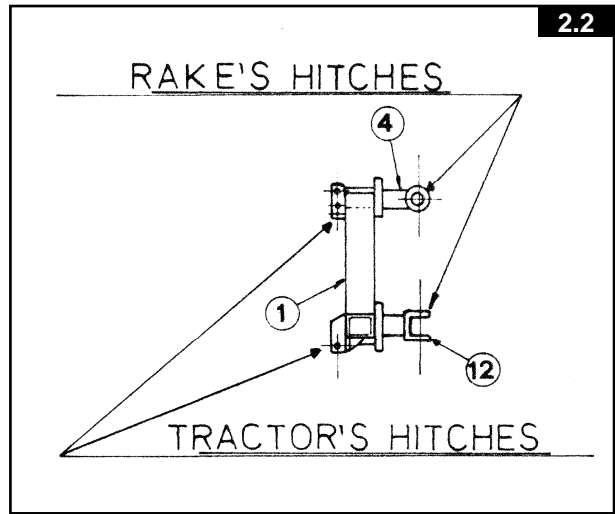
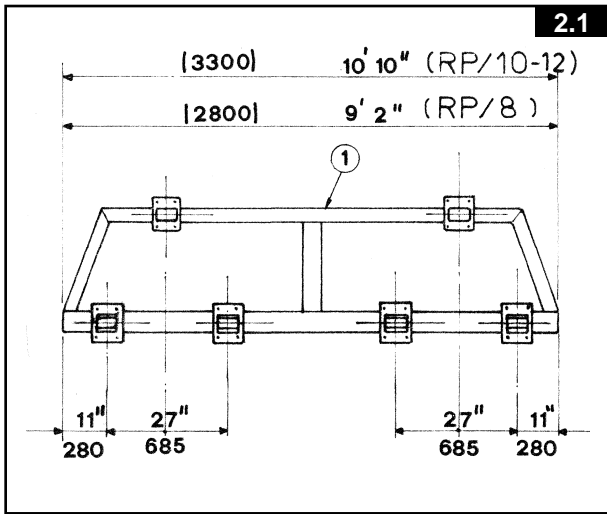
- no 1 main frame (1) complete of hitches (4-12).
- no 1 R.H. RP/4 or RP/5 or RP/6 rake, duly assembled as above.
- no 1 L.H. RP/4 or RP/5 or RP/6 rake, duly assembled as above.

IMPORTANT ! On the R.H. and L.H. RP/4 and RP/5 and RP/6 rakes only the wheel arms and the wheels are specific, all other parts are interchangeable for both rakes. The specific parts are marked RIGHT (for the R.H. rake) and LEFT (for the L.H. rake).

2.1 ASSEMBLING

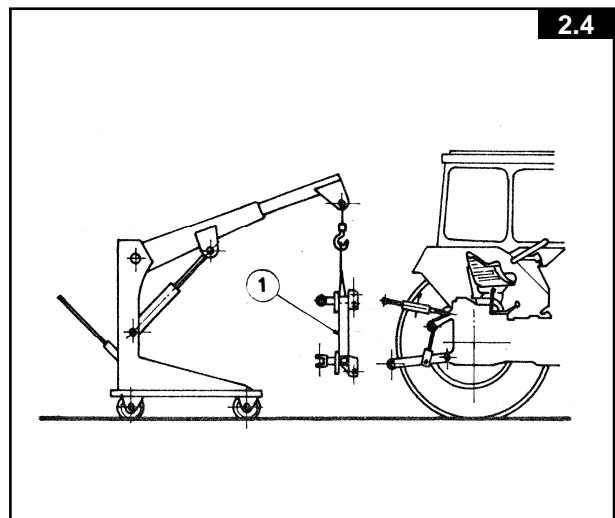
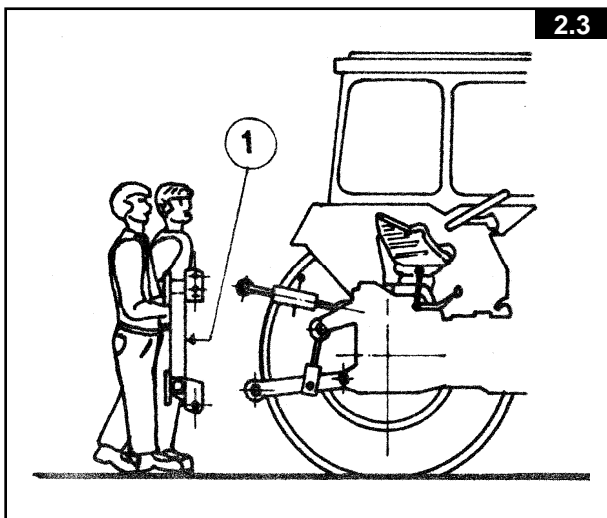
2.1.1

Attach the hitches (4-12) and relevant counterplates (5) to both ends of the main frame (1) - in the position show in picture 2.1 - with bolts (6-7-8) Attach hitches (4-12) to the opposite side of the tractor's hitches welded on the frame (1) (pict. 2.2).



2.1.2

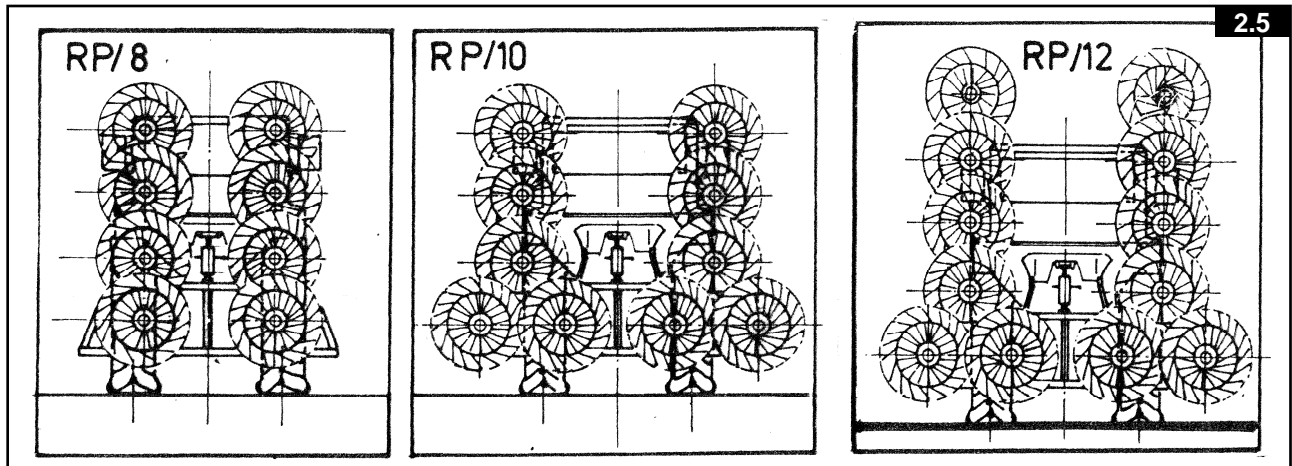
Next, manually (pict. 2.3) or with a crane (pict. 2.4) lift the main frame (1) and bolt it to the tractor's lifting arms.



2.1.3

Attach hitches (12) of frame (1) to the lateral pins welded on the primary structure (16) of rake with the pins (11) the split pins (10). Attach the upper hitch (4) to the cap (18) the pin (9) and the split pin (10).

IMPORTANT ! For the V-rake transport please refer to the RP/4 and RP/5 and RP/6 rake transport. Picture 2.5 below show the transport position of RP/8 and RP/10 and RP/12 V-rakes.

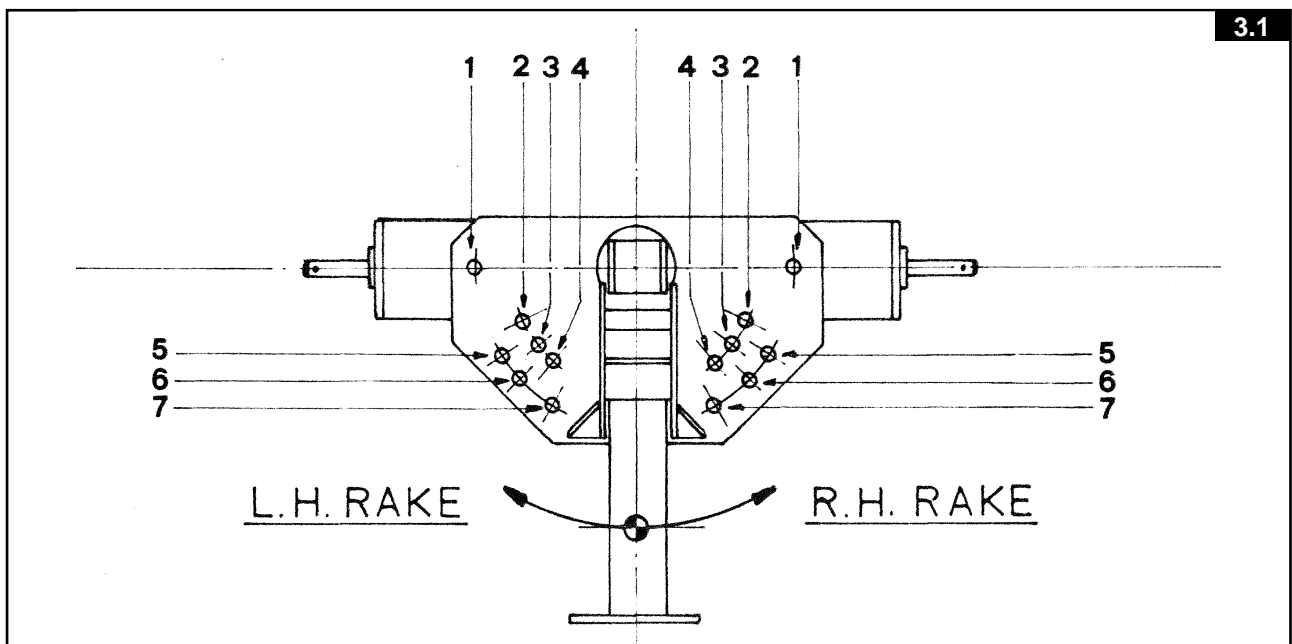


3 ON THE FIELD WITH RP/4-RP/5 AND RP/6

Before operating the rake and after you have reached the field, unlock pin (32) (pict. 1.7 and relevant notes). This will enable the rake to float independent of the main frame.

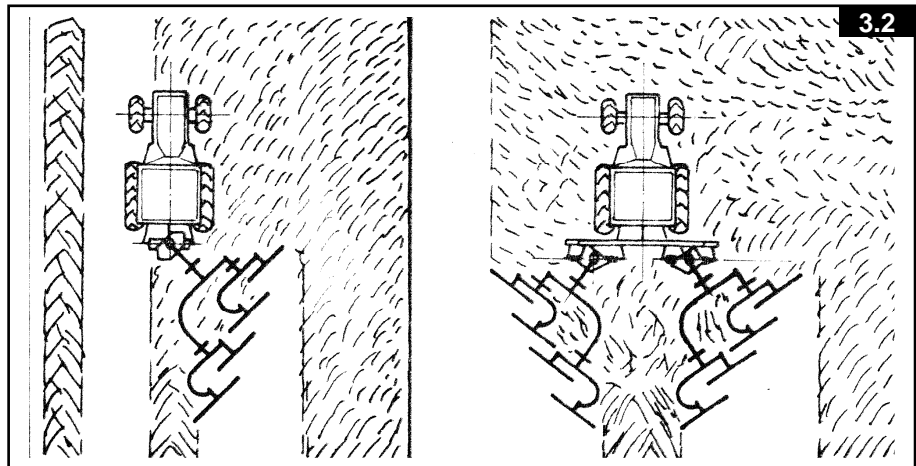
Next, adjust the rake working angle by positioning the pin (19) into the holes 2 to 7 (pict. 3.1). Hole 1 is for transport only.

The rake is suitable for RAKING, SPREADING and TURNING as described below.



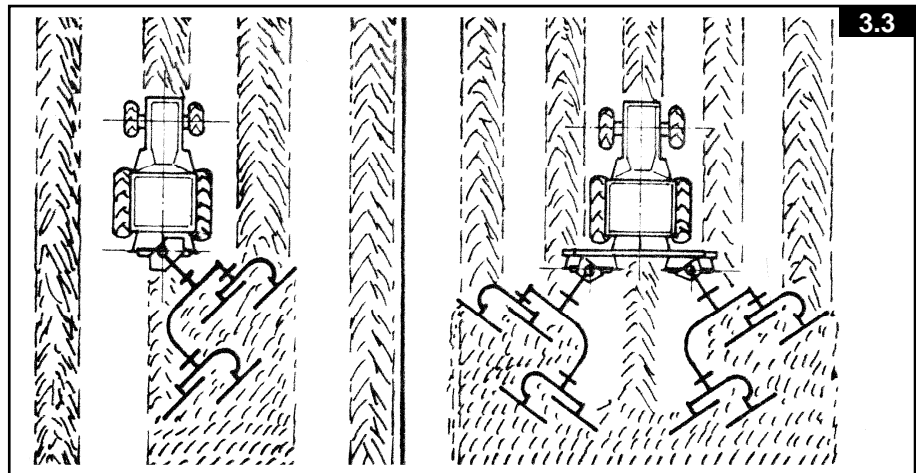
3.1 RAKING

(pict. 3.2) Turn the main pipe (37) with the bend to the left. Turn the wheel arms (38) (on RP/5 turn the wheel arm 55 as well) with the bend to the left.



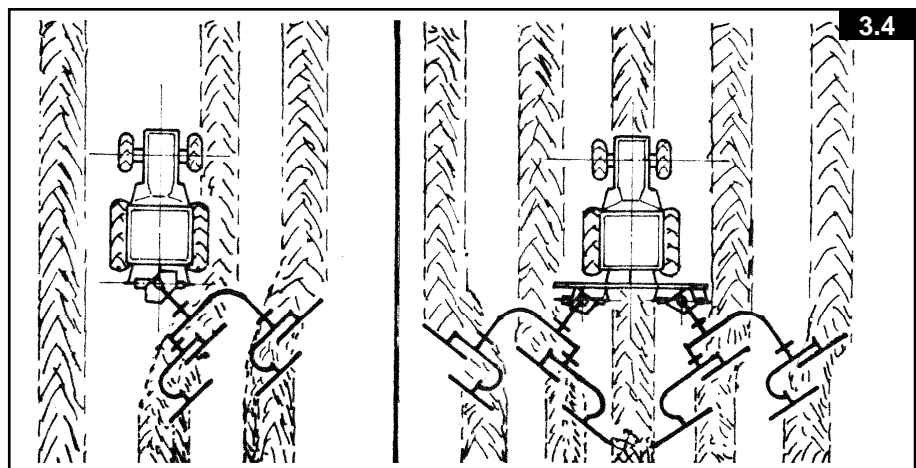
3.2 SPREADING

(pict. 3.3) Turn the main pipe (37) with the bend to the left. Turn the wheel arms (38) (on the RP/5 rake turn the wheel arm 55 as well) with the bend to the right.



3.3 TURNING

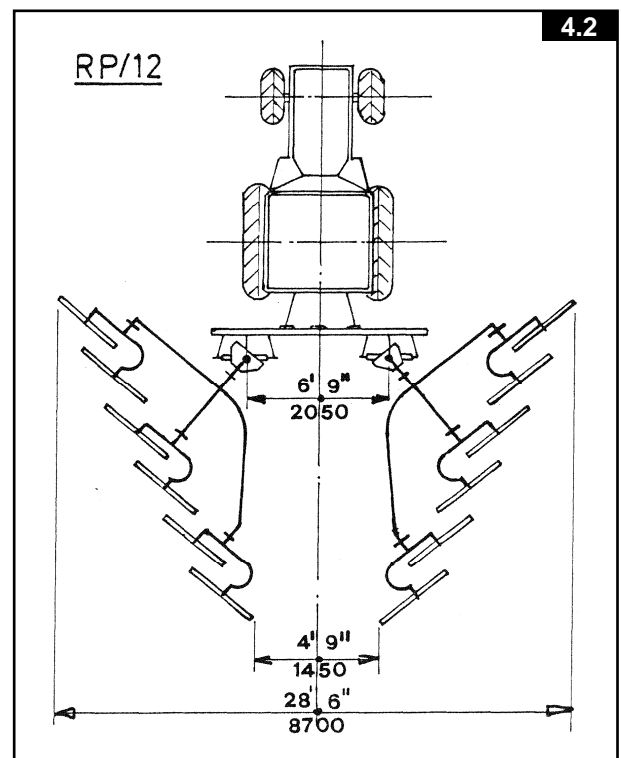
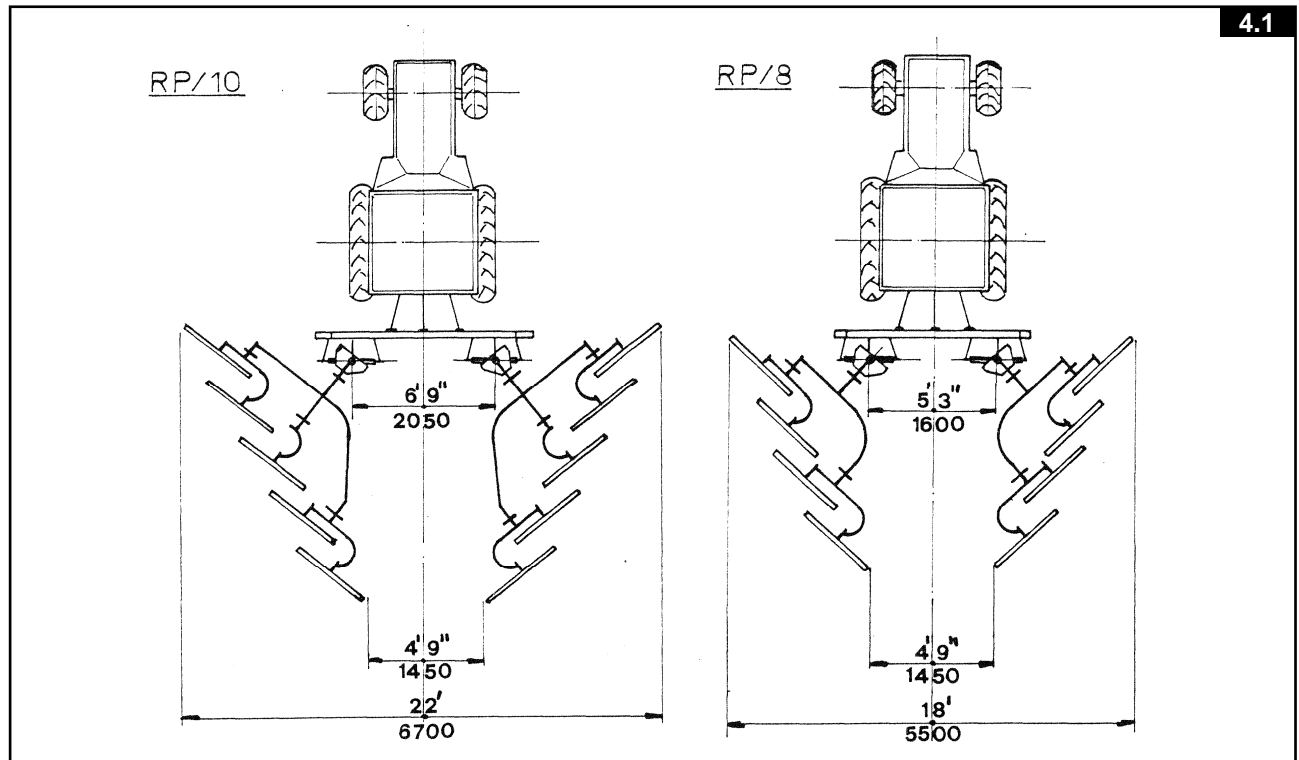
(pict. 3.4) Turn the main pipe (37) with the bend to the right. Turn the wheel arms (38) (on RP/5 turn the wheel arm 55 as well) the bend to the left.



IMPORTANT ! Above we have described how to set a R.H. rake for the different operations. If you to set a LH. rake for the above operations, please refer to pictures 3.2-3.4 of V-rakes.

4 ON THE FIELD WITH RP/8-RP/10 AND RP/12 V-RAKES

RP/8 and RP/10 and RP/12 V-rakes are properly designed for windrowing, as ideal implement to complement the big balers. Slide the RP/4 or RP/5 or RP/6 on the frame (1) to get different working widths. Below (pict. 4.1-4.2) the ideal positioning of the rake for a swath suitable for a 55 pick-up baler.



5 FEATURES

Our hayrakes are basically made of a primary structure of bent steel pipes, which make the Implement particularly sturdy and flexible. Tines are also very flexible, many are the possible adjustments of the rake, and the implement can work fast and successfully even on slopes or on stony and rough soils. The wheel hubs are made of pressed steel and are equipped with taper roller bearings, protected with a dust cover, so that the wheels can properly turn.

6 MAINTENANCE

On our rakes no maintenance is required. As a matter of fact no maintenance is required for all gearings, wheel hubs (equipped with 1st quality taper roller bearings and protected with a dust cover) and all setting operations. No special tools are therefore required for servicing.

However, when the season is over, we recommend to clean the implement, to protect it from rust by oiling and store it until next season.

IMPORTANT ! We recommend the use of our original spare parts only, to get your implement working well for a long time. By ordering spare parts please always refer to the parts breakdown provided with this manual.
Every our rake is provided with an identification label, as follows:

7 Machine identification data and conformity declaration

The machine is identified by means of the following technical data:

- Type of machine
- Registration number
- Year of manufacture
- Weight

7.1

stamped on the rating plate fastened to the frame of the machine. This data should be mentioned when requesting any replacements or information.



TROUBLES	CAUSES	REMEDIES
1) Wheel does not unload hay.	1) New tine, too much paint on it. 2) Mud on tine point due to moist soil.	1) Have the wheels be turning on gravelly soil until the tine is clean again. 2) The wheels are too close to the ground.
2) Tine failure.	1) Going backwards with wheels not lifted. 2) Too much pressure on the wheels. 3) Tine rusted.	1) Lift the wheels before going backwards. 2) Lightly lift the rake. 3) Protect it by oiling.
3) The rake does not collect the hay.	1) The wheel is too much inclined to the ground. 2) Tine worn out.	1) By setting the 3rd point arm, bring the wheel vertical to the ground. 2) Replace it. We recommend to replace all tines for uniform height.
4) Too much floating of wheels.	1) Wheels too far from ground.	1) Lightly lower the rake.
5) Bent tine.	1) Going backwards with the wheels not lifted. 2) Too much speed on rough soil. 3) Going across deep and narrow ditches or prominences. 4) Too much weight on the wheels.	1) Lift the wheels when going backwards 2) Reduce speed. 3) Reduce speed. 4) Lightly lift the rake.

RP/4 RAKE
RP/8 V-RAKE

TABLE NO 920.255

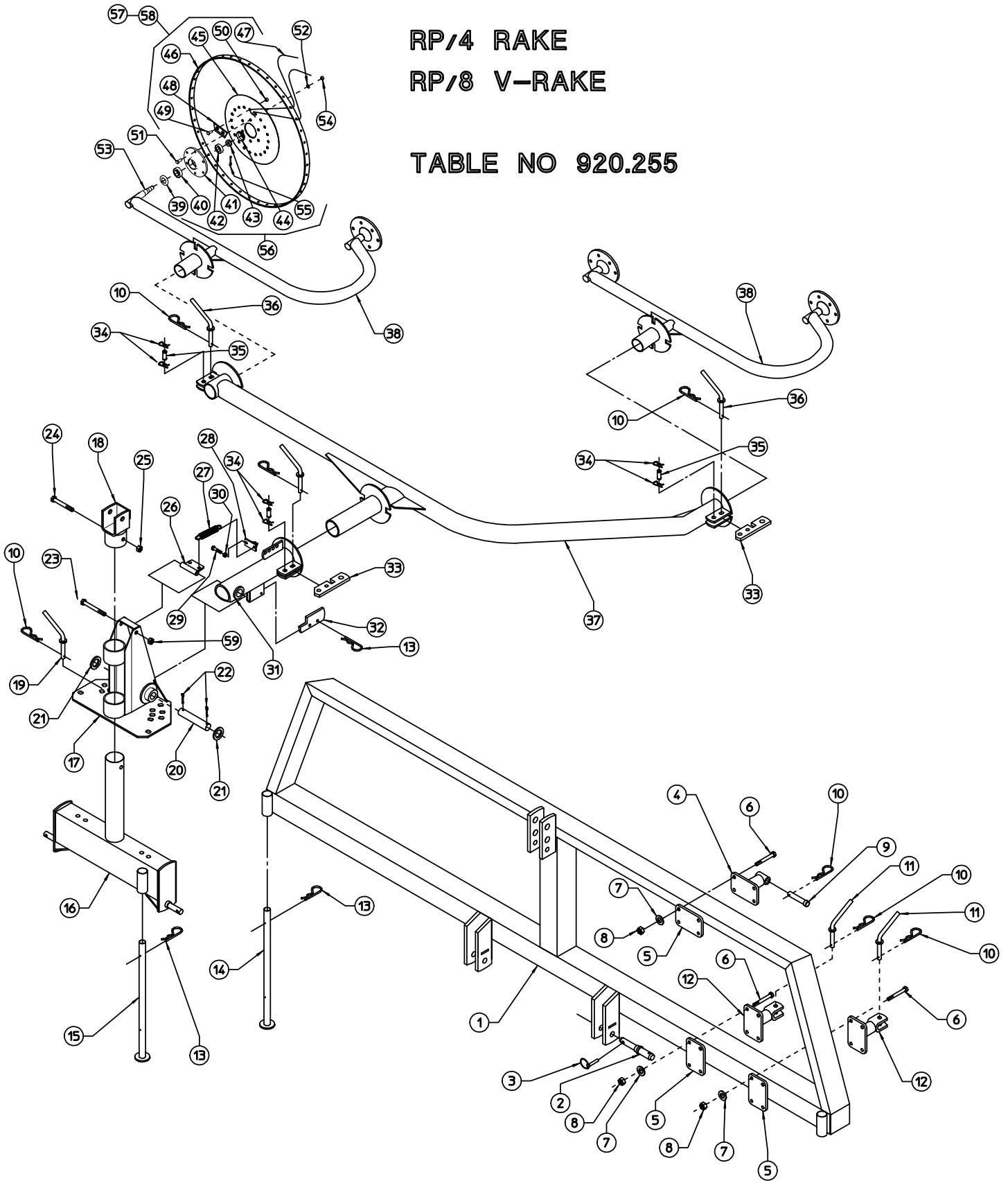


TABLE PART NO 920.255

ITEM	Q.ty	PART NO	DESCRIPTION	NOTE
1	1	200.055	RP/8 FRAME	
2	2	200.047	PIN	
3	2	600.017	SPLIT PIN	
4	2	200.056	UPPER LINKAGE	
5	6	200.057	COUNTERPLATE	
6	24	600.001	SCREW M12x140	
7	24	600.018	SPRING WASHER	
8	24	600.008	NUT	
9	2	200.058	3RD POINT HITCH	
10	10	600.019	SPLIT PIN	
11	4	200.059	PIN	
12	4	200.060	LOWER LINKAGE	
13	4	600.020	SPLIT PIN	
14	2	200.061	PARKING STAND, FRAME	
15	1(2)	200.062	PARKING STAND, BASE	
16	1(2)	210.369	BASE	
17	1(2)	200.064	SUPPORT	
18	1(2)	200.065	CAP	
19	1(2)	200.035	PIN	
20	1(2)	200.067	PIN	
21	2(4)	600.021	WASHER	
22	2(4)	600.022	SPLIT PIN	
23	1(2)	610.018	SCREW M14x120	
24	1(2)	600.003	SCREW M14x100	
25	1(2)	600.051	NUT	
26	1(2)	200.068	UPPER LINKAGE, SPRING	
27	2(4)	200.069	SPRING	
28	1(2)	200.070	UPPER LINKAGE, SPRING	
29	1(2)	600.004	SCREW M12x30	
30	1(2)	600.052	NUT	
31	1(2)	200.071	SWINGING PIPE	
32	1(2)	200.072	LOCK DEVICE	
33	3(6)	200.073	LEVER	
34	6(12)	600.023	SNAP RING	
35	3(6)	200.074	PIN	
36	3(6)	200.075	PIN	
37	1(2)	210.571	RP/4 MAIN PIPE	
38	2(4)	200.077	WHEEL ARM, RH	
38a	2(4)	200.078	WHEEL ARM, LH	
39	4(8)	600.011	DUST COVER	
40	4(8)	600.012	BEARING	
41	4(8)	600.013	WHEEL HUB	
42	4(8)	600.014	BEARING	
43	4(8)	600.015	SELF LOCKING NUT	
44	4(8)	600.016	SAFETY CAP	
45	4(8)	200.010	FLANGE	
46	4(8)	200.009	RIM	
47	160/320	210.620	TINE DIA. 0,256" (6,5mm)	RP/4-RP/8 V
47	160/320	210.621	TINE DIA. 0,276" (7mm)	RP/4-RP/8 V
48	40(80)	200.012	TINE CAP	
49	80(160)	600.005	SCREW	
50	80(160)	600.029	NUT	
51	24(48)	600.006	SCREW M10x25	
52	24(48)	600.024	SPRING WASHER	
53	4(8)	205.277	PIN	
54	24(48)	600.010	NUT	
55	4(8)	600.301	SPLIT PIN	
56	4(8)	205.041	HUB ASSY	
57	4	210.180	WHEEL ASSY, RH	TINE DIA. 0,276" (7mm)
57a	4	210.181	WHEEL ASSY, LH	TINE DIA. 0,276" (7mm)
58	4	210.182	WHEEL ASSY, RH	TINE DIA. 0,256" (6,5mm)
58a	4	210.183	WHEEL ASSY, LH	TINE DIA. 0,256" (6,5mm)
59	1(2)	600.075	NUT	

RP/5 RAKE
RP/10 V-RAKE

TABLE NO 920.254

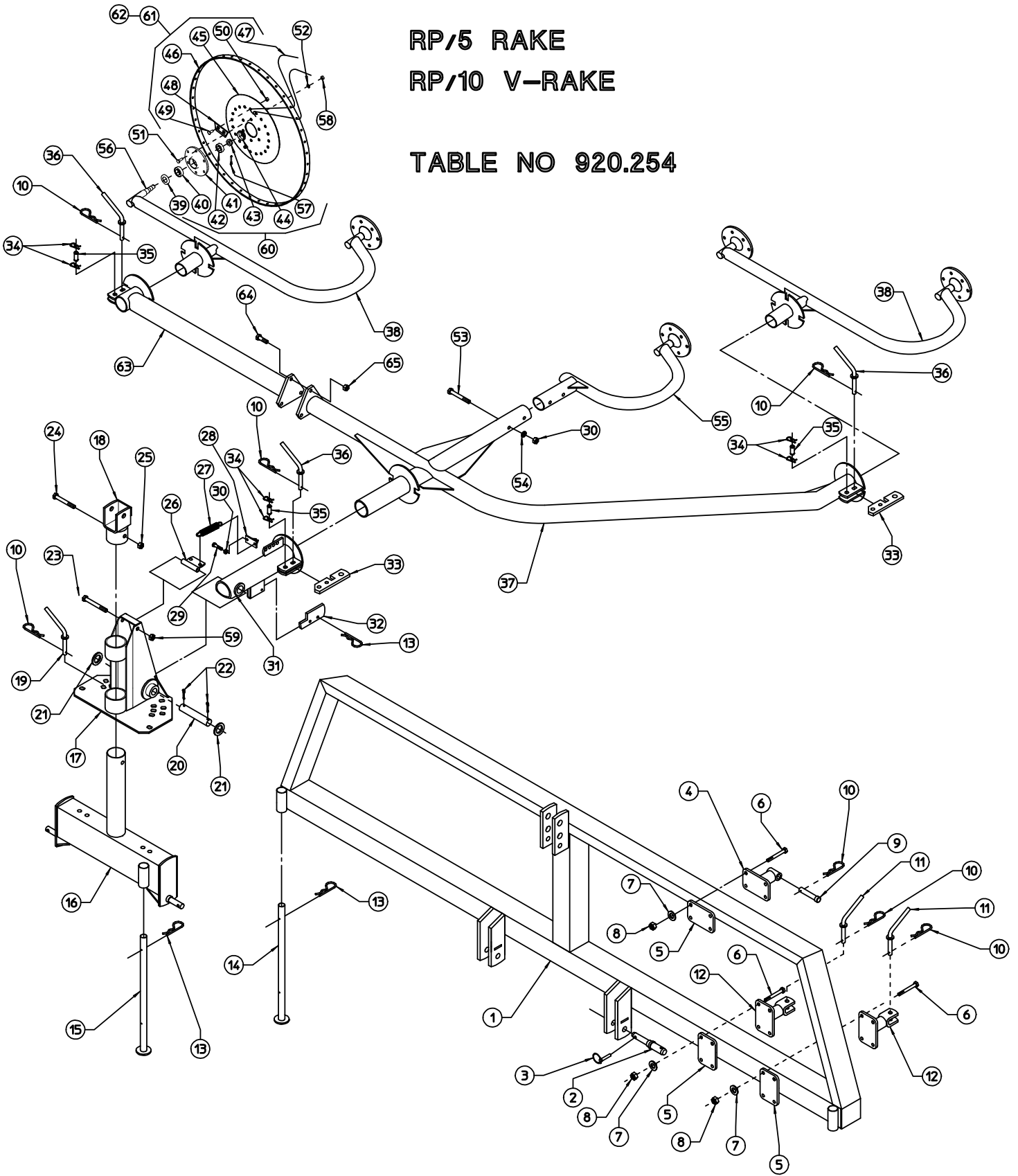


TABLE PART NO 920.254				
ITEM	Q.ty	PART NO	DESCRIPTION	NOTE
1	1	200.081	RP/10 FRAME	
2	2	200.047	PIN	
3	2	600.017	SPLIT PIN	
4	2	200.056	UPPER LINKAGE	
5	6	200.057	COUNTERPLATE	
6	24	600.001	SCREWM 12x140	
7	24	600.018	SPRING WASHER	
8	24	600.008	NUT	
9	2	200.058	3RD POINT HITCH	
10	10	600.019	SPLIT PIN	
11	4	200.059	PIN	
12	4	200.060	LOWER LINKAGE	
13	4	600.020	SPLIT PIN	
14	2	200.061	PARKING STAND, FRAME	
15	1(2)	200.062	PARKING STAND, BASE	
16	1(2)	210.369	BASE	
17	1(2)	200.064	SUPPORT	
18	1(2)	200.065	CAP	
19	1(2)	200.035	PIN	
20	1(2)	200.067	PIN	
21	2(4)	600.021	WASHER	
22	2(4)	600.022	SPLIT PIN	
23	1(2)	610.018	SCREWM 14x120	
24	1(2)	600.003	SCREWM 14x100	
25	1(2)	600.051	NUT	
26	1(2)	200.068	UPPER LINKAGE, SPRING	
27	2(4)	200.069	SPRING	
28	1(2)	200.070	UPPER LINKAGE, SPRING	
29	1(2)	600.004	SCREWM 12x30	
30	3(6)	600.052	NUT	
31	1(2)	200.071	SWINGING PIPE	
32	1(2)	200.072	LOCK DEVICE	
33	3(6)	200.073	LEVER	
34	6(12)	600.023	SNAP RING	
35	3(6)	200.074	PIN	
36	3(6)	200.075	PIN	
37	1(2)	210.199	RP/5 MAIN PIPE	
38	2(4)	200.077	WHEEL ARM, RH	
38a	2(4)	200.078	WHEEL ARM, LH	
39	5(10)	600.011	DUST COVER	
40	5(10)	600.012	BEARING	
41	5(10)	600.013	WHEEL HUB	
42	5(10)	600.014	BEARING	
43	5(10)	600.015	SELF LOCKING NUT	
44	5(10)	600.016	SAFETY CAP	
45	5(10)	200.010	FLANGE	
46	5(10)	200.009	RIM	
47	200/400	210.620	TINE DIA. 0,256" (6,5mm)	RP/5-RP/10 V
47	200/400	210.621	TINE DIA. 0,276" (7mm)	RP/5-RP/10 V
48	50(100)	200.012	TINE CAP	
49	100(200)	600.005	SCREW	
50	100(200)	600.029	NUT	
51	30(60)	600.006	SCREWM 10x25	
52	30(60)	600.024	SPRING WASHER	
53	2(4)	600.007	SCREWM 12x85	
54	2(4)	600.018	SPRING WASHER	
55	1	200.079	ARM, RH	
55a	1	200.080	ARM, LH	
56	5(10)	205.277	PIN	
57	5(10)	600.301	SPLIT PIN	
58	30(60)	600.010	NUT	
59	4(8)	600.075	NUT	
60	5(10)	205.041	HUB ASSY	
61	5	210.180	WHEEL ASSY, RH	TINE DIA. 0,276" (7mm)
61	5	210.181	WHEEL ASSY, LH	TINE DIA. 0,276" (7mm)
62	5	210.182	WHEEL ASSY, RH	TINE DIA. 0,256" (6,5mm)
62	5	210.183	WHEEL ASSY, LH	TINE DIA. 0,256" (6,5mm)
63	1(2)	210.198	RP/5 PIPE	
64	3(6)	600.310	SCREWM 14x40	

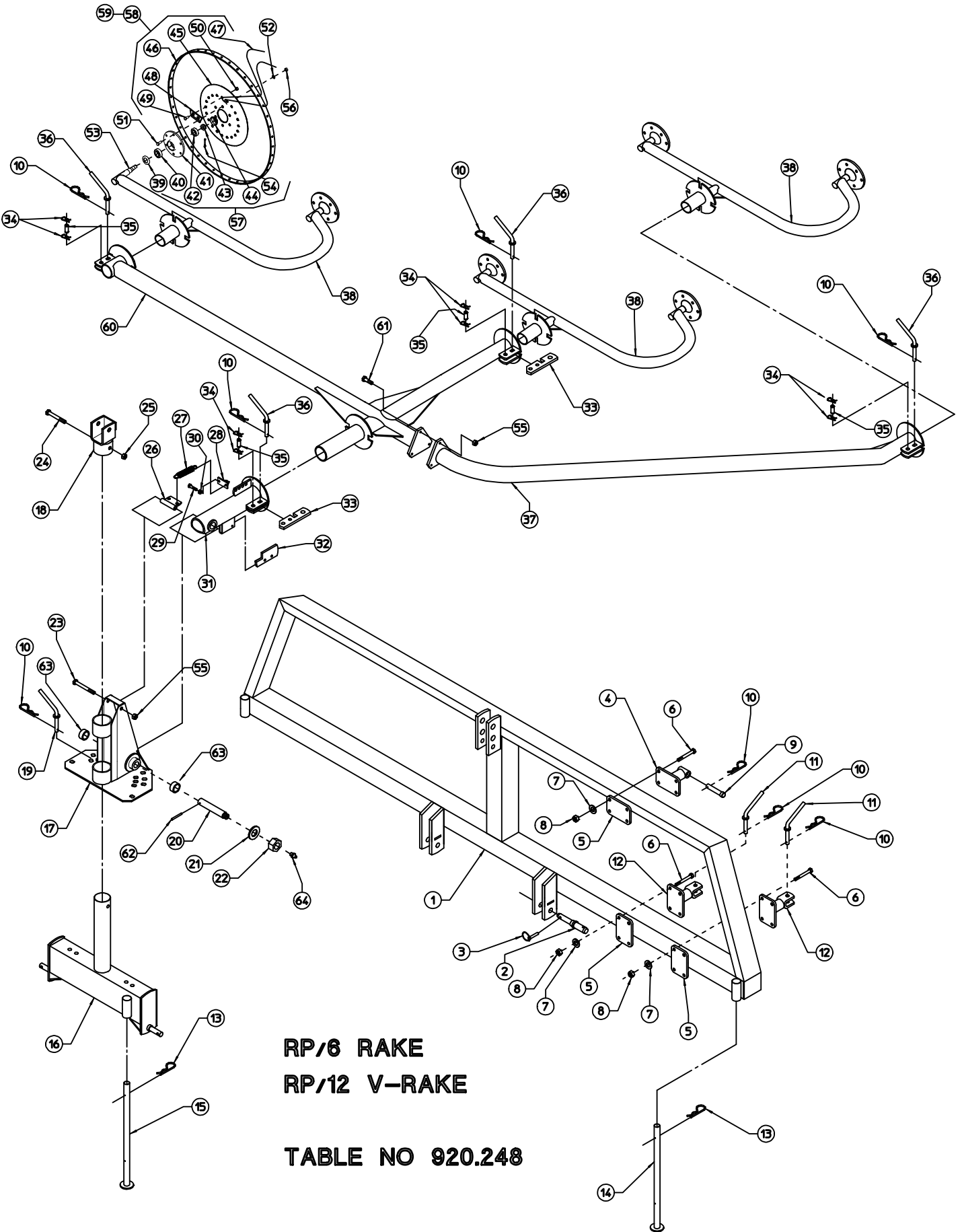
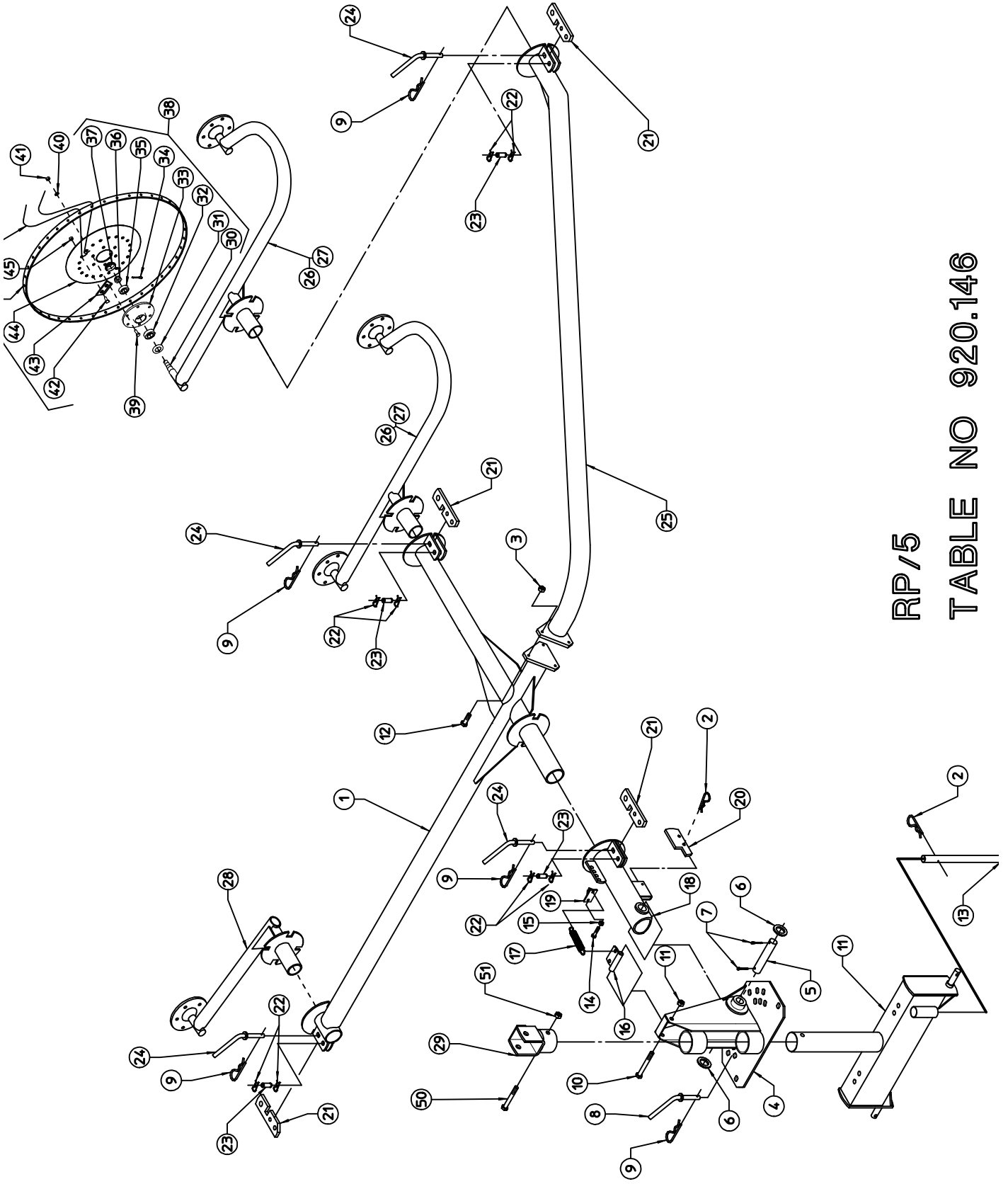
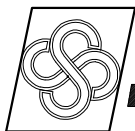


TABLE PART NO 920.248				
ITEM	Q.ty	PART NO	DESCRIPTION	NOTE
1	1	200.081	FRAME	
2	2	200.047	PIN	
3	2	600.017	SPLIT PIN	
4	2	200.056	UPPER LINKAGE	
5	6	200.057	COUNTERPLATE	
6	24	600.001	SCREW M12x140	
7	24	600.018	SPRING WASHER ϕ 13 DIN 127B	
8	24	600.008	NUT M12	
9	2	200.058	PIN	
10	11	600.019	SPLIT PIN	
11	4	200.059	PIN	
12	4	200.060	LOWER LINKAGE	
13	4	600.020	SPLIT PIN	
14	2	200.061	PARKING STAND, FRAME	
15	1(2)	230.163	PARKING STAND, BASE	
16	1(2)	210.376	BASE	
17	1(2)	230.202	SUPPORT	
18	1(2)	200.094	CAP	
19	1(2)	200.035	PIN	
20	1(2)	230.203	PIN	
21	1(2)	600.245	WAHER ϕ 25	
22	1(2)	600.725	NUT M24	
23	1(2)	610.018	SCREW M14x120 DIN 931 8.8	
24	1(2)	600.003	SCREW M14x100 DIN 931 8.8	
25	1(2)	600.051	NUT M14	
26	1(2)	200.121	UPPER LINKAGE, SPRING	
27	2(4)	300.015	SPRING	
28	1(2)	200.122	LOWER LINKAGE, SPRING	
29	1(2)	600.004	SCREW M12x30 DIN 933 8.8	
30	1(2)	600.052	NUT M12 DIN 934	
31	1(2)	230.171	SWINGING PIPE	
32	1(2)	200.072	LOCK DEVICE	
33	4(8)	200.073	LEVER	
34	8(16)	600.023	SNAP RING E 15 DIN 471	
35	4(8)	200.074	PIN	
36	4(8)	200.075	PIN	
37	1(2)	210.612	MAIN PIPE	
38	3(6)	200.077	RH WHEEL ARM	
38a	3(6)	200.078	LH WHEEL ARM	
39	6(12)	600.011	DUST COVER	
40	6(12)	600.012	BEARING 30205	
41	6(12)	600.013	WHEEL HUB	
42	6(12)	600.014	BEARING 30204	
43	6(12)	600.015	NUT M18x1,5	
44	6(12)	600.016	SAFETY CAP	
45	6(12)	200.010	FLANGE	
46	6(12)	200.009	RIM	
47	240(480)	210.620	TINE ϕ 0,256"-6,5 mm	
47	240(480)	210.621	TINE ϕ 0,276"-7 mm	
48	60(120)	200.012	TINE CLAMP	
49	120(240)	600.005	SCREW M10x25 DIN 603 6.8	
50	120(240)	600.029	NUT M10 DIN 980	
51	60(120)	600.006	SCREW M10x25 DIN 933 8.8	
52	60(120)	600.024	SPRING WASHER ϕ 10,5 DIN 127B	
53	6(12)	205.277	PIN	
54	6(12)	600.301	SPLIT PIN	
55	1(2)	600.075	NUT M14 DIN 980	
56	60(120)	600.010	NUT M10 DIN 934	
57	6(12)	205.041	HUB ASSY	
58	3(6)	210.180	RH WHEEL ASSY (TINE ϕ 0,276")	
58	3(6)	210.181	LH WHEEL ASSY (TINE ϕ 0,276")	
59	3(6)	210.182	RH WHEEL ASSY (TINE ϕ 0,256")	
59	3(6)	210.183	LH WHEEL ASSY (TINE ϕ 0,256")	
60	1(2)	210.613	PIPE	
61	3(6)	600.310	SCREW M14x40 DIN 933 8.8	
62	3(6)	600.075	NUT M14 DIN 980	
63	1(2)	620.629	SPRING PIN ϕ 8x55	
64	4(8)	600.808	BUSH	
65	1(2)	600.034	GREASE NIPPLE M8	



RP/5
TABLE NO 920.146

TABLE PART NO 920.146				
ITEM	Q.ty	PART NO	DESCRIPTION	NOTE
1	1	210.575	PIPE	
2	2	600.020	SPLIT PIN	
3	3	600.075	NUT M14 DIN 980	
4	1	200.064	SUPPORT	
5	1	200.067	PIN	
6	2	600.021	WASHER D.23 DIN 125A	
7	2	600.022	SPLIT PIN	
8	1	200.222	PIN	
9	5	600.019	SPLIT PIN	
10	1	610.018	SCREW M14x120 DIN 9318.8	
11	1	210.369	BASE	
12	3	600.310	SCREW M14x40 DIN 933 8.8	
13	1	200.062	PARKING STAND	
14	1	600.004	SCREW M12x30 DIN 933 8.8	
15	1	600.008	NUT M12 DIN 934-8	
16	1	200.068	UPPER LINKAGE	
17	2	200.069	SPRING	
18	1	200.071	SWINGING PIPE	
19	1	200.070	LOWER LINKAGE, SPRING	
20	1	200.072	LOWER DEVICE	
21	4	200.073	LEVER	
22	8	600.023	SNAP RING E15 DIN 471	
23	4	200.074	PIN	
24	4	200.075	PIN	
25	1	210.576	MAIN PIPE	
26	2	200.077	WHEEL ARM, RH	
27	2	200.078	WHEEL ARM, LH	
28	1	210.067	ARM	
29	1	200.065	CAP	
30	5	205.277	PIN	
31	5	600.011	DUST COVER	
32	5	600.012	BEARING 30205	
33	5	600.013	WHEEL HUB	
34	5	600.014	BEARING 30204	
35	5	600.015	SELF LOCKING NUT M18x1.5-6	
36	5	600.301	SPLIT PIN	
37	5	600.016	SAFETY CAP	
38	5	205.041	HUB ASSY	
39	30	600.006	SCREW M10x25 DIN 933 8.8	
40	30	600.024	SPRING WASHER D 10.5	
41	30	600.010	NUT M10 DIN 934-8	
42	100	600.005	SCREW	
43	50	200.012	TINE CLAMP	
44	5	200.010	FLANGE	
45	100	600.029	NUT M10 DIN 980	
46	5	200.009	RM	
47	200	210.620	TINE DIA. 0,256" (6,5mm)	
47	200	210.621	TINE DIA. 0,276" (7mm)	
48	5	210.180	WHEEL ASSY, RH	TINE DIA. 0,276" (7mm)
48	5	210.181	WHEEL ASSY, LH	TINE DIA. 0,276" (7mm)
49	5	210.182	WHEEL ASSY, RH	TINE DIA. 0,256" (6,5mm)
49	5	210.183	WHEEL ASSY, LH	TINE DIA. 0,256" (6,5mm)
50	1	600.003	SCREW M14x100 DIN 9318.8	
51	1	600.051	NUT M14 DIN 934	



sitrex[®] AGRICULTURAL MACHINERY

Zona Industriale-Viale Grecia, 8
06018 TRESTINA-(Perugia)-ITALY
Tel. +39.075.8540021-Telefax +39.075.8540523
e-mail: sitrex@sitrex.it www.sitrex.com

