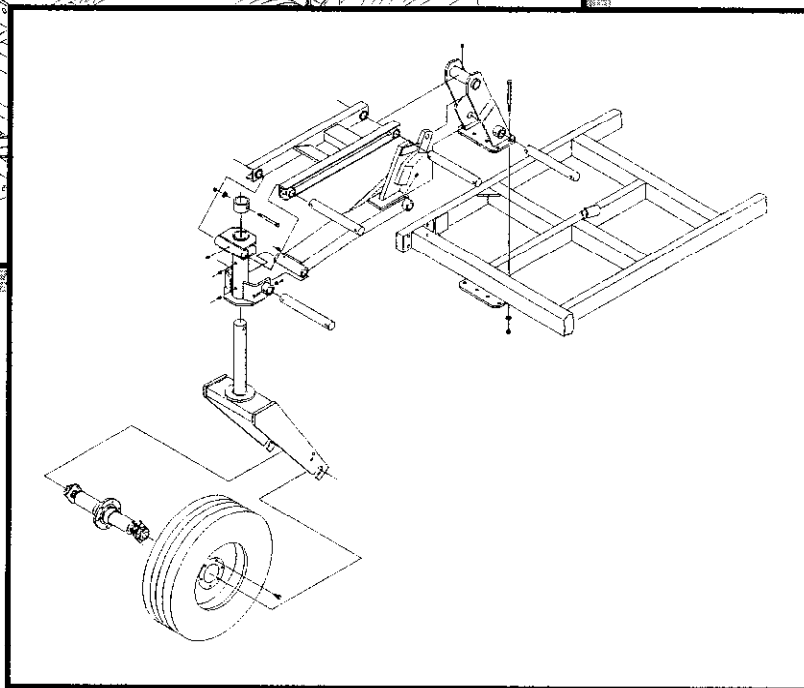
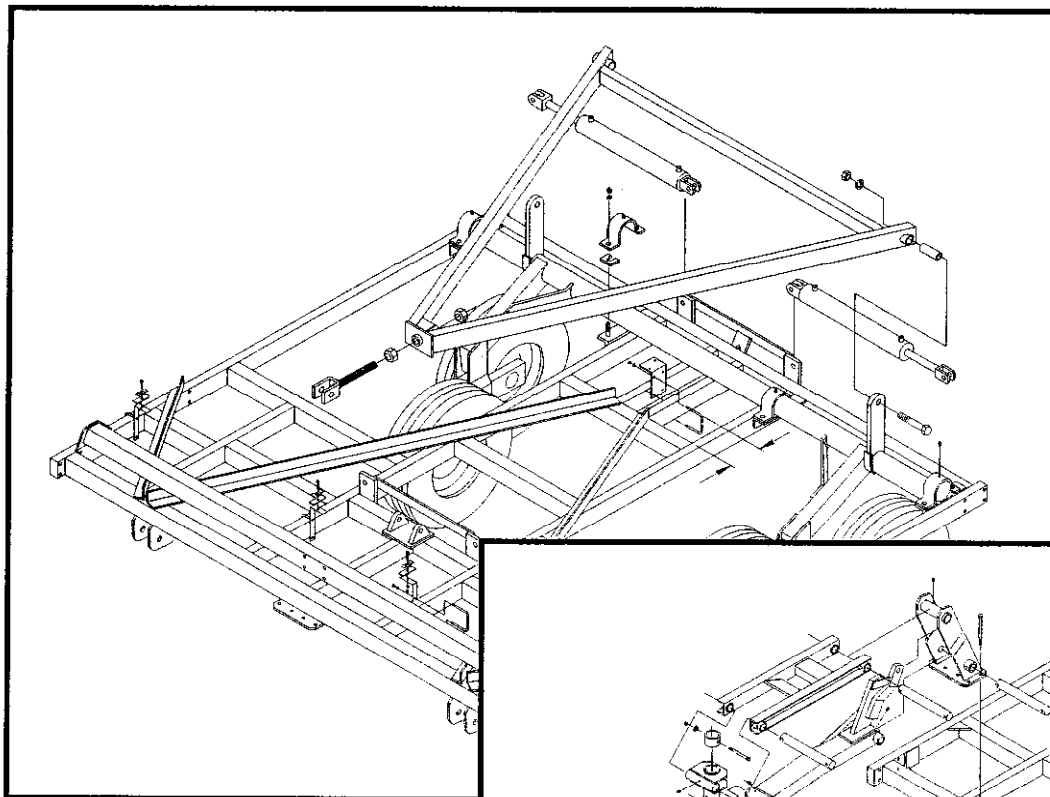




# WIL-RICH®

## QUAD-5 PARTS



 **WIL-RICH**

PO Box 1030

Wahpeton, ND 58074

PH (701) 642-2621

Fax (701) 642-3372

## Orientation

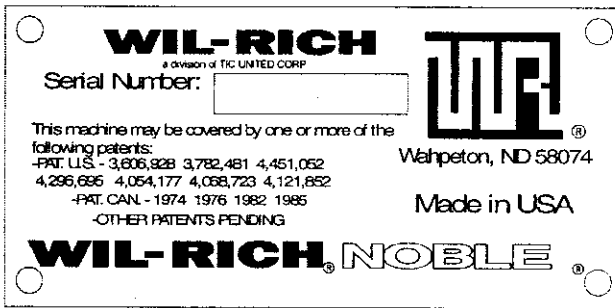
Any reference to left (L) or right (R) sides or components is to be understood as being viewed from behind the implement and looking forward.

## Serial Number Break

Every implement has a serial number located on the frame. These serial numbers are consecutively assigned to the implements as they are manufactured. To aid in part ordering, we reference to the serial number at the point the change occurred to provide an accurate means of determining the proper parts. See contents graphic, page 3, for location.

## Modifications

It is the policy of WIL-RICH Operations to improve its products whenever possible and practical to do so. We reserve the right to make changes, improvements, and modifications at any time without incurring the obligation to make such changes, improvements and modifications on any equipment sold previously.



## Contents

General Information .....	2
11' Main Frame .....	3
13' Main Frame (441250+) .....	4
13' Main Frame (441249-) .....	5
16' Main Frame (441250+) .....	6
16' Main Frame (441249-) .....	7
11' Floating Hitch .....	8
13' & 16' Floating Hitch (441250+) .....	9
13' & 16' Floating Hitch (441249-) .....	10
2' Rigid Wing Extension (441250+) .....	12
2' Rigid Wing Extension (441249-) .....	13
7' Wing (441250+) .....	14
7' Wing (441249-) .....	15
9'4" Wing (441250+) .....	16
9'4" Wing (441249-) .....	17
11'8" Wing (441250+) .....	18
11'8" Wing (441249-) .....	19
3' Outer Wing (441250+) .....	20
3' Outer Wing (441249-) .....	21
5' Outer Wing (441250+) .....	22
5' Outer Wing (441249-) .....	23

Wing Lift Link Assy .....	24
Saddle Stub .....	25
8" Gauge Wheel - Wing (441250+) .....	26
8" Gauge Wheel - Wing (441249-) .....	27
9.3" Gauge Wheel - MF (441250+) .....	28
9.3" Gauge Wheel - MF (441249-) .....	29
11' Wing Rest .....	30
13' & 16' Wing Rest .....	31

## WING LIFT HYDRAULICS

11' MF - 7' Wing .....	33
13' MF & 16' MF - 7' Wing (441250+) .....	34
13' MF & 16' MF - 7' Wing (441249-) .....	35
11' MF - 9'4" Wing .....	36
13' MF - 9'4" & 11' 8" Wings (441250+) .....	37
16' MF - 11'8" Wing (441250+) .....	38
13' & 16' MF-9'4" & 11'8" Wings (441249-) .....	39
11'MF - 9'4" w/5' Outer Wing .....	40
13' MF-9'4" w/3' & 5' Outer Wing(441250+) .....	41
13' MF-11'8" w/3' or 5' Outer Wing(441250+) .....	42
13' MF - 9'4" or 11'8" Wings w/3' or 5' Outer Wings (441249-) .....	43
16' MF - 11'8" Wing w/3 'or 5' Outer Wings (441250+) .....	44
16' MF - 11'8" Wing w/3 'or 5' Outer Wings (441249-) .....	45
Tee Block .....	46

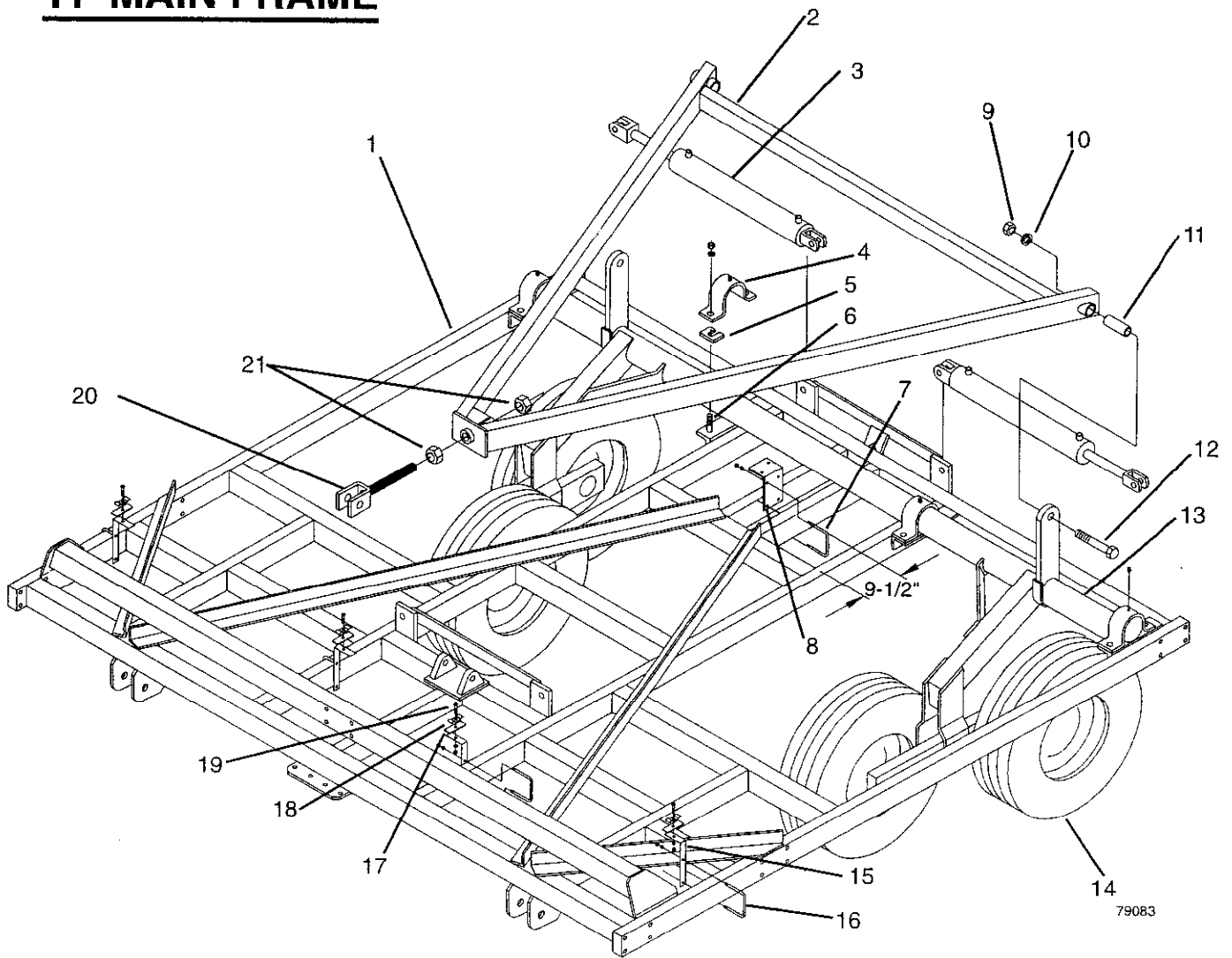
## DEPTH CONTROL HYDRAULICS

11' MF - 7' & 9'4" Wing .....	47
13' MF - 7' & 9'4" Wings (441250+) .....	48
13' MF - 7' & 9'4" Wings (441249-) .....	49
13' & 16' MF - 11'8" Wing (441250+) .....	50
13' & 16' MF - 11'8" Wing (441249-) .....	51

## CYLINDERS

4x8 Top Bypass (Series PX & PB) .....	52
4x9.3 Top Bypass (Series PE & PY) .....	53
3-1/2x24 Standard (Series O & RF) .....	54
4x30 Standard (Series KA & RD) .....	55
C-Shank Assembly .....	56
Hi-Torque Shank Assembly .....	57
Twin Spring Shank Assembly .....	58
Shovels & Spikes .....	59
1-3/4" Hub & Spindle .....	60
2" Hub & Spindle .....	61
Gauge Wheel Hub & Spindle .....	62
Walking Tandem - Wing .....	63
Walking Tandem - Main Frame .....	64
HD Auxiliary Hitch .....	65
Auxiliary Hitches .....	66
Gauge Wheel Scraper .....	67
Scrapers .....	68
Single Point Depth Control .....	69
Clearance Light Kit & SMV .....	70
Decals .....	71
Index .....	72+

# 11' MAIN FRAME



79083

ITEM	PART NO	DESCRIPTION
1	66277	11' 5BQ5 Main Frame
2	66315	11' 5BQ5 Main Adjust Tube
3	51229	4x30 Hyd Cylinder
4	10399	Axle Cap
5	10176	Shim
6	88495	7/8NCx2-1/2 GR5 Bolt
7	88515	3/8NCx4x2-3/4 U-Bolt
8	56536	Manifold Mount
9	88430	1-1/4NC Lock Nut
10	88602	1-1/4 Flat Washer
11	66294	Tube
12	89134	1-1/4NCx7 GR5 Bolt
13	66313	11 5BQ5 Main Axle
14	16290	95Lx15 Wheel Assembly
	10498	15x8 Wheel Rim
	16287	95Lx15 Tubeless Tire 8Ply
	30784	Valve Stem Assembly

ITEM	PART NO	DESCRIPTION
15	13270	Pole Tube Bracket
16	88515	3/8NCx4x2-3/4 U-Bolt
17	15543	Base Plate
18	13215	Tube Clamp
19	88553	3/8NCx1-1/2 GR5 Bolt
20	66310	Center Adjust Rod
21	88685	1-3/8NC Heavy Hex Nut

**Note: Standard nuts and lock washers are not called out. Anything other than standard will be called out.**

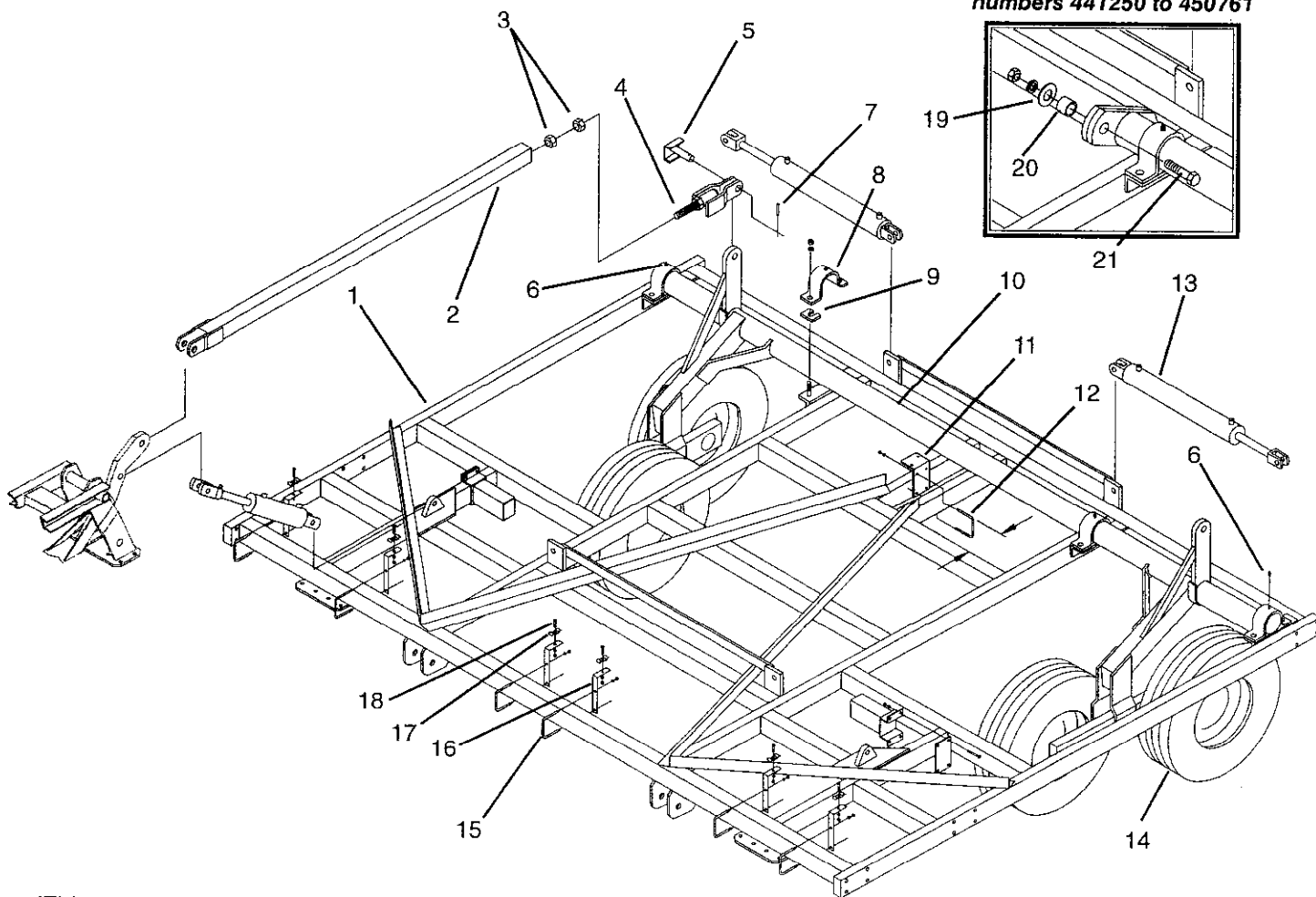
#### STANDARD NUTS AND LOCK WASHERS

88172	1/4NC Nut	88262	1/4 Lock Washer
88103	3/8NC Nut	88362	3/8 Lock Washer
88104	1/2NC Nut	88303	1/2 Lock Washer
88126	5/8NC Nut	88129	5/8 Lock Washer
88110	3/4NC Nut	88130	3/4 Lock Washer
88371	7/8NC Nut	88341	7/8 Lock Washer

# 13' MAIN FRAME

Serial numbers 441250 and up

The following parts 19, 20, 21 are service parts for serial numbers 441250 to 450761



ITEM	PART NO	DESCRIPTION
1	56996	13' 5Bar Q5 Main Frame
2	55749	Center Adjust Tube
3	88622	1-1/4NC Jam Nut
4	54800	Clevis Adjust Rod
5	54689	Tube Pin
6	88263	1/8NPT Grease Fitting
7	42484	Cylinder Lock Pin
8	10399	Axle Cap
9	10176	Shim
10	66970	13' HD 5BQ5 Main Axle (Red) w/o Walker <b>serial number 450762 &amp; up</b>
<b>The following 3PC axles are service parts for serial numbers 441250 to 450761</b>		
	54586	Center Axle
	61845	Right HD 5BQ5 Main Axle Assy w/Walker
	61378	Right HD 5BQ5 Main Axle (Red) w/o Walker
	61844	Left HD 5BQ5 Main Axle Assy w/walker
	61377	Left HD 5BQ5 Main Axle (Red) w/o Walker
11	56536	Manifold Mount
12	88515	3/8NCx4x2-3/4 U-Bolt
13	51229	4x30 Hyd Cylinder

ITEM	PART NO	DESCRIPTION
14	16290	95Lx15 Tubeless Tire
	10498	15x8 Wheel Rim
	16287	Tubeless Tire
	30784	Valve Stem Assembly
	57906	31x13.50 8 Ply Tire Assy (Optional)
	46714	15x10 Wheel Rim
	57907	31x13.50 8 Ply Tire
	57908	Valve Assembly
15	88514	3/8NCx4x3-3/4 U-Bolt
16	13270	Pole Tube Bracket
17	13215	Tube Clamp
18	88553	3/8NCx1-1/2 GR5 Bolt
19	88131	3/4 Flat Washer
20	12376	Bushing (.781IDx1-1/4ODx.625)
21	88404	3/4NCx2-1/2 GR5 Bolt

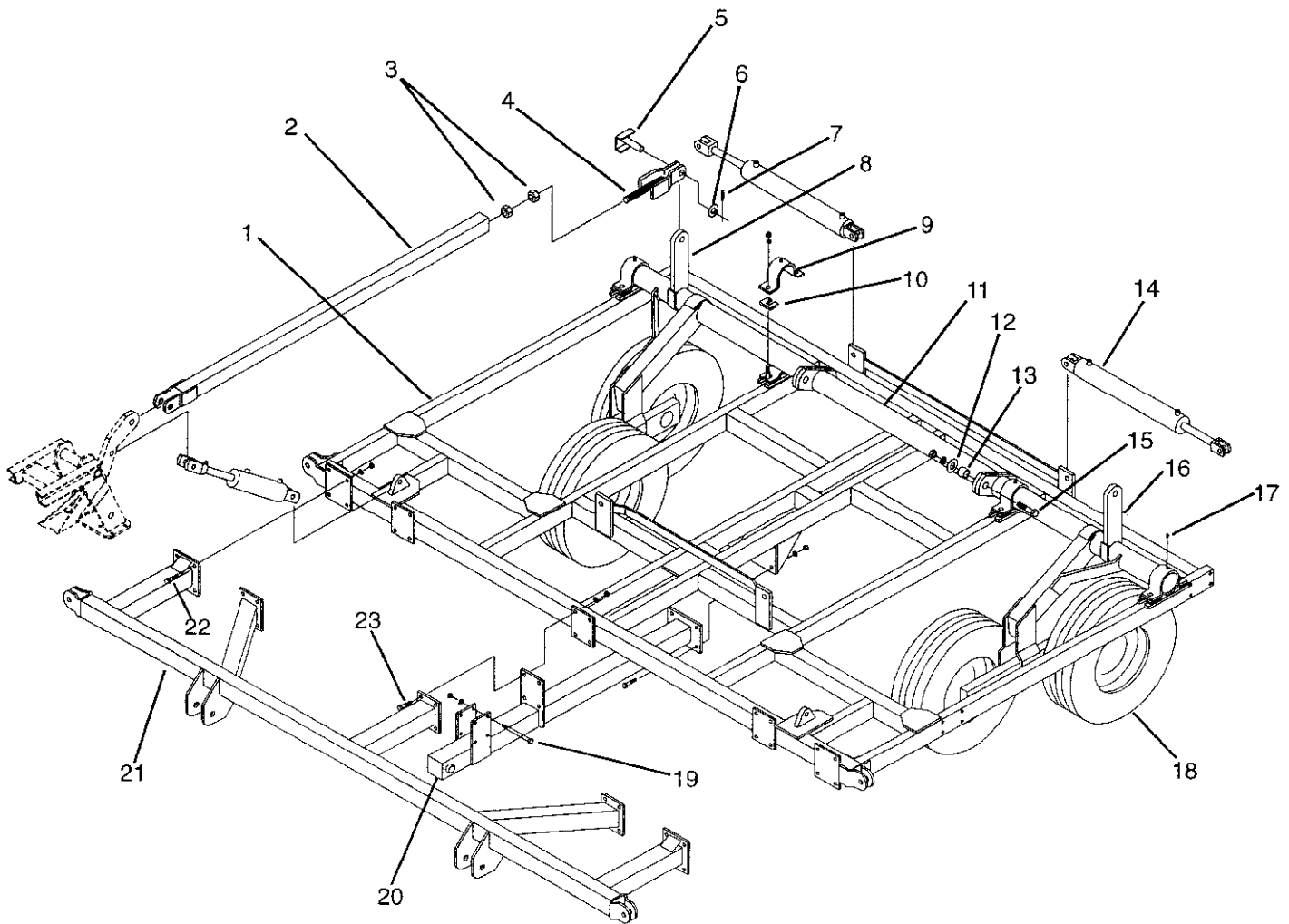
**Note: Standard nuts and lock washers are not called out. Anything other than standard will be called out.**

### STANDARD NUTS AND LOCK WASHERS

88172	1/4NC Nut	88262	1/4 Lock Washer
88103	3/8NC Nut	88362	3/8 Lock Washer
88104	1/2NC Nut	88303	1/2 Lock Washer
88126	5/8NC Nut	88129	5/8 Lock Washer
88110	3/4NC Nut	88130	3/4 Lock Washer
88371	7/8NC Nut	88341	7/8 Lock Washer

# 13' MAIN FRAME

Serial Numbers 441249 & below



ITEM	PART NO	DESCRIPTION
1	54497	13' Main Frame
2	54796	Center Adjust Tube
3	88622	1-1/4NC Jam Nut
4	54800	Clevis Adjust Rod
5	54689	Tube Pin
6	88602	1-1/4 Flat Washer
7	42484	Cylinder Lock Pin
8	54592	Right Q5 Main Axle Assembly
	56888	Right Q5 Main Axle
9	10399	Axle Cap
10	10176	Shim
11	54586	Center Axle
12	88131	3/4 Flat Washer
13	12376	Bushing .781x1-1/4ODx.625
14	51229	4x30 Cylinder
15	88404	3/4NCx2-1/2 GR5 Bolt
16	54593	Left Q5 Main Axle Assembly
	56889	Left Q5 Main Axle
17	88263	1/8NPT Grease Fitting

ITEM	PART NO	DESCRIPTION
18	16290	95Lx15 Wheel Assembly
	10498	15x8 Wheel Rim
	16287	95lx15 Tubeless Tire
	30784	Valve Stem Assembly
19	88295	5/8NCx6 GR5 Bolt
20	54538	Center Pull Rod
21	54516	13FT Main Stub
22	88290	3/4NCx2 GR8 Bolt
23	88404	3/4NCx2-1/2 GR5 Bolt

**Note: Standard nuts and lock washers are not called out. Anything other than standard will be called out.**

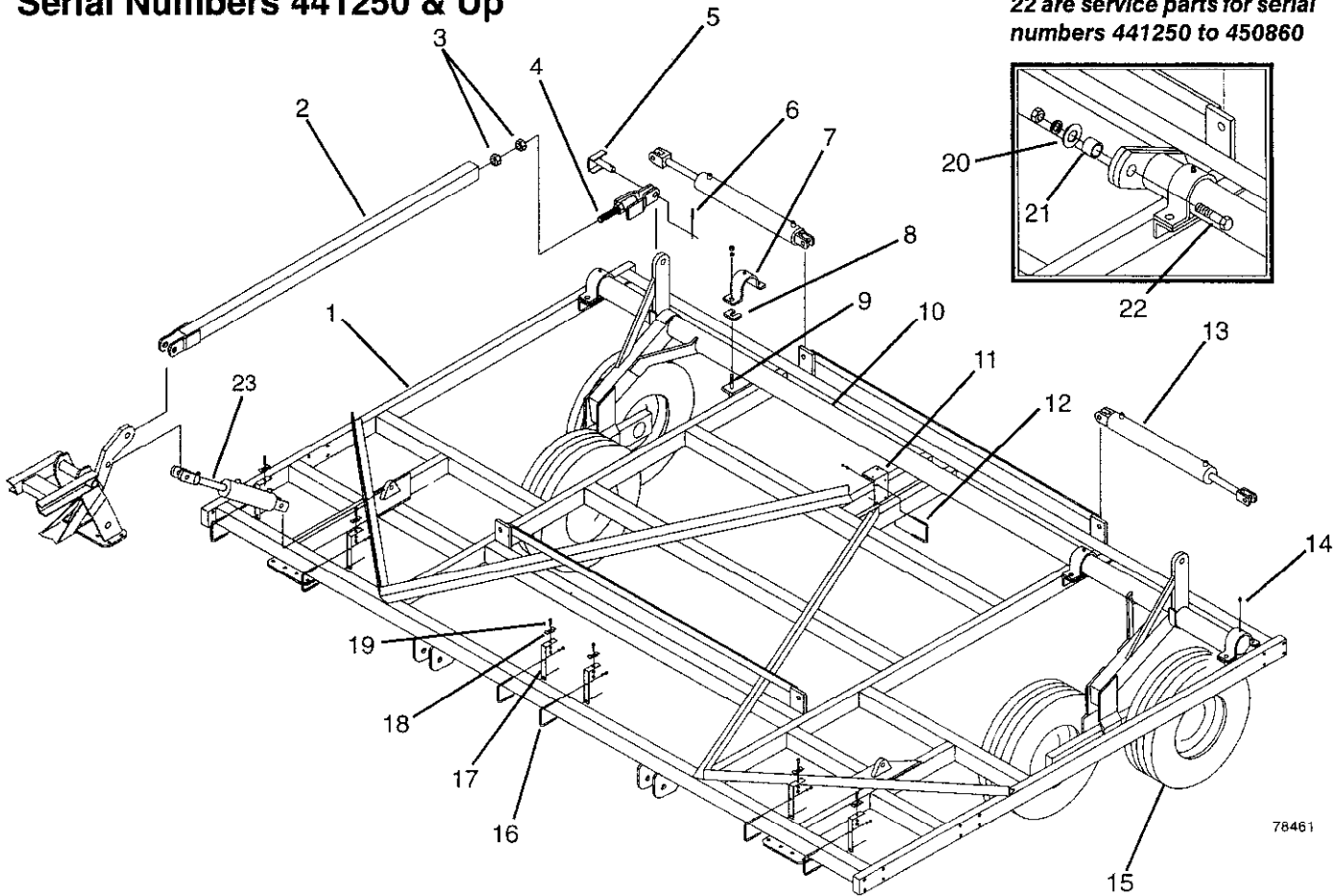
#### STANDARD NUTS AND LOCK WASHERS

88172	1/4NC Nut	88262	1/4 Lock Washer
88103	3/8NC Nut	88362	3/8 Lock Washer
88104	1/2NC Nut	88303	1/2 Lock Washer
88126	5/8NC Nut	88129	5/8 Lock Washer
88110	3/4NC Nut	88130	3/4 Lock Washer
88371	7/8NC Nut	88341	7/8 Lock Washer

# 16' MAIN FRAME

Serial Numbers 441250 & Up

The following parts 20, 21 & 22 are service parts for serial numbers 441250 to 450860



78461

ITEM	PART NO	DESCRIPTION
1	56997	16' 5Bar Q5 Main Frame
2	55749	Center Adjust Tube
3	88622	1-1/4NC Jam Nut
4	54800	Clevis Adjust Rod
5	54689	Tube Pin
6	42484	Cylinder Lock Pin
7	10399	Axle Cap
8	10176	Shim
9	88495	7/8NCx2-1/2 GR5 Bolt
10	66965	13' HD 5BQ5 Main Axle (Red) w/o Walker <b>serial numbers 450762 &amp; up</b>

ITEM	PART NO	DESCRIPTION
15	16290	95Lx15 Tubeless Tire
	10498	15x8 Wheel Rim
	16287	Tubeless Tire
	30784	Valve Stem Assembly
16	88514	3/8NCx4x3-3/4 U-Bolt
17	13270	Pole Tube Bracket
18	13215	Tube Clamp
19	88553	3/8NCx1-1/2 GR5 Bolt
20	88131	3/4 Flat Washer
21	12376	Bushing (.781IDx1-1/4ODx.625)
22	88404	3/4NCx2-1/2 GR5 Bolt
23	42580	4x9.3 Top Bypass Cylinder

The following 3PC axles are service parts for serial numbers 441250 to 450761

54995	Center Axle
61845	Right HD 5BQ5 Main Axle Assy w/Walker
61378	Right HD 5BQ5 Main Axle (Red) w/o Walker
61844	Left HD 5BQ5 Main Axle Assy w/Walker
61377	Left HD 5BQ5 Main Axle (Red) w/o Walker
11	56536 Manifold Mount
12	88515 3/8NCx4x2-3/4 U-Bolt
13	51229 4x30 Hyd Cylinder
14	88263 1/8NPT Grease Fitting

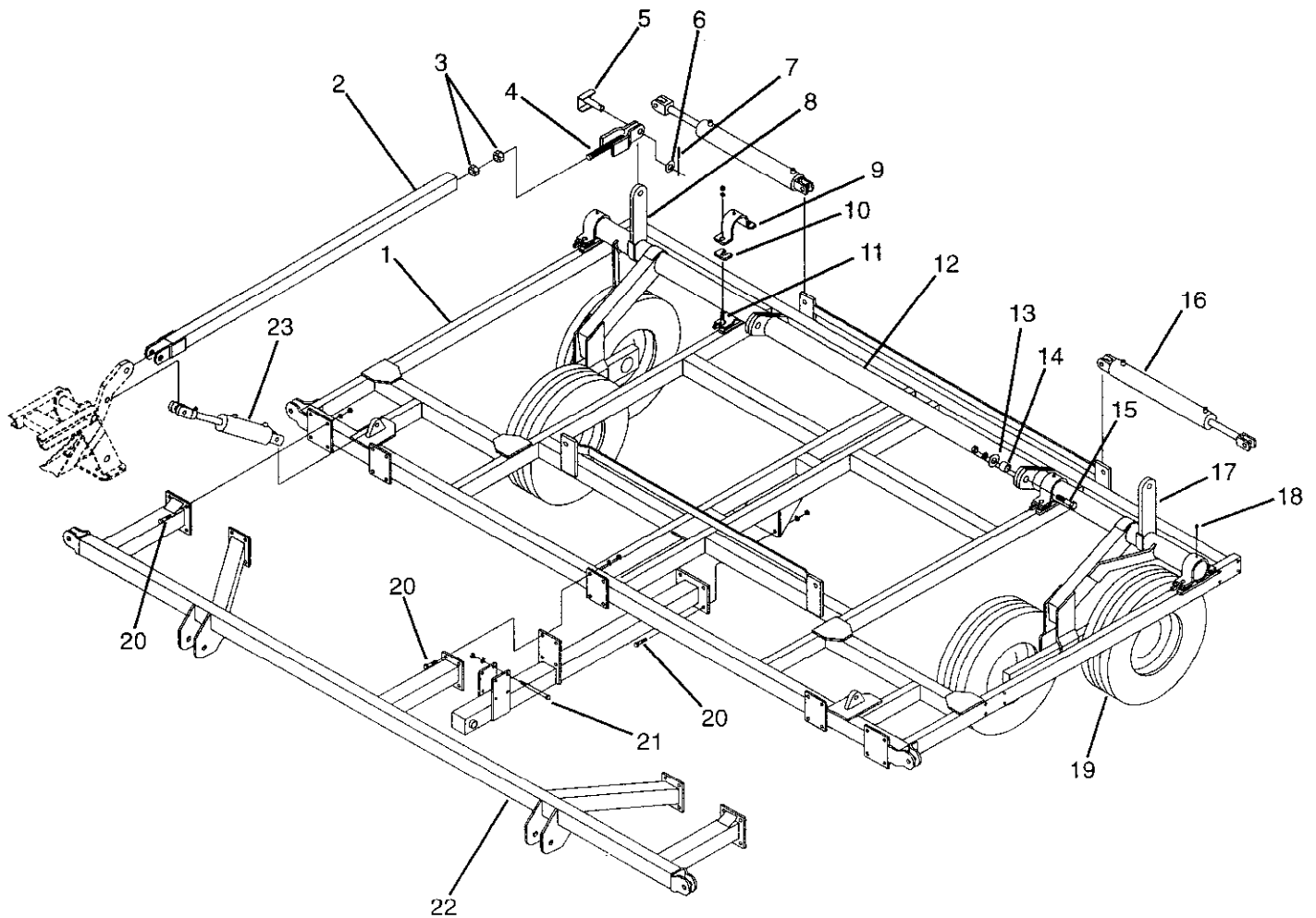
Note: Standard nuts and lock washers are not called out. Anything other than standard will be called out.

### STANDARD NUTS AND LOCK WASHERS

88172	1/4NC Nut	88262	1/4 Lock Washer
88103	3/8NC Nut	88362	3/8 Lock Washer
88104	1/2NC Nut	88303	1/2 Lock Washer
88126	5/8NC Nut	88129	5/8 Lock Washer
88110	3/4NC Nut	88130	3/4 Lock Washer
88371	7/8NC Nut	88341	7/8 Lock Washer

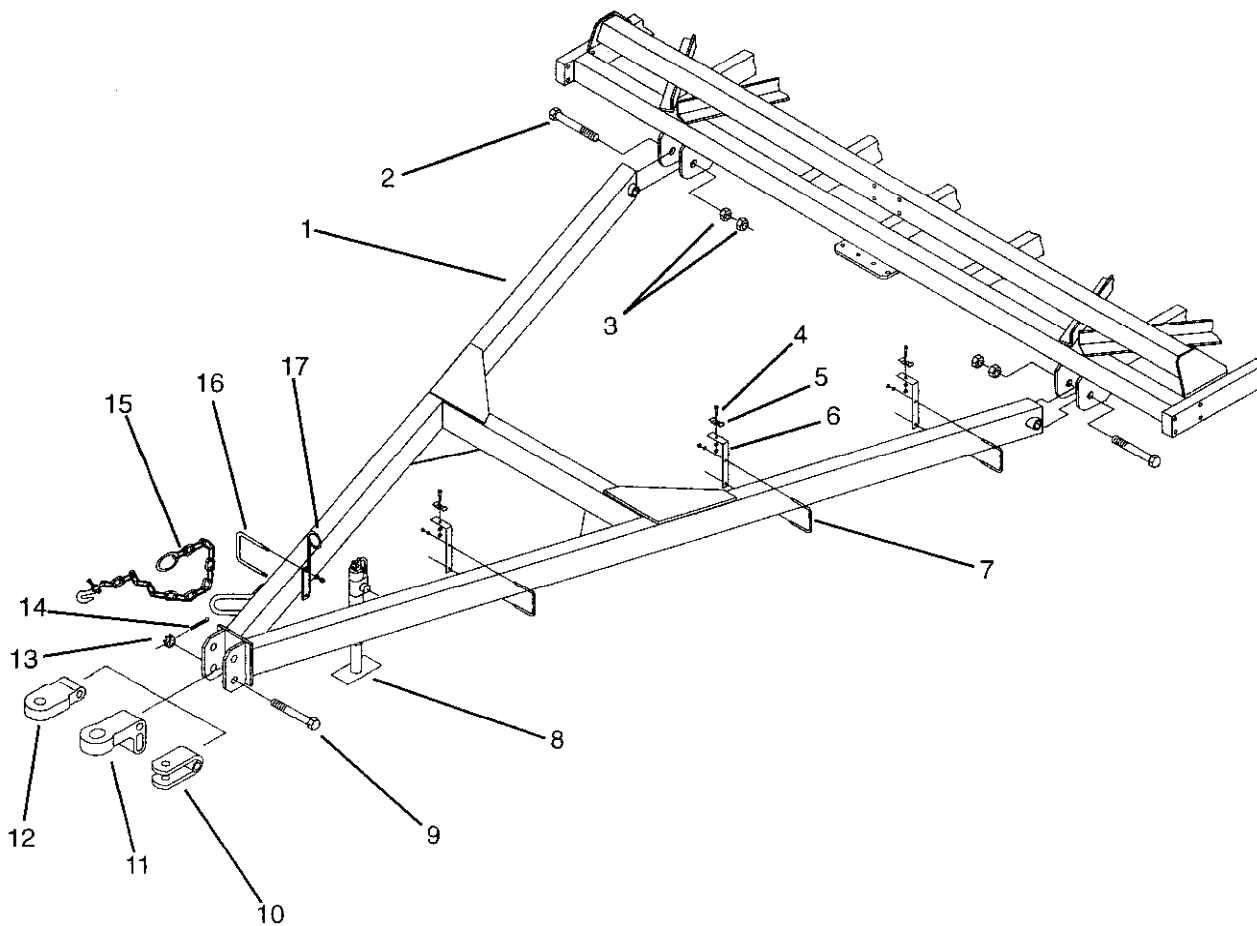
# 16' MAIN FRAME

Serial Numbers 441249 & Below



ITEM	PART NO	DESCRIPTION	ITEM	PART NO	DESCRIPTION
1	54982	16' Main Frame	14	12376	Bushing .781IDx1-1/4ODx.625
2	54796	Center Adjust Tube	15	88404	3/4NCx2-1/2 GR5 Bolt
3	88622	1-1/4NC Jam Nut	16	51229	4x30 Hyd Cylinder
4	54800	Clevis Adjust Rod	17	61843	Left Main Axle Assembly w/Walker
5	54689	Tube Pin		56889	Left Q5 Main Axle Assy w/o Walker
6	88602	1-1/4 Flat Washer	18	88263	1/8NPT Grease Fitting
7	42484	Cylinder Lock Pin	19	16290	95Lx15 Wheel Assembly
8	61842	Right Main Axle w/Walker		10498	15x8 Wheel Rim
	56888	Right Q5 Main Axle Assy w/o Walker		16287	95Lx15 Wheel Assembly
9	10399	Axle Cap		30784	Valve Stem Assembly
10	10176	Shim	20	88290	3/4NCx2 GR8 Bolt
11	88495	7/8NCx2-1/2 GR5 Bolt	21	88295	5/8NCx6 GR5 Bolt
12	54995	Center Tube	22	54986	16Ft. Main Frame Stub
13	88131	3/4 Flat Washer	23	42580	4x9.3 Top Bypass Cylinder

# 11' FLOATING HITCH

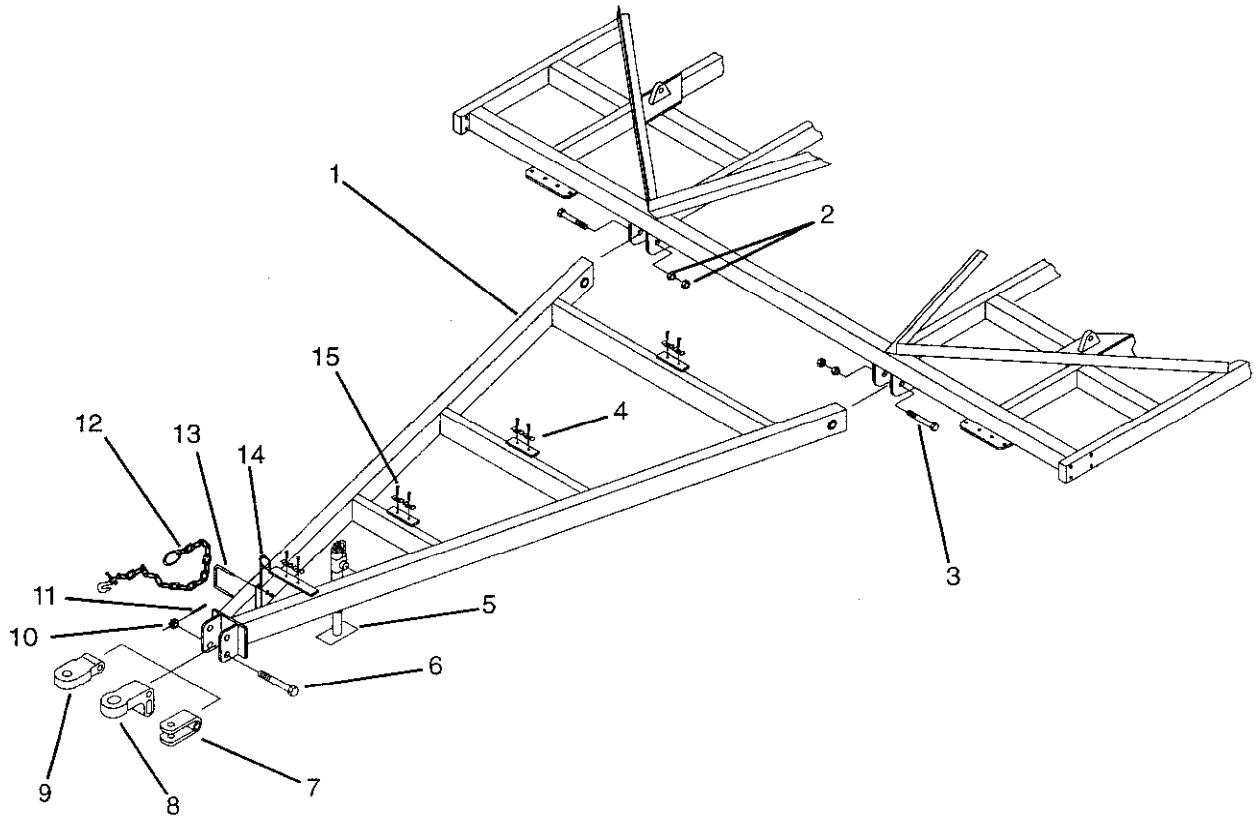


ITEM	PART NO	DESCRIPTION
1	66309	11' 5BQ5 Main Hitch
2	88427	1-1/4NCx8 GR5 Bolt
3	88622	1-1/4NC Jam Nut
4	88553	3/8NCx1-1/2 GR5 Bolt
5	13215	Tube Clamp
6	13270	Pole Tube Bracket
7	88514	3/8NCx4x3-3/4 U-Bolt
8	24415	Jack
9	11638	1-1/4NCx6-1/2 Hitch Bolt w/Hole
10	11364	Clevis Hitch
11	18236	Dual Cast Hitch
12	18237	Cast Hitch
13	88350	1-1/4NC Slotted Nut
14	88133	3/16x2 Cotter Pin
15	24459	Safety Chain
16	89069	3/8NCx5x4 U-Bolt
17	55838	Hose Bracket



# 13' & 16' FLOATING HITCH

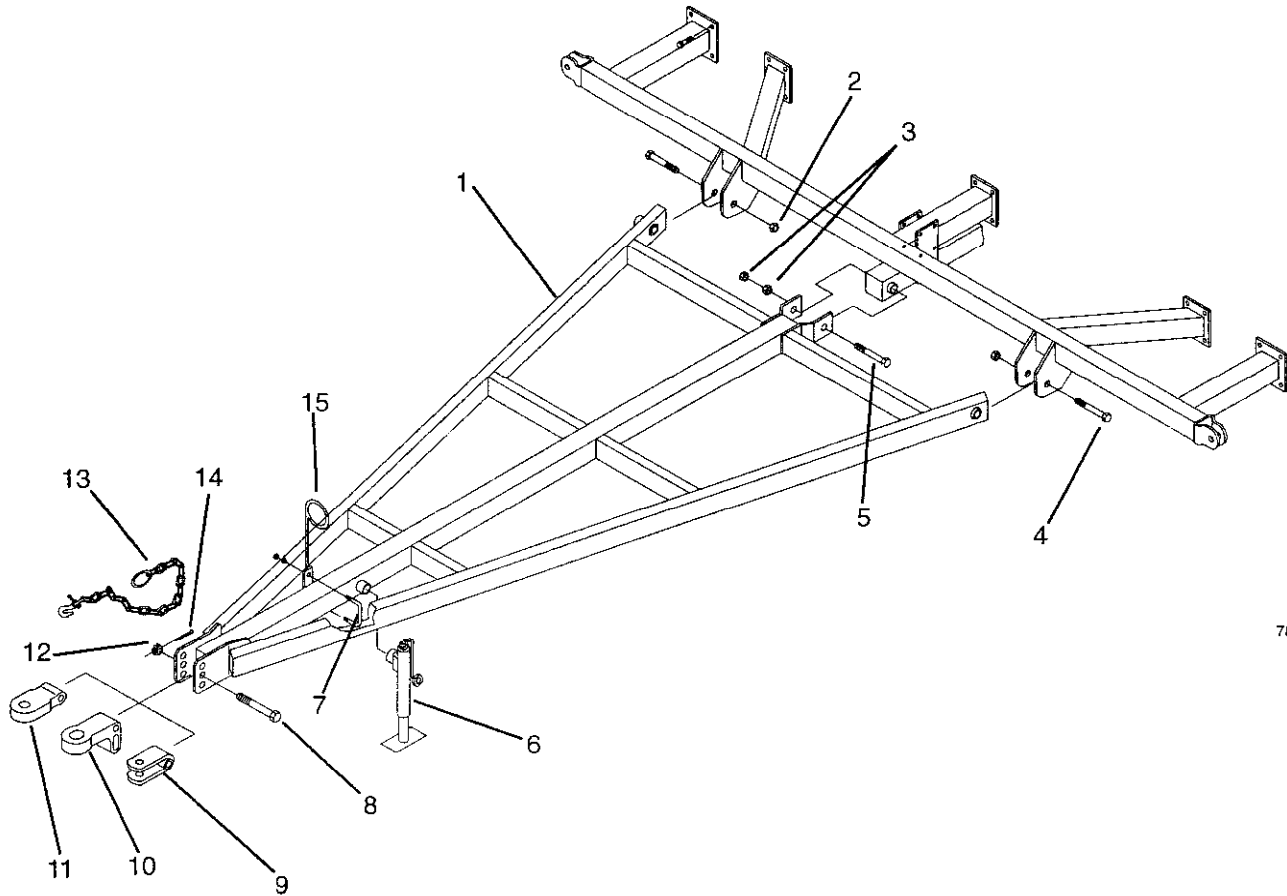
Serial Numbers 441250 & Up



ITEM	PART NO	DESCRIPTION
1	55675	16' Floating Hitch (164" Long)
	55674	13' Floating Hitch (130" Long)
2	88622	1-1/4NC Jam Nut
3	88427	1-1/4NCx8 GR5 Bolt
4	13215	Tube Clamp
5	24415	Jack
6	11638	1-1/4NCx6-1/2 GR5 Hitch Bolt w/Hole
7	11364	Clevis Hitch
8	18236	Dual Cast Hitch
9	18237	Cast Hitch
10	88350	1-1/4NC Slotted Nut
11	88133	3/16x2 Cotter Pin
12	24459	Safety Chain
13	89069	3/8NCx5x4 U-Bolt
14	55838	Hose Bracket
15	88553	3/8NCx1-1/2 GR5 Bolt

# FLOATING HITCH

Serial Numbers 441249 & Below



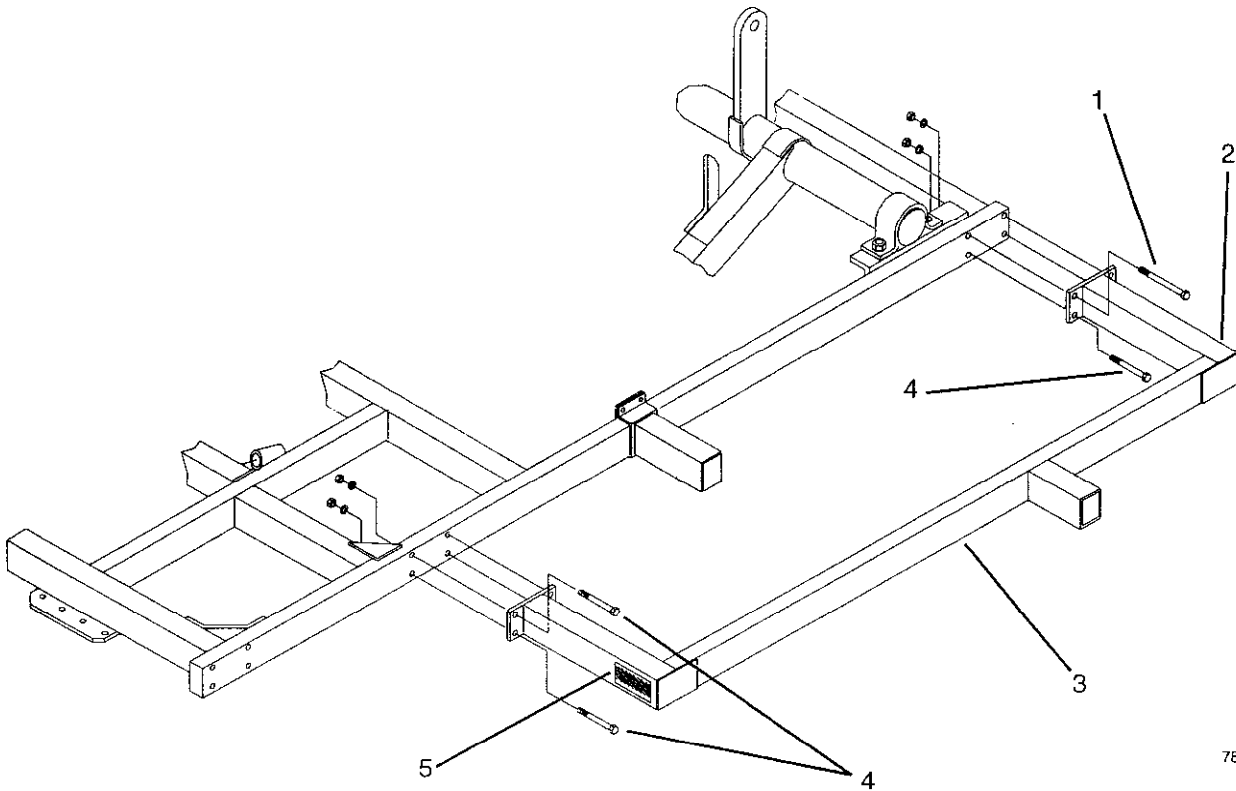
78307

ITEM	PART NO	DESCRIPTION
1	54515	13' Floating Hitch Pole
	54988	16' Floating Hitch Pole
2	88340	1-1/4NC Lock Nut
3	88622	1-1/4NC Jam Nut
4	18214	1-1/4NCx6-1/2 GR5 Hitch Bolt
5	88427	1-1/4NCx8 GR5 Bolt
6	24415	Jack
7	88385	3/8NCx4x4-3/4 U-Bolt
8	11638	1-1/4NCx6-1/2 Hitch Bolt
9	11364	Clevis Hitch
10	18236	Dual cast Hitch
11	18237	Cast Hitch
12	88350	1-1/4NC Slotted Nut
13	24459	Safety Chain
14	88133	3/16x2 Cotter Pin
15	12724	Hose Bracket



# 2FT RIGID WING EXTENSION

Serial Number 441250 & Up



78444

ITEM	PART NO	DESCRIPTION
1	88298	5/8NCx4 GR5 Bolt
2	22371	Red Reflector (To the back.)
3	56222	2Ft. Rigid Wing
4	88292	5/8NCx3-1/2 GR5 Bolt
5	22372	Amber Reflector (To the front.)

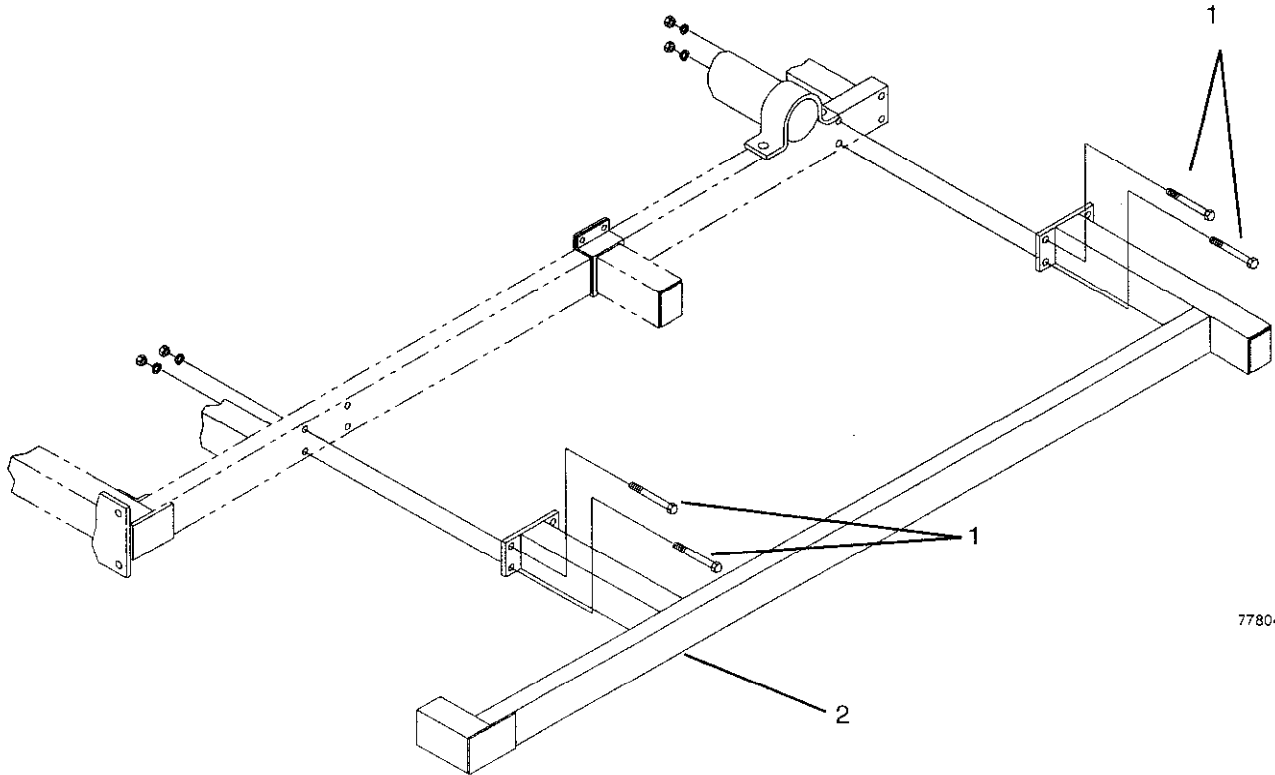
**Note: Standard nuts and lock washers are not called out. Anything other than standard will be called out.**

**STANDARD NUTS AND LOCK WASHERS**

88172	1/4NC Nut	88262	1/4 Lock Washer
88103	3/8NC Nut	88362	3/8 Lock Washer
88104	1/2NC Nut	88303	1/2 Lock Washer
88126	5/8NC Nut	88129	5/8 Lock Washer
88110	3/4NC Nut	88130	3/4 Lock Washer
88371	7/8NC Nut	88341	7/8 Lock Washer

# 2FT RIGID WING EXTENSION

Serial Numbers 441249 & Below



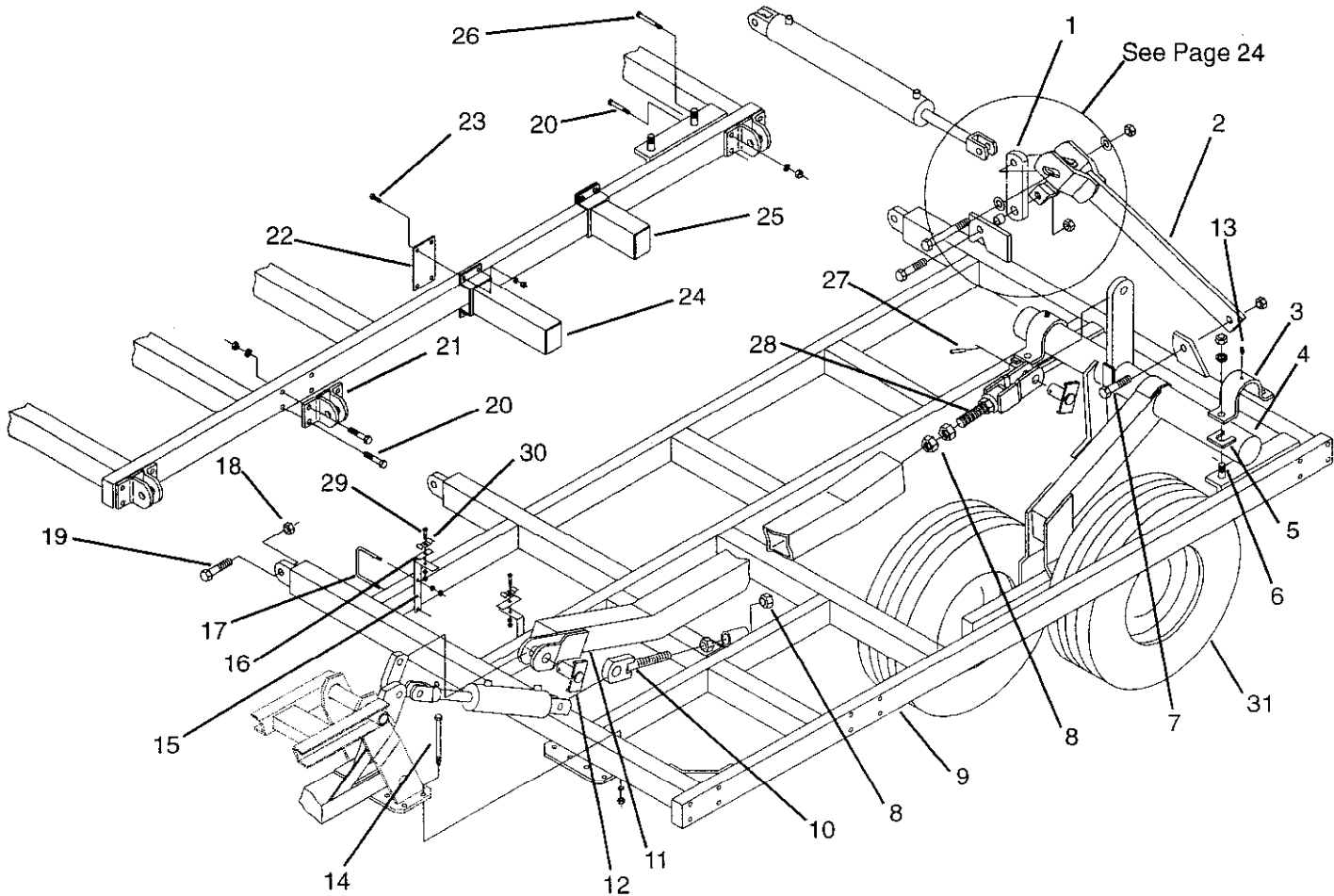
ITEM	PART NO	DESCRIPTION
1	88292	5/8NCx3-1/2 GR5 Bolt
2	49024	2Ft Rigid Stub

Note: Standard nuts and lock washers are not called out. Anything other than standard will be called out.  
STANDARD NUTS AND LOCK WASHERS

88172	1/4NC Nut	88262	1/4 Lock Washer
88103	3/8NC Nut	88362	3/8 Lock Washer
88104	1/2NC Nut	88303	1/2 Lock Washer
88126	5/8NC Nut	88129	5/8 Lock Washer
88110	3/4NC Nut	88130	3/4 Lock Washer
88371	7/8NC Nut	88341	7/8 Lock Washer

# 7' WING

## Serial Numbers 441250 & Up



ITEM	PART NO	DESCRIPTION
1	48522	Wing Lift Link
2	61744	Left Wing Lift Assembly (Shown)
	61745	Right Wing Lift Assembly
3	10399	Axle Cap
4	61843	Left Wing Axle Assembly w/Walker
	61842	Right Wing Axle Assembly w/Walker
	56876	Right 5Bar Q5 Wing Axle w/o Walker
	56877	Left 5Bar Q5 Wing Axle w/o Walker
5	10176	Shim
6	88495	7/8NCx2-1/2 GR5 Bolt
7	88393	1NCx2-1/2 GR5 Bolt
8	88622	1-1/4NC Jam Nut
9	56998	Right 7' 5Bar Q5 Wing
	56999	Left 7' 5Bar Q5 Wing (Shown)
10	54621	Adjust Rod
11	55741	Left Wing Adjust Tube (Shown)
	55740	Right Wing Adjust Tube
12	54689	Tube Pin
13	88263	1/8NPT Grease Fitting
14	88293	3/4NCx6 GR5 Bolt
15	13270	Pole Tube Bracket
16	15543	Base Plate
17	88515	3/8NCx4x2-3/4 U-Bolt
18	88348	1NC Lock Nut
19	88447	1NCx3-1/2 GR5 Bolt

ITEM	PART NO	DESCRIPTION
20	88292	5/8NCx3-1/2 GR5 Bolt
21	48537	Wing Hinge
22	26817	Backing Plate
23	88475	1/2NCx1-1/2 GR5 Bolt
24	49025	12" Saddle Stub
25	26815	8" Saddle Stub
26	88298	5/8NCx4 GR5 Bolt
27	42484	Cylinder Lock Pin
28	54800	Clevis Adjust Rod
29	88553	3/8NCx1-1/2 GR5 Bolt
30	13215	Tube Clamp
31	16290	95Lx15 8Ply Wheel Assembly
	10498	15X8 Wheel Rim
	16287	95Lx15 Tubeless Tire 8Ply
	30784	Valve Stem Assembly

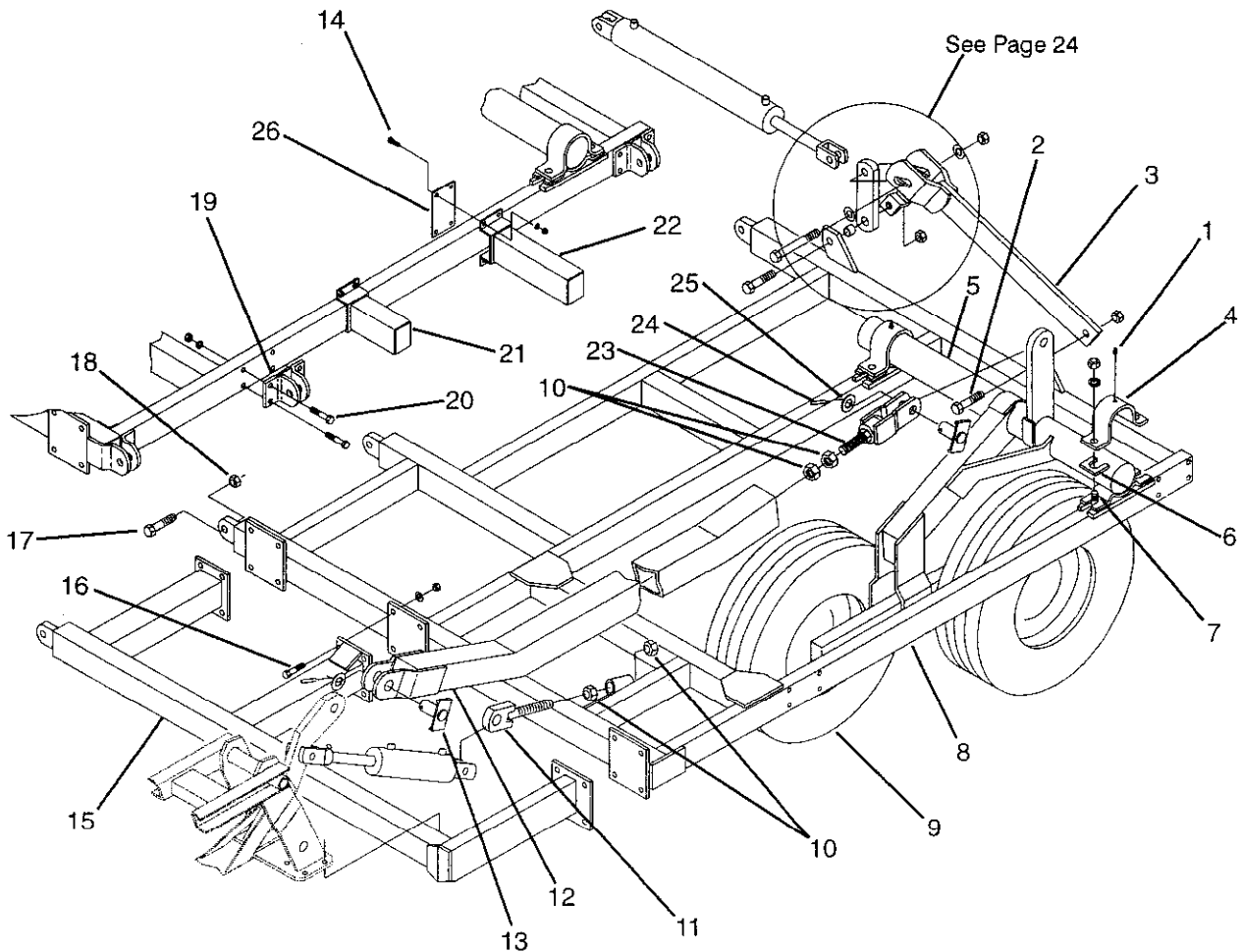
**Note: Standard nuts and lock washers are not called out. Anything other than standard will be called out.**

### STANDARD NUTS AND LOCK WASHERS

88172	1/4NC Nut	88262	1/4 Lock Washer
88103	3/8NC Nut	88362	3/8 Lock Washer
88104	1/2NC Nut	88303	1/2 Lock Washer
88126	5/8NC Nut	88129	5/8 Lock Washer
88110	3/4NC Nut	88130	3/4 Lock Washer
88371	7/8NC Nut	88341	7/8 Lock Washer

# 7' WING

Serial Numbers 441249 & Below



ITEM	PART NO	DESCRIPTION	ITEM	PART NO	DESCRIPTION
1	88263	1/8NPT Grease Fitting	15	54589	7' Floating Wing Stub
2	88293	3/4NCx6 GR5 Bolt	16	88290	3/4NCx2 GR8 Bolt
3	48518	Left Wing Lift Assembly (Shown)	17	88447	1NCx3-1/2 GR5 Bolt
	48519	Right Wing Lift Assembly	18	88348	1NC Lock Nut
4	10399	Axle Cap	19	48537	Wing Hinge
5	54597	Left Wing Axle Assembly w/Walker	20	88292	5/8NCx3-1/2 GR5 Bolt
	56887	Right Wing Axle Assembly w/Walker	21	26815	8" Saddle Stub
	54598	Right 5Bar Q5 Wing Axle w/o Walker	22	49025	12" Saddle Stub
	56886	Left 5Bar Q5 Wing Axle w/o Walker	23	54800	Clevis Adjust Rod
6	10176	Shim	24	42484	Cylinder Lock Pin
7	88495	7/8NCx2-1/2 GR5 Bolt	25	88602	1-1/4 Flat Washer
8	56998	Right 7' 5Bar Q5 Wing	26	26817	Backing Plate
	56999	Left 7' 5Bar Q5 Wing (Shown)			
9	16290	95Lx15 8Ply Wheel Assembly			
	10498	15X8 Wheel Rim			
	16287	95Lx15 Tubeless Tire 8Ply			
	30784	Valve Stem Assembly			
10	88622	1-1/4NC Jam Nut			
11	54621	Adjust Rod			
12	54798	Left Wing Adjust Tube			
13	54689	Tube Pin			
14	88475	1/2NCx1-1/2 GR5 Bolt			

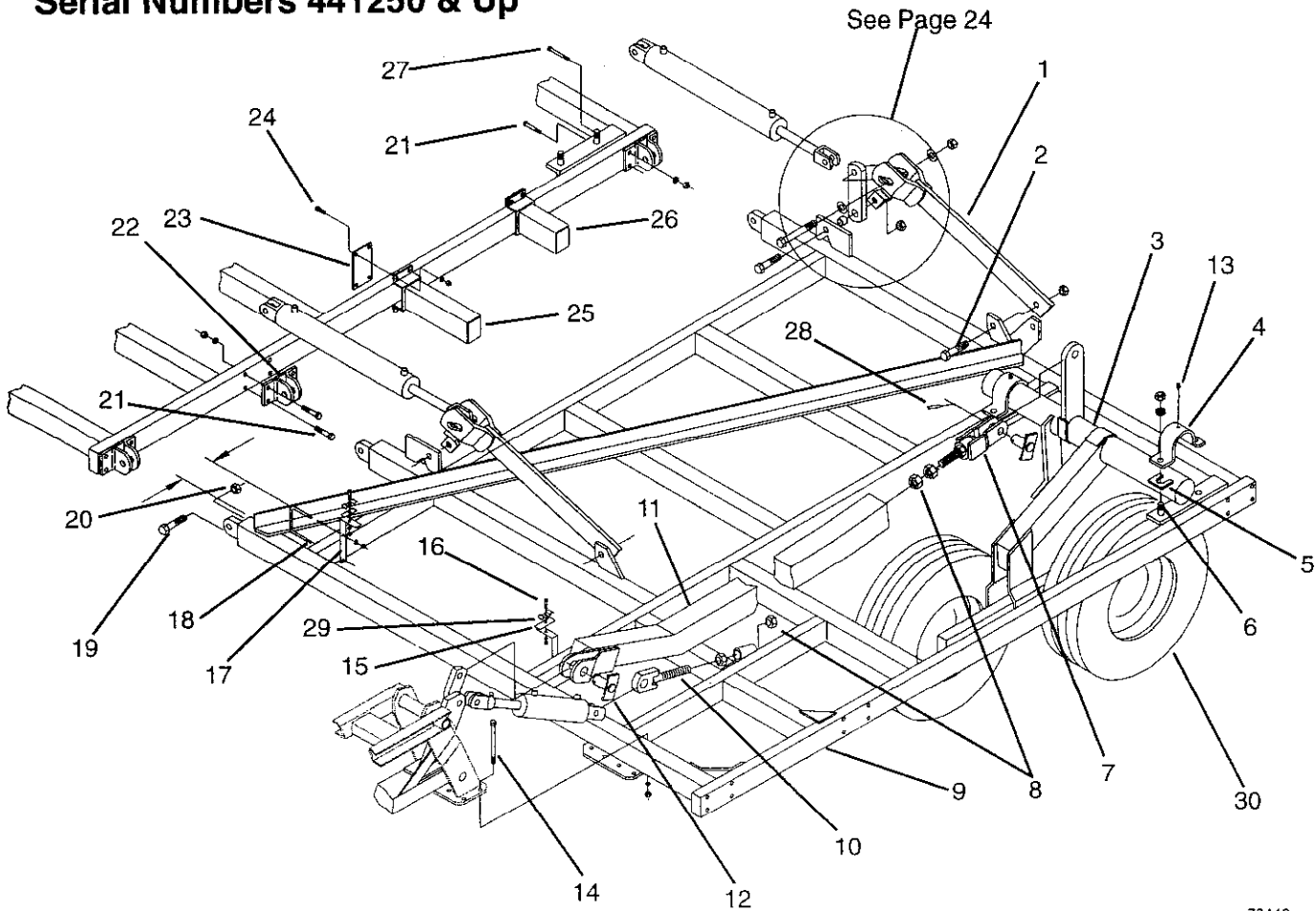
**Note: Standard nuts and lock washers are not called out. Anything other than standard will be called out.**

**STANDARD NUTS AND LOCK WASHERS**

88172	1/4NC Nut	88262	1/4 Lock Washer
88103	3/8NC Nut	88362	3/8 Lock Washer
88104	1/2NC Nut	88303	1/2 Lock Washer
88126	5/8NC Nut	88129	5/8 Lock Washer
88110	3/4NC Nut	88130	3/4 Lock Washer
88371	7/8NC Nut	88341	7/8 Lock Washer

# 9' 4" WING

Serial Numbers 441250 & Up



78440

ITEM	PART NO	DESCRIPTION	ITEM	PART NO	DESCRIPTION
1	61744	Left Wing Lift Assembly (Shown)	20	88348	1NC Lock Nut
	61745	Right Wing Lift Assembly	21	88292	5/8NCx3-1/2 GR5 Bolt
2	88393	1NCx2-1/2 GR5 Bolt	22	48537	Wing Hinge
3	61843	Left Wing Axle Assembly w/Walker	23	26817	Backing Plate
	61842	Right Wing Axle Assembly w/Walker	24	88475	1/2NCx1-1/2 GR5 Bolt
	56876	Right 5Bar Q5 Wing Axle w/o Walker	25	49025	12" Saddle Stub
	56877	Left 5Bar Q5 Wing Axle w/o Walker	26	26815	8" Saddle Stub
4	10399	Axle Cap	27	88298	5/8NCx4 GR5 Bolt
5	10176	Shim	28	42484	Cylinder Lock Pin
6	88495	7/8NCx2-1/2 GR5 Bolt	29	13215	Tube Clamp
7	54800	Clevis Adjust Rod	30	16290	95Lx15 8Ply Wheel Assembly
8	88622	1-1/4NC Jam Nut		10498	15X8 Wheel Rim
9	57918	Right 9'4" 5Bar Q5 Wing		16287	95Lx15 Tubeless Tire 8Ply
	57919	Left 9'4" 5Bar Q5 Wing (Shown)		30784	Valve Stem Assembly
10	54621	Adjust Rod			
11	55741	Left Wing Adjust Tube (Shown)			
	55740	Right Wing Adjust Tube			
12	54689	Tube Pin			
13	88263	1/8NPT Grease Fitting			
14	88293	3/4NCx6 GR5 Bolt			
15	15543	Base Plate			
16	88553	3/8NCx1-1/2 GR5 Bolt			
17	13270	Pole Tube Bracket			
18	88515	3/8NCx4x2-3/4 U-Bolt			
19	88447	1NCx3-1/2 GR5 Bolt			

Note: Standard nuts and lock washers are not called out. Anything other than standard will be called out.

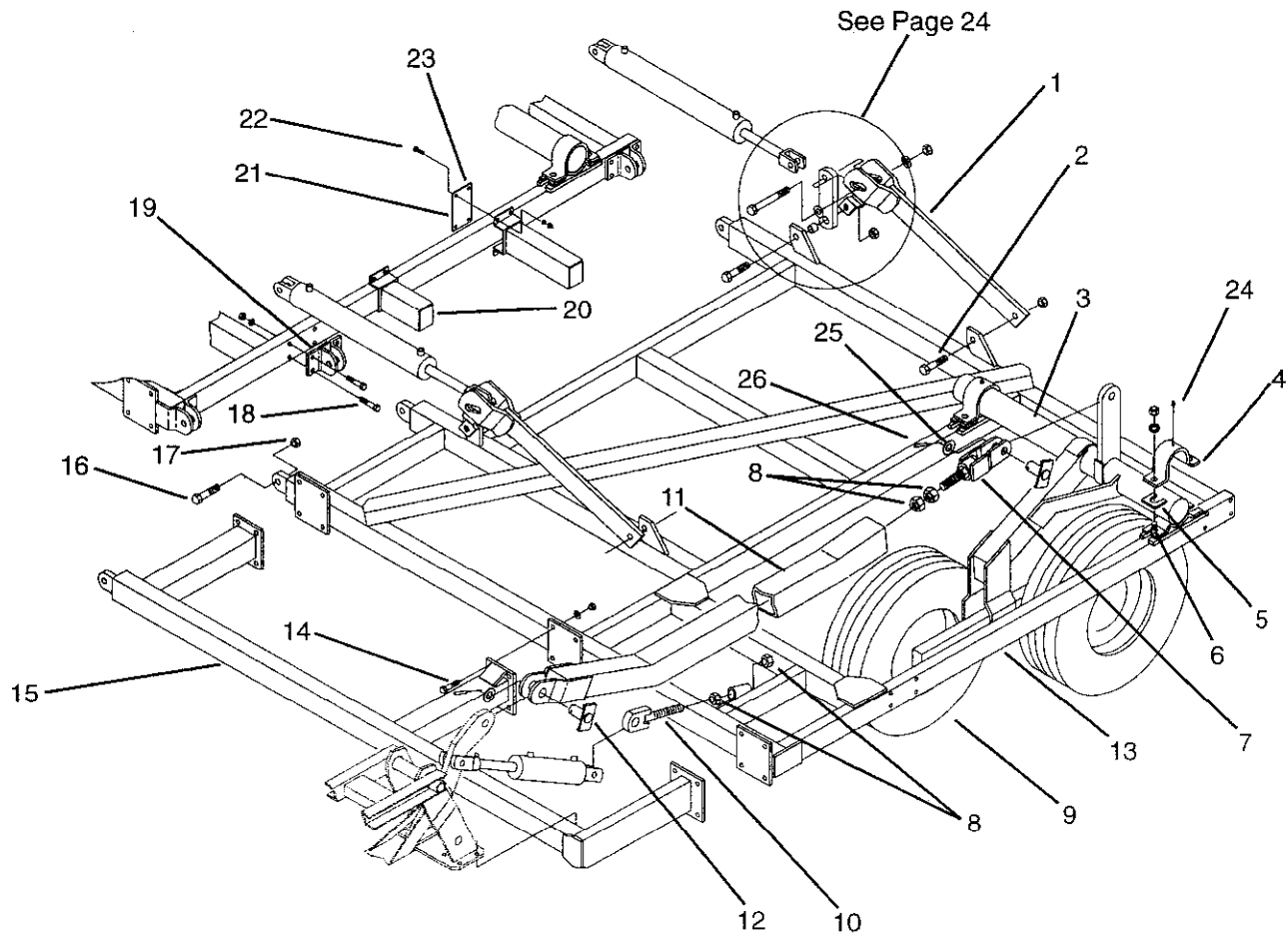
### STANDARD NUTS AND LOCK WASHERS

88172	1/4NC Nut	88262	1/4 Lock Washer
88103	3/8NC Nut	88362	3/8 Lock Washer
88104	1/2NC Nut	88303	1/2 Lock Washer
88126	5/8NC Nut	88129	5/8 Lock Washer
88110	3/4NC Nut	88130	3/4 Lock Washer
88371	7/8NC Nut	88341	7/8 Lock Washer



# 9'4" WING

Serial Number 441249 & Below



ITEM	PART NO	DESCRIPTION	ITEM	PART NO	DESCRIPTION
1	48518	Left Wing Lift Assembly (Shown)	19	48537	Wing Hinge
	48519	Right Wing Lift Assembly	20	26815	8" Saddle Stub
2	88393	1NCx2-1/2 GR5 Bolt	21	26817	Backing Plate
3	54597	Left Wing Axle Assembly w/Walker	22	88475	1/2NCx1-1/2 GR5 Bolt
	56887	Right Wing Axle Assembly w/Walker	23	49025	12" Saddle Stub
	54598	Right 5Bar Q5 Wing Axle w/o Walker	24	88263	1/8NPT Grease Fitting
	56886	Left 5Bar Q5 Wing Axle w/o Walker	25	88602	1-1/4 Flat Washer
4	10399	Axle Cap	26	42484	Cylinder Lock Pin
5	10176	Shim			
6	88495	7/8NCx2-1/2 GR5 Bolt			
7	54800	Clevis Adjust Rod			
8	88622	1-1/4NC Jam Nut			
9	16290	95Lx15 8Ply Wheel Assembly			
	10498	15x8 Wheel Rim			
	16287	95Lx15 Tubeless Tire 8Ply			
	30784	Valve Stem Assembly			
10	54621	Adjust Rod			
11	54798	Left Wing Adjust Tube			
12	54689	Tube Pin			
13	54495	9'4" Floating Wing Right			
	54496	9'4" Floating Wing Left			
14	88290	3/4NCx2 GR8 Bolt			
15	54517	9'4" Floating Wing Stub			
16	88447	1NCx3-1/2 GR5 Bolt			
17	88348	1NC Lock Nut			
18	88292	5/8NCx3-1/2 GR5 Bolt			

**Note: Standard nuts and lock washers are not called out. Anything other than standard will be called out.**

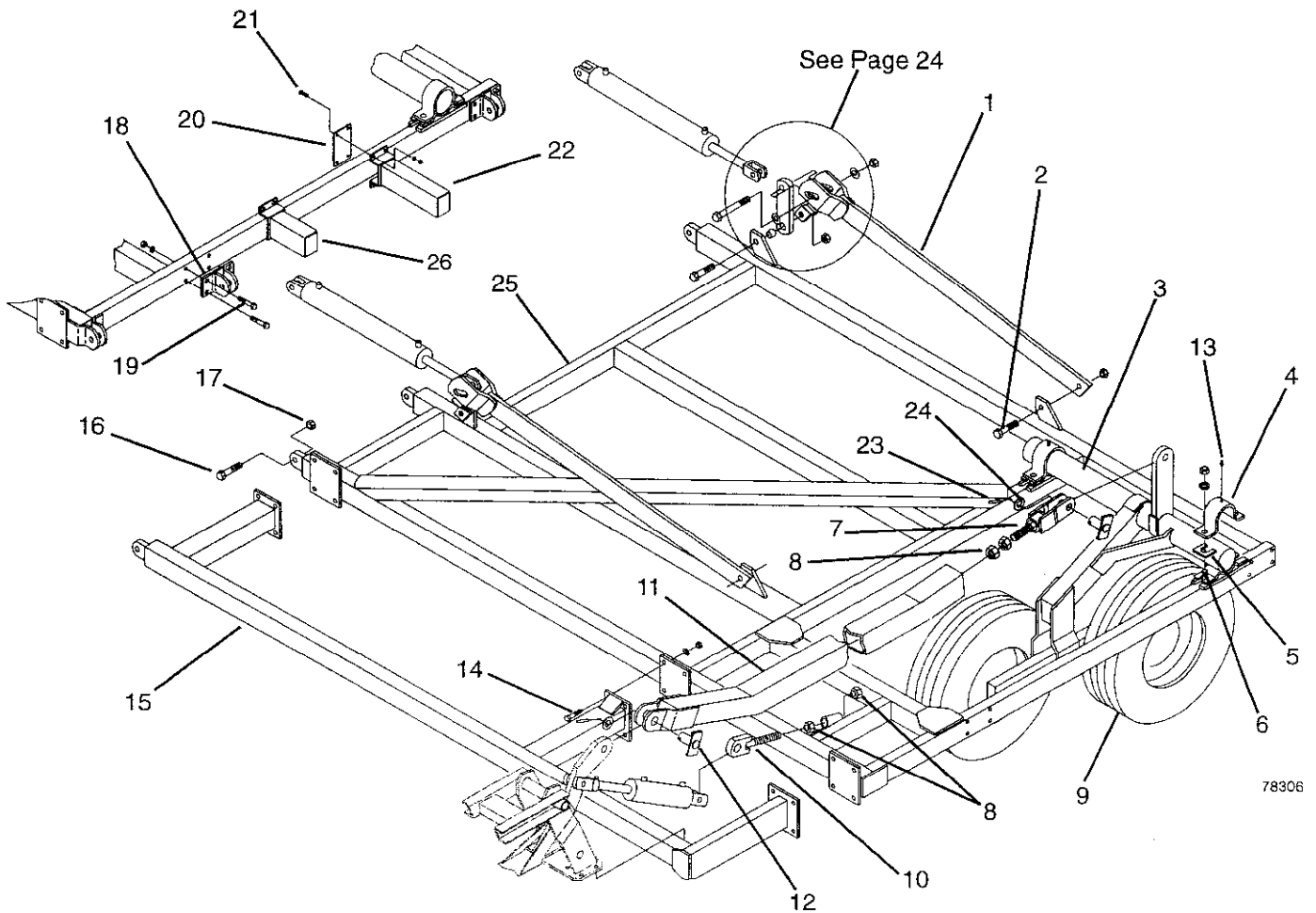
**STANDARD NUTS AND LOCK WASHERS**

88172	1/4NC Nut	88262	1/4 Lock Washer
88103	3/8NC Nut	88362	3/8 Lock Washer
88104	1/2NC Nut	88303	1/2 Lock Washer
88126	5/8NC Nut	88129	5/8 Lock Washer
88110	3/4NC Nut	88130	3/4 Lock Washer
88371	7/8NC Nut	88341	7/8 Lock Washer



# 11'8" WING

Serial Number 441249 & Below



ITEM	PART NO	DESCRIPTION	ITEM	PART NO	DESCRIPTION
1	48520	Left Wing Lift Assembly (Shown)	15	54985	11'8" Floating Wing Stub
	48521	Right Wing Lift Assembly	16	88447	1NCx3-1/2 GR5 Bolt
2	88393	1NCx2-1/2 GR5 Bolt	17	88348	1NC Lock Nut
3	54597	Left Wing Axle Assembly w/Walker	18	48537	Wing Hinge
	56887	Right Wing Axle Assembly w/Walker	19	88292	5/8NCx3-1/2 GR5 Bolt
	54598	Right 5Bar Q5 Wing Axle w/o Walker	20	26817	Backing Plate
	56886	Left 5Bar Q5 Wing Axle w/o Walker	21	88475	1/2NCx1-1/2 GR5 Bolt
4	10399	Axle Cap	22	49025	12" Saddle Stub
5	10176	Shim	23	42484	Cylinder Lock Pin
6	88495	7/8NCx2-1/2 GR5 Bolt	24	88602	1-1/4 Flat Washer
7	54800	Clevis Adjust Rod	25	57980	Right 9'4" 5Bar Q5 Wing
8	88622	1-1/4NC Jam Nut		57981	Left 9'4" 5Bar Q5 Wing (Shown)
9	16290	95Lx15 8Ply Wheel Assembly	26	26815	8" Saddle Stub
	10498	15x8 Wheel Rim			
	16287	95Lx15 Tubeless Tire			
	30784	Valve Stem Assembly			
10	54621	Adjust Rod			
11	54798	Wing Adjust Tube (Shown)			
12	54689	Tube Pin			
13	88263	1/8NPT Grease Fitting			
14	88290	3/4NCx2 GR5 Bolt			

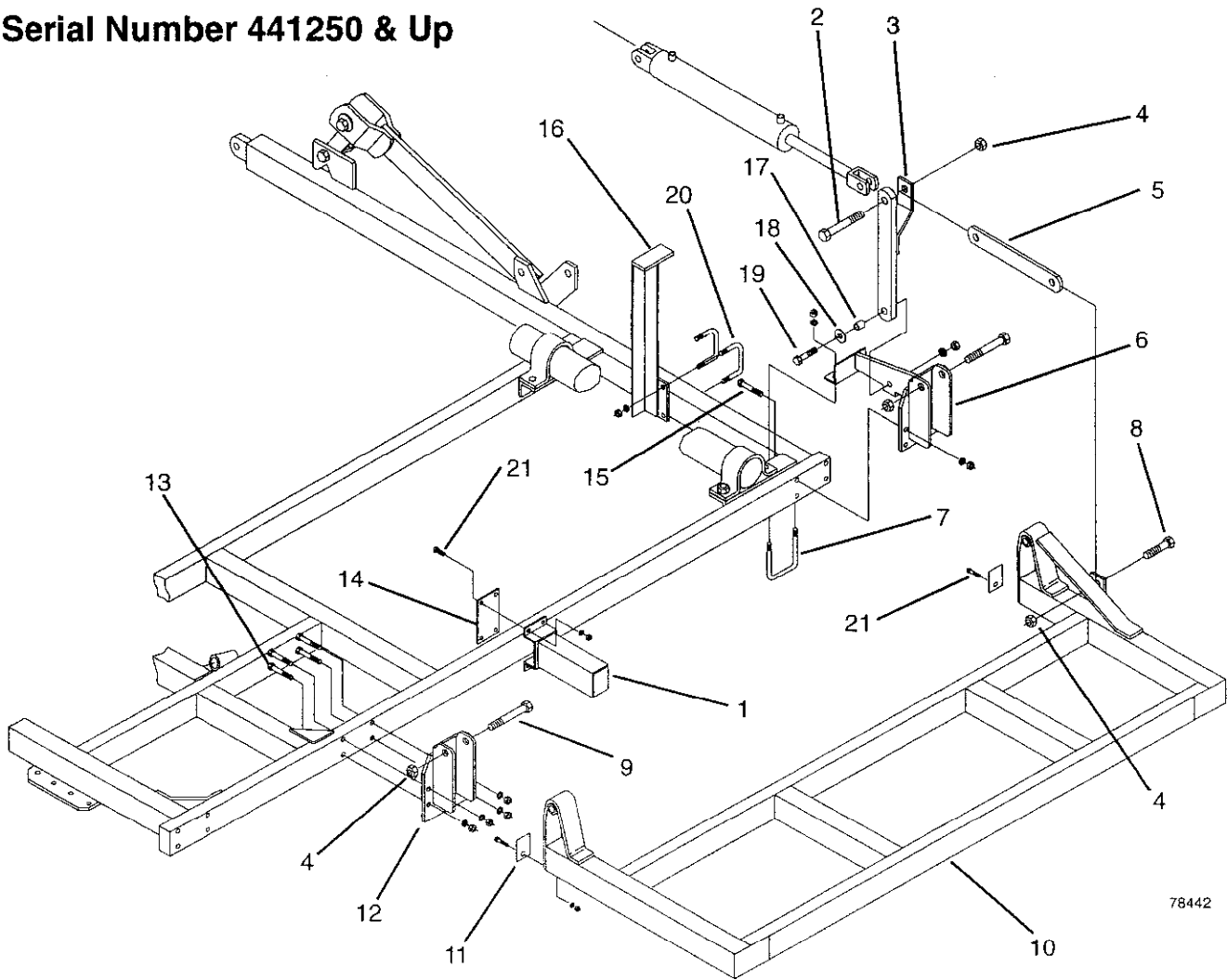
**Note: Standard nuts and lock washers are not called out. Anything other than standard will be called out.**

**STANDARD NUTS AND LOCK WASHERS**

88172	1/4NC Nut	88262	1/4 Lock Washer
88103	3/8NC Nut	88362	3/8 Lock Washer
88104	1/2NC Nut	88303	1/2 Lock Washer
88126	5/8NC Nut	88129	5/8 Lock Washer
88110	3/4NC Nut	88130	3/4 Lock Washer
88371	7/8NC Nut	88341	7/8 Lock Washer

# 3FT OUTER WING

Serial Number 441250 & Up



78442

ITEM	PART NO	DESCRIPTION
1	26815	8" Saddle Stub
2	88312	1NCx5 GR5 Bolt
3	51465	Lift Linkage
4	88348	1NC Lock Nut
5	51456	Hinge Link
6	51461	Right Rear Hinge
	51462	Left Rear Hinge (Shown)
7	88503	5/8NCx3x5-1/4 U-Bolt
8	88399	1NCx3 GR5 Bolt
9	88264	1NCx6 GR5 Bolt
10	55714	Right 3' 5Bar Q5 Wing
	55715	Left 3' 5Bar Q5 Wing
11	51469	Shim (16Ga x 2-1/4x 4)
12	55772	Front Hinge
13	88292	5/8NCx3-1/2 GR5 Bolt
14	26817	Backing Plate

ITEM	PART NO	DESCRIPTION
15	88298	5/8NCx4 GR5 Bolt
16	55758	Wing Rest
17	51468	Bushing (.782IDx1"ODx1.06)
18	88131	3/4 Flat Washer
19	88291	3/4NCx3 GR5 Bolt
20	88453	5/8NCx4x4-1/2 U-Bolt
21	88475	1/2NCx1-1/2 GR5 Bolt

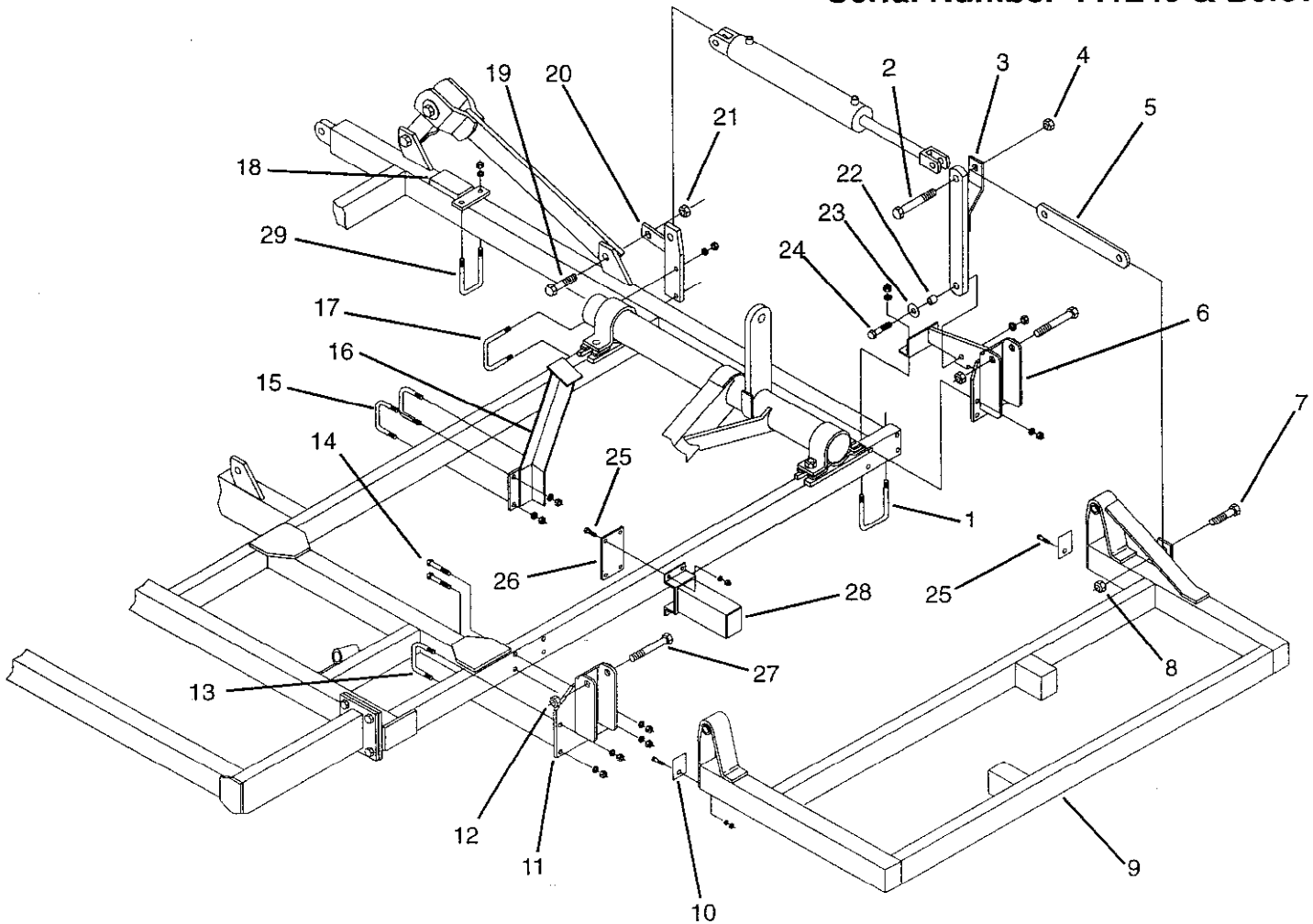
**Note: Standard nuts and lock washers are not called out. Anything other than standard will be called out.**

#### STANDARD NUTS AND LOCK WASHERS

88172	1/4NC Nut	88262	1/4 Lock Washer
88103	3/8NC Nut	88362	3/8 Lock Washer
88104	1/2NC Nut	88303	1/2 Lock Washer
88126	5/8NC Nut	88129	5/8 Lock Washer
88110	3/4NC Nut	88130	3/4 Lock Washer
88371	7/8NC Nut	88341	7/8 Lock Washer

# 3FT OUTER WING

Serial Number 441249 & Below



ITEM	PART NO	DESCRIPTION
1	88503	5/8NCx3x5-1/4 U-Bolt
2	88312	1NCx5 GR5 Bolt
3	51465	Lift Linkage
4	88348	1NC Lock Nut
5	51456	Hinge Link
6	51461	Right Rear Hinge
	51462	Left Rear Hinge (Shown)
7	88399	1NCx3 GR5 Bolt
8	88348	1NC Lock Nut
9	51454	Right 3' 5Bar Q5 Wing
	51455	Left 3' 5Bar Q5 Wing
10	51469	Shim (16Ga x 2-1/4x 4)
11	55283	Left Front Hinge (Shown)
	55282	Right Front Hinge
12	88348	1NC Lock Nut
13	88388	5/8NCx4x3-1/4 U-Bolt
14	88292	5/8NCx3-1/2 GR5 Bolt
15	88388	5/8NCx4x3-1/4 U-Bolt
16	53098	Over Wing Rest
17	88501	5/8NCx4x4-1/4 U-Bolt
18	51931	Wing Spacer (Use w/3' & 5' Outer Wing on 13' MF w/11'8" wings)

ITEM	PART NO	DESCRIPTION
19	88399	1NCx3 GR5 Bolt
20	51460	Left Anchor
	51459	Right Anchor
21	88348	1NC Lock Nut
22	51468	Bushing (.782IDx1"ODx1.06)
23	88131	3/4 Flat Washer
24	88291	3/4NCx3 GR5 Bolt
25	88475	1/2NCx1-1/2 GR5 Bolt
26	26817	Backing Plate
27	88264	1NCx6 GR5 Bolt
28	26815	8" Saddle Stub

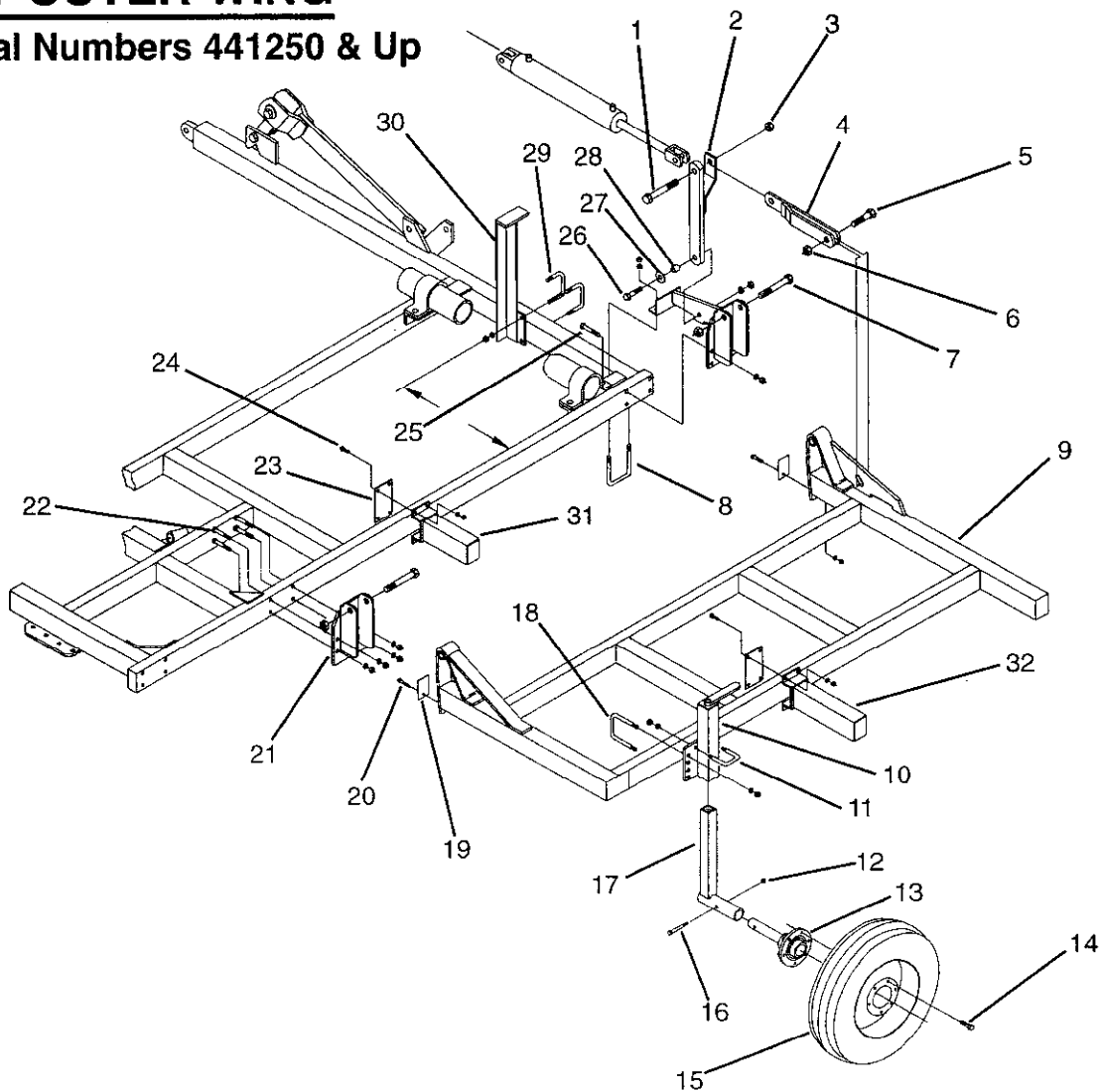
**Note: Standard nuts and lock washers are not called out. Anything other than standard will be called out.**

### STANDARD NUTS AND LOCK WASHERS

88172	1/4NC Nut	88262	1/4 Lock Washer
88103	3/8NC Nut	88362	3/8 Lock Washer
88104	1/2NC Nut	88303	1/2 Lock Washer
88126	5/8NC Nut	88129	5/8 Lock Washer
88110	3/4NC Nut	88130	3/4 Lock Washer
88371	7/8NC Nut	88341	7/8 Lock Washer

# 5FT OUTER WING

Serial Numbers 441250 & Up



78443

ITEM	PART NO	DESCRIPTION
1	88312	1NCx5 GR5 Bolt
2	51465	Lift Linkage
3	88348	1NC Lock Nut
4	51472	Lift Linkage
5	88399	1NCx3 GR5 Bolt
6	88348	1NC Lock Nut
7	51461	Right Rear Hinge
	51462	Left Rear Hinge (Shown)
8	88503	5/8NCx3x5-1/4 U-Bolt
9	55717	Right 5' 5Bar Q5 Wing
	55718	Left 5' 5Bar Q5 Wing
10	15485	Top Adjustment Assembly
11	88311	5/8NCx2-1/2x3-3/4 U-Bolt
12	88304	1/2NF Lock Nut
13	41233	1-3/4 Hub & Spindle
14	88142	1/2NFx1 90 Wheel Bolt
15	13142	95Lx15 Wheel Assembly
	10236	15x6 Wheel Rim
	16287	95Lx15 Tubeless Tire
	30784	Valve Stem
16	88313	1/2NFx3 GR5 Bolt
17	26774	Gauge Wheel Leg
18	88388	5/8NCx4x3-1/4 U-Bolt
19	51469	Shim (16GAx2-1/2x4)

ITEM	PART NO	DESCRIPTION
20	88475	1/2NCx1-1/2 GR5 Bolt
21	55772	Front Hinge
22	88292	5/8NCx3-1/2 GR5 Bolt
23	26817	Backing Plate
24	88475	1/2NCx1-1/2 GR5 Bolt
25	88298	5/8NCx4 GR5 Bolt
26	88291	3/4NCx3 GR5 Bolt
27	88131	3/4 Flat Washer
28	51468	Bushing (.782IDx1"ODx1.06)
29	88453	5/8NCx4x4-1/2 U-Bolt
30	55758	Wing Rest
31	26815	8" Saddle Stub
32	49025	12" Saddle Stub

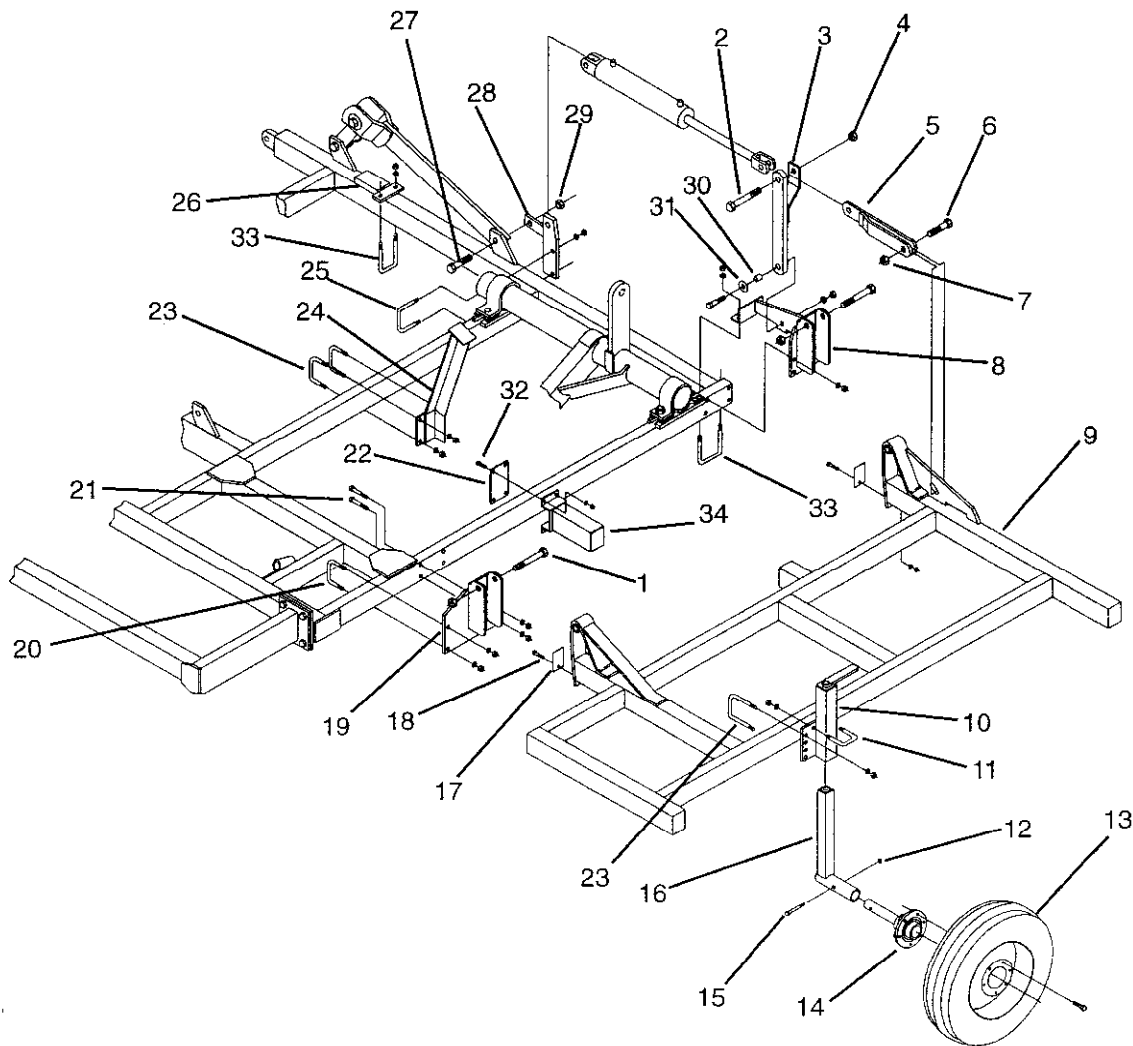
**Note: Standard nuts and lock washers are not called out. Anything other than standard will be called out.**

### STANDARD NUTS AND LOCK WASHERS

88172	1/4NC Nut	88262	1/4 Lock Washer
88103	3/8NC Nut	88362	3/8 Lock Washer
88104	1/2NC Nut	88303	1/2 Lock Washer
88126	5/8NC Nut	88129	5/8 Lock Washer
88110	3/4NC Nut	88130	3/4 Lock Washer
88371	7/8NC Nut	88341	7/8 Lock Washer

# 5FT OUTER WING

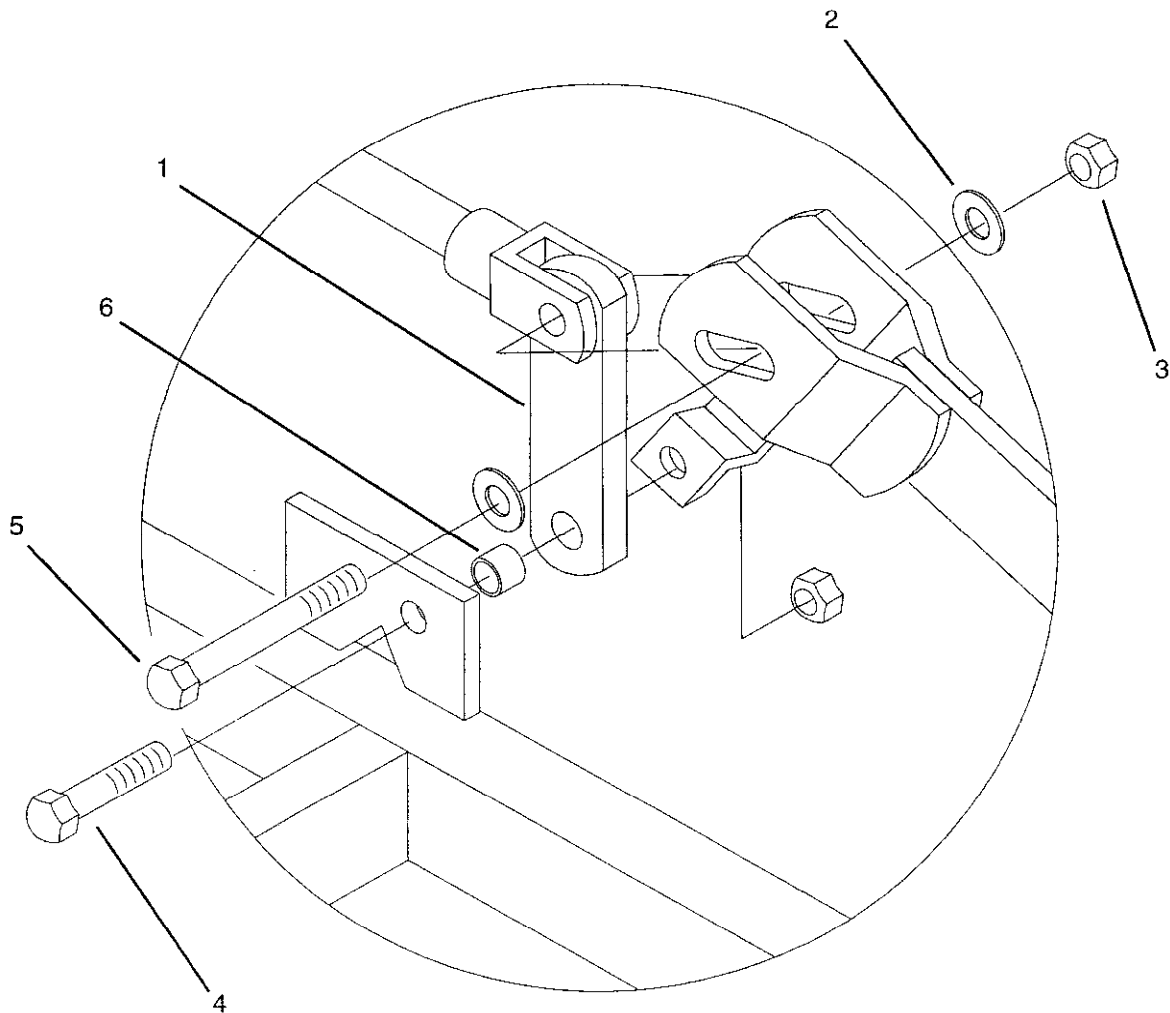
Serial Numbers 441249 & Below



ITEM	PART NO	DESCRIPTION	ITEM	PART NO	DESCRIPTION
1	88264	1NCx6 GR5 Bolt	18	88475	1/2NCx1-1/2 GR5 Bolt
2	88312	1NCx5 GR5 Bolt	19	55282	Right Front Hinge
3	51465	Lift Linkage		55283	Left Front Hinge
4	88348	1NC Lock Nut	20	88388	5/8NCx4x3-1/4 U-Bolt
5	51472	Lift Linkage	21	88292	5/8NCx3-1/2 GR5 Bolt
6	88399	1NCx3 GR5 Bolt	22	26817	Backing Plate
7	88348	1NC Lock Nut	23	88388	5/8NCx4x3-1/4 U-Bolt
8	51461	Right Rear Hinge	24	51656	Outer Wing Rest
	51462	Left Rear Hinge (Shown)	25	88501	5/8NCx4x4-1/4 U-Bolt
9	51466	Right 5' 5Bar Q5 Wing	26	51931	Wing Spacer
	51467	Left 5' 5Bar Q5 Wing			(Used w/3' & 5' Outer wings on 13' MF w/11"8" wings)
10	15485	Top Adjustment Assembly	27	88399	1NCx3 GR5 Bolt
11	88311	5/8NCx2-1/2x3-3/4 U-Bolt	28	51460	Left Anchor
12	88304	1/2NF Lock Nut		51459	Right Anchor
13	13142	95Lx15 Wheel Assembly	29	88348	1NC Lock Nut
	10236	15x6 Wheel Rim	30	51468	Bushing (.782IDx1"ODx1.06)
	16287	95Lx15 Tubeless Tire	31	88131	3/4 Flat Washer
	30784	Valve Stem	32	88475	1/2NCx1-1/2 GR5 Bolt
14	41233	1-3/4 Hub & Spindle	33	88503	5/8NCx3x5-1/4 U-Bolt
15	88313	1/2NFx3 GR5 Bolt	34	26815	8" Saddle Stub
16	26774	Gauge Wheel Leg			
17	51469	Shim (16GAx2-1/2x4)			

78357

# WING LIFT LINK ASSEMBLY - ALL WINGS



78441

ITEM	PART NO	DESCRIPTION
1	48522	Wing Lift Link
2	88196	1" Flat Washer
3	89075	1NC Lock Nut
4	88447	1NCx3-1/2 GR5 Bolt
5	88312	1NCx5 GR5 Bolt
6	48523	Wing Lift Bushing 1.032IDx1-1/4ODx1.06

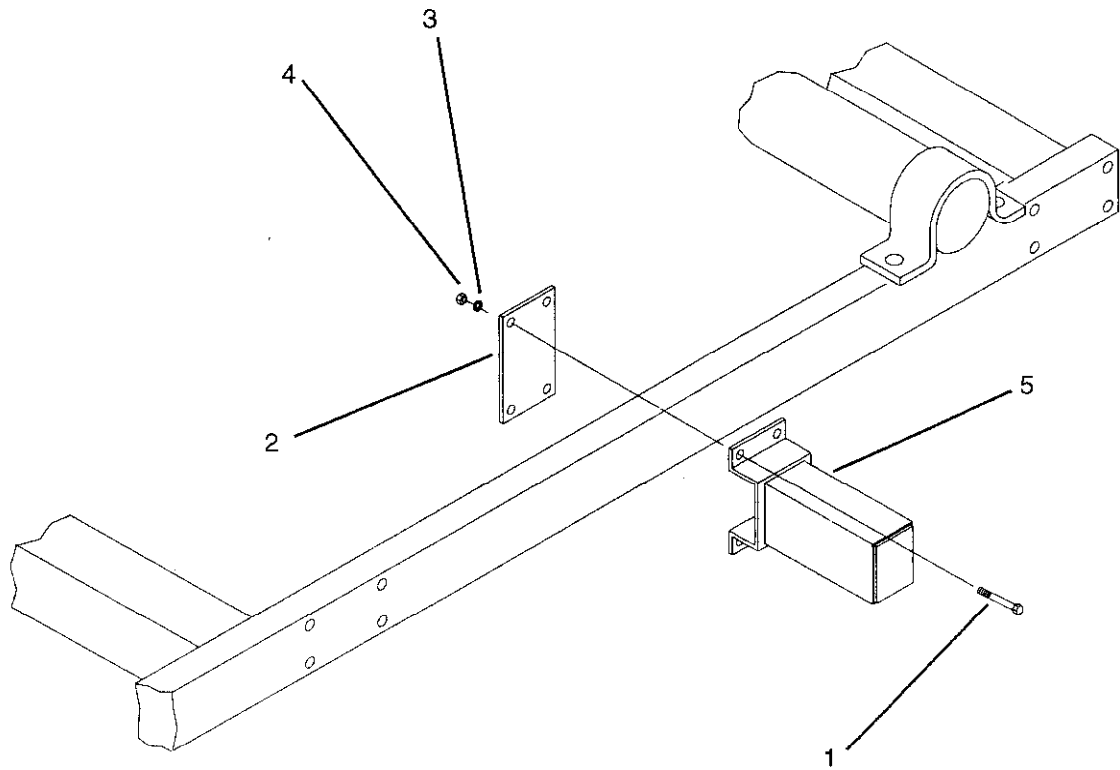
**Note: Standard nuts and lock washers are not called out. Anything other than standard will be called out.**

#### STANDARD NUTS AND LOCK WASHERS

88172	1/4NC Nut	88262	1/4 Lock Washer
88103	3/8NC Nut	88362	3/8 Lock Washer
88104	1/2NC Nut	88303	1/2 Lock Washer
88126	5/8NC Nut	88129	5/8 Lock Washer
88110	3/4NC Nut	88130	3/4 Lock Washer
88371	7/8NC Nut	88341	7/8 Lock Washer



# SADDLE STUB

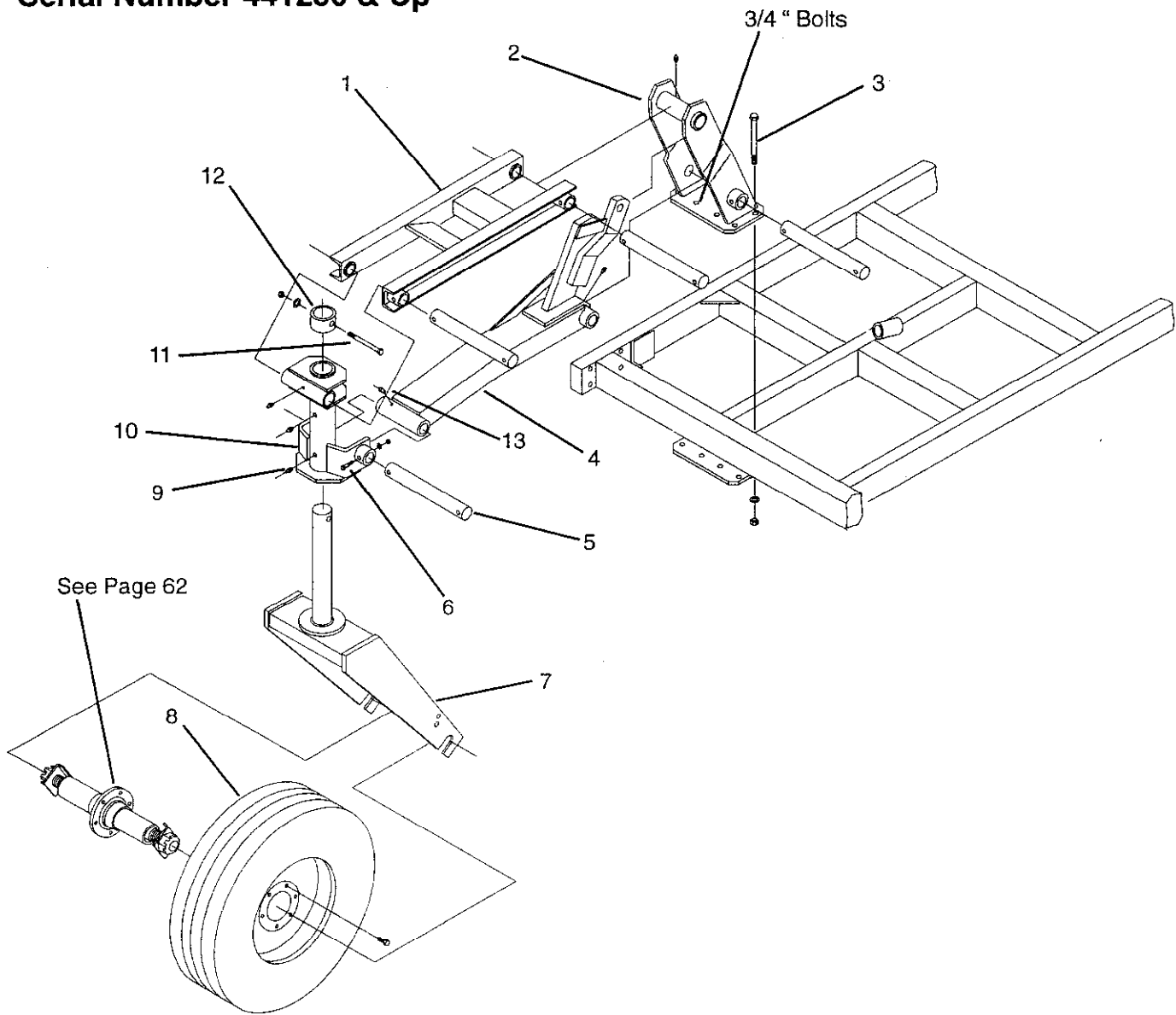


77824

ITEM	PART NO	DESCRIPTION
1	88475	1/2NCx1-1/2 GR5 Bolt
2	26817	Backing Plate
3	88303	1/2 Lock Washer
4	88104	1/2NC Nut
5	26815	8" Saddle Stub
	49025	12" Saddle Stub
	48536	20" Saddle Stub

# 8" GAUGE WHEEL-WING

Serial Number 441250 & Up



**ITEM PART NO**

**DESCRIPTION**

1	54559	Top Link Arm (8")
2	55659	Gauge Wheel Mast
3	88293	3/4NCx6 GR5 Bolt
4	61385	Left 8" Lower Link Arm
	61386	Right 8" Lower Link Arm
5	54595	Pivot Pin
6	88582	3/8NCx2-3/4 GR5 Bolt
7	58203	Yoke (18")
8	16290	95Lx 15 Wheel Assembly
	10498	15x8 Wheel Rim
	16287	95Lx15 Tubeless Tire
	30784	Valve Stem Assembly

**ITEM PART NO**

**DESCRIPTION**

9	88550	1/4NF Grease Fitting
10	54571	Gauge Wheel Pivot
11	88272	3/4NCx4 GR5 Bolt
12	16009	Collar
13	88778	1/4NF 45 Grease Fitting

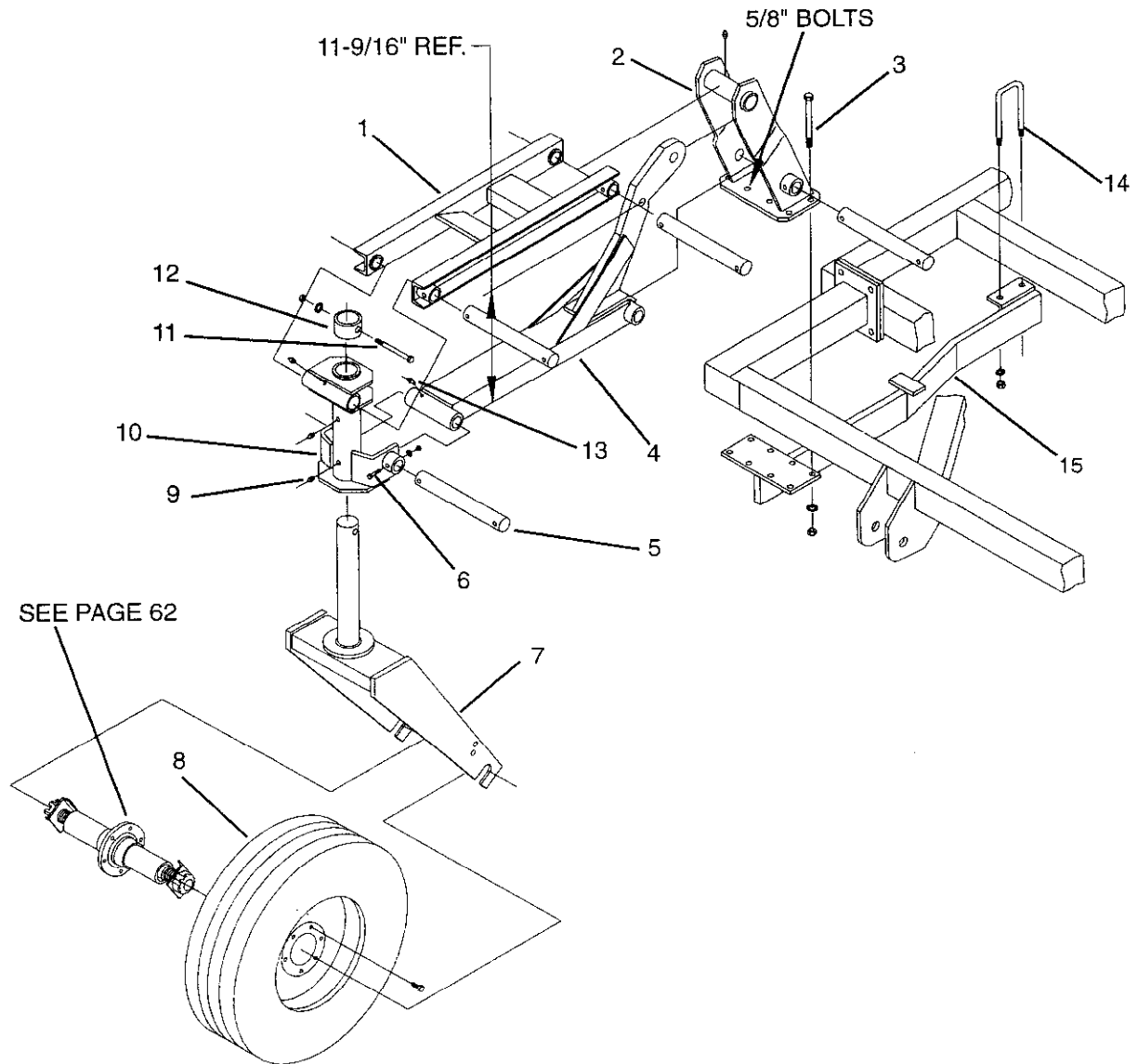
**Note: Standard nuts and lock washers are not called out. Anything other than standard will be called out.**

**STANDARD NUTS AND LOCK WASHERS**

88172	1/4NC Nut	88262	1/4 Lock Washer
88103	3/8NC Nut	88362	3/8 Lock Washer
88104	1/2NC Nut	88303	1/2 Lock Washer
88126	5/8NC Nut	88129	5/8 Lock Washer
88110	3/4NC Nut	88130	3/4 Lock Washer
88371	7/8NC Nut	88341	7/8 Lock Washer

# 8" GAUGE WHEEL-WING

Serial Number 441249 & Below



78469

ITEM	PART NO	DESCRIPTION
1	54559	Top Link Arm (8")
2	54563	Gauge Wheel Mast
3	88295	5/8NCx6 GR5 Bolt
4	54556	Lower Gauge Arm
5	54595	Pivot Pin
6	88582	3/8NCx2-3/4 GR5 Bolt
7	54734	Yoke (14")
8	16290	95Lx 15 Wheel Assembly
	10498	15x8 Wheel Rim
	16287	95Lx15 Tubeless Tire
	30784	Valve Stem Assembly

ITEM	PART NO	DESCRIPTION
9	88550	1/4NF Grease Fitting
10	54571	Gauge Wheel Pivot
11	88272	3/4NCx4 GR5 Bolt
12	16009	Collar
13	88778	1/4NF 45 Grease Fitting
14	88503	5/8NCx3x5-1/4 U-Bolt
15	54683	Mast Support Right (shown)

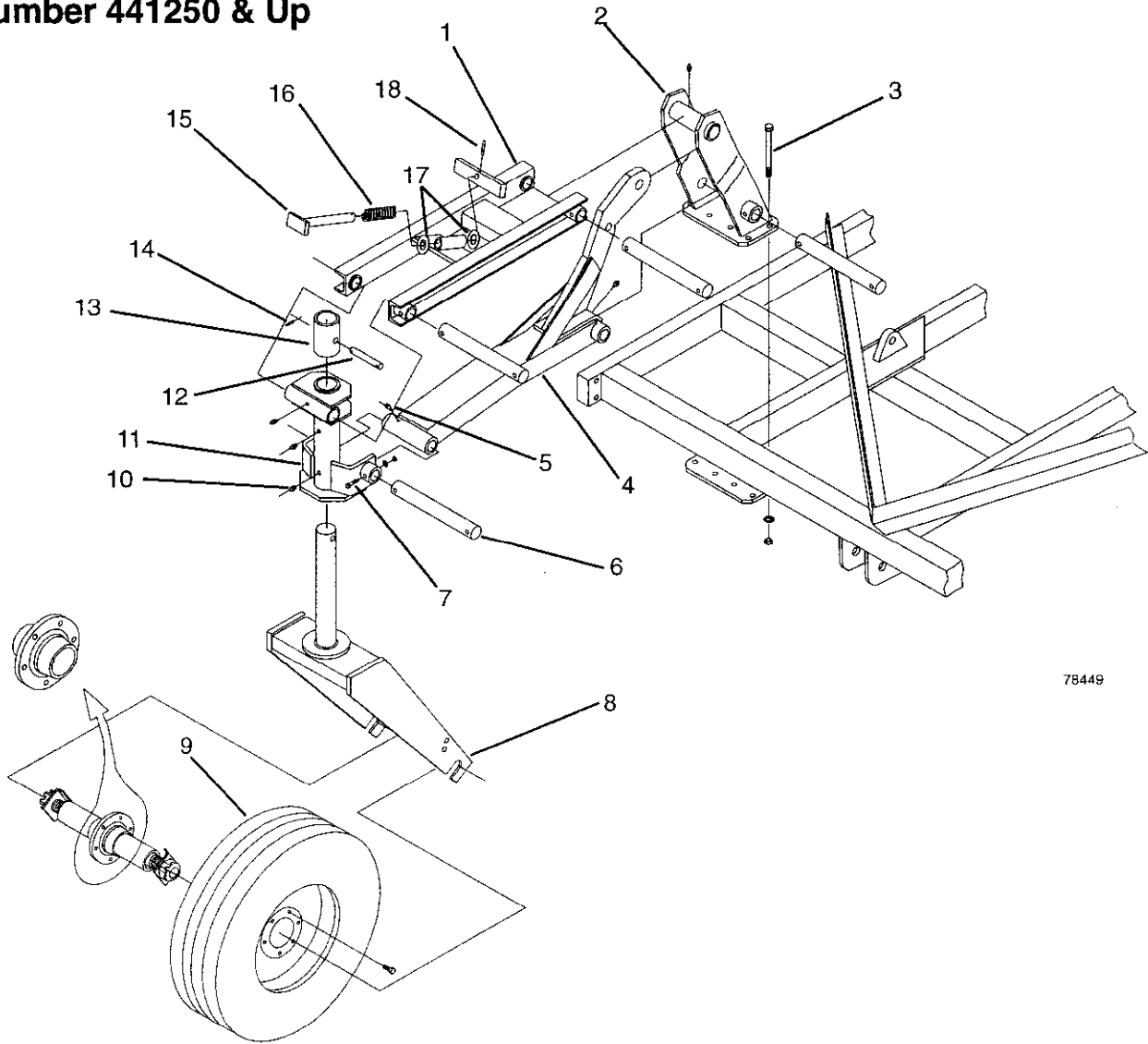
Note: Standard nuts and lock washers are not called out. Anything other than standard will be called out.

#### STANDARD NUTS AND LOCK WASHERS

88172	1/4NC Nut	88262	1/4 Lock Washer
88103	3/8NC Nut	88362	3/8 Lock Washer
88104	1/2NC Nut	88303	1/2 Lock Washer
88126	5/8NC Nut	88129	5/8 Lock Washer
88110	3/4NC Nut	88130	3/4 Lock Washer
88371	7/8NC Nut	88341	7/8 Lock Washer

# 9.3" GAUGE WHEEL-MAIN FRAME

Serial Number 441250 & Up



78449

**ITEM PART NO**

1	54809	Top Link Arm (8")
2	55659	Gauge Wheel Mast
3	88293	3/4NCx6 GR5 Bolt
4	61384	Lower Link Arm
5	88778	1/4NF 45 Grease Fitting
6	54595	Pivot Pin
7	88582	3/8NCx2-3/4 GR5 Bolt
8	58203	Yoke (18")
9	16290	95Lx 15 Wheel Assembly
	10498	15x8 Wheel Rim
	16287	95Lx15 Tubeless Tire
	30784	Valve Stem Assembly
10	88550	1/4NF Grease Fitting
11	54571	Gauge Wheel Pivot
12	55152	3/4x4 Pin
13	55151	Collar

**ITEM PART NO**

14	88648	1/4x1-1/4 Roll Pin
15	62805	Spring Pin
16	54834	4-1/2" Compression Spring
17	88738	1" SAE Flat Washer
18	62804	Pin Guide
19	88628	Roll Pin

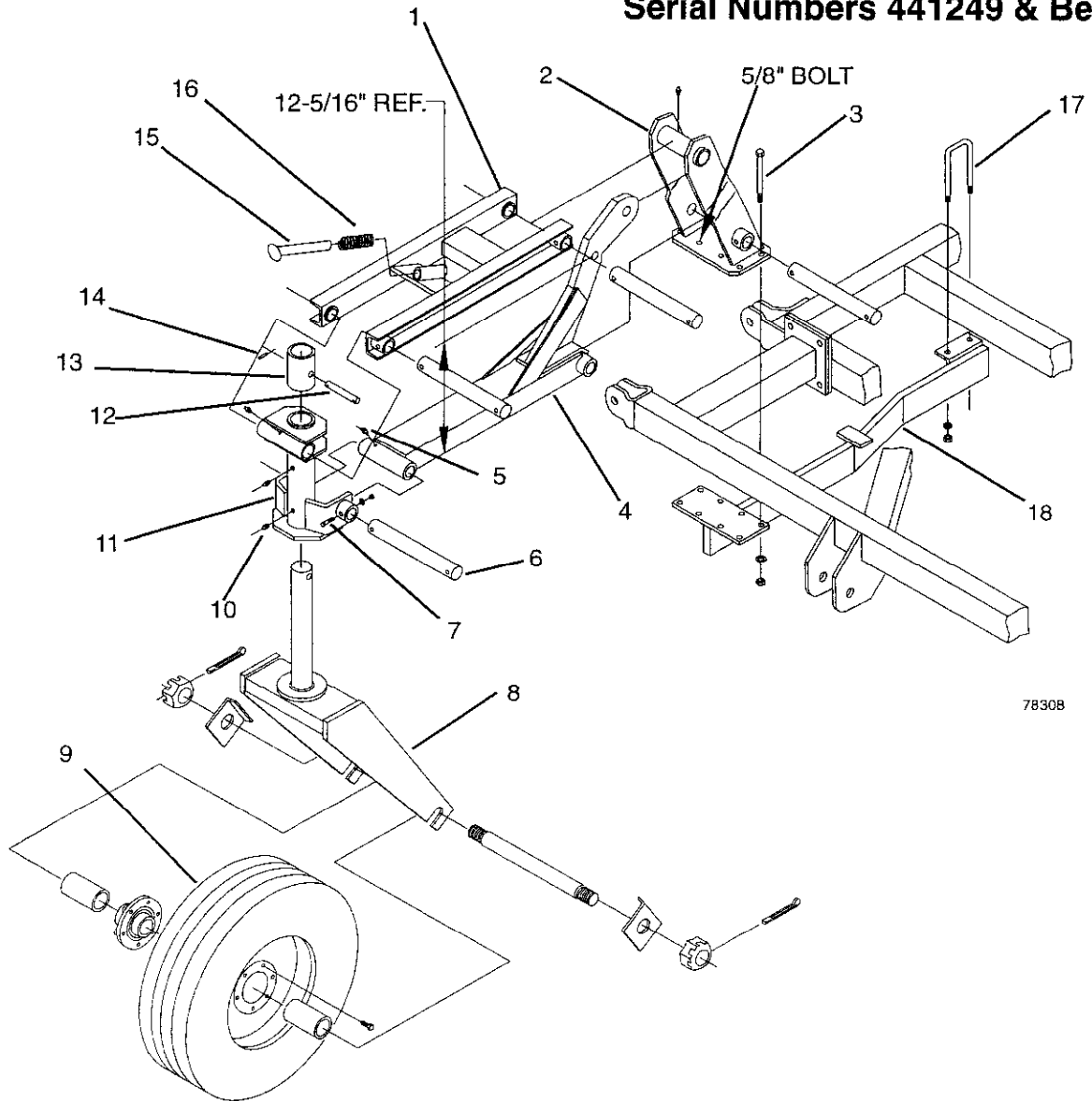
**Note: Standard nuts and lock washers are not called out. Anything other than standard will be called out.**

**STANDARD NUTS AND LOCK WASHERS**

88172	1/4NC Nut	88262	1/4 Lock Washer
88103	3/8NC Nut	88362	3/8 Lock Washer
88104	1/2NC Nut	88303	1/2 Lock Washer
88126	5/8NC Nut	88129	5/8 Lock Washer
88110	3/4NC Nut	88130	3/4 Lock Washer
88371	7/8NC Nut	88341	7/8 Lock Washer

# 9.3" GAUGE WHEEL-MAIN FRAME

Serial Numbers 441249 & Below



78308

ITEM	PART NO	DESCRIPTION
1	54809	Top Link Arm (8")
2	54563	Gauge Wheel Mast
3	88295	5/8NCx6 GR5 Bolt
4	54557	Lower Link Arm
5	88778	1/4NF 45 Grease Fitting
6	54595	Pivot Pin
7	88582	3/8NCx2-3/4 GR5 Bolt
8	54734	Yoke (14" Width)
9	16290	95Lx 15 Wheel Assembly
	10498	15x8 Wheel Rim
	16287	95Lx15 Tubeless Tire
	30784	Valve Stem Assembly
10	88550	1/4NF Grease Fitting
11	54571	Gauge Wheel Pivot
12	55152	3/4x4 Pin
13	55151	Collar

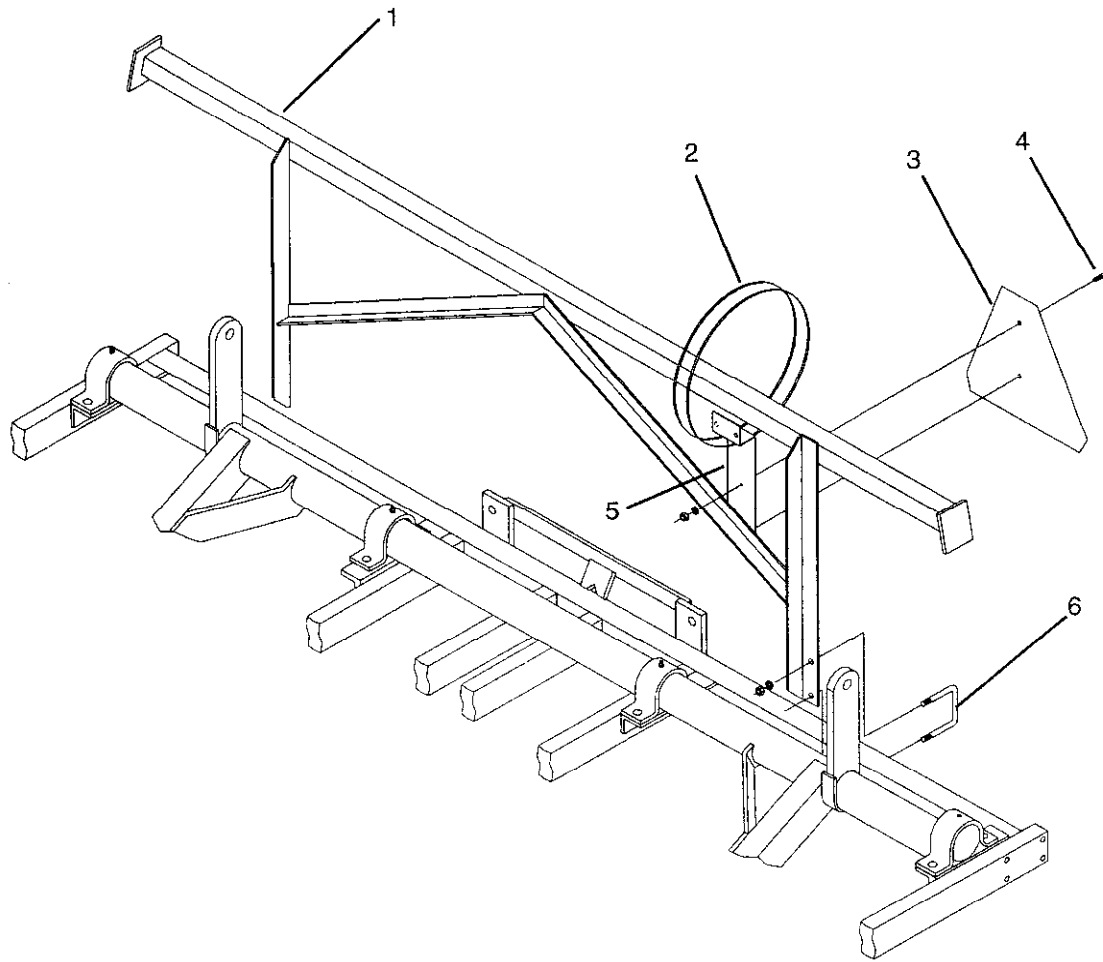
ITEM	PART NO	DESCRIPTION
14	88648	1/4x1-1/4 Roll Pin
15	54827	Spring Pin
16	54834	4-1/2" Compression Spring
17	88503	5/8NCx3x5-1/4 U-Bolt
18	54683	Mast Support Right (Shown)
	54684	Mast Support Left

**Note: Standard nuts and lock washers are not called out. Anything other than standard will be called out.**

**STANDARD NUTS AND LOCK WASHERS**

88172	1/4NC Nut	88262	1/4 Lock Washer
88103	3/8NC Nut	88362	3/8 Lock Washer
88104	1/2NC Nut	88303	1/2 Lock Washer
88126	5/8NC Nut	88129	5/8 Lock Washer
88110	3/4NC Nut	88130	3/4 Lock Washer
88371	7/8NC Nut	88341	7/8 Lock Washer

# 11' WING REST



79083C

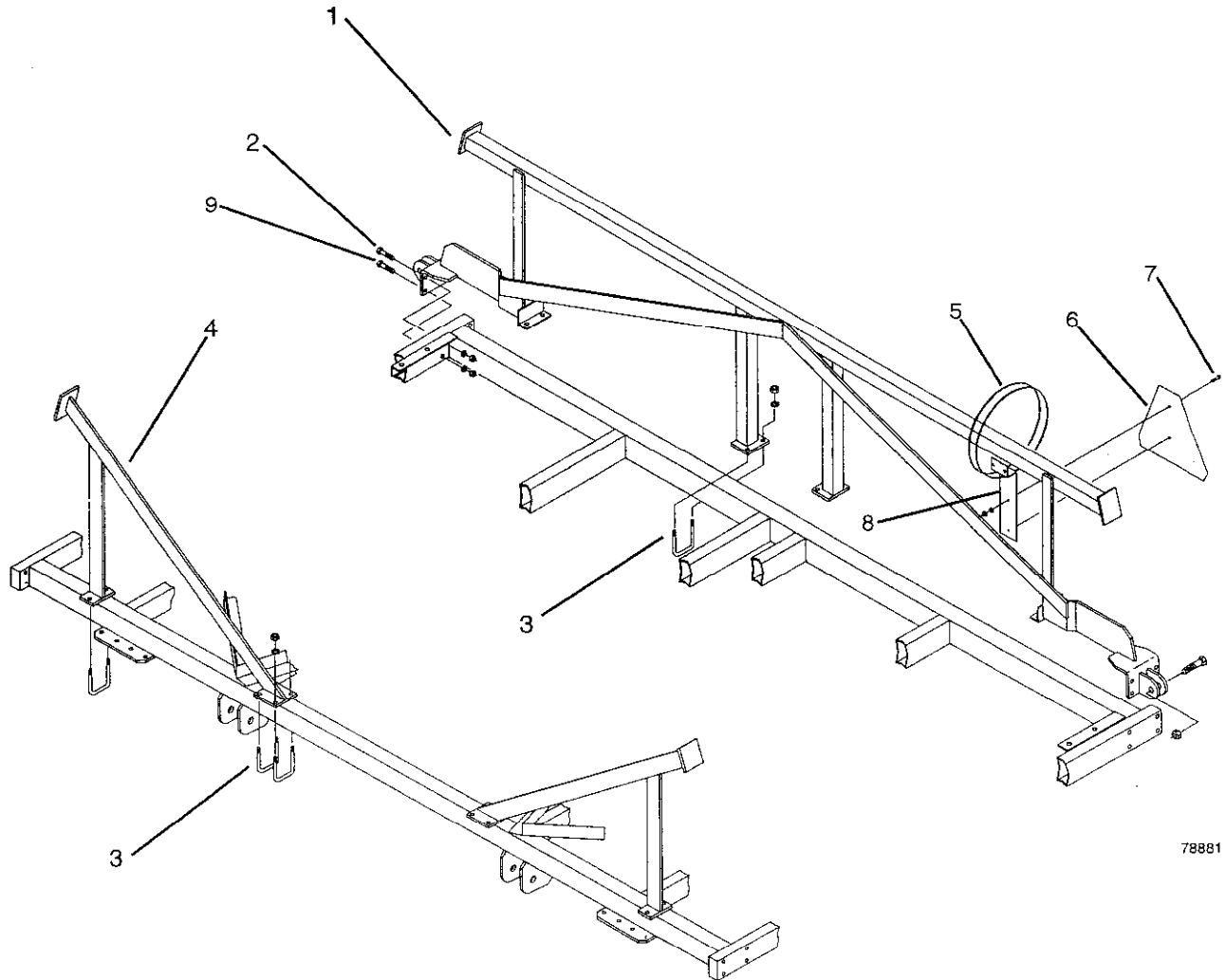
ITEM	PART NO	DESCRIPTION
1	66314	11' Wing Rest
2	33096	Nylon Tie Wrap
3	30651	SMV Emblem
	41345	SMV Kit (Includes Items 2-6)
4	88351	1/4NCx3/4 Bolt
5	41359	SMV Bracket
6	88501	5/8NCx4x4-1/4 U-Bolt

**Note: Standard nuts and lock washers are not called out. Anything other than standard will be called out.**

#### STANDARD NUTS AND LOCK WASHERS

88172	1/4NC Nut	88262	1/4 Lock Washer
88103	3/8NC Nut	88362	3/8 Lock Washer
88104	1/2NC Nut	88303	1/2 Lock Washer
88126	5/8NC Nut	88129	5/8 Lock Washer
88110	3/4NC Nut	88130	3/4 Lock Washer
88371	7/8NC Nut	88341	7/8 Lock Washer

# WING REST



78881

ITEM	PART NO	DESCRIPTION
1	61236	13' 5Bar Q5 Wing Rest
	61237	16' 5Bar Q5 Wing Rest (Serial Numbers 441250 & Up)
	48512	3411 Wing Rest
	48514	3450 Wing Rest (Serial Numbers 441249 & Down)
2	88298	5/8NCx4 GR5 Bolt
	88503	5/8NCx3x5-1/4 U-Bolt
4	55769	5Bar Q5 Single Wing Rest (Serial Numbers 441250 & Up)
	55036	Front Wing Rest (Serial Numbers 441249 & Down)
	33096	Nylon Tie Wrap
5	30651	SMV Emblem
	41345	SMV Kit (Includes Items 5-8)

ITEM	PART NO	DESCRIPTION
7	88351	1/4NCx3/4 Bolt
8	41359	SMV Bracket
9	88501	5/8NCx3-1/2 GR5 Bolt

**Note: Standard nuts and lock washers are not called out. Anything other than standard will be called out.**

#### STANDARD NUTS AND LOCK WASHERS

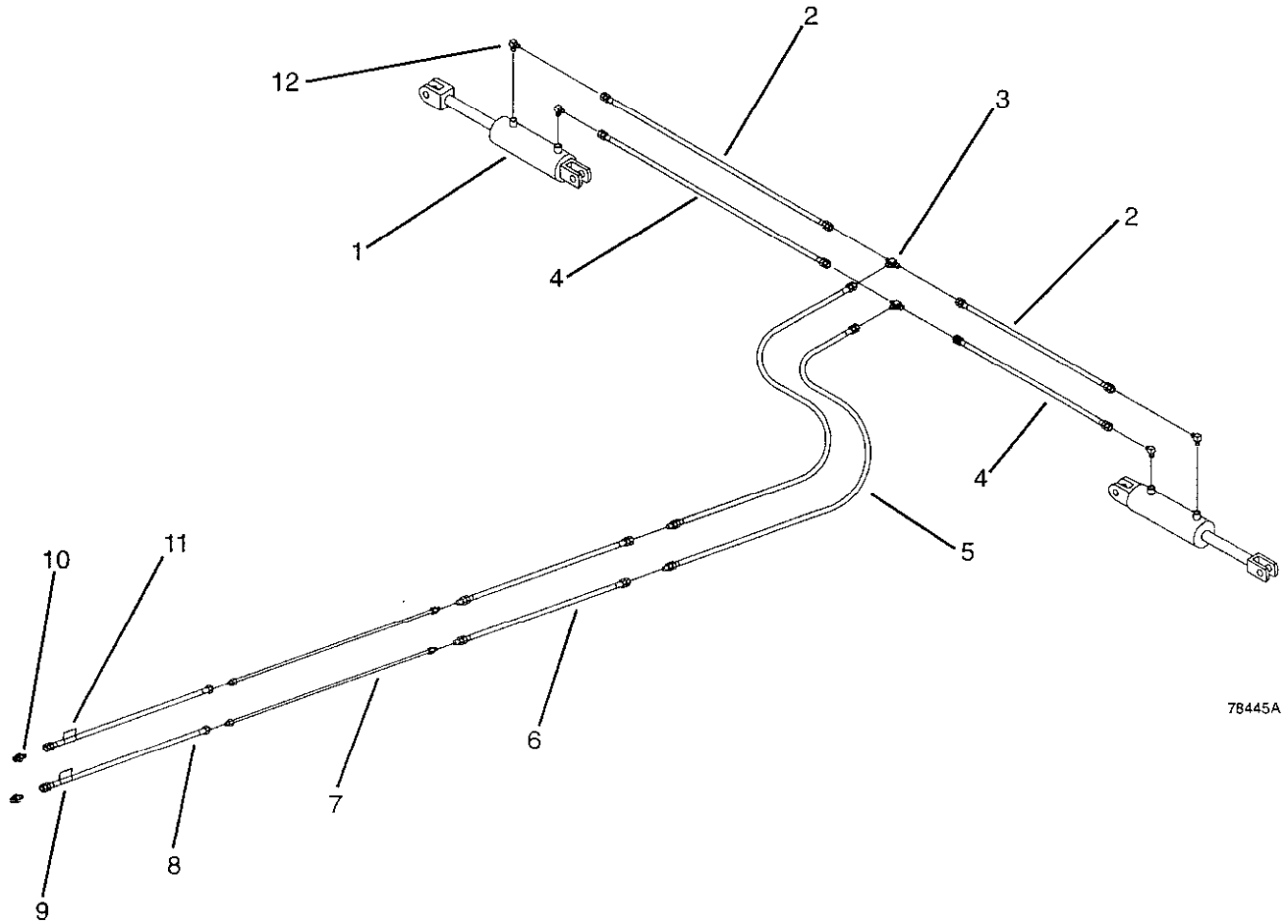
88172	1/4NC Nut	88262	1/4 Lock Washer
88103	3/8NC Nut	88362	3/8 Lock Washer
88104	1/2NC Nut	88303	1/2 Lock Washer
88126	5/8NC Nut	88129	5/8 Lock Washer
88110	3/4NC Nut	88130	3/4 Lock Washer
88371	7/8NC Nut	88341	7/8 Lock Washer





# WING LIFT HYDRAULICS

11' MF - 7' Wing

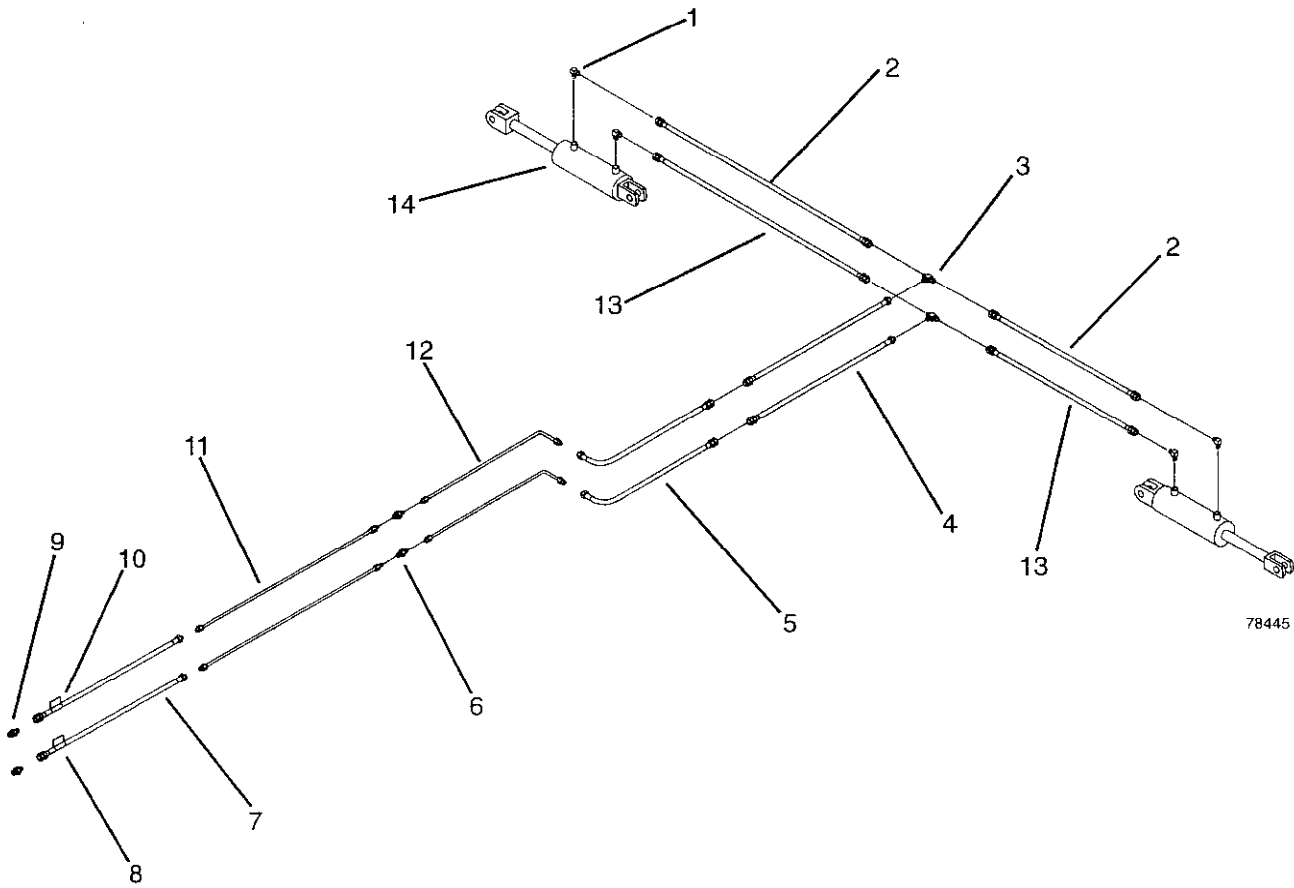


78445A

ITEM	PART NO	DESCRIPTION
1	51229	4x30 Cylinder
2	25602	3/8x65 Hose FF
3	13238	3/4JIC Tube Tee
4	25596	3/8x32 Hose FF
5	13580	3/8x96 Hose MF
6	24569	3/8x80 Hose FF
7	13255	1/2x110 Hyd Tube
8	13267	3/8x72 Hose MF
9	54901	Wings Down Decal
10	13234	3/4JICx1/2NPT Coupler Adapter
11	54900	Wings Up Decal
12	13235	3/4JICx3/8NPT Elbow

# WING LIFT HYDRAULICS - 7' WING

Serial Numbers 441250 & Up

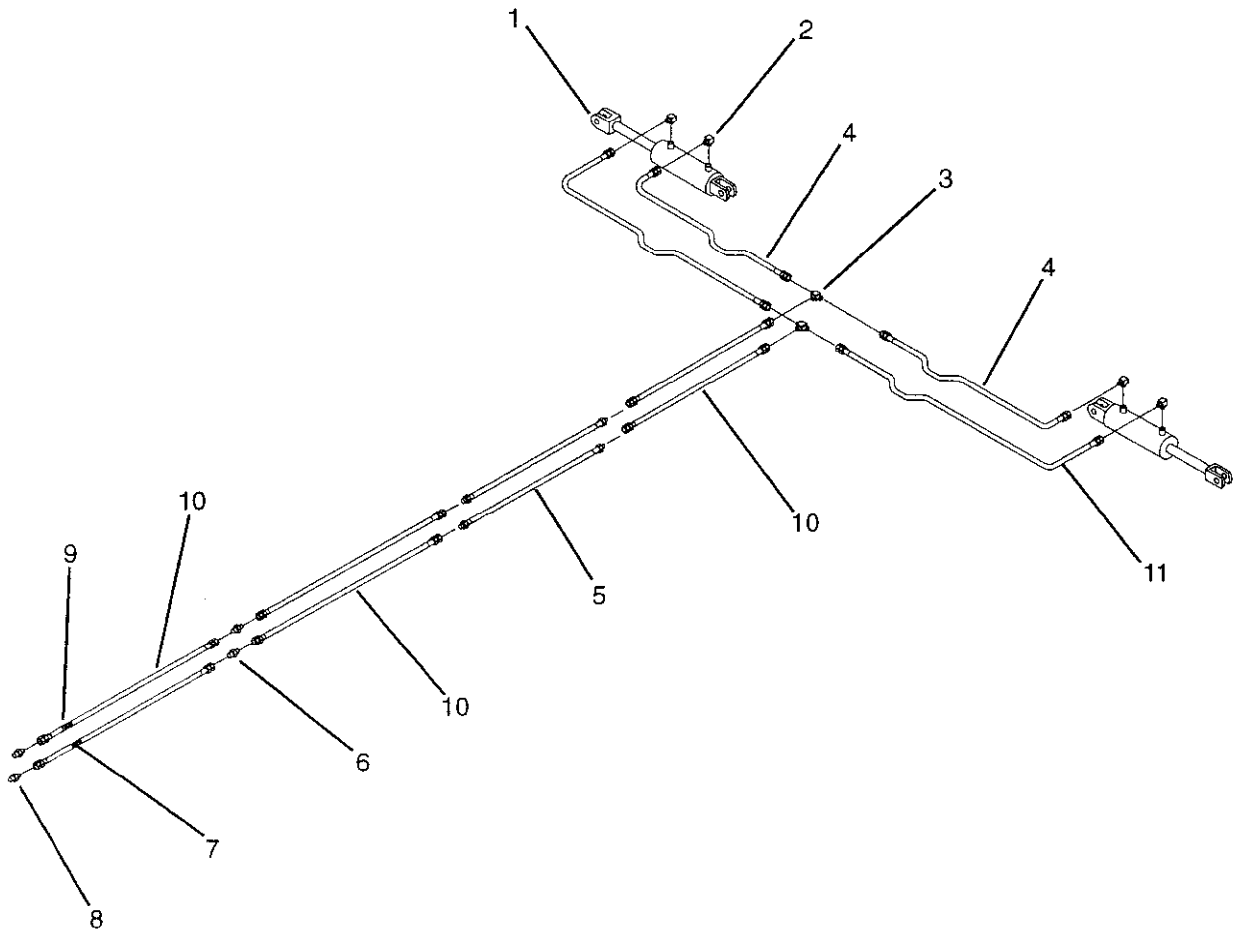


ITEM	PART NO	DESCRIPTION
1	13235	3/4JICx3/8NPT Port Elbow
2	25603	3/8x75 Hose FF
3	13238	3/4JIC Tube Tee
4	13267	3/8x72 Hose MF
5	13264	3/8x48 Hose MF
6	13239	3/4JIC Hose Union
7	13267	3/8x72 Hose MF

ITEM	PART NO	DESCRIPTION
8	54901	Wing Down Decal
9	13234	3/4JICx1/2NPT Coupler Adapter
10	54900	Wing Up Decal
11	20465	1/2x48 Hyd Tube
12	13258	1/2x60+2 Hyd Tube
13	14851	3/8x42 Hose FF
14	51229	4x30 Cylinder

# WING LIFT HYDRAULICS - 7' WING

Serial Numbers 441249 & Below



78309

## ITEM PART NO

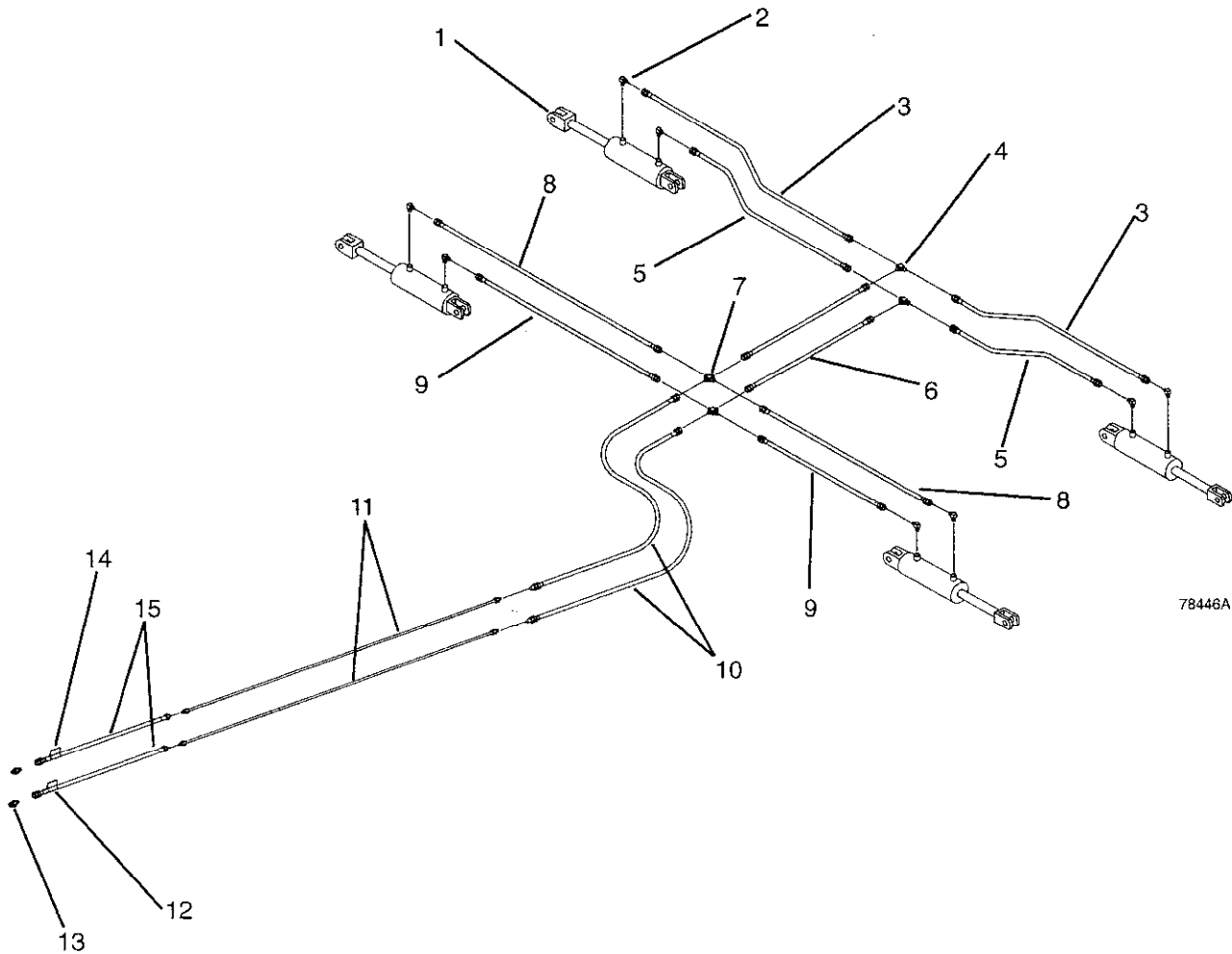
ITEM PART NO	DESCRIPTION
1 51229	4x30 Cylinder
2 13235	3/4JICx3/8NPT Port Elbow
3 13238	3/4JIC Tube Tee
4 13261	3/8x30 Hose MF
5 15995	3/8x24 Hose MF
6 13239	3/4JIC Hose Union

## ITEM PART NO

ITEM PART NO	DESCRIPTION
7 54900	Wing Up Decal
8 13234	3/4JICx1/2NPT Coupler Adapter
9 54901	Wing Down Decal
10 13482	3/8x108 Hose FF
11 15515	3/8x62 Hose FF

# WING LIFT HYDRAULICS

## 11' MF - 9'4" WING



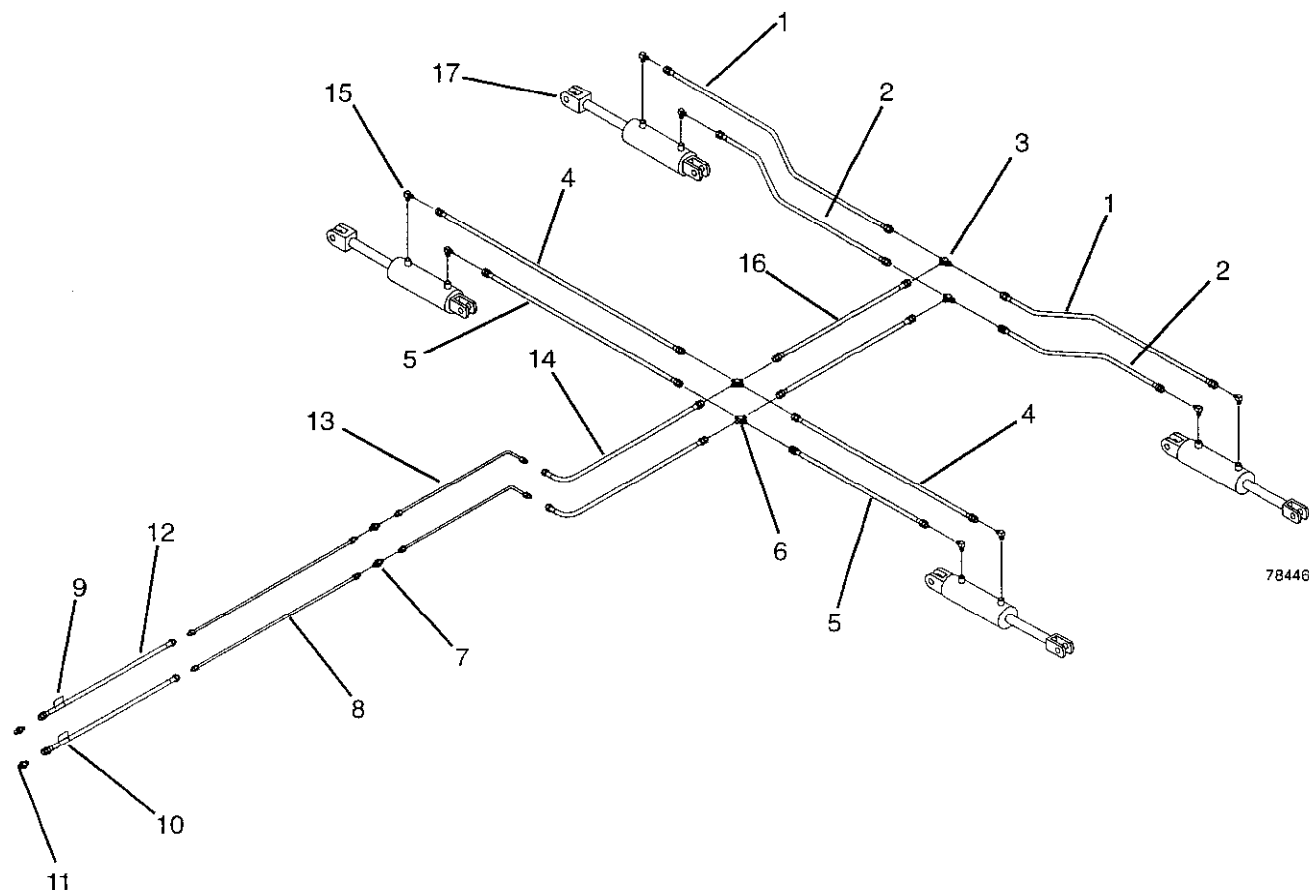
78446A

ITEM	PART NO	DESCRIPTION	ITEM	PART NO	DESCRIPTION
1	51229	4x30 Cylinder	9	25595	3/8x26 Hose FF
2	13235	3/4JICx3/8NPT Elbow	10	24182	3/8x84 Hose MF
3	15515	3/8x62 Hose FF	11	13255	1/2x110 Hyd Tube
4	13238	3/4JIC Tube Tee	12	54901	Wing Down Decal
5	13261	3/8x30 Hose FF	13	13234	3/4JICx1/2NPT Coupler Adapter
6	25603	3/8x75 Hose FF	14	54900	Wing Up Decal
7	15910	3/4JIC Cross	15	13267	3/8x72 Hose MF
8	56539	3/8x50 Hose FF			

# WING LIFT HYDRAULICS

13' MF w/ 9'4" & 11'8" WINGS

Serial Numbers 441250 & Up

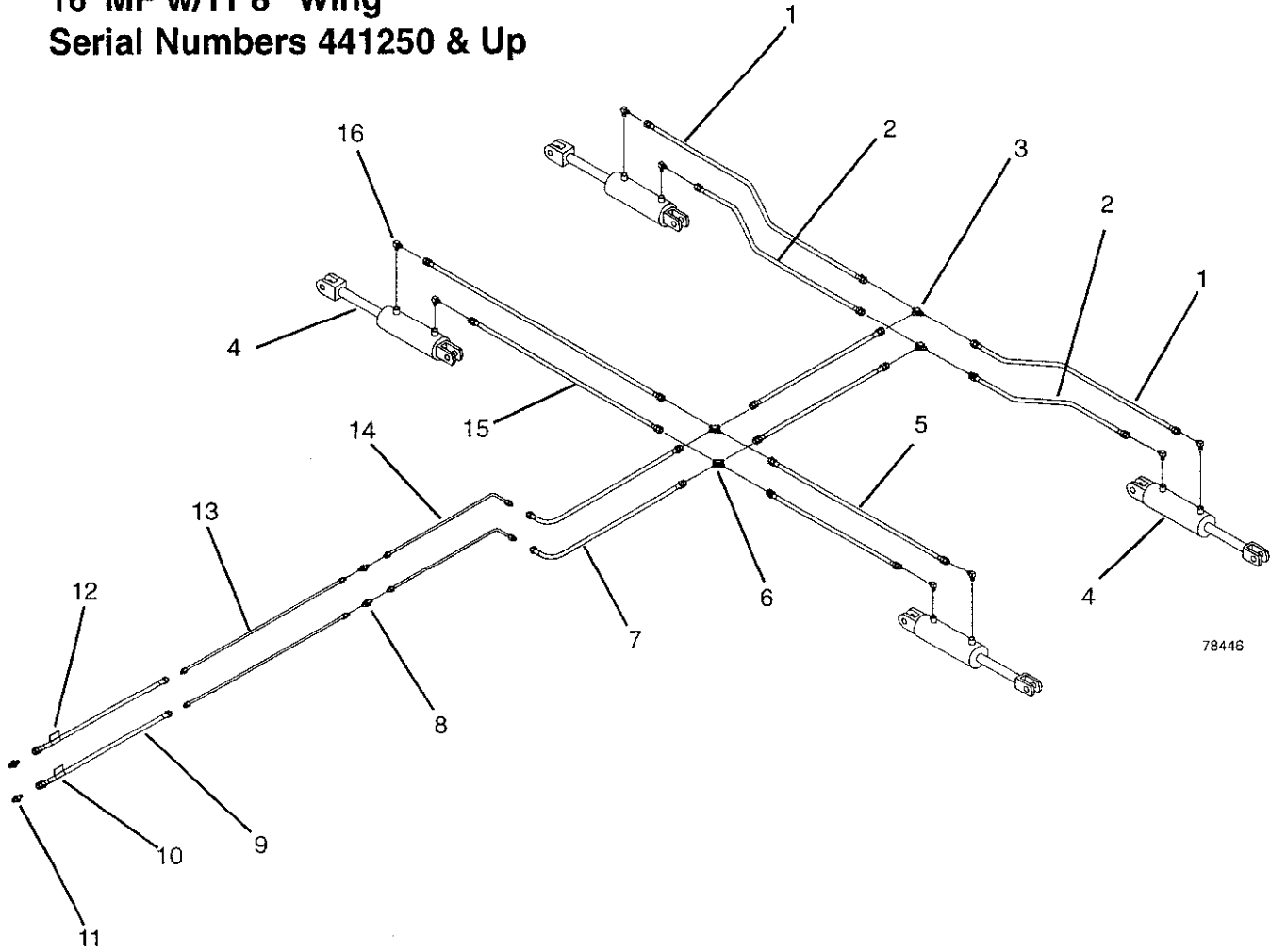


ITEM	PART NO	DESCRIPTION
1	25603	3/8x75 Hose FF
2	14851	3/8x42 Hose FF
3	13238	3/4JIC Tube Tee
4	25602	3/8x65 Hose MF
5	14644	3/8x36 Hose MF
6	15910	3/4JIC Cross
7	13239	3/4JIC Hose Union
8	20465	1/2x48 Hyd Tube (13'MF)

ITEM	PART NO	DESCRIPTION
9	54900	Wing Up Decal
10	54901	Wing Down Decal
11	13234	3/4JICx1/2NPT Coupler Adapter
12	13267	3/8x72 Hose MF
13	13258	1/2x60+2 Hyd Tube
14	13264	3/8x48 Hose MF
15	13235	3/4JICx3/8NPT Port Elbow
16	25603	3/8x75 Hose FF
17	51229	4x30 Cylinder

# WING LIFT HYDRAULICS

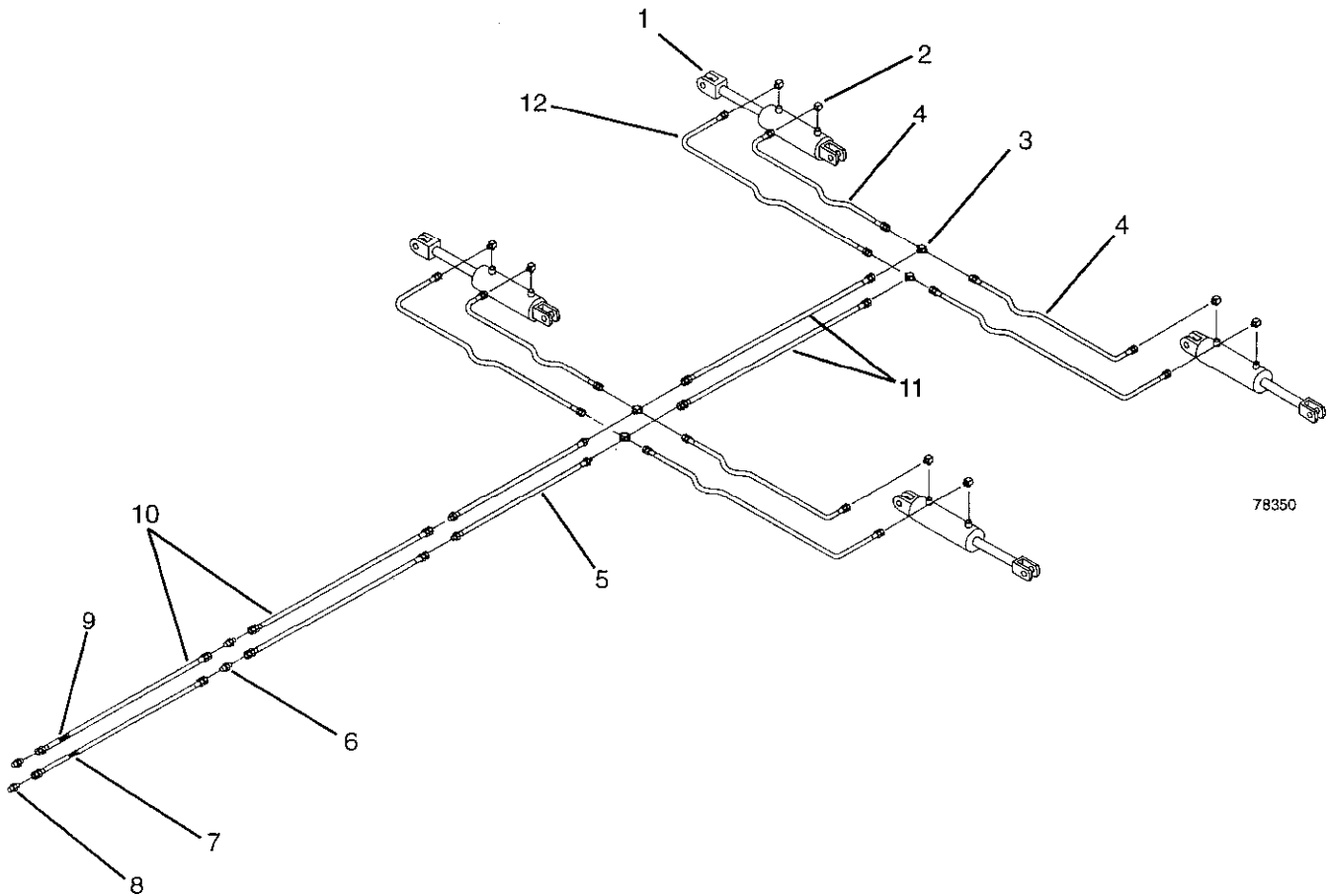
16' MF w/11'8" Wing  
Serial Numbers 441250 & Up



ITEM	PART NO	DESCRIPTION	ITEM	PART NO	DESCRIPTION
1	54540	3/8x89 Hose FF	9	13267	3/8x72 Hose MF
2	13265	3/8x56 Hose FF	10	54901	Wings Down Decal
3	13238	3/4JIC Tube Tee	11	13234	3/4JICx1/2NPT Coupler Adapter
4	51229	4x30 Cylinder	12	54900	Wings Up Decal
5	13268	3/8x78 Hose FF	13	13254	1/2x80 Hyd Tube
6	15910	3/4JIC Tube Cross	14	13258	1/2x60+2 Hyd Tube
7	13264	3/8x48 Hose MF	15	56539	3/8x50 Hose FF
8	13239	3/4JIC Hose Union	16	13235	3/4JICx3/8NPT Port Elbow

# WING LIFT HYDRAULICS

13' MF & 16' MF w/9'4" & 11'8" WINGS  
Serial Number 441249 & Below

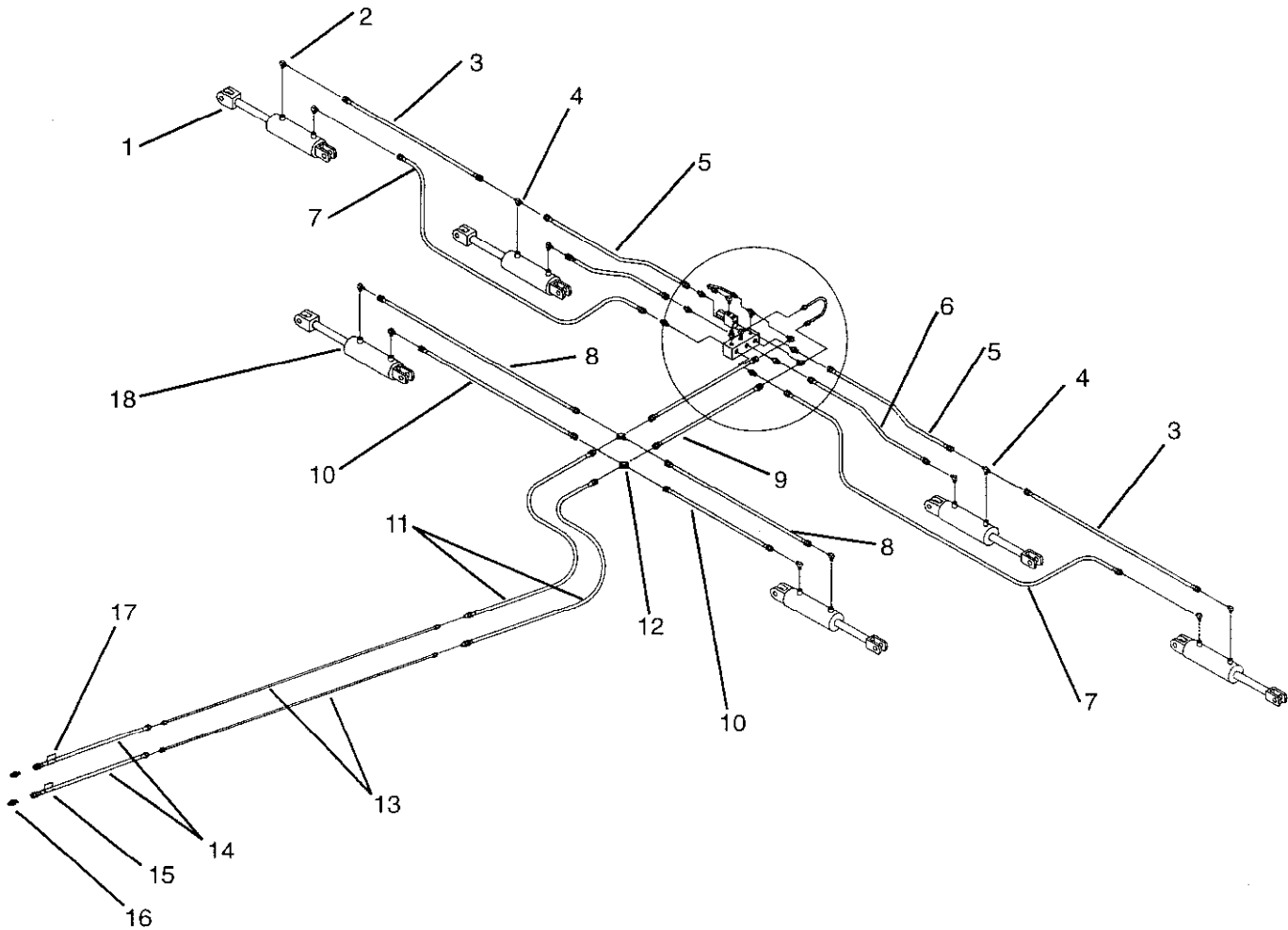


ITEM	PART NO	DESCRIPTION
1	51229	4x30 Cylinder
2	13235	3/4JICx3/8NPT Port Elbow
3	13238	3/4JIC Tube Tee
4	13261	3/8x30 Hose FF (13' MF)
	14851	3/8x42 Hose FF (16' MF)
5	13266	3/8x60 Hose MF (13' MF)
	13269	3/8x84 Hose MF (16' MF)

ITEM	PART NO	DESCRIPTION
6	13239	3/4JIC Hose Union
7	54900	Wing Up Decal
8	13234	3/4JICx1/2NPT Coupler Adapter
9	54901	Wing Down Decal
10	13482	3/8x108 Hose FF
11	15515	3/8x62 Hose FF
12	15515	3/8x62 Hose FF (13' MF)
	13268	3/8x78 Hose FF (16' MF)

# WING LIFT HYDRAULICS

11' MF, 9'4" w/5' OUTER WING



**ITEM PART NO**

**DESCRIPTION**

1	51235	3-1/2x24 Cylinder
2	13235	3/4JICx3/8NPT Port Elbow
3	13483	3/8x120 Hose FF
4	13237	3/8Cylinder Port Tee
4	25602	3/8x65 Hose FF
6	14851	3/8x42 Hose FF
7	13484	3/8x156 Hose FF
8	56539	3/8x50 Hose FF
9	25603	3/8x75 Hose FF

**ITEM PART NO**

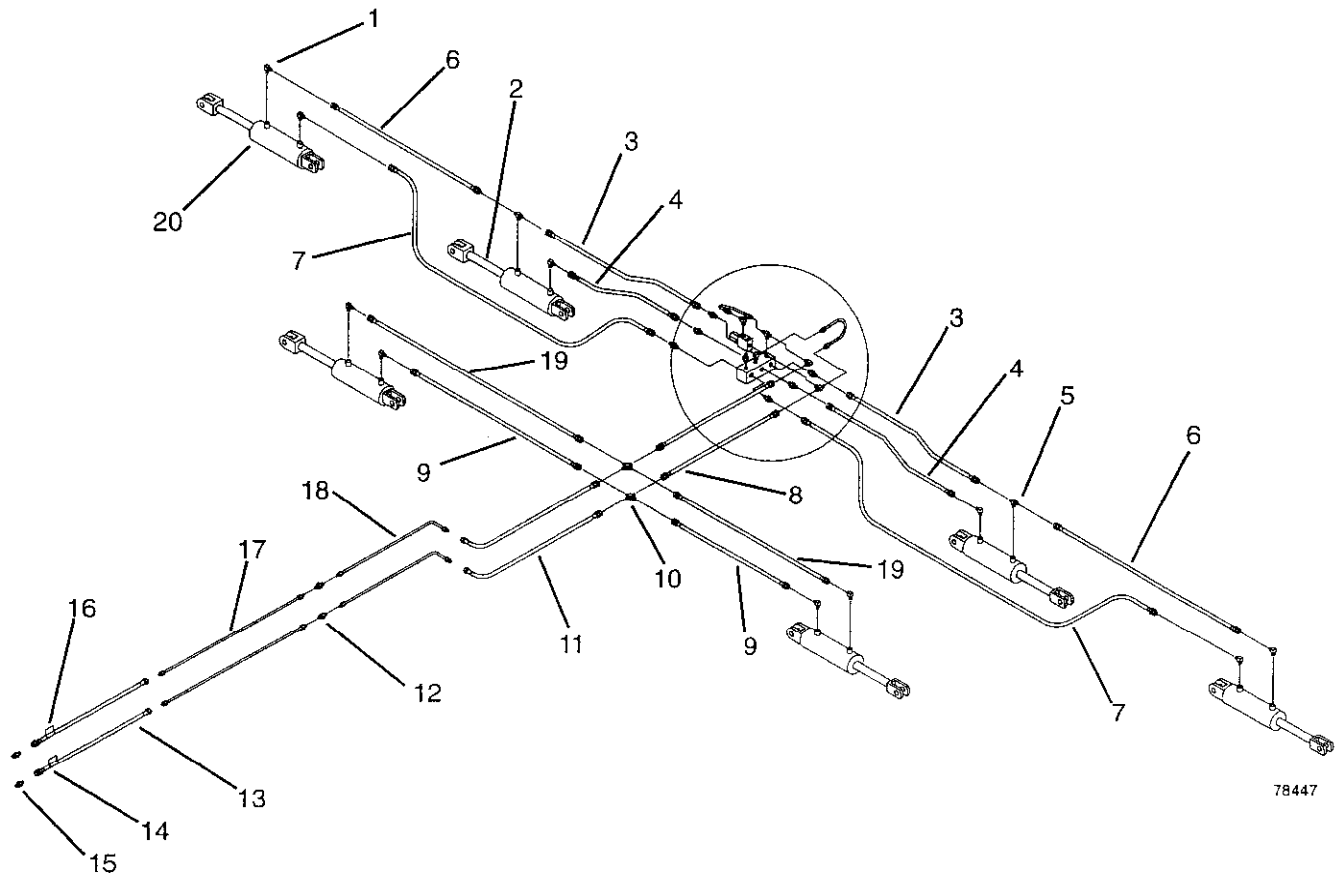
**DESCRIPTION**

10	25595	3/8x26 Hose FF
11	24182	3/8x84 Hose MF
12	15910	3/4JIC Cross
13	13255	1/2x110 Hyd Tube
14	13267	3/8x72 Hose MF
15	54901	Wings Down Decal
16	13234	Adapter
17	54900	Wings Down Decal
18	51229	4x30 Cylinder



# WING LIFT HYDRAULICS

13 MF, 9'4" w/3' OR 5' OUTER WING  
Serial Numbers 441250 & Up



**ITEM PART NO**

ITEM	PART NO	DESCRIPTION
1	13235	3/4JICx3/8NPT Port Elbow
2	51229	4x30 Cylinder
3	25603	3/8X75 Hose FF
4	14851	3/8x42 Hose FF
5	13237	3/8 Cylinder Port Tee
6	13483	3/8x120 Hose FF
7	13484	3/8x156 Hose FF
8	25603	3/8X75 Hose FF
9	14644	3/8x36 Hose FF
10	15910	3/4JIC Cross

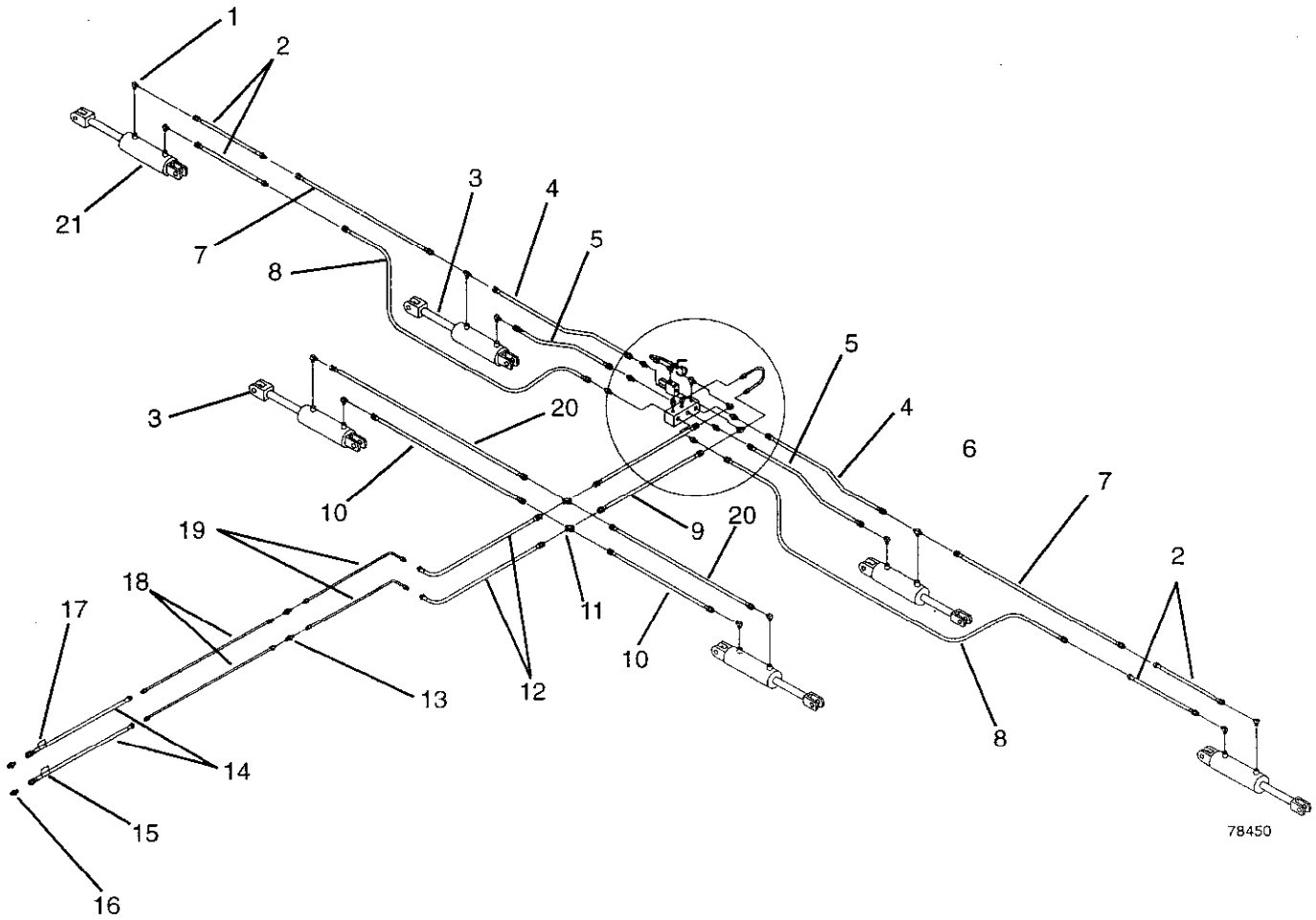
**ITEM PART NO**

ITEM	PART NO	DESCRIPTION
11	13264	3/8x48 Hose MF
12	13239	3/4JIC Hose Union
13	13267	3/8x72 Hose MF
14	54901	Wings Down Decal
15	13234	3/4JICx1/2NPT Coupler Adapter
16	54900	Wings Up Decal
17	20465	1/2x48 Hyd Tube
18	13258	1/2x60+2 Hyd Tube
19	25602	3/8x65 Hose FF
20	51235	3-1/2x24 Cylinder

# WING LIFT HYDRAULICS

13'MF, 11'8" WING w/3' OR 5' OUTER WINGS

Serial Numbers 441250 & Up

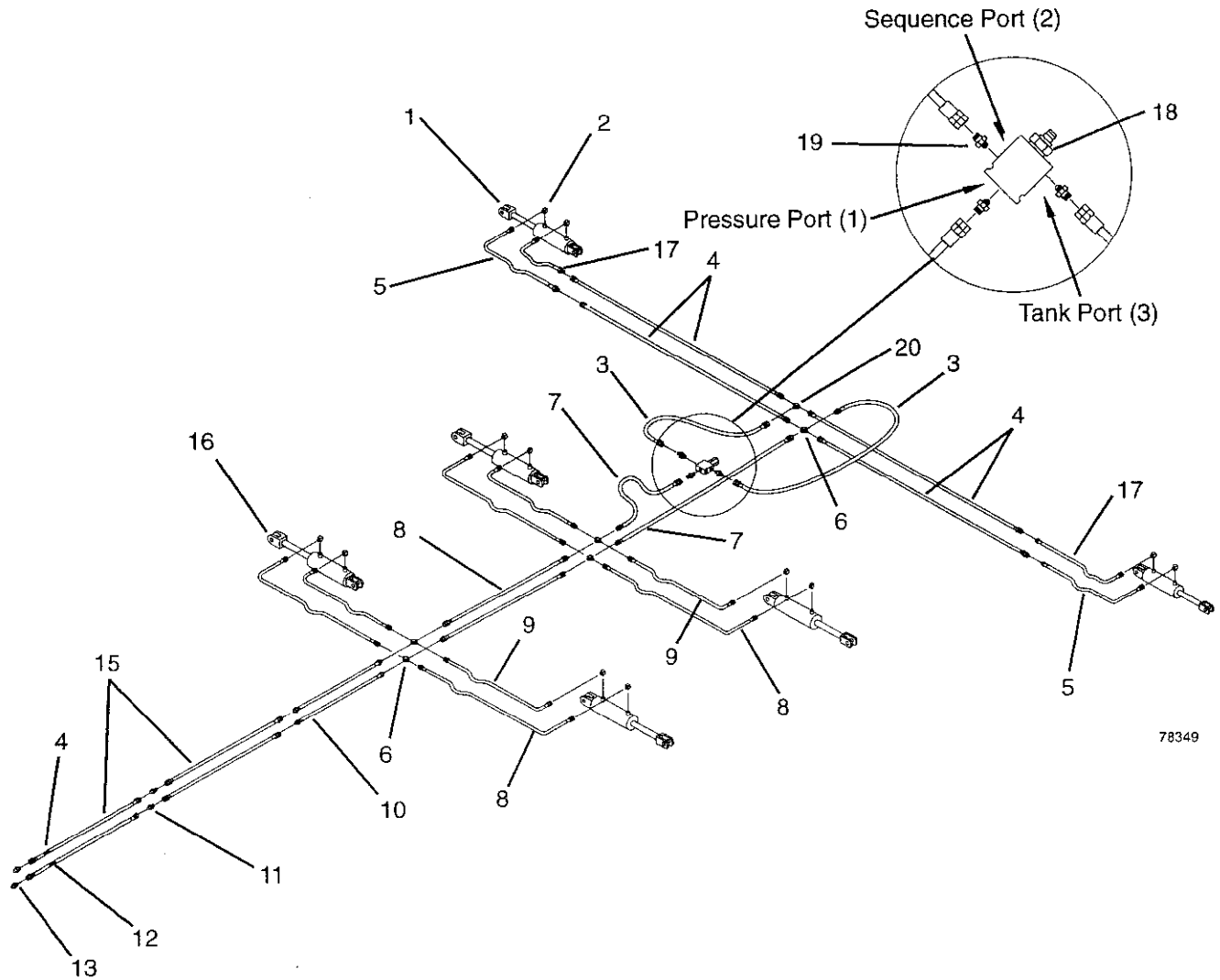


ITEM	PART NO	DESCRIPTION
1	13235	3/4JICx3/8NPT Port Elbow
2	13262	3/8x30 Hose MF
3	51229	4x30 Cylinder
4	25603	3/8x75 Hose FF
5	14851	3/8x42 Hose FF
6	13237	3/8 Cylinder Port Tee
7	13483	3/8x120 Hose FF
8	13484	3/8x156 Hose FF
9	25603	3/8x75 Hose FF
10	14644	3/8x36 Hose FF

ITEM	PART NO	DESCRIPTION
11	15910	3/4JIC Tube Cross
12	13264	3/8x48 Hose MF
13	13239	3/4JIC Hose Union
14	13267	3/8x72 Hose MF
15	54901	Wings Down Decal
16	13234	3/4JICx1/2NPT Coupler Adapter
17	54900	Wings Up Decal
18	20465	1/2x48 Hyd Tube
19	13258	1/2x60+2 Hyd Tube
20	25602	3/8x65 Hose FF
21	51235	3-1/2x24 Cylinder

# WING LIFT HYDRAULICS

13' MF, 9'4" OR 11'8" WING w/3' OR 5' OUTER WING  
Serial Numbers 441249 & Below



78349

**ITEM PART NO**

- 1 51235
- 2 13235
- 3 13423
- 4 13483
- 5 13264
- 6 15910
- 7 14850
- 8 15515
- 9 13261

**DESCRIPTION**

- 3-1/2x24 Cylinder
- 3/4JICx3/8NPT Port Elbow
- 3/8x24 Hose FF
- 3/8x120 Hose FF (9'4" Wing)
- 3/8x156 Hose FF (11'8" Wing)
- 3/8x48 Hose MF (9'4" Wing)
- 3/8x36 Hose MF (11'8" Wing)
- 3/4JIC Tube Cross
- 3/8x18 Hose FF
- 3/8x62 Hose FF
- 3/8x30 Hose FF

**ITEM PART NO**

- 10 13266
- 11 13239
- 12 54901
- 13 13234
- 14 54900
- 15 13482
- 16 51229
- 17 13259
- 18 51655
- 19 24024
- 20 13238

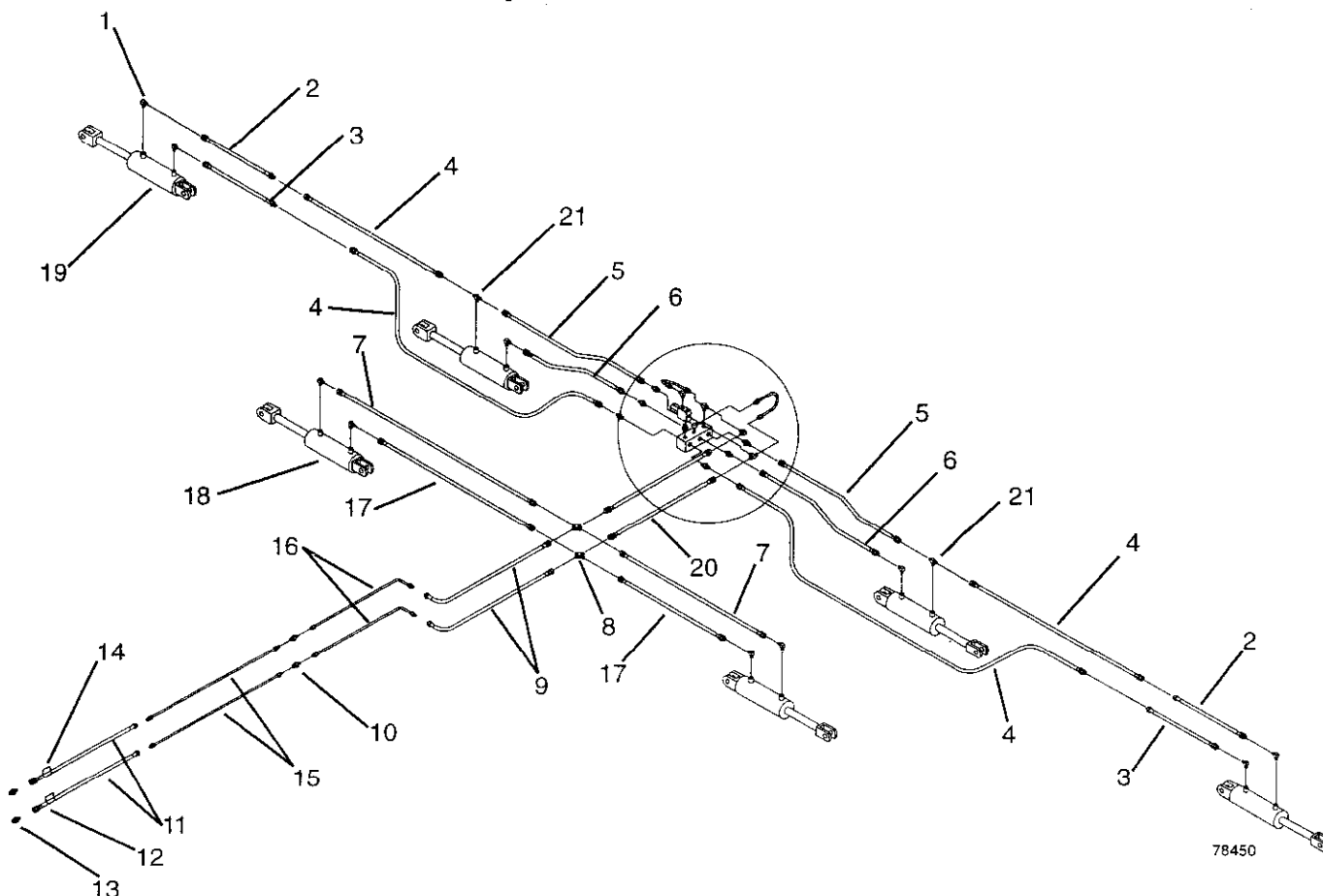
**DESCRIPTION**

- 3/8x60 Hose MF
- 3/4JIC Hose Union
- Wing Down Decal
- 3/4JICx1/2NPT Coupler Adapter
- Wing Up Decal
- 3/8x108 Hose FF
- 4x30 Cylinder
- 3/8x18 Hose MF
- Sequence Valve
- 3/4JICx3/4ORB Adapter
- 3/4JIC Tube Tee

# WING LIFT HYDRAULICS

16'MF, 11'8" WING w/3' OR 5' OUTER WINGS

Serial Numbers 441250 & Up

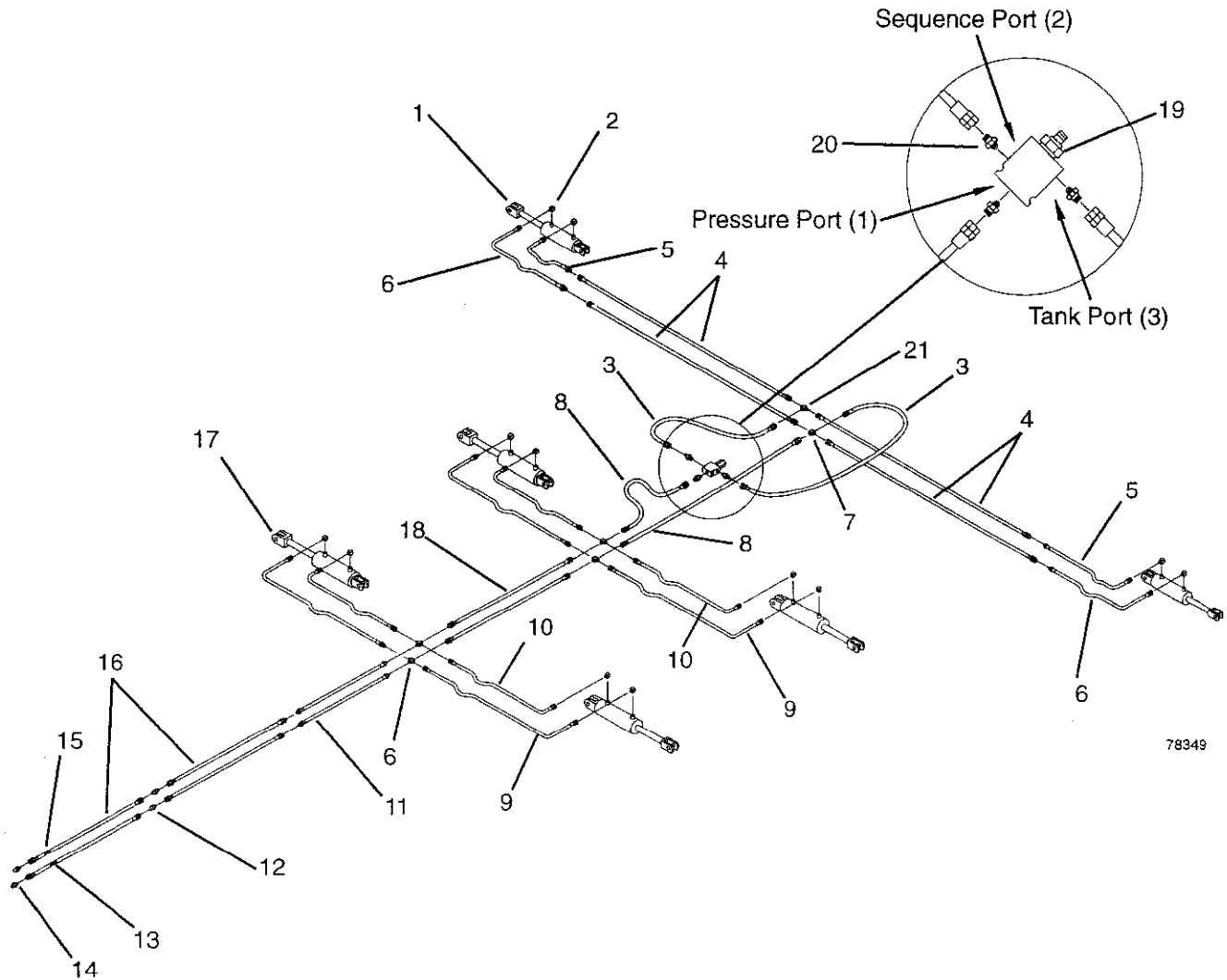


ITEM	PART NO	DESCRIPTION
1	13235	3/4JICx3/8NPT Port Elbow
2	13262	3/8x30 Hose MF
3	24182	3/8x84 Hose MF
4	13483	3/8x120 Hose FF
5	56540	3/8x89 Hose FF
6	13265	3/8x56 Hose FF
7	13268	3/8x78 Hose FF
8	15910	3/4JIC Tube Cross
9	13264	3/8x48 Hose MF
10	13239	3/4JIC Hose Union

ITEM	PART NO	DESCRIPTION
11	13267	3/8x72 Hose MF
12	54901	Wings Down Decal
13	13234	3/4JICx1/2NPT Coupler Adapter
14	54900	Wings Up Decal
15	13254	1/2x80 Hyd Tube
16	13258	1/2x60+2 Hyd Tube
17	56539	3/8x50 Hose FF
18	51229	4x30 Cylinder
19	51235	3-1/2x24 Cylinder
20	25603	3/8x75 Hose FF
21	13237	3/8 Cylinder Port Tee

# WING LIFT HYDRAULICS

16' MF, 11'8" WING w/3' OR 5' OUTER WING  
Serial Numbers 441249 & Below



78349

**ITEM PART NO**

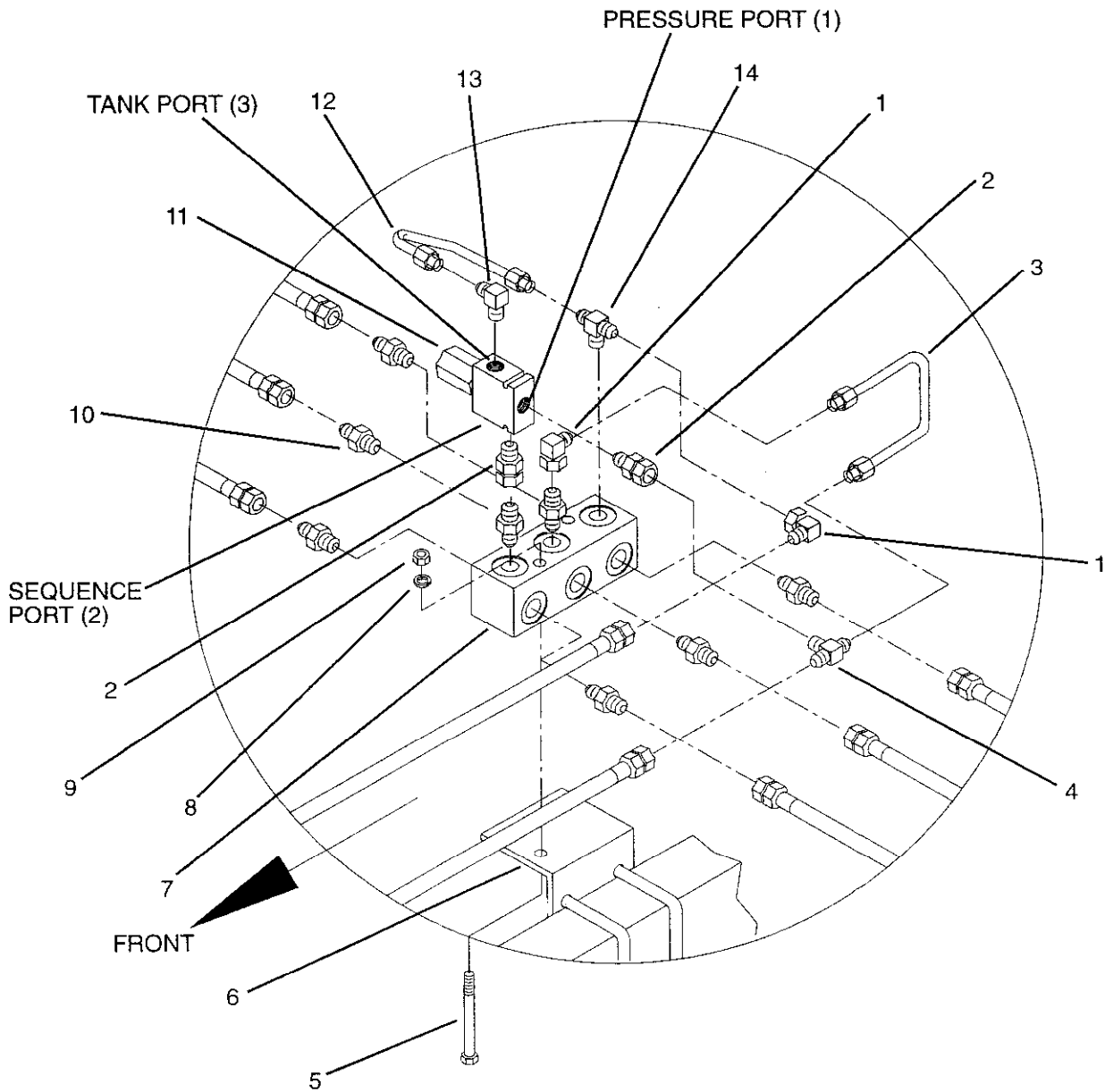
ITEM PART NO	DESCRIPTION
1 51235	3-1/2x24 Cylinder
2 13235	3/4ICx3/8NPT Port Elbow
3 13423	3/8x24 Hose FF
4 13484	3/8x156 Hose FF
5 13260	3/8x24 Hose MF
6 13264	3/8x48 Hose MF
7 15910	3/4JIC Tube Cross
8 14850	3/8x18 Hose FF
9 13268	3/8x78 Hose FF
10 14851	3/8x42 Hose FF
11 13269	3/8x84 Hose MF

**ITEM PART NO**

ITEM PART NO	DESCRIPTION
12 13239	3/4JIC Hose Union
13 54901	Wing Down Decal
14 13234	3/4JICx1/2NPT Coupler Adapter
15 54900	Wing Up Decal
16 13482	3/8x108 Hose FF
17 51229	4x30 Cylinder
18 15515	3/8x62 Hose FF
19 51655	Sequence Valve
20 24024	3/4JICx3/4ORB Adapter
21 13238	3/4JIC Tube Tee

# TEE BLOCK PLUMBING

## FOR 3' & 5' OUTER WINGS



78450A

### ITEM PART NO

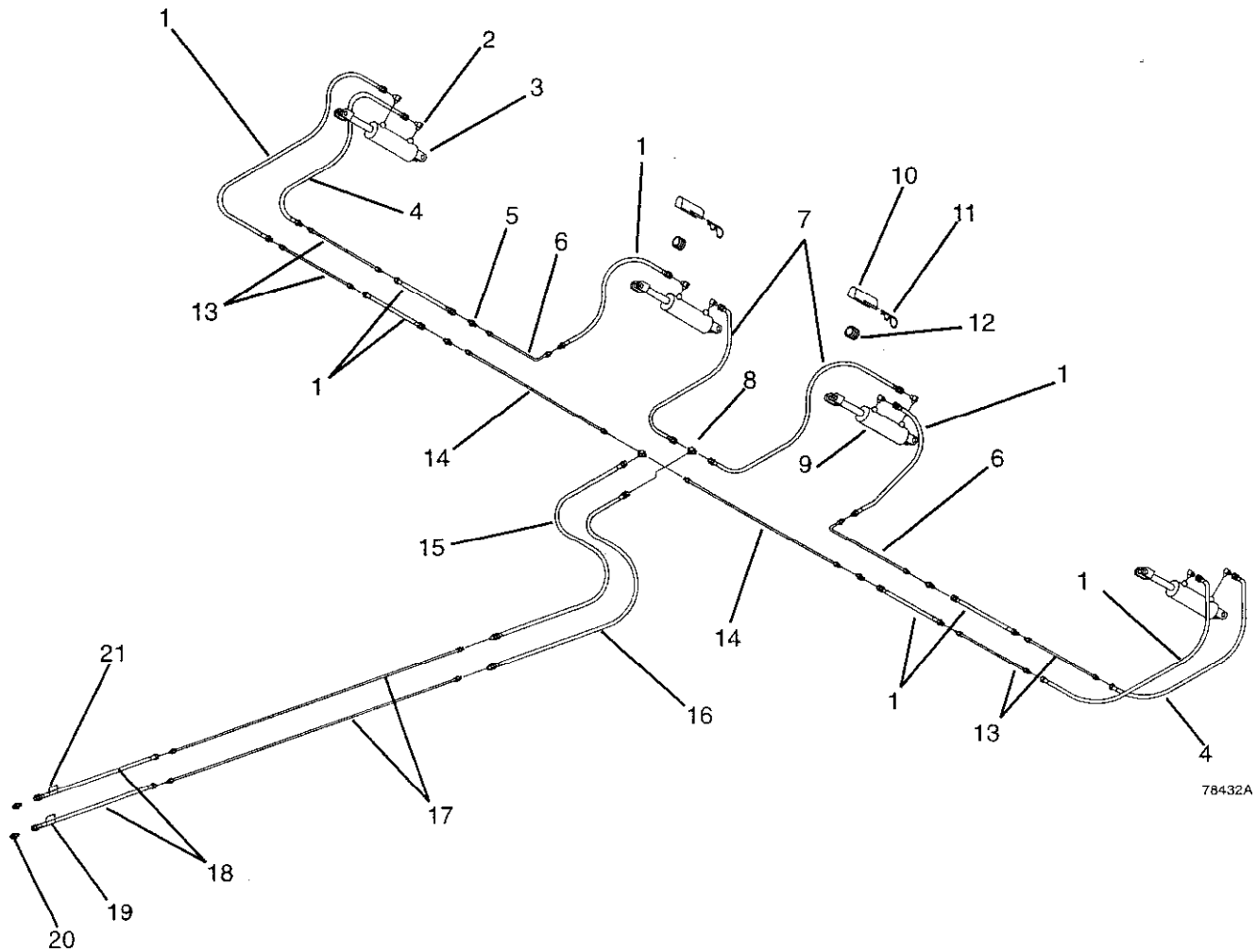
ITEM PART NO	DESCRIPTION
1 25591	3/4JICx3/4JIC Swivel
2 24004	3/4JICx3/4ORB Adapter
3 56538	1/2x3-1/4 U-Hyd Tube
4 13238	3/4JIC Tube Tee
5 88531	3/8NCx3 GR5 Bolt
6 56536	Manifold Block Mount
7 56535	Manifold Block

### ITEM PART NO

ITEM PART NO	DESCRIPTION
8 88362	3/8 Lock Washer
9 88103	3/8NC Nut
10 24024	3/4JICx3/4ORB Union
11 51655	Sequence Valve
12 56537	1/2x5-1/8 U-Hyd Tube
13 25580	3/4JICx3/4ORB Elbow
14 56534	3/4ICx3/4ORBx3/4JIC Tee

# DEPTH CONTROL HYDRAULICS

11' MAIN FRAME w/ 7' OR 9'4" WING

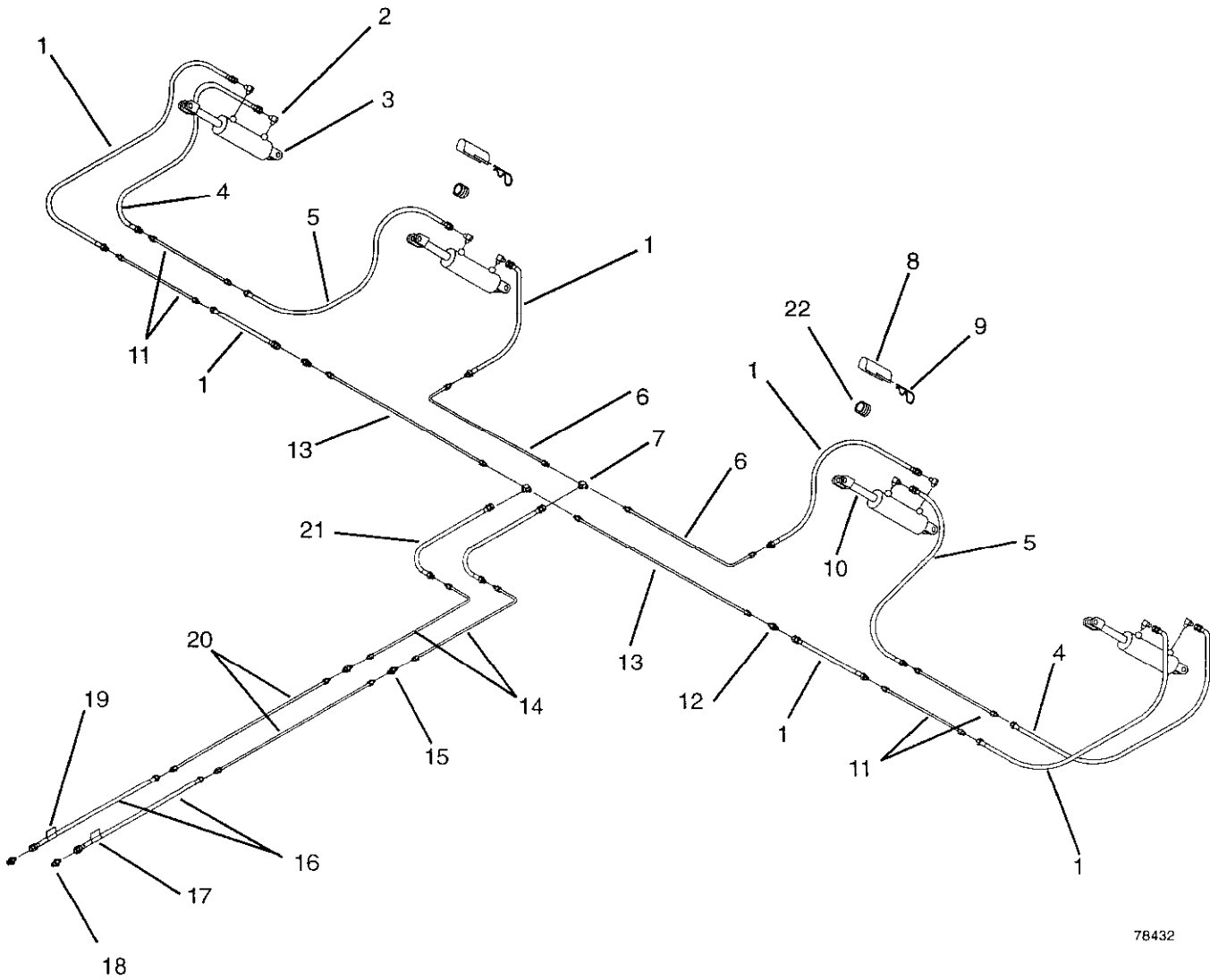


78432A

ITEM	PART NO	DESCRIPTION	ITEM	PART NO	DESCRIPTION
1	13262	3/8x30 Hose MF	13	13287	1/2x38 Hyd Tube (7' Wing)
2	13236	3/4JICx1/2NPT Port Elbow		15811	1/2x65 Hyd Tube (9'4" Wing)
3	42579	4x8 Top Bypass Cylinder	14	15811	1/2x65 Hyd Tube
4	13263	3/8x36 Hose MF	15	13266	3/8x60 Hose MF
5	13239	3/4IC Hose Union	16	13269	3/8x84 Hose MF
6	13258	1/2x60+2 Hyd Tube	17	13255	1/2x110 Hyd Tube
7	14850	3/8x18 Hose FF	18	13267	3/8x72 Hose MF
8	13238	3/4IJC Tube Tee	19	54902	Main Up Decal
9	42580	4x9.3 Top Bypass Cylinder	20	13234	3/4JICx1/2NPT Coupler Adapter
10	13681	1-1/2IN Cylinder Lock Channel	21	54903	3/8x72 Hose MF
11	42721	1/4x5 Spring Lock Pin			
12	15113	1-1/2 Stop Collar			

# DEPTH CONTROL HYDRAULICS

13' MAIN FRAME - 7' & 9'4" WINGS  
Serial Numbers 441250 & up



78432

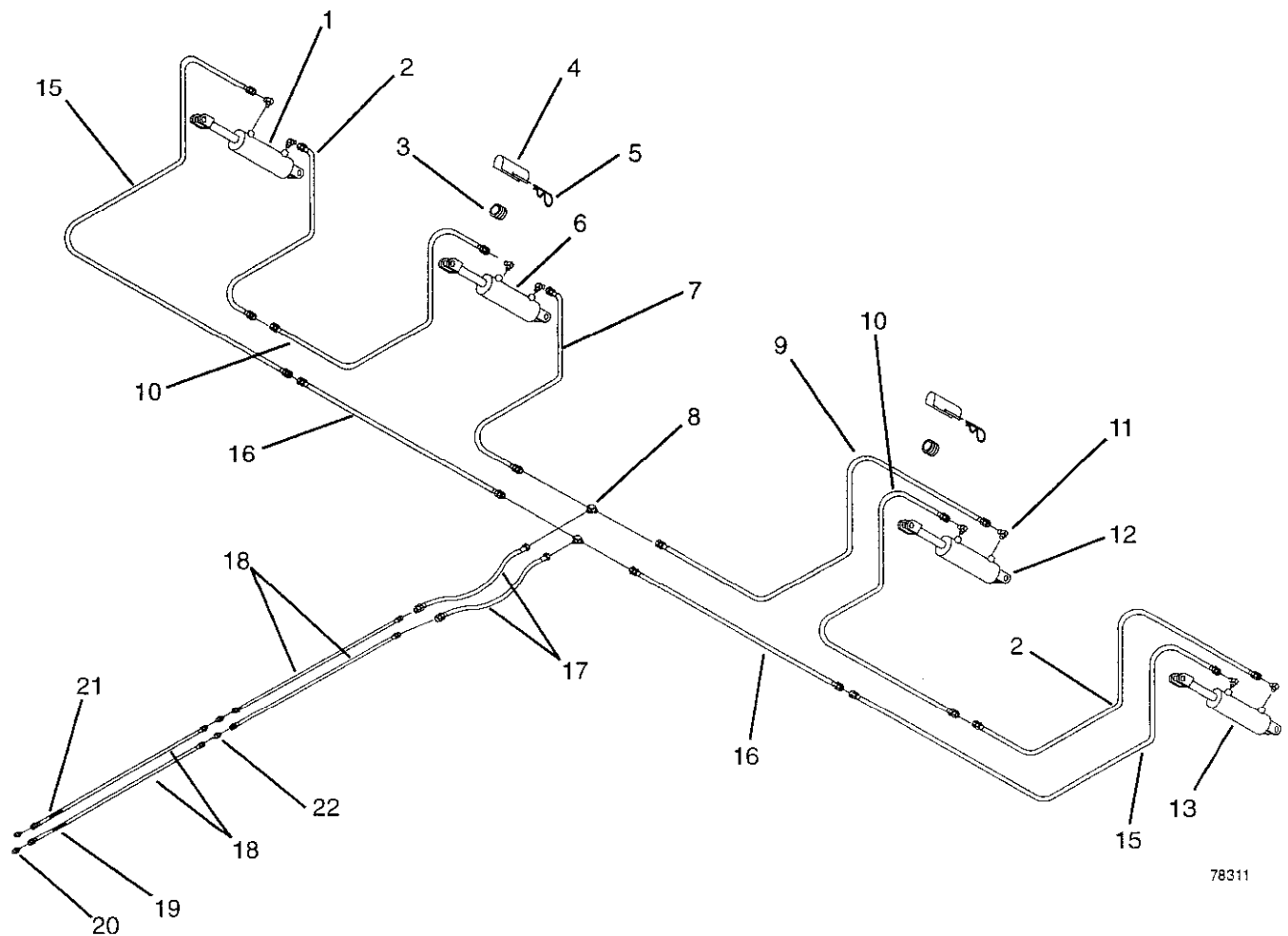
ITEM	PART NO	DESCRIPTION	ITEM	PART NO	DESCRIPTION
1	13262	3/8x30 Hose MF	12	13239	3/4JIC Union
2	13236	3/4JICx1/2NPT Port Elbow	13	21037	1/2x72 Hyd Tube
3	42579	4x8 Top Bypass Cylinder	14	13258	1/2x60+2 Hyd Tube
4	13263	3/8x36 Hose MF	15	13239	3/4JIC Union
5	13264	3/8x48 Hose MF	16	13267	3/8x72 Hose MF
6	20464	1/2x48+2 Hyd Tube	17	54902	Main Up Decal
7	13238	3/4JIC Tube Tee	18	13234	3/4JICx1/2NPT Coupler Adapter
8	13681	1-1/2IN Cylinder Lock Channel	19	54903	Main Down Decal
9	42721	1/4x5 Spring Lock Pin	20	20465	1/2x48 Hyd Tube
10	42580	4x9.3 Top Bypass Cylinder	21	13259	3/8x18 Hose MF
11	13287	1/2x38 Hyd Tube (7' Wing)	22	15113	1-1/2 Stop Collar
	15811	1/2x65 Hyd Tube (9'4" Wing)			



# DEPTH CONTROL HYDRAULICS

13' MAIN FRAME, 7' & 9'4" WINGS

Serial Numbers 441249 & Below



**ITEM PART NO**

ITEM PART NO	DESCRIPTION
1	42579 4x8 Top Bypass Cylinder
2	13265 3/8x56 Hose FF
3	15113 1-1/2" Stop Collar
4	13681 1-1/2" Cylinder Lock Channel
5	42471 1/4x5 Spring Lock Pin
6	42480 4x9.3 Top Bypass Cylinder
7	15515 3/8x62 Hose FF
8	13238 3/4JIC Tube Tee
9	15515 3/8x62 Hose FF
10	13267 3/8x72 Hose MF (9'4" Wing)
	13264 3/8x48 Hose MF (7' Wing)
11	13236 3/4JICx3/8NPT Port Elbow

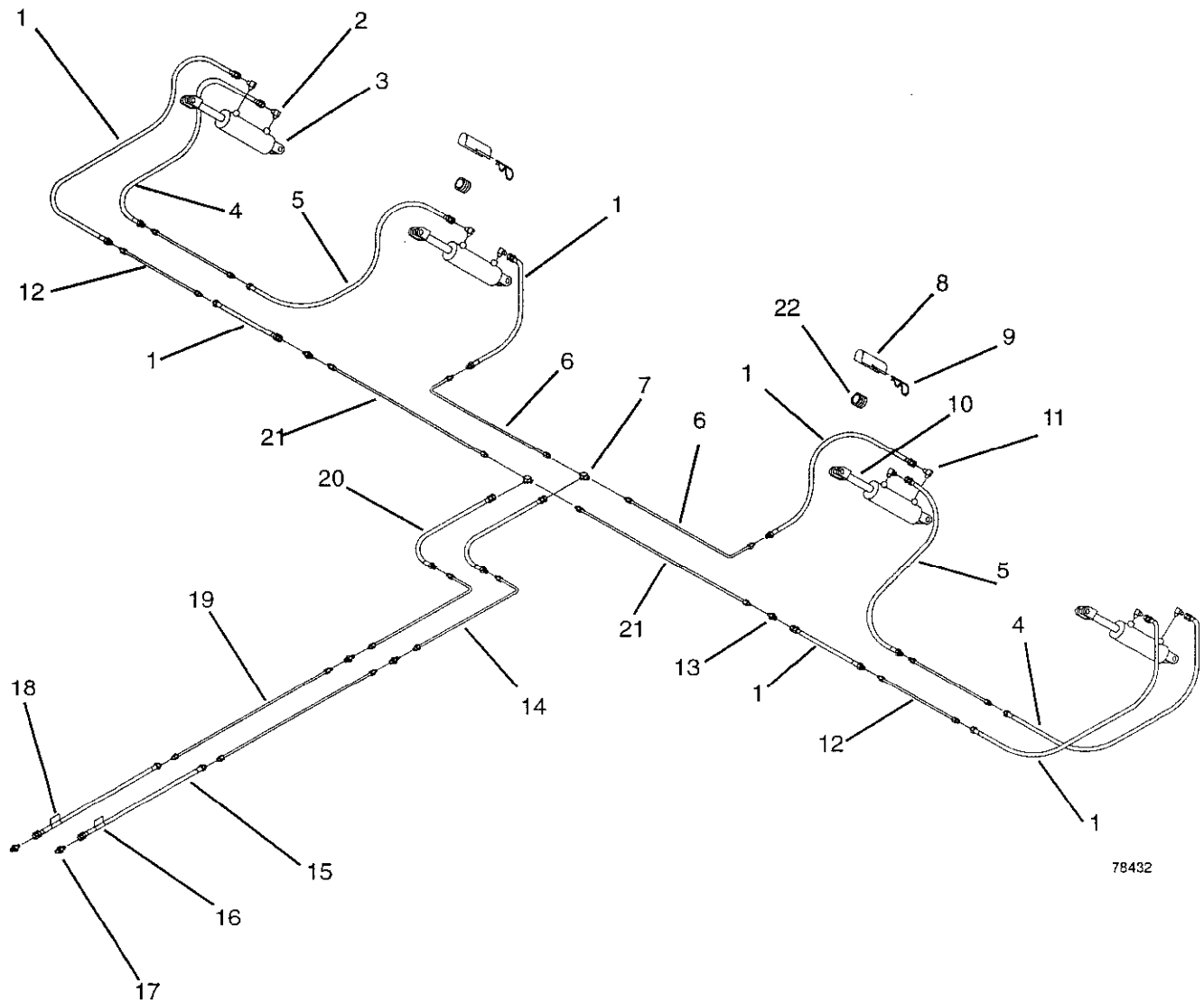
**ITEM PART NO**

ITEM PART NO	DESCRIPTION
12	42580 4x9.3 Top Bypass Cylinder
13	42579 4x8 Top Bypass Cylinder
15	13482 3/8x108 Hose FF
16	13267 3/8x72 Hose MF (9'4" Wing)
	13264 3/8x48 Hose MF (7' Wing)
17	13263 3/8x36 Hose MF
18	13482 3/8x108 Hose FF
19	54903 Main Down Decal
20	13234 3/4JICx1/2NPT Coupler Adapter
21	54902 Main Up Decal
22	13239 3/4JIC Hose Union

# DEPTH CONTROL HYDRAULICS

13' & 16' MF - 11'8" WINGS

Serial Numbers 441250 & up



78432

**ITEM PART NO**

**DESCRIPTION**

**ITEM PART NO**

**DESCRIPTION**

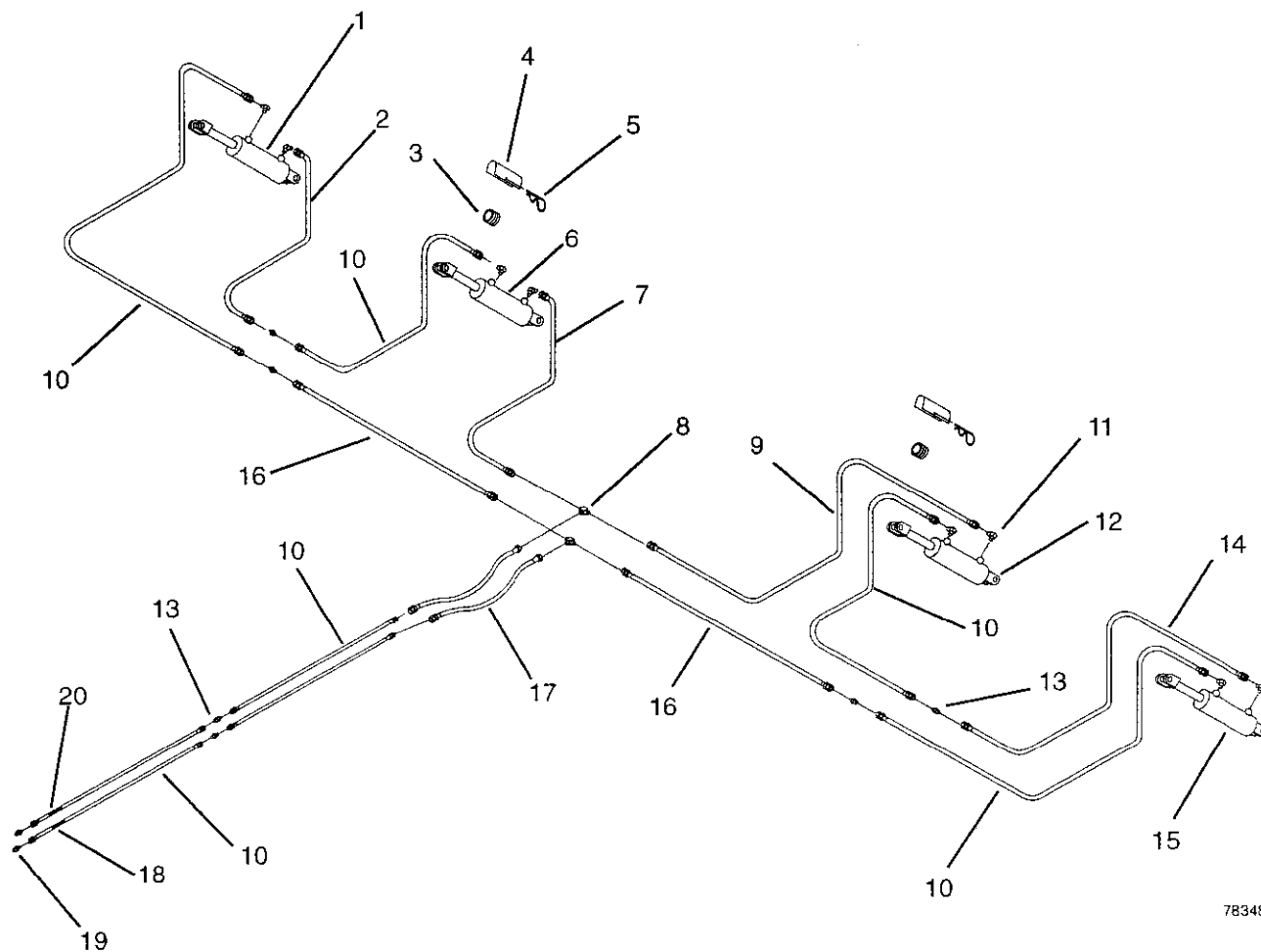
1	13262	3/8x30 Hose MF
2	13236	3/4JICx1/2NPT Port Elbow
3	42579	4x8 Top Bypass Cylinder
4	13263	3/8x36 Hose MF
5	13264	3/8x48 Hose MF
6	20464	1/2x48+2 Hyd Tube (13'MF)
	13258	1/2x60+2 Hyd Tube (16'MF)
7	13238	3/4JIC Tube Tee
8	13681	1-1/2" Cylinder Lock Channel
9	42721	1/4x5 Spring Lock Pin
10	42580	4x9.3 Top Bypass Cylinder
11	13236	1/2NPTx3/4JIC Port Elbow

12	15699	1/2x86 Hyd Tube
13	13239	3/4JIC Hose Union
14	13258	1/2x60+2 Hyd Tube
15	13267	3/8x72 Hose MF
16	54902	Main Up Decal
17	13234	3/4ICx1/2NPT Coupler Adapter
18	54903	Main Down Decal
19	20465	1/2x48Hyd Tube (13' MF)
	13254	1/2x80 Hyd Tube (16'MF)
20	13259	3/8x18 Hose (MF)
21	21037	1/2x72 Hyd Tube (13'MF)
	15699	1/2x86 Hyd Tube (16'MF)
22	15113	1-1/2 Stop Collar

# DEPTH CONTROL HYDRAULICS

13' & 16' MAIN FRAME, 11'8" WINGS

Serial Numbers 441249 & Below



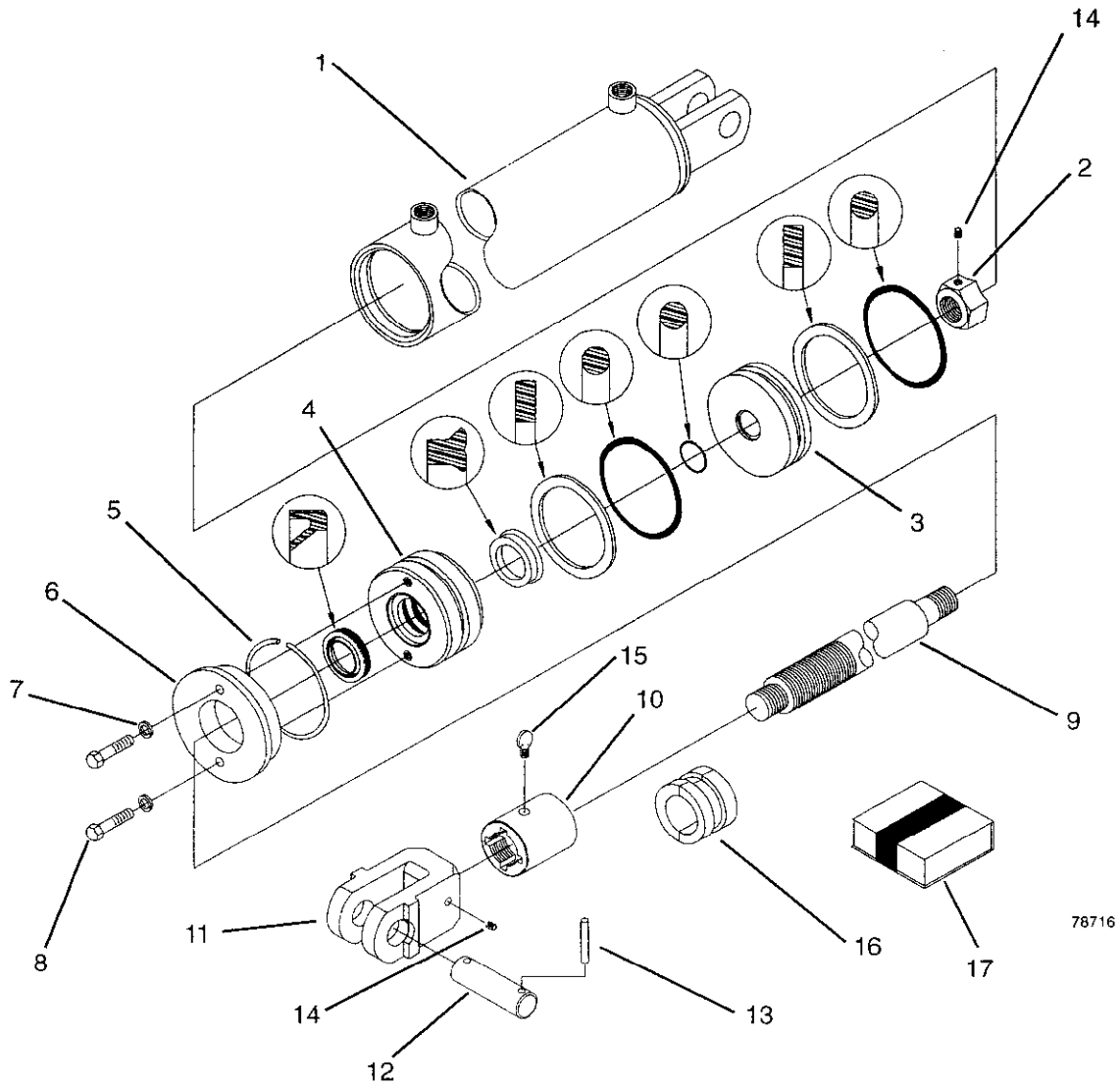
**ITEM PART NO**

ITEM	PART NO	DESCRIPTION
1	42579	4x8 Top Bypass Cylinder
2	13265	3/8x56 Hose FF
3	15113	1-1/2" Stop Collar
4	13681	1-1/2" Cylinder Lock Collar
5	42721	1/4x5 Spring Lock Pin
6	42580	4x9.3 Top Bypass Cylinder
7	15515	3/8x62 Hose FF (13'MF)
	13268	3/8x78 Hose FF (16'MF)
8	13238	3/4JIC Tube Tee
9	15515	3/8x62 Hose FF
	13268	3/8x78 Hose FF (16'MF)
10	13482	3/8x108 Hose FF

**ITEM PART NO**

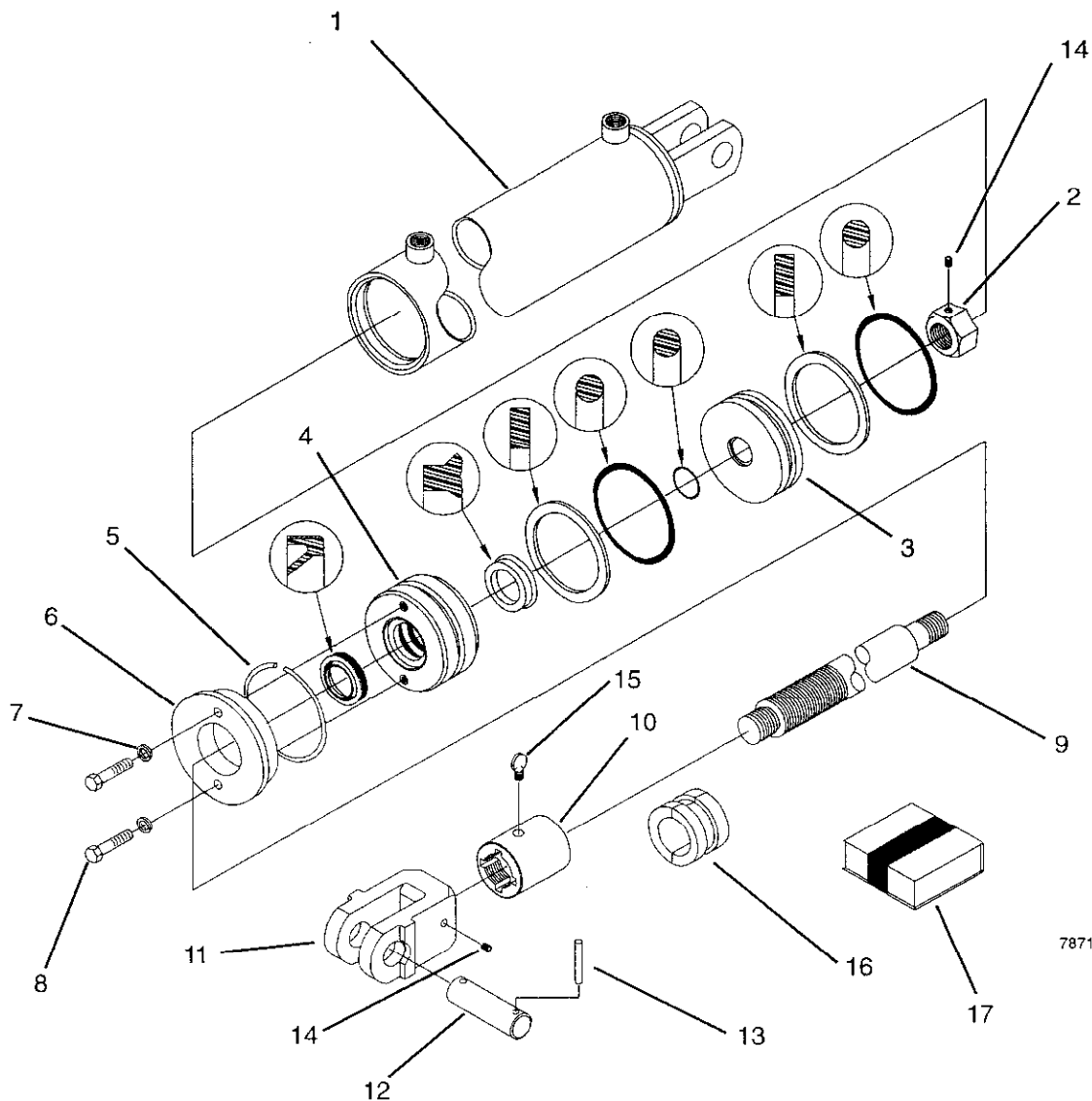
ITEM	PART NO	DESCRIPTION
11	13236	3/4JICx3/8NPT Port Elbow
12	42580	4x9.3 Top Bypass Cylinder
13	13239	3/4JIC Hose Union
14	13265	3/8x56 Hose FF
15	42579	4x8 Top Bypass Cylinder
16	13482	3/8x108 Hose FF (13'MF)
	13483	3/8x120 Hose FF (16'MF)
17	13263	3/8x36 Hose MF
18	54903	Main Down Decal
19	13234	3/4ICx1/2NPT Coupler Adapter
20	54902	Main Up Decal

# 4x8 TOP BYPASS Series PX & Series PB



ITEM	PART NO	DESCRIPTION	ITEM	PART NO	DESCRIPTION
	42579	4x8 Top Bypass Cylinder	10	13570	Stop Collar Screw Stop
1	42573	4x8 Cylinder Tube Assy TBP	11	14822	Cylinder Yoke
2	14824	Piston Lock Nut	12	62404	Cylinder Pin
3	42577	Piston	13	42484	Cylinder Lock Pin
4	42576	End Gland	14	88706	Set Screw 5/16NCx5/16
5	12286	4" Cylinder Snap Ring	15	88387	Thumb Screw 3/8NCx3/4
6	13851	Stop Plate 4x8	16	15113	Stop Collar 1-1/2
7	88362	3/8Lock Washer	17	42664	Seal Kit (Series #PX-All)
8	88553	3/8NCx1-1/2 GR5 Bolt		14906	Seal Kit (Series #PB-10,000 & Up)
9	13569	4x8 Cylinder Rod		14537	Seal Kit (Series #PB-10,000 & Below)

# 4x9.3 TOP BYPASS Series PE & Series PY

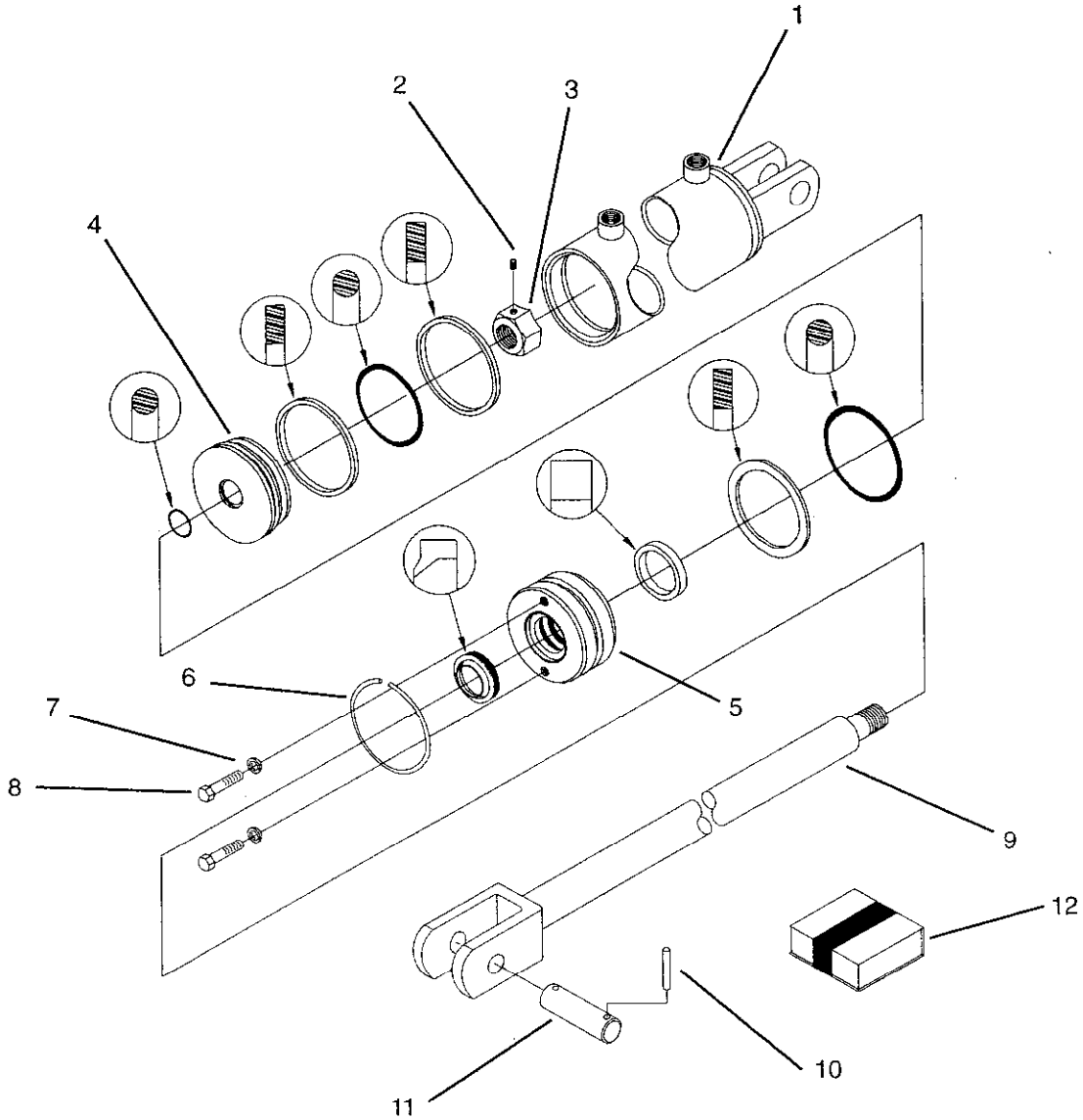


78716

ITEM	PART NO	DESCRIPTION
	42580	4x9.3 Top Bypass Cylinder
1	42574	4x9.3 Cylinder Tube Assy TBP
2	14824	Piston Lock Nut
3	42577	Piston
4	42576	End Gland
5	12286	4" Cylinder Snap Ring
6	13851	Stop Plate 4x8
7	88362	3/8Lock Washer
8	88553	3/8NCx1-1/2 GR5 Bolt
9	16221	4x9.3 Cylinder Rod

ITEM	PART NO	DESCRIPTION
10	13570	Stop Collar Screw Stop
11	14822	Cylinder Yoke
12	62404	Cylinder Pin
13	42484	Cylinder Lock Pin
14	88706	Set Screw 5/16NCx5/16
15	88387	Thumb Screw 3/8NCx3/4
16	15113	Stop Collar 1-1/2
17	42664	Seal Kit (Series #PX-All)
	14906	Seal Kit (Series #PE- All)

# 3-1/2x24 STANDARD Series O & Series RF

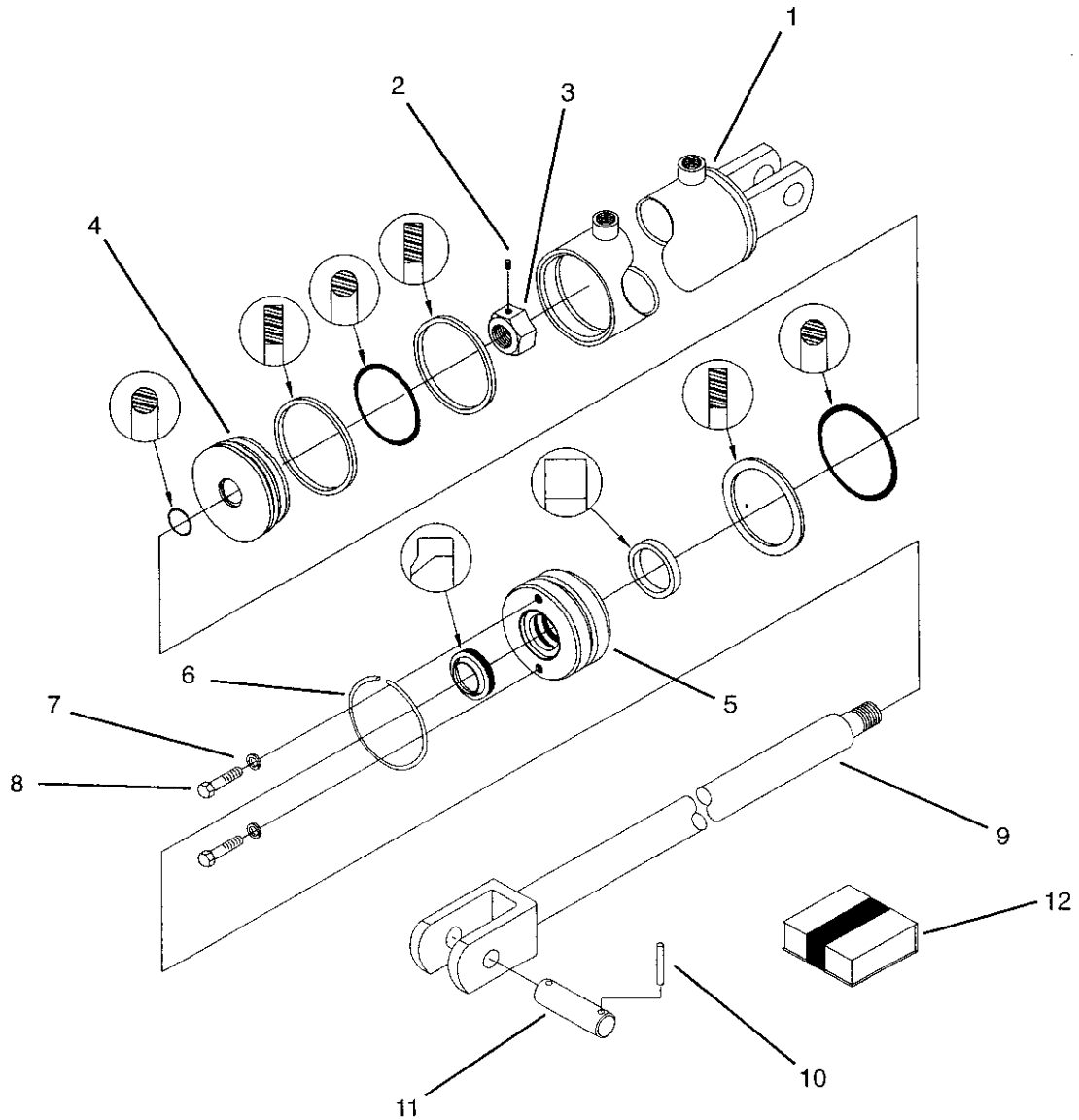


7B716A

ITEM	PART NO	DESCRIPTION
	51235	3-1/2x24 Standard
1	55697	3-1/2x24 Cylinder Tube Assembly
2	88706	Set Screw 5/16NCx5/16
3	14824	Piston Lock Nut
4	12299	Cylinder Piston
5	51207	3-1/2 Cylinder Gland
6	12293	3-1/2 Cylinder Snap Ring
7	88855	1/4 Flat Washer

ITEM	PART NO	DESCRIPTION
8	88190	1/4NCx1/2 Bolt
9	12302	Cylinder Rod Assembly
10	42484	Cylinder Lock Pin
11	42472	Cylinder Pin
12	51211	Seal Kit (Series#RF - All)
	14905	Seal Kit (Series#O-10,000 & Up)

# 4x30 STANDARD Series KA & Series RD

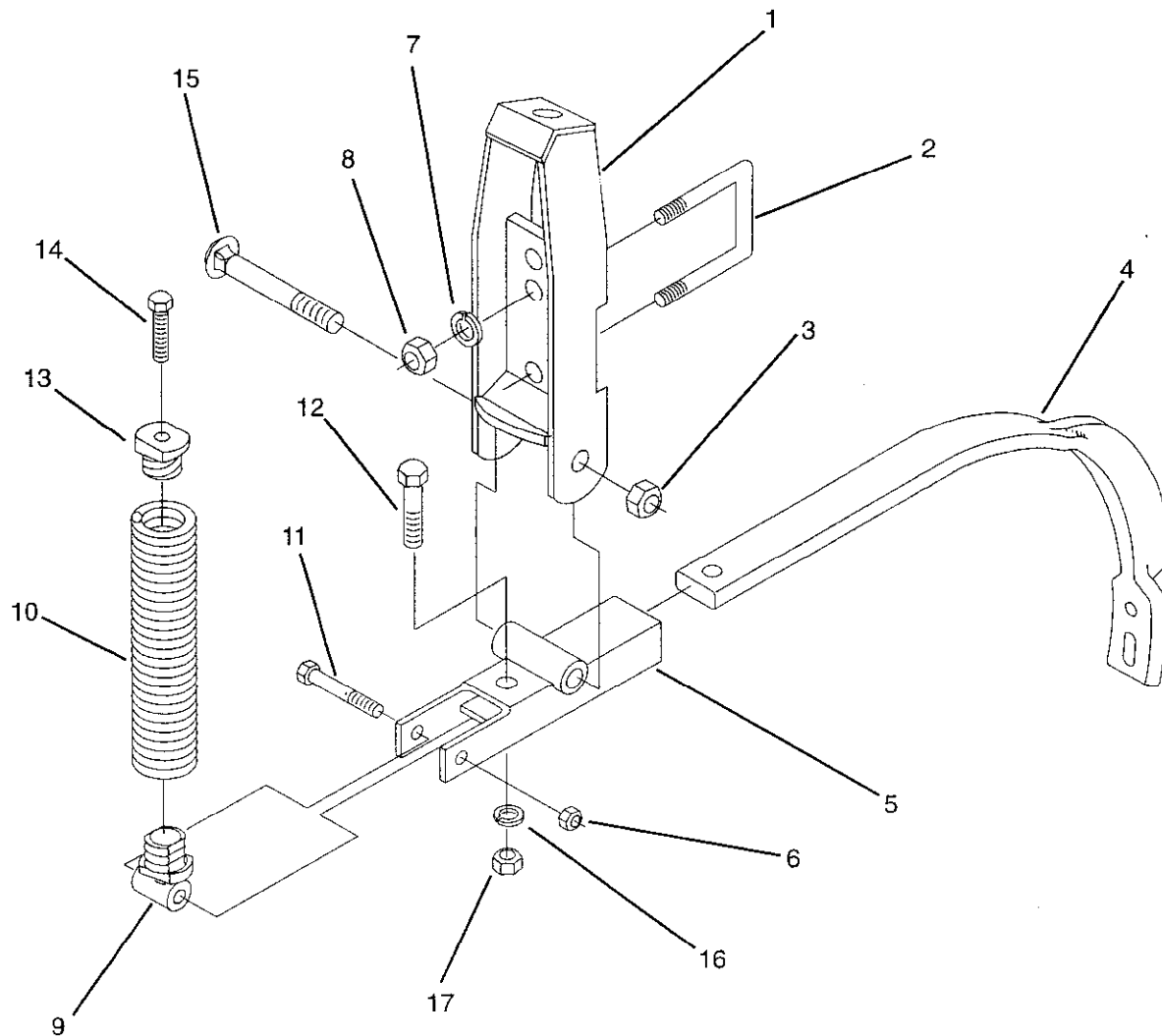


78716A

ITEM	PART NO	DESCRIPTION
	51229	4x30 Standard
1	20961	4x30 Cylinder Tube Assembly
2	88706	Set Screw 5/16NCx5/16
3	14824	Piston Lock Nut
4	12282	Cylinder Piston
5	42576	End Gland
6	12286	4" Cylinder Snap Ring

ITEM	PART NO	DESCRIPTION
7	88278	5/16 Flat Washer
8	88566	3/8NCx3/4 GR5 Bolt
9	20963	4x30 Cylinder Rod Assembly
10	42484	Cylinder Lock Pin
11	42473	Cylinder Pin
12	14907	Seal Kit (Series # KA-All)
	51212	Seal Kit (Series # RD-All)

# C-SHANK ASSEMBLY

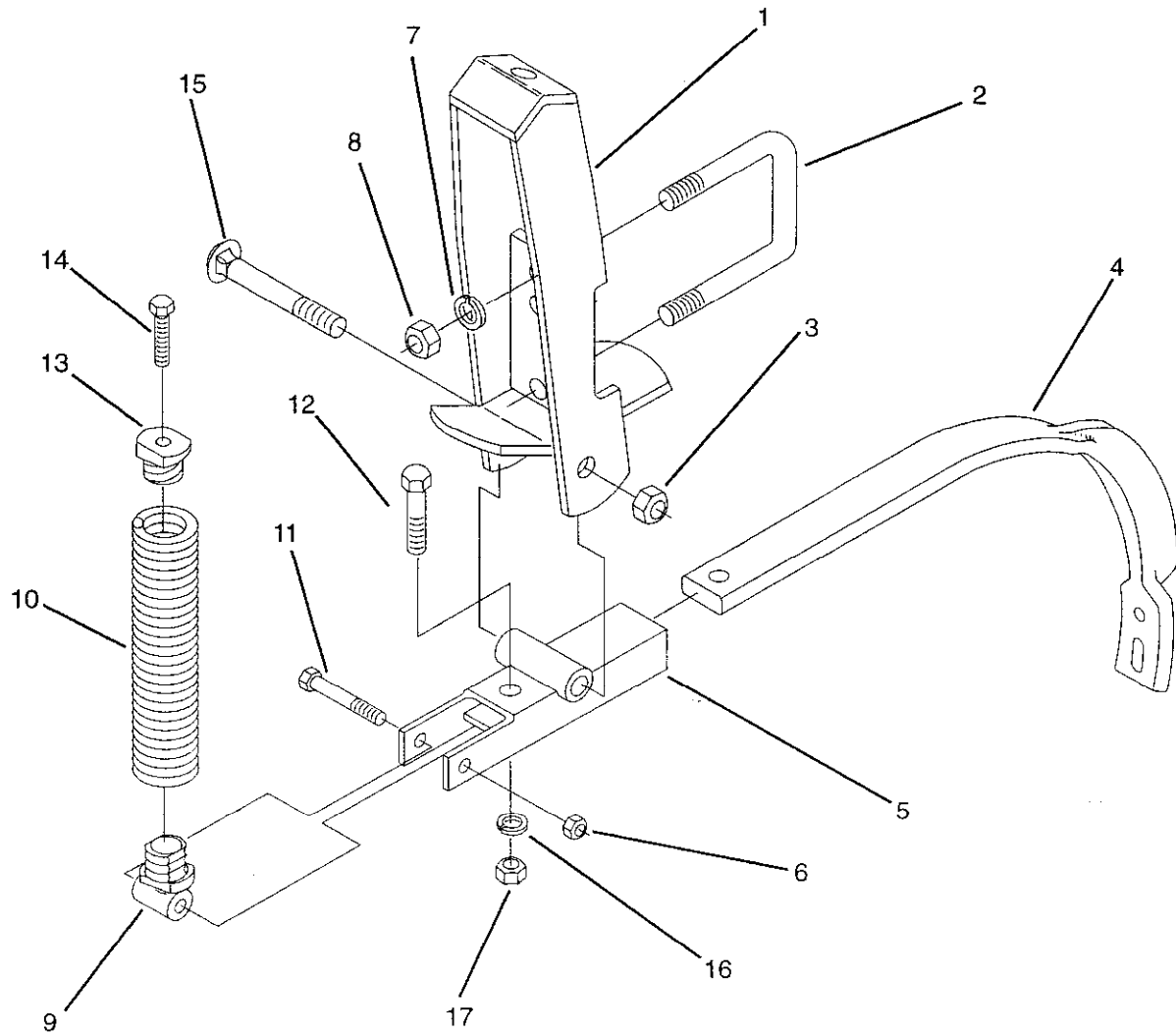


78230

ITEM	PART NO	DESCRIPTION	ITEM	PART NO	DESCRIPTION
	53405	Edge Formed FC Shank Assy (Includes Items 1, 3-6 & 9-17)	6	88304	1/2NF Lock Nut
	20570	FC Shank Assembly (4") (Includes Items 1, 3-6 & 9-17)	7	88129	5/8 Lock Washer
	11540	Spring Plug Assembly (Includes Items 9-10 & 13)	8	88126	5/8NC Nut
1	20569	Shank to Frame Bracket	9	11397	Spring Handle
2	88501	5/8NCx4x1/4 U-Bolt	10	11510	Spring
3	22463	3/4NF Lock Nut	11	20637	1/2NFx3 GR5 Bolt
4	53408	Edge Formed FC Shank (Shown)	12	88294	5/8NCx2 GR5 Bolt
	11511	FC Shank	13	11398	Spring Plug
5	11509	Shank Holder Assembly	14	23153	1/2NCx2 GR5 Bolt
			15	15579	Shank Carriage Bolt
			16	88129	5/8NC Lock Washer
			17	88126	5/8NC Nut



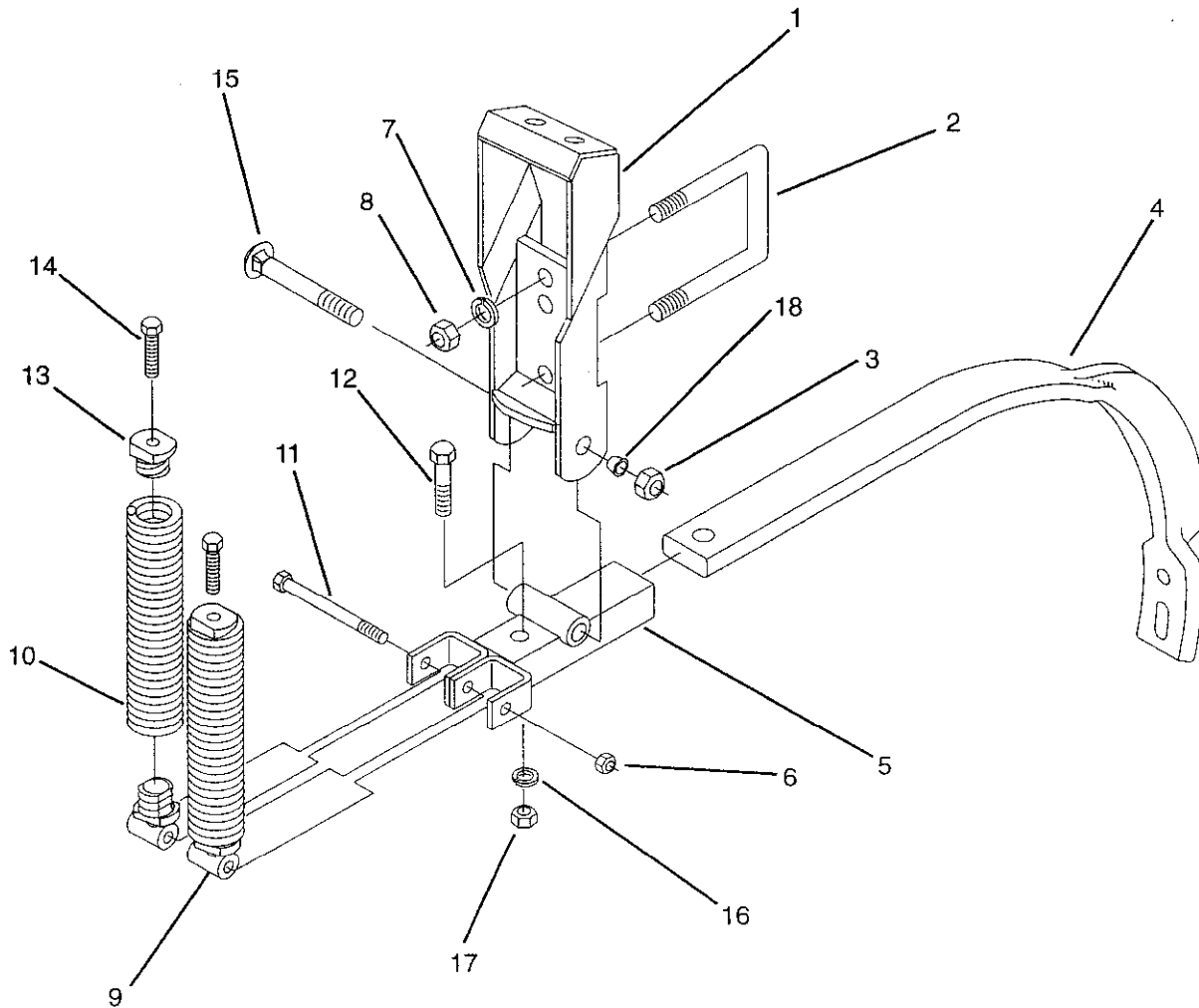
# HI-TORQUE SHANK ASSEMBLY



78231

ITEM	PART NO	DESCRIPTION	ITEM	PART NO	DESCRIPTION
	53406	Hi-Torqu Edge Formed FC Shank Assy (Includes Items 1, 3-6 & 9-17)	6	88304	1/2NF Lock Nut
	41892	Hi-Torque FC Shank Assy (Includes Items 1, 3-6 & 9-17)	7	88129	5/8 Lock Washer
	11540	Spring Plug Assembly (Includes Items 9-10 & 13)	8	88126	5/8NC Nut
1	41891	Hi-Torque Spring Bracket	9	11397	Spring Handle
2	88501	5/8NCx4x4-1/4 U-Bolt	10	11510	Spring
3	47926	Cone Base Nylon Lock Nut	11	20637	1/2NFx3 GR5 Bolt
4	53408	Edge Formed Shank (Shown)	12	88294	5/8NCx2 GR5 Bolt
	21535	FC Shank	13	11398	Spring Plug
5	27050	Shank Holder Assembly	14	23153	1/2NCx2 GR5 Bolt
			15	15579	Shank Carriage Bolt
			16	88129	5/8NC Lock Washer
			17	88126	5/8NC Nut

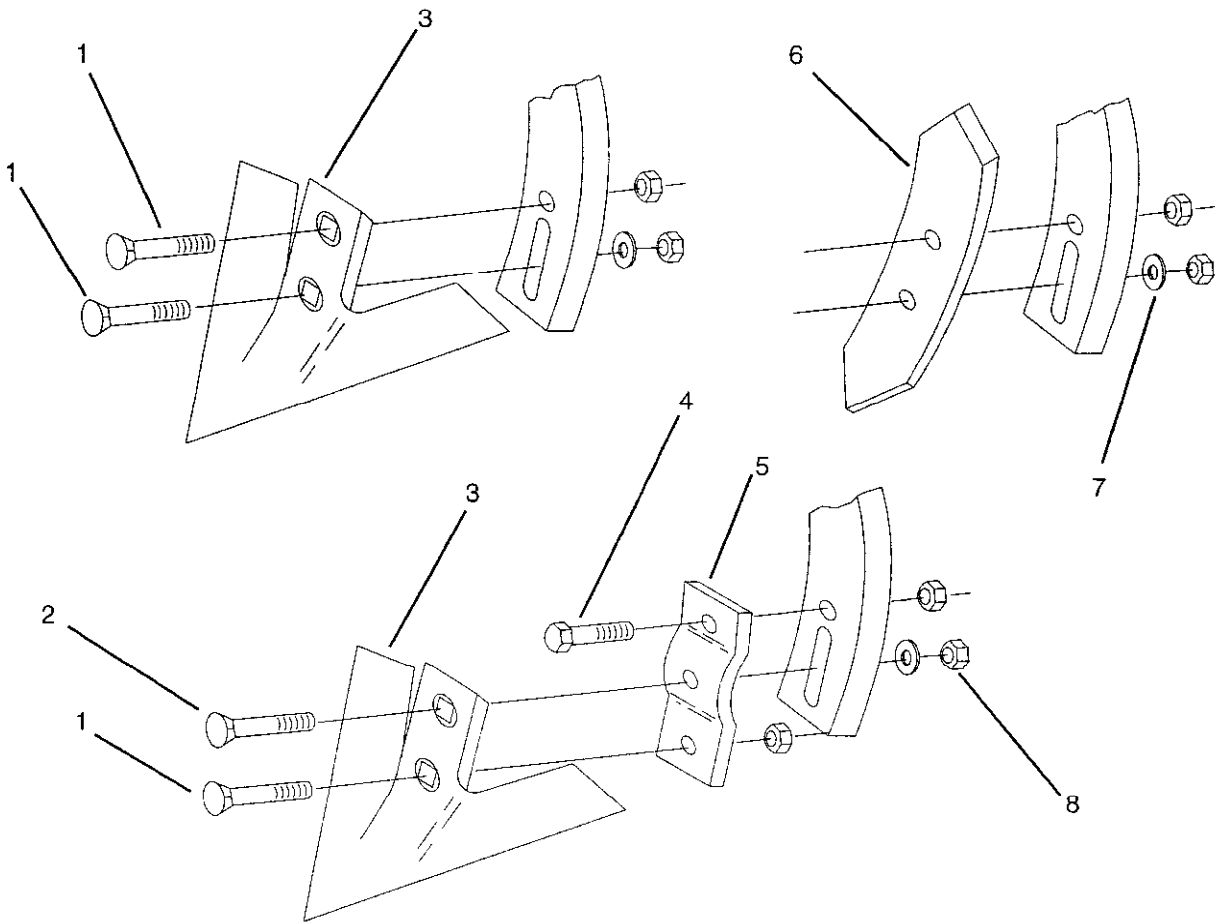
# TWIN SPRING SHANK ASSEMBLY



77912

ITEM	PART NO	DESCRIPTION	ITEM	PART NO	DESCRIPTION
	55658	Twin Spring Edge Formed FC Shank Assy (Includes Items 1, 3-6 & 9-17)	8	88126	5/8NC Nut
	11540	Spring Plug Assembly (Includes Items 9-10 & 13)	9	11397	Spring Handle
1	22047	Twin Spring Bracket	10	11510	Spring
2	88501	5/8NCx4x4-1/4 U-Bolt	11	88574	1/2NCx5-1/2 GR5 Bolt
3	22463	3/4NC Lock Nut	12	88294	5/8NCx2 GR5 Bolt
4	55655	HD Edge Formed Shank (Shown)	13	11398	Spring Plug
	21535	HD Shank	14	23153	1/2NCx2 GR5 Bolt
5	22051	Shank Holder Assembly	15	22933	3/4NFx4-1/2 GR5 Bolt
6	88363	1/2NC Lock Nut	16	88129	5/8NC Lock Washer
7	88129	5/8 Lock Washer	17	88126	5/8NC Nut
			18	41452	Centering Washer

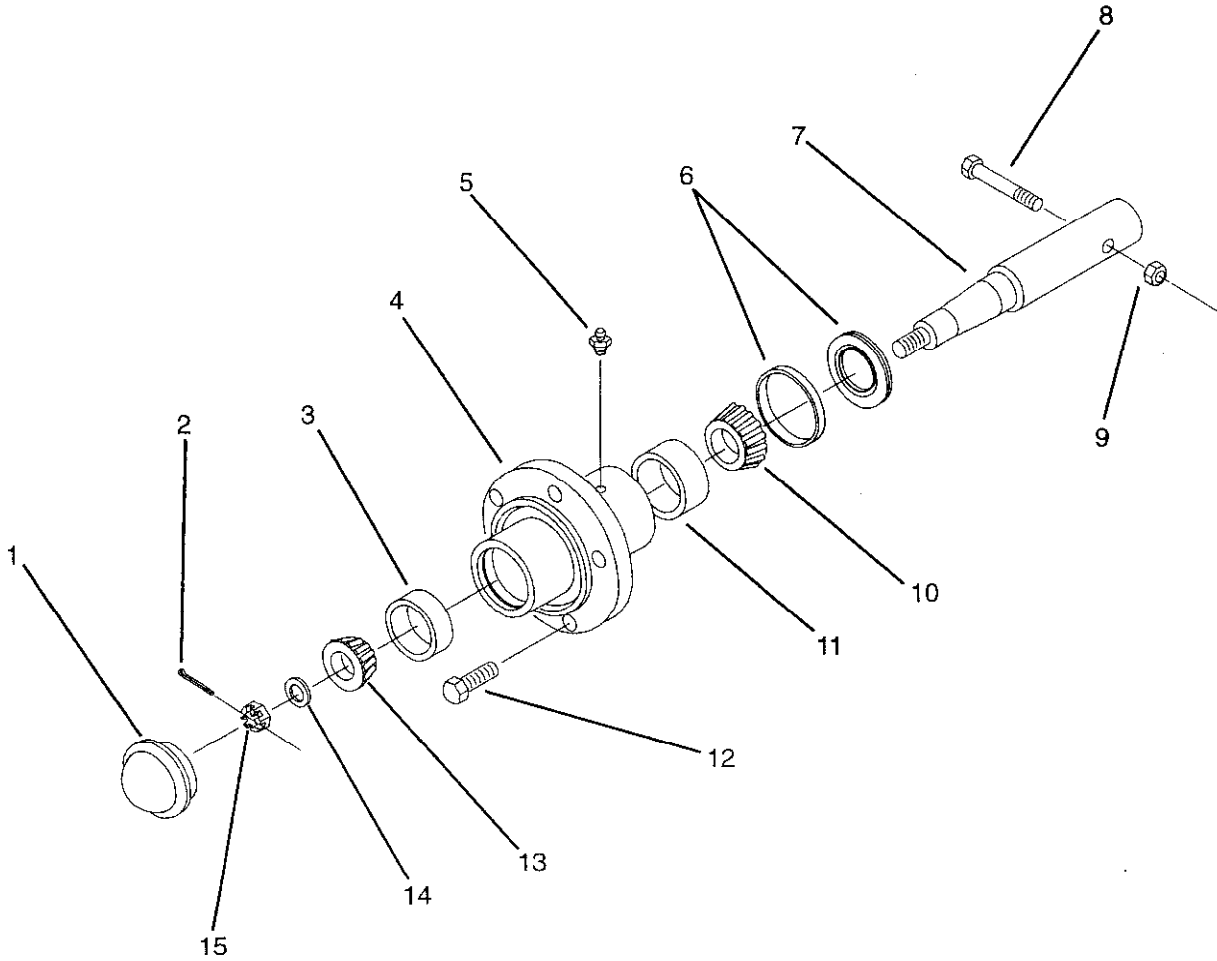
# SHOVELS & SPIKES



77905

ITEM	PART NO	DESCRIPTION	ITEM	PART NO	DESCRIPTION
	14685	HK 7/16x1-1/2 FC Shovel Kit (25) (Ref. Items 1, 7-8 Contains HDW for 25 Shovels)	3	19802	7" High Crown Shovel
	16339	FC Shovel Extension Kit (Ref Items 1-2, 4-5 & 7-8 Kit Contains HDW for 4 Shovels)		19803	9" High Crown Shovel
1	88599	Plow Bolt 7/16NCx1-1/2 GR5		15221	9" Dura-Crown Shovel (924)
	88632	Plow Bolt 7/16NCx1-3/4 GR5 (Repair Head)		21488	7" Low Crown Shovel (924)
2	88464	Plow Bolt 7/16NCx2-1/4 GR5		21489	9" Low Crown Shovel (924)
				21490	10" Low Crown Shovel (924)
				21491	12" Low Crown Shovel (924)
				21492	10" High Crown FC Shovel
				21493	12" High Crown FC Shovel
				41638	4" Sweep (41°) S-Shank
				41639	7" Sweep (41°) S-Shank
				41640	9" Sweep (41°) S-Shank
			4	88392	7/16NCx1-1/2 Bolt
			5	41575	FC Shovel Extension
			6	11952	2" Reversible Spike
			7	88152	7/16 Flat Washer
			8	88344	7/16NC Nut

# 1-3/4" HUB & SPINDLE



75092

## ITEM PART NO

## DESCRIPTION

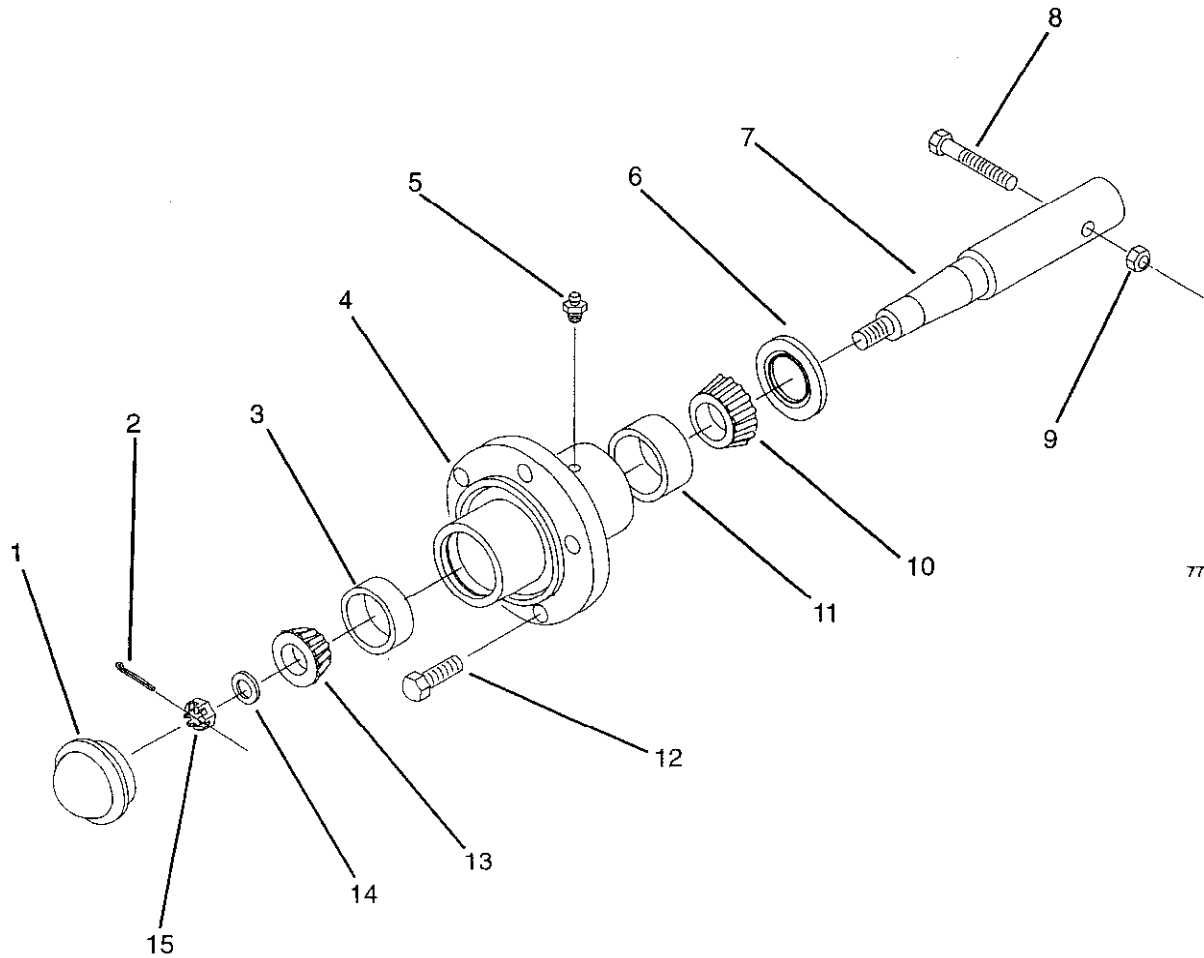
## ITEM PART NO

## DESCRIPTION

	41233	Hub & Spindle Assembly (Includes Items 1-7 & 10-15)
1	11381	Dust Cap
2	88301	3/16x1-1/2 Cotter Pin
3	10344	Outer Bearing Cup
4	30405	6 Bolt Hub w/cups (Includes Items 3, 5 & 11)
5	88263	1/8NPT Grease Fitting
6	26121	Wear Sleeve & Seal Kit
	25585	Triple Lip Seal (1.62ID)
	25586	Wear Sleeve
	76333	Assembly Instructions

7	41232	1-3/4 Spindle
8	88313	1/2NFx3 GR5 Bolt
9	88304	1/2NF Lock Nut
10	11378	Inner Bearing Cone
11	11379	Inner Bearing Cup
12	88142	1/2NFx1 90 Wheel Bolt
13	10345	Outer Bearing Cone
14	16094	7/8 Spindle Washer
15	88340	7/8NF Slotted Nut

# 2" HUB & SPINDLE

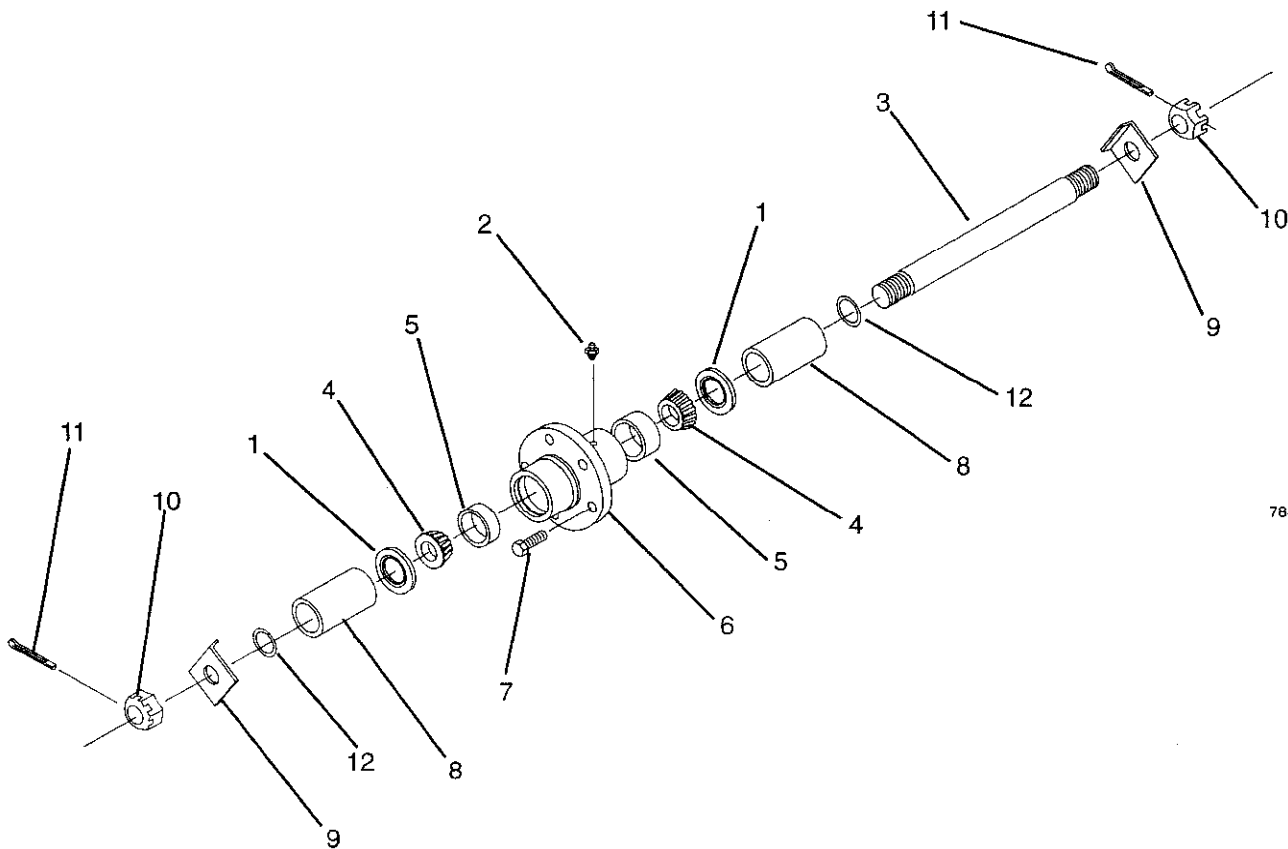


77836

ITEM	PART NO	DESCRIPTION
	14131	2" Hub & Spindle Assembly (Includes Items 1-7 & 10-15)
1	11381	Dust Cap
2	88301	3/16x1-1/2 Cotter Pin
3	10344	Outer Bearing Cup
4	24097	2" Pressed Hub (Includes Items 3, 5 & 11)
5	88263	1/8NPT Grease Fitting
6	58546	Grease Seal

ITEM	PART NO	DESCRIPTION
7	14251	2" Spindle
8	88429	1/2NFx3-1/4 GR5 Bolt
9	88304	1/2NF Lock Nut
10	14248	Inner Bearig Cone
11	14249	Inner Bearing Cup
12	88142	1/2NFx1 90 Wheel Bolt
13	10345	Outer Bearing Cone
14	16094	7/8 Spindle Washer
15	88340	7/8NF Slotted Nut

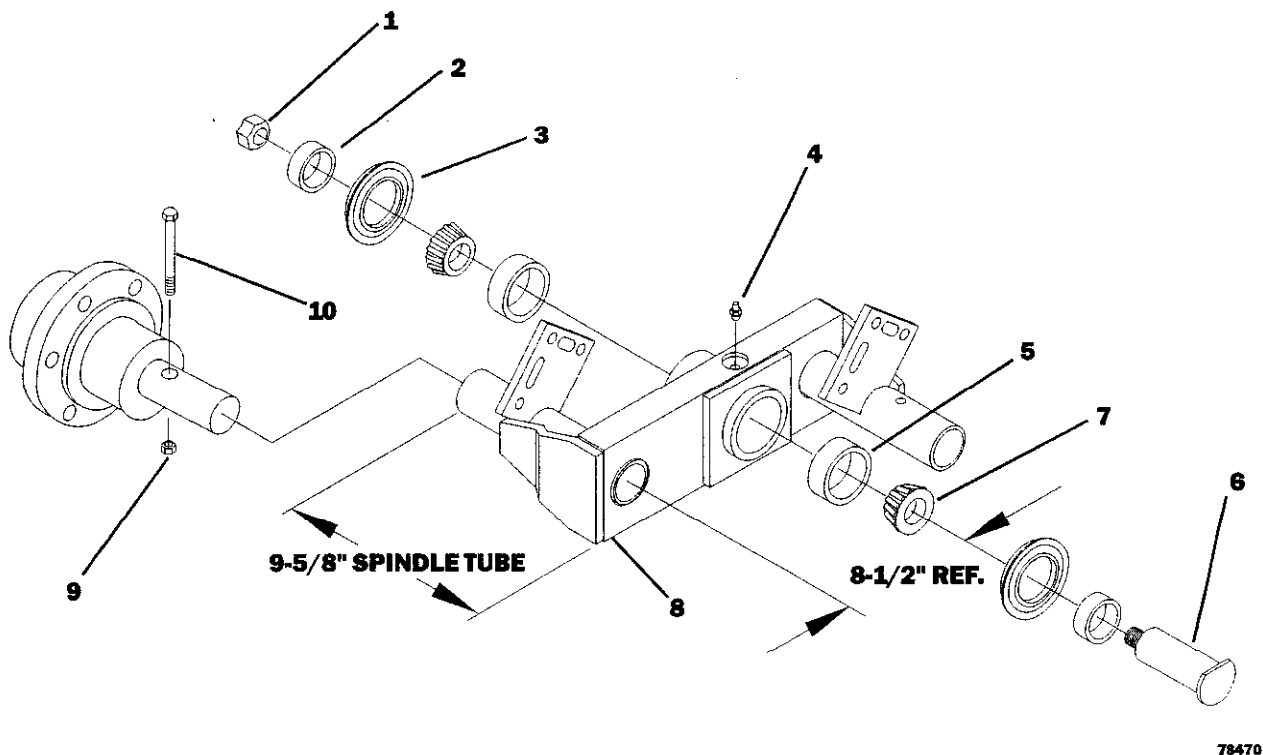
# GAUGE WHEEL HUB & SPINDLE



78476

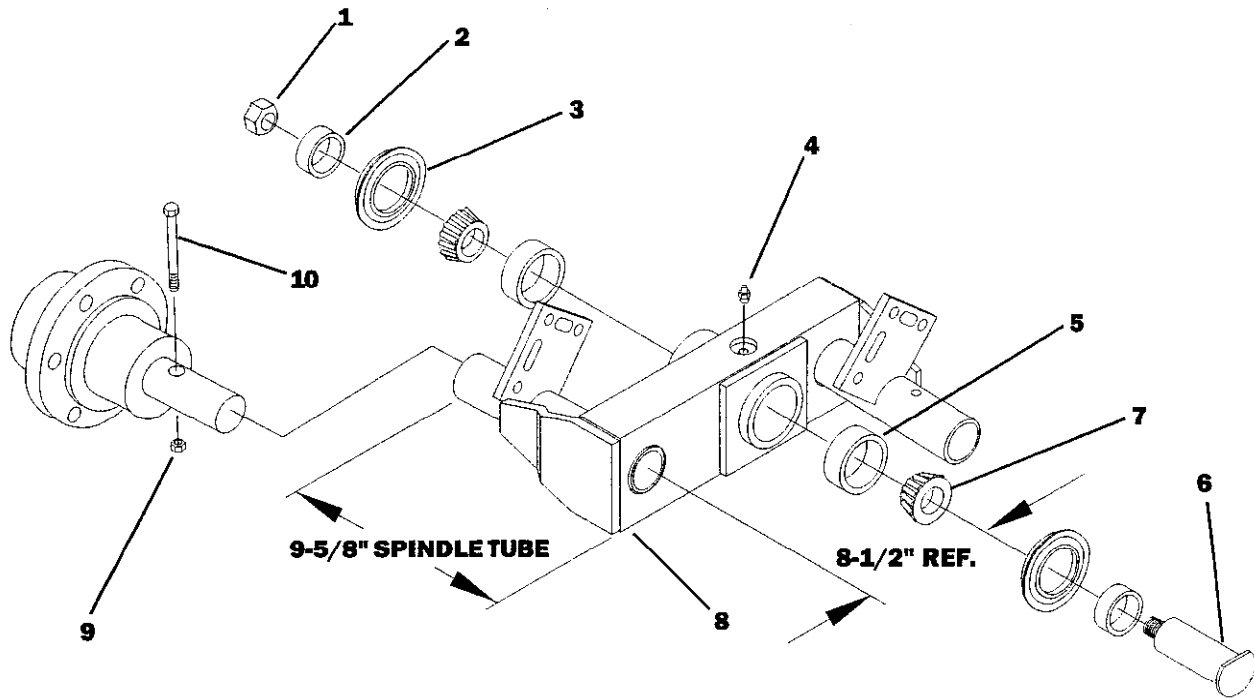
ITEM	PART NO	DESCRIPTION	ITEM	PART NO	DESCRIPTION
1	54733	Grease Seal	7	47907	9/16NFx1-1/2 90 Wheel Bolt
2	88263	1/8NPT Grease Fitting	8	54713	4" Spindle Bushing
3	54714	1-1/2 DIAx18.5 Spindle (Serial # 441249 & Below)		62400	2ODx6 Sealed Spindle Tube (Serial # 441250 & Above)
	58204	1-1/2 DIAx22 Spindle (Serial # 441250 & Above)	9	55150	Spindle Lock
4	54731	Bearing Cone	10	88299	1NF Slotted Nut
5	16082	Bearing Cup	11	88133	3/16x2 Cotter Pin
6	62389	Hub w/Cups (Includes Item 5)	12	12456	O-Ring (Req. w/62400)

# WALKING TANDEM - WING



ITEM	PART NO	DESCRIPTION	ITEM	PART NO	DESCRIPTION
1	42082	1-1/2NF Jam Nut	8	61832	Left Walker Assembly (Wing)
2	54599	Bearing Bushing 1-3/4IDx2-1/4ODx11/16 (Serial # 441249 & Below)		61834	Right Walker Assembly (Wing)
	62296	Walker Bearing Bushing (Serial # 441250 & Up)	9	88304	1/2NF Lock Nut
3	26120	Seal	10	88429	1/2NFx3-1/4 GR5 Bolt
4	88528	1/8NPT Grease Fitting			
5	12104	Bearing Cup			
6	16277	Tandem Pin			
7	12103	Bearing Cone			

# **WALKING TANDEM - MAIN FRAME**

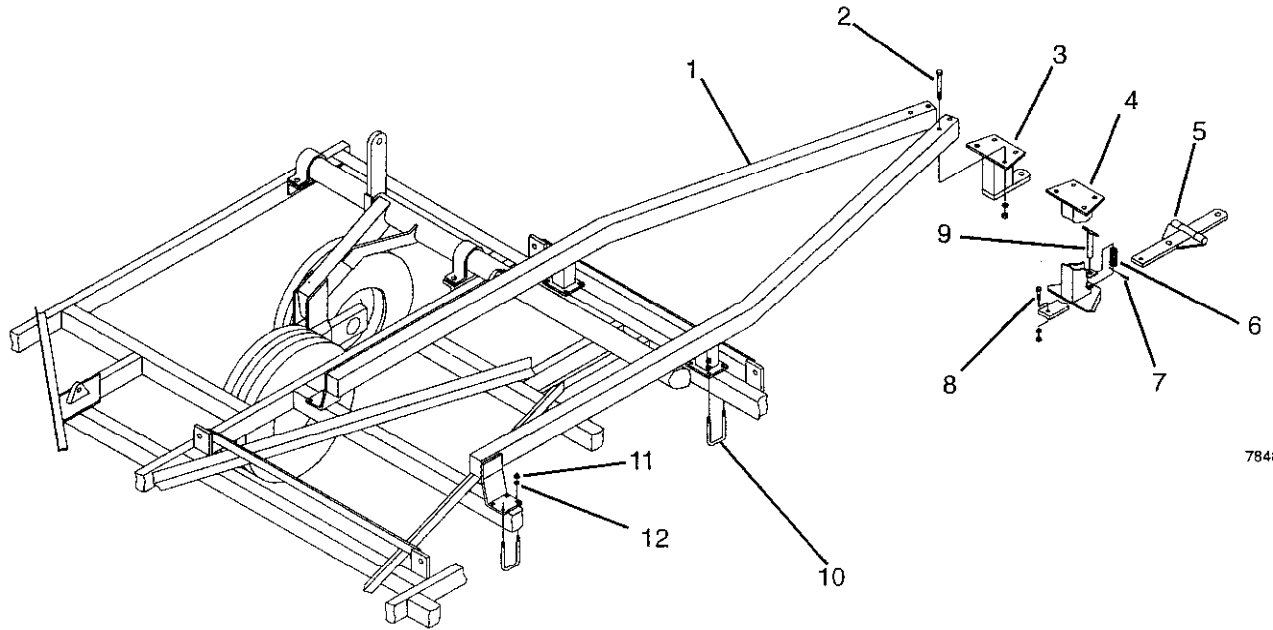


78470A

ITEM	PART NO	DESCRIPTION	ITEM	PART NO	DESCRIPTION
1	42082	1-1/2NF Jam Nut	8	61832	HD Left Walker Assy (Main Frame)
2	54599	Bearing Bushing 1-3/4Dx2-1/4ODx11/16 (Serial # 441249 & Below)		61834	HD Right Walker Assy (Main Frame)
	62296	Walker Bearing Bushing (Serial # 441250 & Up)	9	88304	1/2NF Lock Nut
3	26120	Seal	10	88429	1/2NFx3-1/4 GR5 Bolt
4	88528	1/8NPT Grease Fitting			
5	12104	Bearing Cup			
6	16277	Tandem Pin			
7	12103	Bearing Cone			



# HD AUXILIARY HITCH

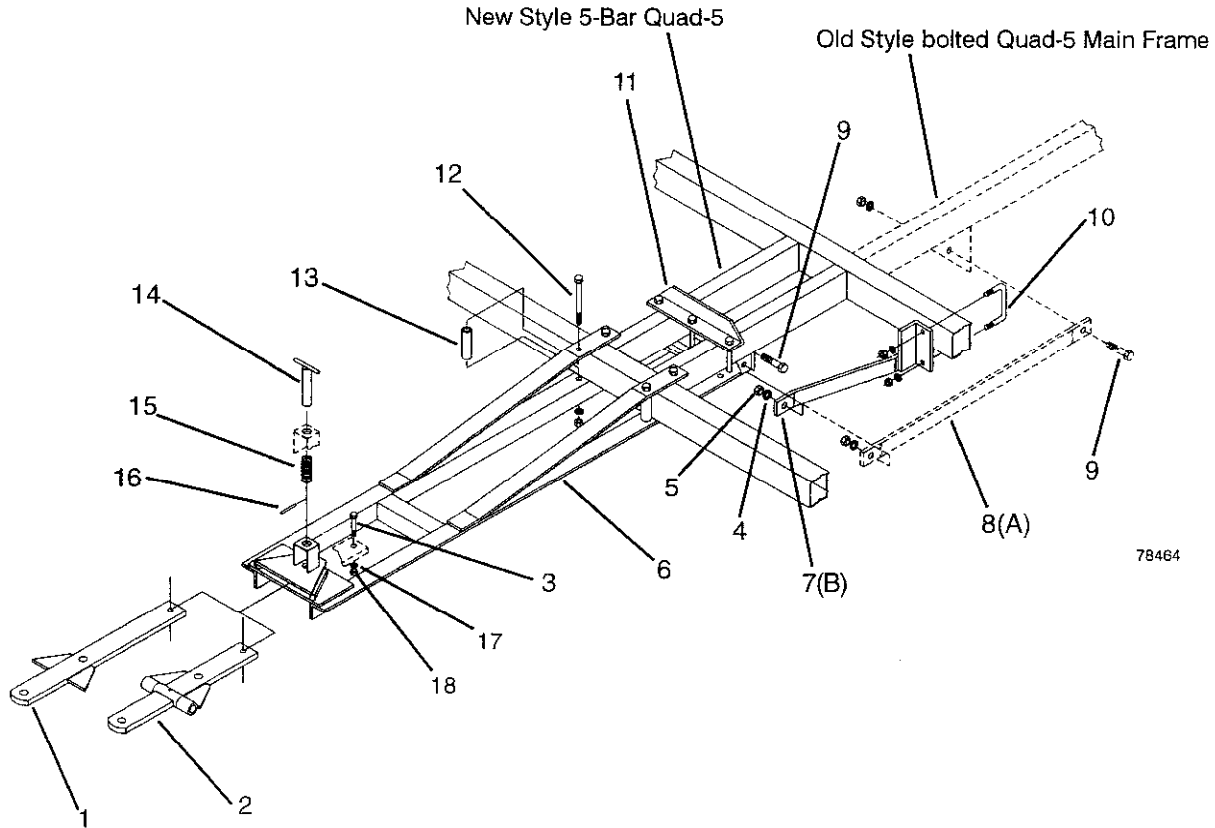


78487

ITEM	PART NO	DESCRIPTION
1	56800	HD Aux Hitch Tube Assy (Right)
2	88939	3/4NCx5-1/2 GR8 Bolt
3	56808	Tongue Mount
4	58281	Hitch Mount
5	18843	Hinged Tongue Assembly
6	15940	Spring

ITEM	PART NO	DESCRIPTION
7	88101	1/4x2-1/2 Cotter Pin
8	88294	5/8NCx2 GR5 Bolt
9	58284	Pin Assembly
10	88503	5/8NCx4x4-1/2 U-Bolt
11	88126	5/8NC Nut
12	88129	5/8 Lock Washer

# AUXILIARY HITCHES



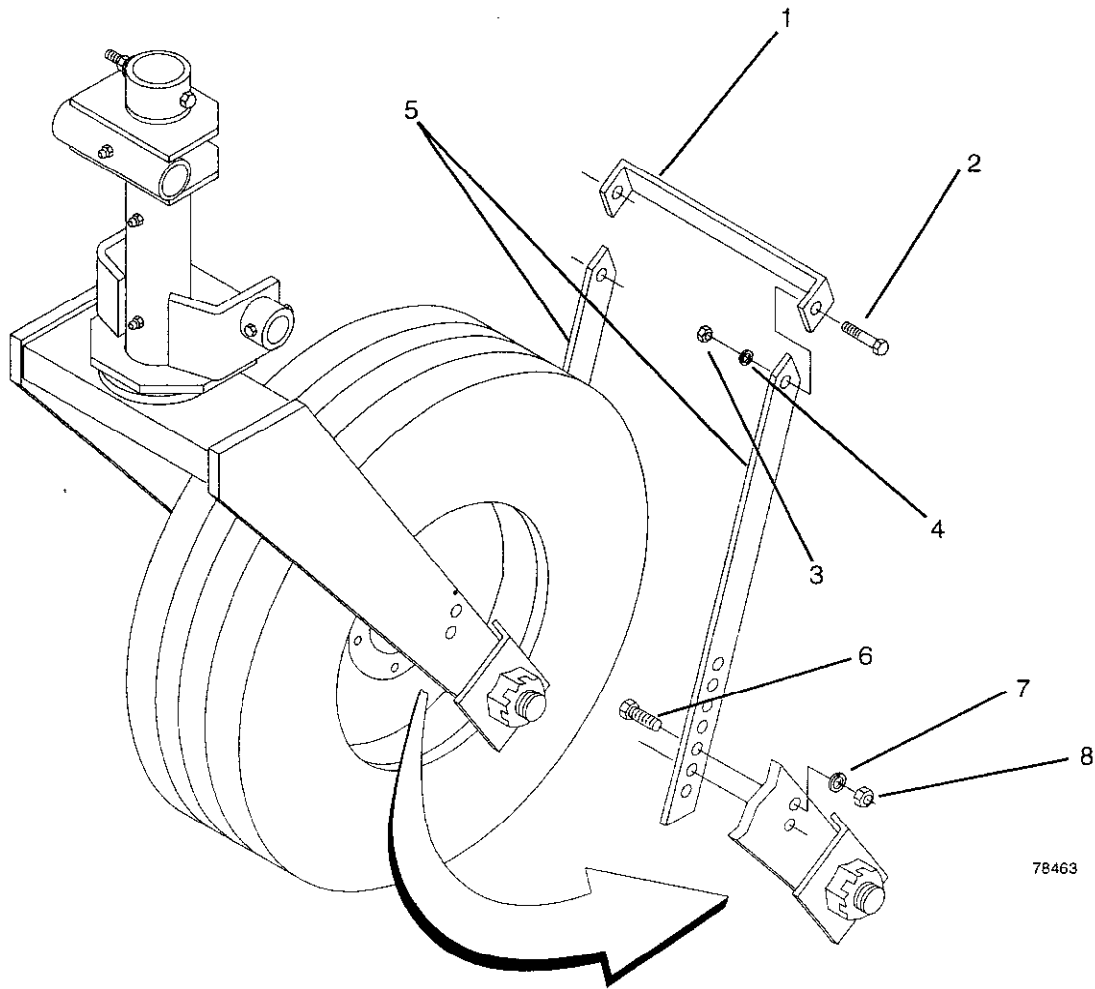
ITEM PART NO	DESCRIPTION	ITEM PART NO	DESCRIPTION
48952	(B) 3420 & 3450 Auxiliary Hitch (Solid Tongue)	1	15918 Straight Tongue Assembly
48953	(B) 3420 & 3450 Auxiliary Hitch (Hinged Tongue)	2	18443 Hinged Tongue Assembly
56772	(A) Auxiliary Hitch (Straight Tongue)	3	88294 5/8NCx2 GR5 Bolt
56773	(A) Auxiliary Hitch (Hinged Tongue)	4	88130 3/4 Lock Washer
		5	88110 3/4NC Nut
		6	48943 Auxiliary Hitch Frame Assembly
		7	56777 Right Pole Strap (Shown)(A)
			56778 Left Pole Strap (A)
		8	48949 Pole Strap (B)
		9	88290 3/4NCx2 GR8 Bolt
		10	88501 5/8NCx4x4-1/2 U-Bolt
		11	18436 Angle Clamp
		12	88295 5/8NCx6 GR5 Bolt
		13	21497 Spacer Tube
		14	15922 Pin Assembly
		15	15940 Spring
		16	88101 1/4x2-1/2 Cotter Pin
		17	88129 5/8 Lock Washer
		18	88126 5/8NC Nut

**(B) Indicates this part used only on Quad-5's with serial No.'s below 441249**

**(A) Indicates this part used only on Quad-5's with serial No.'s above 441250**

**Unmarked parts are used on both implements.**

# GAUGE WHEEL SCRAPER

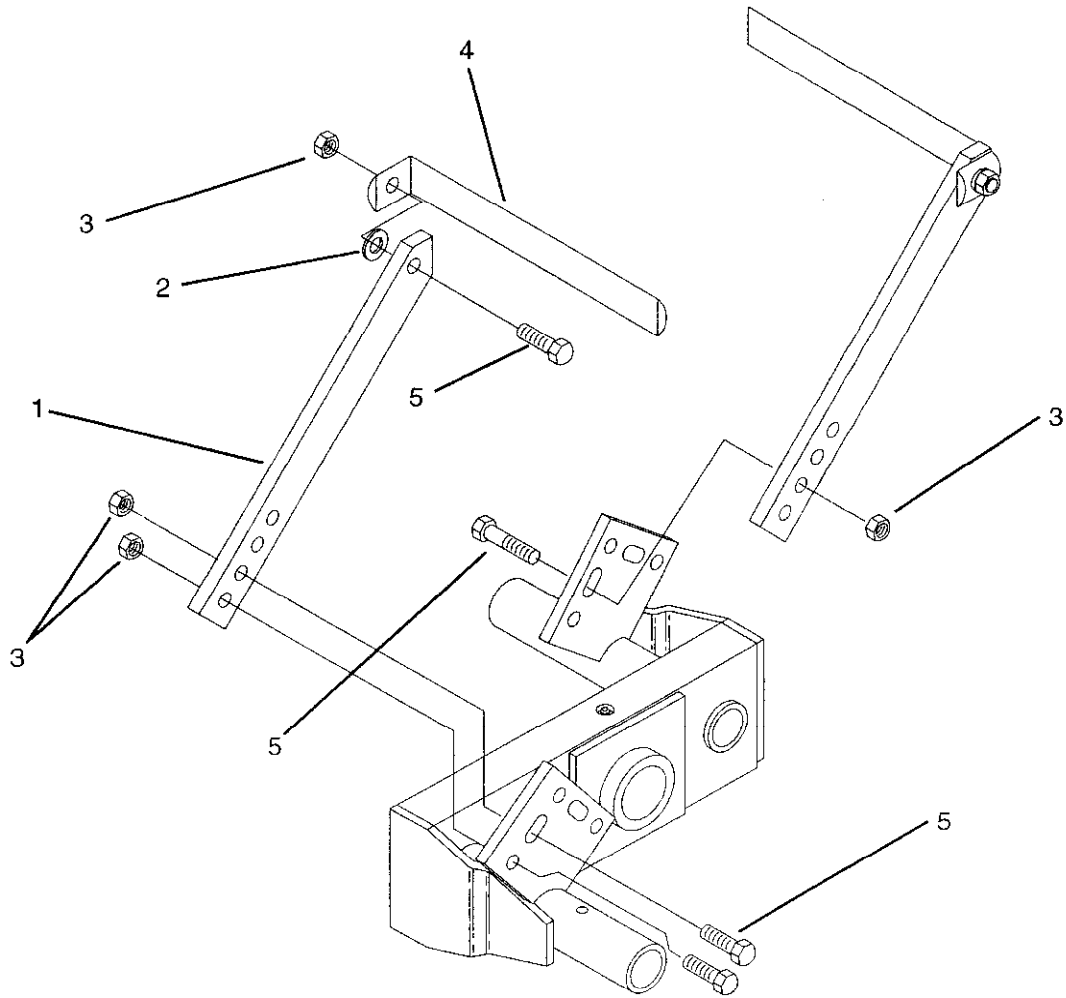


78463

ITEM	PART NO	DESCRIPTION
1	58800	Scraper Blade - 18"
	55773	Scraper Blade - 16"
2	88475	1/2x1-1/2 GR5 Bolt
3	88104	1/2NC Nut
4	88303	1/2 Lock Washer

ITEM	PART NO	DESCRIPTION
5	40915	Scraper Bar
6	88517	1/2NCx1-3/4 GR5 Bolt
7	88303	1/2 Lock Washer
8	88104	1/2NC Nut

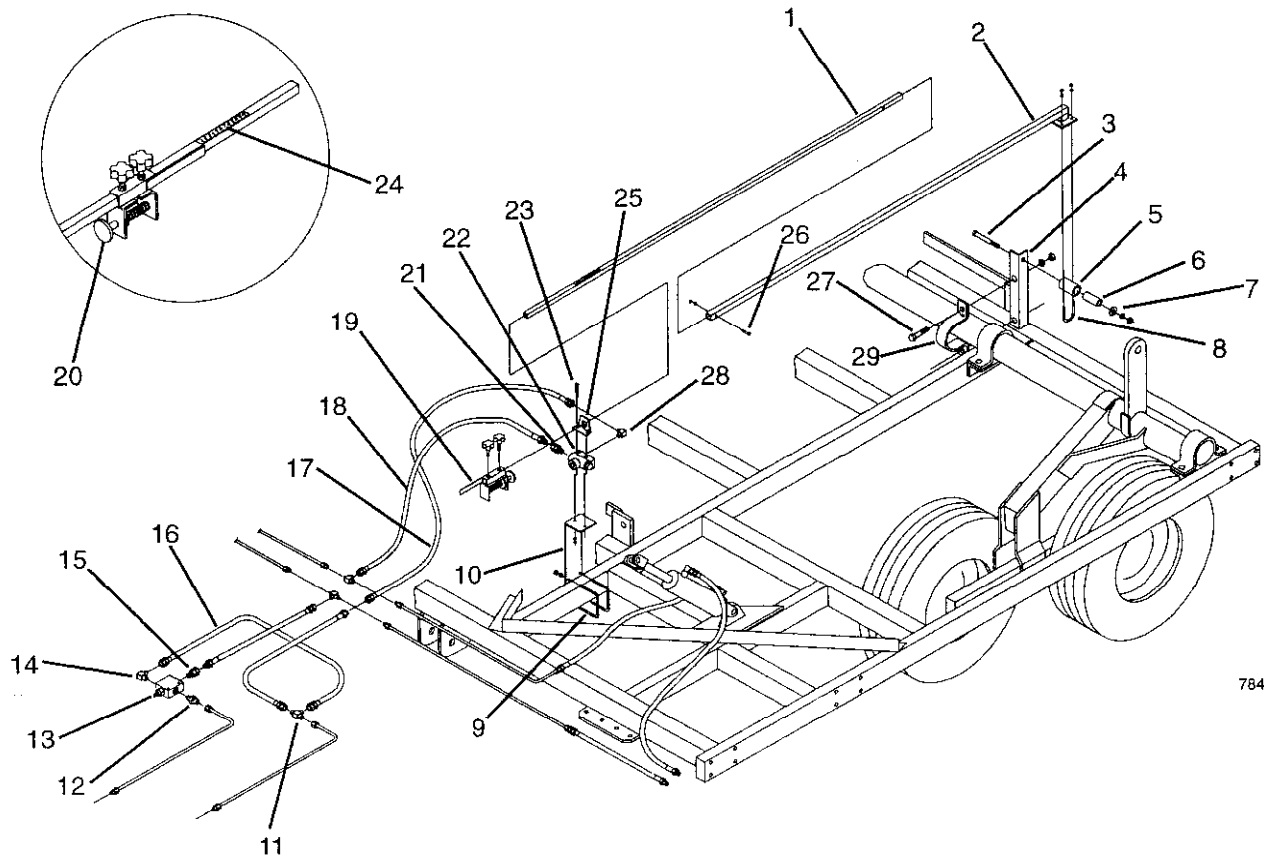
# SCRAPERS



78887

ITEM	PART NO	DESCRIPTION
1	40915	Scraper Bar
2	88277	5/8 Flat Washer
3	88845	5/8NC Top Lock Nut
4	61837	5/8DIAx13-1/2" Scraper Bar
5	88294	5/8NCx2 GR5 bolt

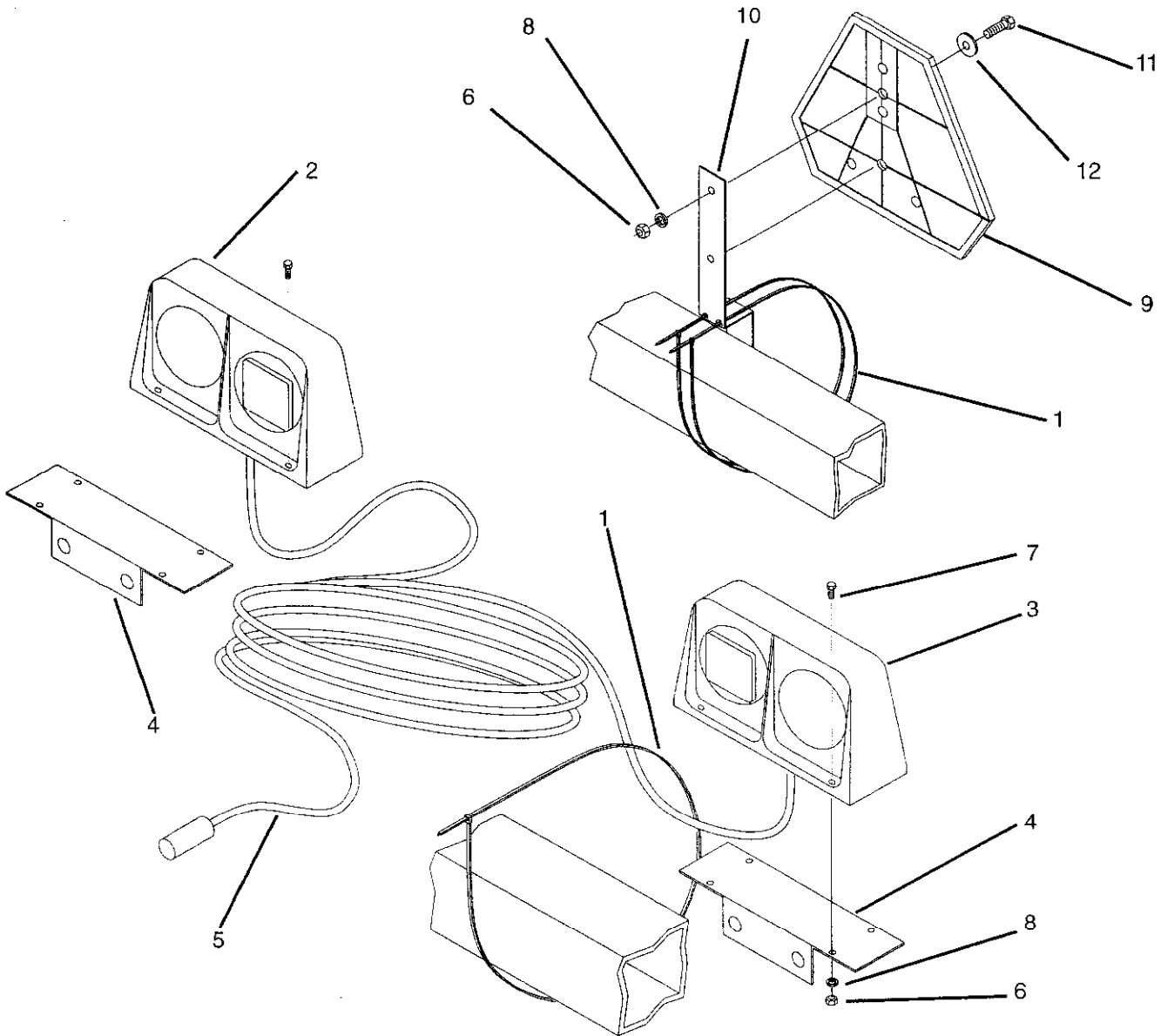
# SINGLE POINT DEPTH CONTROL



78474

ITEM	PART NO	DESCRIPTION	ITEM	PART NO	DESCRIPTION
1	51977	Depth Setting Tube (78")	16	14850	3/8x18 Hyd Hose FF
2	51946	Anchor Tube (74")	17	13266	3/8x60 Hyd Hose FF
3	88395	5/8NCx5 GR5 Bolt	18	15515	3/8x62 Hyd Hose FF
4	62433	Angle	19	62429	Bracket
5	54821	Bushing (1-5/8ODx3-1/2)	20	51976	Adjustment Knob
6	54820	Bushing (1"ODx3-5/8)	21	51981	1/2NPTx3/4JIC Adapter
7	88277	5/8 Flat Washer	22	51975	Depth Control Valve
8	18280	5/16NCx1-1/2 Tube Clamp	23	89004	5/16NCx2-1/2 GR5 Bolt
9	88515	3/8NCx4x3-3/4 U-Bolt	24	51978	Depth Control Decal
10	56911	Depth Control Bracket	25	51941	Guide
11	13238	3/4-16NF JIC Tube Tee	26	88479	5/16NCx1-1/2 GR5 Bolt
12	24024	3/4JICx3/4ORB Adapter	27	88604	3/4NCx2 GR5 Bolt
13	62390	Pressure Reducing Valve	28	13236	3/4JICx1/2NPT Elbow
14	62437	3/4JICx9/16ORB Hyd Elbow	29	19650	2" Axle Cap
15	24004	3/4ORBx3/4JIC Adapter			

# CLEARANCE LIGHT KIT & SMV KIT



ITEM	PART NO	DESCRIPTION
	41345	SMV Kit (Includes Items 1, 6, 8-12)
1	33906	Tie Wrap
2	64595	LH Dual Lamp
3	64596	RH Dual Lamp
4	64660	Light Mount Plate
5	64661	Row Crop Flat Wire Harness
6	88172	1/4NC Nut

ITEM	PART NO	DESCRIPTION
7	88203	1/4NCx1 Bolt
8	88262	1/4 Lock Washer
9	30651	SMV Emblem
10	41359	SMV Bracket
11	88203	1/4NCx1 Bolt
12	88261	1/4 Flat Washer



**1**

**⚠ DANGER**  
STAND CLEAR AT ALL TIMES:

- Never walk or stand in the path of the wings.
- Completely lower wings before performing service or adjustments.
- Failure to do so will result in serious injury or death.

**3**

**⚠ CAUTION**

FAILURE TO FOLLOW THESE INSTRUCTIONS MAY RESULT IN PERSONAL INJURY AND/OR EQUIPMENT DAMAGE.

- Just before and during operation be sure no one is on or around the implement.
- Before activating the hydraulic system, check hoses for proper connections.
- Before lowering the wings for the first time, make sure the entire system has been charged with oil.
- With wings down always install hydraulic cylinder channel lock(s) for transporting.

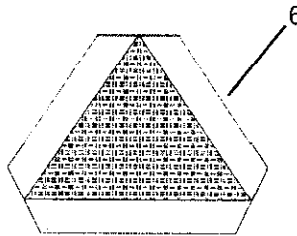
**4**

**⚠ CAUTION**

TO AVOID INJURY AND/OR EQUIPMENT DAMAGE:

- This cylinder has an integral restricting orifice and must be replaced with an identical cylinder.

20121



**7**

BY-PASS THIS END

**8**

ADJUST SCREW STOPS EVENLY

**WIL-RICH QUAD5**

**9**

**⚠ CAUTION**

FAILURE TO FOLLOW THESE INSTRUCTIONS MAY RESULT IN PERSONAL INJURY AND/OR

- Just before and during operation be sure no one is on or around the
- Before activating the hydraulic system, check hoses for proper
- Before lowering the wings for the first time, make sure the entire system has been
- With wings down always install hydraulic cylinder channel lock(s) for

**10**

**⚠ DANGER**  
STAND CLEAR AT ALL TIMES:

- Never walk or stand in the path of the wings.
- Completely lower the wings before performing service or adjustments.
- Failure to do so will result in serious injury or death.

ASSEMBLE SO DECAL IS READ FROM THE

41508

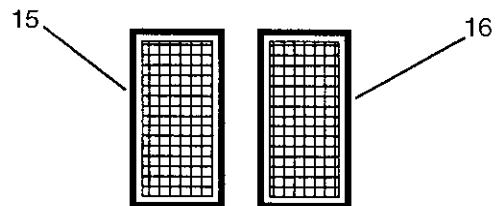
**11**

**12**

**13**

**14**

WINGS UP	WINGS DOWN	MAIN UP	MAIN DOWN
WINGS UP	WINGS DOWN	MAIN UP	MAIN DOWN
WINGS UP	WINGS DOWN	MAIN UP	MAIN DOWN
WINGS UP	WINGS DOWN	MAIN UP	MAIN DOWN
WINGS UP	WINGS DOWN	MAIN UP	MAIN DOWN
WINGS UP	WINGS DOWN	MAIN UP	MAIN DOWN



ITEM	PART NO	DESCRIPTION
1	74156	Q5 Operators
	74157	Q5 Assembly Instructions
	74169	5Bar Q5 Operators Manual
	74170	5Bar Q5 Assembly Instructions
	64402	3/4x5 WR Decal
	64403	1-1/8x7-3/8 WR Decal
2	64404	1-3/4x11-5/8 WR Decal
	49163	Danger Decal
	49165	Caution Decal
3	49165	Caution Decal
4	20121	Integral Restrictor Decal
5	54899	Quad-5 Decal Kit

ITEM	PART NO	DESCRIPTION
6	41345	SMV Kit
7	20339	Bypass Decal
8	20119	Screw Stop Adjustment Decal
9	53334	Caution Decal
10	41508	Wing Lock Danger Decal
11	54900	Wings Up Decal
12	54901	Wings Down Decal
13	54902	Main Up Decal
14	54903	Main Down Decal
15	22372	Amber Reflector
16	22371	Red Reflector

# Index

## Symbols

- 10176 Shim 3, 4, 5, 6, 7, 14, 15, 16, 17, 18, 19
- 10236 15x6 Wheel Rim ..... 22, 23
- 10344 Outer Bearing Cup ..... 60, 61
- 10345 Outer Bearing Cone ..... 60, 61
- 10399 Axle Cap .....  
..... 3, 4, 5, 6, 7, 14, 15, 16, 17, 18, 19
- 10498 15x8 Wheel Rim ..... 3, 4, 5, 6, 7, 9,  
..... 14, 15, 16, 17, 18 26, 27, 28, 29
- 11364 Clevis Hitch ..... 8, 9, 10
- 11378 Inner Bearig Cone ..... 60
- 11379 Inner Bearing Cup ..... 60
- 11381 Dust Cap ..... 60, 61
- 11397 Spring Handle ..... 56, 57, 58
- 11398 Spring Plug ..... 56, 57, 58
- 11509 Shank Holder Assembly ..... 56
- 11510 Spring ..... 56, 57, 58
- 11511 FC Shank ..... 56
- 11540 Spring Plug Assembly ..... 56, 57, 58
- 11638 1-1/4NCx6-1/2 GR5 Hitch Bolt ..... 8, 9, 10
- 11952 2" Reversible Spike ..... 59
- 12103 Bearing Cone ..... 63, 64
- 12104 Bearing Cup ..... 63, 64
- 12282 Cylinder Piston ..... 55
- 12286 4" Cylinder Snap Ring ..... 52, 53, 55
- 12293 3-1/2 Cylinder Snap Ring ..... 54
- 12299 Cylinder Piston ..... 54
- 12302 Cylinder Rod Assembly ..... 54
- 12376 Bushing (.781IDx1-1/4ODx.625) 4, 5, 6, 7
- 12456 O-Ring ..... 62
- 12724 Hose Bracket ..... 10
- 13142 95Lx15 Wheel Assembly ..... 22, 23
- 13215 Tube Clamp ..... 3, 4, 6, 8, 9, 14, 16, 18
- 13234 3/4JICx1/2NPT Coupler Adapter .....  
33, 34, 35, 36, 37, 38, 39, 41, 42, 43, 44, 45, 47, 48, 49,  
50, 51
- 13234 Adapter ..... 40
- 13235 3/4JICx3/8NPT Port Elbow . 33, 34, 35, 36,  
37, 38, 39, 40, 41, 42, 43, 44, 45
- 13236 3/4JICx1/2NPT Port Elbow . 47, 48, 49, 50,  
51, 69
- 13237 3/8 Cylinder Port Tee ..... 40, 41, 42, 44
- 13238 3/4JIC Tube Tee .....  
33, 34, 35, 36, 37, 38, 39, 43, 45, 46, 47,  
48, 49, 50, 51, 69
- 13239 3/4JIC Hose Union .....  
34, 35, 37, 38, 39, 41, 42, 43, 44, 45, 47,  
49, 50, 51
- 13239 3/4JIC Union ..... 48
- 13254 1/2x80 Hyd Tube ..... 38, 44, 50
- 13255 1/2x110 Hyd Tube ..... 33, 36, 40, 47
- 13258 1/2x60+2 Hyd Tube .....  
..... 34, 37, 38, 41, 42, 44, 47, 48, 50
- 13259 3/8x18 Hose ..... 50
- 13259 3/8x18 Hose MF ..... 43, 48
- 13260 3/8x24 Hose MF ..... 45
- 13261 3/8x30 Hose FF ..... 35, 36, 39, 43
- 13262 3/8x30 Hose MF ..... 42, 44, 47, 48, 50
- 13263 3/8x36 Hose MF .... 43, 47, 48, 49, 50, 51
- 13264 3/8x48 Hose MF .....  
34, 37, 38, 41, 42, 43, 44, 45, 48, 49, 50
- 13265 3/8x56 Hose FF ..... 38, 44, 49, 51
- 13266 3/8x60 Hose MF ..... 39, 43, 47, 69
- 13267 3/8x72 Hose MF .....  
33, 34, 36, 37, 38, 40, 41, 42, 44, 47, 48, 49, 50
- 13268 3/8x78 Hose FF ..... 38, 39, 44, 45, 51
- 13269 3/8x84 Hose MF ..... 39, 45, 47
- 13270 Pole Tube Bracket .. 3, 4, 6, 8, 14, 16, 18
- 13287 1/2x38 Hyd Tube ..... 47, 48
- 13482 3/8x108 Hose FF ... 35, 39, 43, 45, 49, 51
- 13483 3/8x120 Hose FF .... 40, 41, 42, 43, 44, 51
- 13484 3/8x156 Hose FF ..... 40, 41, 42, 43, 45
- 13569 4x8 Cylinder Rod ..... 52
- 13570 Stop Collar Screw Stop ..... 52, 53
- 13580 3/8x96 Hose MF ..... 33
- 13681 1-1/2" Cylinder Lock Channel ..... 47, 48,  
..... 49, 50, 51
- 13851 Stop Plate 4x8 ..... 52, 53
- 14131 2" Hub & Spindle Assembly ..... 61
- 14248 Inner Bearig Cone ..... 61
- 14249 Inner Bearing Cup ..... 61
- 14251 2" Spindle ..... 61
- 14537 Seal Kit ..... 52
- 14644 3/8x36 Hose FF ..... 37, 41, 42
- 14685 HK 7/16x1-1/2 FC Shovel Kit ..... 59
- 14822 Cylinder Yoke ..... 52, 53
- 14824 Piston Lock Nut ..... 52, 53, 54, 55
- 14850 3/8x18 Hose FF ..... 43, 45, 47, 69
- 14851 3/8x42 Hose FF 34, 37, 39, 40, 41, 42, 45
- 14905 Seal Kit ..... 54
- 14906 Seal Kit ..... 52, 53
- 14907 Seal Kit ..... 55
- 15113 1-1/2 Stop Collar . 47, 48, 49, 50, 51, 52, 53
- 15221 9" Dura-Crown Shovel (924) ..... 59
- 15485 Top Adjustment Assembly ..... 22, 23
- 15515 3/8x62 Hose FF .....  
..... 35, 36, 39, 43, 45, 49, 51, 69
- 15543 Base Plate ..... 3, 14, 16, 18
- 15579 Shank Carriage Bolt ..... 56, 57
- 15699 1/2x86 Hyd Tube ..... 50
- 15811 1/2x65 Hyd Tube ..... 47, 48
- 15910 1/2x110 Hyd Tube ..... 36, 37, 38,  
..... 40, 41, 42, 43, 44, 45
- 15918 Straight Tongue Assembly ..... 66
- 15922 Pin Assembly ..... 66
- 15940 Spring ..... 65, 66
- 15995 3/8x24 Hose MF ..... 35
- 16009 Collar ..... 26, 27
- 16082 Bearing Cup ..... 62
- 16094 7/8 Spindle Washer ..... 60, 61
- 16221 4x9.3 Cylinder Rod ..... 53
- 16277 Tandem Pin ..... 63, 64
- 16287 95Lx15 Tubeless Tire .....  
..... 22, 23, 26, 27, 28, 29



16287	95I15 Tubeless Tire	3, 4, 5, 6, 7, 14, 15, 16, 17, 18, 19	26815	8" Saddle Stub	14, 15, 16, 17, 18, 19, 20, 21, 22, 23, 25
16290	95Lx15 Wheel Assembly	3, 4, 5, 6, 7, 14, 15, 16, 17, 18, 19, 26, 27, 28, 29	26817	Backing Plate	14, 15, 16, 17, 18, 19, 20, 21, 22, 23, 25
16339	FC Shovel Extension Kit	59	27050	Shank Holder Assembly	57
18214	1-1/4NCx6-1/2 GR5 Hitch Bolt	10	30405	6 Bolt Hub w/cups	60
18236	Dual Cast Hitch	8, 9, 10	30651	SMV Emblem	30, 31, 70
18237	Cast Hitch	8, 9, 10	30784	Valve Stem	22, 23, 3, 5, 6, 7, 14, 16, 4, 15, 17, 18, 19, 26, 27, 28, 29
18280	5/16NCx1-1/2 Tube Clamp	69	33096	Nylon Tie Wrap	30, 31
18436	Angle Clamp	66	33906	Tie Wrap	70
18443	Hinged Tongue Assembly	66	40915	Scraper Bar	67, 68
18843	Hinged Tongue Assembly	65	41232	1-3/4 Spindle	60
19650	2" Axle Cap	69	41233	1-3/4 Hub & Spindle	22, 23, 60
19802	7" High Crown Shovel	59	41345	SMV Kit	30, 31, 70, 71
19803	9" High Crown Shovel	59	41359	SMV Bracket	30, 31, 70
20119	Screw Stop Adjustment Decal	71	41452	Centering Washer	58
20121	Integral Restrictor Decal	71	41508	Wing Lock Danger Decal	71
20339	Bypass Decal	71	41575	FC Shovel Extension	59
20464	1/2x48+2 Hyd Tube	48, 50	41638	4" Sweep (41 ) S-Shank	59
20465	1/2x48 Hyd Tube	34, 37, 41, 42, 48, 50	41639	7" Sweep (41 ) S-Shank	59
20569	Shank to Frame Bracket	56	41640	9" Sweep (41 ) S-Shank	59
20570	FC Shank Assembly (4")	56	41891	Hi-Torque Spring Bracket	57
20637	1/2NFx3 GR5 Bolt	56, 57	41892	Hi-Torque FC Shank Assy	57
20961	4x30 Cylinder Tube Assembly	55	42082	1-1/2NF Jam Nut	63, 64
20963	4x30 Cylinder Rod Assembly	55	42471	1/4x5 Spring Lock Pin	49
21037	1/2x72 Hyd Tube	48, 50	42472	Cylinder Pin	54
21488	7" Low Crown Shovel (924)	59	42473	Cylinder Pin	55
21489	9" Low Crown Shovel (924)	59	42480	4x9.3 Top Bypass Cylinder	49
21490	10" Low Crown Shovel (924)	59	42484	Cylinder Lock Pin	4, 5, 6, 7, 14, 15, 17, 18, 52, 53, 54, 55
21491	12" Low Crown Shovel (924)	59	42484	Cylinder Lock Pin	29
21492	10" High Crown FC Shovel	59	42573	4x8 Cylinder Tube Assy TBP	52
21493	12" High Crown FC Shovel	59	42574	4x9.3 Cylinder Tube Assy TBP	53
21497	Spacer Tube	66	42576	End Gland	52, 53, 55
21535	FC Shank	57, 58	42577	Piston	52, 53
22047	Twin Spring Bracket	58	42579	4x8 Top Bypass Cylinder	47, 48, 49, 50, 51, 52
22051	Shank Holder Assembly	58	42580	4x9.3 Top Bypass Cylinder	6, 7, 47, 48, 49, 50, 51, 53
22371	Red Reflector	12, 71	42664	Seal Kit	52, 53
22372	Amber Reflector	12, 71	42721	1/4x5 Spring Lock Pin	47, 48, 50, 51
22463	3/4NC Lock Nut	58	46714	15x10 Wheel Rim	4
22463	3/4NF Lock Nut	56	47907	9/16NFx1-1/2 90 Wheel Bolt	62
22933	3/4NFx4-1/2 GR5 Bolt	58	47926	Cone Base Nylon Lock Nut	57
23030	Hairpin Cotter 2.69"	7, 10	48512	3411 Wing Rest	31
23153	1/2NCx2 GR5 Bolt	56, 57, 58	48514	3450 Wing Rest	31
24024	3/4JICx3/4ORB Adapter	43, 45, 46, 69	48518	Left Wing Lift Assembly	15, 17
24097	2" Pressed Hub	61	48519	Right Wing Lift Assembly	15, 17
24182	3/8x84 Hose MF	36, 40, 44	48520	Left Wing Lift Assembly	19
24415	Jack	8, 9, 10	48521	Right Wing Lift Assembly	19
24459	Safety Chain	8, 9, 10	48522	Wing Lift Link	14, 24
24569	3/8x80 Hose FF	33	48523	Wing Lift Bushing	24
25580	3/4JICx3/4ORB Elbow	46	48536	20" Saddle Stub	25
25585	Triple Lip Seal (1.62ID)	60	48537	Wing Hinge	14, 15, 16, 17, 18, 19
25586	Wear Sleeve	60	48943	Auxiliary Hitch Frame Assembly	66
25591	3/4JICx3/4JIC Swivel	46	48949	Pole Strap	66
25595	3/8x26 Hose FF	36, 40	48952	(B) 3420 & 3450 Auxiliary Hitch	66
25596	3/8x32 Hose FF	33	48953	(B) 3420 & 3450 Auxiliary Hitch	66
25602	3/8x65 Hose FF	33, 37, 40, 41, 42	49024	2Ft Rigid Stub	13
25603	3/8x75 Hose FF	34, 36, 37, 40, 41, 42, 44			
26120	Seal	63, 64			
26121	Wear Sleeve & Seal Kit	60			
26774	Gauge Wheel Leg	22, 23			

49025	12" Saddle Stub .....	14, 15, 16, 17, 18, 19, 22, 25	54683	Mast Support Right .....	27, 29
49163	Danger Decal .....	71	54684	Mast Support Left .....	29
49165	Caution Decal .....	71	54689	Tube Pin 4, 5, 6, 7, 14, 15, 16, 17, 18, 19	
51207	3-1/2 Cylinder Gland .....	54	54713	4" Spindle Bushing .....	62
51211	Seal Kit .....	54	54714	1-1/2 DIAx18.5 Spindle .....	62
51212	Seal Kit .....	55	54731	Bearing Cone .....	62
51219	4x30 Cylinder .....	33	54733	Grease Seal .....	62
51229	4x30 Cylinder .....	3, 4, 6, 55	54734	Yoke (14" Width) .....	27, 29
		5, 34, 35, 36, 37, 38, 39, 40, 41, 42, 43, 44, 45	54796	Center Adjust Tube .....	5, 7
51235	3-1/2x24 Cylinder .....	40, 41, 42, 43, 44, 45, 54	54798	Left Wing Adjust Tube .....	15, 17, 19
51454	Right 3' 5Bar Q5 Wing .....	21	54800	Clevis Adjust Rod .....	4, 5,
51455	Left 3' 5Bar Q5 Wing .....	21			6, 7, 14, 15, 16, 17, 18, 19
51456	Hinge Link .....	20, 21	54809	Top Link Arm (8") .....	28, 29
51459	Right Anchor .....	21, 23	54820	Bushing (1"ODx3-5/8) .....	69
51460	Left Anchor .....	21, 23	54821	Bushing (1-5/8ODx3-1/2) .....	69
51461	Right Rear Hinge .....	20, 21, 22, 23	54827	Spring Pin .....	29
51462	Left Rear Hinge .....	20, 21, 22, 23	54834	4-1/2" Compression Spring .....	28, 29
51465	Lift Linkage .....	20, 21, 22, 23	54899	Quad-5 Decal Kit .....	71
51466	Right 5' 5Bar Q5 Wing .....	23	54900	Wing Up Decal .....	33, 34, 35, 36, 37, 38,
51467	Left 5' 5Bar Q5 Wing .....	23			39, 40, 41, 42, 43, 44, 45, 71
51468	Bushing (.782IDx1"ODx1.06) .....	20, 21, 22, 23	54901	Wing Down Decal .....	33, 34, 35, 36, 37, 38,
51469	Shim (16Ga x 2-1/4x 4) .....	20, 21, 22, 23			39, 40, 41, 42, 43, 44, 45, 71
51472	Lift Linkage .....	22, 23	54902	Main Up Decal .....	47, 48, 49, 50, 51, 71
51655	Sequence Valve .....	43, 45, 46	54903	Main Down Decal .....	47, 48, 49, 50, 51, 71
51656	Outer Wing Rest .....	23	54985	11'8" Floating Wing Stub .....	19
51931	Wing Spacer .....	21, 23	54986	16Ft. Main Frame Stub .....	7
51941	Guide .....	69	54988	16' Floating Hitch Pole .....	10
51946	Anchor Tube (74") .....	69	54995	Center Axle .....	6, 7
51975	Depth Control Valve .....	69	55036	Front Wing Rest .....	31
51976	Adjustment Rod .....	69	55150	Spindle Lock .....	62
51977	Depth Setting Tube (78") .....	69	55151	Collar .....	28, 29
51978	Depth Control Decal .....	69	55152	3/4x4 Pin .....	28, 29
51981	1/2NPTx3/4JIC Adapter .....	69	55282	Rifgt Front Hinge .....	21
53098	Ouer Wing Rest .....	21	55282	Right Front Hinge .....	23
53334	Caution Decal 71		55283	Left Front Hinge .....	21, 23
53405	Edge Formed FC Shank Assy .....	56	55655	HD Edge Formed Shank .....	58
53406	Hi-Torqu Edge Formed FC .....		55658	Twin Spring Edge Formed FC .....	58
	Shank Assy .....	57	55659	Gauge Wheel Mast .....	26, 28
53408	Edge Formed FC Shank .....	56, 57	55674	13' Floating Hitch (130" Long) .....	9
54516	13FT Main Stub .....	5	55675	16' Floating Hitch (164" Long) .....	9
54538	Center Pull Rod .....	5	55697	3-1/2x24 Cylinder Tube Assembly .....	54
54540	3/8x89 Hose FF .....	38	55714	Right 3' 5Bar Q5 Wing .....	20
54556	Lower Gauge Arm .....	27	55715	Left 3' 5Bar Q5 Wing .....	20
54557	Lower Link Arm .....	29	55717	Right 3' 5Bar Q5 Wing .....	22
54559	Top Link Arm (8") .....	26, 27	55718	Left 3' 5Bar Q5 Wing .....	22
54563	Gauge Wheel Mast .....	27, 29	55740	Right Wing Adjust Tube .....	14, 16, 18
54571	Gauge Wheel Pivot .....	26, 27, 28, 29	55741	Left Wing Adjust Tube .....	14, 16, 18
54586	Center Axle .....	4, 5	55749	Center Adjust Tube .....	4, 6
54589	7' Floating Wing Stub .....	15	55758	Wing Rest .....	20, 22
54592	Right Q5 Main Axle Assembly .....	5	55769	5Bar Q5 Single Wing Rest .....	31
54593	Left Q5 Main Axle Assembly .....	5	55772	Front Hinge .....	20, 22
54595	Pivot Pin .....	26, 27, 28, 29	55773	Scraper Blade - .....	16" 67
54597	Left Wing Axle Assembly w/Walker .....		55838	Hose Bracket .....	8, 9
		15, 17, 19	56222	2Ft. Rigid Wing .....	12
54598	Right 5Bar Q5 Wing Axle w/o Walker .....		56534	3/4ICx3/4ORBx3/4JIC Tee .....	46
		15, 17, 19	56535	Manifold Block .....	46
54599	Bearing Bushing 1-3/4IDx2-1/4ODx11/16 .....	63, 64	56536	Manifold Block Mount .....	3, 4, 6, 46
54621	Adjust Rod .....	14, 15, 16, 17, 18, 19	56537	1/2x5-1/8 U-Hyd Tube .....	46
			56538	1/2x3-1/4 U-Hyd Tube .....	46
			56539	3/8x50 Hose FF .....	36, 38, 40, 44

56540	3/8x89 Hose FF	44	62389	Hub w/Cups	62
56772	(A) Auxiliary Hitch	66	62390	Pressure Reducing Valve	69
56773	(A) Auxiliary Hitch	66	62400	2ODx6 Sealed Spindle Tube	62
56777	Right Pole Strap	66	62404	Cylbder Pin	52, 53
56778	Left Pole Strap	66	62429	Bracket	69
56800	HD Aux Hitch Tube Assy	65	62433	Angle	69
56808	Tongue Mount	65	62437	3/4JICx9/16ORB Hyd Elbow	69
56876	Right 5Bar Q5 Wing Axle w/o Walker	14, 16, 18	62804	Pin Guide	28
56877	Left 5Bar Q5 Wing Axle w/o Walker	14, 16, 18	62805	Spring Pin	28
56886	Left 5Bar Q5 Wing Axle w/o Walker	15, 17, 19	64019	Gauge Arm Trunion	5
56887	Right Wing Axle Assembly w/Walker	15, 17, 19	64402	3/4x5 WR Decal	71
56888	Right Q5 Main Axle	5, 7	64403	1-1/8x7-3/8 WR Decal	71
56889	Left Q5 Main Axle	5, 7	64404	1-3/4x11-5/8 WR Decal	71
56911	Depth Control Bracket	69	64595	LH Dual Lamp	70
56996	13' 5Bar Q5 Main Frame	4	64596	RH Dual Lamp	70
56997	16' 5Bar Q5 Main Frame	6	64660	Light Mount Plate	70
56998	Right 7' 5Bar Q5 Wing	14, 15	64661	Row Crop Flat Wire Harness	70
56999	Left 7' 5Bar Q5 Wing	14, 15	66277	11' 5BQ5 Main Frame	3
57906	31x13.50 8 Ply Tire assy	4	66294	Tube	3
57907	31x13.50 8 Ply Tire	4	66309	11' 5BQ5 Main Hitch	8
57908	Valve Assembly	4	66310	Center Adjust Rod	3
57918	Right 9'4" 5Bar Q5 Wing	16	66313	11 5BQ5 Main Axle	3
57919	Left 9'4" 5Bar Q5 Wing	16	66314	11' Wing Rest	30
57920	Right 9'4" 5Bar Q5 Wing	18	66315	11 5BQ5 Main Adjust Tube	3
57921	Left 9'4" 5Bar Q5 Wing	18	66965	13' HD 5BQ5 Main Axle (Red)	6
57980	Right 9'4" 5Bar Q5 Wing	19	66970	13' HD 5BQ5 Main Axle (Red)	4
57981	Left 9'4" 5Bar Q5 Wing	19	88101	1/4x2-1/2 Cotter Pin	65, 66
58203	Yoke (18")	26, 28	88103	3/8NC Nut	46
58204	1-1/2 DIAx22 Spindle	62	88104	1/2NC Nut	25, 67
58281	Hitch Mount	65	88110	3/4NC Nut	66
58284	Pin Assembly	65	88126	5/8NC Nut	56, 57, 58, 65, 66
58546	Grease Seal	61	88129	5/8 Lock Washer	56, 57, 58, 65, 66
58800	Scraper Blade - 18"	67	88129	5/8NC Lock Washer	56, 57, 58
61236	13' 5Bar Q5 Wing Rest	31	88130	3/4 Lock Washer	66
61237	16' 5Bar Q5 Wing Rest	31	88131	3/4 Flat Washer	4, 5, 6, 7, 20, 21, 22
61377	Left HD 5BQ5 Main Axle (Red)	4, 6	88133	3/16x2 Cotter Pin	8, 9, 10, 62
61378	Right HD 5BQ5 Main Axle (Red)	4, 6	88142	1/2NFx1 90 Wheel Bolt	22, 60, 61
61384	Lower Link Arm	28	88152	7/16 Flat Washer	59
61385	Left 8" Lower Link Arm	26	88172	1/4NC Nut	70
61386	Right 8" Lower Link Arm	26	88190	1/4NCx1/2 Bolt	54
61744	Left Wing Lift Assembly	14, 16	88196	1" Flat Washer	24
61745	Right Wing Lift Assembly	14, 16	88203	1/4NCx1 Bolt	70
61746	Left Wing Lift Assembly	18	88261	1/4 Flat Washer	70
61747	Right Wing Lift Assembly	18	88262	1/4 Lock Washer	70
61832	HD Left Walker Assy	64	88263	1/8NPT Grease Fitting	4, 5, 6, 7, 14, 15, 16, 18, 19, 60, 61, 62
61834	HD Right Walker Assy	64	88264	1NCx6 GR5 Bolt	20, 21, 23
61837	5/8DIAx13-1/2" Scraper Bar	68	88272	3/4NCx4 GR5 Bolt	26, 27
61839	Left Walker Assembly	63	88277	5/8 Flat Washer	68, 69
61841	Right Walker Assembly	63	88278	5/16 Flat Washer	55
61842	Right Main Axle w/Walker	7	88290	3/4NCx2 GR8 Bolt	5, 7, 15, 17, 19, 66
61842	Right Wing Axle Assembly w/Walker	7, 14, 16, 18	88291	3/4NCx3 GR5 Bolt	20, 21, 22
61843	Left Wing Axle Assembly w/Walker	7, 14, 16, 18	88292	5/8NCx3-1/2 GR5 Bolt	12, 13, 14, 15, 16, 17, 18, 19, 20, 21, 22, 23
61844	Left HD 5BQ5 Main Axle Assy	4, 6	88293	3/4NCx6 GR5 Bolt	14, 15, 16, 18, 26, 28
61845	Right HD 5BQ5 Main Axle Assy	4, 6	88294	5/8NCx2 GR5 Bolt	56, 57, 58, 65, 66, 68
62296	Walker Bearing Bushing	63, 64	88295	5/8NCx6 GR5 Bolt	5, 7, 27, 29, 66
			88298	5/8NCx4 GR5 Bolt	12, 14, 16, 18, 20, 22, 31
			88299	1NF Slotted Nut	62
			88301	3/16x1-1/2 Cotter Pin	60, 61

88303	1/2 Lock Washer .....	25, 67	88685	1-3/8NC Heavy Hex Nut .....	3
88304	1/2NF Lock Nut .....		88706	Set Screw 5/16NCx5/16 .....	52, 53, 54, 55
	..... 22, 23, 56, 57, 60, 61, 63, 64		88738	1" SAE Flat Washer .....	28
88311	5/8NCx2-1/2x3-3/4 U-Bolt .....	22, 23	88778	1/4NF 45 Grease Fitting .....	26, 27, 28, 29
88312	1NCx5 GR5 Bolt .....	20, 21, 22, 23, 24	88845	5/8NC Top Lock Nut .....	68
88313	1/2NFx3 GR5 Bolt .....	22, 23, 60	88855	1/4 Flat Washer .....	54
88340	1-1/4NC Lock Nut .....	10	88939	3/4NCx5-1/2 GR8 Bolt .....	65
88340	7/8NF Slotted Nut .....	60, 61	89004	5/16NCx2-1/2 GR5 Bolt .....	69
88344	7/16NC Nut .....	59	89069	3/8NCx5x4 U-Bolt .....	8, 9
88348	1NC Lock Nut .....		89075	1NC Lock Nut .....	24
	..... 14, 15, 16, 17, 18, 19, 20, 21, 22, 23		89134	1-1/4NCx7 GR5 Bolt .....	3
88350	1-1/4NC Slotted Nut .....	8, 9, 10			
88351	1/4NCx3/4 Bolt .....	30, 31			
88362	3/8 Lock Washer .....	46			
88362	3/8Lock Washer .....	52, 53			
88363	1/2NC Lock Nut .....	58			
88385	3/8Ncx4x4-3/4 U-Bolt .....	10			
88387	Thumb Screw 3/8NCx3/4 .....	52, 53			
88388	5/8NCx4x3-1/4 U-Bolt .....	21, 22, 23			
88392	7/16NCx1-1/2 Bolt .....	59			
88393	1NCx2-1/2 GR5 Bolt .....	14, 16, 18, 19			
88395	5/8NCx5 GR5 Bolt .....	69			
88399	1NCx3 GR5 Bolt .....	20, 21, 22, 23			
88404	3/4NCx2-1/2 GR5 Bolt .....	4, 5, 6, 7			
88427	1-1/4NCx8 GR5 Bolt .....	8, 9, 10			
88429	1/2NFx3-1/4 GR5 Bolt .....	61, 63, 64			
88430	1-1/4NC Lock Nut .....	3			
88447	1NCx3-1/2 GR5 Bolt .....				
	..... 14, 15, 16, 17, 18, 19, 24				
88453	5/8NCx4x4-1/2 U-Bolt .....	20, 22			
88464	Plow Bolt 7/16NCx2-1/4 GR5 .....	59			
88475	1/2NCx1-1/2 GR5 Bolt .....				
	14, 15, 16, 17, 18, 19, 20, 21, 22, 23, 25, 67				
88479	5/16NCx1-1/2 GR5 Bolt .....	69			
88495	7/8NCx2-1/2 GR5 Bolt .....				
	..... 3, 6, 7, 14, 15, 16, 17, 18, 19				
88501	5/8NCx3-1/2 GR5 Bolt .....	21, 23, 30,			
	..... 31, 56, 57, 58 66				
88503	5/8NCx3x5-1/4 U-Bolt .....				
	..... 20, 21, 22, 23, 27, 29, 31				
88503	5/8NCx4x4-1/2 U-Bolt .....	65			
88514	3/8NCx4x3-3/4 U-Bolt .....	4, 6, 8			
88515	3/8NCx4x2-3/4 U-Bolt .....	3, 4, 6, 14, 16, 18, 69			
88517	1/2NCx1-3/4 GR5 Bolt .....	67			
88528	1/8NPT Grease Fitting .....	63, 64			
88531	3/8NCx3 GR5 Bolt .....	46			
88550	1/4NF Grease Fitting .....	26, 27, 28, 29			
88553	3/8NCx1-1/2 GR5 Bolt .....				
	..... 3, 4, 6, 8, 9, 14, 16, 18, 52, 53				
88566	3/8NCx3/4 GR5 Bolt .....	55			
88574	1/2Ncx5-1/2 GR5 Bolt .....	58			
88582	3/8NCx2-3/4 GR5 Bolt .....	26, 27, 28, 29			
88599	Plow Bolt 7/16NCx1-1/2 GR5 .....	59			
88602	1-1/4 Flat Washer .....	3, 5, 7, 15, 17, 19			
88604	3/4NCx2 GR5 Bolt .....	69			
88622	1-1/4NC Jam Nut .....				
	4, 5, 6, 7, 8, 9, 10, 14, 15, 16, 17, 18, 19				
88628	Roll Pin .....	28			
88632	Plow Bolt 7/16NCx1-3/4 GR5 .....	59			
88648	1/4x1-1/4 Roll Pin .....	28, 29			

# WARRANTY

The only warranty Wil-Rich gives and the only warranty the dealer is authorized to give is as follows:

We warrant products sold by us to be in accordance with our published specifications or those specifications agreed to by us in writing at time of sale. Our obligation and liability under this warranty is expressly limited to repairing, or replacing, at our option, within 12 months after date of retail delivery, any product not meeting the specifications. *We make no other warranty, express or implied and make no warranty of merchantability or of fitness for any particular purpose.* Our obligation under the warranty shall not include any transportation charges or costs or installation or any liability for direct, indirect or consequential damage or delay. If requested by us, products or parts for which a warranty claim is made are to be returned transportation prepaid to our factory. Any improper use, operation beyond rated capacity, substitution of parts not approved by us, or any alteration or repair by others in such manner as in our judgment affects the product materially and adversely shall void this warranty. *No employee or representative is authorized to change this warranty in any way or grant any other warranty.*

Wil-Rich reserves the right to make improvement changes on any of our products without notice.

*When warranty limited or not applicable:* Warranty on hoses, cylinders, hubs, spindles, engines, valves, pumps or other trade accessories are limited to the warranties made by the respective manufacturers of these components. Rubber tires and tubes are warranted directly by the respective tire manufacturer only, and not by Wil-Rich.

Warranty does not apply to any machine or part which has been repaired or altered in any way so as in the our judgment to affect its reliability, or which has been subject to misuse, negligence or accident.

*A Warranty Validation and Delivery Report Form must be filled out and received by Wil-Rich to initiate the warranty coverage.*

## WARRANTY CLAIMS PROCEDURE

1. The warranty form must be returned to Wil-Rich within fifteen (15) working days from the repair date.
2. Parts returned to Wil-Rich without authorization will be refused. The parts must be retained at the dealership for ninety (90) days after the claim has been filed. If the Service Department would like to inspect the parts, a packing slip will be mailed to the dealer. The packing slip must be returned with the parts. The parts must be returned prepaid within thirty (30) days of receiving authorization. After the parts are inspected and warranty is verified, credit for the return freight will be issued to the dealer.
3. Parts that will be scrapped at the dealership will be inspected by a Wil-Rich Sales Representative, District Sales Manager or Service Representative within the ninety (90) day retaining period.