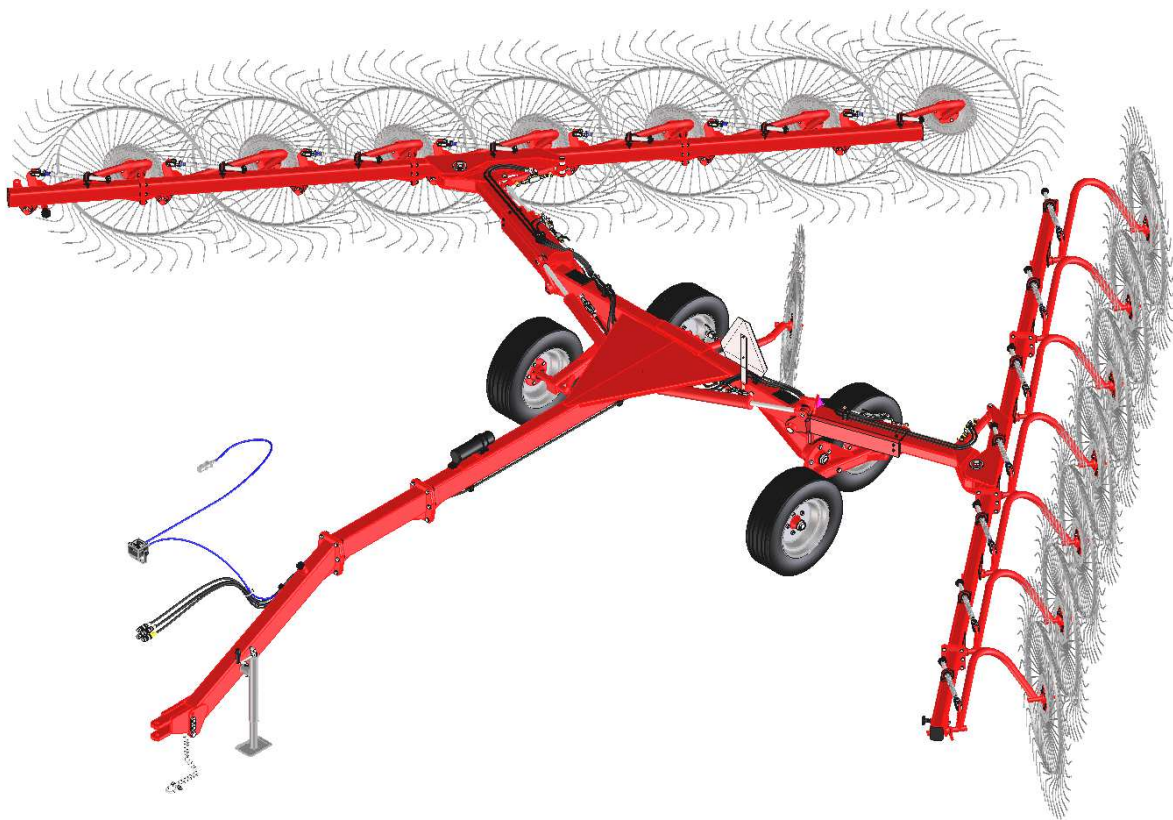


AGRICULTURAL MACHINERY

sitrex®
Spa

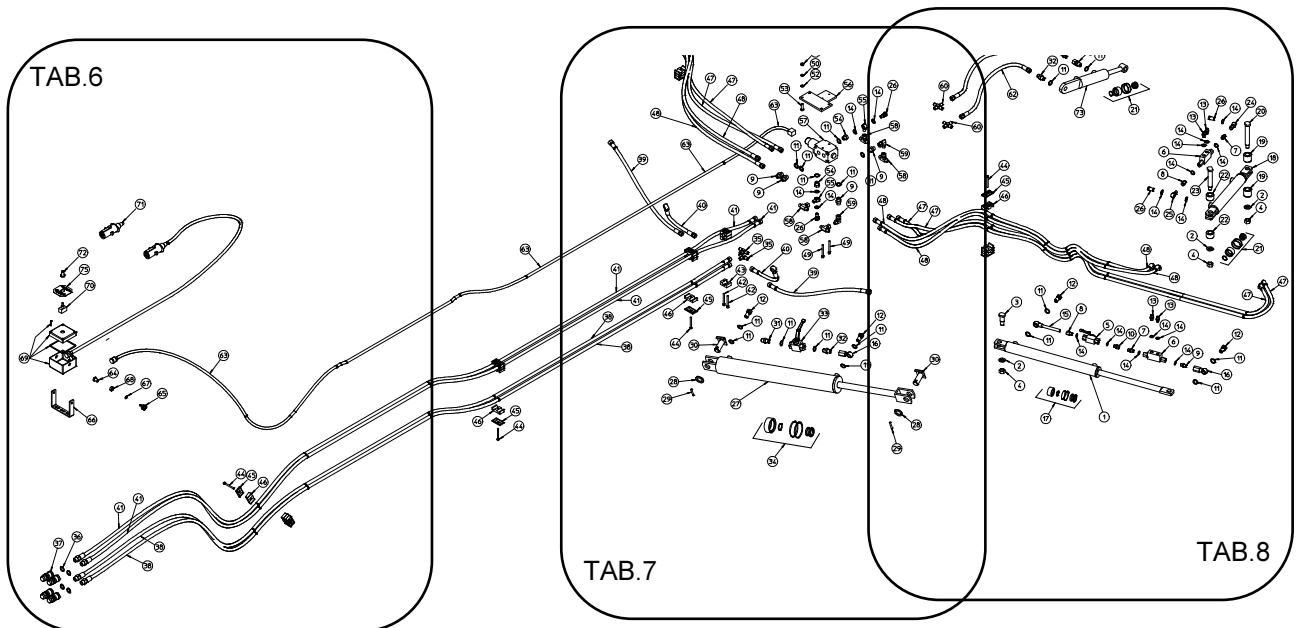
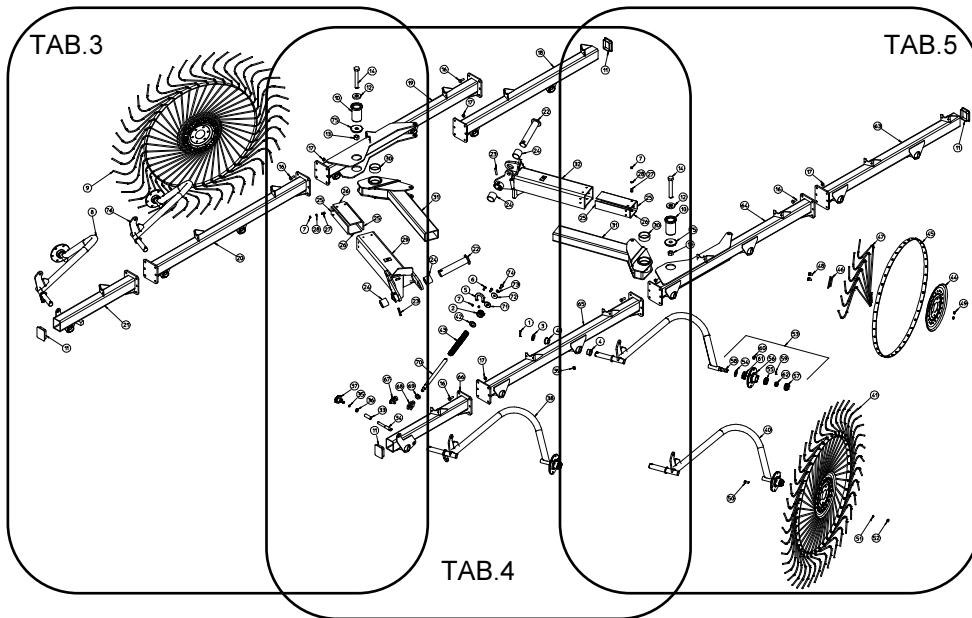
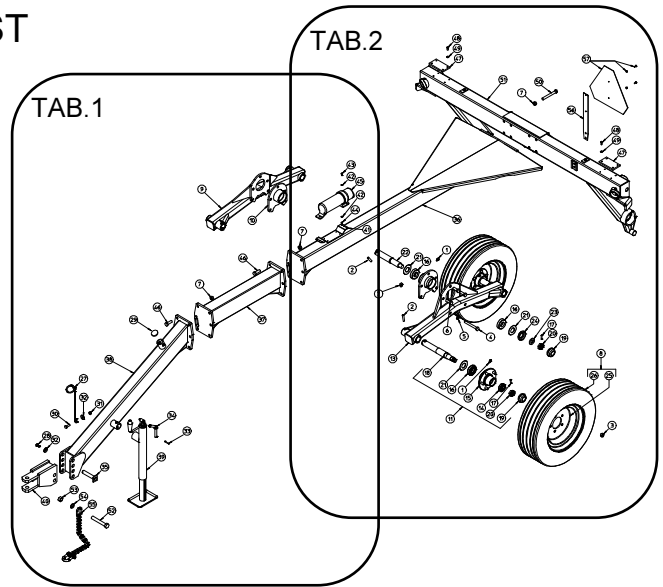
SPARE PARTS LIST



QRX 12/14

SECTION 1 SPARE PARTS LIST

Order spare parts with the serial number of the machine.



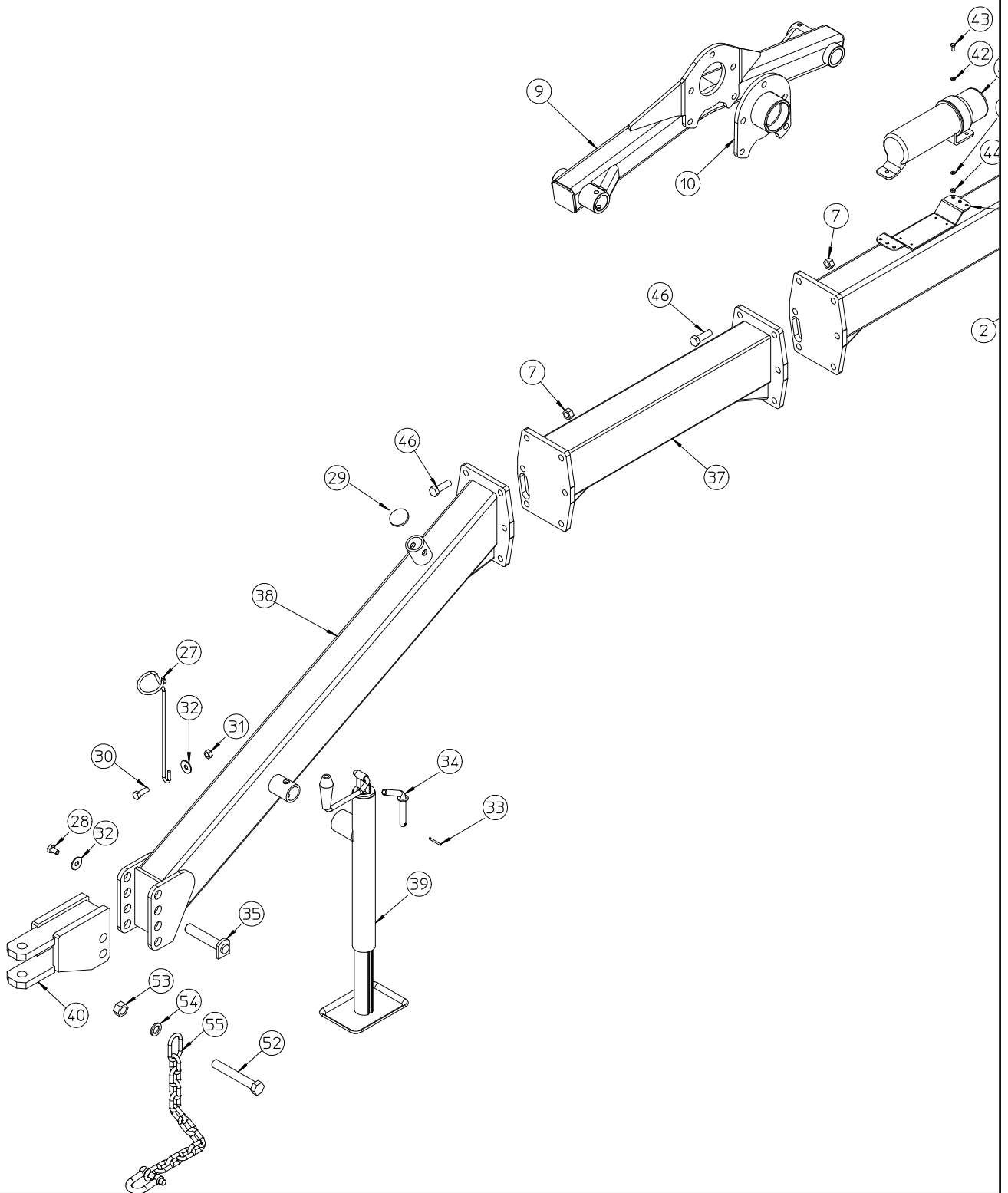


TABLE 920.401 FRAME

Pos.	Part No.	Description	Pos.	Part No.	Description
1	600.034	GREASE NIPPLE M8	30	600.616	SCREW M12x35 DIN 933 8.8
2	640.065	SPRING PIN \varnothing 12x60 DIN7344-ISO8748	31	600.077	NUT M12 DIN 980
3	600.289	NUT M16x1,5	32	600.092	WASHER \varnothing 12x36
4	610.698	SCREW M16x130 DIN 931 8.8	33	600.019	SPLIT PIN \varnothing 3
5	600.741	WASHER \varnothing 17 UNI 6592	34	200.222	PIN
6	610.167	SCREW M16x45 DIN 933 8.8	35	200.828	PIN
7	600.080	NUT M16 DIN 980	36	250.717	DRAWBAR
8	600.281	TIRE ASSY	37	250.718	DRAWBAR (QRX14 only)
9	250.710	TANDEM AXLE RH	38	250.719	DRAWBAR
10	250.711	TANDEM HUB RH	39	220.166	PARKING STAND
11	230.431	HUB ASSY	40	250.271	TRACTOR HITCH
12	250.716	TANDEM HUB LH	41	225.195	CANISTER SUPPORT PLATE
13	250.715	TANDEM AXLE LH	42	600.135	WASHER \varnothing 6,6-18x2 UNI 6593
14	600.287	BEARING 30206	43	630.003	SCREW M6x20 DIN 933
15	600.286	HUB	44	600.472	NUT M6 DIN 980
16	600.285	BEARING 30208	45	230.457	CANISTER
17	600.291	SPLIT PIN \varnothing 4x40 DIN 94 3.6	46	600.176	SCREW M16x50 DIN 931 8.8
18	225.839	HUB PIN	47	230.506	BLOCK
19	600.290	CAP	48	600.223	SCREW M8x20 DIN 933 8.8
20	600.288	LOCKING NUT M27x1,5	49	610.185	WASHER \varnothing 9-21x2 UNI 6593
21	600.284	DUST COVER	50	600.595	SCREW M16x140 DIN 931 8.8
22	250.714	PIN	51	250.721	FRAME
23	250.713	WASHER	52	620.019	SCREW M22x150 DIN 931 8.8
24	250.712	SPACER	53	600.200	NUT M22 DIN 934
25	600.304	RIM	54	600.214	SPRING WASHER \varnothing 23 DIN 125A
26	600.303	TIRE	55	220.500	SAFETY CHAIN
27	110.105	SUPPORT	56	220.413	PANEL SUPPORT (USA HighWay Code)
28	600.770	SCREW M12x20 DIN 933 8.8	57	220.414	TRANSPORT PANEL (USA HighWay Code)
29	610.790	PLUG	58	600.896	PLUG

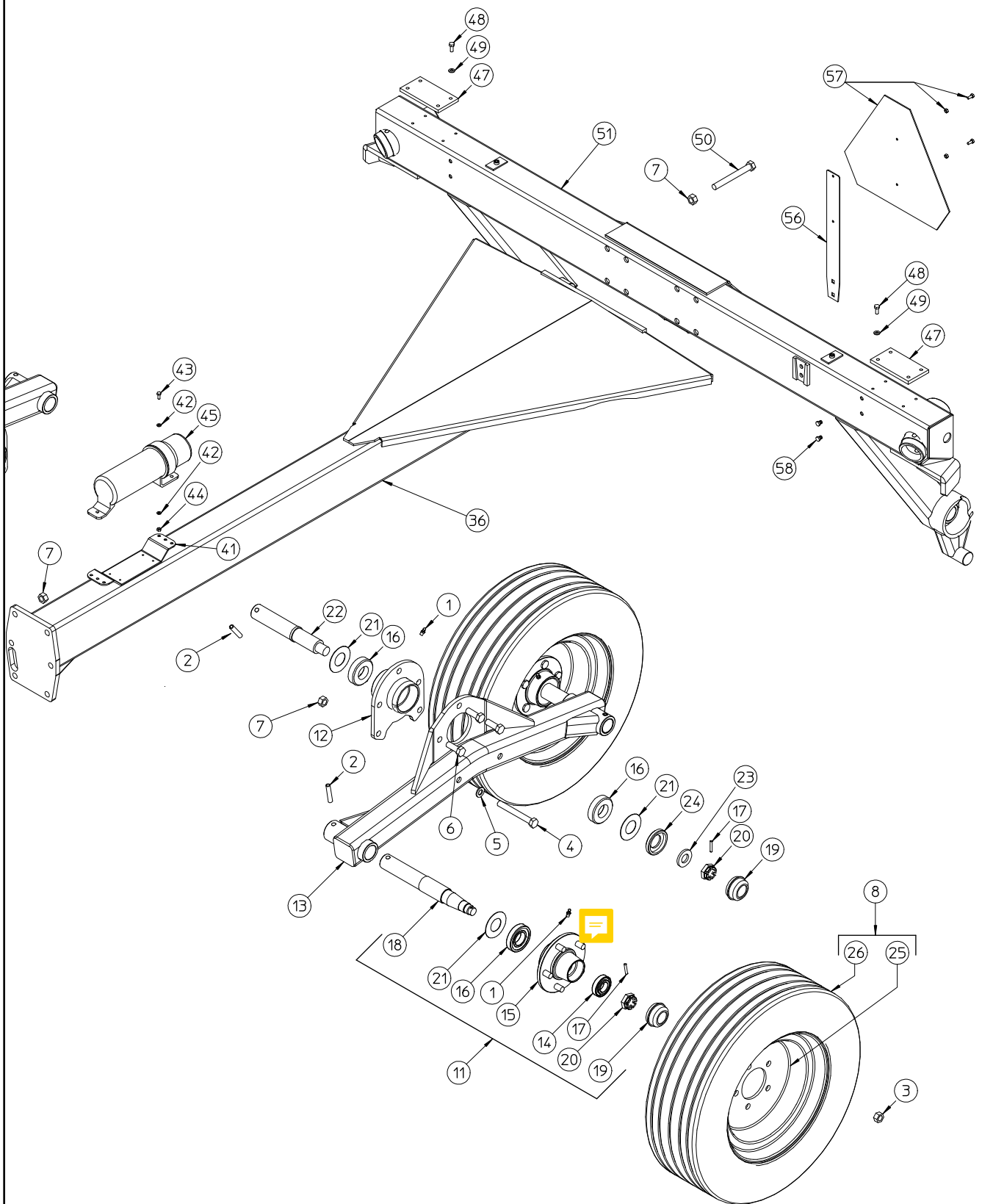


TABLE 920.401 FRAME

Pos.	Part No.	Description	Pos.	Part No.	Description
1	600.034	GREASE NIPPLE M8	30	600.616	SCREW M12x35 DIN 933 8.8
2	640.065	SPRING PIN \varnothing 12x60 DIN7344-ISO8748	31	600.077	NUT M12 DIN 980
3	600.289	NUT M16x1,5	32	600.092	WASHER \varnothing 12x36
4	610.698	SCREW M16x130 DIN 931 8.8	33	600.019	SPLIT PIN \varnothing 3
5	600.741	WASHER \varnothing 17 UNI 6592	34	200.222	PIN
6	610.167	SCREW M16x45 DIN 933 8.8	35	200.828	PIN
7	600.080	NUT M16 DIN 980	36	250.717	DRAWBAR
8	600.281	TIRE ASSY	37	250.718	DRAWBAR (QRX14 only)
9	250.710	TANDEM AXLE RH	38	250.719	DRAWBAR
10	250.711	TANDEM HUB RH	39	220.166	PARKING STAND
11	230.431	HUB ASSY	40	250.271	TRACTOR HITCH
12	250.716	TANDEM HUB LH	41	225.195	CANISTER SUPPORT PLATE
13	250.715	TANDEM AXLE LH	42	600.135	WASHER \varnothing 6,6-18x2 UNI 6593
14	600.287	BEARING 30206	43	630.003	SCREW M6x20 DIN 933
15	600.286	HUB	44	600.472	NUT M6 DIN 980
16	600.285	BEARING 30208	45	230.457	CANISTER
17	600.291	SPLIT PIN \varnothing 4x40 DIN 94 3.6	46	600.176	SCREW M16x50 DIN 931 8.8
18	225.839	HUB PIN	47	230.506	BLOCK
19	600.290	CAP	48	600.223	SCREW M8x20 DIN 933 8.8
20	600.288	LOCKING NUT M27x1,5	49	610.185	WASHER \varnothing 9-21x2 UNI 6593
21	600.284	DUST COVER	50	600.595	SCREW M16x140 DIN 931 8.8
22	250.714	PIN	51	250.721	FRAME
23	250.713	WASHER	52	620.019	SCREW M22x150 DIN 931 8.8
24	250.712	SPACER	53	600.200	NUT M22 DIN 934
25	600.304	RIM	54	600.214	SPRING WASHER \varnothing 23 DIN 125A
26	600.303	TIRE	55	220.500	SAFETY CHAIN
27	110.105	SUPPORT	56	220.413	PANEL SUPPORT (USA HighWay Code)
28	600.770	SCREW M12x20 DIN 933 8.8	57	220.414	TRANSPORT PANEL (USA HighWay Code)
29	610.790	PLUG	58	600.896	PLUG

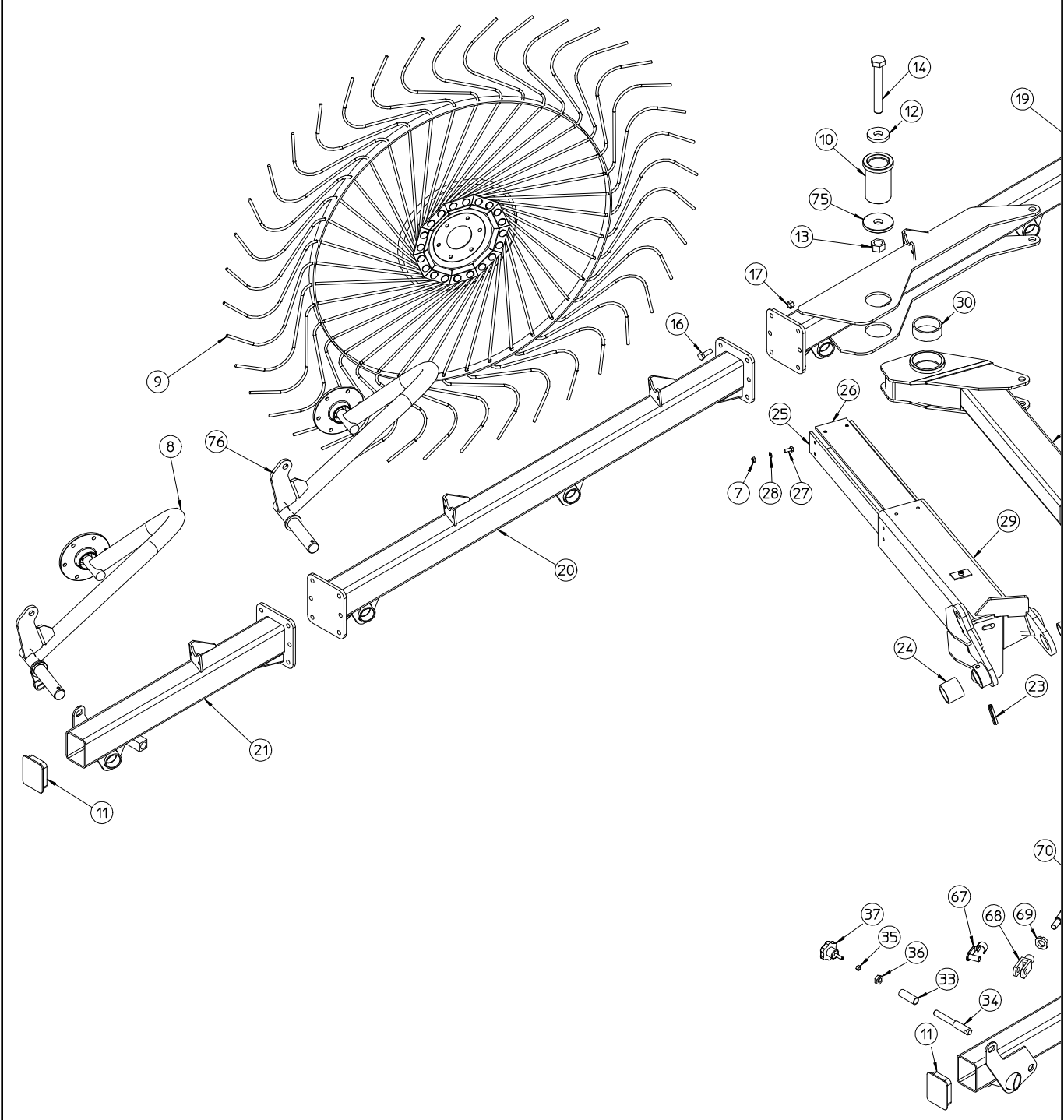


TABLE 920.402 RAKE ARMS

Pos.	Part No.	Description	Pos.	Part No.	Description
1	600.027	SPRING PIN ø8x50	41	210.181	WHEEL ASSY 55", LH (ø7mm)
2	230.659	BUSH		230.280	WHEEL ASSY 60", LH (OPTIONAL)
3	200.028	WASHER ø35,5-50x5	42	230.661	WASHER ø26-55x5
4	200.029	BUSH	43	230.965	SPRING ø4mm
5	230.664	SUPPORT	44	200.010	FLANGE, WHEEL 55"
6	600.702	SCREW M8x25 DIN 933 8.8		230.338	FLANGE, WHEEL 60" (OPTIONAL)
7	600.076	NUT M8 DIN 980	45	200.009	RIM, WHEEL 55"
8	250.735	WHEEL ARM SPECIAL, RH		230.326	RIM, WHEEL 60" (OPTIONAL)
9	210.180	WHEEL ASSY 55", RH (ø7mm)	46	200.012	TINE CLAMP
	230.279	WHEEL ASSY 60", RH (OPTIONAL)	47	210.621	TINE ø0,276" (7mm), WHEEL 55"
10	250.699	PIN		230.327	TINE ø0,295" (7,5mm), WHEEL 60" (OPTIONAL)
11	640.108	PLUG	48	600.005	SCREW M10x25 DIN 603
12	230.668	WASHER ø25-64x10	49	600.029	NUT M10 DIN 980
13	620.255	NUT M24 DIN 980	50	600.006	SCREW M10x25 DIN 933 8.8
14	640.114	SCREW M24x170 DIN 931 8.8	51	600.024	SPRING WASHER ø10,5 DIN 125A
15	230.667	WASHER ø25-90x10	52	600.010	NUT M10 DIN 934
16	600.616	SCREW M12x35 DIN 933 8.8	53	205.041	HUB ASSY
17	600.077	NUT M12 DIN 980	54	600.011	DUST COVER
18	250.697	REAR SECTION, RH	55	600.014	BEARING 30204
19	250.696	CENTRAL SECTION, RH	56	600.013	WHEEL HUB
20	250.695	FRONT SECTION, RH	57	600.016	SAFETY CAP
21	250.698	EXTENSION SECTION, RH (QRX14 only)	58	205.277	PIN
22	230.319	PIN	59	600.301	SPLIT PIN ø3x30 DIN 94
23	600.656	SPRING PIN ø12x70 DIN 1481	60	600.034	GREASE NIPPLE M8
24	200.199	BUSH	61	600.012	BEARING 30205
25	250.725	NYLON PLATE	62	600.015	LOCKING NUT M18x1,5
26	250.727	NYLON PLATE	63	250.702	REAR SECTION, LH
27	630.136	SCREW M8x25 DIN 7991A	64	250.701	CENTRAL SECTION, LH
28	610.185	WASHER ø9-21x2 UNI 6593	65	250.700	FRONT SECTION, LH
29	250.728	ARM EXTERNAL, RH	66	250.703	EXTENSION SECTION, LH (QRX14 only)
30	230.666	BUSH	67	630.586	PIN
31	250.730	ARM INTERNAL	68	630.375	FORK M16
32	250.729	ARM EXTERNAL, LH	69	230.729	NUT M22
33	230.716	SPRING	70	230.658	ROD
34	230.712	PIN	71	230.662	WASHER ø23-50x8
35	600.037	NUT M8 DIN 934	72	230.709	WASHER ø13-50x4
36	600.082	NUT M16 DIN 936	73	600.018	SPRING WASHER ø13 DIN 125A
37	630.571	KNOB	74	600.441	SCREW M12x25 DIN 933 8.8
38	250.734	WHEEL ARM SPECIAL, LH	75	230.667	WASHER ø25-90x10
39	600.124	GREASE NIPPLE M6	76	250.694	WHEEL ARM, RH
40	250.693	WHEEL ARM, LH	77	260.070	PLATE SHIM
			78	640.259	SCREW M8x30 DIN 7991A

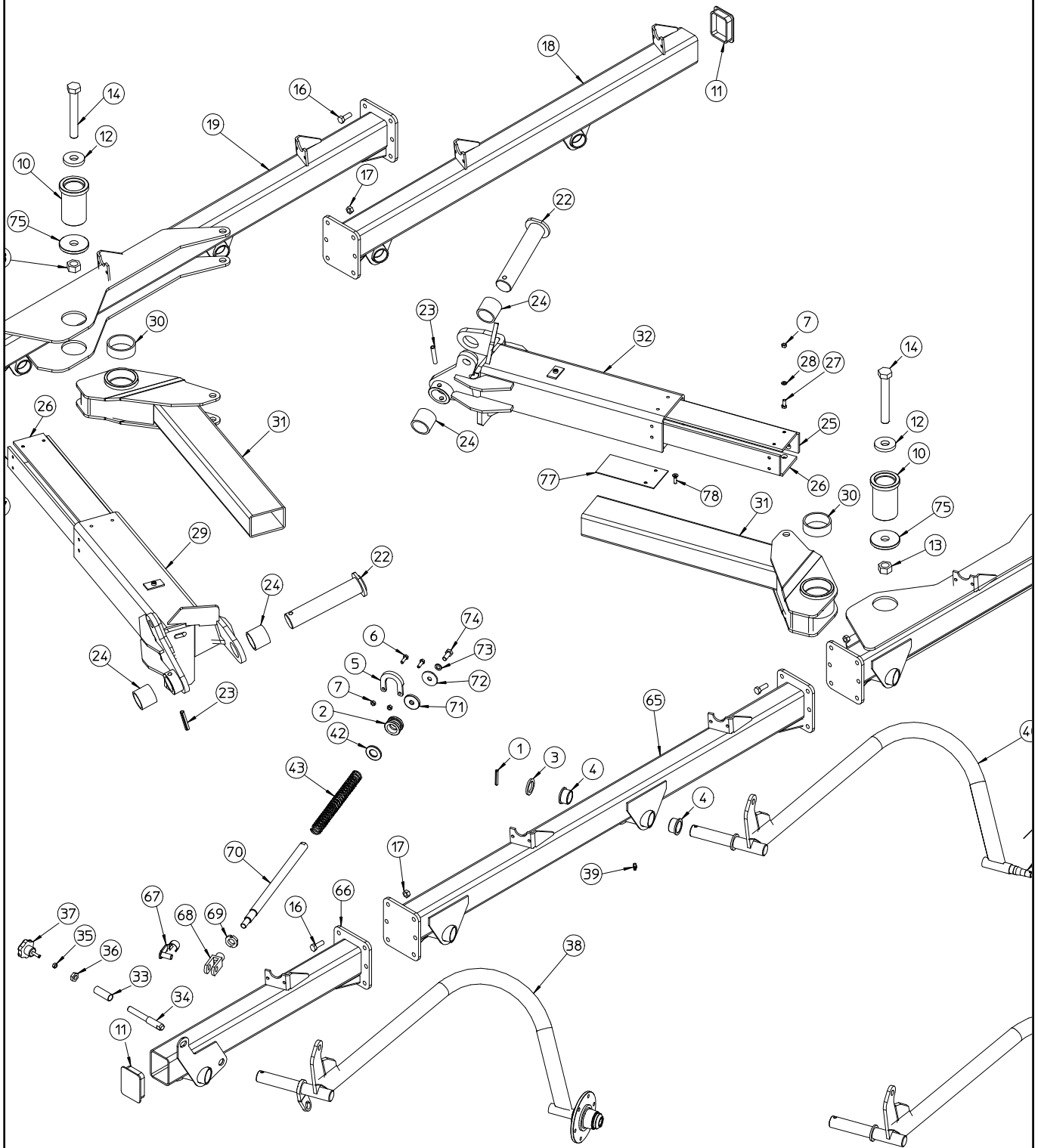


TABLE 920.402 RAKE ARMS

Pos.	Part No.	Description	Pos.	Part No.	Description
1	600.027	SPRING PIN \varnothing 8x50	41	210.181	WHEEL ASSY 55", LH (\varnothing 7mm)
2	230.659	BUSH		230.280	WHEEL ASSY 60", LH (OPTIONAL)
3	200.028	WASHER \varnothing 35,5-50x5	42	230.661	WASHER \varnothing 26-55x5
4	200.029	BUSH	43	230.965	SPRING \varnothing 4mm
5	230.664	SUPPORT	44	200.010	FLANGE, WHEEL 55"
6	600.702	SCREW M8x25 DIN 933 8.8		230.338	FLANGE, WHEEL 60" (OPTIONAL)
7	600.076	NUT M8 DIN 980	45	200.009	RIM, WHEEL 55"
8	250.735	WHEEL ARM SPECIAL, RH		230.326	RIM, WHEEL 60" (OPTIONAL)
9	210.180	WHEEL ASSY 55", RH (\varnothing 7mm)	46	200.012	TINE CLAMP
	230.279	WHEEL ASSY 60", RH (OPTIONAL)	47	210.621	TINE \varnothing 0,276" (7mm), WHEEL 55"
10	250.699	PIN		230.327	TINE \varnothing 0,295" (7,5mm), WHEEL 60" (OPTIONAL)
11	640.108	PLUG	48	600.005	SCREW M10x25 DIN 603
12	230.668	WASHER \varnothing 25-64x10	49	600.029	NUT M10 DIN 980
13	620.255	NUT M24 DIN 980	50	600.006	SCREW M10x25 DIN 933 8.8
14	640.114	SCREW M24x170 DIN 931 8.8	51	600.024	SPRING WASHER \varnothing 10,5 DIN 125A
15	230.667	WASHER \varnothing 25-90x10	52	600.010	NUT M10 DIN 934
16	600.616	SCREW M12x35 DIN 933 8.8	53	205.041	HUB ASSY
17	600.077	NUT M12 DIN 980	54	600.011	DUST COVER
18	250.697	REAR SECTION, RH	55	600.014	BEARING 30204
19	250.696	CENTRAL SECTION, RH	56	600.013	WHEEL HUB
20	250.695	FRONT SECTION, RH	57	600.016	SAFETY CAP
21	250.698	EXTENSION SECTION, RH (QRX14 only)	58	205.277	PIN
22	230.319	PIN	59	600.301	SPLIT PIN \varnothing 3x30 DIN 94
23	600.656	SPRING PIN \varnothing 12x70 DIN 1481	60	600.034	GREASE NIPPLE M8
24	200.199	BUSH	61	600.012	BEARING 30205
25	250.725	NYLON PLATE	62	600.015	LOCKING NUT M18x1,5
26	250.727	NYLON PLATE	63	250.702	REAR SECTION, LH
27	630.136	SCREW M8x25 DIN 7991A	64	250.701	CENTRAL SECTION, LH
28	610.185	WASHER \varnothing 9-21x2 UNI 6593	65	250.700	FRONT SECTION, LH
29	250.728	ARM EXTERNAL, RH	66	250.703	EXTENSION SECTION, LH (QRX14 only)
30	230.666	BUSH	67	630.586	PIN
31	250.730	ARM INTERNAL	68	630.375	FORK M16
32	250.729	ARM EXTERNAL, LH	69	230.729	NUT M22
33	230.716	SPRING	70	230.658	ROD
34	230.712	PIN	71	230.662	WASHER \varnothing 23-50x8
35	600.037	NUT M8 DIN 934	72	230.709	WASHER \varnothing 13-50x4
36	600.082	NUT M16 DIN 936	73	600.018	SPRING WASHER \varnothing 13 DIN 125A
37	630.571	KNOB	74	600.441	SCREW M12x25 DIN 933 8.8
38	250.734	WHEEL ARM SPECIAL, LH	75	230.667	WASHER \varnothing 25-90x10
39	600.124	GREASE NIPPLE M6	76	250.694	WHEEL ARM, RH
40	250.693	WHEEL ARM, LH	77	260.070	PLATE SHIM
			78	640.259	SCREW M8x30 DIN 7991A

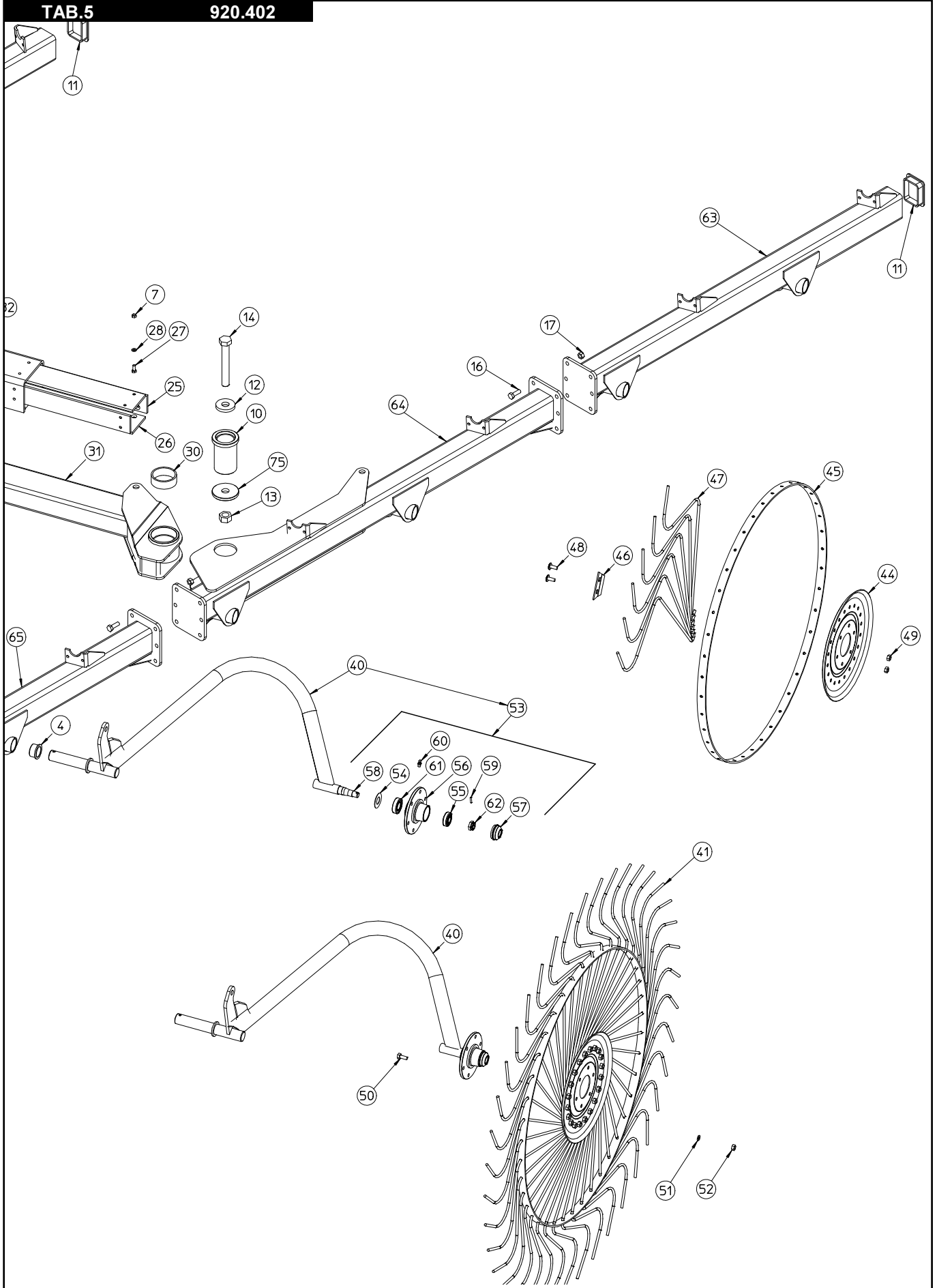


TABLE 920.402 RAKE ARMS

Pos.	Part No.	Description	Pos.	Part No.	Description
1	600.027	SPRING PIN \varnothing 8x50	41	210.181	WHEEL ASSY 55", LH (\varnothing 7mm)
2	230.659	BUSH		230.280	WHEEL ASSY 60", LH (OPTIONAL)
3	200.028	WASHER \varnothing 35,5-50x5	42	230.661	WASHER \varnothing 26-55x5
4	200.029	BUSH	43	230.965	SPRING \varnothing 4mm
5	230.664	SUPPORT	44	200.010	FLANGE, WHEEL 55"
6	600.702	SCREW M8x25 DIN 933 8.8		230.338	FLANGE, WHEEL 60" (OPTIONAL)
7	600.076	NUT M8 DIN 980	45	200.009	RIM, WHEEL 55"
8	250.735	WHEEL ARM SPECIAL, RH		230.326	RIM, WHEEL 60" (OPTIONAL)
9	210.180	WHEEL ASSY 55", RH (\varnothing 7mm)	46	200.012	TINE CLAMP
	230.279	WHEEL ASSY 60", RH (OPTIONAL)	47	210.621	TINE \varnothing 0,276" (7mm), WHEEL 55"
10	250.699	PIN		230.327	TINE \varnothing 0,295" (7,5mm), WHEEL 60" (OPTIONAL)
11	640.108	PLUG	48	600.005	SCREW M10x25 DIN 603
12	230.668	WASHER \varnothing 25-64x10	49	600.029	NUT M10 DIN 980
13	620.255	NUT M24 DIN 980	50	600.006	SCREW M10x25 DIN 933 8.8
14	640.114	SCREW M24x170 DIN 931 8.8	51	600.024	SPRING WASHER \varnothing 10,5 DIN 125A
15	230.667	WASHER \varnothing 25-90x10	52	600.010	NUT M10 DIN 934
16	600.616	SCREW M12x35 DIN 933 8.8	53	205.041	HUB ASSY
17	600.077	NUT M12 DIN 980	54	600.011	DUST COVER
18	250.697	REAR SECTION, RH	55	600.014	BEARING 30204
19	250.696	CENTRAL SECTION, RH	56	600.013	WHEEL HUB
20	250.695	FRONT SECTION, RH	57	600.016	SAFETY CAP
21	250.698	EXTENSION SECTION, RH (QRX14 only)	58	205.277	PIN
22	230.319	PIN	59	600.301	SPLIT PIN \varnothing 3x30 DIN 94
23	600.656	SPRING PIN \varnothing 12x70 DIN 1481	60	600.034	GREASE NIPPLE M8
24	200.199	BUSH	61	600.012	BEARING 30205
25	250.725	NYLON PLATE	62	600.015	LOCKING NUT M18x1,5
26	250.727	NYLON PLATE	63	250.702	REAR SECTION, LH
27	630.136	SCREW M8x25 DIN 7991A	64	250.701	CENTRAL SECTION, LH
28	610.185	WASHER \varnothing 9-21x2 UNI 6593	65	250.700	FRONT SECTION, LH
29	250.728	ARM EXTERNAL, RH	66	250.703	EXTENSION SECTION, LH (QRX14 only)
30	230.666	BUSH	67	630.586	PIN
31	250.730	ARM INTERNAL	68	630.375	FORK M16
32	250.729	ARM EXTERNAL, LH	69	230.729	NUT M22
33	230.716	SPRING	70	230.658	ROD
34	230.712	PIN	71	230.662	WASHER \varnothing 23-50x8
35	600.037	NUT M8 DIN 934	72	230.709	WASHER \varnothing 13-50x4
36	600.082	NUT M16 DIN 936	73	600.018	SPRING WASHER \varnothing 13 DIN 125A
37	630.571	KNOB	74	600.441	SCREW M12x25 DIN 933 8.8
38	250.734	WHEEL ARM SPECIAL, LH	75	230.667	WASHER \varnothing 25-90x10
39	600.124	GREASE NIPPLE M6	76	250.694	WHEEL ARM, RH
40	250.693	WHEEL ARM, LH	77	260.070	PLATE SHIM
			78	640.259	SCREW M8x30 DIN 7991A

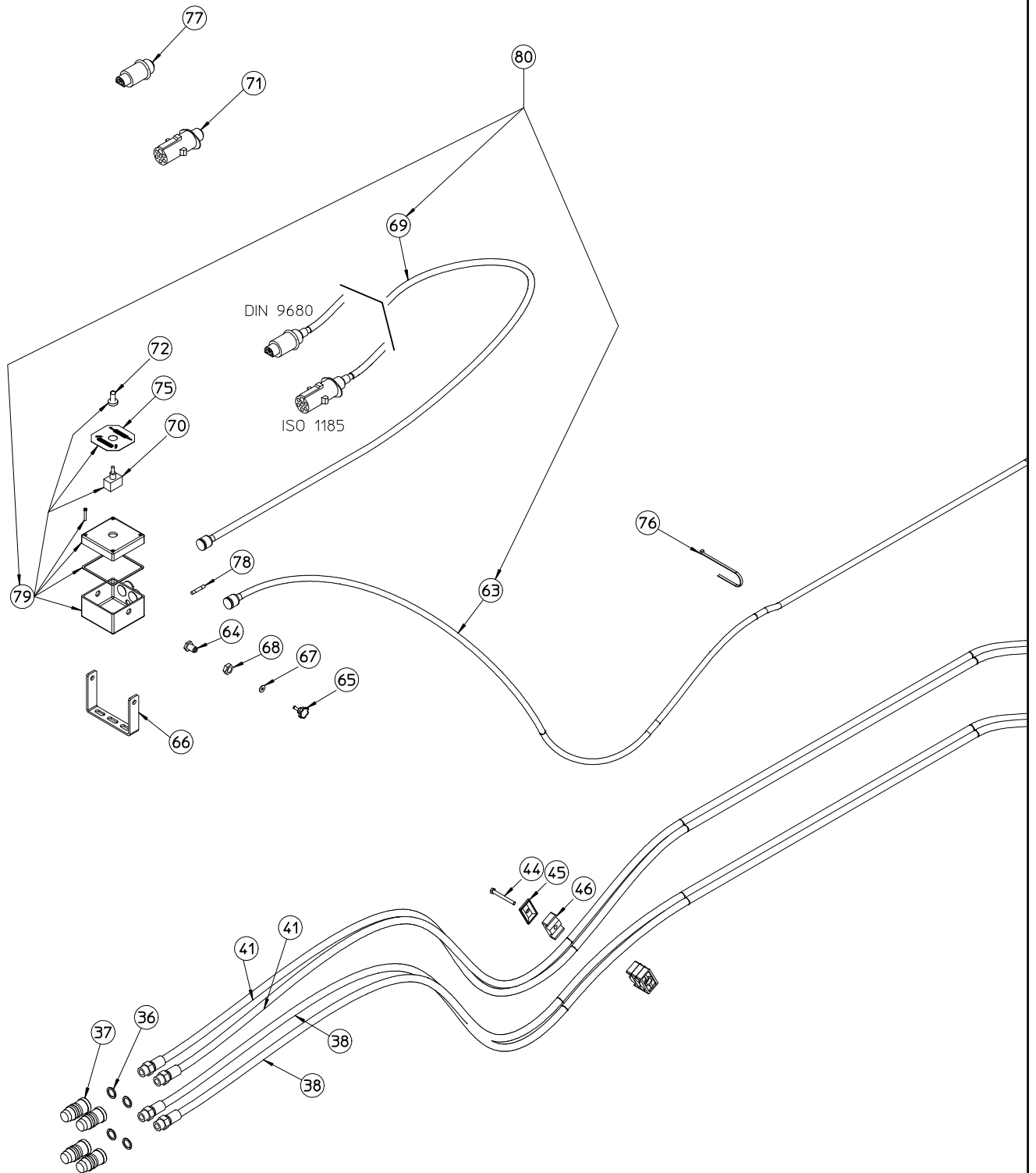


TABLE 920.403 HYDRAULIC SET					
Pos.	Part No.	Description	Pos.	Part No.	Description
1	250.709	EXTENSION CYL. \varnothing 50mm(2")- \varnothing 25mm(1")	39	640.125	HOSE 1/4"
2	600.031	WASHER \varnothing 17 UNI 6592	40	630.623	HOSE 1/4"
3	230.713	PIN	41	630.625	HOSE 1/4" (QRX12 only)
4	600.080	NUT M16 DIN 980	41	640.110	HOSE 1/4" (QRX14 only)
5	620.492	VALVE 1/4" 170 bar	42	610.901	SCREW M6x60 DIN 912 8.8
6	630.333	LOCK VALVE	43	610.035	HOSE COLLAR
7	630.331	NIPPLE 1/4"-1/4" WITH ORIFICE 0,6	44	610.525	SCREW M8x60 DIN 931 8.8
8	630.334	FITTING MALE 1/4" FEMALE \varnothing 12	45	610.164	PLATE
9	600.883	NIPPLE 1/4"-3/8"	46	630.457	HOSE COLLAR \varnothing 16
10	632.362	FITTING MALE 1/4" FEMALE 1/4"	47	640.123	HOSE 1/4"
11	620.452	COPPER WASHER 3/8"	48	640.122	HOSE 1/4"
12	600.040	FITTING SCREW	49	631.360	SCREW M6x50 DIN 912 8.8
13	630.320	NIPPLE 1/4" - 1/4"	50	600.229	SPRING WASHER \varnothing 8,4 DIN 125A
14	630.376	COPPER WASHER 1/4"	51	600.076	NUT M8 DIN 980
15	250.752	HYDRAULIC TUBE \varnothing 12	52	600.115	WASHER \varnothing 8,4 UNI 6592
16	630.315	TURNING FITTING FD-OC	53	600.757	SCREW M8x30 DIN 933 8.8
17	640.127	SET OF GASKET	54	620.462	FITTING 3/8" MALE - 1/4" FEMALE
18	230.383	ANGLING CYL. \varnothing 50mm(2")- \varnothing 20mm(0.8")	55	632.246	FITTING BANJO 1/4" - MALE 1/4"
19	250.707	SPACER	56	250.720	VALVE SUPPORT
20	250.705	PIN	57	640.116	ELECTROVALVE, FLOW SELECTOR
21	630.325	SET OF GASKET	58	600.880	FITTING T 1/4" MALE-FEMALE-MALE
22	230.377	BUSH	59	632.667	FITTING 90° 1/4" MALE - FEMALE 1/4"
23	230.669	PIN	63*	640.170	VALVE CABLE
24	630.332	FITTING BANJO 1/4" - FEMALE 1/4"	64	230.615	PIN
25	630.532	FITTING BANJO 1/4" WITH TUBE	65	630.486	KNOB
26	600.820	FITTING 1/4"	66	250.751	CONTROL BOX SUPPORT
27	250.708	FOLDUP CYL. \varnothing 80mm(3.15")- \varnothing 30(1.18")	67	630.490	WASHER \varnothing 5,3-15x1,6 UNI 6593
28	600.336	WASHER \varnothing 25	68	600.132	NUT M12 DIN 936
29	600.038	SPLIT PIN D6x35 DIN 94 3.6	69	640.209	CABLE 7-PIN ISO1185 (USA)
30	230.368	PIN	69	640.210	CABLE 3-PIN DIN9680
31	600.270	NIPPLE 3/8"- 3/8"	70	640.227	SWITCH
32	200.192	NIPPLE 3/8"- 3/8" OREFICE 0,8	71	630.688	ELECTRICAL PLUG 7-PIN ISO1185 (USA)
33	610.002	VALVE	72	630.517	SWITCH PROTECTION
34	610.340	SET OF GASKET	75	001.790	LABEL
35	600.823	FITTING M-M-M 1/4"	75	001.790	LABEL
36	630.048	COPPER WASHER 1/2"	76	620.039	STRIP
37	600.273	RAPID COUPLING 1/2"	77	634.804	ELECTRICAL PLUG 3-PIN DIN9680
38	630.626	HOSE 1/4" (QRX12 only)	78	640.199	FUSE 5A D.5mm L.20mm
	640.109	HOSE 1/4" (QRX14 only)	79	640.211	CONTROL BOX
80			80	250.743	ELECTRICAL SYSTEM COMPL. ISO1185 (USA)
			80	250.900	ELECTRICAL SYSTEM COMPLETE DIN9680

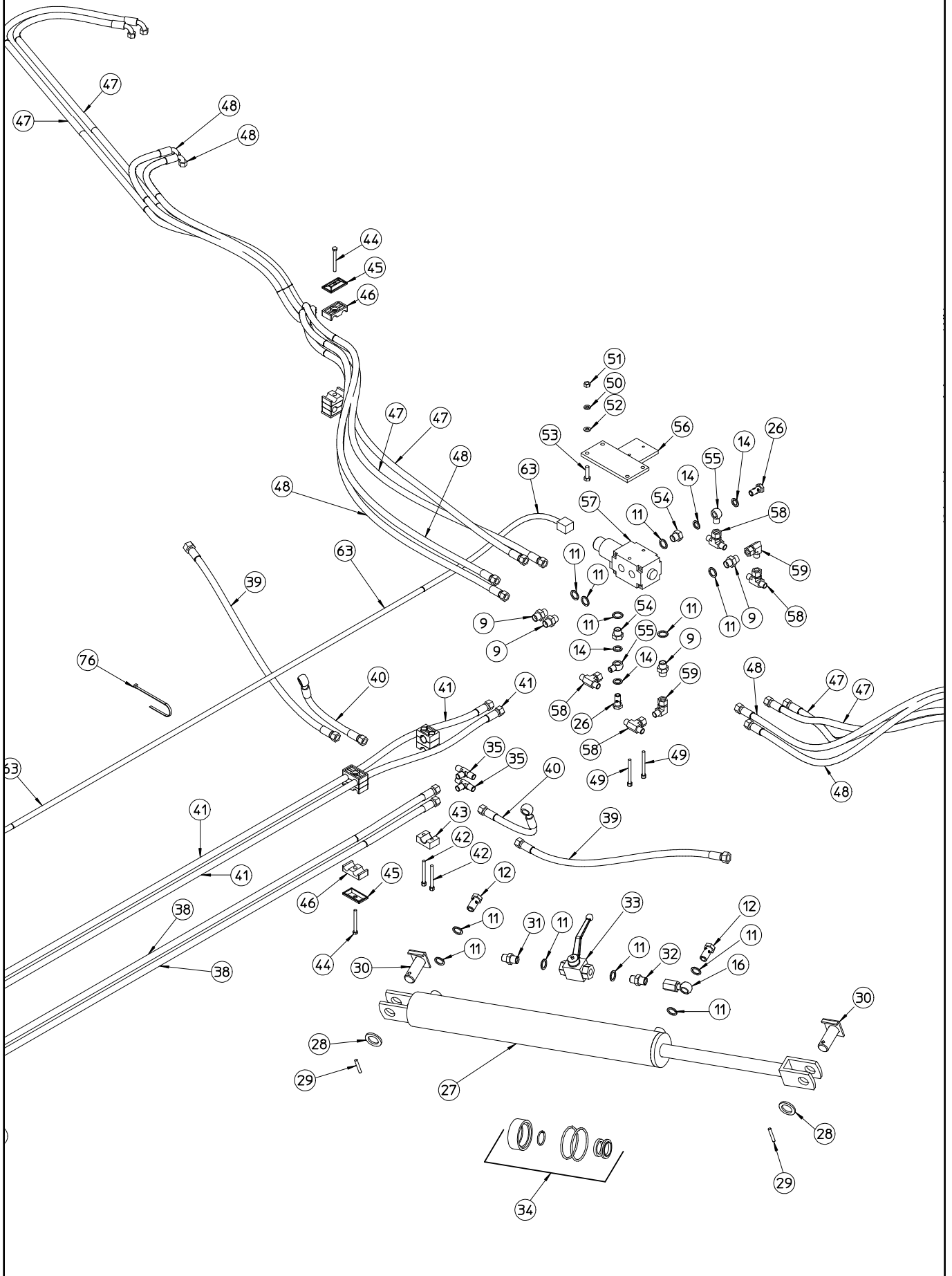
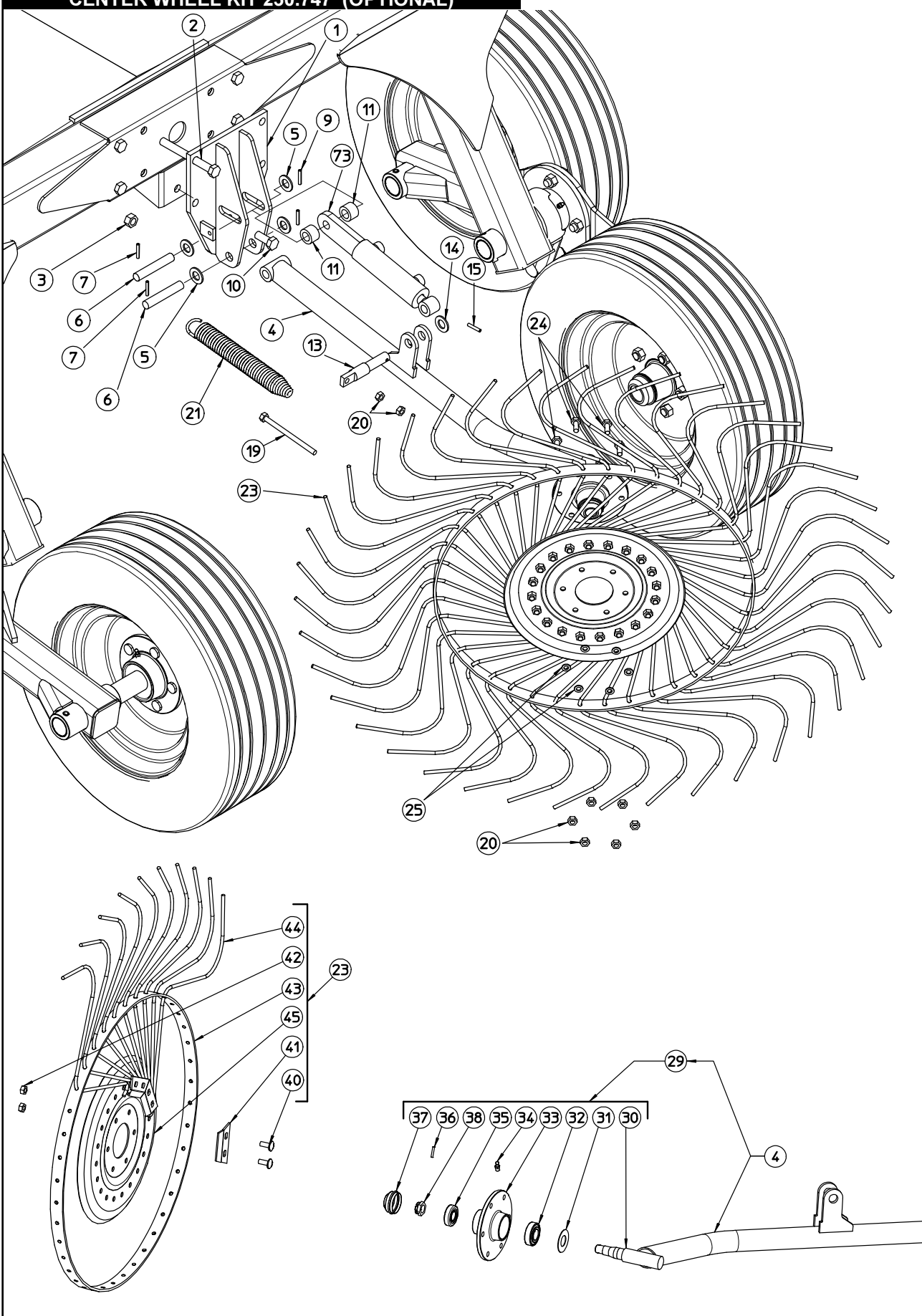


TABLE 920.403 HYDRAULIC SET					
Pos.	Part No.	Description	Pos.	Part No.	Description
1	250.709	EXTENSION CYL. \varnothing 50mm(2")- \varnothing 25mm(1")	39	640.125	HOSE 1/4"
2	600.031	WASHER \varnothing 17 UNI 6592	40	630.623	HOSE 1/4"
3	230.713	PIN	41	630.625	HOSE 1/4" (QRX12 only)
4	600.080	NUT M16 DIN 980	41	640.110	HOSE 1/4" (QRX14 only)
5	620.492	VALVE 1/4" 170 bar	42	610.901	SCREW M6x60 DIN 912 8.8
6	630.333	LOCK VALVE	43	610.035	HOSE COLLAR
7	630.331	NIPPLE 1/4"-1/4" WITH ORIFICE 0,6	44	610.525	SCREW M8x60 DIN 931 8.8
8	630.334	FITTING MALE 1/4" FEMALE \varnothing 12	45	610.164	PLATE
9	600.883	NIPPLE 1/4"-3/8"	46	630.457	HOSE COLLAR \varnothing 16
10	632.362	FITTING MALE 1/4" FEMALE 1/4"	47	640.123	HOSE 1/4"
11	620.452	COPPER WASHER 3/8"	48	640.122	HOSE 1/4"
12	600.040	FITTING SCREW	49	631.360	SCREW M6x50 DIN 912 8.8
13	630.320	NIPPLE 1/4"- 1/4"	50	600.229	SPRING WASHER \varnothing 8,4 DIN 125A
14	630.376	COPPER WASHER 1/4"	51	600.076	NUT M8 DIN 980
15	250.752	HYDRAULIC TUBE \varnothing 12	52	600.115	WASHER \varnothing 8,4 UNI 6592
16	630.315	TURNING FITTING FD-OC	53	600.757	SCREW M8x30 DIN 933 8.8
17	640.127	SET OF GASKET	54	620.462	FITTING 3/8" MALE - 1/4" FEMALE
18	230.383	ANGLING CYL. \varnothing 50mm(2")- \varnothing 20mm(0.8")	55	632.246	FITTING BANJO 1/4" - MALE 1/4"
19	250.707	SPACER	56	250.720	VALVE SUPPORT
20	250.705	PIN	57	640.116	ELECTROVALVE, FLOW SELECTOR
21	630.325	SET OF GASKET	58	600.880	FITTING T 1/4" MALE-FEMALE-MALE
22	230.377	BUSH	59	632.667	FITTING 90° 1/4" MALE - FEMALE 1/4"
23	230.669	PIN	63*	640.170	VALVE CABLE
24	630.332	FITTING BANJO 1/4" - FEMALE 1/4"	64	230.615	PIN
25	630.532	FITTING BANJO 1/4" WITH TUBE	65	630.486	KNOB
26	600.820	FITTING 1/4"	66	250.751	CONTROL BOX SUPPORT
27	250.708	FOLDUP CYL. \varnothing 80mm(3.15")- \varnothing 30(1.18")	67	630.490	WASHER \varnothing 5,3-15x1,6 UNI 6593
28	600.336	WASHER \varnothing 25	68	600.132	NUT M12 DIN 936
29	600.038	SPLIT PIN D6x35 DIN 94 3.6	69	640.209	CABLE 7-PIN ISO1185 (USA)
30	230.368	PIN	69	640.210	CABLE 3-PIN DIN9680
31	600.270	NIPPLE 3/8"- 3/8"	70	640.227	SWITCH
32	200.192	NIPPLE 3/8"- 3/8" OREFICE 0,8	71	630.688	ELECTRICAL PLUG 7-PIN ISO1185 (USA)
33	610.002	VALVE	72	630.517	SWITCH PROTECTION
34	610.340	SET OF GASKET	75	001.790	LABEL
35	600.823	FITTING M-M-M 1/4"	75	001.790	LABEL
36	630.048	COPPER WASHER 1/2"	76	620.039	STRIP
37	600.273	RAPID COUPLING 1/2"	77	634.804	ELECTRICAL PLUG 3-PIN DIN9680
38	630.626	HOSE 1/4" (QRX12 only)	78	640.199	FUSE 5A D.5mm L.20mm
	640.109	HOSE 1/4" (QRX14 only)	79	640.211	CONTROL BOX
			80	250.743	ELECTRICAL SYSTEM COMPL. ISO1185 (USA)
				250.900	ELECTRICAL SYSTEM COMPLETE DIN9680

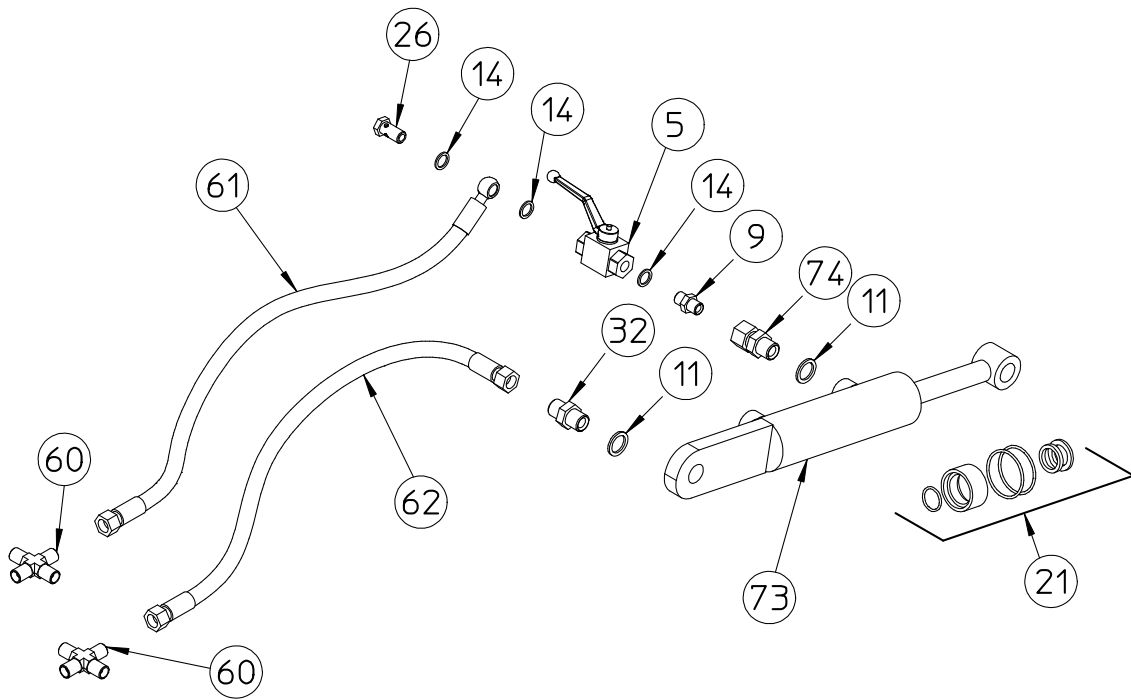
TABLE 920.403 HYDRAULIC SET					
Pos.	Part No.	Description	Pos.	Part No.	Description
1	250.709	EXTENSION CYL. ø50mm(2")-ø25mm(1")	39	640.125	HOSE 1/4"
2	600.031	WASHER ø17 UNI 6592	40	630.623	HOSE 1/4"
3	230.713	PIN	41	630.625	HOSE 1/4" (QRX12 only)
4	600.080	NUT M16 DIN 980	41	640.110	HOSE 1/4" (QRX14 only)
5	620.492	VALVE 1/4" 170 bar	42	610.901	SCREW M6x60 DIN 912 8.8
6	630.333	LOCK VALVE	43	610.035	HOSE COLLAR
7	630.331	NIPPLE 1/4"-1/4" WITH ORIFICE 0,6	44	610.525	SCREW M8x60 DIN 931 8.8
8	630.334	FITTING MALE 1/4" FEMALE ø12	45	610.164	PLATE
9	600.883	NIPPLE 1/4"-3/8"	46	630.457	HOSE COLLAR ø16
10	632.362	FITTING MALE 1/4" FEMALE 1/4"	47	640.123	HOSE 1/4"
11	620.452	COPPER WASHER 3/8"	48	640.122	HOSE 1/4"
12	600.040	FITTING SCREW	49	631.360	SCREW M6x50 DIN 912 8.8
13	630.320	NIPPLE 1/4"- 1/4"	50	600.229	SPRING WASHER ø8,4 DIN 125A
14	630.376	COPPER WASHER 1/4"	51	600.076	NUT M8 DIN 980
15	250.752	HYDRAULIC TUBE ø12	52	600.115	WASHER ø8,4 UNI 6592
16	630.315	TURNING FITTING FD-OC	53	600.757	SCREW M8x30 DIN 933 8.8
17	640.127	SET OF GASKET	54	620.462	FITTING 3/8" MALE - 1/4" FEMALE
18	230.383	ANGLING CYL. ø50mm(2")-ø20mm(0.8")	55	632.246	FITTING BANJO 1/4" - MALE 1/4"
19	250.707	SPACER	56	250.720	VALVE SUPPORT
20	250.705	PIN	57	640.116	ELECTROVALVE, FLOW SELECTOR
21	630.325	SET OF GASKET	58	600.880	FITTING T 1/4" MALE-FEMALE-MALE
22	230.377	BUSH	59	632.667	FITTING 90° 1/4" MALE - FEMALE 1/4"
23	230.669	PIN	63*	640.170	VALVE CABLE
24	630.332	FITTING BANJO 1/4" - FEMALE 1/4"	64	230.615	PIN
25	630.532	FITTING BANJO 1/4" WITH TUBE	65	630.486	KNOB
26	600.820	FITTING 1/4"	66	250.751	CONTROL BOX SUPPORT
27	250.708	FOLDUP CYL. ø80mm(3.15")-ø30(1.18")	67	630.490	WASHER ø5,3-15x1,6 UNI 6593
28	600.336	WASHER ø25	68	600.132	NUT M12 DIN 936
29	600.038	SPLIT PIN D6x35 DIN 94 3.6	69	640.209	CABLE 7-PIN ISO1185 (USA)
30	230.368	PIN	69	640.210	CABLE 3-PIN DIN9680
31	600.270	NIPPLE 3/8"- 3/8"	70	640.227	SWITCH
32	200.192	NIPPLE 3/8"- 3/8" OREFICE 0,8	71	630.688	ELECTRICAL PLUG 7-PIN ISO1185 (USA)
33	610.002	VALVE	72	630.517	SWITCH PROTECTION
34	610.340	SET OF GASKET	75	001.790	LABEL
35	600.823	FITTING M-M-M 1/4"	75	001.790	LABEL
36	630.048	COPPER WASHER 1/2"	76	620.039	STRIP
37	600.273	RAPID COUPLING 1/2"	77	634.804	ELECTRICAL PLUG 3-PIN DIN9680
38	630.626	HOSE 1/4" (QRX12 only)	78	640.199	FUSE 5A D.5mm L.20mm
	640.109	HOSE 1/4" (QRX14 only)	79	640.211	CONTROL BOX
			80	250.743	ELECTRICAL SYSTEM COMPL. ISO1185 (USA)
				250.900	ELECTRICAL SYSTEM COMPLETE DIN9680

CENTER WHEEL KIT 250.747 (OPTIONAL)



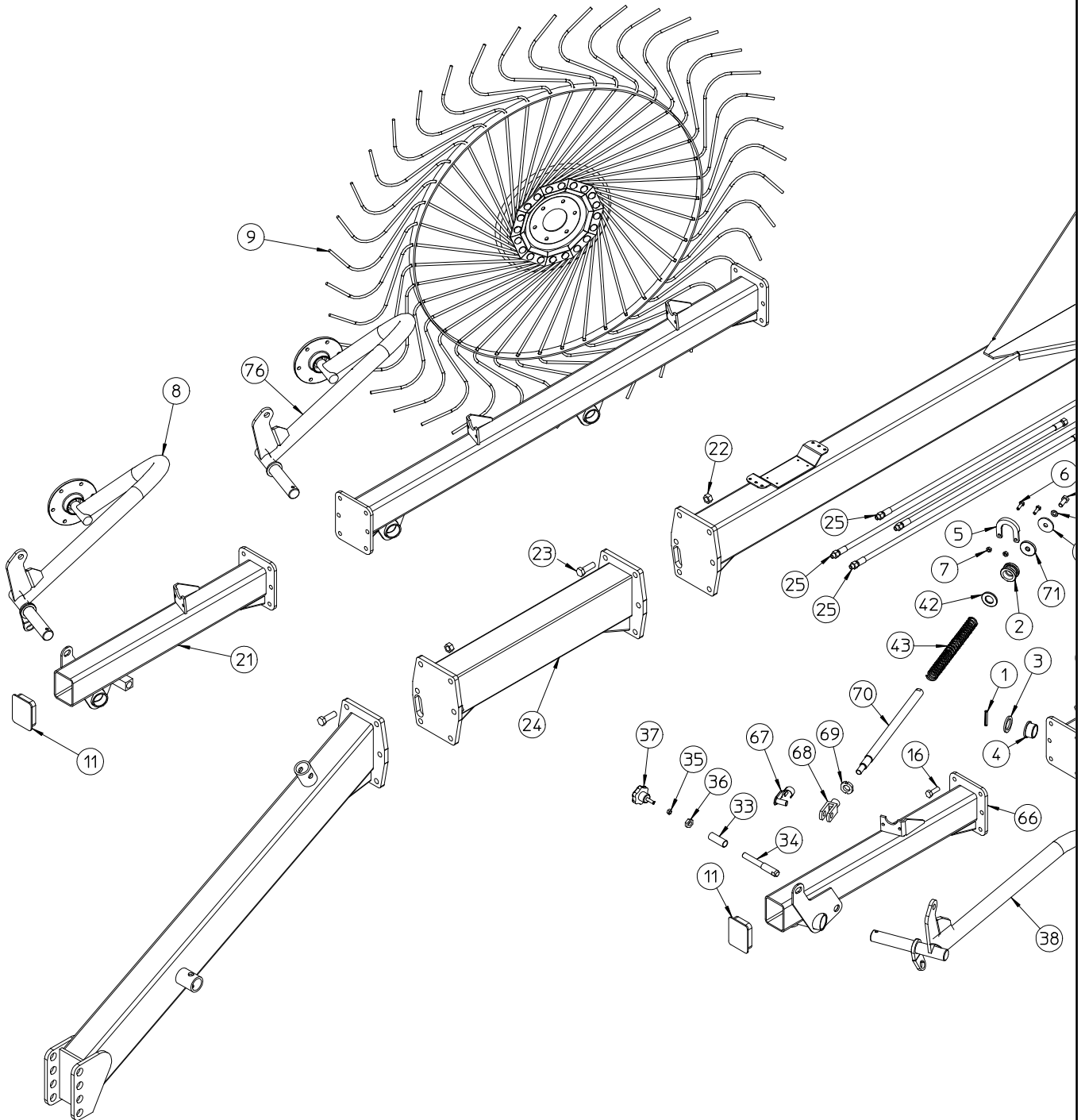
CENTER WHEEL KIT 250.747 (OPTIONAL)				
Pos.	PART. NO	Qty	DESCRIPTION	NOTE
1	250.722	1	SUPPORT	
2	600.219	4	SCREW M16x150 DIN 931	
3	600.080	5	NUT M16 DIN 980	
4	250.723	1	ARM	
5	600.632	5	WASHER \varnothing 21 DIN 125A	
6	230.378	2	PIN	
7	600.538	5	SPING PIN \varnothing 6x35 DIN 1481	
10	600.035	1	SCREW M16x40 DIN 933	
11	230.377	2	SPACER	
13	230.379	1	PIN	
19	210.173	1	TIE ROD	
20	600.010	6	NUT M10 DIN 934	
21	230.376	1	SPRING	
23	200.802	1	WHEEL ASSY L.H. (TINE DIA 0,276" 7mm)	
24	600.006	6	SCREW M10 x 25 DIN 933	
25	600.024	6	SPRING WASHER D 10,5 (DIN 127B)	
29	205.041	1	HUB ASSY	
30	205.277	1	PIN	
31	600.011	1	DUST COVER	
32	600.012	1	BEARING 30205	
33	600.013	1	WHEEL HUB	
34	600.034	1	GREASE NIPPLE M8	
35	600.014	1	BEARING 30204	
36	600.301	1	SPLIT PIN \varnothing 3x30 DIN 94	
37	600.016	1	SAFETY CAP	
38	600.015	1	LOCKING NUT M18x1,5	
40	600.005	20	SCREW M10x25 DIN 603	
41	200.012	10	TINE CLAMP	
42	600.029	20	NUT M10 DIN 980	
43	200.840	1	RIM	
44	200.841	1	TINE DIA 0,276" (7mm)	
45	200.010	1	FLANGE	
73	230.375	1	CYLINDER	

CENTER WHEEL KIT 250.747 (OPTIONAL) HYDRAULIC SET



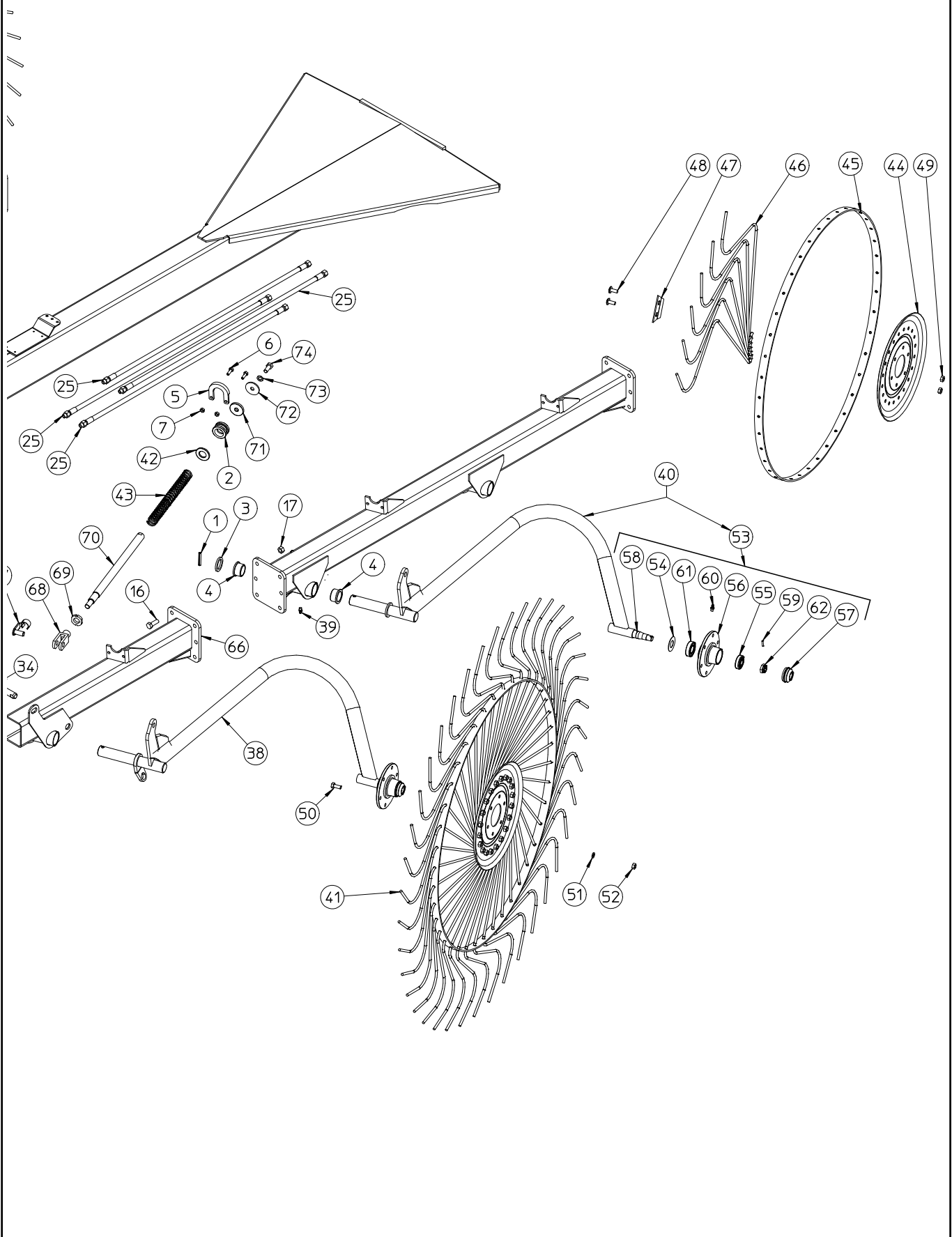
CENTER WHEEL KIT 250.747 (OPTIONAL) HYDRAULIC SET				
Pos.	PART.NO	Qty	DESCRIPTION	NOTE
5	620.492	1	VALVE 1/4" 170 bar	
9	600.883	1	NIPPLE 1/4"-3/8"	
11	620.452	2	COPPER WASHER 3/8"	
14	630.376	3	COPPER WASHER 1/4"	
21	630.325	1	SET OF GASKET	
26	600.820	1	FITTING 1/4"	
32	200.192	1	NIPPLE 3/8"- 3/8" OREFICE 0,8	
60	620.978	2	FITTING CROSS 1/4" MALE	
61	630.632	1	HOSE 1/4"	
62	630.631	1	HOSE 1/4"	
73	230.375	1	CYLINDER	
74	600.271	1	FITTING 3/8" MALE-3/8" FEMALE	

CONVERSION KIT QRX/12 INTO QRX/14
Part No. 250.785 with 55" RAKE WHEELS
Part No. 250.763 with 60" RAKE WHEELS



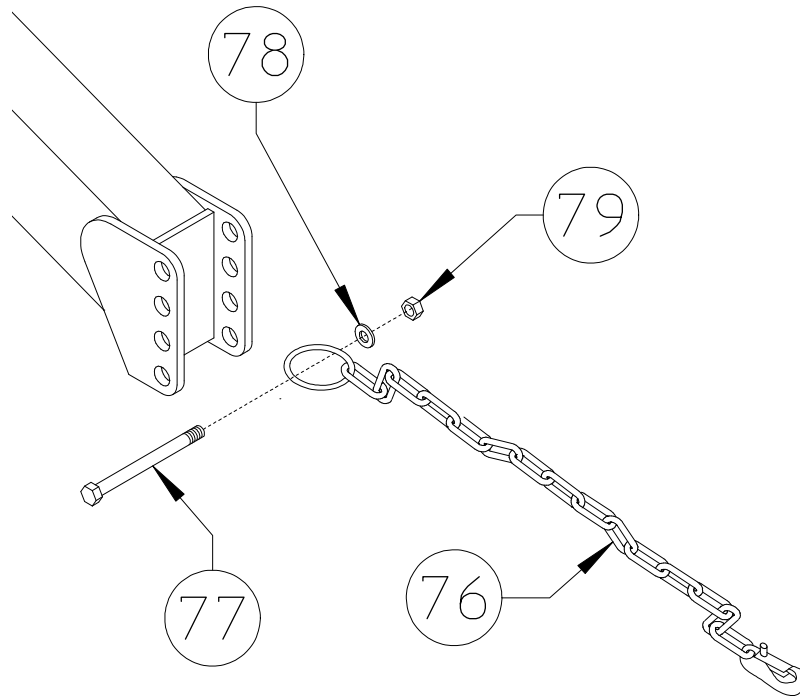
CONVERSION KIT QRX/12 INTO QRX/14 (250.785 with 55" Rake Wheels - 250.763 with 60" Rake Wheels)				
Pos.	Part No.	Qty	Description	NOTE
1	600.027	2	SPRING PIN ø8x50	
2	230.659	2	BUSH	
3	200.028	2	WASHER ø35,5-50x5	
4	200.029	4	BUSH	
5	230.664	2	SUPPORT	
6	600.702	4	SCREW M8x25 DIN 933 8.8	
7	600.076	4	NUT M8 DIN 980	
8	250.735	1	WHEEL ARM SPECIAL, RH	
9	210.180	1	WHEEL ASSY 55", RH	OPTIONAL
	230.279	1	WHEEL ASSY 60", RH	
11	640.108	2	PLUG ()	
16	600.616	12	SCREW M12x35 DIN 933 8.8	
17	600.077	12	NUT M12 DIN 980	
21	250.698	1	EXTENSION SECTION, RH	
22	600.080	6	NUT M16 DIN 980	
23	600.176	6	SCREW M16x50 DIN 931 8.8	
24	250.718	1	DRAWBAR ()	
25	640.124	4	HOSE 1/4" LG. 900mm	
33	230.716	2	SPRING	
34	230.712	2	PIN	
35	600.037	2	NUT M8 DIN 934	
36	600.082	2	NUT M16 DIN 936	
37	630.571	2	KNOB	
38	250.734	1	WHEEL ARM SPECIAL, LH	
39	600.968	2	GREASE NIPPLE M6x45°	
40	250.693	-	WHEEL ARM, LH	
41	210.181	1	WHEEL ASSY 55", LH	OPTIONAL
	230.280	1	WHEEL ASSY 60", LH	
42	230.661	2	WASHER ø26-55x5	
43	230.965	2	SPRING ø4mm	
44	200.010	2	FLANGE, WHEEL 55"	OPTIONAL
	230.338	2	FLANGE, WHEEL 60"	
45	200.009	2	RIM, WHEEL 55"	OPTIONAL
	230.326	2	RIM, WHEEL 60"	
46	200.012	20	TINE CLAMP	
47	210.621	80	TINE ø0,276" (7mm), WHEEL 55"	OPTIONAL
	230.327	80	TINE ø0,295" (7,5mm), WHEEL 60" ()	
48	600.005	40	SCREW M10x25 DIN 603	
49	600.029	40	NUT M10 DIN 980	
50	600.006	12	SCREW M10x25 DIN 933 8.8	
51	600.024	12	SPRING WASHER ø10,5 DIN 125A	
52	600.010	12	NUT M10 DIN 934	
53	205.041	2	HUB ASSY	
54	600.011	2	DUST COVER	
55	600.014	2	BEARING 30204	
56	600.013	2	WHEEL HUB	
57	600.016	2	SAFETY CAP	
58	205.277	2	PIN	
59	600.301	2	SPLIT PIN ø3x30 DIN 94	
60	600.034	2	GREASE NIPPLE M8	
61	600.012	2	BEARING 30205	
62	600.015	2	LOCKING NUT M18x1,5	
66	250.703	1	EXTENSION SECTION, LH	
67	630.586	2	PIN	
68	630.375	2	FORK M16	
69	230.729	2	NUT M22	
70	230.658	2	ROD	
71	230.662	2	WASHER ø23-50x8	
72	230.709	2	WASHER ø13-50x4	
73	600.018	2	SPRING WASHER ø13 DIN 125A	
74	600.441	2	SCREW M12x25 DIN 933 8.8	
76	250.694	-	WHEEL ARM, RH	

CONVERSION KIT QRX/12 INTO QRX/14
Part No. 250.785 with 55" RAKE WHEELS
Part No. 250.763 with 60" RAKE WHEELS

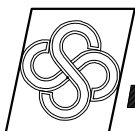


CONVERSION KIT QRX/12 INTO QRX/14 (250.785 with 55" Rake Wheels - 250.763 with 60" Rake Wheels)				
Pos.	Part No.	Qty	Description	NOTE
1	600.027	2	SPRING PIN ø8x50	
2	230.659	2	BUSH	
3	200.028	2	WASHER ø35,5-50x5	
4	200.029	4	BUSH	
5	230.664	2	SUPPORT	
6	600.702	4	SCREW M8x25 DIN 933 8.8	
7	600.076	4	NUT M8 DIN 980	
8	250.735	1	WHEEL ARM SPECIAL, RH	
9	210.180	1	WHEEL ASSY 55", RH	OPTIONAL
	230.279	1	WHEEL ASSY 60", RH	
11	640.108	2	PLUG ()	
16	600.616	12	SCREW M12x35 DIN 933 8.8	
17	600.077	12	NUT M12 DIN 980	
21	250.698	1	EXTENSION SECTION, RH	
22	600.080	6	NUT M16 DIN 980	
23	600.176	6	SCREW M16x50 DIN 931 8.8	
24	250.718	1	DRAWBAR ()	
25	640.124	4	HOSE 1/4" LG. 900mm	
33	230.716	2	SPRING	
34	230.712	2	PIN	
35	600.037	2	NUT M8 DIN 934	
36	600.082	2	NUT M16 DIN 936	
37	630.571	2	KNOB	
38	250.734	1	WHEEL ARM SPECIAL, LH	
39	600.968	2	GREASE NIPPLE M6x45°	
40	250.693	-	WHEEL ARM, LH	
41	210.181	1	WHEEL ASSY 55", LH	OPTIONAL
	230.280	1	WHEEL ASSY 60", LH	
42	230.661	2	WASHER ø26-55x5	
43	230.965	2	SPRING ø4mm	
44	200.010	2	FLANGE, WHEEL 55"	OPTIONAL
	230.338	2	FLANGE, WHEEL 60"	
45	200.009	2	RIM, WHEEL 55"	OPTIONAL
	230.326	2	RIM, WHEEL 60"	
46	200.012	20	TINE CLAMP	
47	210.621	80	TINE ø0,276" (7mm), WHEEL 55"	OPTIONAL
	230.327	80	TINE ø0,295" (7,5mm), WHEEL 60" ()	
48	600.005	40	SCREW M10x25 DIN 603	
49	600.029	40	NUT M10 DIN 980	
50	600.006	12	SCREW M10x25 DIN 933 8.8	
51	600.024	12	SPRING WASHER ø10,5 DIN 125A	
52	600.010	12	NUT M10 DIN 934	
53	205.041	2	HUB ASSY	
54	600.011	2	DUST COVER	
55	600.014	2	BEARING 30204	
56	600.013	2	WHEEL HUB	
57	600.016	2	SAFETY CAP	
58	205.277	2	PIN	
59	600.301	2	SPLIT PIN ø3x30 DIN 94	
60	600.034	2	GREASE NIPPLE M8	
61	600.012	2	BEARING 30205	
62	600.015	2	LOCKING NUT M18x1,5	
66	250.703	1	EXTENSION SECTION, LH	
67	630.586	2	PIN	
68	630.375	2	FORK M16	
69	230.729	2	NUT M22	
70	230.658	2	ROD	
71	230.662	2	WASHER ø23-50x8	
72	230.709	2	WASHER ø13-50x4	
73	600.018	2	SPRING WASHER ø13 DIN 125A	
74	600.441	2	SCREW M12x25 DIN 933 8.8	
76	250.694	-	WHEEL ARM, RH	

SAFETY CHAIN



ITEM	Q.ty	PART NO	DESCRIPTION
76	1	220.500	CHAINE
77	1	620.019	SCREW M22x150 DIN 931
78	1	600.214	SPRING WASHER \varnothing 23
79	1	600.200	NUT M22 DIN 934



AGRICULTURAL MACHINERY
sitrex® SpA .

Zona Industriale-Viale Grecia, 8
06018 TRESTINA-(Perugia)-ITALY
Tel. +39.075.8540021-Telefax +39.075.8540523
e-mail: sitrex@sitrex.it www.sitrex.com

