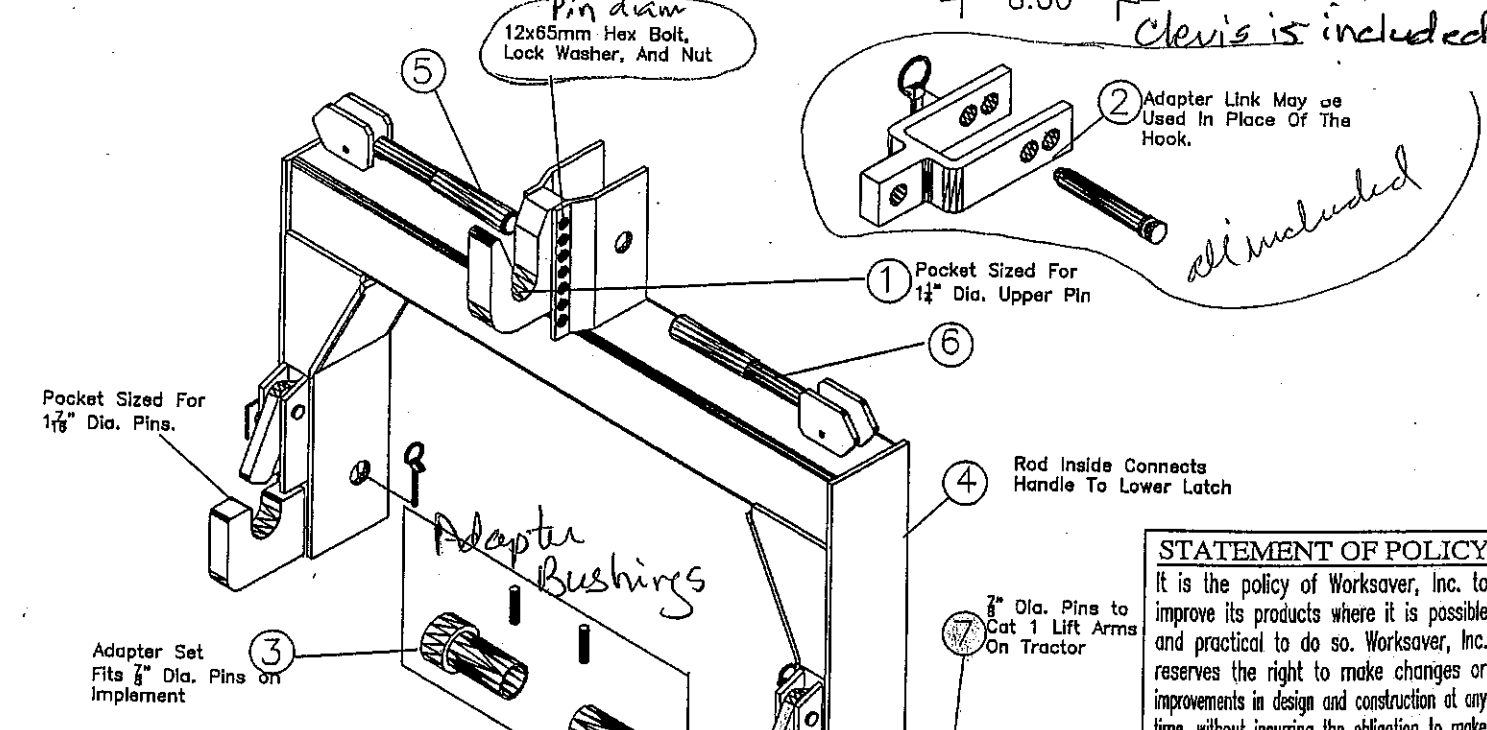
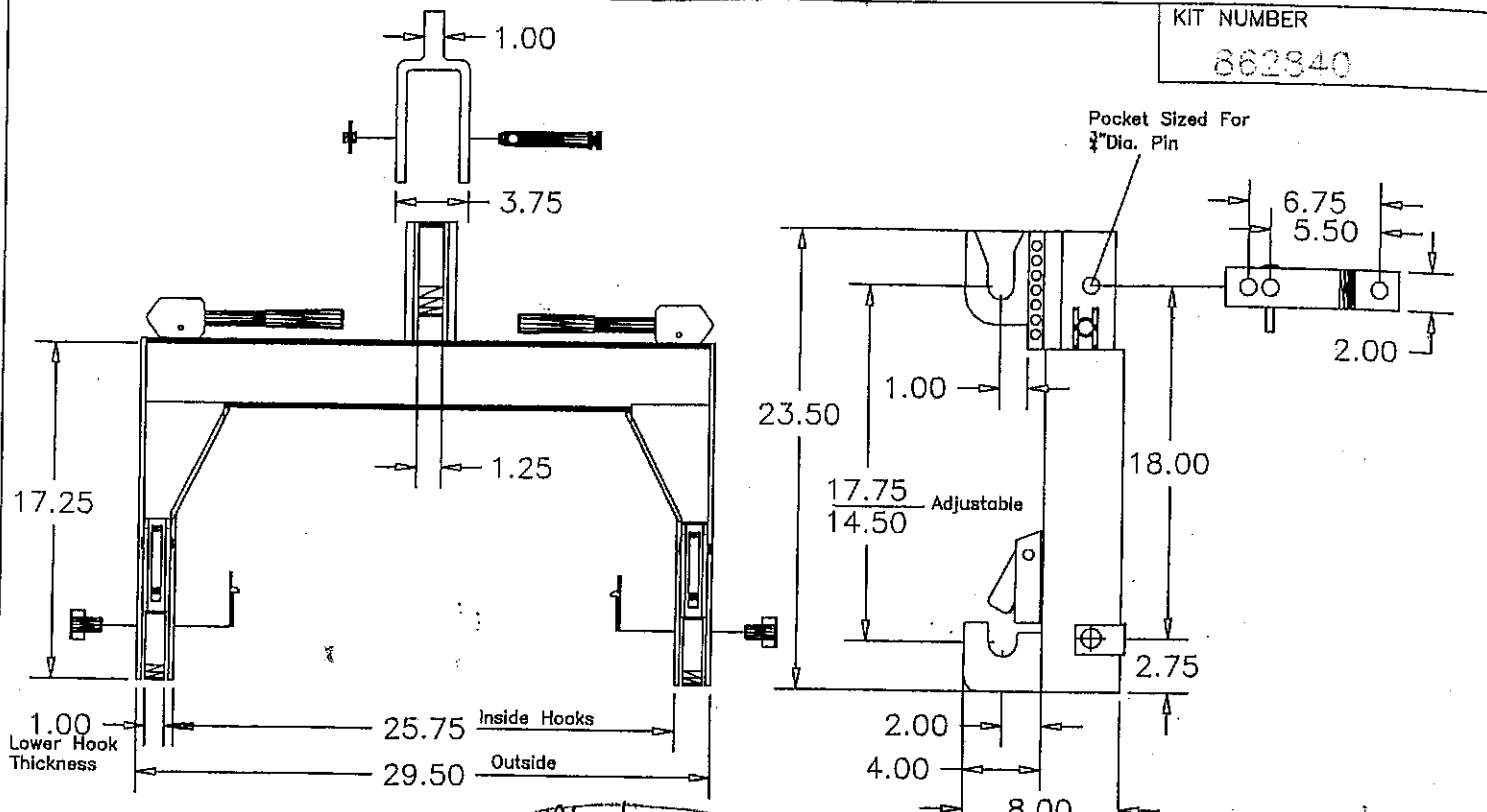


KIT NUMBER

862840



Clevis is included

all included

Item #	Part #	Description	Qty
1	862859	Top Hook	1
2	862841	Toplink Adapter	1
3	862500	Bushing Kit	1
4	862843	Handle (Only)	2
5	862844	Grip for Handle	2
6	862847	Rod (Handle to Latch)	2
7	862842	Lower Mounting Pin	2

Cat 11 to Cat 1

Category 1 Standard Quick Hitch Comes With (1) Set of Adapter Bushings Rated for Use With 50H.P. Tractor Weighs Approx 78LBS.

STATEMENT OF POLICY

It is the policy of Worksafer, Inc. to improve its products where it is possible and practical to do so. Worksafer, Inc. reserves the right to make changes or improvements in design and construction at any time, without incurring the obligation to make these changes on previously manufactured units.

PROPRIETARY INFORMATION

THIS DOCUMENT IS THE PROPERTY OF WORKSAFER INC. ITS USE IS AUTHORIZED ONLY FOR THE PURPOSE FOR WHICH IT WAS PROVIDED. IT MAY NOT BE REPRODUCED WITHOUT PERMISSION OF WORKSAFER INCORPORATED.

WORKSAFER, INC.
P.O. Box 100, Litchfield, Illinois 62056

LOADERS

Quick Hitch
QK-101 *Came w/ Bushings*

DRAWN BY BRH DATE 6-15-04

KIT NUMBER 862840