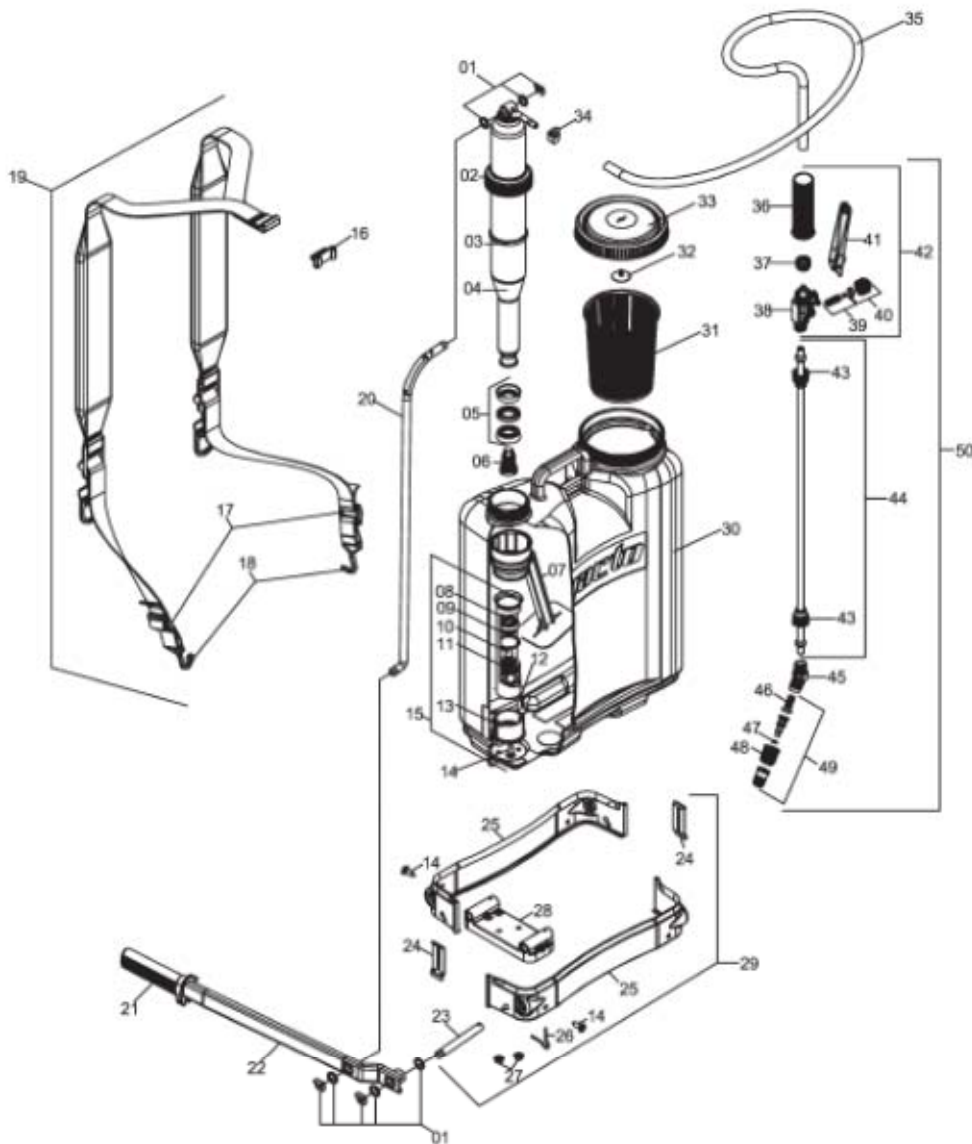


PJ16 Parts Breakdown



| N. | P/N | DESCRIPTION | Qty | N. | P/N | DESCRIPTION | Qty |
|----|---------|--|-----|----|---------|---------------------------------|-----|
| 1 | 1198800 | Washers and locked rings set (repair) | 01 | 33 | 661116 | Lid with diaphragm | 01 |
| 2 | 831222 | Gasket holder | 01 | 34 | 1187239 | Clamp | 01 |
| 3 | 831230 | Gasket | 01 | 35 | 530576 | Hose 5/16" x 1350 | 01 |
| 4 | 635284 | Chamber assembly (with 5 and 6) | 01 | 36 | 942177 | Trigger valve handle | 01 |
| 5 | 336479 | Piston cup and spacer set | 01 | 37 | 920470 | Claw | 01 |
| 6 | 1192736 | Chamber valve | 01 | 38 | 909283 | Trigger valve body | 01 |
| 7 | 300582 | Agitator | 01 | 39 | 105239 | Trigger valve needle (assembly) | 01 |
| 8 | 570788 | Lock ball | 01 | 40 | 996058 | Trigger valve cap | 01 |
| 9 | 11668 | Oring OR1-122 | 01 | 41 | 105247 | Trigger | 01 |
| 10 | 715474 | Ball | 01 | 42 | 908889 | Trigger valve assembly | 01 |
| 11 | 433359 | Valve seat | 01 | 43 | 915744 | Screw cap | 02 |
| 12 | 351486 | Screw M6 x 20 x 1,0 | 02 | 44 | 100131 | Lance | 01 |
| 13 | 433367 | Cylinder base | 01 | 45 | 560649 | Elbow with cone packing | 01 |
| 14 | 211227 | Screw No. 14" x 3/4" | 04 | 46 | 592139 | Nozzle filter M40 | 01 |
| 15 | 433334 | Cylinder assembly (8 to 14 and 27) | 01 | 47 | 940106 | Oring OR1-009 | 01 |
| 16 | 214817 | Strap lock | 01 | 48 | 1168546 | Nozzle cap | 01 |
| 17 | 502757 | Strap buckle | 02 | 49 | 325787 | Adjustable cone nozzle blue | 01 |
| 18 | 433474 | Strap hook | 02 | 50 | 530626 | Lance assembly LP-600 | 01 |
| 19 | 635342 | Strap assembly (with item 16 to 18) | 01 | | | | |
| 20 | 1197400 | Pumping rod | 01 | | | | |
| 21 | 495812 | Handgrip | 01 | | | | |
| 22 | 615005 | Pumping lever | 01 | | | | |
| 23 | 433896 | Pumping lever shaft | 01 | | | | |
| 24 | 942896 | Base clamp | 02 | | | | |
| 25 | 942888 | Split base | 02 | | | | |
| 26 | 433888 | Lever shaft cotter pin | 01 | | | | |
| 27 | 636126 | Flanged nut | 02 | | | | |
| 28 | 433870 | Base reinforcement | 01 | | | | |
| 29 | 635821 | Tank base | 01 | | | | |
| 30 | 635839 | Tank with lid PJ-16 (with item 2, 3, 7, 31 a 33) | 01 | | | | |
| 31 | 942920 | Strainer | 01 | | | | |
| 32 | 560573 | Diaphragm | 01 | | | | |

LLM-XXX