

PH

English version

EDITION - 06/2007

CODE - 979133

Parts catalog



MÁQUINAS AGRÍCOLAS JACTO S.A.

Rua Dr. Luiz Miranda, 1650

17580-000 - Pompéia - SP - Brasil

Tel.: +55 14 3405-2100 - Fax: +55 14 3452 1306

E-mail: export@jacto.com.br

Home page: <http://www.jacto.com.br>

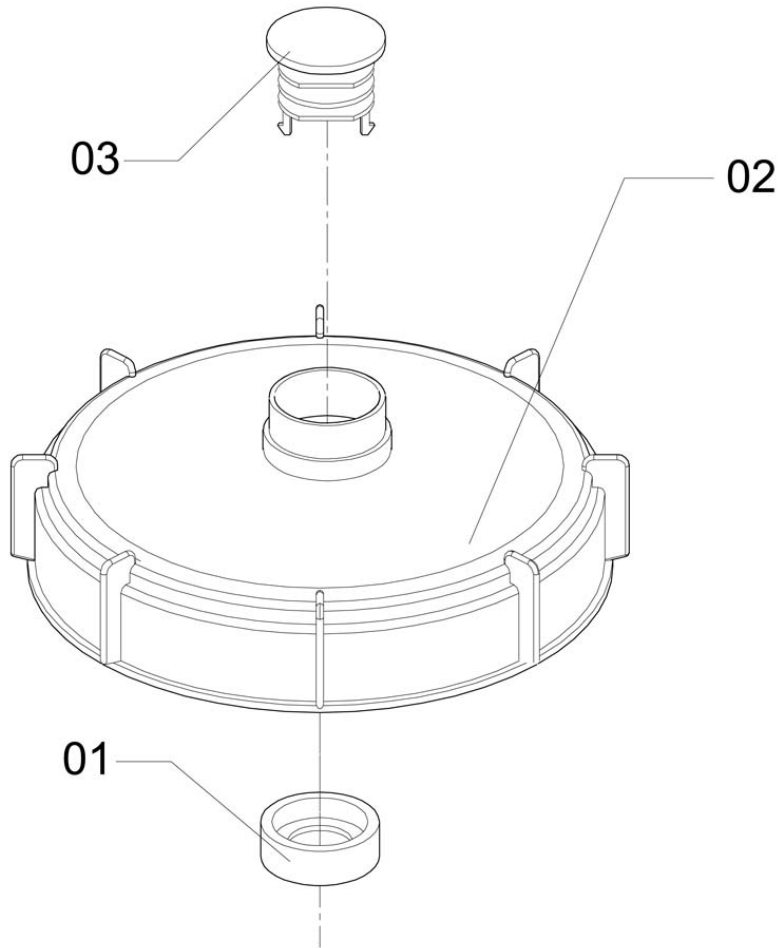
PH

| EQUIPMENT | PAGE |
|----------------|------|
| PH-400 SA..... | 4 |

**PH-400 SA
(CODE: 196824)**

| ENTIRE ASSEMBLIES | PAGE |
|--|-------------|
| 15-LITER TANK- LEFT | 33 |
| ACCESSORIES BOX PH-400 SA/FILLER UNIT/DEF-015/EF-015 | 16 |
| ADJUSTABLE BOOM | 25 |
| APPLICATION ASSEMBLY | 12 |
| CENTRAL SHIELD | 29 |
| CHASSI AND COMPLEMENTS | 11 |
| CHEMICAL CIRCUIT | 6 |
| CHEMICAL CONTAINER RINSE NOZZLE ROD | 38 |
| CHEMICAL CONTAINERS RINSE NOZZLE NO. 6 | 32 |
| CONVENTIONAL PTO SHAFT 610 - S 102 - Z = 6 X Ø 30 | 13 |
| DIRECTIONAL VALVE 2 L/MIN. | 21 |
| FILTER FVS-100 | 34 |
| GRASS LIE-DOWN BAR PH | 31 |
| IN-LINE FILTER "II" - 80 MESH - NOZZLE 1/2" | 19 |
| IN LINE FILTER | 18 20 |
| JACTO CONTROL - 42 L/MIN - MODEL "A" | 15 |
| LID WITH BREATHER | 5 |
| PRESSURE REGULATOR | 8 |
| PTO SHAFT 500 | 14 |
| REAR SHIELD ASSEMBLY | 26 |
| REAR SHIELD SUPPORT | 30 |
| RIGHT/LEFT SIDE SHIELD | 27 28 |
| RIGHT/LEFT WING ASSEMBLY | 24 |
| RINSE NOZZLE | 37 |
| SINGLE NOZZLE HOLDER (END) WITH NONDRIP VALVE | 35 |
| SPRAY PISTON PUMP (40 L) | 10 |
| STICKER: "PH-400 SA" | 36 |
| SUCTION FILTER 100 L/MIN 60 MESH | 17 |
| TRANSFER VALVE | 23 |
| | |

LID WITH BREATHER

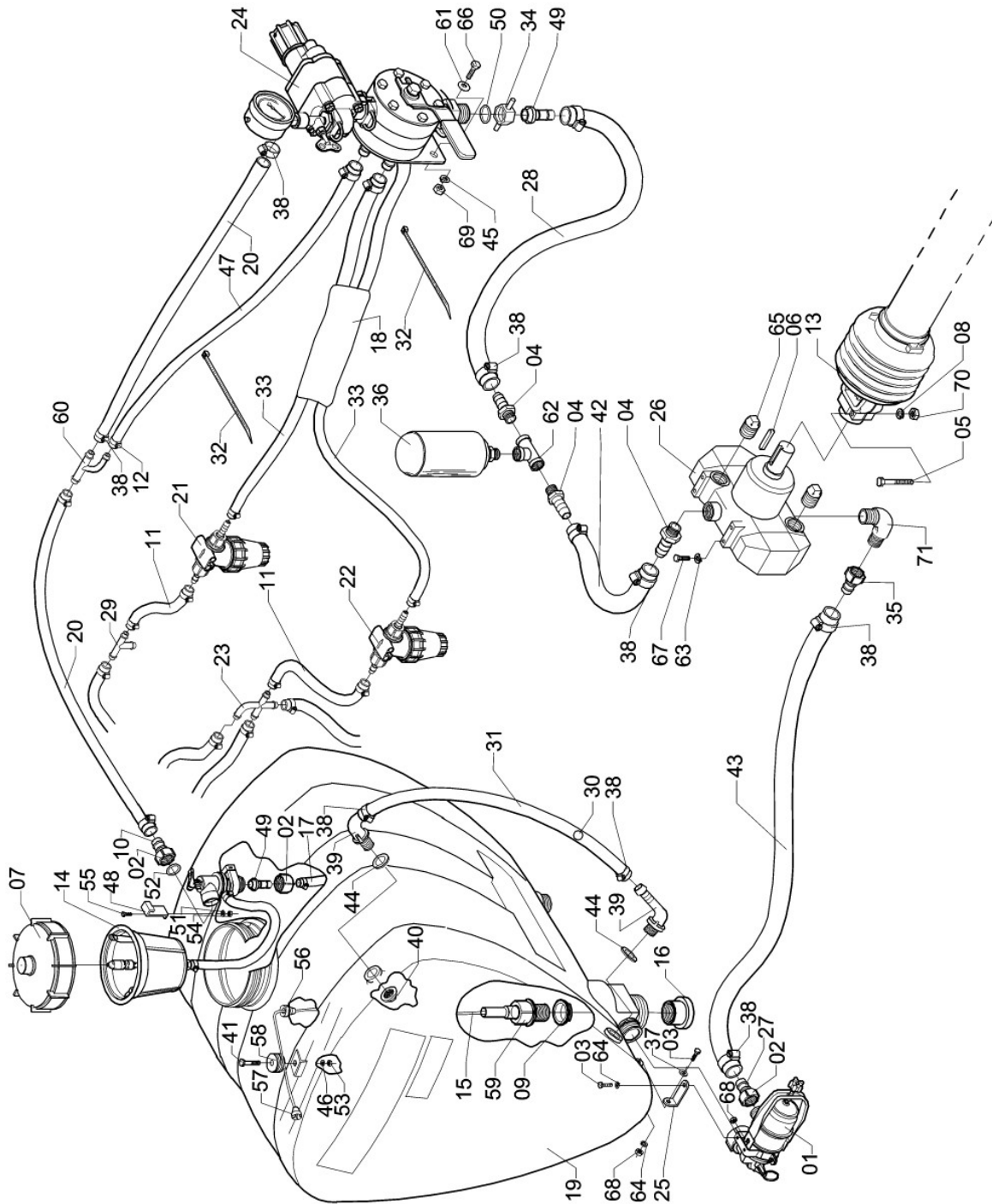


D-101

| Item | CODE | DESCRIPTION | Qty. |
|------|--------|-------------------|------|
| 00 | 037374 | Lid with breather | 1 |
| 01 | 088419 | Labyrinth lock | 1 |
| 02 | 233965 | Spray tank lid | 1 |
| 03 | 088427 | Labyrinth | 1 |

| Item | CODE | DESCRIPTION | Qty. |
|------|------|-------------|------|
| | | | |
| | | | |
| | | | |
| | | | |

CHEMICAL CIRCUIT



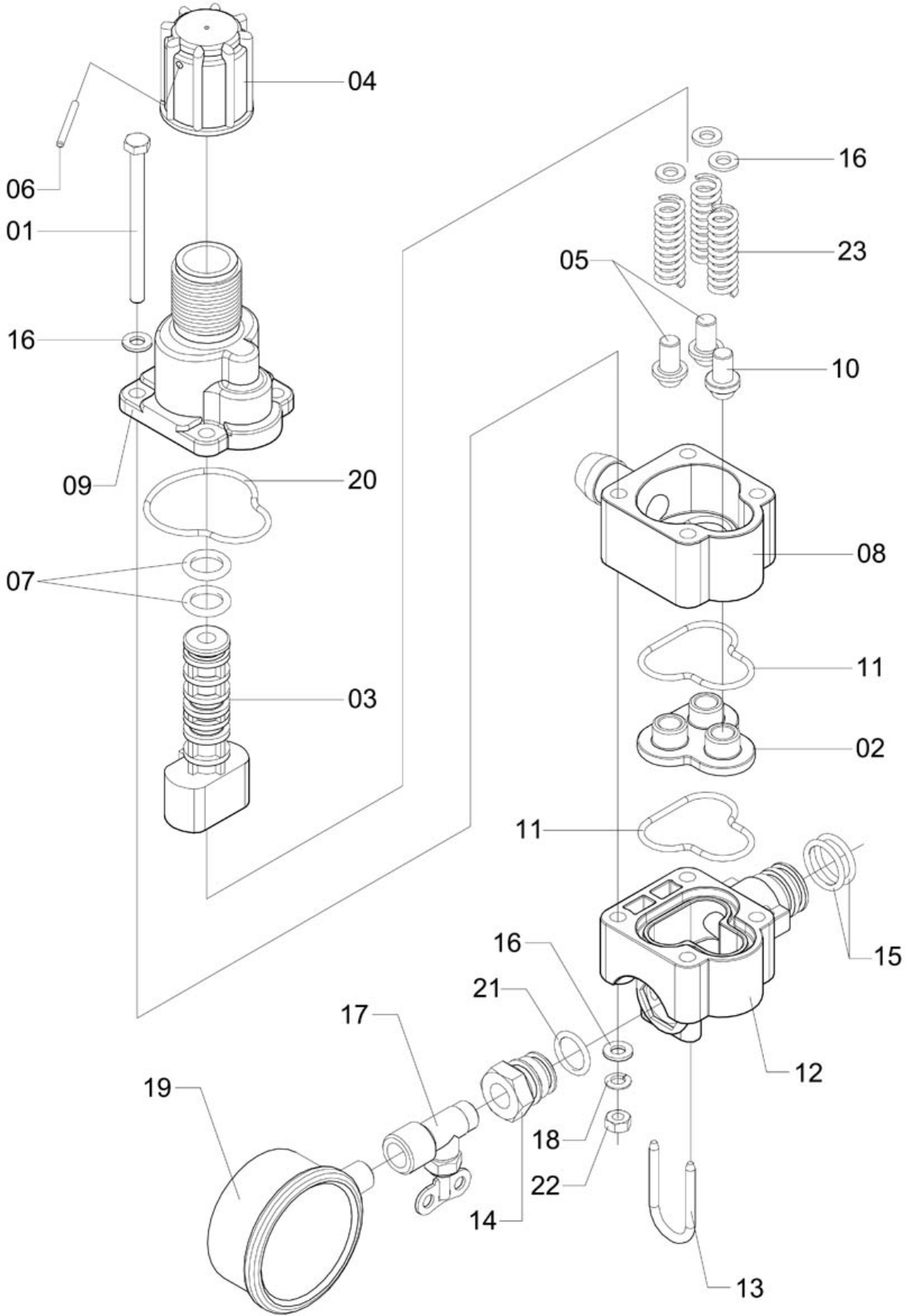
CD-367

CHEMICAL CIRCUIT

Continuation

| Item | CODE | DESCRIPTION | Qty. | Item | CODE | DESCRIPTION | Qty. |
|------|--------|--|------|------|--------|--|------|
| 00 | 975938 | Chemical circuit | 1 | 60 | 873497 | "T" fitting 3/4" x 1/2" | 1 |
| 01 | 005777 | Filter FVS-100 | 1 | 61 | 881276 | Flat washer 87 x 200 x 12 | 2 |
| 02 | 005884 | Nut 1.1/4" BSP | 3 | 62 | 908491 | Elbow with side outlet ø 3/4" | 1 |
| 03 | 007229 | Bolt 1/4" x 20 UNC x 3/4" | 2 | 63 | 908566 | Lock washer ø 3/8" | 4 |
| 04 | 011114 | Hose fitting ø 3/4" | 3 | 64 | 910117 | Lock washer ø 1/4" | 2 |
| 05 | 011692 | Bolt 7/16" - 20 UNF x 2.3/4" | 1 | 65 | 910687 | Plug ø 3/4" BSP | 2 |
| 06 | 015305 | Square key 5/16" x 30 | 1 | 66 | 912667 | Bolt 5/16" x 18 UNC x 7/8 | 2 |
| 07 | 037374 | Lid with breather | 1 | 67 | 912709 | Bolt ø 3/8" - 16 UNC x 1" | 4 |
| 08 | 912998 | Lock washer 7/16" | 1 | 68 | 912741 | Nut ø 1/4" - 20 UNC | 2 |
| 09 | 088245 | Packing ring | 1 | 69 | 912758 | Hex. nut 5/16" - 18 UNC | 2 |
| 10 | 091041 | Fitting for hose ø 3/4" with flange ø 33 | 2 | 70 | 912782 | Hex. nut ø 7/16" - 20 UNF | 1 |
| 11 | 102988 | Hose ø 1/2" x 440 | 2 | 71 | 912980 | Male/female elbow ø 3/4" x 90° | 1 |
| 12 | 107664 | Clamp D14-22 - stainless steel | 10 | | 039396 | Sticker: "PTO shaft protection" | 1 |
| 13 | 128173 | PTO shaft 500 | 1 | | 169128 | Sticker: "Chemical container rinse nozzle" | 1 |
| 14 | 132761 | Chemical containers rinse nozzle no. 6 | 1 | | 515734 | Sticker: "Clean filter..." | 1 |
| 15 | 135624 | | 1 | | | | |
| 16 | 135632 | | 1 | | | | |
| 17 | 135657 | Hose ø 3/4" x 1000 - black | 1 | | | | |
| 18 | 135665 | Protective hose 50 x 0.50 x 350 | 1 | | | | |
| 19 | 136895 | Tank | 1 | | | | |
| 20 | 137844 | Hose 3/4" x 200 | 2 | | | | |
| 21 | 163469 | In line filter | 1 | | | | |
| 22 | 163477 | In line filter | 1 | | | | |
| 23 | 975979 | Curve cross | 1 | | | | |
| 24 | 188102 | Jacto control - 42 L/min - Model "A" | 1 | | | | |
| 25 | 203372 | Filter bracket | 1 | | | | |
| 26 | 203414 | Spray piston pump (40 L) | 1 | | | | |
| 27 | 208777 | Hose fitting 1" x 33 | 1 | | | | |
| 28 | 217315 | Hose Ø 3/4" x 850 | 1 | | | | |
| 29 | 318170 | Tee hose fitting ø 1/2" | 1 | | | | |
| 30 | 324764 | Float ø 14 | 1 | | | | |
| 31 | 324798 | Hose 3/4" x 1030 | 1 | | | | |
| 32 | 326710 | Hose tie | 3 | | | | |
| 33 | 344689 | Hose Ø 1/2" x 2000 | 2 | | | | |
| 34 | 403014 | Hexagonal wing nut 3/4" BSP | 1 | | | | |
| 35 | 404442 | | 1 | | | | |
| 36 | 408054 | Compensation chamber | 1 | | | | |
| 37 | 413468 | Flat washer 68 x 190 x 12 | 1 | | | | |
| 38 | 423814 | Clamp D22-32 - stainless steel | 11 | | | | |
| 39 | 428730 | Elbow 3/4" x 1/2" BSP -14 F.P.P. | 2 | | | | |
| 40 | 428748 | Flanged nut 1/2" BSP -14 F.P.P. | 2 | | | | |
| 41 | 443713 | Screw M6 x 40 x 1.00 | 1 | | | | |
| 42 | 508978 | Hose 3/4" x 330 | 1 | | | | |
| 43 | 509554 | Hose Ø 25,4 (1") X 420 - Km 25 | 1 | | | | |
| 44 | 973024 | Seal 36 x 21 x 6 | 2 | | | | |
| 45 | 519736 | Lock washer M8 | 2 | | | | |
| 46 | 521666 | Lock washer M6 | 1 | | | | |
| 47 | 539676 | Hose ø 1/2" x 200 | 1 | | | | |
| 48 | 547117 | Filler unit support | 1 | | | | |
| 49 | 606764 | Fitting for hose ø 3/4" | 1 | | | | |
| 50 | 706796 | O-ring OR1-114 | 1 | | | | |
| 51 | 712554 | Flat washer 70 x 180 x 12,4 | 2 | | | | |
| 52 | 731521 | O-ring OR1 - 124 | 1 | | | | |
| 53 | 810689 | Hex. nut M6 x 1.00 | 1 | | | | |
| 54 | 819292 | Hex. nut 1/4" - 20 UNC (stainless steel) | 2 | | | | |
| 55 | 819631 | Bolt ø 1/4" - 20 UNC x 1" | 2 | | | | |
| 56 | 840934 | Cord guide | 1 | | | | |
| 57 | 840959 | Pull | 1 | | | | |
| 58 | 840967 | Cord lock | 1 | | | | |
| 59 | 841056 | Transfer valve | 1 | | | | |

PRESSURE REGULATOR



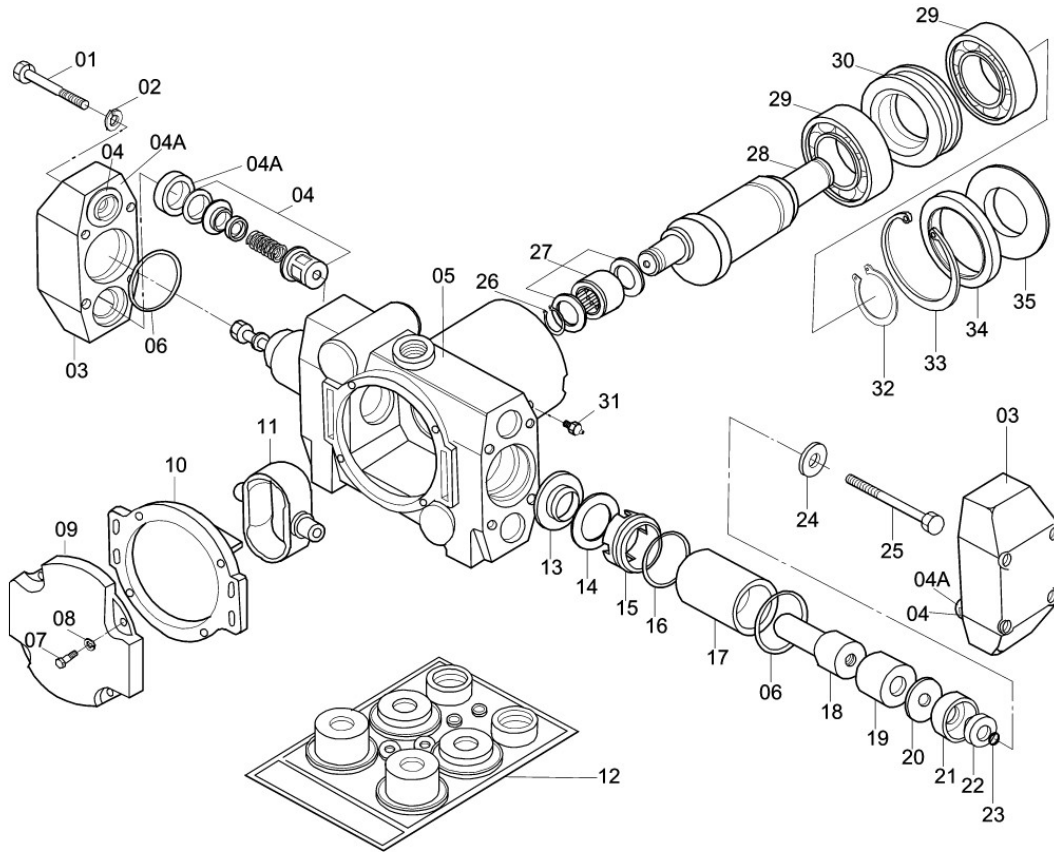
CV-334

PRESSURE REGULATOR

Continuation

| Item | CODE | DESCRIPTION | Qty. | Item | CODE | DESCRIPTION | Qty. |
|------|--------|--|------|------|------|-------------|------|
| 00 | 348896 | Pressure regulator | 1 | | | | |
| 01 | 049767 | Bolt M6 x 80 x 1.00 | 4 | | | | |
| 02 | 072231 | Valve seat | 1 | | | | |
| 03 | 073551 | Regulator rod | 1 | | | | |
| 04 | 073569 | Handgrip | 1 | | | | |
| 05 | 073585 | Cell | 2 | | | | |
| 06 | 073700 | Handgrip pin | 1 | | | | |
| 07 | 099036 | O-ring OR1-207 | 2 | | | | |
| 08 | 146035 | Intermediate block | 1 | | | | |
| 09 | 146043 | Regulator cylinder | 1 | | | | |
| 10 | 148601 | Patch with guide | 1 | | | | |
| 11 | 216200 | O-ring ORI-132 | 2 | | | | |
| 12 | 346197 | Regulator body | 1 | | | | |
| 13 | 348789 | Lock 22 | 1 | | | | |
| 14 | 348862 | Fitting \varnothing 1/4" - 19 BSP | 1 | | | | |
| 15 | 358226 | O-ring ORI - 116 | 2 | | | | |
| 16 | 358267 | Flat washer 64 x 125 x 16 | 11 | | | | |
| 17 | 507319 | Needle valve for pressure gauge | 1 | | | | |
| 18 | 521666 | Lock washer M6 | 4 | | | | |
| 19 | 551945 | Pressure gauge (0 to 40 kgf/cm ²) (glycerin-filled) | 1 | | | | |
| 20 | 573154 | O-ring OR1-136 | 1 | | | | |
| 21 | 706796 | O-ring OR1-114 | 1 | | | | |
| 22 | 810689 | Hex. nut M6 x 1.00 | 4 | | | | |
| 23 | 941096 | Compression spring 8.7 x 41 | 3 | | | | |

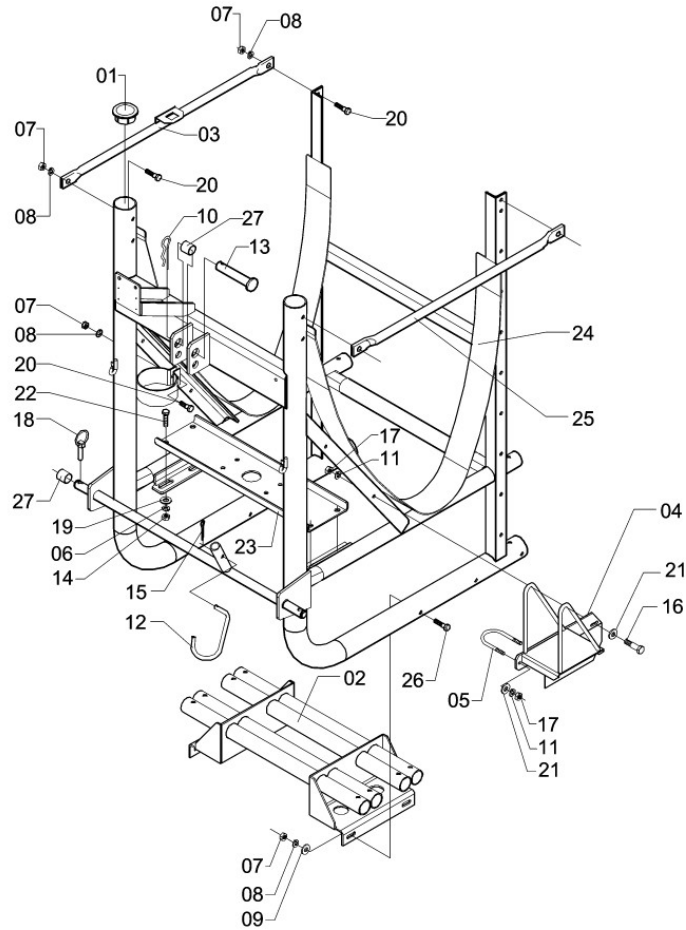
SPRAY PISTON PUMP (40 L)



B-28

| Item | CODE | DESCRIPTION | Qty. | Item | CODE | DESCRIPTION | Qty. |
|------|--------|------------------------------|------|------|--------|-------------------------------|------|
| 00 | 203414 | Spray piston pump (40 L) | 1 | 25 | 416594 | Bolt f 3/8" UNC x 84 | 2 |
| 01 | 908517 | Bolt 3/8" - 16 UNC x 2.1/2" | 8 | 26 | 001198 | Snap ring for shaft | 1 |
| 02 | 908566 | Lock washer ø 3/8" | 8 | 27 | 001180 | Needle valve with thrust disk | 1 |
| 03 | 607838 | Pump head | 1 | 28 | 109223 | Crankshaft with shaft ø 30 | 1 |
| 04 | 407825 | Pump valve ø 18 | 4 | 29 | 001156 | Bearing | 2 |
| 04A | 508333 | Valve packing | 4 | 30 | 800615 | Spacer ring | 1 |
| 05 | 920637 | Pump body | 1 | 31 | 910463 | Grease nipple 1/4" - 28 UNF | 1 |
| 06 | 417717 | O-ring OR1-227 | 2 | 32 | 001164 | Snap ring for shaft | 1 |
| 07 | 441030 | Bolt ø 1/4" - 20 UNC x 5/8" | 4 | 33 | 001149 | Snap ring for hole 90 | 1 |
| 08 | 910117 | Lock washer ø 1/4" | 4 | 34 | 001131 | Retainer | 1 |
| 09 | 323659 | Matching cover | 1 | 35 | 428318 | Protector | 1 |
| 10 | 800698 | Cover | 1 | | 515726 | Sticker: Lubricate daily | 1 |
| 11 | 416131 | Connecting rod | 1 | | | | |
| 12 | 427070 | Repair kit | 1 | | | | |
| 13 | 511014 | Retainer | 2 | | | | |
| 14 | 511139 | Flat washer 340 x 535 x 9,9 | 2 | | | | |
| 15 | 416180 | Spacer bushing | 2 | | | | |
| 16 | 323576 | O-ring OR1-33 | 2 | | | | |
| 17 | 423517 | Pump sleeve | 2 | | | | |
| 18 | 425538 | Piston body | 2 | | | | |
| 19 | 212225 | Piston cup guide | 2 | | | | |
| 20 | 331199 | Piston cup seat | 2 | | | | |
| 21 | 211482 | Piston cup | 2 | | | | |
| 22 | 425546 | Piston | 2 | | | | |
| 23 | 417709 | O-ring OR1 -012 | 2 | | | | |
| 24 | 416578 | Flat washer 100 x 190 x 12.4 | 2 | | | | |

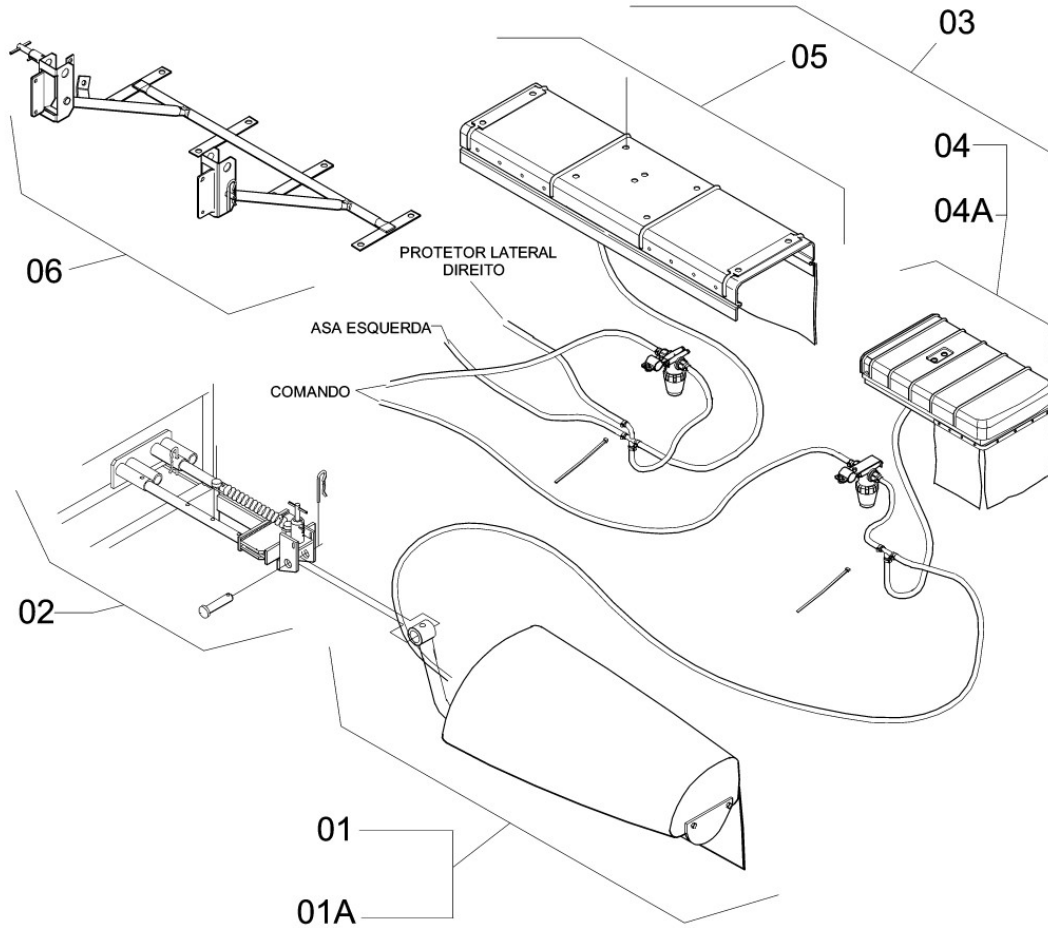
CHASSI AND COMPLEMENTS



C3P-86

| Item | CODE | DESCRIPTION | Qty. | Item | CODE | DESCRIPTION | Qty. |
|------|--------|---------------------------------------|------|------|--------|--|------|
| 00 | 097758 | Chassi and complements | 1 | 26 | 764167 | Hexagonal Head Bolt M10 x 80 x 1.50 - CL 8.8 | 4 |
| 01 | 018895 | Plastic plug ø 52.3 | 2 | 27 | 400325 | Lower coupling pin sleeve | 3 |
| 02 | 044198 | | 1 | | 039420 | Sticker: "Chemicals" (Port.) | |
| 03 | 097253 | Right angle brace | 1 | | | | |
| 04 | 132191 | Tank support - left | 1 | | | | |
| 05 | 132290 | Clip for tube 60 | 1 | | | | |
| 06 | 209163 | Lock washer M12 | 4 | | | | |
| 07 | 209205 | Hex. nut M10 x 1,50 | 9 | | | | |
| 08 | 209395 | Lock washer M10 | 9 | | | | |
| 09 | 623884 | Flat washer 105 x 210 x 20 | 4 | | | | |
| 10 | 517409 | Cotter pin 3/16" | 1 | | | | |
| 11 | 519736 | Lock washer M8 | 3 | | | | |
| 12 | 560789 | PTO shaft hook | 1 | | | | |
| 13 | 602912 | Coupling pin 19 x 113 | 1 | | | | |
| 14 | 626234 | Hex. nut M 12 | 4 | | | | |
| 15 | 808451 | Cotter pin ø 3/32" x 3/4" | 1 | | | | |
| 16 | 829374 | Hex. head bolt M8 x 20 x 1.25 -cl 8.8 | 1 | | | | |
| 17 | 810770 | Hex. nut M8 x 1.25 | 3 | | | | |
| 18 | 812636 | Universal lock pin 7/16" | 2 | | | | |
| 19 | 818112 | Flat washer 130 x 240 x 30 | 4 | | | | |
| 20 | 829515 | Hex. bolt M10 x 30 x 1.5 | 5 | | | | |
| 21 | 881276 | Flat washer 87 x 200 x 12 | 3 | | | | |
| 22 | 929828 | Hex. head bolt M12 x 30 x 1.75 | 4 | | | | |
| 23 | 982793 | Pump mounting base | 1 | | | | |
| 24 | 984625 | Chassis | 1 | | | | |
| 25 | 991828 | Angle brace 737 | 1 | | | | |

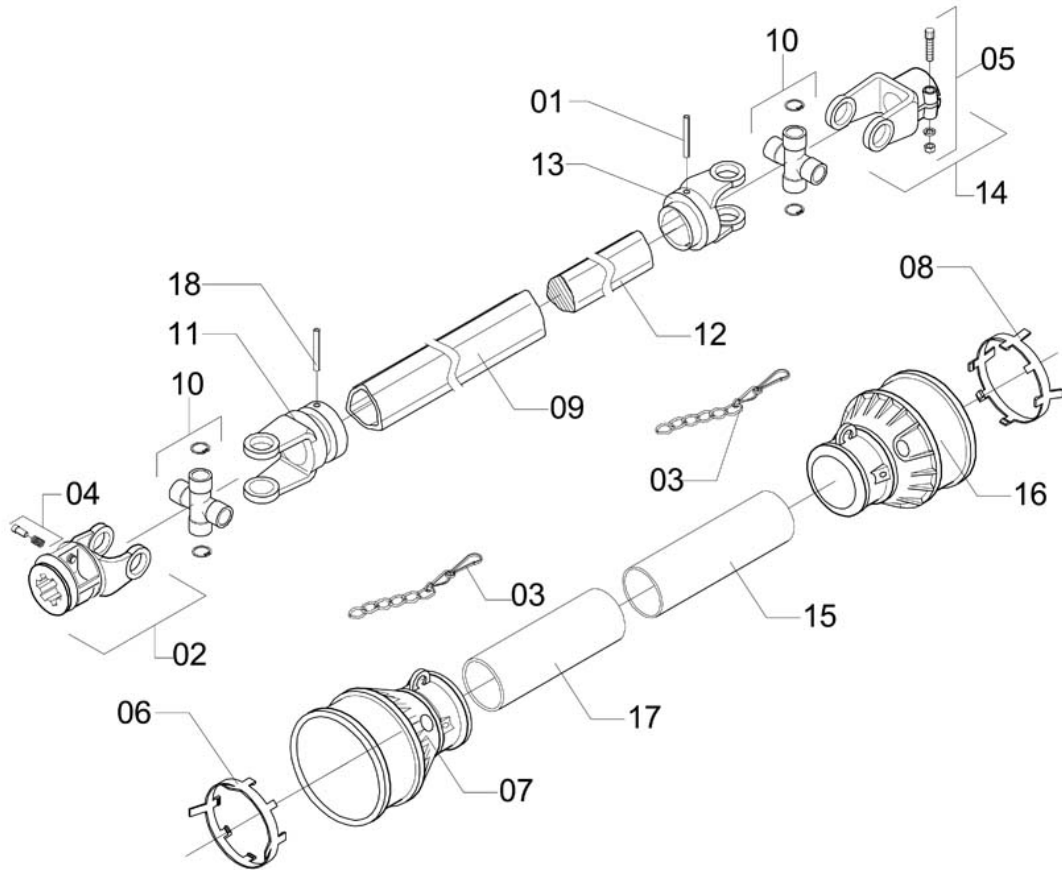
APPLICATION ASSEMBLY



CA-152

| Item | CODE | DESCRIPTION | Qty. | Item | CODE | DESCRIPTION | Qty. |
|------|--------|------------------------|------|------|------|-------------|------|
| 00 | 975946 | Application assembly | 1 | | | | |
| 01 | 879023 | Left wing assembly | 1 | | | | |
| 01A | 879015 | Right wing assembly | 1 | | | | |
| 02 | 975920 | Adjustable boom | 2 | | | | |
| 03 | 052589 | Rear guard assembly | 1 | | | | |
| 04 | 975813 | Right side guard | 1 | | | | |
| 04A | 975805 | Left side guard | 1 | | | | |
| 05 | 052712 | Central guard assembly | 1 | | | | |
| 06 | 052597 | Rear guard support | 1 | | | | |

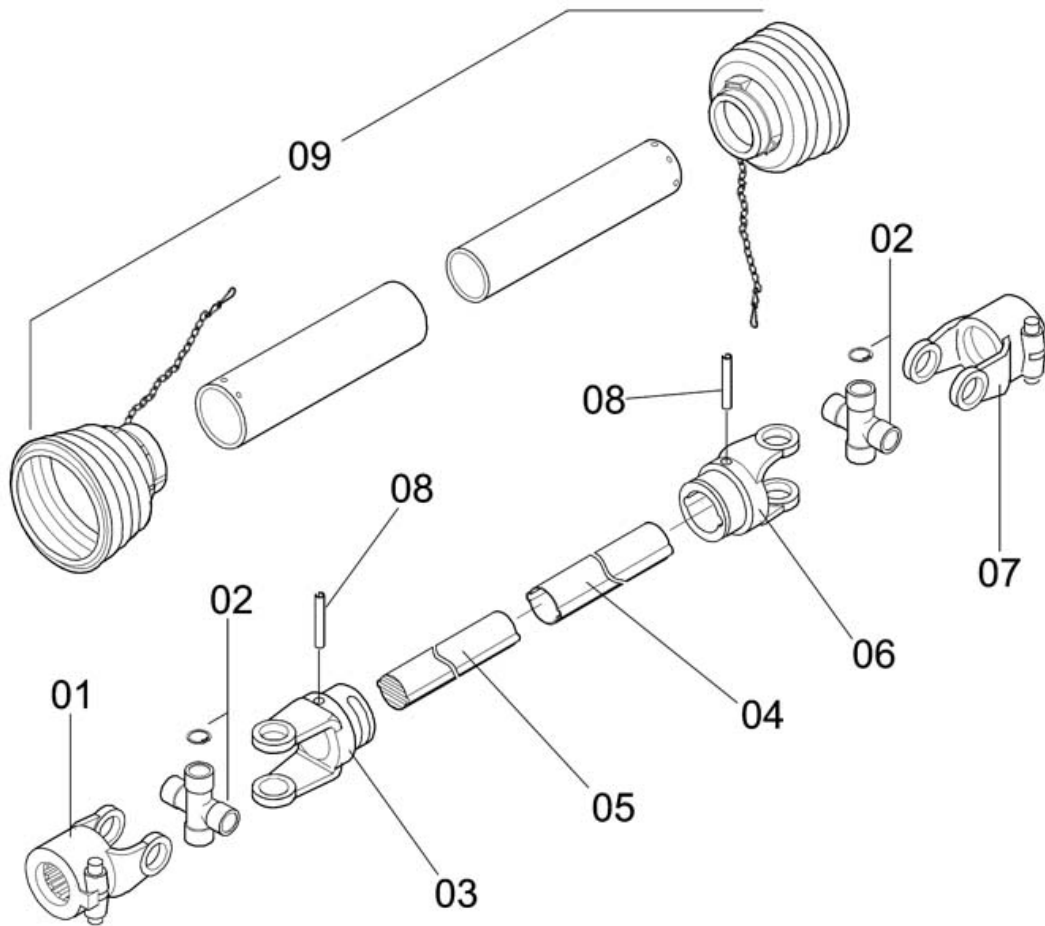
CONVENTIONAL PTO SHAFT 610 - S 102 - Z = 6 X Ø 30



CN-30

| Item | CODE | DESCRIPTION | Qty. | Item | CODE | DESCRIPTION | Qty. |
|------|--------|--|------|------|------|-------------|------|
| 00 | 558932 | Conventional PTO shaft 610 - S 102 - Z = | 1 | | | | |
| 01 | 912626 | Flexible pin | 1 | | | | |
| 02 | 207589 | Coupling end with lock - tractor end (1.3/8"Z=6) | 1 | | | | |
| 03 | 457127 | Chain | 2 | | | | |
| 04 | 210641 | Lock with spring | 1 | | | | |
| 05 | 457192 | Bolt and nut | 1 | | | | |
| 06 | 643510 | Shield lock | 1 | | | | |
| 07 | 643676 | Cross shield (PTO end) | 1 | | | | |
| 08 | 643569 | Shield lock | 1 | | | | |
| 09 | 643783 | Female tube | 1 | | | | |
| 10 | 643411 | Cross | 2 | | | | |
| 11 | 952761 | Internal coupling end - tractor end | 1 | | | | |
| 12 | 643791 | Male tube | 1 | | | | |
| 13 | 952753 | Internal coupling end - sprayer end | 1 | | | | |
| 14 | 643502 | Coupling end (sprayer end) | 1 | | | | |
| 15 | 643817 | Male tube shield | 1 | | | | |
| 16 | 643700 | Cross shield (sprayer end) | 1 | | | | |
| 17 | 643809 | Female tube shield | 1 | | | | |
| 18 | 207449 | Flexible pin ø 8 x 55 | 1 | | | | |

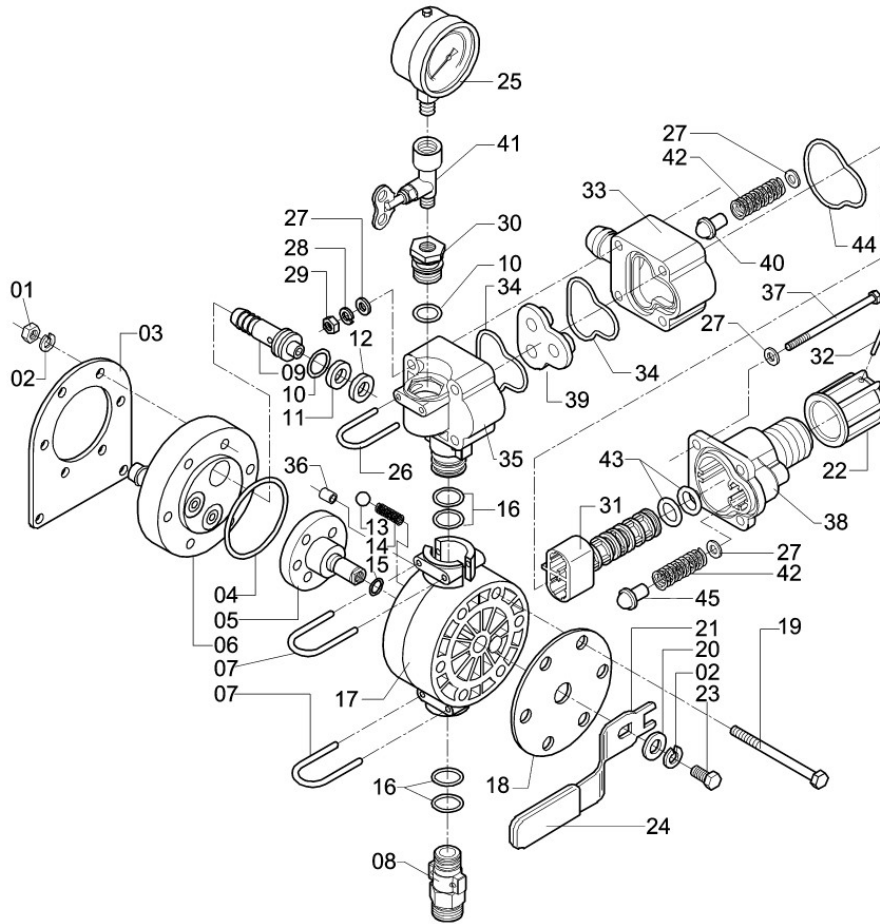
PTO SHAFT 500



CN-10

| Item | CODE | DESCRIPTION | Qty. | Item | CODE | DESCRIPTION | Qty. |
|------|--------|----------------------------|------|------|------|-------------|------|
| 00 | 128173 | PTO shaft 500 | 1 | | | | |
| 01 | 227371 | Coupling end (tractor end) | 1 | | | | |
| 02 | 130369 | Cross assembly with lock | 2 | | | | |
| 03 | 227397 | Male tube coupling end | 1 | | | | |
| 04 | 227488 | Female tube | 1 | | | | |
| 05 | 227496 | Male tube | 1 | | | | |
| 06 | 227405 | Female tube coupling end | 1 | | | | |
| 07 | 227389 | Coupling end (sprayer end) | 1 | | | | |
| 08 | 227447 | Flexible pin | 2 | | | | |
| 09 | 227504 | Plastic shield assembly | 1 | | | | |

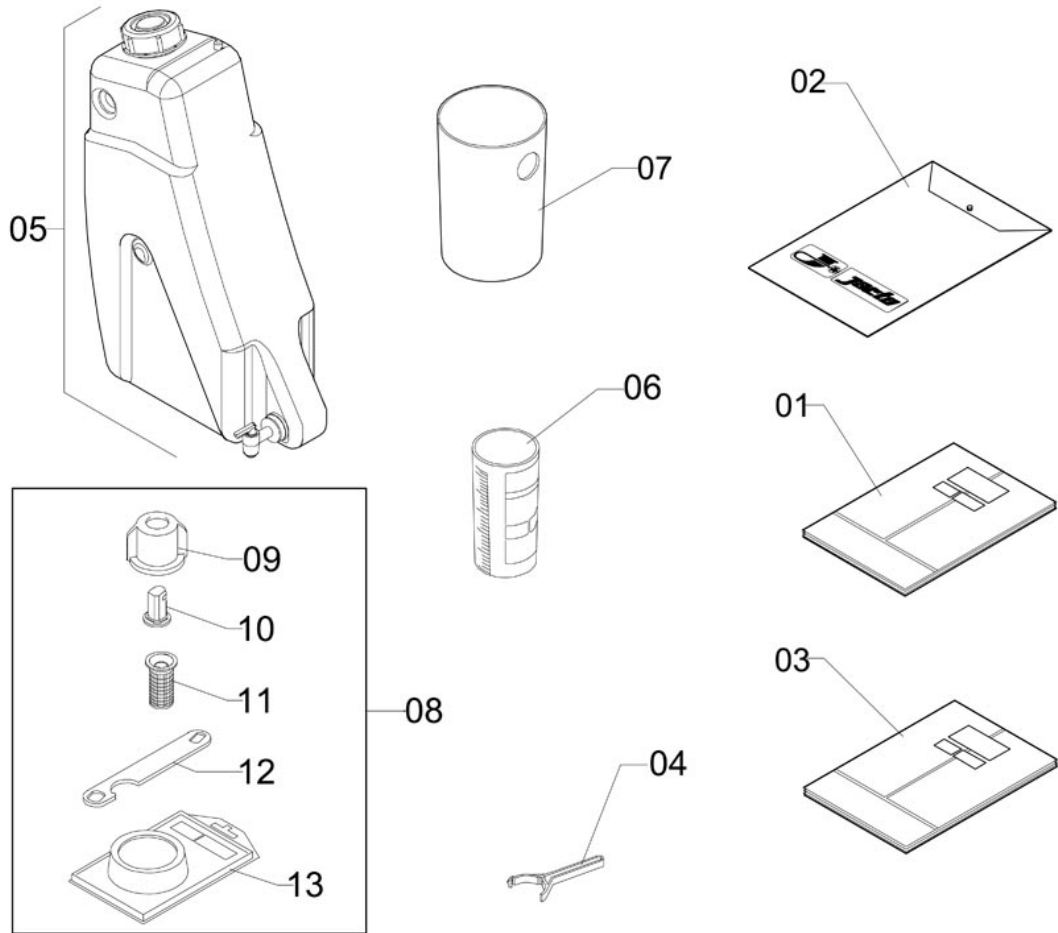
JACTO CONTROL - 42 L/MIN - MODEL "A"



CV-259

| Item | CODE | DESCRIPTION | Qty. | Item | CODE | DESCRIPTION | Qty. |
|------|--------|--------------------------------------|------|------|--------|--|------|
| 00 | 188102 | Jacto control - 42 L/min - Model "A" | 1 | 24 | 945964 | Lever handgrip | 1 |
| 00A | 348904 | Directional valve 2 L/Min. | 1 | 25 | 551945 | Pressure gauge (0 to 40 kgf/cm ²) (glycerin-filled) | 1 |
| 00B | 348896 | Pressure regulator | 1 | 26 | 348789 | Lock 22 | 1 |
| 01 | 810770 | Hex. nut M-8 x 1.25 | 6 | 27 | 358267 | Flat washer 64 x 125 x 16 | 20 |
| 02 | 519736 | Lock washer M8 | 7 | 28 | 521666 | Lock washer M6 | 4 |
| 03 | 358382 | Support | 1 | 29 | 810689 | Hex. nut M6 x 1.00 | 4 |
| 04 | 358242 | O-ring ORI - 142 | 1 | 30 | 348862 | Fitting \varnothing 1/4" - 19 BSP | 1 |
| 05 | 348805 | Distributor | 1 | 31 | 073551 | Regulator rod | 1 |
| 06 | 333096 | Valve cover | 1 | 32 | 073700 | Handgrip pin | 1 |
| 07 | 348771 | Lock | 2 | 33 | 146035 | Intermediate block | 1 |
| 08 | 170399 | Male fitting \varnothing 3/4" BSP | 1 | 34 | 216200 | O-ring ORI-132 | 2 |
| 09 | 346130 | Hose fitting \varnothing 1/4" | 3 | 35 | 346197 | Regulator body | 1 |
| 10 | 706796 | O-ring OR1-114 | 4 | 36 | 555037 | Bushing | 1 |
| 11 | 414771 | O-ring \varnothing 20 x 11 x 3.0 | 3 | 37 | 049767 | Bolt M6 x 80 x 1.00 | 4 |
| 12 | 348813 | Packing ring | 3 | 38 | 146043 | Regulator cylinder | 1 |
| 13 | 358234 | Ball \varnothing 1/2" | 1 | 39 | 072231 | Valve seat | 1 |
| 14 | 411603 | Compression spring | 1 | 40 | 073585 | Cell | 2 |
| 15 | 416669 | O-ring OR1-110 | 1 | 41 | 507319 | Needle valve for pressure gauge | 2 |
| 16 | 358226 | O-ring ORI - 116 | 4 | 42 | 941096 | Compression spring 8.7 x 41 | 3 |
| 17 | 333039 | Valve body | 1 | 43 | 099036 | O-ring OR1-207 | 2 |
| 18 | 348763 | Plate | 1 | 44 | 573154 | O-ring OR1-136 | 1 |
| 19 | 358218 | Hex. bolt M8 x 80 x 1.25 | 6 | 45 | 148601 | Patch with guide | 1 |
| 20 | 013433 | Flat washer | 1 | | | | |
| 21 | 348870 | Lever | 1 | | | | |
| 22 | 073569 | Handgrip | 1 | | | | |
| 23 | 033696 | Hex. head bolt M8 x 12 x 1.25 | 1 | | | | |

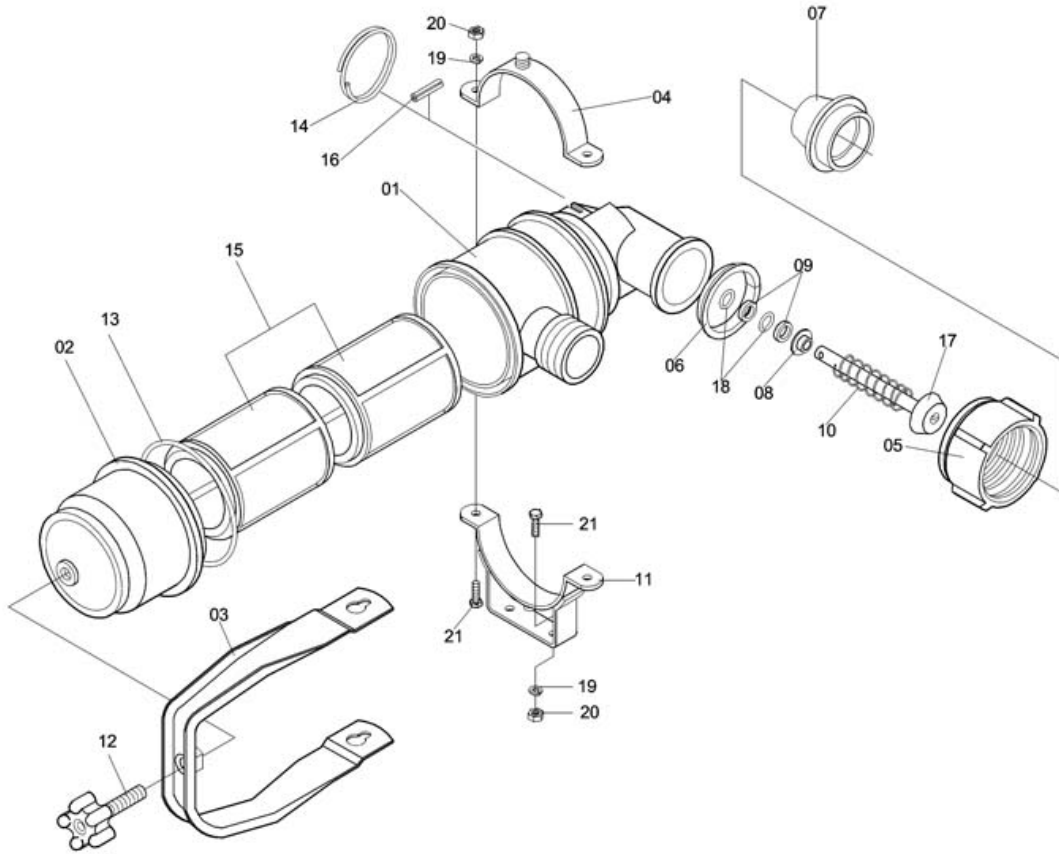
ACCESSORIES BOX PH-400 SA/FILLER UNIT/DEF-015/EF-015



CXA-321

| Item | CODE | DESCRIPTION | Qty. | Item | CODE | DESCRIPTION | Qty. |
|------|--------|--|------|------|------|-------------|------|
| 00 | 196832 | Accessories box PH-400 SA/Filler Unit/DEF-015/EF-015 | 1 | | | | |
| 01 | 966218 | Operator's manual "PH-400 SA"- English | 1 | | | | |
| 02 | 867127 | Plastic folder | 1 | | | | |
| 03 | 158576 | Operator's manual-Chemical container | 1 | | | | |
| 04 | 703694 | rinse nozzle | 1 | | | | |
| 05 | 133215 | Key 40-45 | 1 | | | | |
| 06 | 767061 | 15-liter tank- left | 1 | | | | |
| 07 | 334136 | Flow calibrator bottle | 1 | | | | |
| 08 | 493510 | Deflector | 1 | | | | |
| 09 | 710590 | Nozzles composition DEF-015/EF-015 | 1 | | | | |
| 10 | 457374 | Nozzle cap | 5 | | | | |
| 11 | 440156 | Nozzle DEF-015 | 2 | | | | |
| 12 | 436493 | Nozzle filter (80 mesh) | 5 | | | | |
| 13 | 454215 | Flat fan nozzle aligner | 1 | | | | |
| | | Flat fan nozzle 80GR-EF0-15 | 3 | | | | |

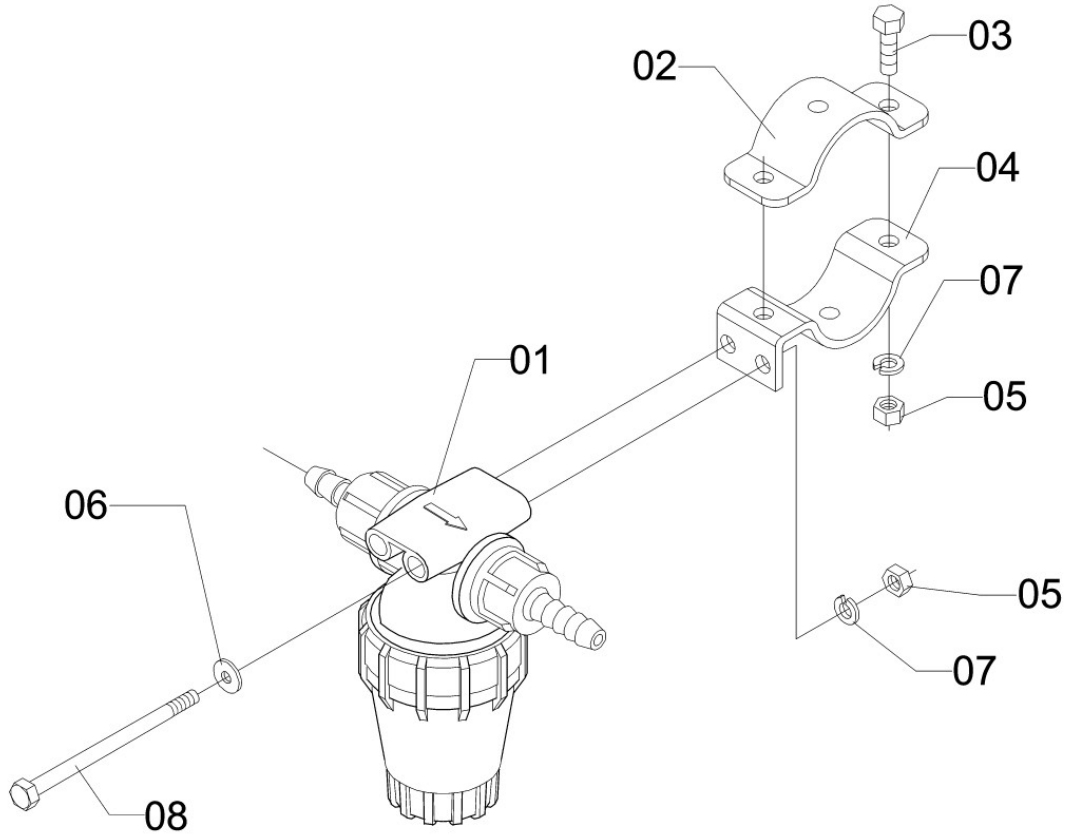
SUCTION FILTER 100 L/MIN 60 MESH



F-38

| Item | CODE | DESCRIPTION | Qty. | Item | CODE | DESCRIPTION | Qty. |
|------|--------|---|------|------|------|-------------|------|
| 00 | 057992 | Suction filter 100 L/min 60 mesh | 1 | | | | |
| 01 | 005785 | Filter body | 1 | | | | |
| 02 | 005793 | Filter cover | 1 | | | | |
| 03 | 005827 | Filter handle | 1 | | | | |
| 04 | 005850 | Half-strap | 1 | | | | |
| 05 | 005900 | Coupling nut filter | 1 | | | | |
| 06 | 005918 | Locking ring | 1 | | | | |
| 07 | 005934 | Valve seat | 1 | | | | |
| 08 | 005967 | Spring seat | 1 | | | | |
| 09 | 005975 | Spacer washer | 2 | | | | |
| 10 | 006148 | Compression spring | 1 | | | | |
| 11 | 010967 | Half-strap with support | 1 | | | | |
| 12 | 011734 | Bolt with knob | 1 | | | | |
| 13 | 012138 | O-ring ORI - 241 | 1 | | | | |
| 14 | 012146 | Ring \varnothing 40 | 1 | | | | |
| 15 | 012492 | Double filtering element | 1 | | | | |
| 16 | 105288 | Flexible pin \varnothing 4 x 20 (heavy) | 1 | | | | |
| 17 | 110817 | Valve | 1 | | | | |
| 18 | 416669 | O-ring OR1-110 | 2 | | | | |
| 19 | 521666 | Lock washer M6 | 3 | | | | |
| 20 | 730309 | Hex. nut M6 x 1.00 - Steel | 3 | | | | |
| 21 | 810697 | Bolt M6 x 1 x 20 | 3 | | | | |

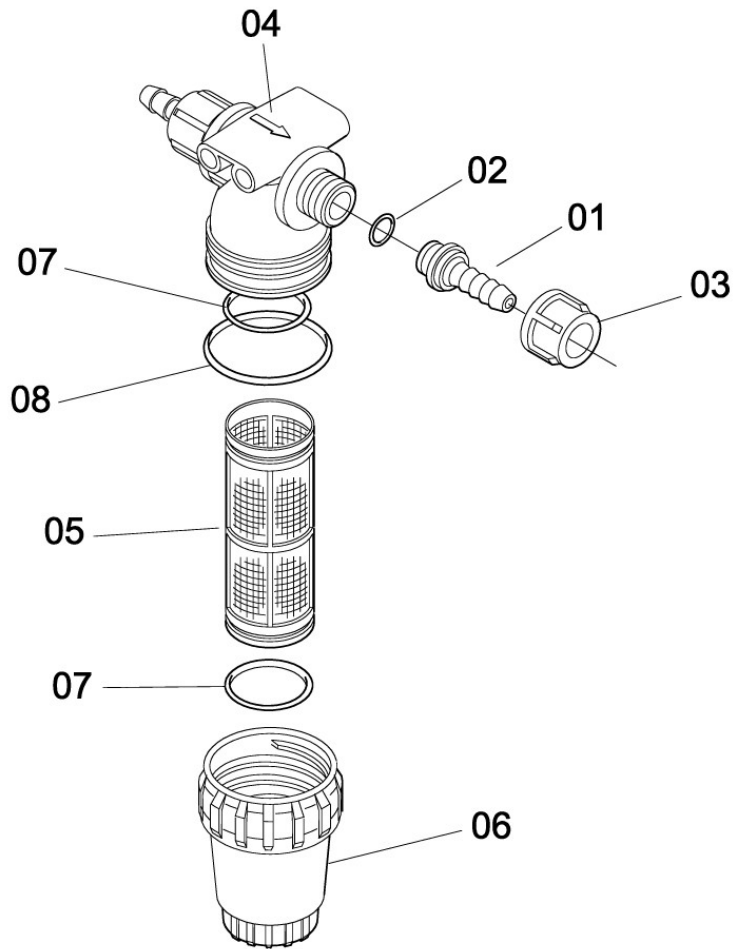
IN LINE FILTER



F-39

| Item | CODE | DESCRIPTION | Qty. | Item | CODE | DESCRIPTION | Qty. |
|------|--------|---|------|------|------|-------------|------|
| 00 | 163469 | In line filter | 1 | | | | |
| 01 | 973792 | In line filter II - 80 mesh - nozzle 1/2" | 1 | | | | |
| 02 | 448894 | Semiclamp | 1 | | | | |
| 03 | 829382 | Hex head bolt M8 x 25 x 1.25 | 2 | | | | |
| 04 | 448910 | Filter support | 1 | | | | |
| 05 | 810770 | Hex. nut M8 x 1.25 | 4 | | | | |
| 06 | 013433 | Flat washer | 2 | | | | |
| 07 | 519736 | Lock washer M8 | 4 | | | | |
| 08 | 358218 | Hex. bolt M8 x 80 x 1.25 | 2 | | | | |

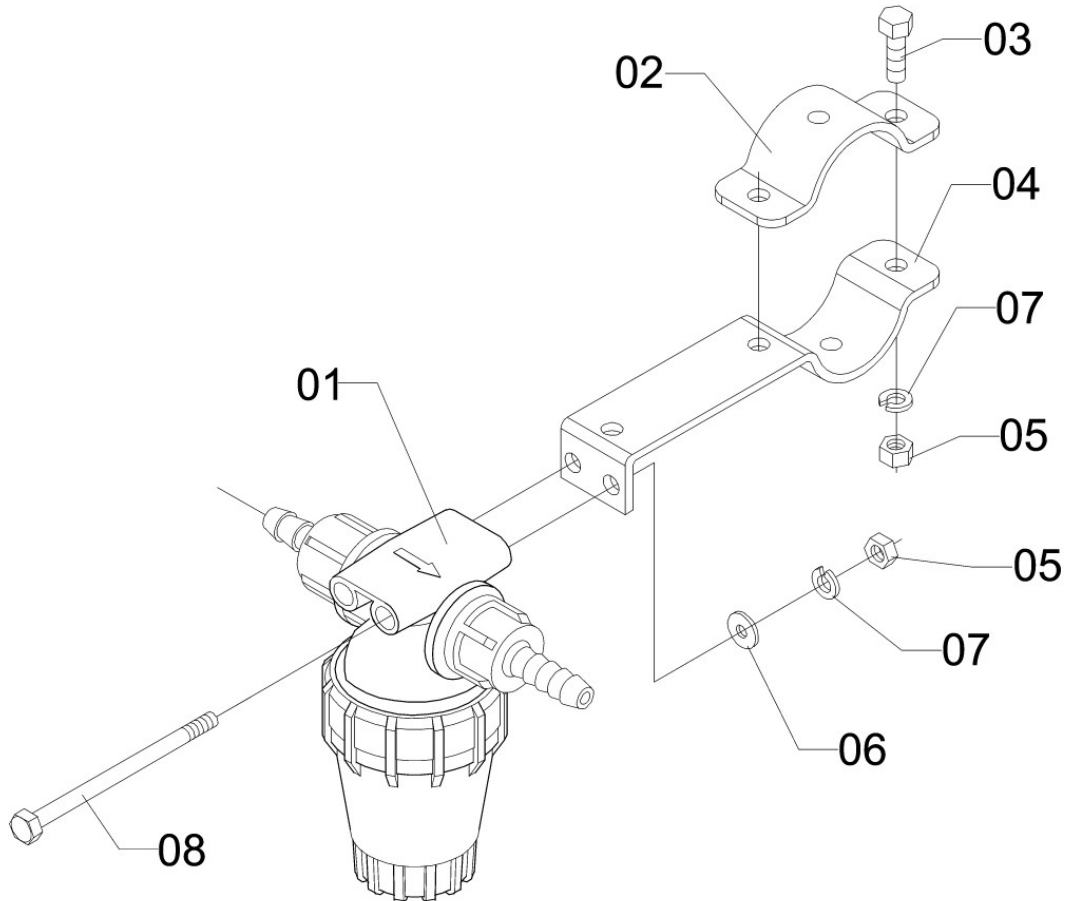
IN-LINE FILTER "II" - 80 MESH - NOZZLE 1/2"



F-12

| Item | CODE | DESCRIPTION | Qty. | Item | CODE | DESCRIPTION | Qty. |
|------|--------|---|------|------|------|-------------|------|
| 00 | 973792 | In-line filter "II" - 80 mesh - Nozzle 1/2" | 1 | | | | |
| 01 | 867085 | Fitting Ø 1/2" with flange Ø 23.6 | 2 | | | | |
| 02 | 322057 | O-ring ORI-114 | 2 | | | | |
| 03 | 874339 | In-line filter nut | 2 | | | | |
| 04 | 873430 | In-line filter body | 1 | | | | |
| 05 | 873455 | Filtering element - 80 mesh | 1 | | | | |
| 06 | 873448 | Filtering element nut | 1 | | | | |
| 07 | 881839 | O-ring OR2-124 | 2 | | | | |
| 08 | 977306 | O-ring OR1-227 | 1 | | | | |

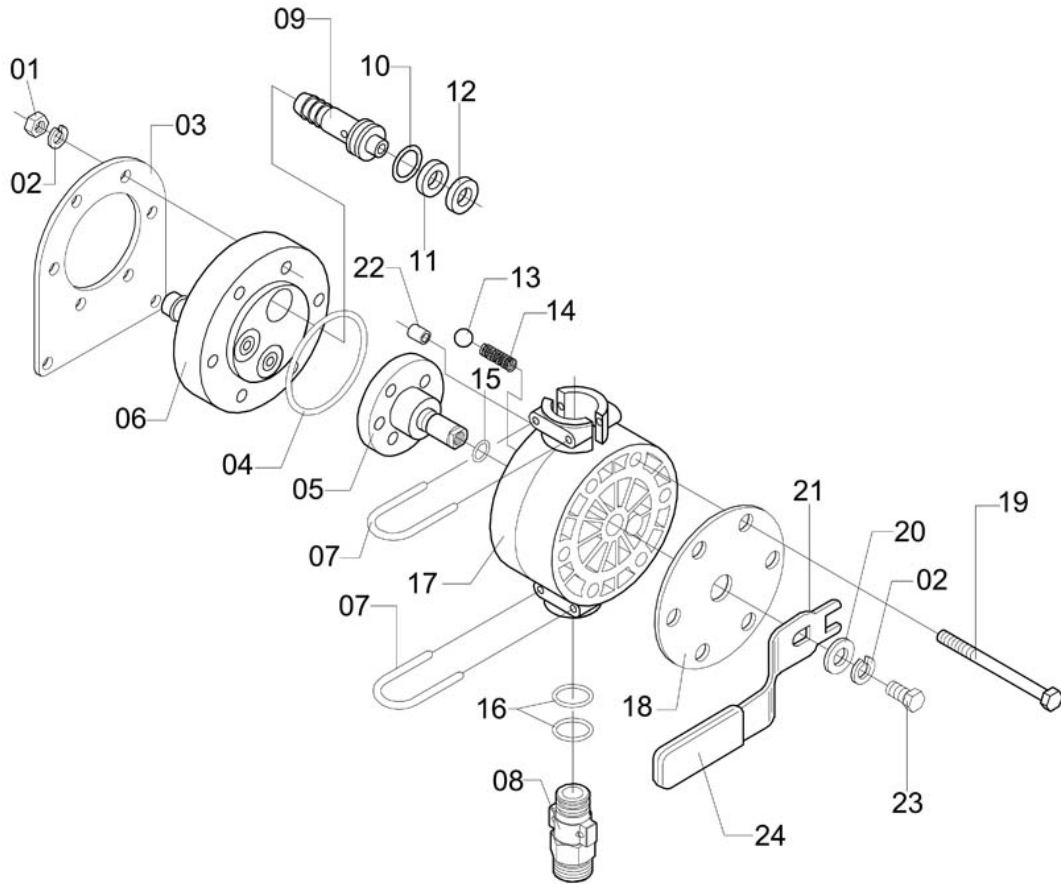
IN LINE FILTER



F-40

| Item | CODE | DESCRIPTION | Qty. | Item | CODE | DESCRIPTION | Qty. |
|------|--------|---|------|------|------|-------------|------|
| 00 | 163477 | In line filter | 1 | | | | |
| 01 | 973792 | In line filter II - 80 mesh - nozzle 1/2" | 1 | | | | |
| 02 | 448894 | Semiclamp | 1 | | | | |
| 03 | 829382 | Hex head bolt M8 x 25 x 1.25 | 2 | | | | |
| 04 | 448886 | Right/left bracket | 1 | | | | |
| 05 | 810770 | Hex. nut M8 x 1.25 | 4 | | | | |
| 06 | 013433 | Flat washer | 2 | | | | |
| 07 | 519736 | Lock washer M8 | 4 | | | | |
| 08 | 358218 | Hex. bolt M8 x 80 x 1.25 | 2 | | | | |

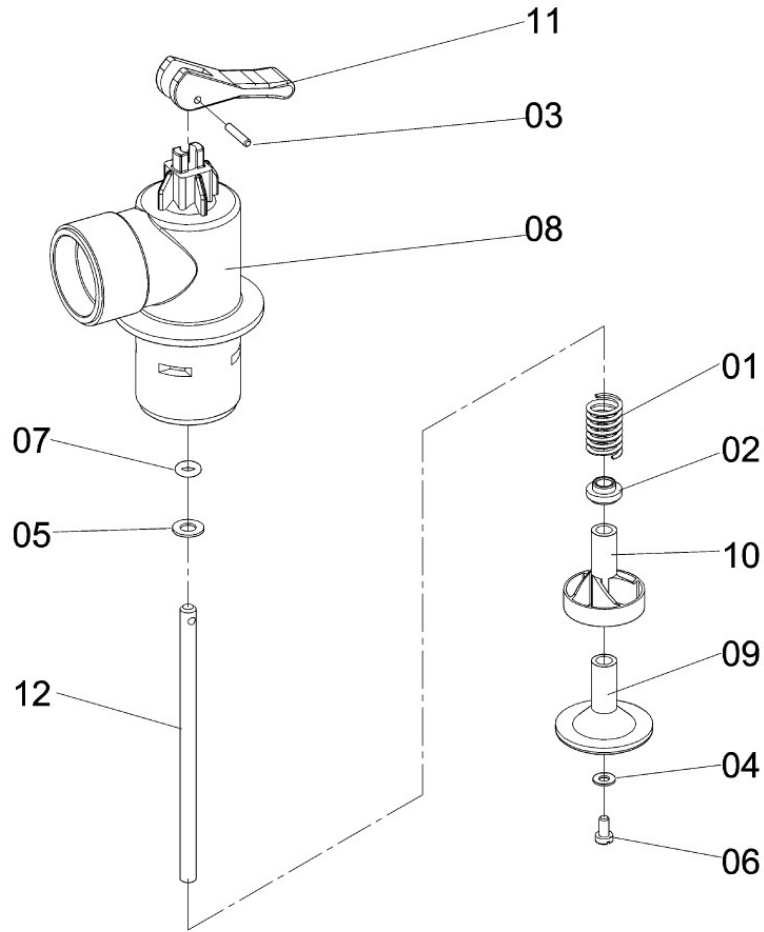
DIRECTIONAL VALVE 2 L/MIN.



CV-335

| Item | CODE | DESCRIPTION | Qty. | Item | CODE | DESCRIPTION | Qty. |
|------|--------|-------------------------------------|------|------|------|-------------|------|
| 00 | 348904 | Directional valve 2 L/Min. | 1 | | | | |
| 01 | 810770 | Hex. nut M-8 x 1.25 | 6 | | | | |
| 02 | 519736 | Lock washer M8 | 7 | | | | |
| 03 | 358382 | Support | 1 | | | | |
| 04 | 358242 | O-ring ORI - 142 | 1 | | | | |
| 05 | 348805 | Distributor | 1 | | | | |
| 06 | 333096 | Valve cover | 1 | | | | |
| 07 | 348771 | Lock | 2 | | | | |
| 08 | 170399 | Male fitting \varnothing 3/4" BSP | 1 | | | | |
| 09 | 346130 | Hose fitting \varnothing 1/4" | 3 | | | | |
| 10 | 706796 | O-ring OR1-114 | 4 | | | | |
| 11 | 414771 | O-ring \varnothing 20 x 11 x 3.0 | 3 | | | | |
| 12 | 348813 | Packing ring | 3 | | | | |
| 13 | 358234 | Ball \varnothing 1/2" | 1 | | | | |
| 14 | 411603 | Compression spring | 1 | | | | |
| 15 | 416669 | O-ring OR1-110 | 1 | | | | |
| 16 | 358226 | O-ring ORI - 116 | 4 | | | | |
| 17 | 333039 | Valve body | 1 | | | | |
| 18 | 348763 | Plate | 1 | | | | |
| 19 | 358218 | Hex. bolt M8 x 80 x 1.25 | 6 | | | | |
| 20 | 013433 | Flat washer | 1 | | | | |
| 21 | 348870 | Lever | 1 | | | | |
| 22 | 555037 | Bushing | 1 | | | | |
| 23 | 033696 | Hex. head bolt M8 x 12 x 1.25 | 1 | | | | |
| 24 | 945964 | Lever handgrip | 1 | | | | |

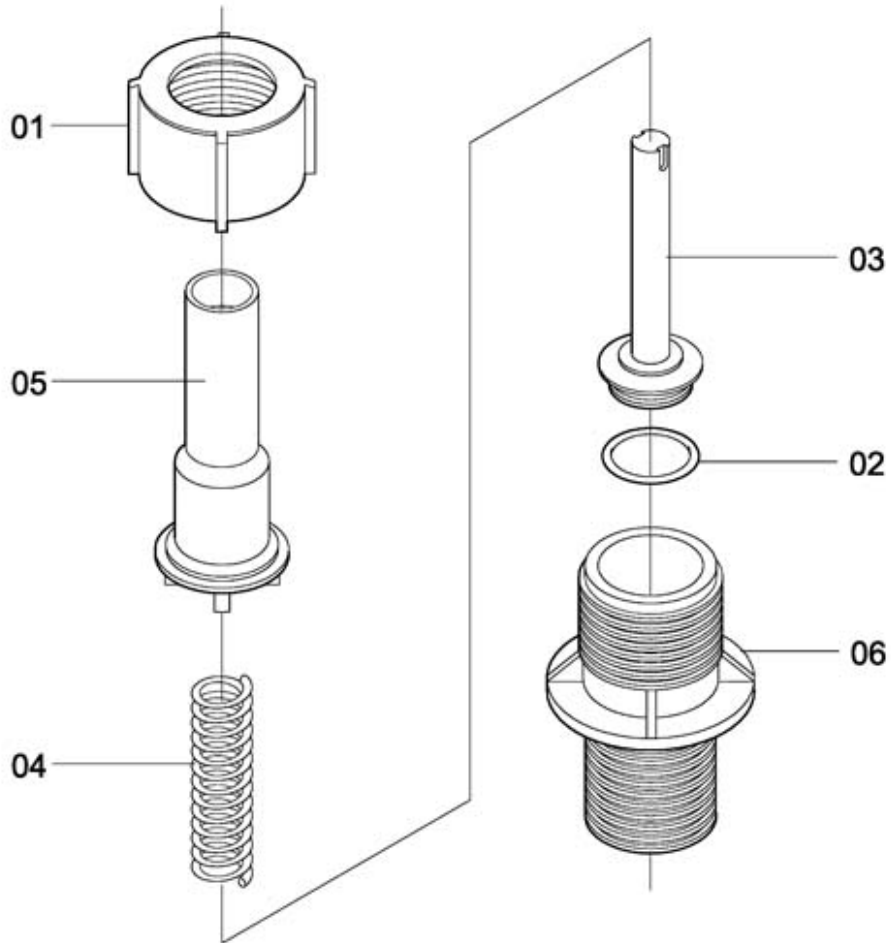
DIRECTIONAL VALVE



CV-167

| Item | CODE | DESCRIPTION | Qty. | Item | CODE | DESCRIPTION | Qty. |
|------|--------|---|------|------|------|-------------|------|
| 00 | 054395 | Directional valve | 1 | | | | |
| 01 | 044057 | Compression spring 12.7 | 1 | | | | |
| 02 | 048199 | Seal | 1 | | | | |
| 03 | 049858 | Lever pin | 1 | | | | |
| 04 | 050187 | Flat washer 43 x 90 x 8 | 1 | | | | |
| 05 | 050195 | Flat washer 64 x 125 x 95 stainless steel | 1 | | | | |
| 06 | 050211 | Screw M4 x 8 | 1 | | | | |
| 07 | 050237 | O-ring OR2-108 | 1 | | | | |
| 08 | 054403 | Valve body | 1 | | | | |
| 09 | 054429 | Piston cup | 1 | | | | |
| 10 | 054437 | Guide | 1 | | | | |
| 11 | 054445 | Rinse nozzle lever | 1 | | | | |
| 12 | 054452 | Spring Guide Pin | 1 | | | | |

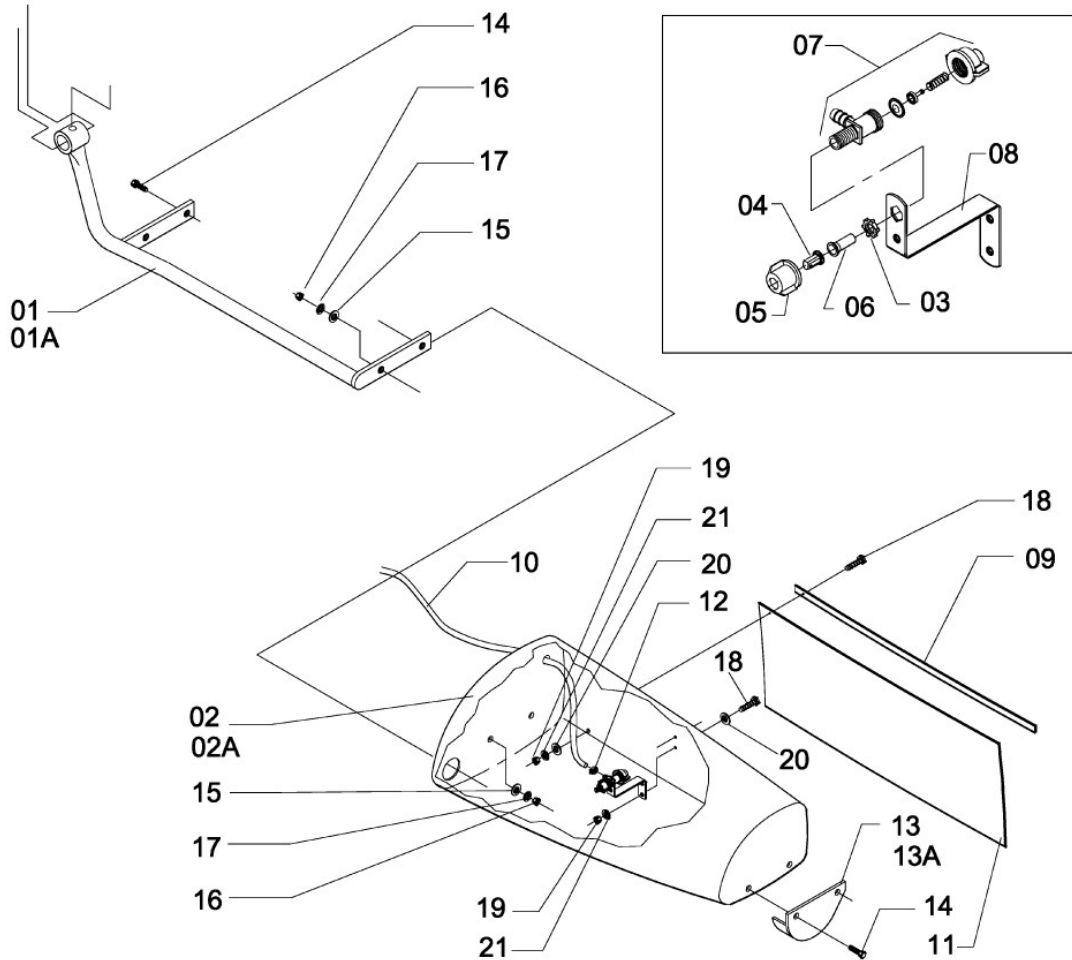
TRANSFER VALVE



CV-70

| Item | CODE | DESCRIPTION | Qty. | Item | CODE | DESCRIPTION | Qty. |
|------|--------|--------------------|------|------|------|-------------|------|
| 00 | 841056 | Transfer valve | 1 | | | | |
| 01 | 005884 | Nut 1.1/4" BSP | 1 | | | | |
| 02 | 210146 | O-ring OR1-117 | 1 | | | | |
| 03 | 840975 | Spring guide | 1 | | | | |
| 04 | 840983 | Compression spring | 1 | | | | |
| 05 | 840991 | Valve body | 1 | | | | |
| 06 | 841049 | Valve base | 1 | | | | |

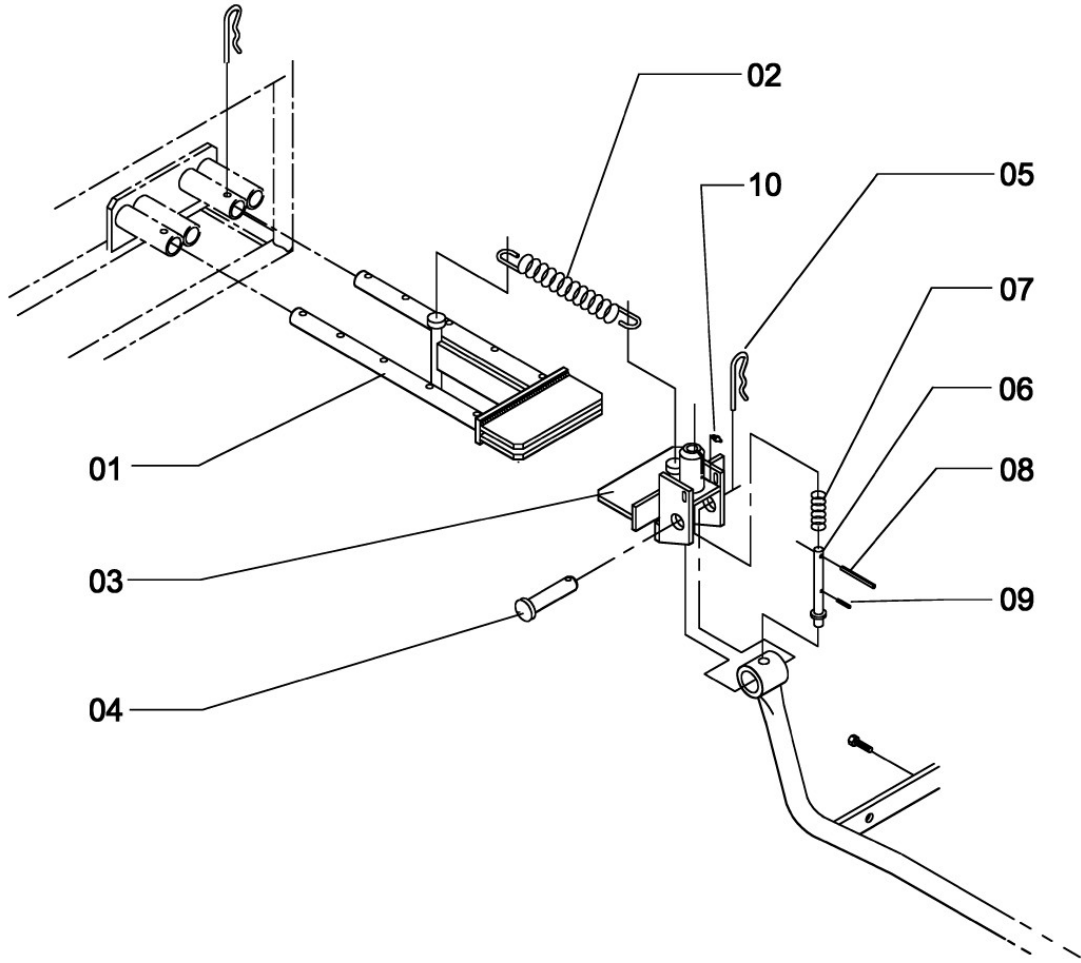
RIGHT/LEFT WING ASSEMBLY



CA-79

| Item | CODE | DESCRIPTION | Qty. | Item | CODE | DESCRIPTION | Qty. |
|------|-----------|---|------|------|--------|--------------------------------|------|
| 00 | 879015 | Right wing assembly | 1 | 21 | 910117 | Lock washer \varnothing 1/4" | 18 |
| 00A | 879023 | Left wing assembly | 1 | | | | |
| 01 | 975763 | Right support | 1 | | | | |
| 01A | 975789 | Left support | 1 | | | | |
| 02 | 958876 | Right wing | 1 | | | | |
| 02A | 958868 | Left wing | 1 | | | | |
| 03 | 333823 | Round nut | 2 | | | | |
| 04 | 457374 | Nozzle DEF-015 | 2 | | | | |
| 05 | 710590 | Nozzle cap | 2 | | | | |
| 06 | 601641 | Nozzle filter | 2 | | | | |
| 07 | 440206 | Single nozzle holder (end) with nondrip valve | 2 | | | | |
| 08 | 975615 | Nozzle holder support | 2 | | | | |
| 09 | 975862 | Wing shield fastener | 2 | | | | |
| 10 | 919998318 | Wing shield | m | | | | |
| 11 | 958942 | Wing shield | 2 | | | | |
| 12 | 107664 | Clamp D14-22 - stainless steel | 2 | | | | |
| 13 | 736223 | Right pad | 2 | | | | |
| 13A | 736231 | Left pad | 2 | | | | |
| 14 | 518753 | Bolt 3/8" - 16 UNC x 1.1/4" | 8 | | | | |
| 15 | 518761 | Hex. nut \varnothing 3/8" | 8 | | | | |
| 16 | 908566 | Lock washer \varnothing 3/8" | 8 | | | | |
| 17 | 422436 | Flat washer 104 x 254 x 19 | 8 | | | | |
| 18 | 009977 | Bolt 1/4" - 20 UNC | 18 | | | | |
| 19 | 912741 | Nut \varnothing 1/4" - 20 UNC | 18 | | | | |
| 20 | 413468 | Flat washer 68 x 190 x 12 | 18 | | | | |

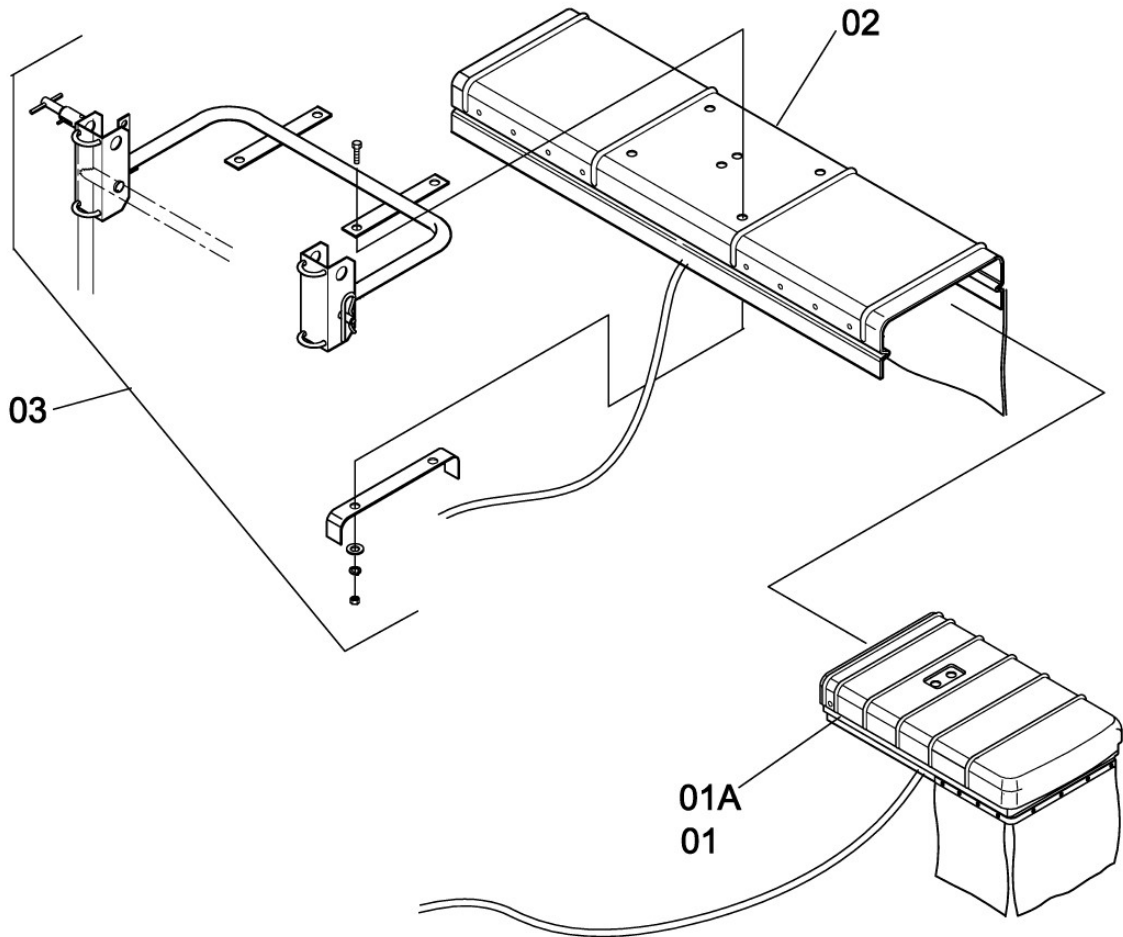
ADJUSTABLE BOOM



CA-78

| Item | CODE | DESCRIPTION | Qty. | Item | CODE | DESCRIPTION | Qty. |
|------|--------|-----------------------------|------|------|------|-------------|------|
| 00 | 975920 | Adjustable boom | 1 | | | | |
| 01 | 854638 | Adjustable boom | 1 | | | | |
| 02 | 412973 | Boom support spring | 2 | | | | |
| 03 | 975748 | Articulator | 1 | | | | |
| 04 | 602912 | Coupling pin | 1 | | | | |
| 05 | 312975 | Cotter pin 3/16" x 185 | 1 | | | | |
| 06 | 104513 | Frame lock | 1 | | | | |
| 07 | 104505 | Compression spring | 1 | | | | |
| 08 | 104588 | Flexible pin | 1 | | | | |
| 09 | 910224 | Flexible pin ø 8 x 60 | 1 | | | | |
| 10 | 910463 | Grease nipple 1/4" - 28 UNF | 1 | | | | |

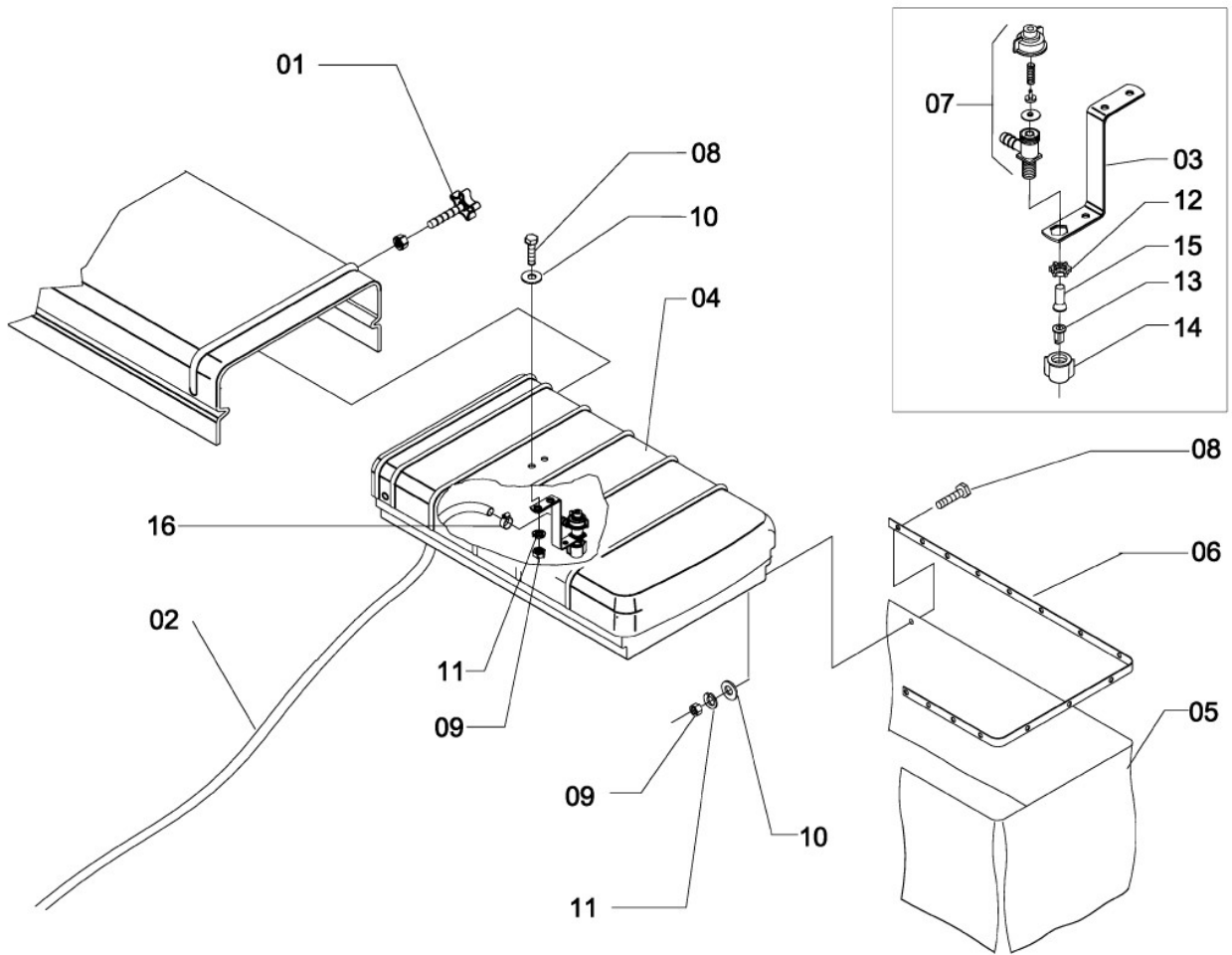
REAR SHIELD ASSEMBLY



CA-100

| Item | CODE | DESCRIPTION | Qty. | Item | CODE | DESCRIPTION | Qty. |
|------|--------|------------------------|------|------|------|-------------|------|
| 00 | 052589 | Rear guard assembly | 1 | | | | |
| 01 | 975813 | Right side guard | 1 | | | | |
| 01A | 975805 | Left side guard | 1 | | | | |
| 02 | 052712 | Central guard assembly | 1 | | | | |
| 03 | 052597 | Rear guard support | 1 | | | | |

RIGHT/LEFT SIDE SHIELD

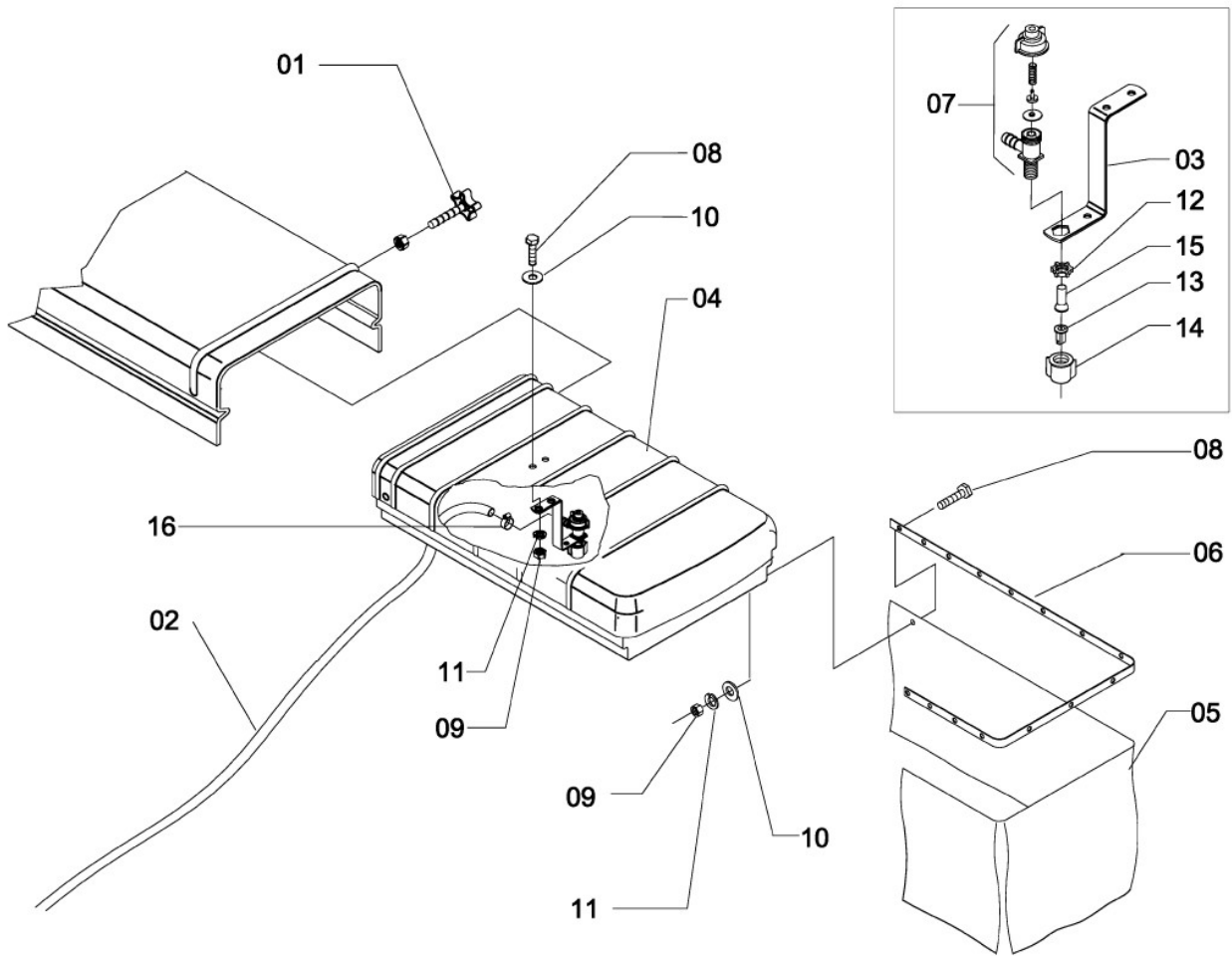


CA-76

| Item | CODE | DESCRIPTION | Qty. |
|------|--------|------------------|------|
| 00 | 975813 | Right side guard | 1 |

| Item | CODE | DESCRIPTION | Qty. |
|------|------|-------------|------|
|------|------|-------------|------|

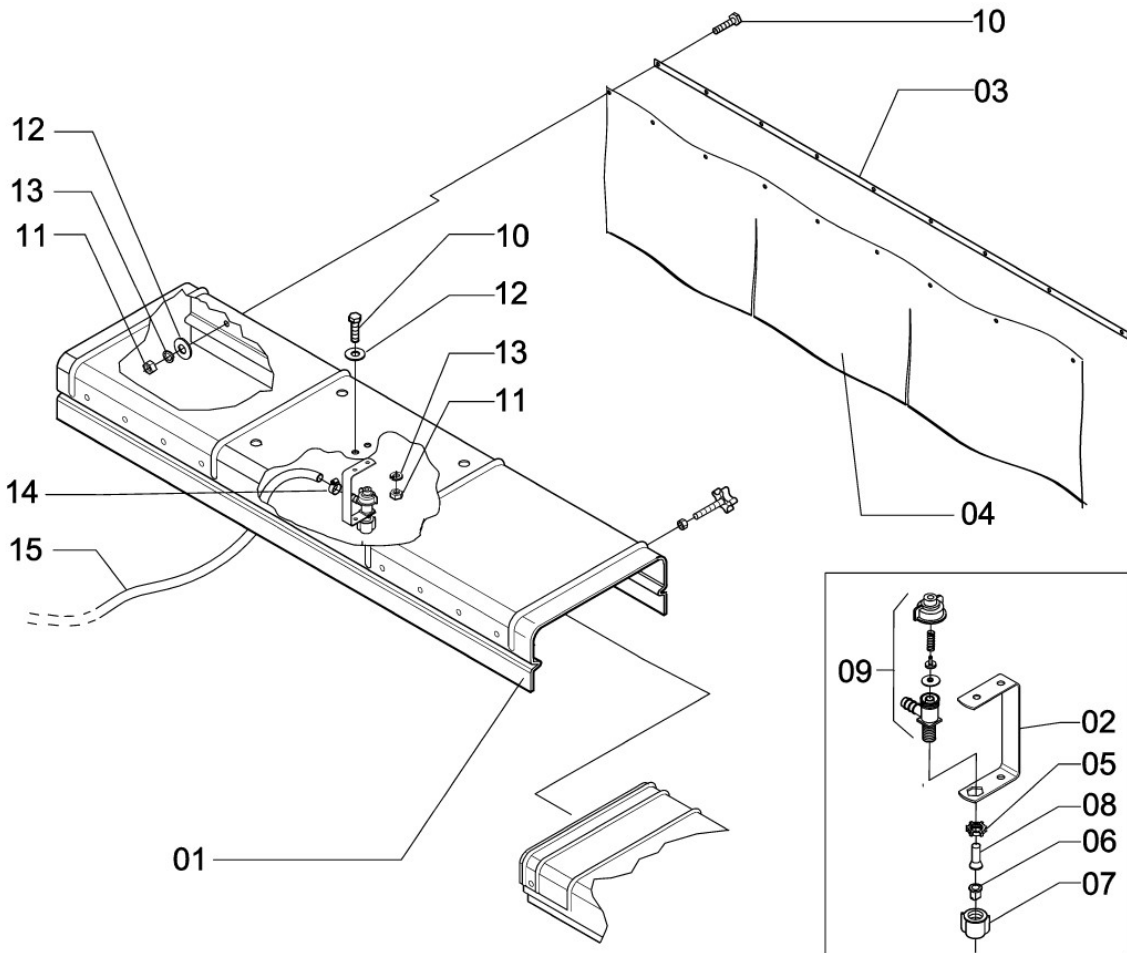
RIGHT/LEFT SIDE SHIELD



CA-76

| Item | CODE | DESCRIPTION | Qty. | Item | CODE | DESCRIPTION | Qty. |
|------|-----------|---|------|------|------|-------------|------|
| 00 | 975805 | Left side guard | 1 | | | | |
| 00A | 975813 | Right side guard | 1 | | | | |
| 01 | 025817 | Knobbed screw (stainless steel) | 2 | | | | |
| 02 | 919998318 | | m | | | | |
| 03 | 975615 | Nozzle holder support | 2 | | | | |
| 04 | 959627 | Right and side body | 2 | | | | |
| 04A | 976167 | Left and side body | 2 | | | | |
| 05 | 975896 | Side shield | 2 | | | | |
| 06 | 975904 | Side shield fastener | 2 | | | | |
| 07 | 440206 | Single nozzle holder (end) with nondrip valve | 2 | | | | |
| 08 | 009977 | Bolt 1/4" - 20 UNC | 24 | | | | |
| 09 | 912741 | Nut ø 1/4" - 20 UNC | 24 | | | | |
| 10 | 413468 | Flat washer 68 x 190 x 12 | 24 | | | | |
| 11 | 910117 | Lock washer ø 1/4" | 24 | | | | |
| 12 | 333823 | Round nut | 2 | | | | |
| 13 | 457374 | Nozzle DEF-015 | 2 | | | | |
| 14 | 710590 | Nozzle cap | 2 | | | | |
| 15 | 601641 | Nozzle filter | 2 | | | | |
| 16 | 107664 | Clamp D14-22 - stainless steel | 2 | | | | |

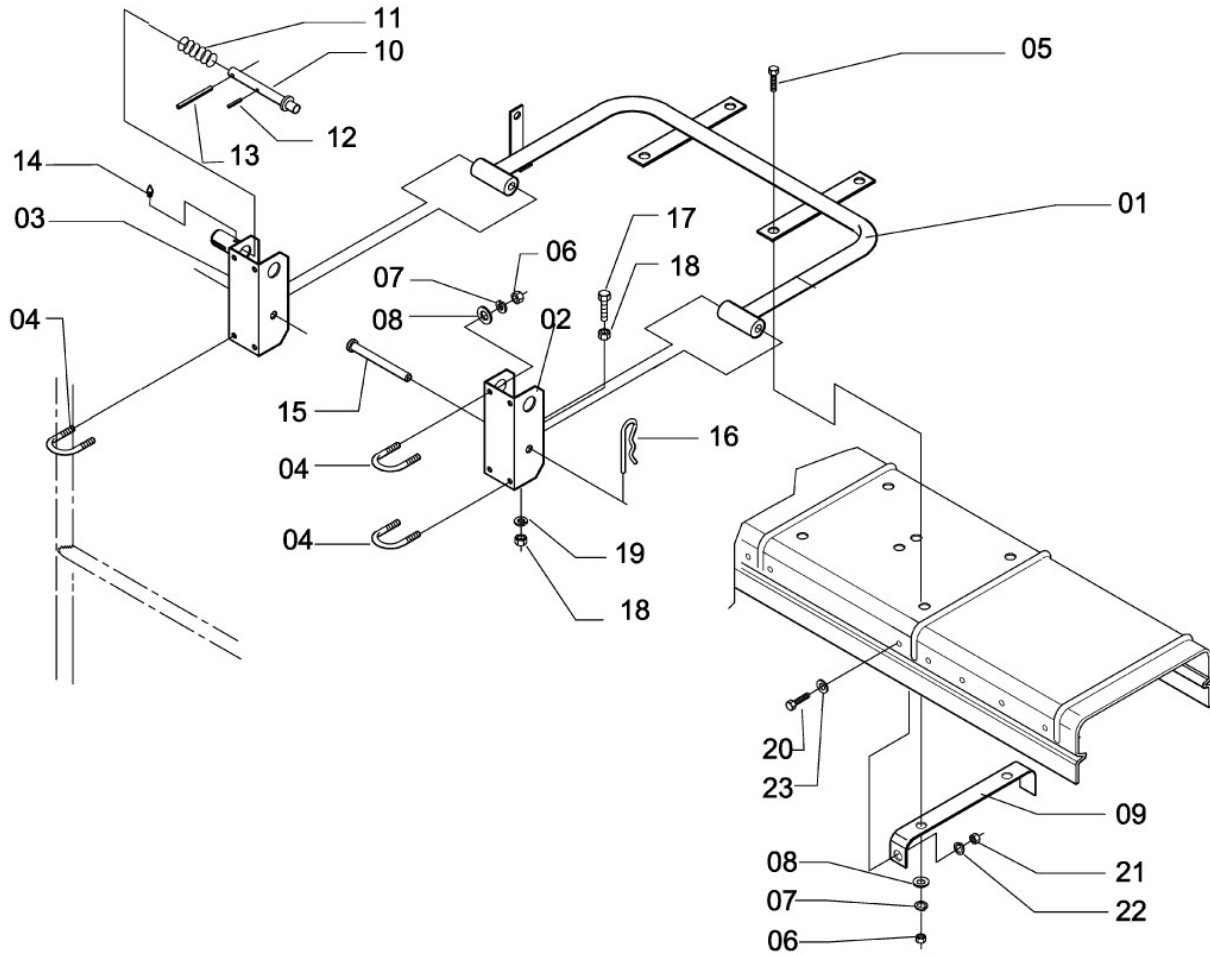
CENTRAL SHIELD



CA-102

| Item | CODE | DESCRIPTION | Qty. | Item | CODE | DESCRIPTION | Qty. |
|------|-----------|---|------|------|------|-------------|------|
| 00 | 052712 | Central guard assembly | 1 | | | | |
| 01 | 052720 | Central body | 1 | | | | |
| 02 | 975615 | Nozzle holder support | 1 | | | | |
| 03 | 975888 | Central shield fastener | 1 | | | | |
| 04 | 975870 | Central shield | 1 | | | | |
| 05 | 333823 | Round nut | 1 | | | | |
| 06 | 564393 | Flat fan nozzle 110 UF-015 | 1 | | | | |
| 07 | 710590 | Nozzle cap | 1 | | | | |
| 08 | 601641 | Nozzle filter | 1 | | | | |
| 09 | 440206 | Single nozzle holder (end) with nondrip valve | 1 | | | | |
| 10 | 007229 | Bolt 1/4" x 20 UNC x 3/4" | 11 | | | | |
| 11 | 912741 | Nut ø 1/4" - 20 UNC | 11 | | | | |
| 12 | 413468 | Flat washer 68 x 190 x 12 | 11 | | | | |
| 13 | 910117 | Lock washer ø 1/4" | 11 | | | | |
| 14 | 107664 | Clamp D14-22 - stainless steel | 1 | | | | |
| 15 | 919998318 | | m | | | | |

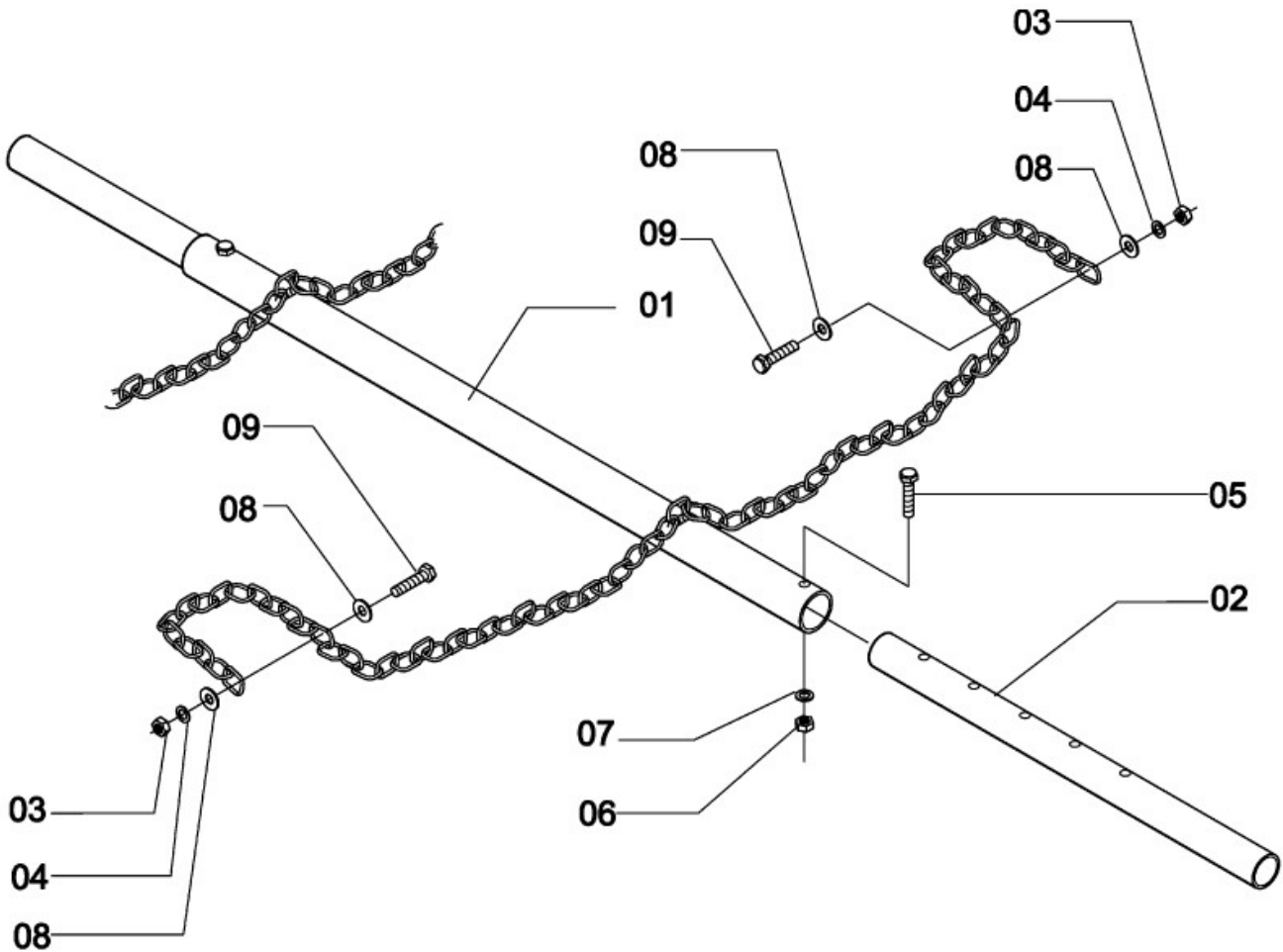
REAR SHIELD SUPPORT



CA-103

| Item | CODE | DESCRIPTION | Qty. | Item | CODE | DESCRIPTION | Qty. |
|------|--------|---|------|------|------|-------------|------|
| 00 | 052597 | Rear guard support | 1 | | | | |
| 01 | 052605 | Guard support | 1 | | | | |
| 02 | 975698 | Left support | 1 | | | | |
| 03 | 975680 | Right support | 1 | | | | |
| 04 | 015685 | Clip 168 | 4 | | | | |
| 05 | 518753 | Bolt 3/8" - 16 UNC x 1.1/4" | 4 | | | | |
| 06 | 518761 | Hex. nut \varnothing 3/8" | 12 | | | | |
| 07 | 908566 | Lock washer \varnothing 3/8" | 12 | | | | |
| 08 | 422436 | Flat washer 104 x 254 x 19 | 12 | | | | |
| 09 | 976464 | Internal support | 2 | | | | |
| 10 | 104513 | Frame lock | 1 | | | | |
| 11 | 104505 | Compression spring | 1 | | | | |
| 12 | 104588 | Flexible pin | 1 | | | | |
| 13 | 910224 | Flexible pin \varnothing 8 x 60 | 1 | | | | |
| 14 | 910463 | Grease nipple 1/4" - 28 UNF | 1 | | | | |
| 15 | 602912 | Coupling pin | 2 | | | | |
| 16 | 312975 | Cotter pin 3/16" x 185 | 2 | | | | |
| 17 | 023853 | Bolt \varnothing 1/2" - 13 UNC x 1.1/2" | 1 | | | | |
| 18 | 912790 | Hex. nut 1/2" - 13 UNC | 2 | | | | |
| 19 | 908582 | Lock washer 1/2" | 1 | | | | |
| 20 | 836502 | Screw 5/16" - 18 UNC x 1" | 4 | | | | |
| 21 | 912758 | Hex. nut 5/16" - 18 UNC | 4 | | | | |
| 22 | 519736 | Lock washer M8 | 4 | | | | |
| 23 | 733253 | Flat washer 82 x 254 x 15 | 4 | | | | |

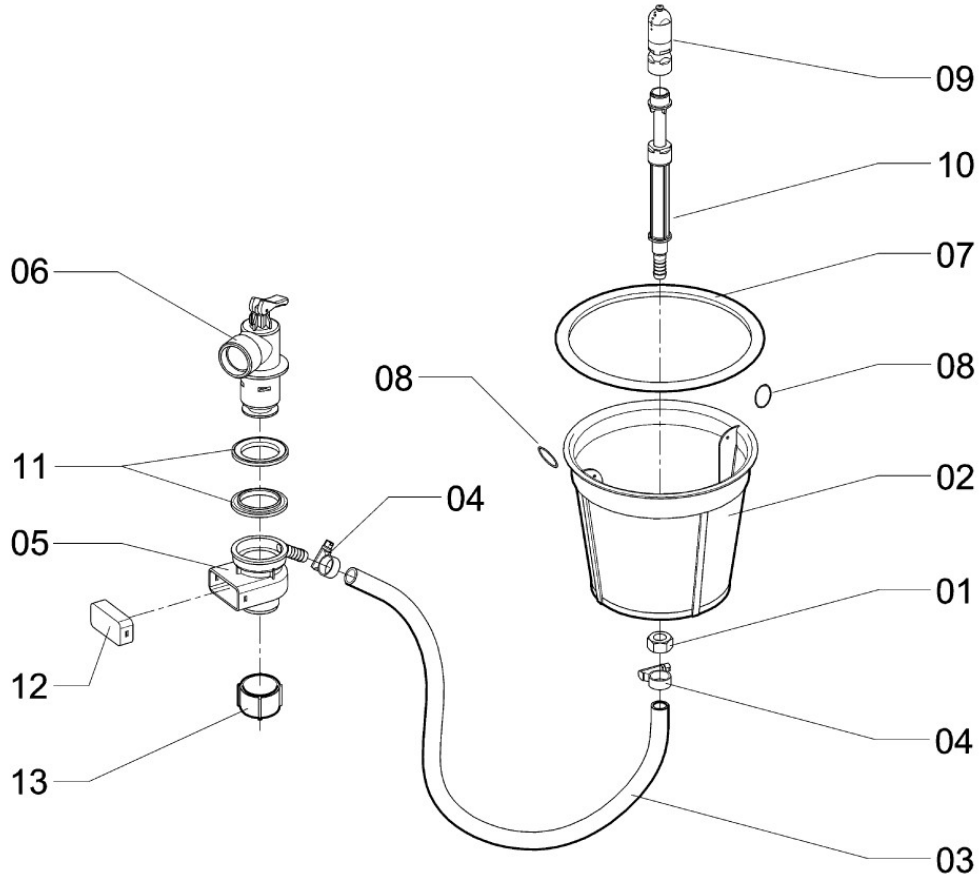
GRASS LIE-DOWN BAR PH



CA-74

| Item | CODE | DESCRIPTION | Qty. | Item | CODE | DESCRIPTION | Qty. |
|------|--------|------------------------------|------|------|------|-------------|------|
| 00 | 959197 | Grass lie-down bar PH | 1 | | | | |
| 01 | 506022 | Central grass lie-down bar | 1 | | | | |
| 02 | 901710 | Side grass lie-down bar | 2 | | | | |
| 03 | 209205 | Hex. nut M10 x 1,50 | 2 | | | | |
| 04 | 209395 | Lock washer M10 | 2 | | | | |
| 05 | 520726 | Hex head bolt M8 x 60 x 1.25 | 2 | | | | |
| 06 | 810770 | Hex. nut M8 x 1.25 | 2 | | | | |
| 07 | 519736 | Lock washer M8 | 2 | | | | |
| 08 | 623884 | Flat washer 105 x 210 x 20 | 4 | | | | |
| 09 | 829515 | Hex. bolt M10 x 30 x 1.5 | 2 | | | | |

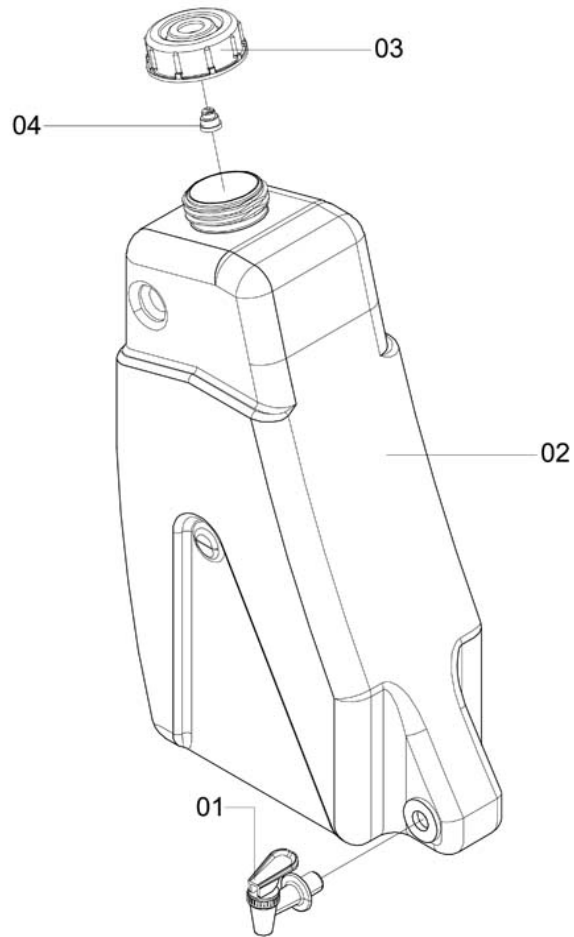
CHEMICAL CONTAINERS RINSE NOZZLE NO. 6



KIT-53

| Item | CODE | DESCRIPTION | Qty. | Item | CODE | DESCRIPTION | Qty. |
|------|--------|--|------|------|------|-------------|------|
| 00 | 132761 | Chemical containers rinse nozzle no. 6 | 1 | | | | |
| 01 | 938498 | Hex. nut M16 x 2.00 | 1 | | | | |
| 02 | 061788 | Strainer 190-2T | 1 | | | | |
| 03 | 071886 | Hose 12.7 (1/2") x 600 | 1 | | | | |
| 04 | 107664 | Clamp D14-22 - stainless steel | 2 | | | | |
| 05 | 132753 | Fixador da Válvula | 1 | | | | |
| 06 | 054395 | Directional valve | 1 | | | | |
| 07 | 516393 | Strainer packing ring | 1 | | | | |
| 08 | 622969 | Double ring \varnothing 22 x 26 x 3 | 2 | | | | |
| 09 | 071944 | Rinse nozzle | 1 | | | | |
| 10 | 088237 | Chemical container rinse nozzle rod | 1 | | | | |
| 11 | 088245 | Packing ring | 2 | | | | |
| 12 | 097410 | Valve fastener plug | 1 | | | | |
| 13 | 005884 | Nut 1.1/4" BSP | 1 | | | | |

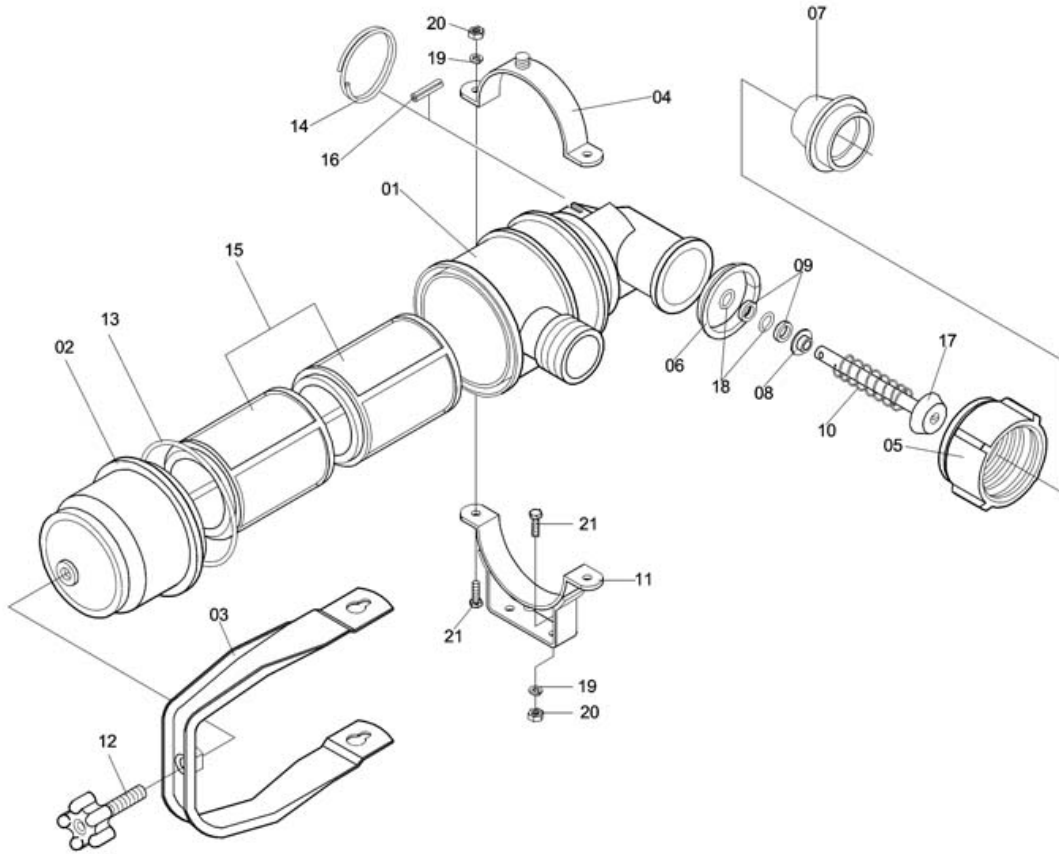
15-LITER TANK- LEFT



D-112

| Item | CODE | DESCRIPTION | Qty. | Item | CODE | DESCRIPTION | Qty. |
|------|--------|---------------------------|------|------|------|-------------|------|
| 00 | 133215 | 15-liter tank- left | 1 | | | | |
| 01 | 044180 | Plastic tap 23 x 3/8" BSP | 1 | | | | |
| 02 | 134064 | 15-liter tank - left | 1 | | | | |
| 03 | 122648 | Lid ø 67 | 1 | | | | |
| 04 | 247270 | Breather | 1 | | | | |

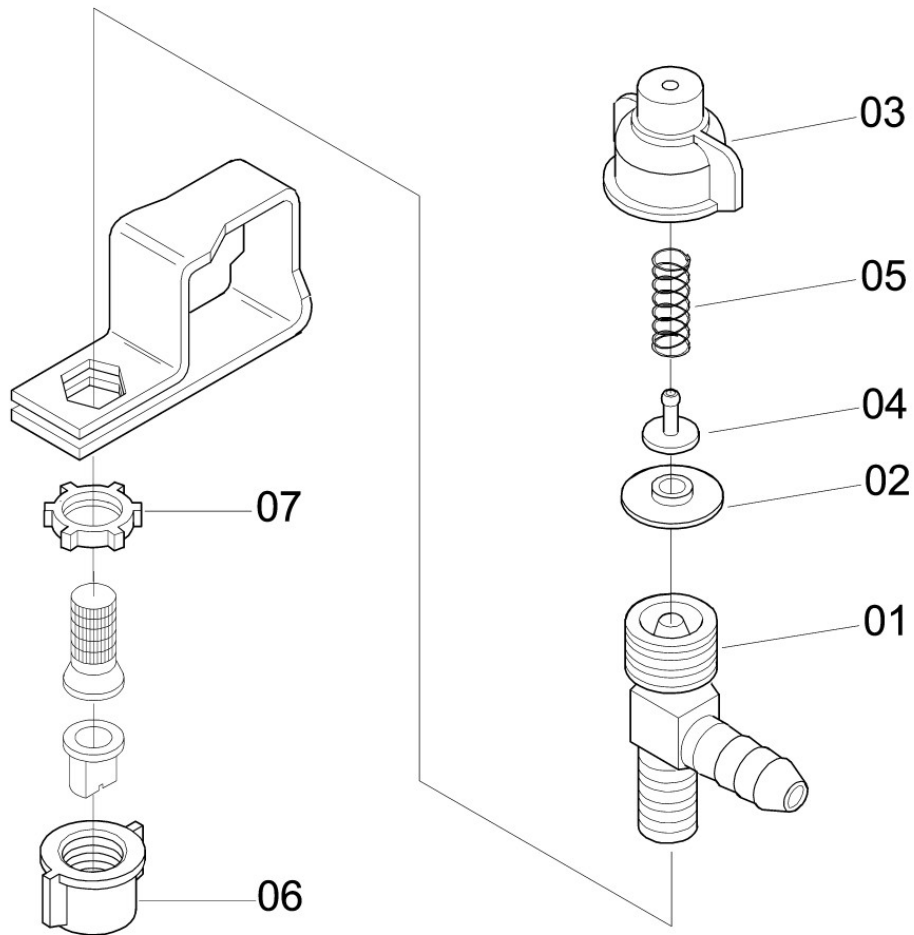
FILTER FVS-100



F-38

| Item | CODE | DESCRIPTION | Qty. | Item | CODE | DESCRIPTION | Qty. |
|------|--------|---|------|------|------|-------------|------|
| 00 | 005777 | Filter FVS-100 | 1 | | | | |
| 01 | 005785 | Filter body | 1 | | | | |
| 02 | 005793 | Filter cover | 1 | | | | |
| 03 | 005827 | Filter handle | 1 | | | | |
| 04 | 005850 | Half-strap | 1 | | | | |
| 05 | 005900 | Coupling nut filter | 1 | | | | |
| 06 | 005918 | Locking ring | 1 | | | | |
| 07 | 005934 | Valve seat | 1 | | | | |
| 08 | 005967 | Spring seat | 1 | | | | |
| 09 | 005975 | Spacer washer | 2 | | | | |
| 10 | 006148 | Compression spring | 1 | | | | |
| 11 | 010967 | Half-strap with support | 1 | | | | |
| 12 | 011734 | Bolt with knob | 1 | | | | |
| 13 | 012138 | O-ring ORI - 241 | 1 | | | | |
| 14 | 012146 | Ring \varnothing 40 | 1 | | | | |
| 15 | 012492 | Double filtering element | 1 | | | | |
| 16 | 105288 | Flexible pin \varnothing 4 x 20 (heavy) | 1 | | | | |
| 17 | 110817 | Valve | 1 | | | | |
| 18 | 416669 | O-ring OR1-110 | 2 | | | | |
| 19 | 521666 | Lock washer M6 | 4 | | | | |
| 20 | 730309 | Hex. nut M6 x 1.00 - Steel | 4 | | | | |
| 21 | 810697 | Bolt M6 x 1 x 20 | 4 | | | | |

SINGLE NOZZLE HOLDER (END) WITH NONDRIP VALVE



BC-39

| Item | CODE | DESCRIPTION | Qty. | Item | CODE | DESCRIPTION | Qty. |
|------|--------|---|------|------|------|-------------|------|
| 00 | 440206 | Single nozzle holder (end) with nondrip valve | 1 | | | | |
| 01 | 440941 | Nozzle holder | 1 | | | | |
| 02 | 333138 | Diaphragm - viton | 1 | | | | |
| 03 | 333120 | Valve cap | 1 | | | | |
| 04 | 333112 | Piston cup | 1 | | | | |
| 05 | 333153 | Compression spring | 1 | | | | |
| 06 | 710590 | Nozzle cap | 1 | | | | |
| 07 | 333823 | Round nut | 1 | | | | |

STICKER: "PH-400 SA"

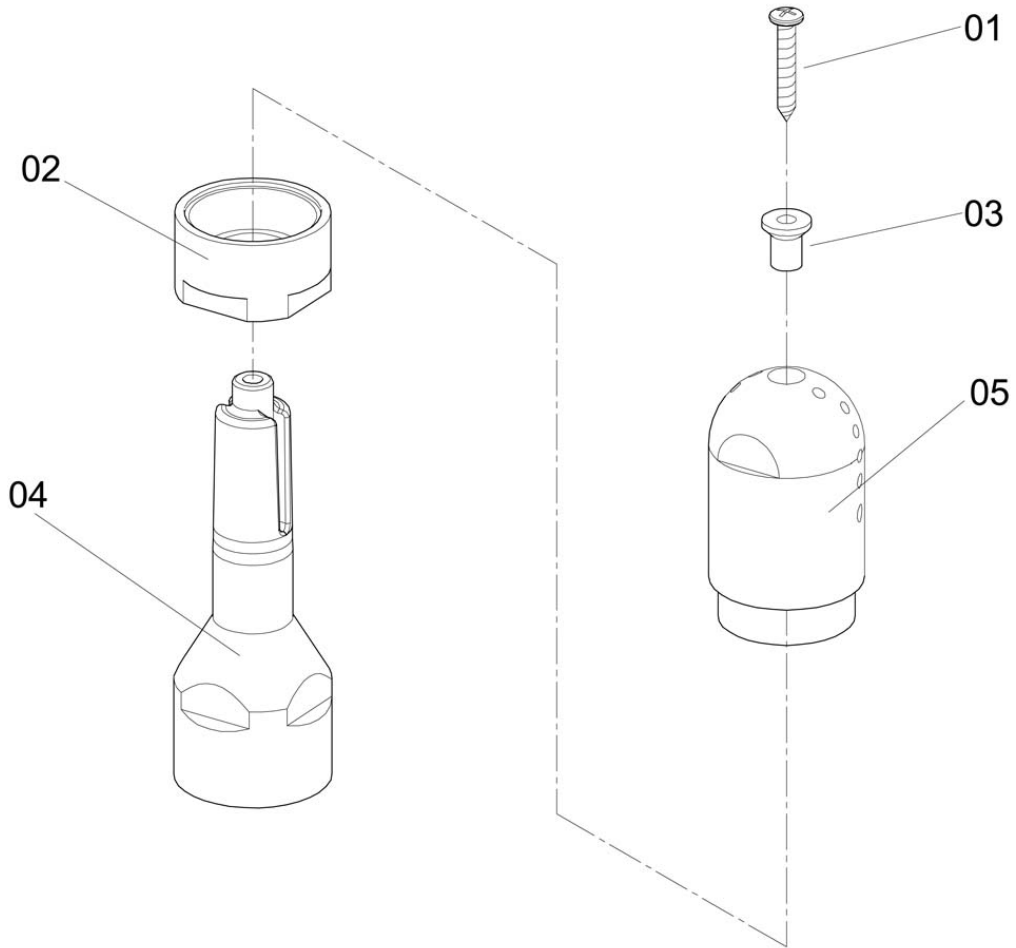
01

ph-400sa

ADS-42

| Item | CODE | DESCRIPTION | Qty. | Item | CODE | DESCRIPTION | Qty. |
|------|--------|----------------------|------|------|------|-------------|------|
| 00 | 868034 | Sticker: "PH-400 SA" | 1 | | | | |
| 01 | 868034 | Sticker: "PH-400 SA" | | | | | |

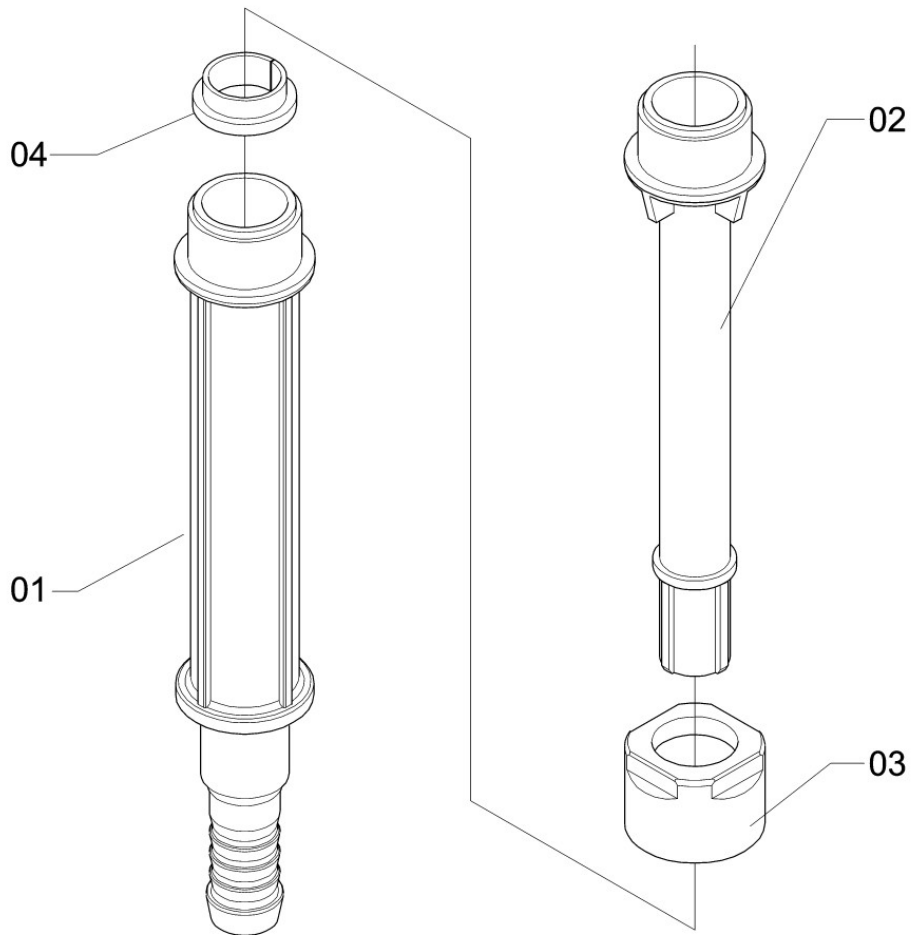
RINSE NOZZLE



KIT-75

| Item | CODE | DESCRIPTION | Qty. | Item | CODE | DESCRIPTION | Qty. |
|------|--------|---------------|------|------|------|-------------|------|
| 00 | 071944 | Rinse nozzle | 1 | | | | |
| 01 | 483628 | Bolt 2.9 x 22 | 1 | | | | |
| 02 | 059055 | Nozzle nut | 1 | | | | |
| 03 | 061119 | Bushing | 1 | | | | |
| 04 | 058909 | Nozzle core | 1 | | | | |
| 05 | 060426 | Nozzle body | 1 | | | | |

CHEMICAL CONTAINER RINSE NOZZLE ROD



KIT-76

| Item | CODE | DESCRIPTION | Qty. |
|------|--------|-------------------------------------|------|
| 00 | 088237 | Chemical container rinse nozzle rod | 1 |
| 01 | 058834 | Nozzle rod | 1 |
| 02 | 083907 | Rod extension | 1 |
| 03 | 087882 | Extension nut | 1 |
| 04 | 134221 | Lock ring | 1 |

| Item | CODE | DESCRIPTION | Qty. |
|------|------|-------------|------|
| | | | |
| | | | |
| | | | |
| | | | |