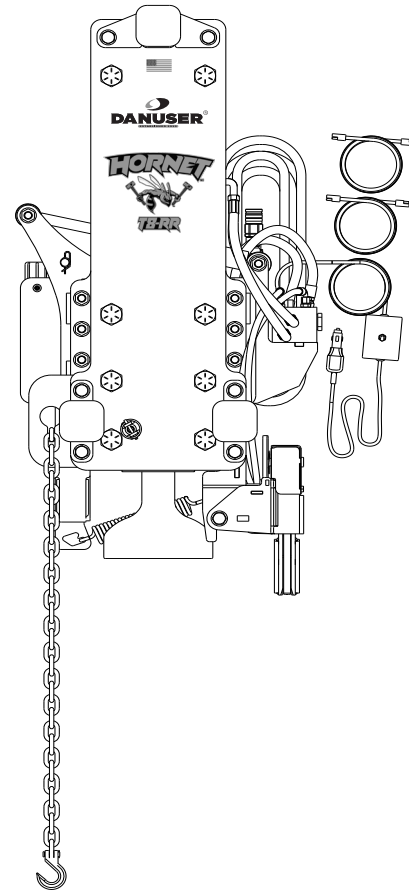
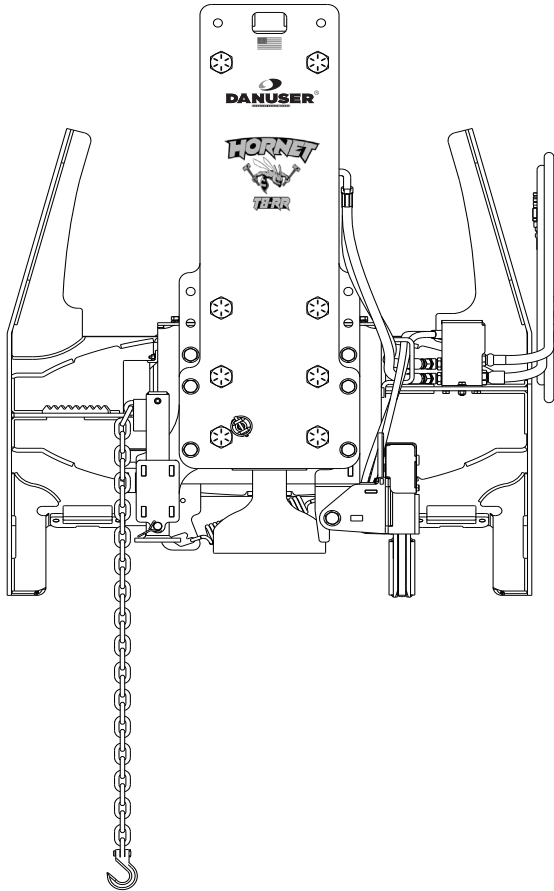


HORNET POST DRIVER SERIES PRICE SHEET

1-Year Warranty

⚠ WARNING This product can expose you to chemicals known to the State of California to cause cancer and birth defects or other reproductive harm. For more information go to www.P65Warnings.ca.gov/product.



Model	Hydraulic Requirements	Impact Rate
T7	2,000 - 3,500 PSI 10 - 30 GPM	500-900 strikes/ minute
T8-RR	2,200 - 3,500 PSI 13 - 30 GPM	400-800 strikes/ minute

INCLUDED WITH ALL HORNETS

PN	DESCRIPTION
216003	Post Pulling/Depth Gauge Chain Chain that can be used for post pulling, leveling, and as a depth gauge. 84" length.
206101	Filled Nitrogen Bottle
206102	Nitrogen Gas Charging Kit

TO PRICE A COMPLETE SYSTEM:

Hornet Model (pgs. 2-3) _____

Driving Tool(s) (pg. 3) _____

Mount - Backhoe & Excavator
Models Only (pg. 4) _____

Optional Wiring Harness/ Battery
Wiring Harness (pg. 5) _____

Accessories (pg. 5-6) _____

Freight _____

TOTAL _____

SKID-STEER MOUNT

Not for Front-End Loaders.
Does NOT include driving tool. See pg. 3 for driving tool options.

PN	DESCRIPTION	WT.	PRICE
214050	Hornet T7 Hydraulic jackhammer style driver drives T-post up to 7" diameter posts. Integrated post puller. Includes high abrasion resistant hoses and hose fittings with 1/2" flush-face couplers (ISO 16028). Does NOT include driving tool. See pg. 3 for driving tool options.	1,290	\$9,345.00
214050L	Hornet T7 Loaded Includes factory-installed additional weight kit. Increases driving speed up to 50% faster than base unit. Does NOT include driving tool. See pg. 3 for driving tool options.	1,906	\$11,965.00
214051	Hornet T7 with Grapple Grapple for one-person operation. Does NOT include driving tool. See pg. 3 for driving tool options.	1,410	\$10,400.00
214051L	Hornet T7 with Grapple Loaded Includes grapple and factory-installed additional weight kit. Increases driving speed up to 50% faster than base unit. Does NOT include driving tool. See pg. 3 for driving tool options.	2,026	\$13,020.00
214052	Hornet T7 with Tilt Tilt left or right up to 20°. Includes diverter switch and plug adapter that connects to a 12-volt auxiliary power outlet inside the cab. Does NOT include driving tool. See pg. 3 for driving tool options.	1,425	\$13,015.00
214052L	Hornet T7 with Tilt Loaded Includes tilt and factory-installed additional weight kit. Does NOT include driving tool. See pg. 3 for driving tool options.	2,041	\$15,075.00
214053	Hornet T7 with Grapple and Tilt Does NOT include driving tool. See pg. 3 for driving tool options.	1,535	\$14,165.00
214053L	Hornet T7 with Grapple and Tilt Loaded Includes grapple, tilt, and factory-installed additional weight kit. Does NOT include driving tool. See pg. 3 for driving tool options.	2,151	\$16,225.00

PN	DESCRIPTION	WT.	PRICE
214100	Hornet T8-RR Hydraulic jackhammer style driver drives T-posts up to 8" diameter posts. Integrated post puller. Includes high abrasion resistant hoses and hose fittings with 1/2" flush-face couplers (ISO 16028). Does NOT include driving tool. See pg. 3 for driving tool options.	1,485	\$10,131.00
214100L	Hornet T8-RR Loaded Includes factory-installed additional weight kit. Increases driving speed up to 50% faster than base unit. Does NOT include driving tool. See pg. 3 for driving tool options.	2,101	\$12,751.00
214101	Hornet T8-RR with Grapple Grapple for one-person operation. Does NOT include driving tool. See pg. 3 for driving tool options.	1,615	\$11,186.00
214101L	Hornet T8-RR with Grapple Loaded Includes grapple and factory-installed additional weight kit. Increases driving speed up to 50% faster than base unit. Does NOT include driving tool. See pg. 3 for driving tool options.	2,231	\$13,806.00
214102	Hornet T8-RR with Tilt Tilt left or right up to 20°. Includes diverter switch and plug adapter that connects to a 12-volt auxiliary power outlet inside the cab. Does NOT include driving tool. See pg. 3 for driving tool options.	1,590	\$13,801.00
214102L	Hornet T8-RR with Tilt Loaded Includes tilt and factory-installed additional weight kit. Does NOT include driving tool. See pg. 3 for driving tool options.	2,206	\$15,861.00
214103	Hornet T8-RR with Grapple and Tilt Does NOT include driving tool. See pg. 3 for driving tool options.	1,710	\$14,951.00
214103L	Hornet T8-RR with Grapple and Tilt Loaded Includes grapple, tilt, and factory-installed additional weight kit. Does NOT include driving tool. See pg. 3 for driving tool options.	2,326	\$17,011.00

BACKHOE & EXCAVATOR MOUNT

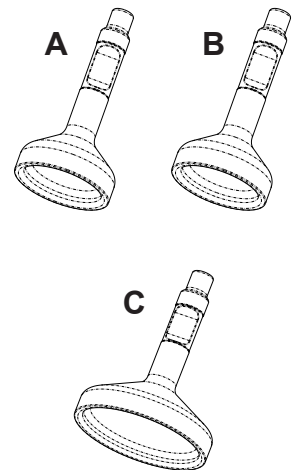
Does NOT include driving tool. See Hornet Driving Tools table below for driving tool options.
Does NOT include mount. See pg. 4 for mounts.

PN	DESCRIPTION	WT.	PRICE
214054	Hornet T7 - <i>(Rated for Excavator weight 9,000 lb. and over)</i> Hydraulic jackhammer style driver drives T-post up to 7" diameter posts. Integrated post puller. Includes high abrasion resistant hoses and hose fittings with 1/2" flush-face couplers (ISO 16028). Does NOT include driving tool. See table below for driving tool options.	975	\$8,365.00
214055	Hornet T7 with Grapple Grapple for one-person operation. Does NOT include driving tool. See table below for driving tool options.	1,110	\$9,515.00
214056	Hornet T7 with Tilt Tilt left or right up to 20°. Includes diverter switch and plug adapter that connects to a 12-volt auxiliary power outlet inside the cab. Does NOT include driving tool. See table below for driving tool options.	1,100	\$11,395.00
214057	Hornet T7 with Grapple and Tilt Does NOT include driving tool. See table below for driving tool options.	1,235	\$12,575.00

PN	DESCRIPTION	WT.	PRICE
214104	Hornet T8-RR - <i>(Rated for Excavator weight 13,500 lb. and over)</i> Hydraulic jackhammer style driver drives T-posts up to 8" diameter posts. Integrated post puller. Includes high abrasion resistant hoses and hose fittings with 1/2" flush-face couplers (ISO 16028). Does NOT include driving tool. See table below for driving tool options.	1,150	\$9,151.00
214105	Hornet T8-RR with Grapple Grapple for one-person operation. Does NOT include driving tool. See table below for driving tool options.	1,275	\$10,301.00
214106	Hornet T8-RR with Tilt Tilt left or right up to 20°. Includes diverter switch and plug adapter that connects to a 12-volt auxiliary power outlet inside the cab. Does NOT include driving tool. See table below for driving tool options.	1,285	\$12,211.00
214107	Hornet T8-RR with Grapple and Tilt Does NOT include driving tool. See table below for driving tool options.	1,410	\$13,361.00

DRIVING TOOLS

REF.	PN	DESCRIPTION	WT.	PRICE
A	196067F	T7 Flat Driving Tool 7.27" I.D. Generally used for wood posts up to 7" diameter.	59	\$635.00
B	196067	T7 Domed Driving Tool 7.27" I.D. Suitable for all types of posts up to 7" diameter. Facilitates post centering during driving. Be aware it may deform wood posts.	56	\$635.00
--	196074F	T8-RR Flat Driving Tool 8.27" I.D. Generally used for wood posts up to 8" diameter.	78	684.00
--	196074	T8-RR Domed Driving Tool 8.27" I.D. Suitable for all types of posts up to 8" diameter. Facilitates post centering during driving. Be aware it may deform wood posts.	74	\$684.00
C	196074R	T8-RR Railroad Tie Flat Driving Tool 12.3" I.D. Generally used for 7" x 9" rail road ties or other posts up to 12" diameter.	138	\$1,494.00



BACKHOE & EXCAVATOR QUICK ATTACH MOUNTING KITS

BACKHOE

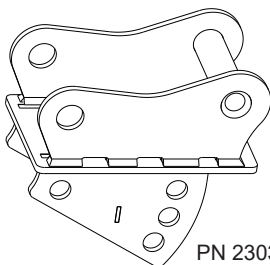
PN	MAKES & MODELS	WT.	PRICE
230332	CAT 420D, 420E (PIN GRABBER)	100	\$695.00
230330	CASE 580 SUPER L SERIES 1&2	100	\$595.00
230328	JD 310, 410 (FITS ALL SERIES EXCEPT G)	80	\$395.00

EXCAVATOR

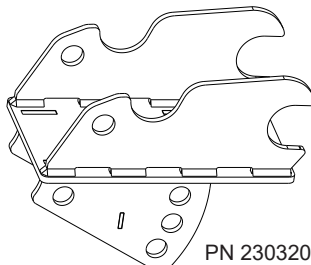
* USA models only. Will not fit gray market machines.

PN	MAKES & MODELS	WT.	PRICE
200052	BOBCAT X-CHANGE	55	\$495.00
240090	BOBCAT E85	85	\$395.00
240088	CASE CX80	80	\$395.00
230336	CAT 304E, E2	55	\$295.00
230334	CAT 305.5E, 304C CR	65	\$395.00
200150	CAT 308, 309	80	\$395.00
190029	JD 26D, 26G, 26P, 30D, 30G, 30P, 35D, 35G, 35P (WEDGE)	55	\$295.00
200050	JD 50D, 50G, 50P, 60D, 60G, 60P (WEDGE)	70	\$395.00
*230320	KUBOTA KX057, U55, U48	80	\$295.00
*200048	KUBOTA KX080	60	\$395.00
*230322	KUBOTA KX161-3, U45	75	\$295.00
*200046	KUBOTA KX040, KX91-3, KX121-3	60	\$295.00
240092	SANY SY60	70	\$395.00
230324	TAG PIN GRAPPER STYLE (QUICK COUPLER)	65	\$395.00
200057	TAG QC27 STYLE (QUICK COUPLER)	55	\$295.00
200060	TAG QC30 STYLE (QUICK COUPLER)	75	\$595.00
230326	TAKEUCHI TB250 (PIN GRABBER)	65	\$395.00
200113	YANMAR VIO45, VIO50, VIO55 (QUICK COUPLER)	70	\$295.00
240074	YANMAR VIO80, SV100 (QUICK COUPLER)	74	\$395.00
200136	BLANK UNIVERSAL MOUNT	60	\$215.00

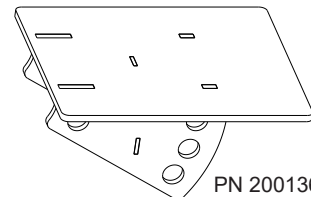
If you do not see your make or model listed, contact Danuser.



PN 230328



PN 230320

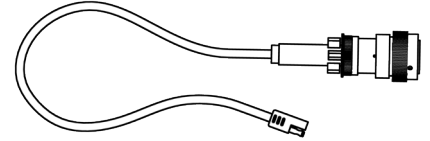


PN 200136

OPTIONAL WIRING HARNESSSES

Allows Hornet tilt function operation from vehicle joy stick controls. 12" length.
Replaces 12-volt auxiliary power port plug on T7 and T8-RR standard harness.

PN	DESCRIPTION	WT.	PRICE
21220-1	Wiring Harness 8-Pin Used on ASV, Caterpillar, Komatsu, Terex	2	\$192.00
21220-2	Wiring Harness 14-pin Used on Bobcat (prior to 1999), Case, JCB, Kubota, New Holland, Takeuchi, Volvo	2	\$192.00
21220-3	Wiring Harness 14-pin Deere Used on John Deere	2	\$192.00
21220-4	Wiring Harness 14-pin Caterpillar Used on Caterpillar	2	\$192.00
21220-5	Wiring Harness 14-pin Used on Bobcat (1999 and current), Gehl	2	\$192.00
*21220-U1	Wiring Harness 8-pin Universal wiring harness. Contacts are crimped on wire but not installed in connector.	2	\$192.00
*21220-U2	Wiring Harness 14-pin Universal wiring harness. Contacts are crimped on wire but not installed in connector.	2	\$192.00

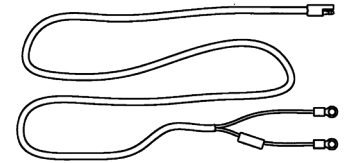


Danuser takes care to ensure the accuracy of the information contained in this price sheet. We assume no liability for errors contained herein. It is the responsibility of the installer to ensure that all of the products are correct before installation. Proper assembly always requires that the installer use all instructions and safety procedures. We assume no liability for any errors made in product selection or installation.

* Requires connector contacts be installed in a switchable +12 V pin location and ground pin location. Mapping of skid-steer connector pins required.

BATTERY WIRING HARNESS

PN	DESCRIPTION	WT.	PRICE
21253	Wiring Harness - Battery Connection Connects to vehicle battery to supply power for tilt function. Replaces 12-volt auxiliary power port plug on T7 or T8-RR standard harness.	2	\$63.00



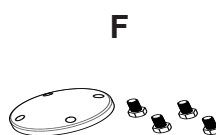
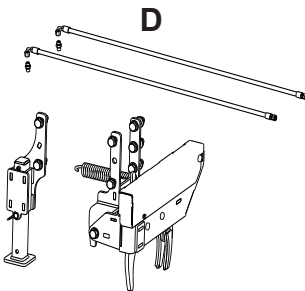
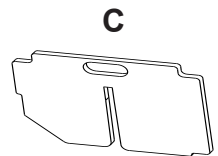
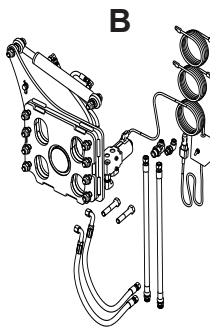
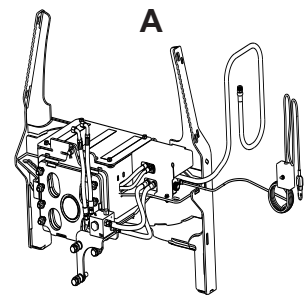
ACCESSORIES

REF.	PN	DESCRIPTION	WT.	PRICE
A	214200	T7 Skid-Steer Tilt Kit Tilt left or right up to 20°. May be added to T7 Hornet only. Includes diverter switch and plug adapter that connects to a 12-volt auxiliary power outlet inside the cab.	675	\$5,680.00
B	214202	T7 Backhoe & Excavator Tilt Kit Tilt left or right up to 20°. May be added to T7 Hornet only. Includes diverter switch and plug adapter that connects to a 12-volt auxiliary power outlet inside the cab.	170	\$3,120.00
--	214205	T8-RR Skid-Steer Tilt Kit Tilt left or right up to 20°. May be added to T8-RR Hornet only. Includes diverter switch and plug adapter that connects to a 12-volt auxiliary power outlet inside the cab.	675	\$5,680.00
--	214207	T8-RR Backhoe & Excavator Tilt Kit Tilt left or right up to 20°. May be added to T8-RR Hornet only. Includes diverter switch and plug adapter that connects to a 12-volt auxiliary power outlet inside the cab.	170	\$3,120.00
C	200076	Additional Weight Kit - Non-Tilt Hornets Add up to 14 weight plates for reduced vibration and more efficient driving. 1 weight = 44 lb., 14 weights = 616 lb. Increases driving speed up to 50% faster than base unit.	616	\$2,615.00
--	214201	Additional Weight Kit - Tilt Hornets Add up to 11 weight plates for reduced vibration and more efficient driving. 1 weight = 44 lb., 11 weights = 484 lb. Tilt intermediate weldment and additional tilt components (included with Hornet Driver) = 132 lb. Increases driving speed up to 50% faster than base unit.	484	\$2,055.00

ACCESSORIES CONT'D

* NOTE: When storing Skid-mounted Hornets, the driving tool must be re-installed.

REF.	PN	DESCRIPTION	WT.	PRICE
D	210040	T7 Skid-Steer Grapple Kit - Non-Tilt Hornets Grapple for one-person operation, for skid-steer Hornet T7 models without tilt only.	122	\$1,101.00
--	214203	T7 Skid-Steer Grapple Kit - Tilt Hornets Grapple for one-person operation, for skid-steer Hornet T7 models with tilt only.	150	\$1,150.00
--	214204	T7 Backhoe & Excavator Grapple Kit Grapple for one-person operation, for backhoe & excavator Hornet T7 models only.	130	\$1,150.00
--	210041	T8-RR Skid-Steer Grapple Kit - Non-Tilt Hornets Grapple for one-person operation, for skid-steer Hornet T8-RR models without tilt only.	122	\$1,101.00
--	214208	T8-RR Skid-Steer Grapple Kit - Tilt Hornets Grapple for one-person operation, for skid-steer Hornet T8-RR models with tilt only.	150	\$1,150.00
--	214209	T8-RR Backhoe & Excavator Grapple Kit Grapple for one-person operation, for backhoe & excavator Hornet T8-RR models only.	130	\$1,150.00
E	21149	T-Post Adapter Must be added for driving T-posts. Can only be used with a flat bottom driving tool.	22	\$173.00
F	220011	T-Post Adapter Domed Driving Tool Kit Must be added to PN 21149 for driving T-Posts with a domed driving tool.	5	\$75.00
G	*236080	T7 Concrete Breaker Tool Kit For use on all versions of T7 Hornets to break rock and reinforced concrete. Tool has amoil style point.	40	\$150.00
H	*236082	T8-RR Concrete Breaker Tool Kit For use on all versions of T8-RR Hornets to break rock and reinforced concrete. Tool has amoil style point.	50	\$175.00
--	*236090	T8-RR Rock Spike Tool For use on all versions of T8-RR Hornets. Use to create pilot holes for wooden posts in rocky areas. Overall length 60".	155	\$655.00



REPAIR PARTS & SAFETY SIGNS

To find repair parts and safety signs, see Danuser's online Parts Catalog at parts.danuser.com.

The Parts Catalog includes all current attachment parts and decals in a user-friendly, accessible, and portable format.

Be sure to have model and serial number at hand to find the correct items.

F.O.B. FULTON, MISSOURI

Dollars are U.S. Dollars.

Danuser reserves the right to make changes in design, specifications, and prices without notice and without incurring any obligation relating to such changes.