

**McFARLANE**  
MFG. CO.  
INC. *Sauk City, Wisconsin*

MANUFACTURERS OF QUALITY AGRICULTURAL EQUIPMENT SINCE 1936

PARTS DIAGRAMS AND  
PARTS LISTING  
FOR THE

**RD-4000 Series  
Reel Disk**

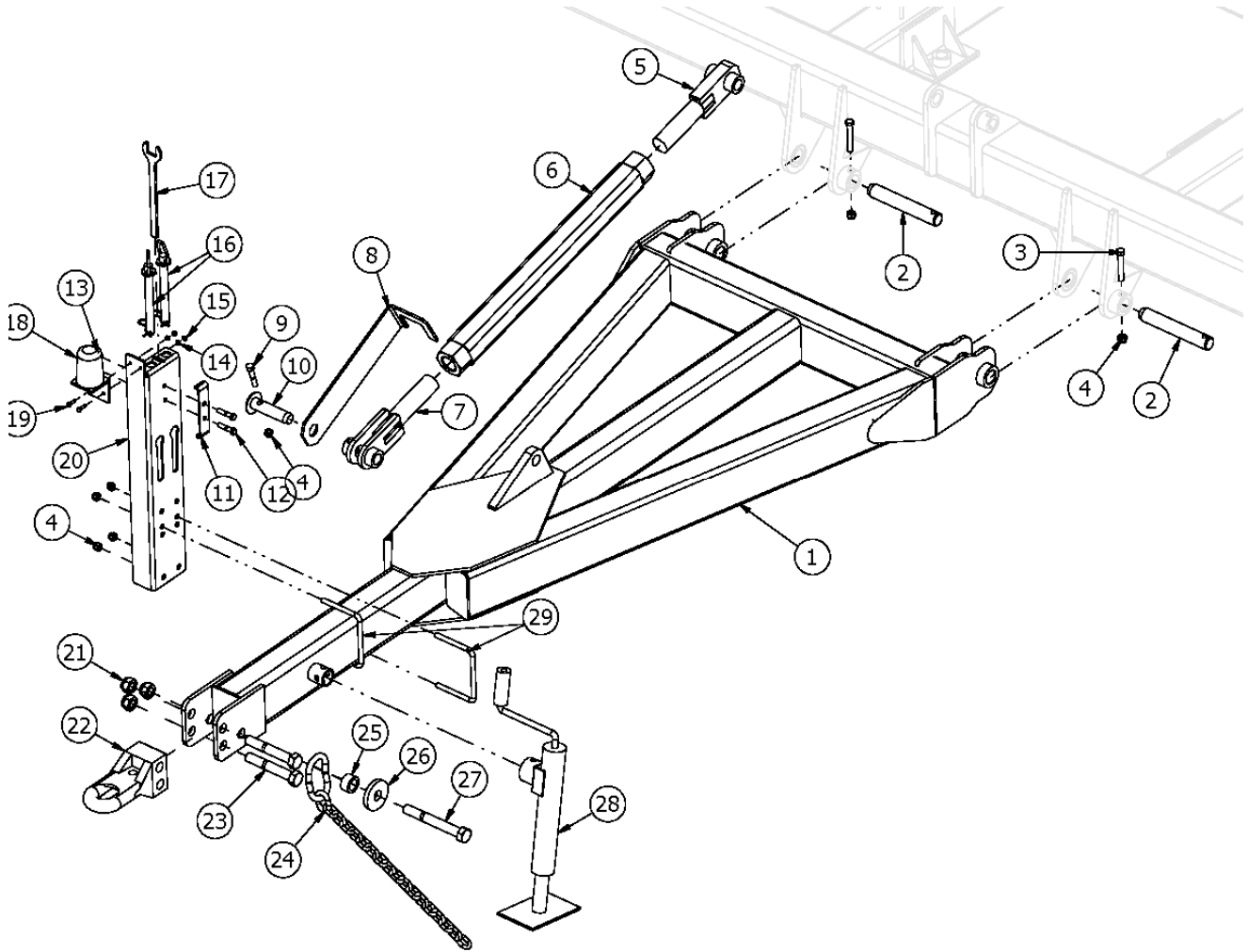
Version: 7-11

1330 Dallas Street · PO Box 100 · Sauk City WI 53583  
Phone (608) 643-3321 · Toll Free (800) 627-8569 · Fax (608) 643-3976  
[www.flexharrow.com](http://www.flexharrow.com)

## TABLE OF CONTENTS

HITCH FRAME.....	3
HITCH FRAME AND HITCH.....	4
MAIN FRAME AXLE (RD-4012, 4014, 4020, 4025 AND 4030).....	5 -6
MAIN FRAME AXLE (RD-4035, AND RD-4044).....	7 -8
LEVEL LIFT.....	9
HYDRAULIC DEPTH STOP.....	10
WING REST AND SMV (RD-4020).....	11
WING REST AND SMV (RD-4025, RD-4030 AND RD-4035).....	12
WING REST AND SMV (RD-4044).....	13
WING FRAME (RD-4020, RD-4025, RD-4030 AND RD-4035).....	14 - 15
WING FRAME (INSIDE) - (RD-4044).....	16
WING FRAME (OUTSIDE) - (RD-4044).....	17
DISK GANG.....	18 - 19 - 20
CENTER COVERING DISK.....	21
SPIRAL REEL.....	22 - 23
LIFT ARM.....	24 - 25
ROLLING BASKET.....	26 -27
FA HARROW SECTIONS.....	28
WHEEL LIFT HYDRAULICS (RD-4012 AND RD-4014).....	29
WHEEL LIFT HYDRAULICS (RD-4020, RD-4025, RD-4030 AND RD-4035).....	30
WHEEL LIFT HYDRAULICS (RD-4044).....	31
WING FOLD HYDRAULICS (RD-4020, RD-4025 AND RD-4030).....	32
WING FOLD HYDRAULICS (RD-4035).....	33
WING FOLD HYDRAULICS (RD-4044).....	34
LIGHTING DIAGRAM.....	35
LAYOUT DIAGRAM (RD-4012).....	36
LAYOUT DIAGRAM (RD-4014).....	37
LAYOUT DIAGRAM (RD-4020).....	38
LAYOUT DIAGRAM (RD-4025).....	39
LAYOUT DIAGRAM (RD-4030).....	40
LAYOUT DIAGRAM (RD-4035).....	41
LAYOUT DIAGRAM (RD-4044).....	42
SPINDLE AND HUB ASSEMBLIES (ALL PRODUCTS).....	43 – 45

**HITCH FRAME  
FOR RD-4000 SERIES**

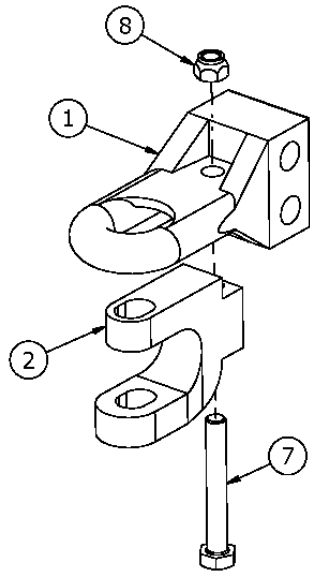


Key	Part No.	Description	Notes/Revisions
1	RD-4411	HITCH, 4X6 (4012-4014)	
1	RD-4409	HITCH, 4X6 (4020-4030)	replaces RT-3110
1	RD-4418	HITCH, 6X6 (4035-4044)	
	RD-4410	HITCH, 4X6 (4035)	sn 13132-lower replaces RT-3140
2	RT-2107	HINGE PIN, 1-1/2x9-5/8	
3	BHY-5635	9/16 - 12 X 2 1/2 GRADE 8 BOLT	
4	NLT-5612	9/16-12 TOP LOCK NUT	
5	RT-2112	PIVOT END TURNBUCKLE, 3 7/8" DOM	
6	RT-3145	HITCH TURNBUCKLE - 30"	
7	RT-2111	HITCH END TURNBUCKLE, 2 EAR	
8	RT-2114	TURNBUCKLE LOCK, 3"	
9	BH-5028	1/2 X 2 3/4 GRADE 5 HEX BOLT	
10	RT-2113	TURNBUCKLE PIN - 1 1/4 X 5 1/4	
11	RT-3104	HYDRAULIC HOSE RACK CLAMP	
12	BH-4420	7/16 X 2 HEX BOLT	
13	NLT-4414	7/16 TOP LOCK NUT	
14	LW-0025	1/4 LOCK WASHER	
15	NH-2520	1/4 HEX NUT	

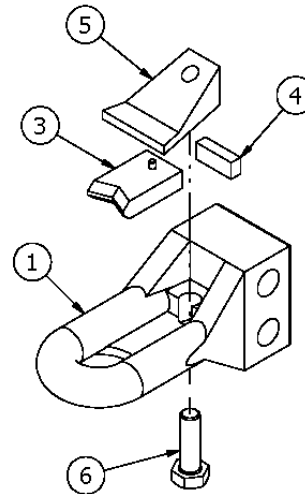
## HITCH FRAME (continued)

16	PH-8885 RT-3410	HITCH PIN, 7/8 x 8 1/2 w/ #6 BRIDGE PIN WING LOCK PIN, 1 1/4 x 8	sn 12008 - lower
17	RT-2416	TURNBUCKLE WRENCH, 1 1/4"	
18	LB-1110	LIGHT PLUG STORAGE	
19	BH-2510	1/4 X 1 HEX BOLT	
20	RT-3102	HYDRAULIC HOSE RACK	
21	NLT-1008	1" TOP LOCK NUT	
22	PPI-200	HITCH BASE CAT II (4012-4014)	See drawbar hitch diagram for details
22	PPI-300	HITCH BASE CAT III (4020)	
22	PPI-400	HITCH BASE CAT IV (4025-4044)	
23	BHY-1065	1 X 6 1/2 GRADE 8 HEX BOLT	
24	CH-1816	SAFETY CHAIN, 16,100lbs (4014-4030)	
24	CH-1820	SAFETY CHAIN, 20,200lbs (4035-4044)	
25	RT-2054	BUSHING, 1 7/8"ODx1 1/4"IDx1"	
26	RT-3103	SAFETY CHAIN WASHER	
27	BHY-1085	1 X 8 1/2 GRADE 8 HEX BOLT	
28	RT-3144	JACK, SQ-15", 2000#	
29	BU-1265	1/2 x 6 x 5 U-BOLT (4012 - 4030)	sn 13132 - lower
29	BU-1265	1/2 x 6 x 5 U-BOLT (4035 - 4044)	
29	BU-1267	1/2 x 6 x 7 1/4 U-BOLT (4035 - 4044)	

## HITCH



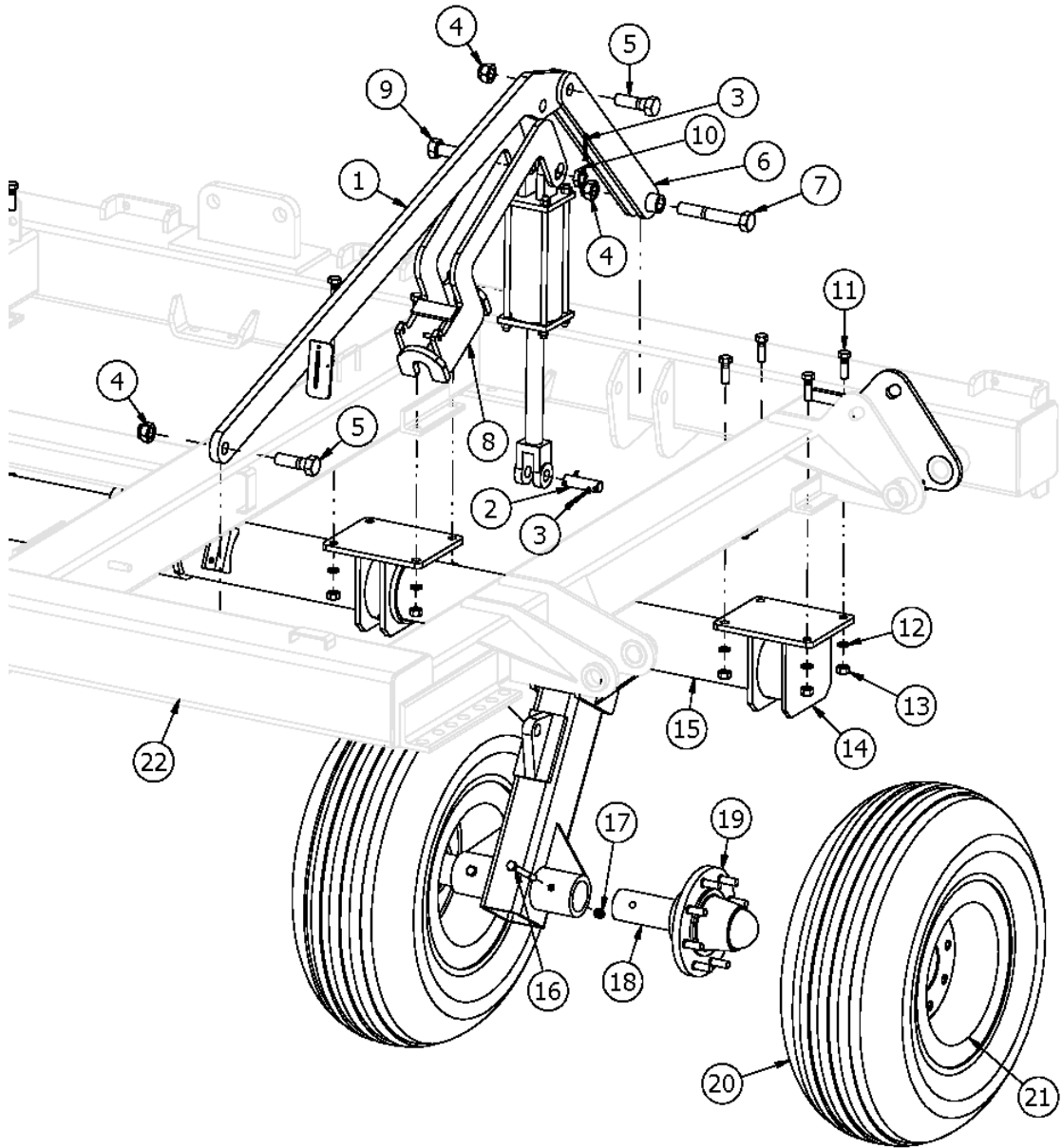
CLEVIS



PINTLE

Key	Part No.	Description	Notes/Revisions
1	PPI-200	HITCH BASE, CAT. II	
1	PPI-300	HITCH BASE, CAT. III	
1	PPI-400	HITCH BASE, CAT. IV	
2	PPI-208	HITCH CLEVIS	CAT. II & III only
3	PPI-203	V -PLATE CAT. II - IV	
4	PPI-201	CUSHION	
5	PPI-202	TOP PLATE, CAT. II	
5	PPI-302	TOP PLATE, CAT. III - IV	
6	BHY-7525	3/4 X 2 1/2 GRADE 8 BOLT	
7	BHY-7555	3/4 X 5 1/2 GRADE 8 BOLT	CAT. II & III only
8	NLT-7510	3/4 TOP LOCK NUT	CAT. II & III only

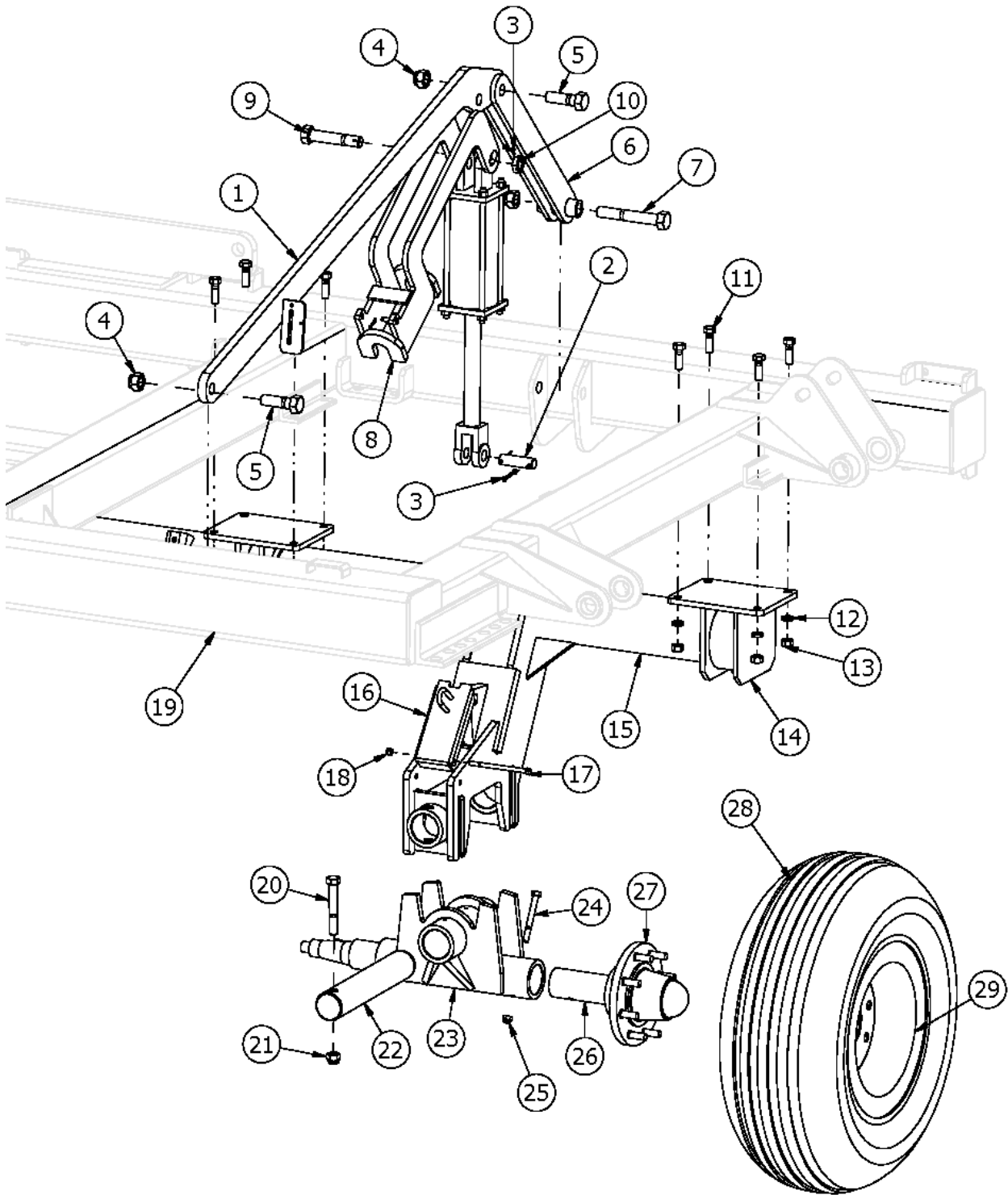
**MAIN FRAME AXLE**  
FOR RD-4012, 4014, 4020, 4025 AND 4030



**MAIN FRAME AXLE (continued)**  
**FOR RD-4012, 4014, 4020, 4025 AND 4030**

Key	Part No.	Description	Notes/Revisions
1	RD-4361 RD-4362 N/A	MAIN AXLE CYLINDER ARM MAIN AXLE CYLINDER ARM	sn 12020 – 15146 sn 12019 – lower
2	HYO-2103	CYLINDER CLEVIS PIN, 1 X 3	
3	CP-3620	3/16 X 2 COTTER PIN	
4	NLT-1008 N/A	1" – 8 TOP LOCK NUT	sn 12019 – lower
5	BHY-1033 N/A	1" – 8 X 3 1/4 GRADE 8 HEX BOLT	sn 12019 – lower
6	RD-4360 N/A	MAIN AXLE CYLINDER TRUSS	sn 12019 – lower
7	BHY-1065 N/A	1" – 8 X 6 1/2 GRADE 8 HEX BOLT	sn 12019 – lower
8	HYS-1102 HYS-1108 HYS-1208	CYLINDER LOCK, RD TRANSPORT CYLINDER LOCK, 4-1/4x8 CYLINDER LOCK, 1-1/2x8	sn 13061 – 15146 sn 13060 – lower
9	HYS-1112 HYO-2103	1 – 8 X 5 GRADE 8 HEX BOLT W/PIN HOLE CYLINDER CLEVIS PIN, 1 X 3	sn 13060 – lower
10	NCJ-1008 N/A	1" CASTLE JAM NUT	sn 13060 – lower
11	BH-6320	5/8 – 11 X 2 GRADE 5 HEX BOLT	
12	LW-0063	5/8 LOCK WASHER	
13	NH-6311	5/8 – 11 HEX NUT	
14	RT-2158	MAIN AXLE END BRACKET	
15	RD-4414	MAIN AXLE ASSEMBLY (4012-4014)	
15	RD-4420	MAIN AXLE ASSEMBLY (4020)	
15	RT-3153	MAIN AXLE ASSEMBLY (4025-4030)	
16	BH-5045	1/2" - 13 X 4 1/2 HEX BOLT	
17	NLT-5013	1/2" - 13 TOP LOCK NUT	
18	WDL-2505	SPINDLE, 1 3/4 X 9 1/2 (4012-4014)	
18	RT-2170	SPINDLE, 2 1/4 X 11 1/2 (4020)	
18	RT-3180	SPINDLE, 2 3/4 X 12 1/2 (4025-4030)	
19	HD-1371	6 BOLT HUB ASSEMBLY, 3560 LB (4012-4014)	See hub diagram for details
19	RT-2171	8 BOLT HUB ASSEMBLY, 4500 LB (4020)	
19	RT-3181	8 BOLT HUB ASSEMBLY, 6000 LB (4025-4030)	
20	11L-15 8T	TIRE ONLY, 11L – 15, 8 PLY (4012-4014)	
20	12.5L-15 10T	TIRE ONLY, 12.5L – 15, 10 PLY (4020)	
20	12.5L-15 12T	TIRE ONLY, 12.5L – 15, 12 PLY (4025)	
20	12.5L-15 18T	TIRE ONLY, 12.5L – 15, 18 PLY (4030)	
21	HD-1368	RIM, 15 X 8, 6-BOLT, 2900 LB (4012-4014)	
21	RT-2179	RIM, 15 X 10, 8 BOLT, 5000 LB (4020-4030)	
22	RD-4307	MAIN FRAME (4012)	sn 12019 – lower
22	RD-4304	MAIN FRAME (4014)	
22	RD-4314	MAIN FRAME (4014)	
22	RD-4301	MAIN FRAME (4020)	sn 12019 – lower
22	RD-4310	MAIN FRAME (4020)	
22	RD-4303	MAIN FRAME (4025-4030)	sn 12019 – lower
22	RD-4313	MAIN FRAME (4025-4030)	

**MAIN FRAME AXLE**  
FOR RD-4035 AND RD-4044

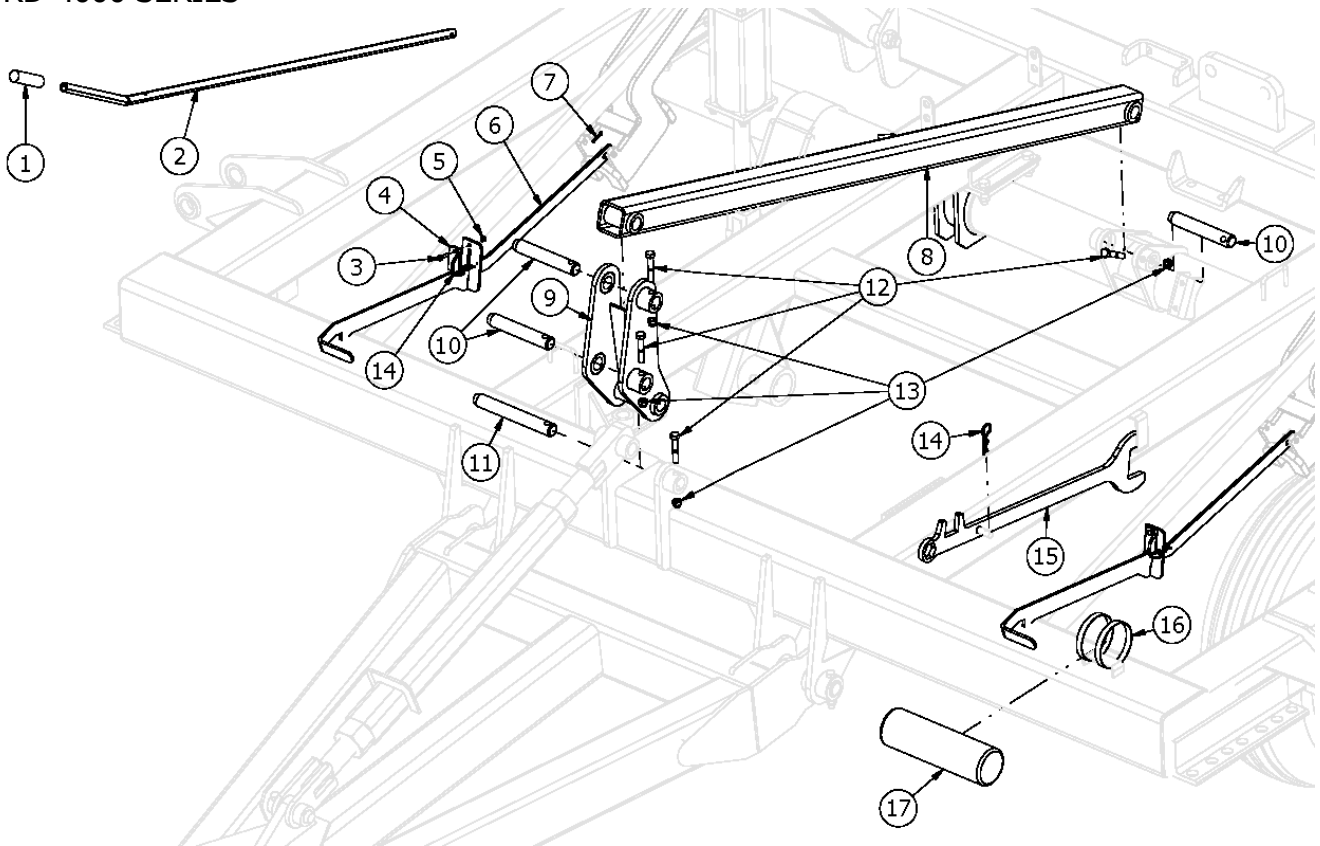


**MAIN FRAME AXLE FOR RD-4035 AND RD-4044 (continued)**

Key	Part No.	Description	Notes/Revisions
1	RD-4361 RD-4362 N/A	MAIN AXLE CYLINDER ARM MAIN AXLE CYLINDER ARM	sn 12020 – 15146 sn 12019 – lower
2	HYO-2103	CYLINDER CLEVIS PIN, 1 X 3	
3	CP-3620	3/16 X 2 COTTER PIN	
4	NLT-1008 N/A	1" – 8 TOP LOCK NUT	sn 12019 – lower
5	BHY-1033 N/A	1" – 8 X 3 1/4 GRADE 8 HEX BOLT	sn 12019 – lower
6	RD-4360 N/A	MAIN AXLE CYLINDER TRUSS	sn 12019 – lower
7	BHY-1065 N/A	1" – 8 X 6 1/2 GRADE 8 HEX BOLT	sn 12019 – lower
8	HYS-1102 HYS-1108 HYS-1208	CYLINDER LOCK, RD TRANSPORT CYLINDER LOCK, 4-1/4x8 CYLINDER LOCK, 1-1/2x8	sn 13061 – 15146 sn 13060 – lower
9	HYS-1112 HYO-2103	1 – 8 X 5 GRADE 8 HEX BOLT W/PIN HOLE CYLINDER CLEVIS PIN, 1 X 3	sn 13060 – lower
10	NCJ-1008 N/A	1" CASTLE JAM NUT	sn 13060 – lower
11	BH-6320	5/8 – 11 X 2 GRADE 5 HEX BOLT	
12	LW-0063	5/8 LOCK WASHER	
13	NH-6311	5/8 – 11 HEX NUT	
14	RT-2158	MAIN AXLE END BRACKET	
15	RD-4435 RT-3154 RD-4437	MAIN AXLE ASSEMBLY (4035) MAIN AXLE ASSEMBLY (4035) MAIN AXLE ASSEMBLY (4044)	sn 13133 - lower
16	RD-4433 N/A	CARRIAGE COVER PLATE (4035 ONLY)	sn 13133 - lower
17	BH-3860 N/A	3/8" - 16 X 6 GRADE 5 HEX BOLT (4035 ONLY)	sn 13133 – lower
18	NLT-3816 N/A	3/8" - 16 TOP LOCK NUT (4035 ONLY)	sn 13133 – lower
19	RD-4305 RD-4315 RD-4302	MAIN FRAME (4035) MAIN FRAME (4035) MAIN FRAME (4044)	sn 12019 – lower
20	BH-7550 N/A	3/4 – 10 X 5 GRADE 5 HEX BOLT (4035 ONLY)	sn 13133 – lower
21	NLT-7510 N/A	3/4 TOP LOCK NUT (4035 ONLY)	sn 13133 – lower
22	RD-4412 N/A	AXLE CARRIAGE PIVOT PIN (4035 ONLY)	sn 13133 – lower
23	RD-4413 N/A RD-4415	AXLE CARRIAGE ASSEMBLY (4035) AXLE CARRIAGE ASSEMBLY (4035) AXLE CARRIAGE ASSEMBLY (4044)	sn 13133 – lower
24	BH-5045	1/2" – 13 X 4 1/2 HEX BOLT	
25	NLT-5013	1/2" - 13 TOP LOCK NUT	
26	RT-3180 RD-4416	SPINDLE, 2 3/4 X 12 1/2 (4035) SPINDLE, 3 X 12 1/2 (4044)	
27	RT-3181 RD-4580	8 BOLT HUB ASSEMBLY, 6000 LB (4035) 8 BOLT HUB ASSEMBLY, 7500 LB (4044)	
28	12.5L-15 FT 12.5L-16.5 14T	TIRE ONLY, F PLY HWY (4035) TIRE ONLY, 14 PLY (4044)	
29	RT-2179 RD-4586	RIM, 15X10, 8 BOLT, 5000 LB (4035) RIM, 16.5X9.75, 8 BOLT, 8000 LB (4044)	

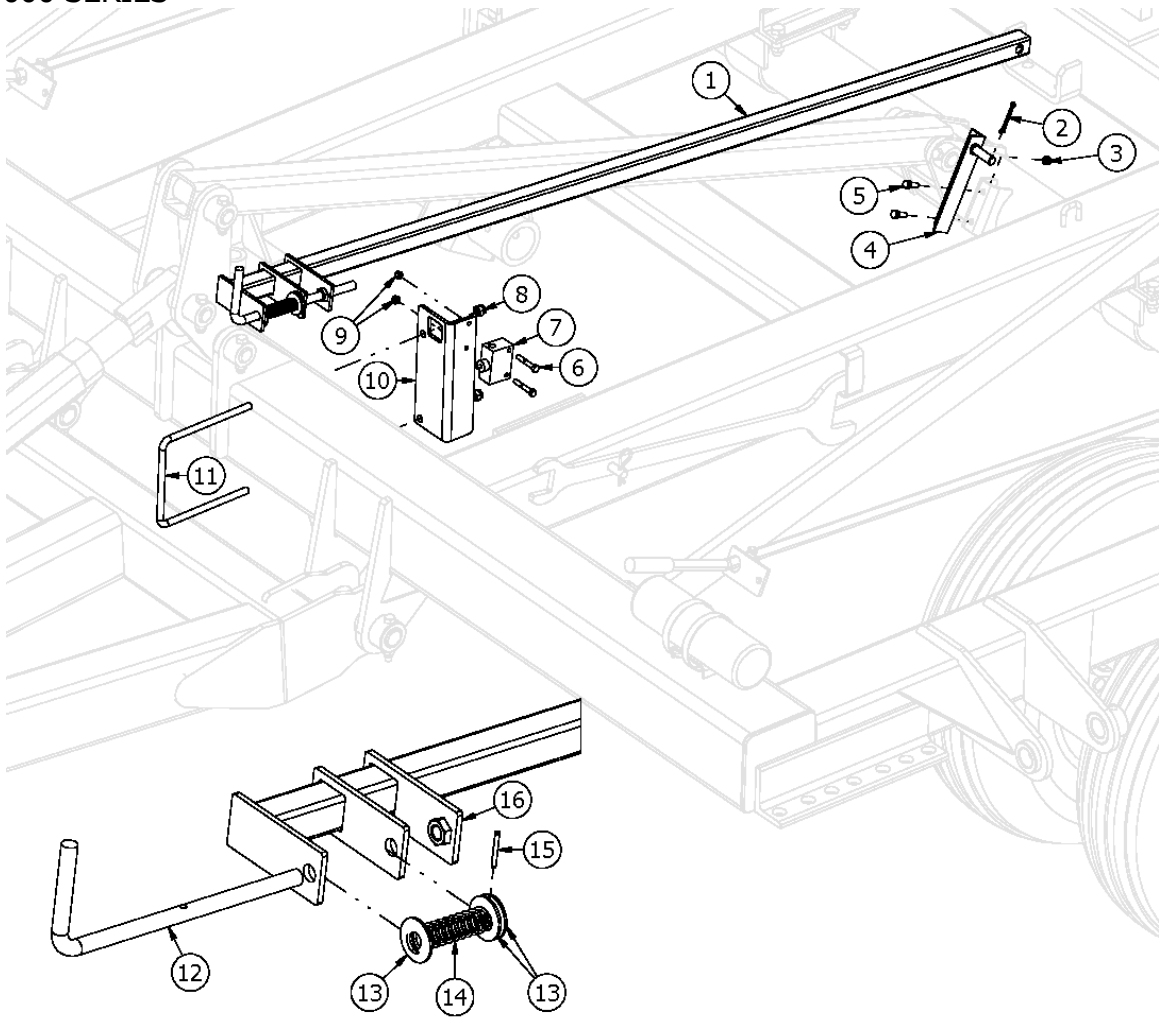


**LEVEL LIFT  
FOR RD-4000 SERIES**



Key	Part No.	Description	Notes/Revisions
1	HYS-1111	CYLINDER LOCK HANDLE GRIP	sn 13061 – 15146
2	HYS-1110	CYLINDER LOCK HANDLE	sn 13061 – 15146
3	BH-2510 N/A	1/4 – 20 X 1 GRADE 5 HEX BOLT	sn 15146 – lower
4	HYS-1104 LP-3825	CYLINDER LOCK HANDLE LOCK LYNCH PIN, 3/8 X 2 1/2	sn 13061 - 15146
5	NLT-2520 N/A	1/4 – 20 TOP LOCK NUT	sn 15146 – lower
6	HYS-1103	CYLINDER LOCK HANDLE	sn 15147 - higher
7	CP-1810 N/A	COTTER PIN, 1/8 X 1	sn 12019 – lower
8	RT-3109	LEVEL LIFT REAR TUBE	
9	RT-3108	LEVEL LIFT PIVOT PLATE	
10	RT-2124	LEVEL LIFT TUBE PIN, 1 1/4 X 7 1/2	
11	RT-3107	PIVOT PLATE PIN, 1 1/4 X 9 1/2	
12	BH-5028	1/2 -13 X 2 3/4 GRADE 5 HEX BOLT	
13	NLT-5013	1/2 - 13 TOP LOCK NUT	
14	PB-0009	BRIDGE PIN #9	
15	RT-2115	TURNBUCKLE WRENCH	
16	MM-1204	4" HOSE CLAMP	
17	RD-4306	MANUAL STORAGE TUBE	

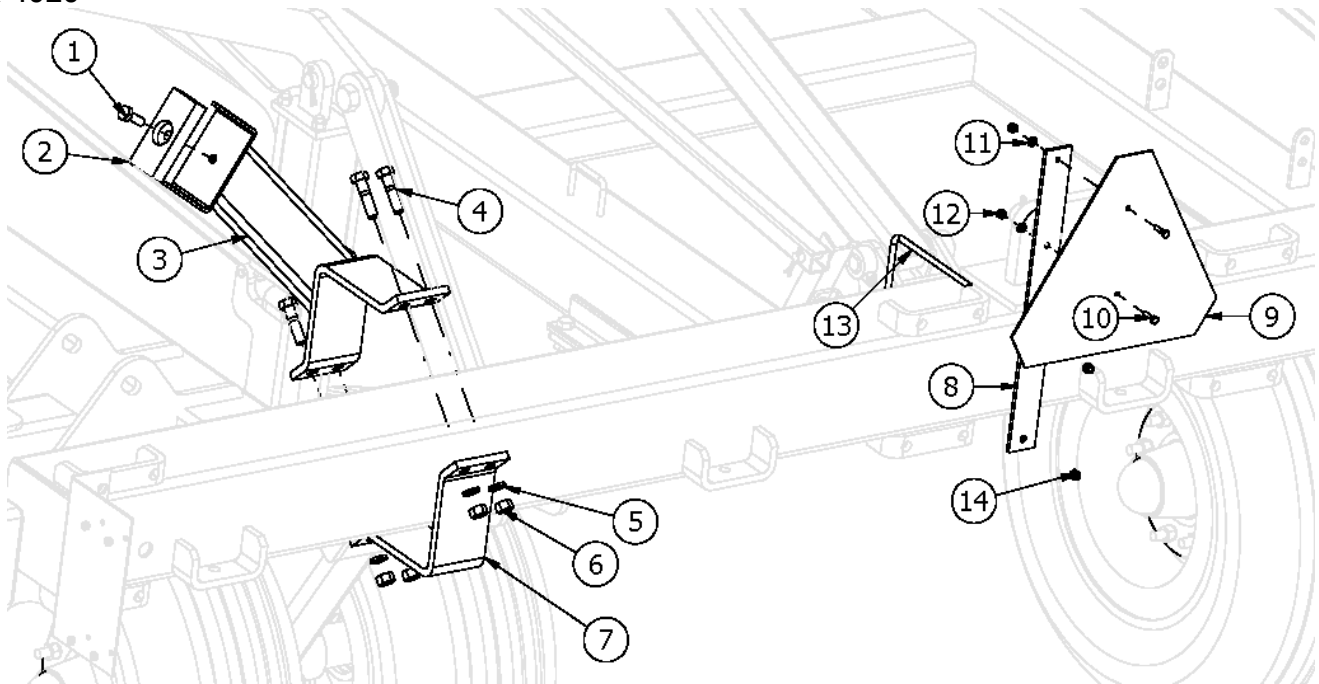
# HYDRAULIC DEPTH STOP FOR RD-4000 SERIES



## HYDRAULIC DEPTH STOP DETAIL

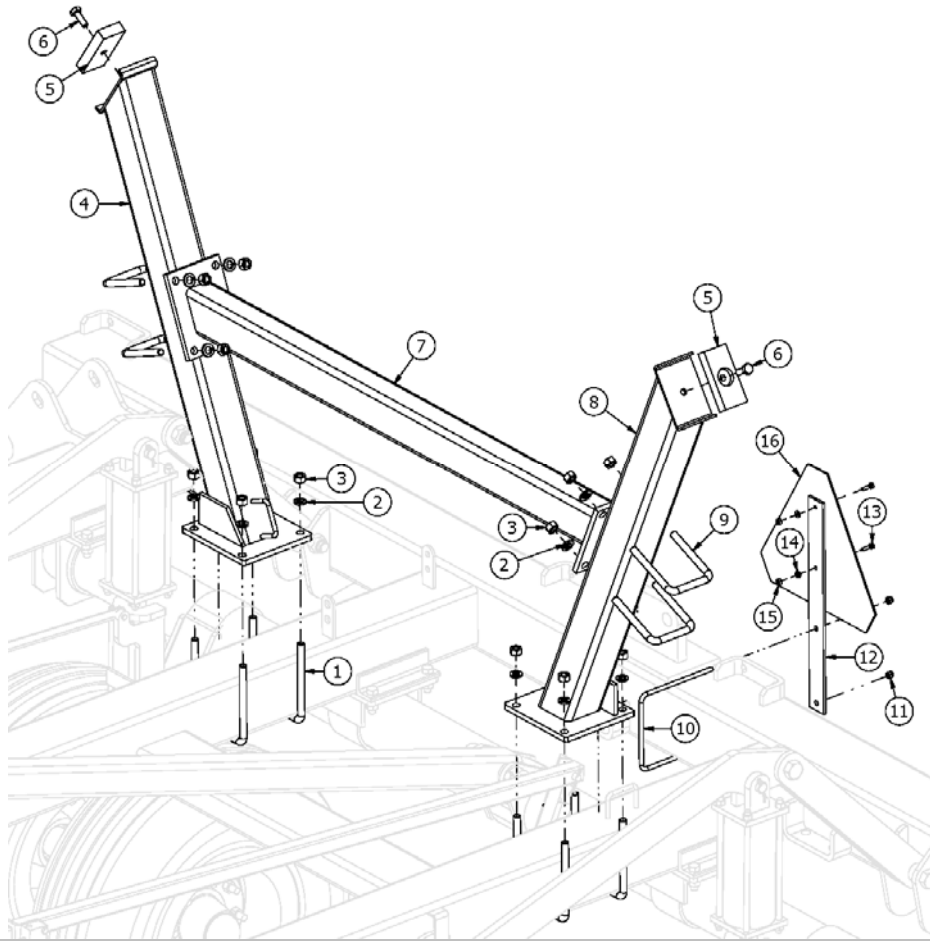
Key	Part No.	Description	Notes/Revisions
1	RD-4351	HYDRAULIC STOP TUBE ASSEMBLY	
2	CP-3620	3/16 X 2 COTTER PIN	
3	NLT-3816	3/8 – 16 X TOP LOCK NUT	
4	RD-4356	HYDRAULIC STOP AXLE BRACKET	
5	BH-3810	3/8 – 16 X 1 GRADE 5 HEX BOLT	
6	BH-3120	5/16 – 18 X 2 GRADE 5 HEX BOLT	
7	HYO-3021 HYO-3020	HYDRAULIC STOP VALVE, RESTRICTED HYDRAULIC STOP VALVE	sn 13988 – lower
8	NLT-5013	1/2 – 13 TOP LOCK NUT	
9	NY-3118	5/16 – 18 NYLON LOCK NUT	
10	RD-4350	HYDRAULIC STOP FRAME BRACKET	
11	BU-1278	1/2 - 13 X 7 X 8 1/4 U-BOLT	
12	RD-4354	HYDRAULIC STOP CRANK	
13	FW-0063	5/8 FLAT WASHER	
14	RD-4355	HYDRAULIC STOP CRANK SPRING	
15	RD-4357	1/4 X 2 SPRING ROLL PIN	
16	RD-4353	HYDRAULIC STOP PLATE	

**WING REST & SMV  
FOR 4020**



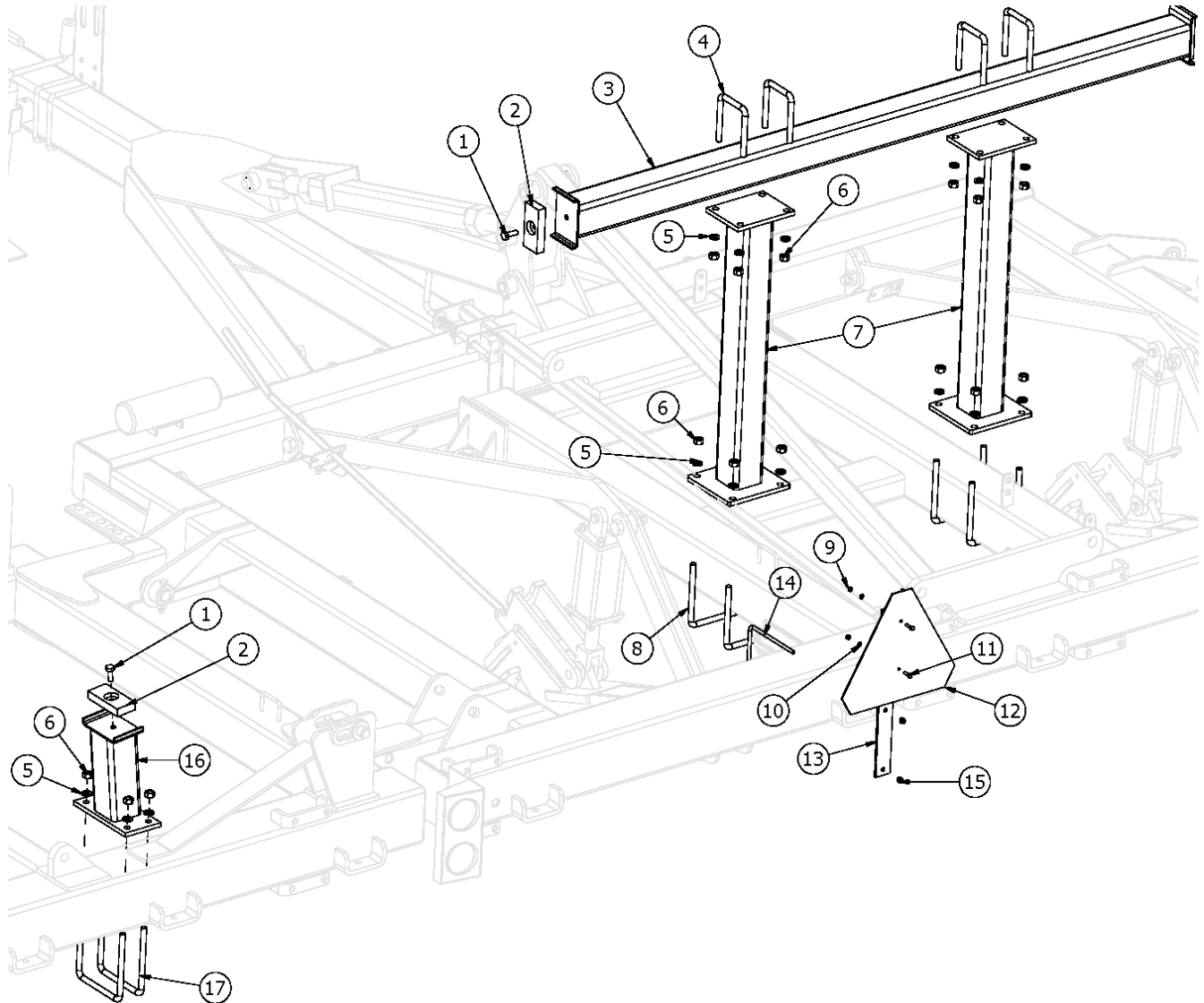
Key	Part No.	Description	Notes/Revisions
1	BH-5015	1/2 – 13 X 1 1/2 GRADE 5 HEX BOLT	
2	RT-3415	WING REST BUMPER	
3	RD-4488 RD-4489	WING REST, LEFT HAND (SHOWN) WING REST, RIGHT HAND	
4	BH-6325	5/8 – 11 X 2 1/2 GRADE 5 HEX BOLT	
5	LW-0063	5/8 LOCK WASHER	
6	NH-6311	5/8 – 11 HEX NUT	
7	SPR-2752	WING REST CLAMP	
8	LB-1203	SMV MOUNT BRACKET, 7"	
9	MM-1300	SMV SIGN	
10	BH-2510	1/4 - 20 X 1 GRADE 5 HEX BOLT	
11	LW-0025	1/4 LOCK WASHER	
12	NH-2520	1/4 – 20 HEX NUT	
13	BU-3878	3/8 - 16 X 7 X 8 U-BOLT	
14	NLT-3816	3/8 – 16 TOP LOCK NUT	

**WING REST & SMV  
FOR 4025, 4030 AND 4035**



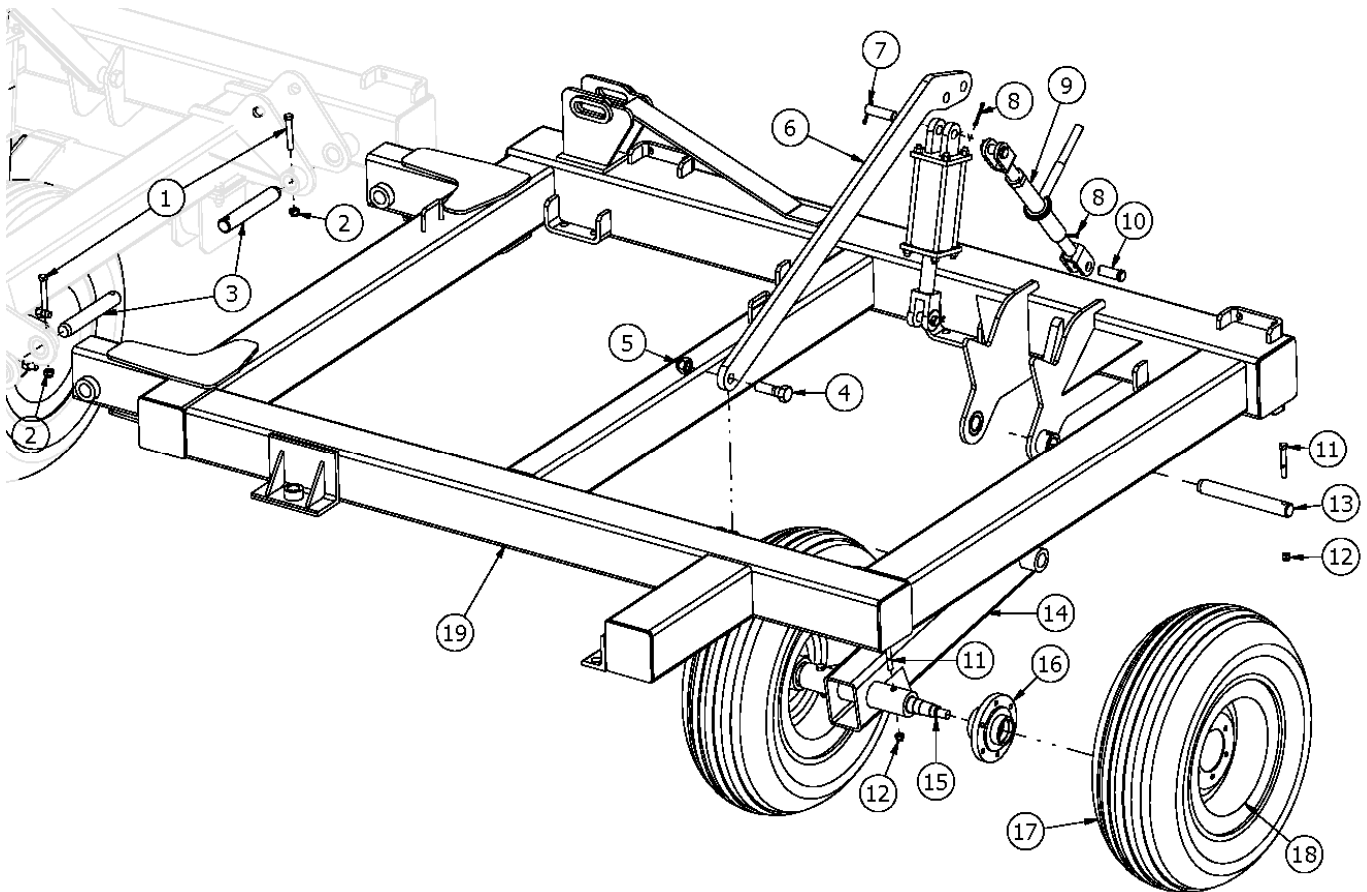
Key	Part No.	Description	Notes/Revisions
1	BU-5867	5/8 - 11 X 6 X 7 1/2 U-BOLT	
2	LW-0063	5/8 LOCK WASHER	
3	NH-6311	5/8 - 11 HEX NUT	
4	RD-4620	WING REST ASSEMBLY, RIGHT (4025)	
4	RT-3434	WING REST ASSEMBLY, RIGHT (4030)	
4	RD-4621	WING REST ASSEMBLY, RIGHT (4035)	
5	RT-3415	WING REST BUMPER	
6	BH-5015	1/2 -13 X 1 1/2 GRADE 5 HEX BOLT	
7	RD-4483	WING REST BRACE (4025)	
7	RT-3433	WING REST BRACE (4030)	
7	RD-4487	WING REST BRACE (4035)	
8	RD-4482	WING REST ASSEMBLY, LEFT (4025)	
8	RT-3432	WING REST ASSEMBLY, LEFT (4030)	
8	RD-4486	WING REST ASSEMBLY, LEFT (4035)	
9	BU-5845	5/8 - 11 X 4 X 5 1/2 U-BOLT	
10	BU-3878	3/8 - 16 X 7 X 8 U-BOLT	
11	NLT-3816	3/8 - 16 TOP LOCK NUT	
12	LB-1203	SMV MOUNT BRACKET, 7"	
13	BH-2510	1/4 -20 X 1 GRADE 5 HEX BOLT	
14	LW-0025	1/4 LOCK WASHER	
15	NH-2520	1/4 - 20 HEX NUT	
16	MM-1300	SMV SIGN	

**WING REST & SMV  
FOR 4044**



Key	Part No.	Description	Notes/Revisions
1	BH-5015	1/2 -13 X 1 1/2 GRADE 5 HEX BOLT	
2	RT-3415	WING REST BUMPER	
3	RD-4576	WING REST CROSS BRACE	
4	BU-5845	5/8 - 11 X 4 X 5 1/2 U-BOLT	
5	LW-0063	5/8 LOCK WASHER	
6	NH-6311	5/8 - 11 HEX NUT	
7	RD-4578	WING REST UPRIGHT	
8	BU-5867	5/8 - 11 X 6 X 7 1/2 U-BOLT	
9	NH-2520	1/4 - 20 HEX NUT	
10	LW-0025	1/4 LOCK WASHER	
11	BH-2510	1/4 -20 X 1 GRADE 5 HEX BOLT	
12	MM-1300	SMV SIGN	
13	LB-1203	SMV MOUNT BRACKET, 7"	
14	BU-3878	3/8 - 16 X 7 X 8 U-BOLT	
15	NLT-3816	3/8 - 16 TOP LOCK NUT	
16	RD-4577	WING REST, OUTSIDE	
17	BU-5879	5/8 - 11 X 7 X 8 1/2 U-BOLT	

**WING FRAME**  
FOR 4020, 4025, 4030 AND 4035

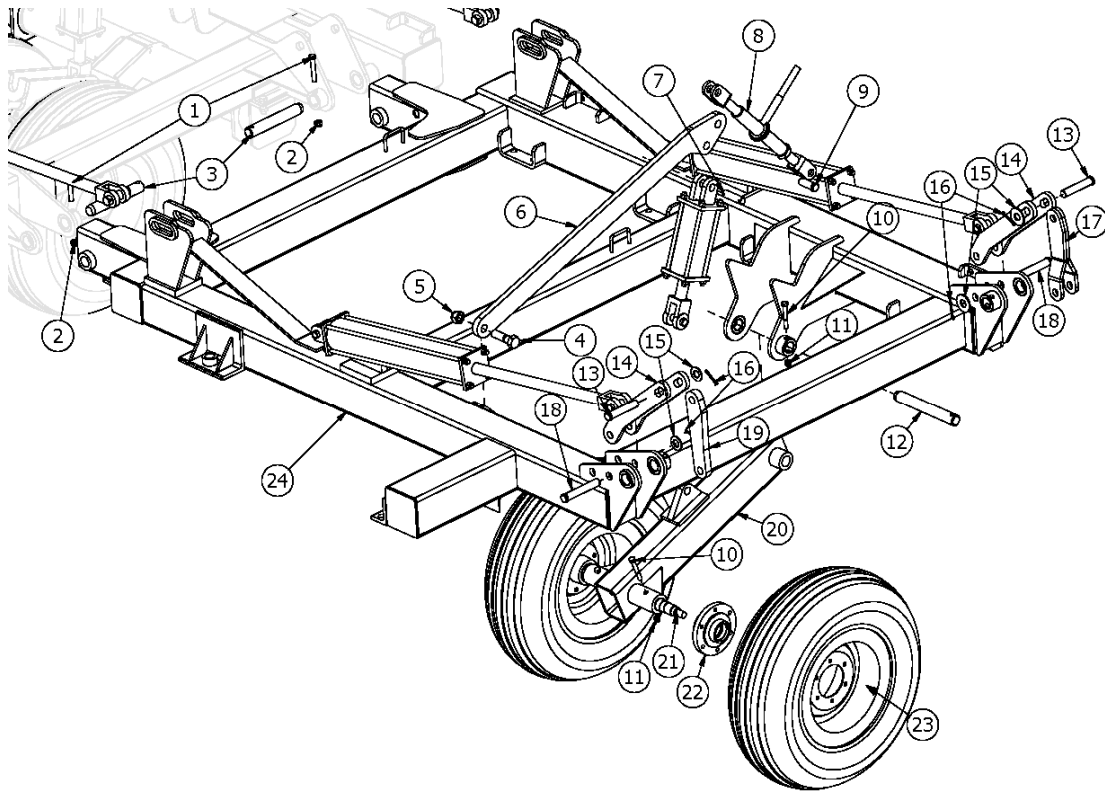


Key	Part No.	Description	Notes/Revisions
1	BHY-5635	9/16 - 12 X 2 1/2 GRADE 8 BOLT	
2	NLT-5612	9/16-12 TOP LOCK NUT	
3	RT-2107	WING HINGE PIN, 1 1/2 X 9 5/8	
4	BHY-1033	1" - 8 X 3 1/4 GRADE 8 HEX BOLT	
5	NLT-1008	1" - 8 TOP LOCK NUT	
6	RD-4624 RD-4496 RD-4492	WING AXLE CYLINDER ARM WING AXLE CYLINDER ARM WING AXLE CYLINDER ARM	sn 12054 - 14761 sn 12053 - lower
7	HYO-2103	CYLINDER CLEVIS PIN, 1 X 3	
8	CP-3620	3/16 X 2 COTTER PIN	
9	HYO-2008 HYO-2004	RATCHET JACK, 8" STROKE RATCHET JACK, 4" STROKE	sn 14761 - lower
10	HD-1149	1 X 2 1/2 CLEVIS PIN	
11	BHY-5035	1/2 - 13 X 3 1/2 GRADE 8 HEX BOLT	
12	NLT-5013	1/2 - 13 TOP LOCK NUT	
13	WDL-2714	WING AXLE PIVOT PIN, 1 1/2 X 11 1/16	
14	RD-4493 RD-4494 RD-4490	WING AXLE ASSEMBLY, LEFT (4020 only) WING AXLE ASSEMBLY, RIGHT (4020 only) WING AXLE ASSEMBLY, DUAL (all models)	sn 13060 - lower sn 13060 - lower
15	WDL-2505	SPINDLE, 1 3/4 X 9 1/2	
16	HD-1371	6-HOLE HUB ASSEMBLY	See hub diagram for details
17	11L-15 8T	TIRE ONLY, 11L - 15, 8 PLY	
18	HD-1368	RIM, 15 X 8, 6-BOLT, 2900 LB	

## WING FRAME (continued)

19	RD-4368	WING FRAME, LEFT (4020)	
	RD-4341	WING FRAME, LEFT (4020)	sn 12054 - 14761
	RD-4320	WING FRAME, LEFT (4020)	sn 12053 – lower
	RD-4369	WING FRAME, RIGHT (4020)	
	RD-4342	WING FRAME, RIGHT (4020)	sn 12054 - 14761
	RD-4321	WING FRAME, RIGHT (4020)	sn 12053 – lower
19	RD-4370	WING FRAME, LEFT (4025)	
	RD-4343	WING FRAME, LEFT (4025)	sn 12054 - 14761
	RD-4325	WING FRAME, LEFT (4025)	sn 12053 – lower
	RD-4371	WING FRAME, RIGHT (4025)	
	RD-4344	WING FRAME, RIGHT (4025)	sn 12054 - 14761
	RD-4326	WING FRAME, RIGHT (4025)	sn 12053 – lower
19	RD-4372	WING FRAME, LEFT (4030)	
	RD-4330	WING FRAME, LEFT (4030)	sn 12054 - 14761
	RD-4345	WING FRAME, LEFT (4030)	sn 12053 – lower
	RD-4373	WING FRAME, RIGHT (4030)	
	RD-4331	WING FRAME, RIGHT (4030)	sn 12054 - 14761
	RD-4346	WING FRAME, RIGHT (4030)	sn 12053 – lower
19	RD-4374	WING FRAME, LEFT (4035)	
	RD-4347	WING FRAME, LEFT (4035)	sn 12054 - 14761
	RD-4335	WING FRAME, LEFT (4035)	sn 12053 – lower
	RD-4375	WING FRAME, RIGHT (4035)	
	RD-4348	WING FRAME, RIGHT (4035)	sn 12054 - 14761
	RD-4336	WING FRAME, RIGHT (4035)	sn 12053 – lower

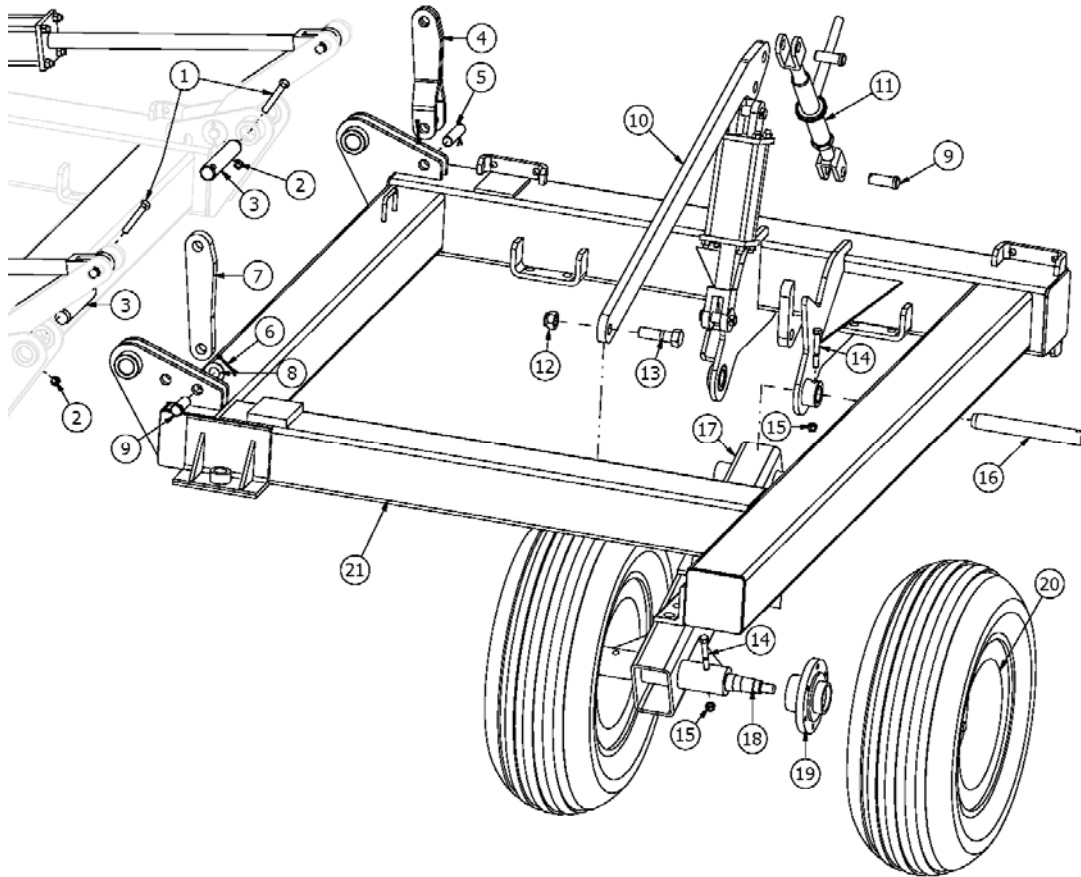
**WING FRAME, INSIDE  
FOR 4044**



Key	Part No.	Description	Notes/Revisions
1	BHY-5635	9/16 - 12 X 2 1/2 GRADE 8 BOLT	
2	NLT-5612	9/16-12 TOP LOCK NUT	
3	RT-2107	WING HINGE PIN, 1 1/2 X 9 5/8	
4	BHY-1033	1" - 8 X 3 1/4 GRADE 8 HEX BOLT	
5	NLT-1008	1" - 8 TOP LOCK NUT	
6	RD-4624 RD-4496	WING AXLE CYLINDER ARM WING AXLE CYLINDER ARM	sn 14761 - lower
7	HYO-2103	CYLINDER CLEVIS PIN, 1 X 3	
8	HYO-2008 HYO-2004	RATCHET JACK, 8" STROKE RATCHET JACK, 4" STROKE	sn 14761 - lower
9	HD-1149	1 X 2 1/2 CLEVIS PIN	
10	BHY-5035	1/2 - 13 X 3 1/2 GRADE 8 HEX BOLT	
11	NLT-5013	1/2 - 13 TOP LOCK NUT	
12	WDL-2714	WING AXLE PIVOT PIN, 1 1/2 X 11 1/16	
13	CL-1005	PIN, CLEVIS, 1 X 5	
14	RD-4423	WING LINKAGE ASSEMBLY	
15	FWP-0100	1" PLAIN FLAT WASHER	
16	CP-3620	3/16 X 2 COTTER PIN	
17	RD-4424	WING FOLD ARM, DOUBLE	
18	CL-1006	PIN, CLEVIS, 1 X 6	
19	RD-4419	WING FOLD ARM, SINGLE	
20	RD-4490	WING AXLE ASSEMBLY, DUAL	
21	WDL-2505	WING AXLE SPINDLE	
22	HD-1371	6-HOLE HUB ASSEMBLY	
23	HD-1368	RIM, 15X8, 6 BOLT, 2900 LB.	
24	RD-4376 RD-4363 RD-4377 RD-4364	WING FRAME ASSEMBLY. LEFT INSIDE WING FRAME ASSEMBLY. LEFT INSIDE WING FRAME ASSEMBLY. RIGHT INSIDE WING FRAME ASSEMBLY. RIGHT INSIDE	sn 14761 - lower sn 14761 - lower

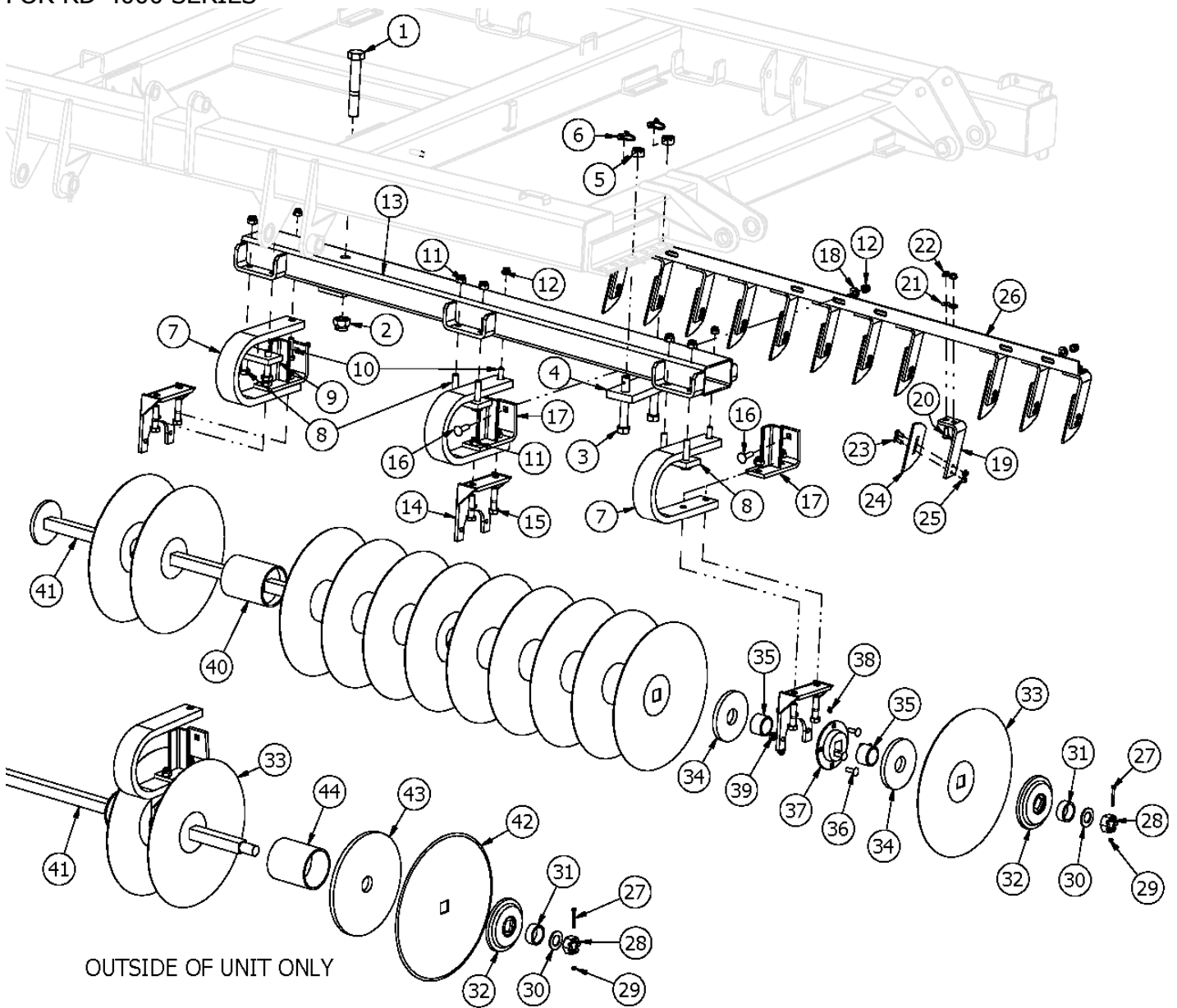


**WING FRAME, OUTSIDE  
FOR 4044**



Key	Part No.	Description	Notes/Revisions
1	BHY-5635	9/16 - 12 X 2 1/2 GRADE 8 BOLT	
2	NLT-5612	9/16-12 TOP LOCK NUT	
3	SPR-2712	HING PIN, 1 1/2 X 8 1/4	
4	RD-4424	WING FOLD ARM, DOUBLE	
5	HYO-2103	PIN, CYLINDER CLEVIS, 1 X 3 1/2	
6	CP-3620	3/16 X 2 COTTER PIN	
7	RD-4419	WING FOLD ARM, SINGLE	
8	FWP-0100	1" PLAIN FLAT WASHER	
9	HD-1149	1 X 2 1/2 CLEVIS PIN	
10	RD-4624 RD-4496	WING AXLE CYLINDER ARM WING AXLE CYLINDER ARM	sn 14761 - lower
11	HYO-2008 HYO-2004	RATCHET JACK, 8" STROKE RATCHET JACK, 4" STROKE	sn 14761 - lower
12	NLT-1008	1" - 8 TOP LOCK NUT	
13	BHY-1033	1" - 8 X 3 1/4 GRADE 8 HEX BOLT	
14	BHY-5035	1/2 - 13 X 3 1/2 GRADE 8 HEX BOLT	
15	NLT-5013	1/2 - 13 TOP LOCK NUT	
16	WDL-2714	WING AXLE PIVOT PIN, 1 1/2 X 11 1/16	
17	RD-4490	WING AXLE ASSEMBLY, DUAL	
18	WDL-2505	WING AXLE SPINDLE	
19	HD-1371	6-HOLE HUB ASSEMBLY	
20	HD-1368	RIM, 15X8, 6 BOLT, 2900 LB.	
21	RD-4378 RD-4365 RD-4379 RD-4366	WING FRAME ASSEMBLY. LEFT OUTSIDE WING FRAME ASSEMBLY, LEFT OUTSIDE WING FRAME ASSEMBLY. RIGHT OUTSIDE WING FRAME ASSEMBLY, RIGHT OUTSIDE	sn 14761 - lower sn 14761 - lower

**DISK GANG  
FOR RD-4000 SERIES**



OUTSIDE OF UNIT ONLY

Key	Part No.	Description	Notes/Revisions
1	BHY-1380	1 1/4 - 7 X 8 GRADE 8 HEX BOLT	
2	NY-1307	1 1/4 - 7 NYLON LOCK NUT	
3	RD-4431 BHY-1070 BHY-8865	1-8 X 7 GRADE 8 HEX BOLT w/CROSS HOLE 1-8 X 7 GRADE 8 HEX BOLT 7/8-9 X 6 1/2 GRADE 8 HEX BOLT	sn 12306 - 14109 sn 12305 - lower
4	RD-4439 RD-4478	DISK MOUNT TUBE CLAMP PLATE DISK MOUNT TUBE CLAMP PLATE (3/4")	sn 12305 - lower
5	NC-1008 NLT-1008 NLT-8809	1- 8 CASTLE NUT 1 - 8 TOP LOCK NUT 1- 8 TOP LOCK NUT	sn 12306 - 14109 sn 12305 - lower
6	LP-1420 N/A	1/4 X 2 LYNCH PIN	sn 12305 - lower
7	RD-4470	DISK GANG SPRING	
8	BHY-7535	3/4 - 10 X 3 1/2 GRADE 8 HEX BOLT	
9	RT-2611	DISK SPRING CLAMP PLATE	

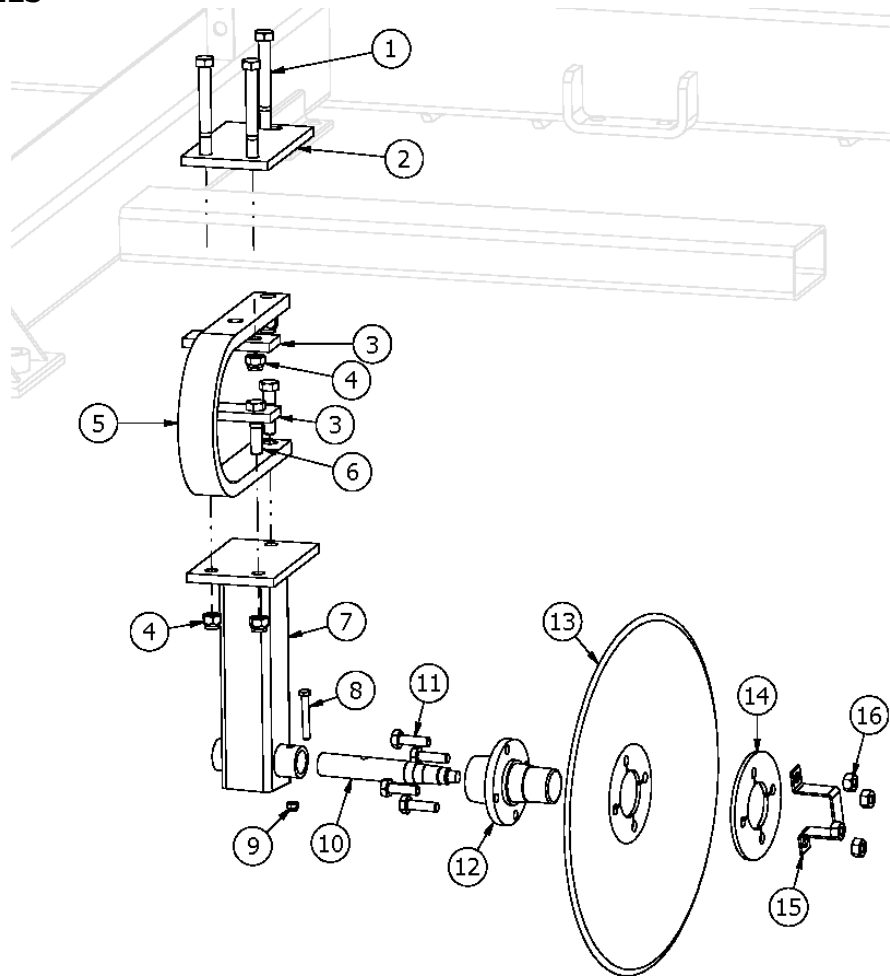
**DISK GANG (continued)**

10	BH-6325	5/8 – 11 X 2 1/2 GRADE 5 HEX BOLT	
11	NLT-7510	3/4 - 10 TOP LOCK NUT	
12	NLT-6311	5/8 - 11 TOP LOCK NUT	
13	RD-4448	DISK MOUNT TUBE, LEFT (4012-4014)	sn 12946 – lower
	RD-4446	DISK MOUNT TUBE, LEFT (4014)	
13	RD-4449	DISK MOUNT TUBE, RIGHT (4012-4014)	sn 12946 - lower
	RD-4447	DISK MOUNT TUBE, RIGHT (4014)	
13	RD-4440	DISK MOUNT TUBE, MAIN, LEFT (4020)	
13	RD-4441	DISK MOUNT TUBE, MAIN, RIGHT (4020)	
13	RD-4450	DISK MOUNT TUBE, WING, LEFT (4020)	
13	RD-4451	DISK MOUNT TUBE, WING, RIGHT (4020)	
13	RD-4442	DISK MOUNT TUBE, MAIN, LEFT (4025-4030)	
13	RD-4443	DISK MOUNT TUBE, MAIN, RIGHT (4025-4030)	
13	RD-4452	DISK MOUNT TUBE, WING, LEFT (4025)	
13	RD-4453	DISK MOUNT TUBE, WING, RIGHT (4025)	
13	RD-4454	DISK MOUNT TUBE, WING, LEFT (4030)	
13	RD-4455	DISK MOUNT TUBE, WING, RIGHT (4030)	
13	RD-4444	DISK MOUNT TUBE, MAIN, LEFT (4035)	
13	RD-4445	DISK MOUNT TUBE, MAIN, RIGHT (4035)	
13	RD-4456	DISK MOUNT TUBE, WING, LEFT (4035)	
13	RD-4457	DISK MOUNT TUBE, WING, RIGHT (4035)	
13	RD-4402	DISK MOUNT TUBE, MAIN, LEFT (4044)	
13	RD-4403	DISK MOUNT TUBE, MAIN, RIGHT (4044)	
13	RD-4404	DISK MOUNT TUBE, WING, LEFT INSIDE (4044)	
13	RD-4405	DISK MOUNT TUBE, WING, RIGHT INSIDE (4044)	
13	RD-4406	DISK MOUNT TUBE, WING, LEFT OUTSIDE (4044)	
13	RD-4407	DISK MOUNT TUBE, WING, RIGHT OUTSIDE (4044)	
14	RD-4472	DISK BEARING MOUNT	
15	BHY-7530	3/4 – 10 X 3 GRADE 8 HEX BOLT	
16	BC-6320	5/8 – 11 X 2 CARRIAGE BOLT	
17	RD-4530	SCRAPER MOUNT BRACKET	
18	FW-0063	5/8 FLAT WASHER	
19	RD-4531	SCRAPER ARM	
20	BC-4413	7/16 – 14 X 1 1/4 CARRIAGE BOLT	
21	FW-0044	7/16 FLAT WASHER	
22	NLT-4414	7/16 - 14 TOP LOCK NUT	
23	BC-3810	3/8 – 16 X 1 CARRIAGE BOLT	
24	RD-4532	SCRAPER	
25	NLT-3816	3/8 – 16 TOP LOCK NUTS	
26	RD-4558	SCRAPER MNT ANGLE, LEFT (4012)	
26	RD-4559	SCRAPER MNT ANGLE, RIGHT (4012)	
26	RD-4537	SCRAPER MNT ANGLE, LEFT (4014)	
26	RD-4538	SCRAPER MNT ANGLE, RIGHT (4014)	
26	RD-4540	SCRAPER MNT ANGLE, LEFT CENTER (4020)	
26	RD-4541	SCRAPER MNT ANGLE, RIGHT CENTER (4020)	
26	RD-4550	SCRAPER MNT ANGLE, LEFT WING (4020)	
26	RD-4551	SCRAPER MNT ANGLE, RIGHT WING (4020)	
26	RD-4542	SCRAPER MNT ANGLE, LEFT CENTER (4025-4030)	
26	RD-4543	SCRAPER MNT ANGLE, RIGHT CENTER (4025-4030)	
26	RD-4552	SCRAPER MNT ANGLE, LEFT WING (4025)	
26	RD-4553	SCRAPER MNT ANGLE, RIGHT WING (4025)	
26	RD-4554	SCRAPER MNT ANGLE, LEFT WING (4030)	
26	RD-4555	SCRAPER MNT ANGLE, RIGHT WING (4030)	
26	RD-4544	SCRAPER MNT ANGLE, LEFT CENTER (4035)	
26	RD-4545	SCRAPER MNT ANGLE, RIGHT CENTER (4035)	

## DISK GANG (continued)

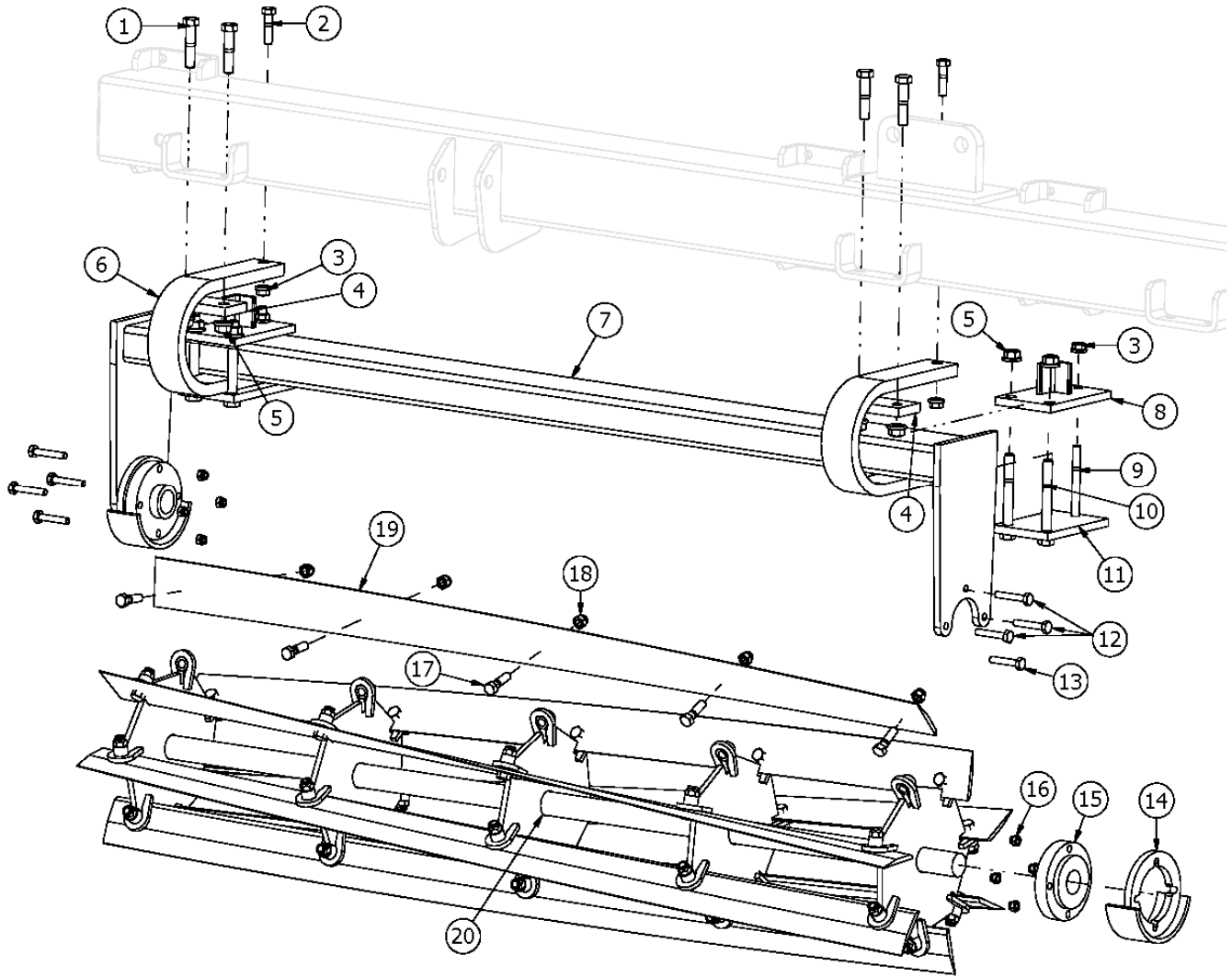
26	RD-4552	SCRAPER MNT ANGLE, LEFT INSIDE WING (4035)	
26	RD-4553	SCRAPER MNT ANGLE, LEFT OUTSIDE WING (4035)	
26	RD-4553	SCRAPER MNT ANGLE, RIGHT INSIDE WING (4035)	
26	RD-4557	SCRAPER MNT ANGLE, RIGHT OUTSIDE WING (4035)	
26	RD-4542	SCRAPER MNT ANGLE, LEFT CENTER (4044)	
26	RD-4543	SCRAPER MNT ANGLE, RIGHT CENTER (4044)	
26	RD-4544	SCRAPER MNT ANGLE, LEFT INSIDE WING (4044)	
26	RD-4558	SCRAPER MNT ANGLE, LEFT OUTSIDE WING (4044)	
26	RD-4545	SCRAPER MNT ANGLE, RIGHT INSIDE WING (4044)	
26	RD-4559	SCRAPER MNT ANGLE, RIGHT OUTSIDE WING (4044)	
27	BH-2525	1/4 – 20 X 2 1/2 GRADE 5 HEX BOLT	
28	NC-1406	1 3/8– 6 CASTLE NUT	
29	NLT-2520	1/4 TOP LOCK NUT	
30	FW-0138	1 3/8 MACHINE WASHER	
31	RD-4843 N/A	DISK END SPACER DOM	sn 12946 – lower
32	RD-4471	DISK GANG TENSION WASHER	
33	RD-4477	DISK BLADE, 5mm, 20"	
33	RD-4479	DISK BLADE, 6mm, 20"	
34	RD-4841 RT-2269	DISK BEARING SPACER PLATE DISK BEARING SPACER PLATE w/BUSHING	sn 12071 – lower
35	RD-4840	DISK BEARING SPACER DOM, 5mm BLADES (1.771")	sn 13665 - higher sn 12072 – sn 12946 sn 12071 - lower
35	RD-4844	DISK BEARING SPACER DOM, 6mm BLADES (1.709")	
	RT-2269.01 N/A	DISK BEARING SPACER DOM, 5mm & 6 mm (2.115")	
36	BC-5015	1/2 – 13 X 1 1/2 CARRIAGE BOLT	
37	RD-4498 RD-4466 RT-2274 RD-4467 RD-4468	DISK GANG BEARING, RIVETED, 1 1/2 SQUARE DISK GANG BEARING, ASSEMBLED, 1 1/2 SQUARE DISK GANG BEARING INSERT, 1 1/2 SQUARE DISK GANG BEARING FLANGE DISK GANG BEARING FLANGE WITH ZERK	sn 12946 - lower sn 12946 – lower sn 12946 – lower sn 12946 - lower
38	GZ-0601	GREASE ZERK	
39	NLF-5013	1/2" FLANGED LOCK NUT	
40	RT-2260	GANG SPOOL, 6 3/4	
41	RD-4830	DISK GANG SHAFT, 7 BLADE – 47" (4020)	When replacing on units with sn 12947 and lower, part RD-4843 must be ordered for each gang shaft.
41	RD-4831	DISK GANG SHAFT, 8 BLADE – 54" (4035)	
41	RD-4832	DISK GANG SHAFT, 9 BLADE – 61" (4020-4025)	
41	RD-4837	DISK GANG SHAFT, 10 BLADE – 68" (4012,4044)	
41	RD-4833	DISK GANG SHAFT, 11 BLADE – 75" (4014)	
41	RD-4834	DISK GANG SHAFT, 12 BLADE – 82" (4025,4030,4044)	
41	RD-4835	DISK GANG SHAFT, 13 BLADE – 89" (4030)	
41	RD-4836	DISK GANG SHAFT, 14 BLADE – 96" (4035,4044)	
42	SPR-2068	COULTER BLADE (OUTSIDE OF UNIT ONLY)	
43	RD-4475	BLADE SUPPORT PLATE (OUTSIDE OF UNIT ONLY)	
44	RD-4474	GANG SPOOL, 6 3/16" (OUTSIDE OF UNIT ONLY)	

**CENTER COVERING DISK  
FOR RD-4000 SERIES**



Key	Part No.	Description	Notes/Revisions
1	BH-6355	5/8 – 11 X 5 1/2 GRADE 5 HEX BOLT	
2	RD-4464	SPRING CLAMP PLATE	
3	RD-4432	SPRING CLAMP PLATE	
4	NLT-6311	5/8 - 11 TOP LOCK NUT	
5	RD-4465	CENTER DISK SPRING	
6	BH-6325	5/8 – 11 X 2 1/2 GRADE 5 HEX BOLT	
7	RD-4461	CENTER DISK BRACKET, LT	
7	RD-4462	CENTER DISK BRACKET, RT	
7	RD-4561	CENTER DISK BRACKET, LT (4020 & 4044)	
7	RD-4562	CENTER DISK BRACKET, RT (4020 & 4044)	
8	BH-3825	3/8 – 16 X 2 1/2 GRADE 5 HEX BOLT	
9	NLT-3816	3/8 – 16 TOP LOCK NUTS	
10	HD-1122	SPINDLE, 1 1/4 X 8 1/4	
11	HD-1191	WHEEL STUD, 1/2-20 x 1-7/8	
12	HD-1190	4-BOLT HUB ASSEMBLY	
13	RD-4460	BLADE, CONCAVE, 4-BOLT, 20"	
14	RD-4463	CENTER DISK HUB PLATE	
15	RD-4499	CENTER DISK HUB RETAINER	
	N/A		sn 13664 - lower
16	NL-5020	1/2" - 20 LOCK NUT	

**SPIRAL REEL  
FOR RD-4000 SERIES**

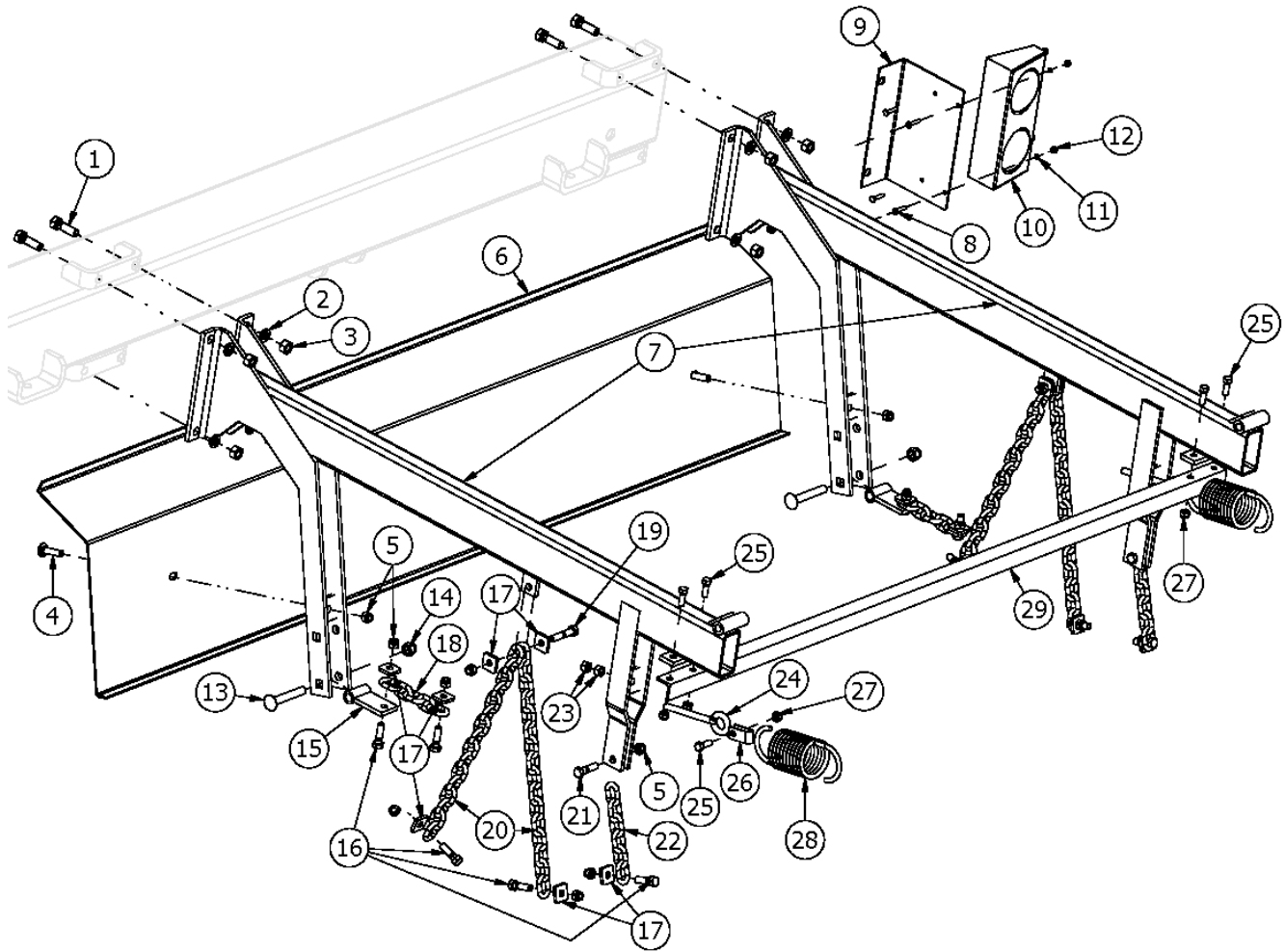


Key	Part No.	Description	Notes/Revisions
1	BHY-7535	3/4 - 10 X 3 1/2 GRADE 8 BOLT	
2	BHY-6325	5/8-11 X 2 1/2 GRADE 8 BOLT	
3	NLT-6311	5/8 - 11 TOP LOCK NUT	
4	RT-2611	C-SPRING TOP CLAMP	
5	NLT-7510	3/4 - 10 TOP LOCK NUT	
6	SPR-2039	SPIRAL REEL C-SPRING	
7	RD-4648	48" SPIRAL REEL MOUNT - 49"	Refer to layout diagram for position and size on each unit.
7	RD-4651	51" SPIRAL REEL MOUNT - 52"	
7	RD-4658	58" SPIRAL REEL MOUNT - 59"	
7	RD-4666	66" SPIRAL REEL MOUNT - 67"	
7	RD-4672	72" SPIRAL REEL MOUNT - 73"	
7	RD-4680	80" SPIRAL REEL MOUNT - 81"	
7	RD-4695	95" SPIRAL REEL MOUNT - 95"	
8	RD-4485	C-SPRING CLAMP WITH STOP	
9	BHY-6365	5/8 - 11 X 6 1/2 GRADE 8 HEX BOLT	
10	BHY-7565	3/4 - 10 X 6 1/2 GRADE 8 HEX BOLT	
11	RT-2310	C-SPRING CLAMP, 6"	
12	BHY-5030	1/2 - 13 X 3 GRADE 8 HEX BOLT	

**SPIRAL REEL (continued)**

13	BH-5028	1/2 – 13 X 2 3/4 GRADE 5 HEX BOLT	
14	SPR-2353	BEARING GUARD, 5/8"	Replaces SPR-2350 & SPR-2351
15	SPR-5105	SPIRAL REEL BEARING ASSEMBLY	
15	SPR-5106	SPIRAL REEL BEARING HOUSING	
15	SPR-5107	SPIRAL REEL BEARING	
16	NLT-5013	1/2 - 13 TOP LOCK NUT	
17	BHP-6323	5/8 X 2 1/4 HEX BOLT	
18	NLT-6311	5/8 - 11 TOP LOCK NUT	
19	SPR-5048	SPIRAL REEL BLADE, 48"	Refer to layout diagram for position and size on each unit.
19	SPR-5051	SPIRAL REEL BLADE, 51"	
19	SPR-5058	SPIRAL REEL BLADE, 58"	
19	SPR-5066	SPIRAL REEL BLADE, 66"	
19	SPR-5072	SPIRAL REEL BLADE, 72"	
19	SPR-5080	SPIRAL REEL BLADE, 80"	
19	SPR-5095	SPIRAL REEL BLADE, 95"	
20	RD-4748	48" SPIRAL REEL	Refer to layout diagram for position and size on each unit.
20	RD-4751	51" SPIRAL REEL	
20	RD-4758	58" SPIRAL REEL	
20	RD-4766	66" SPIRAL REEL	
20	RD-4772	72" SPIRAL REEL	
20	RD-4780	80" SPIRAL REEL	
20	RD-4795	95" SPIRAL REEL	

**LIFT ARM  
FOR RD-4000 SERIES**



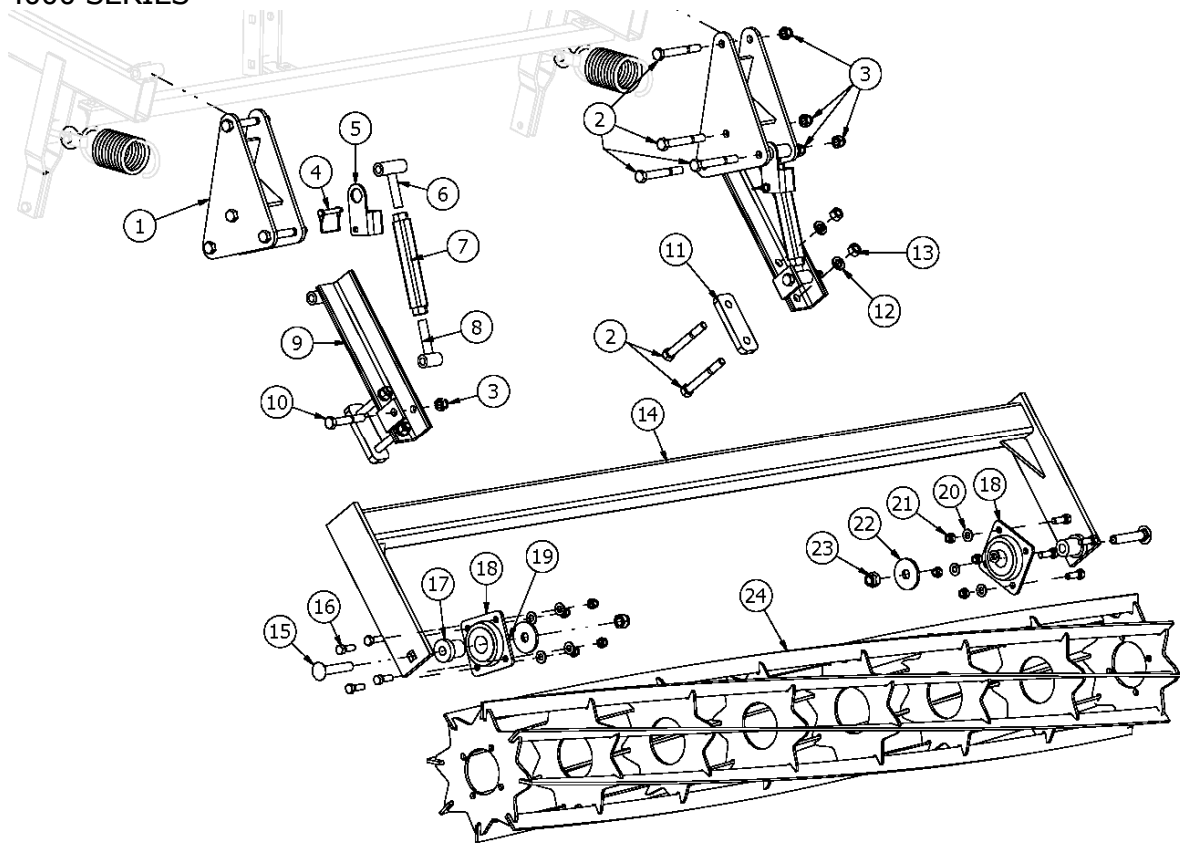
Key	Part No.	Description	Notes/Revisions
1	BH-6320	5/8 – 11 X 2 GRADE 5 HEX BOLT	
2	LW-0063	5/8 LOCK WASHER	
3	NH-6311	5/8 – 11 HEX NUT	
4	BC-5020	1/2 X 2 GRADE 5 CARRIAGE BOLT	
5	NLT-5013	1/2 - 13 TOP LOCK NUT	
6	RD-4615	DEBRIS SHROUD – 51"	sn 12009 – lower
6	RD-4605	DEBRIS SHROUD – 51"	
6	RD-4616	DEBRIS SHROUD – 62"	sn 12009 – lower
6	RD-4606	DEBRIS SHROUD – 62"	
6	RD-4617	DEBRIS SHROUD – 73"	sn 12009 – lower
6	RD-4607	DEBRIS SHROUD – 73"	
6	RD-4618	DEBRIS SHROUD – 84"	sn 12009 – lower
6	RD-4608	DEBRIS SHROUD – 84"	
6	RD-4619	DEBRIS SHROUD – 95"	sn 12009 - lower
6	RD-4609	DEBRIS SHROUD – 95"	
7	RD-4481	LIFT ARM, 3 BAR	sn 12009 - lower
7	RD-4480	LIFT ARM, 3-BAR	
8	BH-2513	1/4 – 20 X 1 1/4 GRADE 5 HEX BOLT	
9	LB-1236	LIGHT BRACKET	
	LB-1234	LIGHT BRACKET W/LOCKUP STORAGE, LT	sn 13060 – lower
	LB-1235	LIGHT BRACKET W/LOCKUP STORAGE, RT	sn 13060 - lower



## LIFT ARM (continued)

10	LB-1101	LIGHT, LEFT	
10	LB-1102	LIGHT, RIGHT (SHOWN)	
11	LW-0025	1/4" LOCK WASHER	
12	NH-2520	1/4 – 20 HEX NUT	
13	BC-6340 BH-5020	5/8 X 4 CARRIAGE BOLT 1/2 X 2 BOLT	sn 12009 - lower
14	NLT-6311 NLT-5013	5/8 - 11 TOP LOCK NUT 1/2 – 13 TOP LOCK NUT	sn 12009 - lower
15	FA-4105 N/A	PULL HOOK	sn 12009 - lower
16	BH-5018	1/2 – 13 X 1 3/4 GRADE 5 HEX BOLT	
17	HDD-016	SQUARE WASHER, 1/2"	
18	CH-0805 CH-0808	5 LINK PULL CHAIN 8 LINK PULL CHAIN	sn 12009 - lower
19	BH-5025	1/2 – 13 X 2 1/2 GRADE 5 HEX BOLT	
20	CH-0818 CH-0816	18 LINK LIFT CHAIN 16 LINK LIFT CHAIN	sn 14165 - lower
21	BH-5020	1/2 – 13 X 2 GRADE 5 HEX BOLT	
22	CH-0808 CH-0806	8-LINK REAR LIFT CHAIN 6-LINK REAR LIFT CHAIN	sn 14165 - lower
23	NH-5013	1/2 – 13 HEX NUT	
24	EB-1203	EYE-BOLT, 1/2 X 3	
25	BH-4413	7/16 – 14 X 1 1/4 GRADE 5 HEX BOLT	
26	N-021	LOCK CLIP	
27	NLT-4414	7/16 - 14 TOP LOCK NUT	
28	RBH-0308	PIVOT PLATE TENSION SPRING	
29	SPR-4035	BRACE ANGLE, 35 - 3/8"	
29	SPR-4046	BRACE ANGLE, 46 - 3/8"	
29	SPR-4057	BRACE ANGLE, 57 - 3/8"	
29	SPR-4068	BRACE ANGLE, 68 - 3/8"	
29	SPR-4079	BRACE ANGLE, 79 – 3/8"	

**ROLLING BASKET  
FOR RD-4000 SERIES**

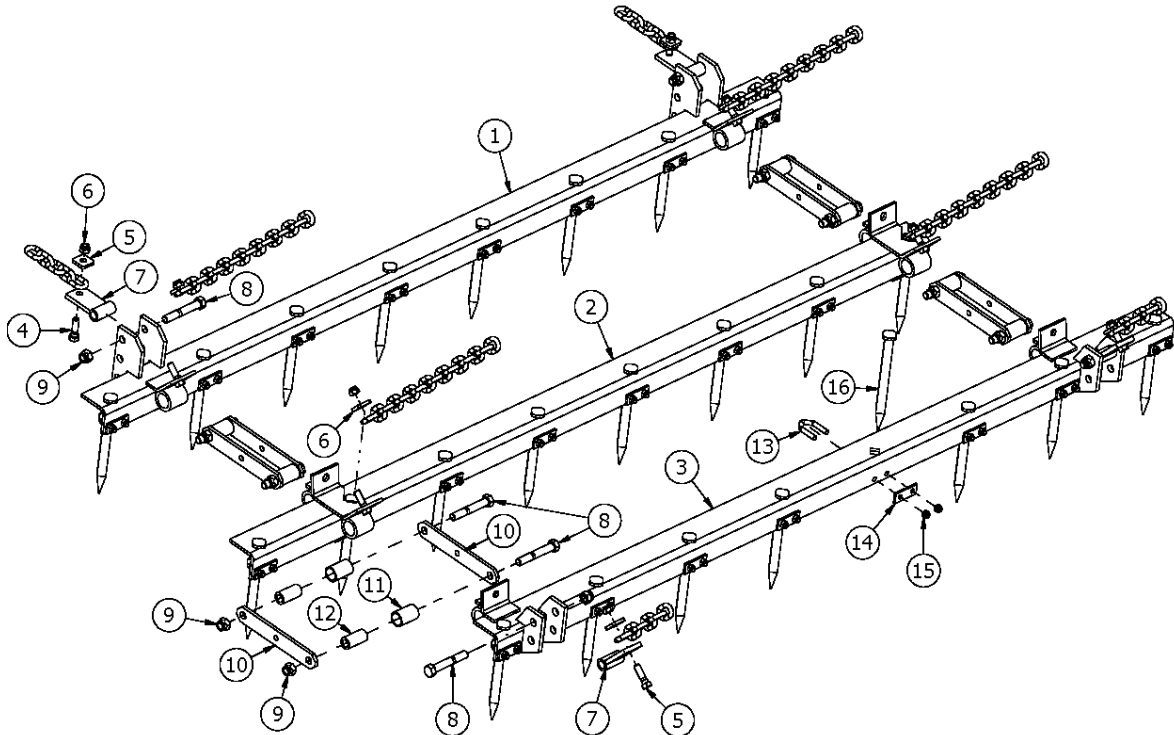


Key	Part No.	Description	Notes/Revisions
1	RT-2402	PIVOT PLATE	
2	BH-6350 N/A	5/8 – 11 X 5 GRADE 5 HEX BOLT	sn 12071 - lower
3	NLT-6311	5/8 – 11 TOP LOCK NUT	
4	LP-3825	3/8 X 2 1/2 LYNCH PIN	
5	RT-2415	TURNBUCKLE LOCK	
6	RT-2411	PIVOT END TURNBUCKLE	
7	RT-2412	TURNBUCKLE TUBE	
8	RT-2413	ANGLE END TURNBUCKLE	
9	RD-4495 RT-2408	ROLLING BASKET SWING ARM ROLLING BASKET SWING ARM	sn 12071 - lower
10	BH-6340	5/8 – 11 X4 GRADE 5 HEX BOLT	
11	RD-4578 BU-5834	ROLLING BASKET SWING ARM CLAMP 5/8 X 3 X 4 1/2 U-BOLT	sn 15066 - lower
12	LW-0063	5/8 LOCK WASHER	
13	NH-6311	5/8 – 11 HEX NUT	
14	SRB-1352 SRB-1252	BASKET MOUNT TUBE – 52" BASKET MOUNT TUBE – 52"	sn 11951 – lower
14	SRB-1363 SRB-1263	BASKET MOUNT TUBE – 63" BASKET MOUNT TUBE – 63"	sn 11951 – lower
14	SRB-1374 SRB-1274	BASKET MOUNT TUBE – 74" BASKET MOUNT TUBE – 74"	sn 11951 – lower
14	SRB-1385 SRB-1285	BASKET MOUNT TUBE – 85" BASKET MOUNT TUBE – 85"	sn 11951 – lower
14	SRB-1396 SRB-1296	BASKET MOUNT TUBE – 96" BASKET MOUNT TUBE – 96"	sn 11951 - lower

## ROLLING BASKET (continued)

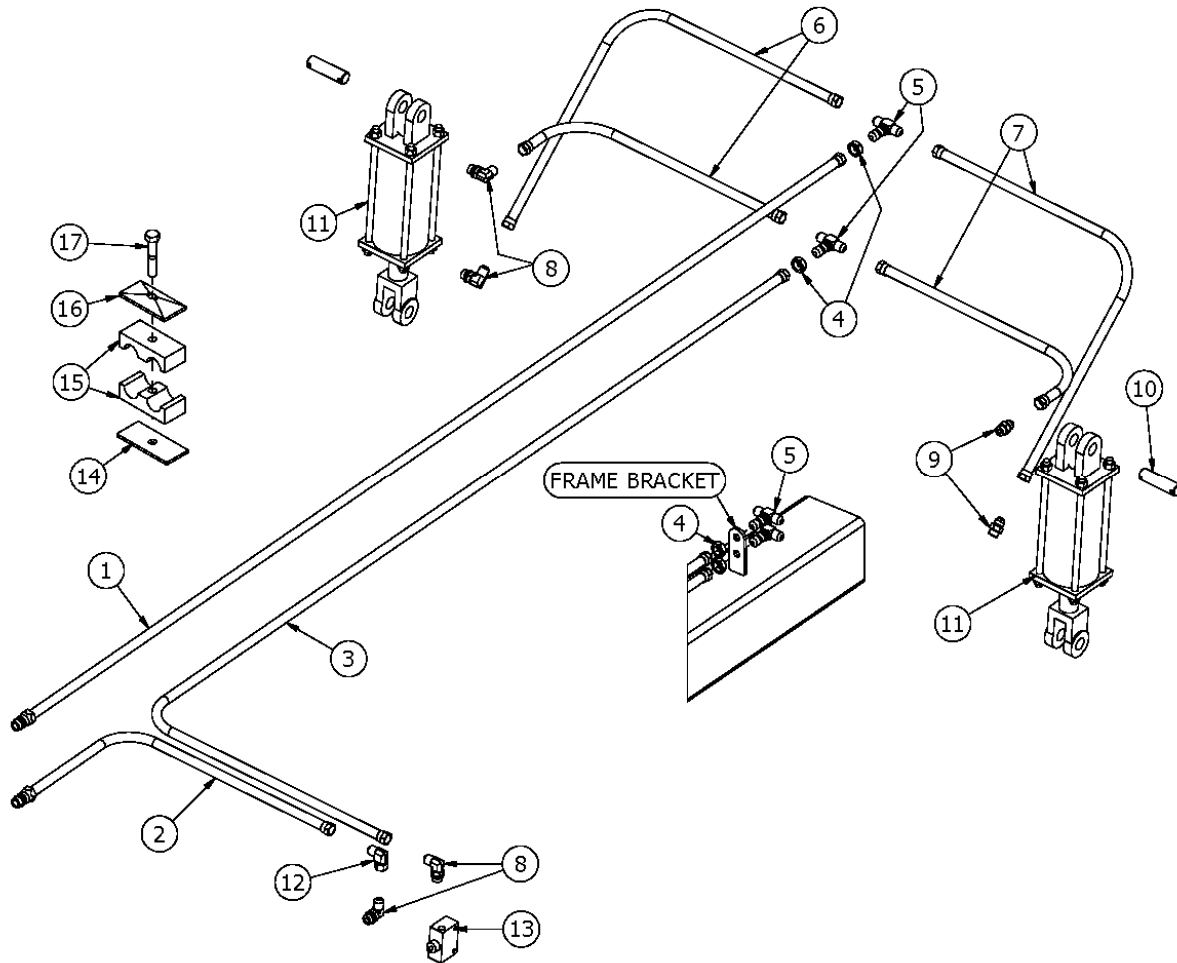
15	BC-7540 BC-7545 BC-7535 BHY-7530	3/4 X 4 CARRIAGE BOLT 3/4 X 4 1/2 CARRIAGE BOLT 3/4 X 3 1/2 CARRIAGE BOLT 3/4 X 3 GRADE 8 HEX BOLT	sn 12072 - 12755 sn 11952 - 12071 sn 11951 - lower
16	BH-5015 BH-3815	1/2 – 13 X 1 1/2 GRADE 5 HEX BOLT 3/8 – 16 X 1 1/2 GRADE 5 HEX BOLT	sn 12755 - lower
17	SRB-1408 DRB-1226 DRB-1225 RT-3521	BASKET BEARING INSERT – 2.125" BASKET BEARING INSERT – 2.75" BASKET BEARING INSERT – 1.875" BASKET BEARING INSERT – 1.375"	sn 12072 - 12755 sn 11952 - 12071 sn 11951 - lower
18	DRB-3826 DRB-3822 DRB-3820 DRB-3821 DRB-3823	BASKET BEARING, RIVETED, 1 1/4 ROUND BASKET BEARING WITH 3-BOLT FLANGES BASKET BEARING BASKET BEARING FLANGE, 3-BOLT BASKET BEARING FLANGE, 3-BOLT w/ZERK	sn 12755 – lower sn 12755 – lower sn 12755 – lower sn 12755 - lower
19	DRB-3827	LOCK COLLAR FOR 3-BOLT FLANGE BEARING	sn 12072 – 12755 not shown in diagram
20	FW-0050 FW-0038	1/2 FLAT WASHER 3/8 FLAT WASHER	sn 12755 - lower
21	NLT-5013 NLT-3816	1/2 - 13 TOP LOCK NUT 3/8 – 16 TOP LOCK NUT	sn 12755 - lower
22	SRB-1406	BEARING WASHER, 2 3/4 OD X 13/16 ID X 1/4	
23	NLT-7510	3/4 - 10 TOP LOCK NUT	
24	SRB-1552	ROLLING BASKET – 52"	sn 12755 – lower
24	SRB-1152	ROLLING BASKET, 3 BOLT – 52"	
24	SRB-1563	ROLLING BASKET – 63"	sn 12755 – lower
24	SRB-1163	ROLLING BASKET, 3 BOLT – 63"	
24	SRB-1574	ROLLING BASKET – 74"	sn 12755 – lower
24	SRB-1174	ROLLING BASKET, 3 BOLT – 74"	
24	SRB-1585	ROLLING BASKET – 85"	sn 12755 – lower
24	SRB-1185	ROLLING BASKET, 3 BOLT – 85"	
24	SRB-1596	ROLLING BASKET – 96"	sn 12755 - lower
24	SRB-1196	ROLLING BASKET, 3 BOLT – 96"	

**FA HARROW SECTION  
FOR RD-4000 SERIES**



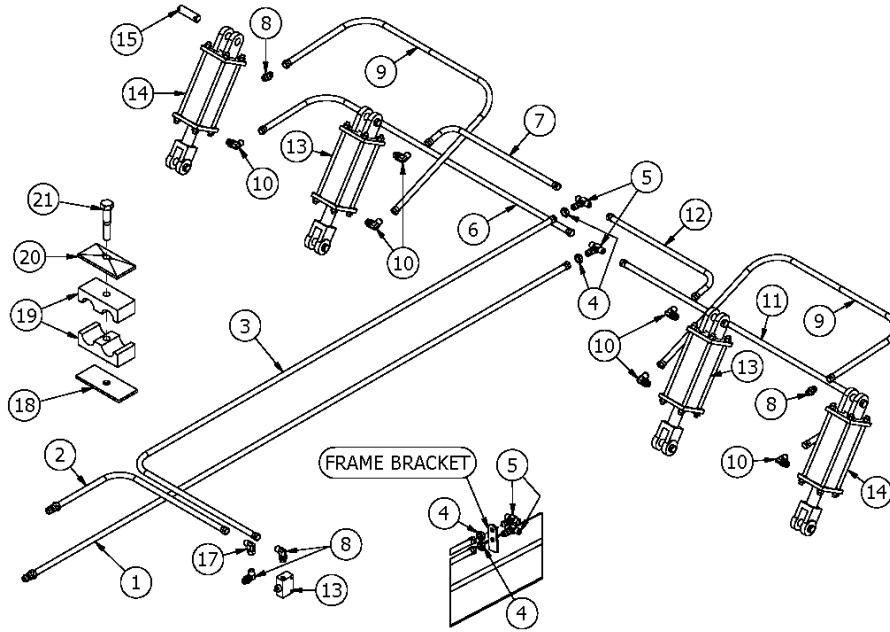
Key	Part No.	Description	Notes/Revisions
1	FA-551	NUMBER ONE HARROW BAR (FA-500-3)	
1	FA-651	NUMBER ONE HARROW BAR (FA-600-3)	
1	FA-751	NUMBER ONE HARROW BAR (FA-700-3)	
1	FA-851	NUMBER ONE HARROW BAR (FA-800-3)	
1	FA-951	NUMBER ONE HARROW BAR (FA-900-3)	
2	FA-556	NUMBER TWO HARROW BAR (FA-500-3)	
2	FA-656	NUMBER TWO HARROW BAR (FA-600-3)	
2	FA-756	NUMBER TWO HARROW BAR (FA-700-3)	
2	FA-856	NUMBER TWO HARROW BAR (FA-800-3)	
2	FA-956	NUMBER TWO HARROW BAR (FA-900-3)	
3	FA-557	NUMBER THREE HARROW BAR (FA-500-3)	
3	FA-657	NUMBER THREE HARROW BAR (FA-600-3)	
3	FA-757	NUMBER THREE HARROW BAR (FA-700-3)	
3	FA-857	NUMBER THREE HARROW BAR (FA-800-3)	
3	FA-957	NUMBER THREE HARROW BAR (FA-900-3)	
4	BH-5018	1/2 – 13 X 1 3/4 GRADE 5 HEX BOLT	
5	HDD-016	SQUARE WASHER – 1/2"	
6	NLT-5013	1/2 - 13 TOP LOCK NUT	
7	FA-5104	PULL HOOK	
8	BH-6340	5/8 – 11 X 4 GRADE 5 HEX BOLT	
9	NLT-6311	5/8 – 11 TOP LOCK NUT	
10	CT-105	CONNECTOR FLAT	
11	CT-107	OUTER BUSHING	
12	CT-102	INNER BUSHING	
13	BV-3812	3/8" V BOLT	
14	FA-4103	3/8" V-BOLT PLATE	
15	NLT-3816	3/8 – 16 TOP LOCK NUT	
16	CT-106	3/4" X 12" TOOTH	

**WHEEL LIFT HYDRAULICS  
FOR RD-4012 AND 4014**



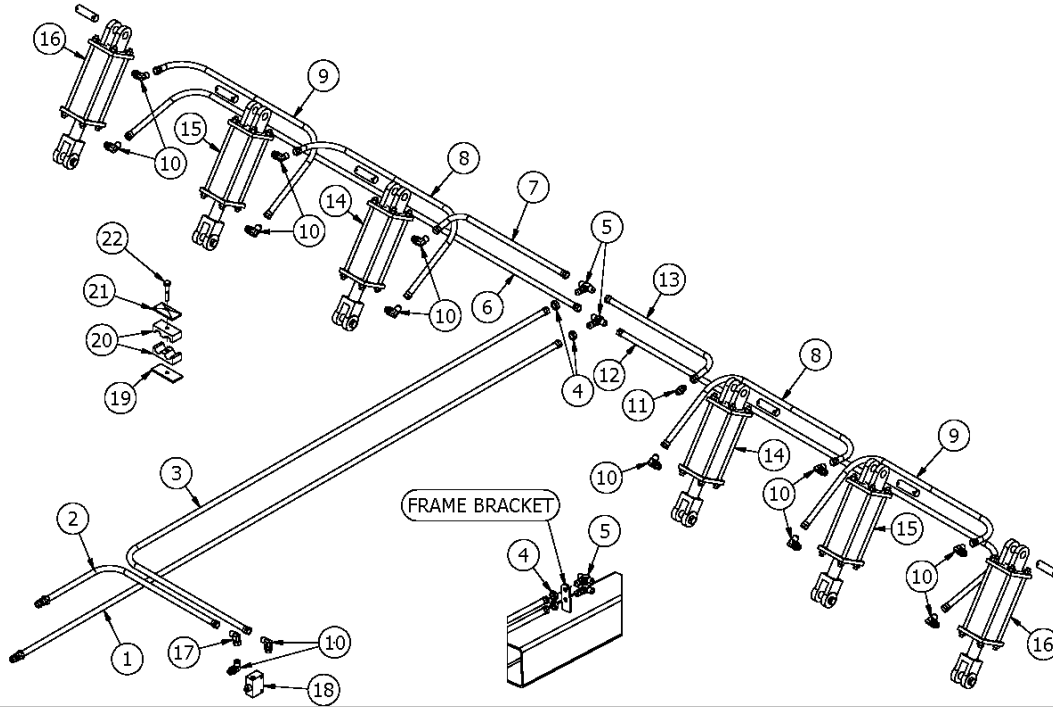
Key	Part No.	Description	Notes/Revisions
1	HYH-3236	1/2" X 236" HYDRAULIC HOSE (w/one 1/2" pipe end)	
2	HYH-3200	1/2" X 200" HYDRAULIC HOSE (w/one 1/2" pipe end)	
3	HYH-2094	1/2" X 94" HYDRAULIC HOSE	
4	HYO-4002	1/2" TEE NUT	
5	HYF-1222	TEE (1/2"m – 1/2"m – 1/2"m)	
6	HYH-2024	1/2" X 24" HYDRAULIC HOSE	
7	HYH-2070	1/2" X 70" HYDRAULIC HOSE	
8	HYF-2220	ELBOW (1/2"m – 1/2" o-ring)	
9	HYF-3220	ADAPTER (1/2"m – 1/2" o-ring)	
10	HYO-2103	CYLINDER CLEVIS PIN, 1 X 3 1/2	
11	HYA-4008	4" X 8" CYLINDER, ASAE	
12	HYF-2022	ELBOW (1/2"m – 1/2" f)	
13	HYO-3021	HYDRAULIC STOP VALVE	
	HYO-1201	CONSISTS OF 14, 15, 16 AND 17	
14	HYO-1206	HYDRAULIC CLAMP WELD PLATE, 1/2	
15	HYO-1202	HYDRAULIC CLAMP BODY, 1/2 (3/4 O.D.)	
16	HYO-1204	HYDRAULIC CLAMP COVER, 1/2	
17	HYO-1208	HYDRAULIC CLAMP BOLT, 1/2 (1 3/4)	
<b>HYDRAULIC CYLINDER SEAL KITS</b>			
	639564	SEAL KIT FOR HYA-4008 CYLINDER	MONARCH

**WHEEL LIFT HYDRAULICS**  
**FOR RD-4020, 4025, 4030 AND 4035**



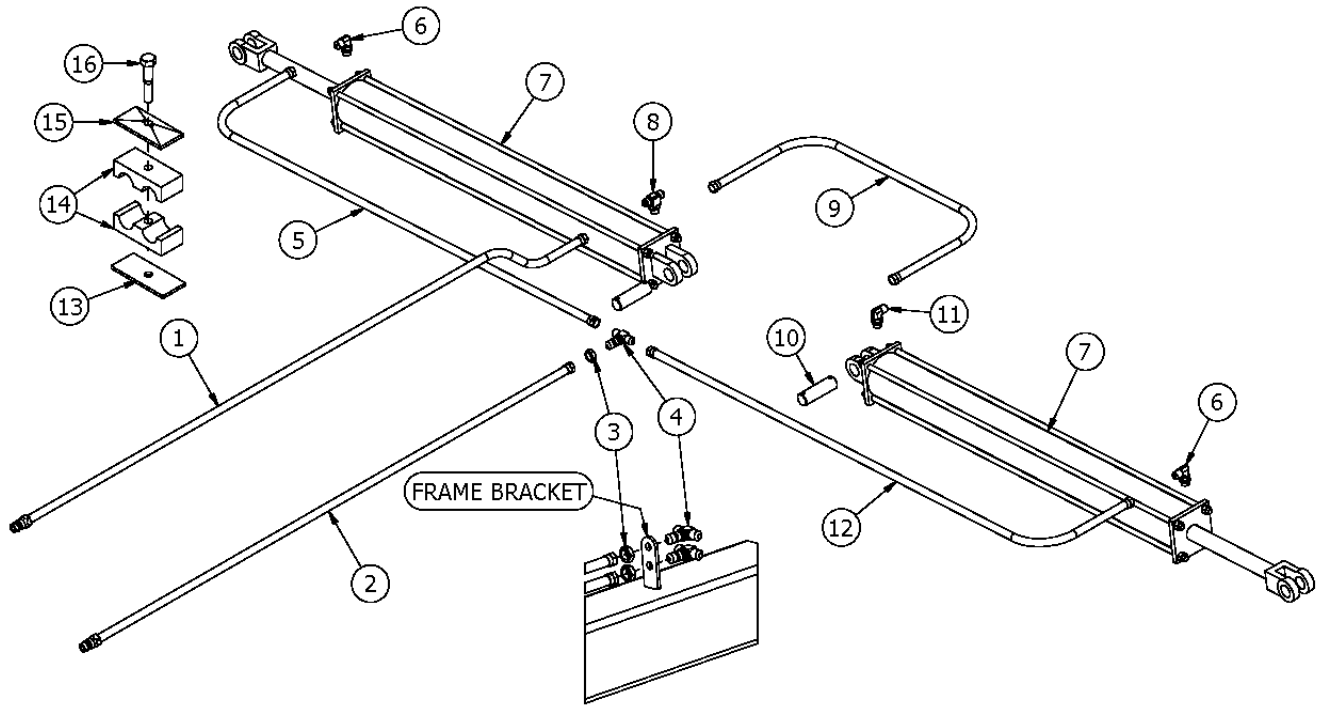
Key	Part No.	Description	Notes/Revisions
1	HYH-3236	1/2" X 236" HYDRAULIC HOSE (w/one 1/2" pipe end)	
2	HYH-3200	1/2" X 200" HYDRAULIC HOSE (w/one 1/2" pipe end)	RD-4020, 4025 AND 4030
	HYH-3206	1/2" X 206" HYDRAULIC HOSE (w/one 1/2" pipe end)	RD-4035
3	HYH-2088	1/2" X 88" HYDRAULIC HOSE	RD-4020
	HYH-2094	1/2" X 94" HYDRAULIC HOSE	RD-4025 and RD-4030
	HYH-2098	1/2" X 98" HYDRAULIC HOSE	RD-4035
4	HYO-4002	1/2" TEE NUT	
5	HYF-1222	TEE (1/2"m – 1/2"m – 1/2"m)	
6	HYH-2088	1/2" X 88" HYDRAULIC HOSE	
7	HYH-2024	1/2" X 24" HYDRAULIC HOSE	
8	HYF-3220	ADAPTER (1/2"m – 1/2" o-ring)	
9	HYH-2065	1/2" X 65" HYDRAULIC HOSE	
10	HYF-2220	ELBOW (1/2"m – 1/2" o-ring)	
11	HYH-2108	1/2" X 108" HYDRAULIC HOSE	
12	HYH-2044	1/2" X 44" HYDRAULIC HOSE	
13	HYR-4208	4 1/4" X 8" REPHASING CYLINDER (MONARCH)	
	DHR 425-8-150	4 1/4" X 8" REPHASING CYLINDER (MIDWAY)	
14	HYR-4008	4" X 8" REPHASING CYLINDER (MONARCH)	
	DHR-400-8-138	4" X 8" REPHASING CYLINDER (MIDWAY)	
15	HYO-2103	CYLINDER CLEVIS PIN, 1 X 3 1/2	
16	HYF-2022	ELBOW (1/2"m – 1/2"f)	
17	HYO-3021	HYDRAULIC STOP VALVE	
	HYO-1201	CONSISTS OF 18, 19, 20 AND 21	
18	HYO-1206	HYDRAULIC CLAMP WELD PLATE, 1/2	
19	HYO-1202	HYDRAULIC CLAMP BODY, 1/2 (3/4" O.D.)	
20	HYO-1204	HYDRAULIC CLAMP COVER, 1/2	
21	HYO-1208	HYDRAULIC CLAMP BOLT, 1/2 (1 3/4)	
<b>HYDRAULIC CYLINDER SEAL KITS</b>			
	639567	SEAL KIT FOR HYR-4208 CYLINDER	MONARCH
	4A6104	SEAL KIT FOR DHR 425-8-150 EBCS CYLINDER	MIDWAY
	639564	SEAL KIT FOR HYR-4008 CYLINDER	MONARCH
	4A6104	SEAL KIT FOR DHR 400-8-138 EBCS CYLINDER	MIDWAY

# WHEEL LIFT HYDRAULICS FOR RD-4044



Key	Part No.	Description	Notes/Revisions
1	HYH-3236	1/2" X 236" HYDRAULIC HOSE (w/one 1/2" pipe end)	
2	HYH-3200	1/2" X 200" HYDRAULIC HOSE (w/one 1/2" pipe end)	
3	HYH-2098	1/2" X 98" HYDRAULIC HOSE	
4	HYO-4002	1/2" TEE NUT	
5	HYF-1222	TEE (1/2"m – 1/2"m – 1/2"m)	
6	HYH-2244	1/2" X 244" HYDRAULIC HOSE	
7	HYH-2024	1/2" X 24" HYDRAULIC HOSE	
8	HYF-2115	1/2" X 115" HYDRAULIC HOSE	
9	HYH-2104	1/2" X 104" HYDRAULIC HOSE	
10	HYF-2220	ELBOW (1/2"m – 1/2" o-ring)	
11	HYF-3220	ADAPTER (1/2"m – 1/2" o-ring)	
12	HYH-2276	1/2" X 276" HYDRAULIC HOSE	
13	HYH-2055	1/2" X 55" HYDRAULIC HOSE	
14	HYR-4208	4 1/4" X 8" REPHASING CYLINDER (MONARCH)	
	DHR 425-8-150	4 1/4" X 8" REPHASING CYLINDER (MIDWAY)	
15	HYR-4008	4" X 8" REPHASING CYLINDER (MONARCH)	
	DHR-400-8-138	4" X 8" REPHASING CYLINDER (MIDWAY)	
16	HYR-3808	3 3/4" X 8" REPHASING CYLINDER	
17	HYF-2022	ELBOW (1/2"m – 1/2"f)	
18	HYO-3021	HYDRAULIC STOP VALVE	
	HYO-1201	CONSISTS OF 19, 20, 21 AND 22	
19	HYO-1206	HYDRAULIC CLAMP WELD PLATE, 1/2	
20	HYO-1202	HYDRAULIC CLAMP BODY, 1/2 (3/4" O.D.)	
21	HYO-1204	HYDRAULIC CLAMP COVER, 1/2	
22	HYO-1208	HYDRAULIC CLAMP BOLT, 1/2 (1 3/4)	
<b>HYDRAULIC CYLINDER SEAL KITS</b>			
	639567	SEAL KIT FOR HYR-4208 CYLINDER	MONARCH
	4A6104	SEAL KIT FOR DHR 425-8-150 EBCS	MIDWAY
	639564	SEAL KIT FOR HYR-4008 CYLINDER	MONARCH
	4A6104	SEAL KIT FOR DHR 400-8-138 EBCS	MIDWAY
	639563	SEAL KIT FOR HYR-3808 CYLINDER	MONARCH

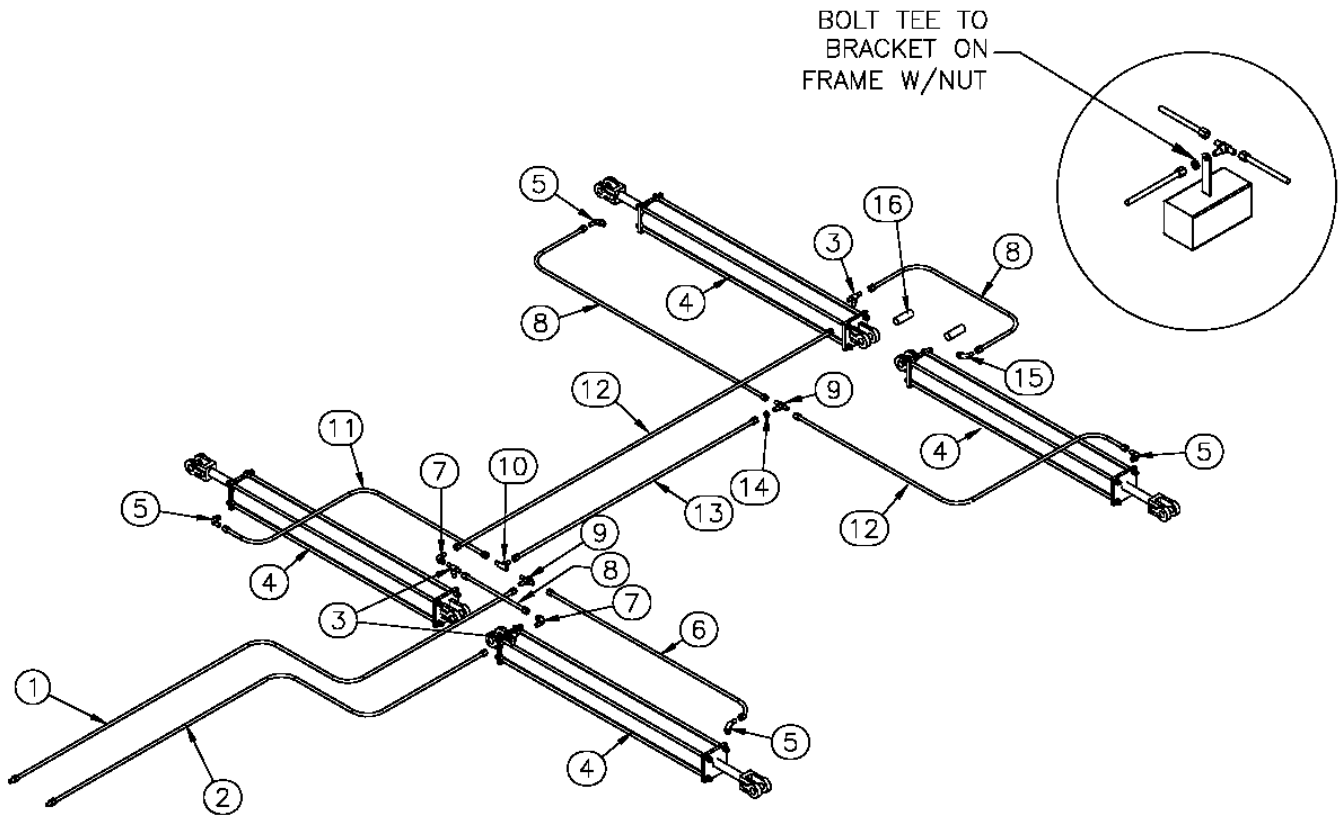
**WING FOLD HYDRAULICS**  
FOR RD-4020, 4025 AND 4030



Key	Part No.	Description	Notes/Revisions
1	HYH-3260	1/2" X 260" HYDRAULIC HOSE (w/one 1/2" pipe end)	
2	HYH-3250	1/2" X 250" HYDRAULIC HOSE (w/one 1/2" pipe end)	
3	HYO-4002	1/2" TEE NUT	
4	HYF-1222	TEE (1/2"m – 1/2"m – 1/2"m)	
5	HYH-2030	1/2" x 30" HYDRAULIC HOSE	
6	HYF-2221	ELBOW w/restrictor (1/2"m – 1/2" o-ring)	
7	HYC-4030 HYC-4040 DAH-400-40-200 HYC-4540 DAH-450-40-200	4" x 30" HYDRAULIC CYLINDER 4" X 40" HYDRAULIC CYLINDER (MONARCH) 4" X 40" HYDRAULIC CYLINDER (MIDWAY) 4 1/2" X 40" HYDRAULIC CYLINDER (MONARCH) 4 1/2" X 40" HYDRAULIC CYLINDER (MIDAY)	RD-4020 RD-4025 RD-4025 RD-4030 RD-4030
8	HYF-1202	TEE (1/2"m – 1/2" o-ring – 1/2"m)	
9	HYH-2024 HYH-2030	1/2" x 24" HYDRAULIC HOSE 1/2" x 30" HYDRAULIC HOSE	RD-4020 RD-4025 AND RD-4030
10	HYO-2123	CYLINDER CLEVIS PIN, 1 1/4 X 3 1/2	
11	HYF-2220	ELBOW (1/2"m – 1/2" o-ring)	
12	HYH-2050 HYH-2070	1/2" x 50" HYDRAULIC HOSE 1/2" x 70" HYDRAULIC HOSE	RD-4020 RD-4025 AND RD-4030
	HYO-1201	CONSISTS OF 13, 14, 15 AND 16	
13	HYO-1206	HYDRAULIC CLAMP WELD PLATE, 1/2	
14	HYO-1202	HYDRAULIC CLAMP BODY, 1/2 (3/4" O.D.)	
15	HYO-1204	HYDRAULIC CLAMP COVER, 1/2	
16	HYO-1208	HYDRAULIC CLAMP BOLT, 1/2 (1 3/4)	
<b>HYDRAULIC CYLINDER SEAL KITS</b>			
	639585	SEAL KIT FOR HYC-4030 CYLINDER	MONARCH
	639585	SEAL KIT FOR HYC-4040 CYLINDER	MONARCH
	5A6106	SEAL KIT FOR DAH-400-40-200 EBES	MIDWAY
	648121	SEAL KIT FOR HYC-4540 CYLINDER	MONARCH
	5A7116	SEAL KIT FOR DAH-450-40-200 EBES	MIDWAY

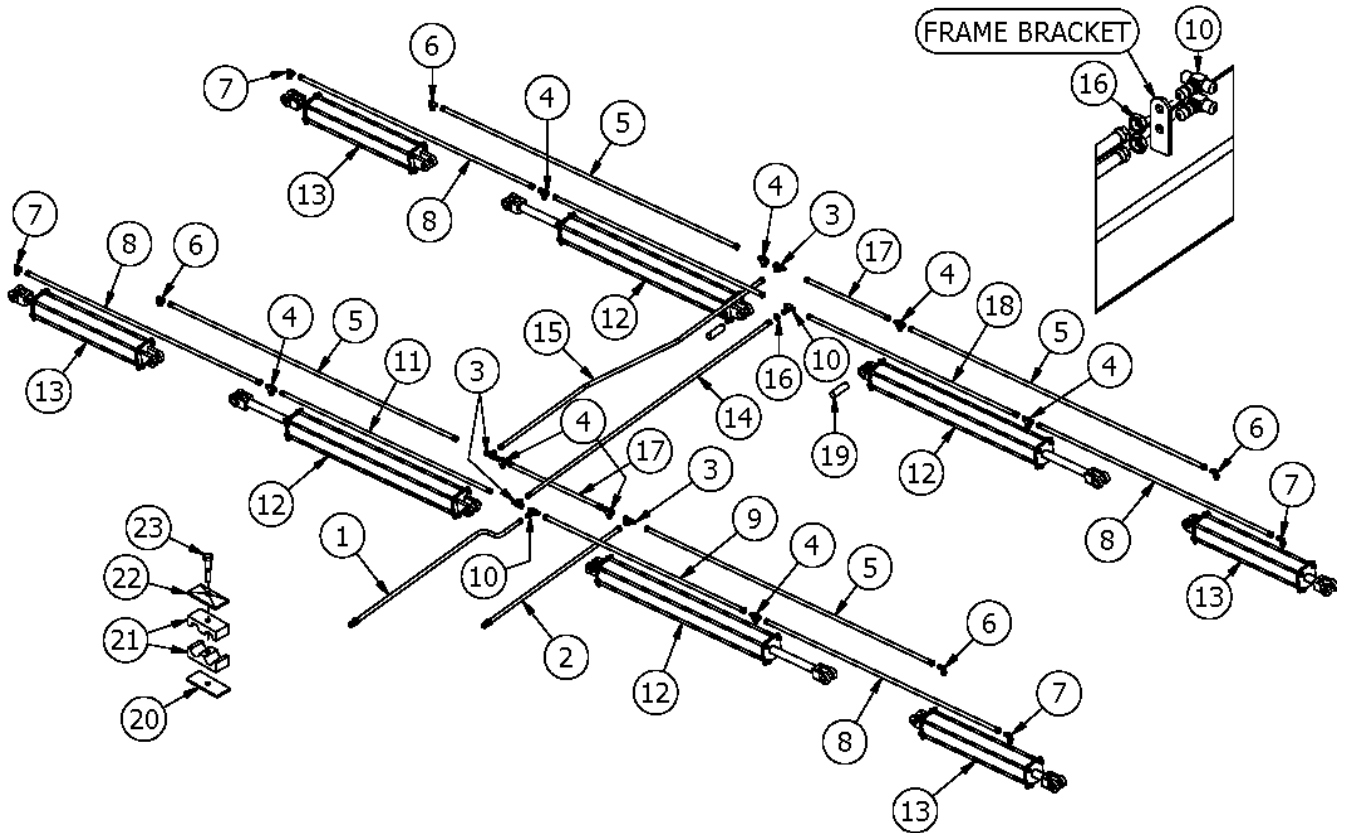


# WING FOLD HYDRAULICS FOR RD-4035



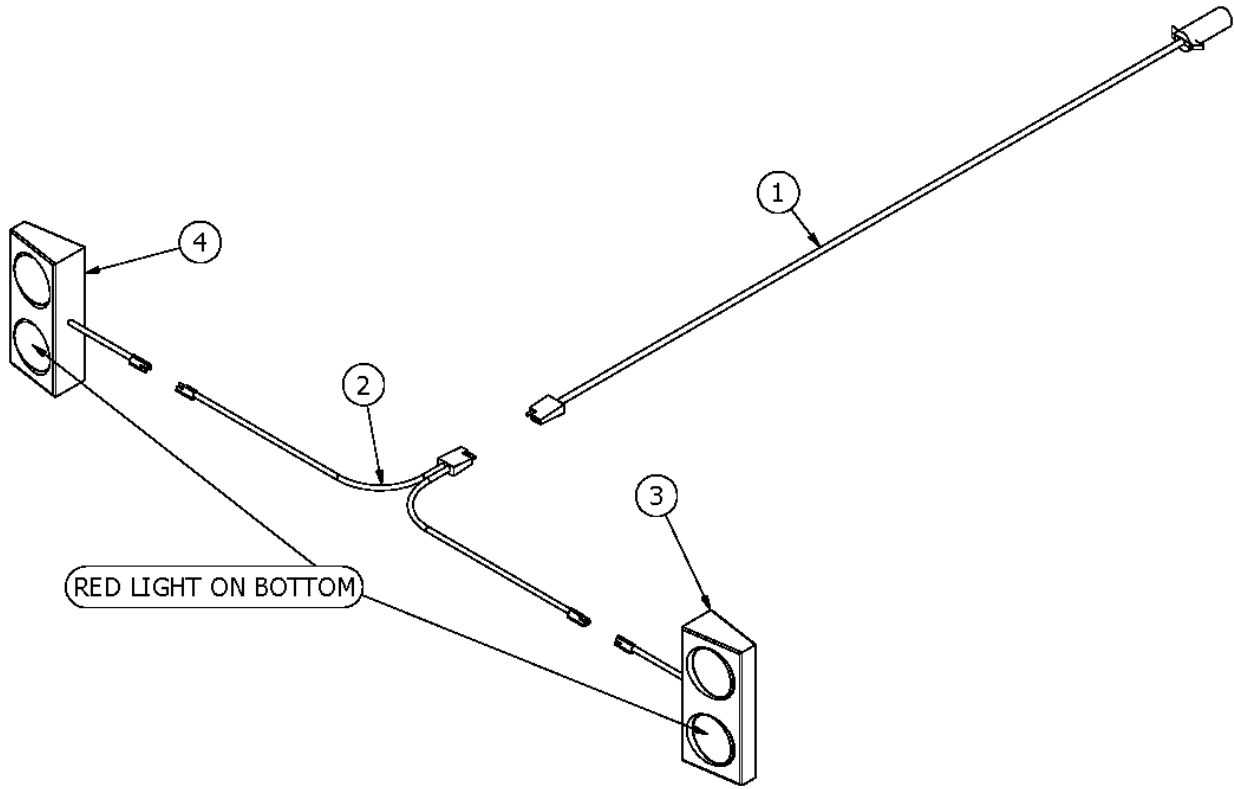
Key	Part No.	Description	Notes/Revisions
1	HYH-3174	1/2" X 260" HYDRAULIC HOSE (w/one 1/2" pipe end)	
2	HYH-3184	1/2" X 250" HYDRAULIC HOSE (w/one 1/2" pipe end)	
3	HYF-1202	1/2" TEE NUT	
4	HYC-3540 DAH-350-40-150	3 1/2" X 40" HYDRAULIC CYLINDER (MONARCH) 3 1/2" X 40" HYDRAULIC CYLINDER (MIDWAY)	
5	HYF-2221	ELBOW w/restrictor (1/2"m – 1/2" o-ring)	
6	HYH-2070	1/2" X 70" HYDRAULIC HOSE	
7	HYF-2022	ELBOW (1/2"m – 1/2" f)	
8	HYH-2036	1/2" X 36" HYDRAULIC HOSE	
9	HYF-1222	TEE (1/2" m – 1/2" m – 1/2"m)	
10	HYF-1223	TEE (1/2" m – 1/2" m – 1/2"m)	
11	HYF-2220	ELBOW (1/2"f – 1/2" o-ring)	
12	HYH-2084	1/2" x 84" HYDRAULIC HOSE	
13	HYH-2078	1/2" x 78" HYDRAULIC HOSE	
14	HYO-4002	1/2" TEE NUT	
15	HYF-2220	ELBOW (1/2"m – 1/2" o-ring)	
16	HYO-2123	CYLINDER CLEVIS PIN, 1 1/4 X 3 – 3 1/2	
<b>HYDRAULIC CYLINDER SEAL KITS</b>			
	639562	SEAL KIT FOR HYC-3540 CYLINDER (MONARCH)	MONARCH
	5A5104	SEAL KIT FOR HYC-3540 CYLINDER (MIDWAY)	MONARCH

**WING FOLD HYDRAULICS  
FOR RD-4044**



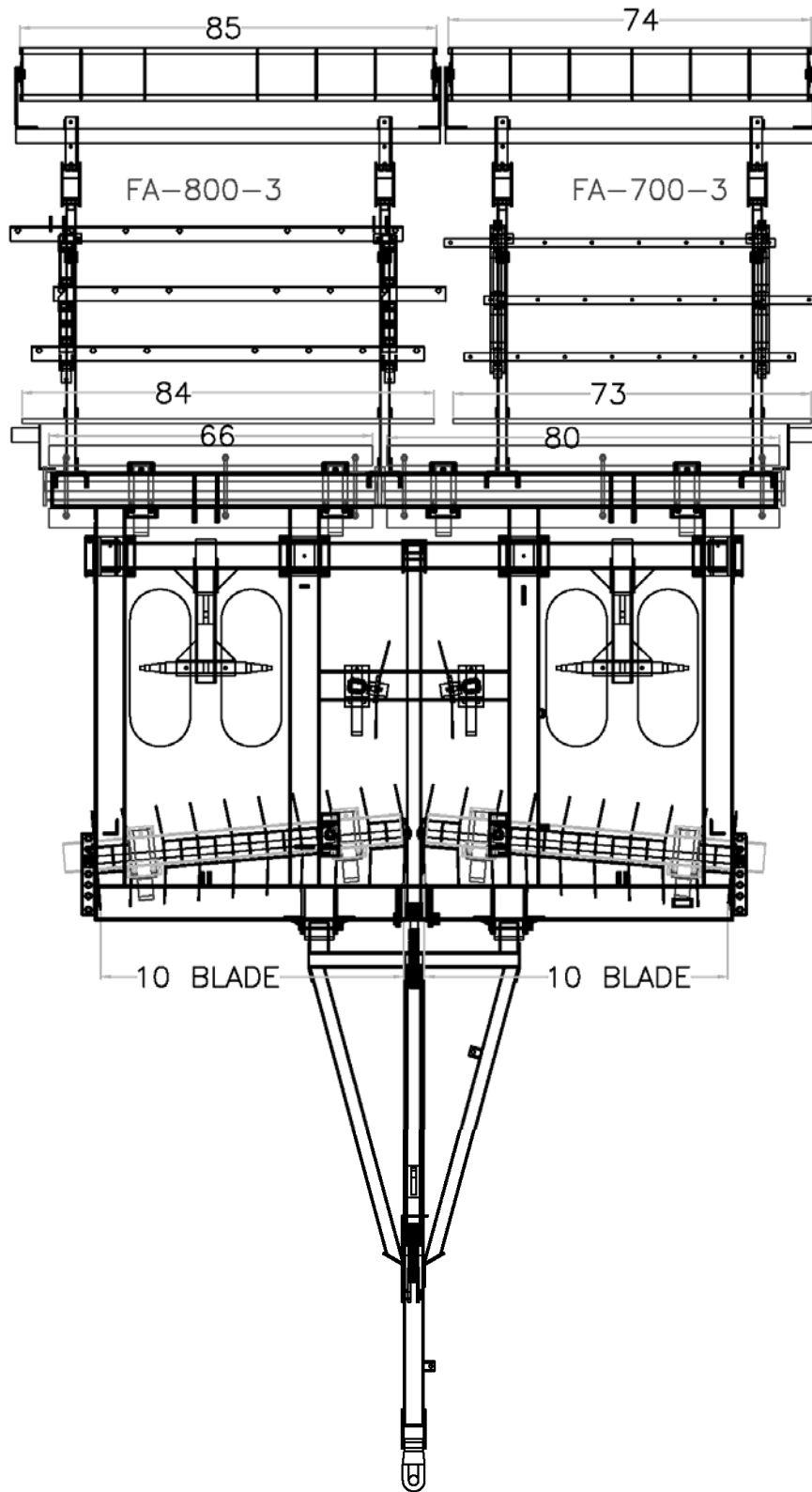
Key	Part No.	Description	Notes/Revisions
1	HYH-3192	1/2" X 192" HYDRAULIC HOSE (w/one 1/2" pipe end)	
2	HYH-3206	1/2" X 206" HYDRAULIC HOSE (w/one 1/2" pipe end)	
3	HYF-1223	TEE (1/2"m - 1/2"m - 1/2"f)	
4	HYF-1202	TEE (1/2"m - 1/2" o-ring - 1/2"m)	
5	HYH-2128	1/2" x 128" HYDRAULIC HOSE	
6	HYF-2220	ELBOW (1/2"m - 1/2" o-ring)	
7	HYF-2221	ELBOW w/restrictor (1/2"m - 1/2" o-ring)	
8	HYH-2115	1/2" x 115" HYDRAULIC HOSE	
9	HYH-2078	1/2" x 78" HYDRAULIC HOSE	
10	HYF-1222	TEE (1/2"m - 1/2"m - 1/2"m)	
11	HYH-2040	1/2" x 40" HYDRAULIC HOSE	
12	HYC-4036	4" X 36" HYDRAULIC CYLINDER	
13	HYC-4024	4" X 24" HYDRAULIC CYLINDER	
14	HYH-2074	1/2" x 74" HYDRAULIC HOSE	
15	HYH-2060	1/2" x 60" HYDRAULIC HOSE	
16	HYO-4002	1/2" TEE NUT	
17	HYH-2030	1/2" x 30" HYDRAULIC HOSE	
18	HYH-2074	1/2" x 74" HYDRAULIC HOSE	
19	HYO-2123	CYLINDER CLEVIS PIN, 1 1/4 X 3 1/2	
20	HYO-1206	HYDRAULIC CLAMP WELD PLATE, 1/2	
21	HYO-1202	HYDRAULIC CLAMP BODY, 1/2 (3/4" O.D.)	
22	HYO-1204	HYDRAULIC CLAMP COVER, 1/2	
23	HYO-1208	HYDRAULIC CLAMP BOLT, 1/2 (1 3/4)	
<b>HYDRAULIC CYLINDER SEAL KITS</b>			
	639585	SEAL KIT FOR HYC-4036 CYLINDER	MONARCH
	639566	SEAL KIT FOR HYC-4024 CYLINDER	MONARCH

**LIGHTING DIAGRAM**  
**FOR RD-4000 SERIES REEL DISK**

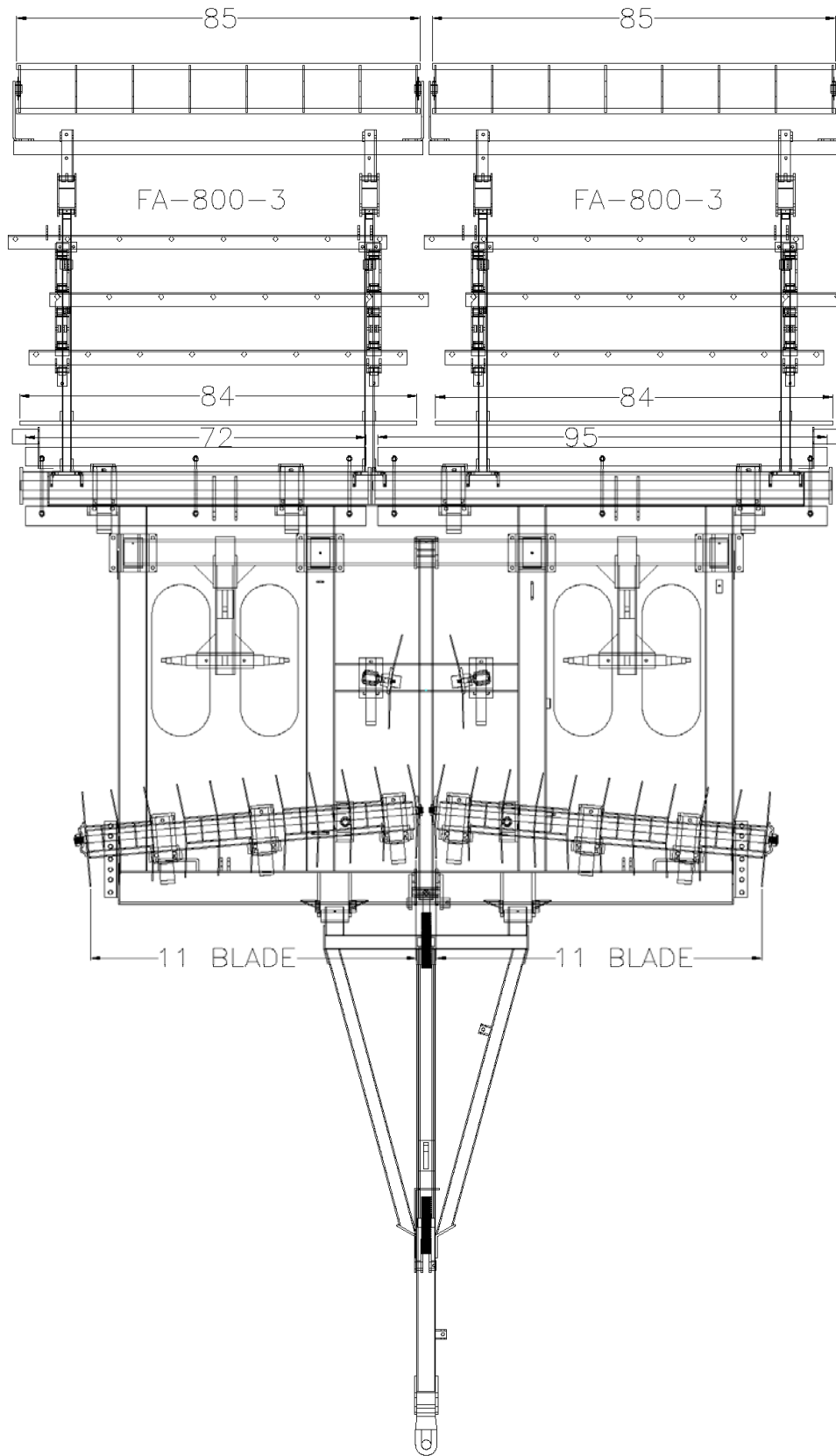


Key	Part No.	Description	Notes/Revisions
1	LB-1320	LIGHT HARNESS, STRAIGHT, 20'	
2	LB-1420	LIGHT HARNESS, WISHBONE, 10' (20')	
3	LB-1102	LIGHT, RIGHT HAND	
4	LB-1101	LIGHT, LEFT HAND	

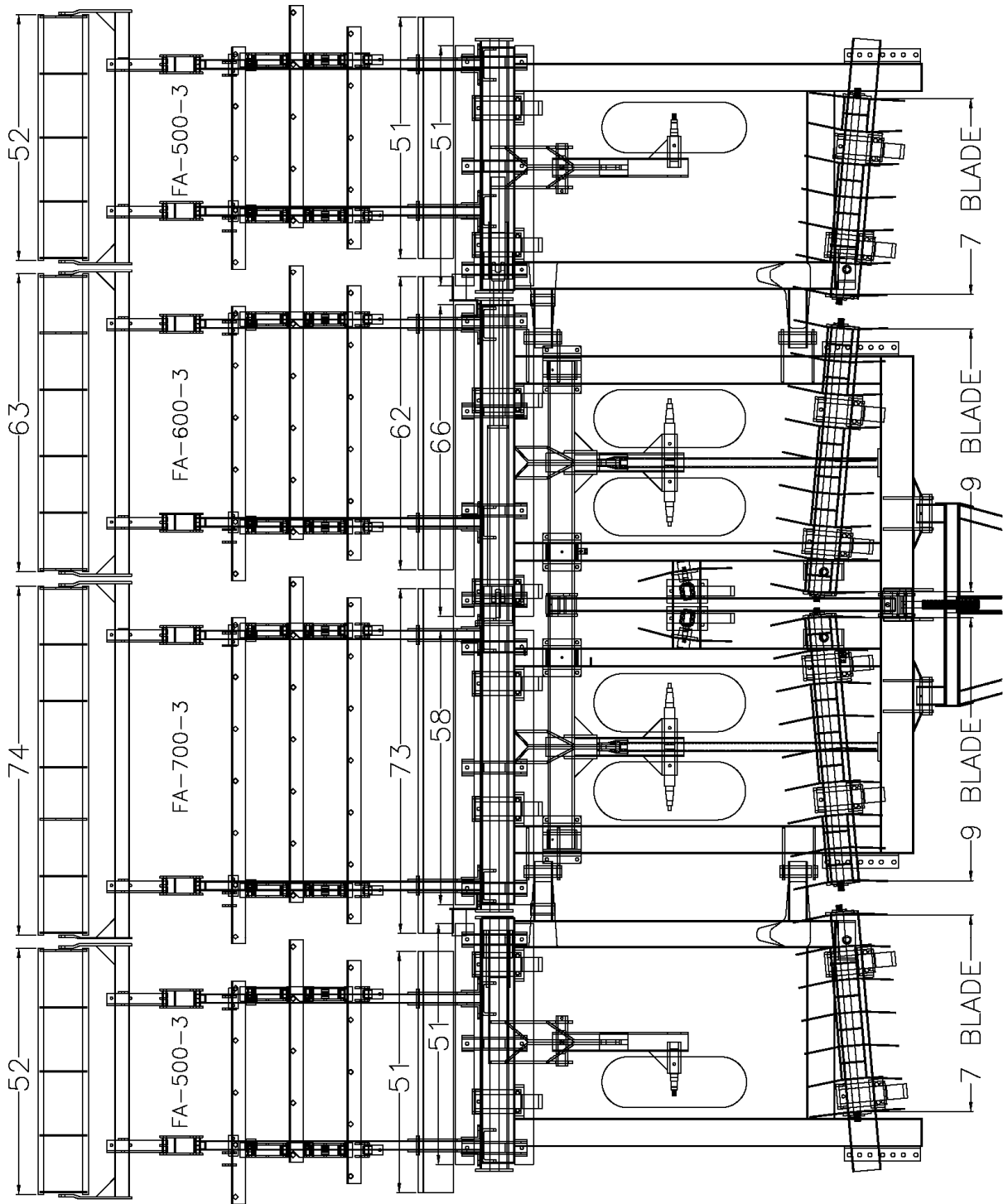
LAYOUT DIAGRAM  
FOR 4012



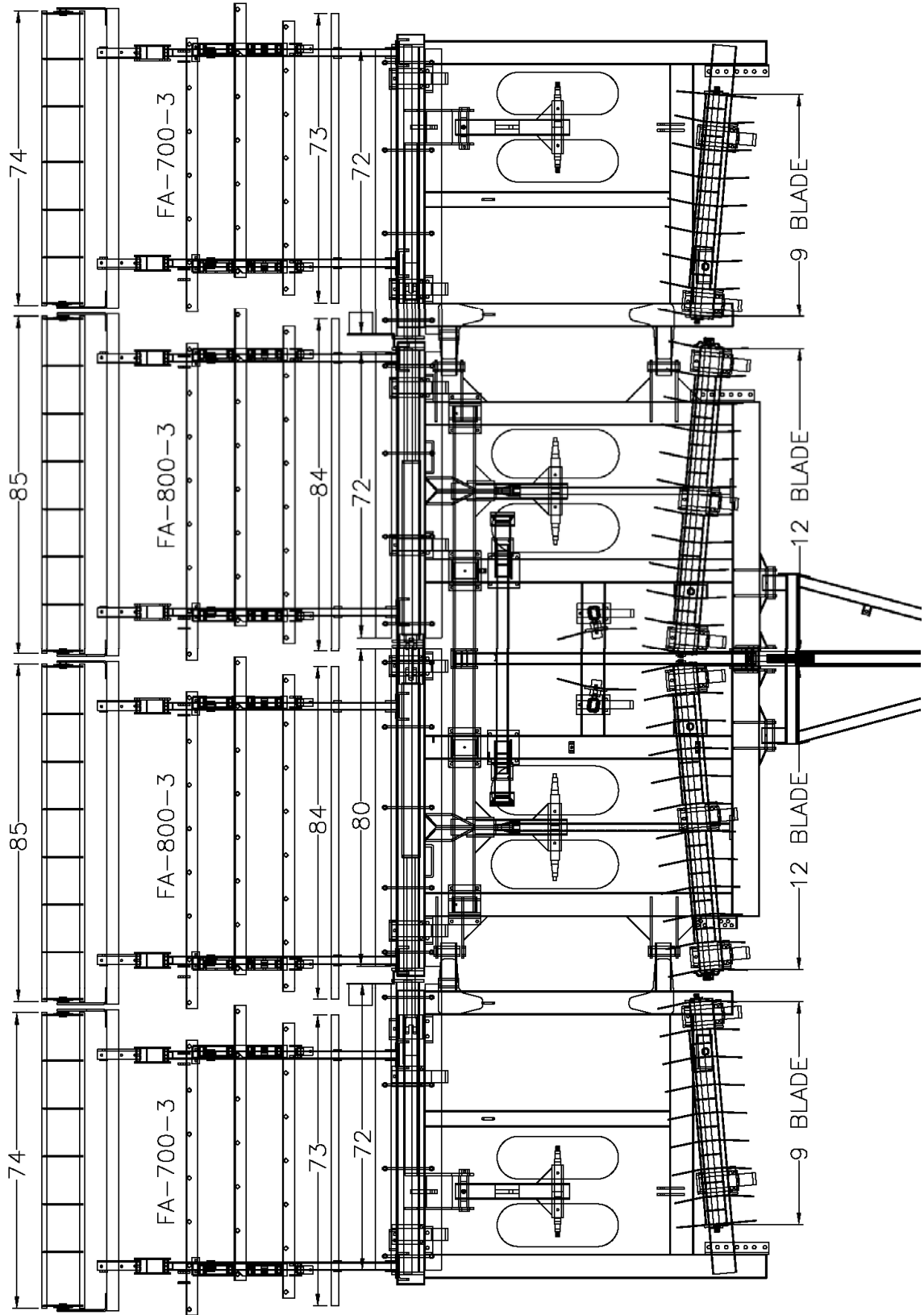
LAYOUT DIAGRAM  
FOR 4014



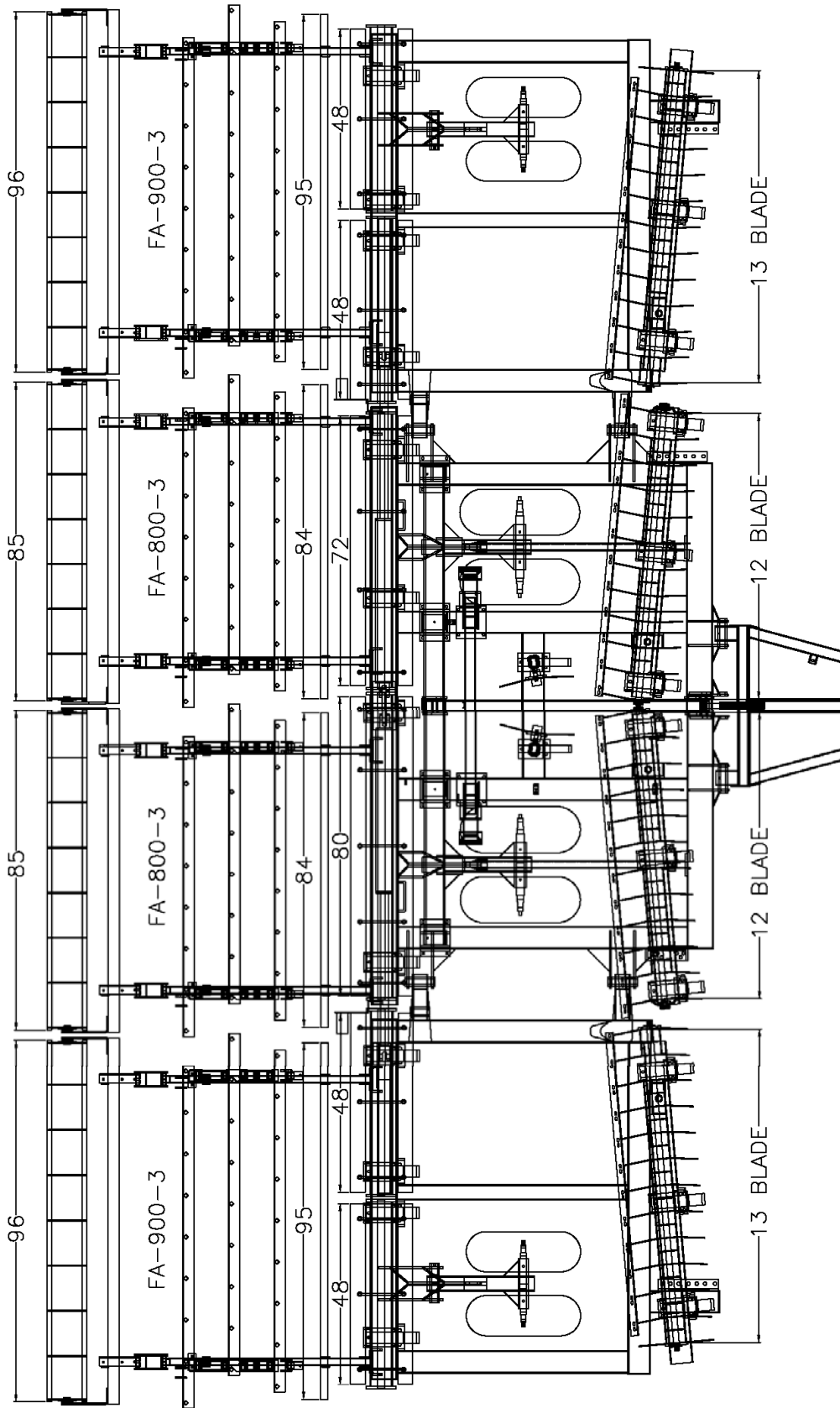
LAYOUT DIAGRAM  
FOR 4020



LAYOUT DIAGRAM  
FOR 4025

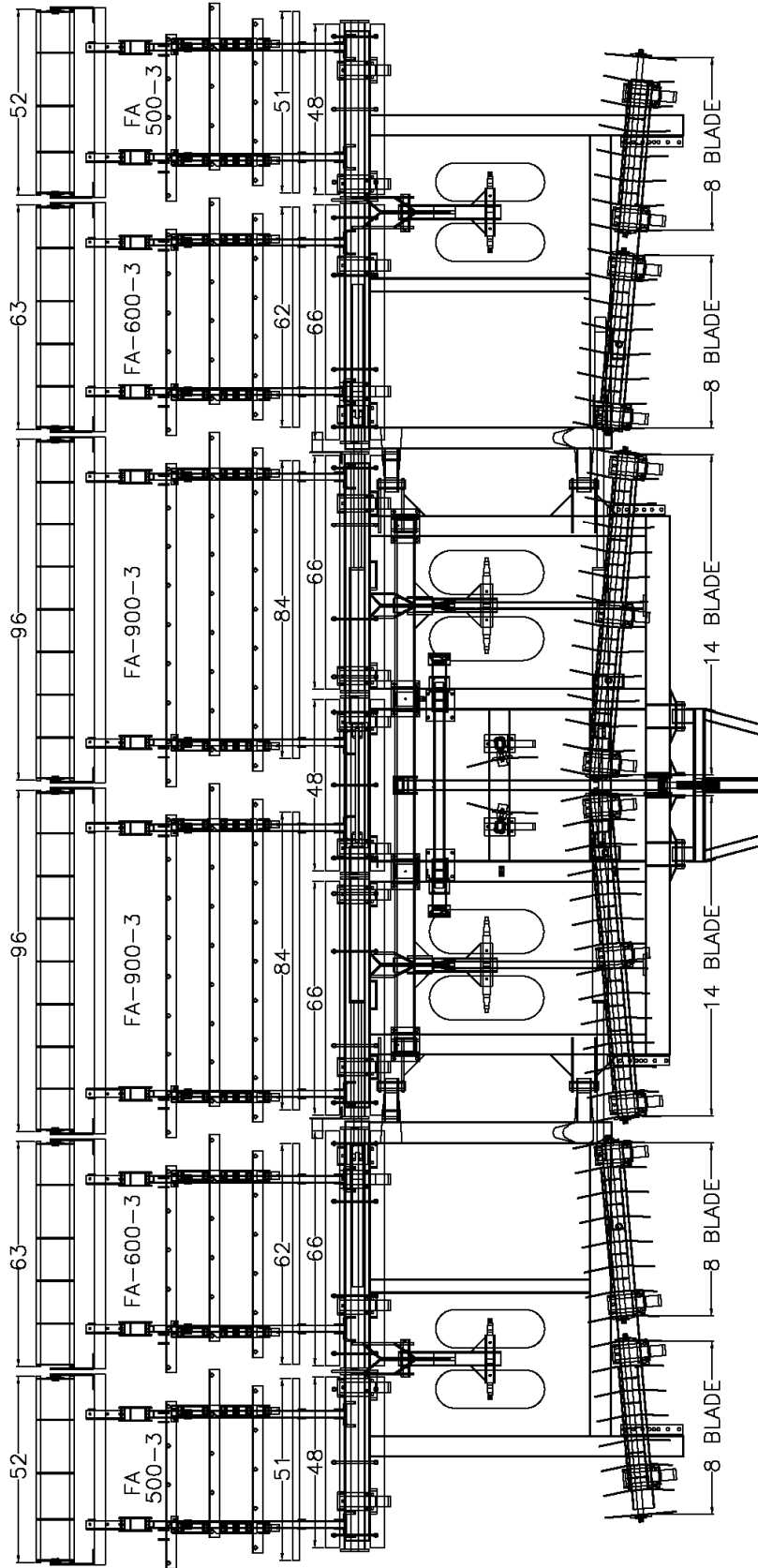


LAYOUT DIAGRAM  
FOR 4030

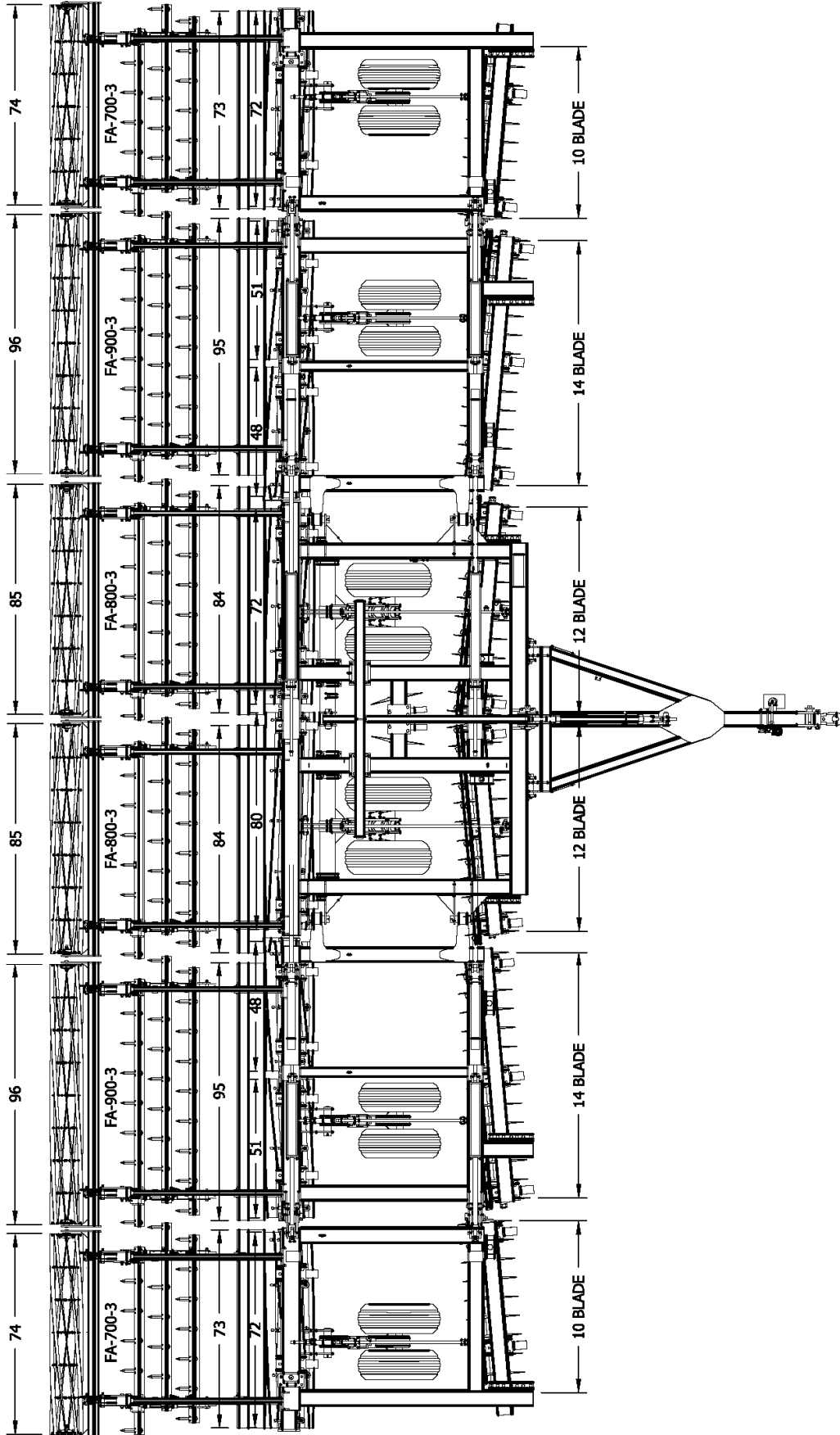




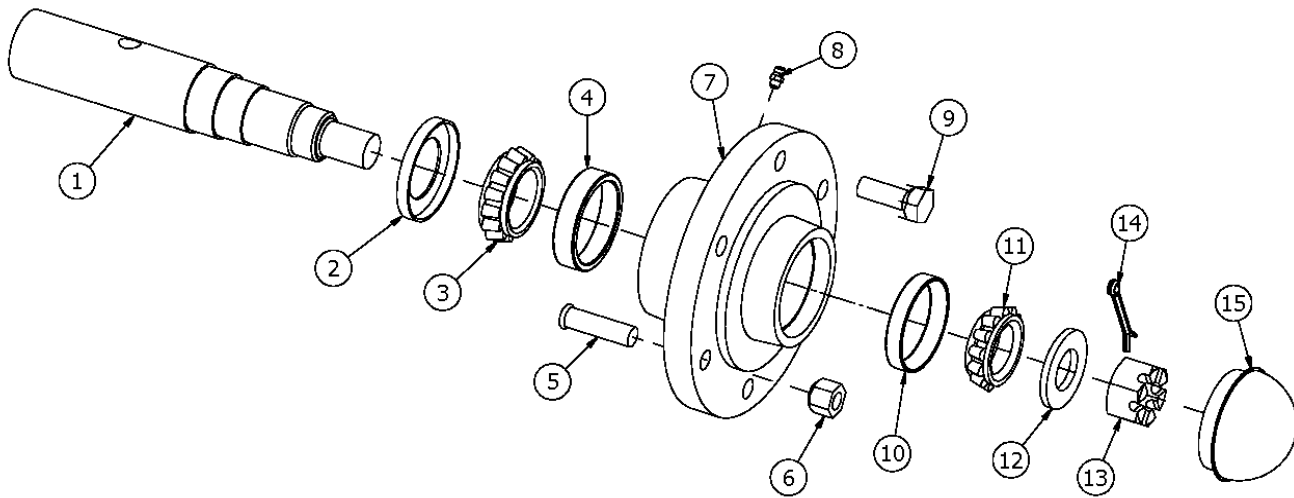
LAYOUT DIAGRAM  
FOR 4035



LAYOUT DIAGRAM  
FOR 4044



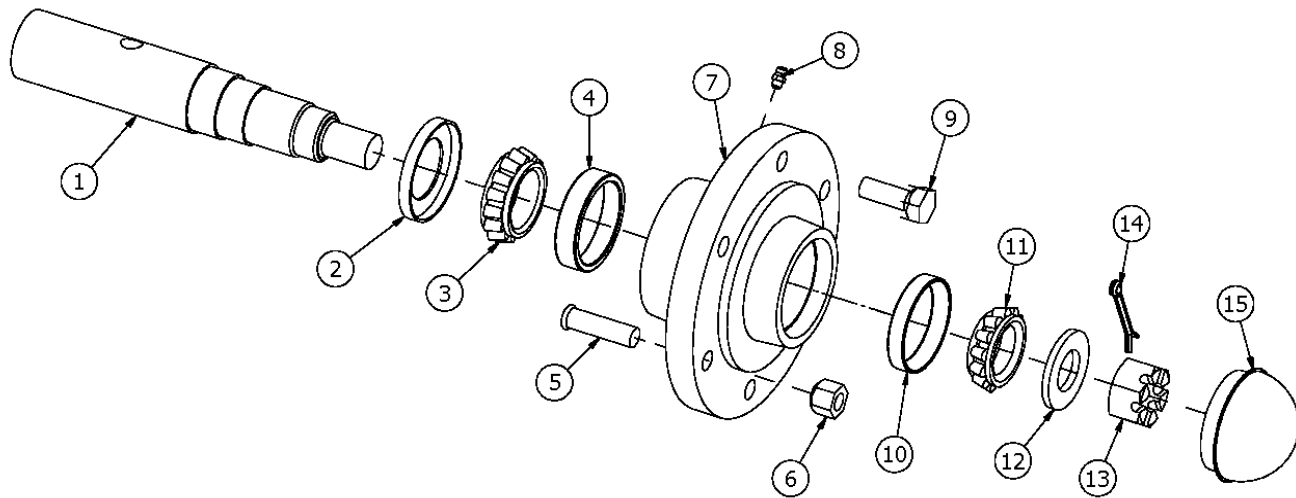
## SPINDLE AND HUB



6-HOLE HUB ASSEMBLY SHOWN

4-BOLT HUB (18.5x8.5x8 RIM)			
Key	Part No.	Description	Notes/Revisions
1	HD-1122	SPINDLE, 1 1/4 X 8 1/4	
2	HD-1179	GREASE SEAL, 4 BOLT HUB	CR12407
3	HD-1178	INNER BEARING	L44643
4	HD-1182	INNER RACE	L44610
5	HD-1191	WHEEL STUD	1/2 - 20 X 1 7/8
6	WN-0050	WHEEL NUTS	1/2 - 20
7	HD-1180	HUB WITH RACES, 4 BOLT HUB	
8	GZ-0601	GREASE ZERK	
9	N/A	WHEEL BOLTS	1/2 - 20 X 1 3/4
10	HD-1182	OUTER RACE	L44610
11	HD-1178	OUTER BEARING	L44643
12	HD-1164	SPINDLE FLAT WASHER	13/16
13	HD-1165	SPINDLE HEX CASTLE NUT	3/4 - 16 UNF
14	CP-5312	COTTER PIN (0.150 X 1 1/4)	
15	HD-1181	DUST CAP	
	HD-1190	4-BOLT HUB ASSEMBLY	Includes items 2,3,7,11,15

## SPINDLE AND HUB (continued)



6-HOLE HUB ASSEMBLY SHOWN

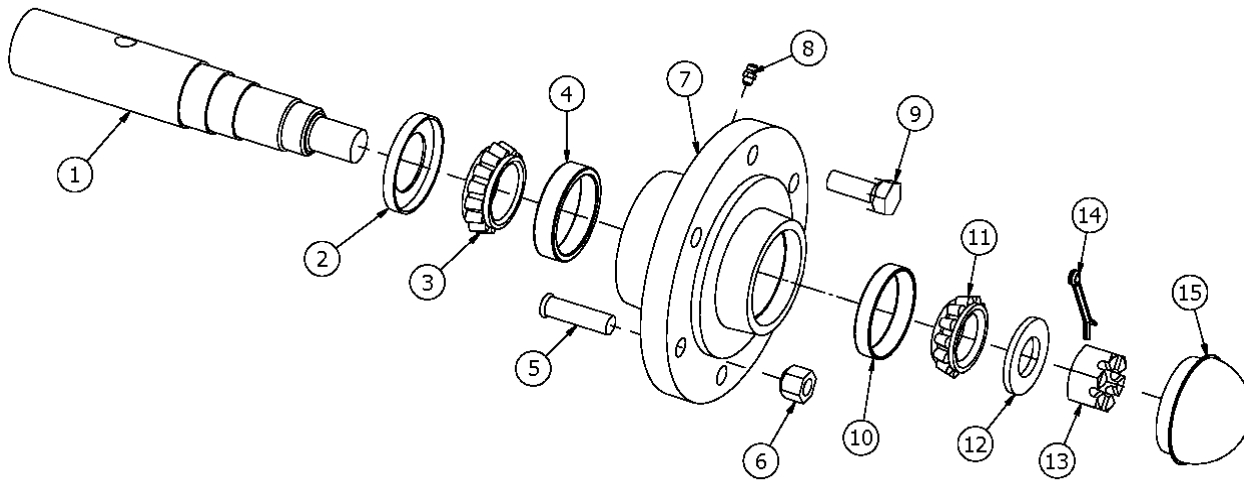
### 6-HOLE HUB, 3560 LB (9.5L/11L – 15x6/15x8 RIM)

Key	Part No.	Description	Notes/Revisions
1	WDL-2505	SPINDLE, 1 3/4 X 9 1/2	
2	HD-1360	GREASE SEAL, 6 HOLE HUB	CR16289
3	HD-1362	INNER BEARING	JL69349
4	HD-1366	INNER RACE	JL69310
5	HD-1191	HUB STUD	1/2 - 20 X 1 3/4
6	WN-0050	STUD NUTS	1/2 - 20
7	HD-1361	HUB WITH RACES, 6 HOLE HUB	
8	GZ-0601	GREASE ZERK	
9	WB-5010	WHEEL BOLTS	1/2 - 20 X 1 3/4
10	HD-1171	OUTER RACE	LM67010
11	HD-1363	OUTER BEARING	LM67048
12	HD-1364	SPINDLE FLAT WASHER	15/16
13	HD-1365	SPINDLE HEX CASTLE NUT	7/8 - 14 UNF
14	CP-1517	COTTER PIN (0.150 X 1 3/4)	
15	HD-1367	DUST CAP	
	HD-1371	6-HOLE HUB ASSEMBLY	Includes items 2,3,7,11,15

### 8-HOLE HUB, 4500 LB (12.5L/31X13.5-15x10 RIM)

Key	Part No.	Description	Notes/Revisions
1	RT-2170	SPINDLE, 2 1/4 X 11 1/2	
2	RT-2172	GREASE SEAL, 8 HOLE HUB	CR22392
3	RT-2173	INNER BEARING	LM603049
4	RT-2169	INNER RACE	LM603011
5	N/A	HUB STUD	5/8 – 18 X 2 1/4
6	N/A	STUD NUTS	5/8 - 18
7	RT-2174	HUB WITH RACES, 8 HOLE HUB	
8	GZ-0601	GREASE ZERK	
9	WB-5610	WHEEL BOLTS	9/16 – 18 X 1 11/16
10	HD-1171	OUTER RACE	LM67010
11	HD-1363	OUTER BEARING	LM67048
12	RT-2176	SPINDLE FLAT WASHER	13/16
13	RT-2177	SPINDLE HEX CASTLE NUT	3/4 - 16 UNF
14	CP-5312	COTTER PIN (0.150 X 1 1/4)	
15	RT-2178	DUST CAP	P502002
	RT-2171	8-HOLE HUB ASSEMBLY	Includes items 2,3,7,11,15

## SPINDLE AND HUB (continued)



6-HOLE HUB ASSEMBLY SHOWN

### 8-BOLT HUB, 6000 LB (12.5L HWY – 15x10 RIM)

Key	Part No.	Description	Notes/Revisions
1	RT-3180	SPINDLE, 2 3/4 X 12 1/2	
2	RT-3182	GREASE SEAL, 8 BOLT HD HUB	CR27394
3	RT-3183	INNER BEARING	JLM506849
4	RT-3191	INNER RACE	JLM506810
5	RT-3193	WHEEL STUD 5/8-18 X 2 1/2	5/8 – 18 X 2 1/2
6	WN-0063	WHEEL NUTS 5/8	5/8 - 18
7	RT-3184	HUB WITH RACES, 6 HOLE HUB	
8	GZ-0601	GREASE ZERK	
9	N/A	WHEEL BOLTS	
10	RT-3192	OUTER RACE	LM501310
11	RT-3186	OUTER BEARING	LM501349
12	RT-3190	SPINDLE FLAT WASHER	1 5/16
13	RT-3187	SPINDLE HEX CASTLE NUT	P201601
14	CP-7320	COTTER PIN (0.207 X 2)	
15	RT-3188	DUST CAP	P502008
	RT-3181	8-BOLT HUB ASSEMBLY, 6000LB	Includes items 2,3,7,11,15

### 8-BOLT HUB, 7500 LB (12.5L-16 HWY - 16.5x9.75 RIM)

Key	Part No.	Description	Notes/Revisions
1	RD-4416	SPINDLE, 3 X 12 1/2	
2	RD-4582	GREASE SEAL, 8 BOLT 7500 LB HUB	CR29968
3	RD-4583	INNER BEARING	387AS
4	RD-4584	INNER RACE	382A
5	RT-3193	WHEEL STUD 5/8-18 X 2 1/2	5/8 – 18 X 2 1/2
6	WN-0063	WHEEL NUTS 5/8	5/8 - 18
7	RD-4581	HUB WITH RACES, 8 BOLT 7500 LB HUB	
8	GZ-0601	GREASE ZERK	
9	N/A	WHEEL BOLTS	
10	RT-3192	OUTER RACE	LM501310
11	RT-3186	OUTER BEARING	LM501349
12	RT-3190	SPINDLE FLAT WASHER	1 5/16
13	RT-3187	SPINDLE HEX CASTLE NUT	P201601
14	CP-7320	COTTER PIN (0.207 X 2)	
15	RT-3188	DUST CAP	P502008
	RD-4580	8-BOLT HUB ASSEMBLY, 7500LB	Includes items 2,3,7,11,15