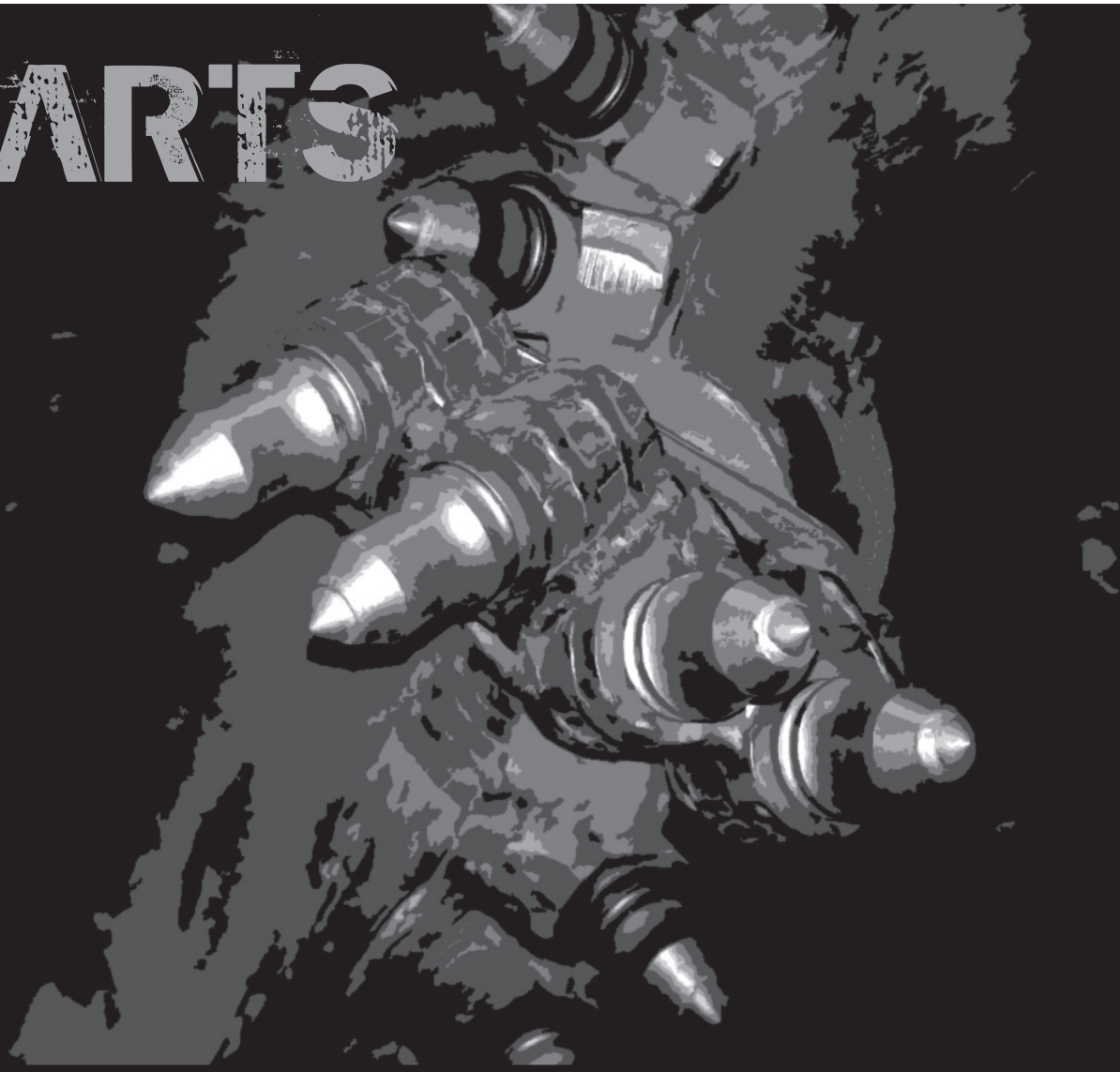


PARTS



LET'S BREAK GROUND TOGETHER



www.pengoattachments.com | 800.599.0211

powerful construction attachments

Parts Catalog

PILOT BITS | UTILITY



TRIFLOW® 600

Dirt Pilot Bit

- Patented Pilot Bit
- Three-fluted design for longer wear
- For use with MD Dirt and Quick Change Augers

Use 141-L Pilot Bit Adapter

LBS 8.5

PN 137357



TRIFLOW® 600

Dirt Pilot Bit with 1 3/4" Stem

- Patented Pilot Bit
- Three-fluted design for longer wear
- For use with MD Dirt and Quick Change Augers

LBS 16

PN 137331



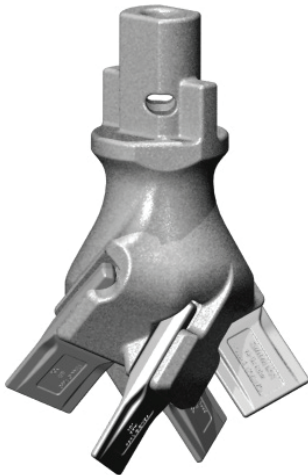
P-6000

Dirt Pilot Bit

- For use with MD Step Rock and Quick Change Augers in Solid, Non-Fracturable Rock

LBS 8

PN 151275



P-1650

Dirt Pilot Bit Assembly

- For use with MD Dirt and Quick Change Augers

Includes:

- 2 - 1851 Fas-N-Lok® Teeth
- 2 - 1652 Dirt Gage Fas-N-Lok® Teeth
- 1 ea. - G5 1/2-14 Hex Bolt and Nut

LBS 20

PN 131726



P-1656

Pilot Bit Assembly

- For use with MD Augers in High Abrasion, Frozen Soil with Low Impact

Includes:

- 2 - 1851 Fas-N-Lok® Teeth
- 2 - 1652 Dirt Gage Fas-N-Lok® Teeth
- 1 ea. - G5 1/2-14 Hex Bolt and Nut

LBS 24

PN 131727



RCP-6.5

Pilot Bit Assembly

- For use with MD Augers in Fracturable Rock

Includes:

- 5 - SR-86 Bullet Teeth
- 1 - PC-387 Bullet Tooth
- 1 - CP-18 Center Point
- 1 ea. - G5 1/2-13 Hex Bolt and Nut

Use Center Point 16 (132524) or 18 (151272)

LBS 18

PN 132116

PILOT BITS | UTILITY



50-TCH-171L Pilot

Tungsten Carbide Head
Pilot Bit Assembly
- For use with MD Step Rock Augers
- Solid, Non-fracturable rock

Includes:

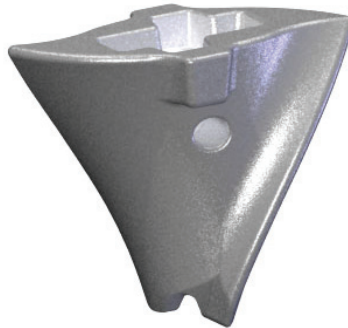
1 ea. - G5 1/2-16 Hex Bolt and Nut

LBS 6.5

PN 199220

Additional TCH Pilots:

45-TCH-171L 4.5 lbs. PN 199205
5.5-TCH-171L 6.1 lbs. PN 199223
6.5-TCH-171L (bit only)
8.3 lbs. PN 151520
8.5-TCH-171L (bit only)
9.9 lbs. PN 151550
9.5-TCH-171L 11 lbs. PN 133270



FH-205

Screw Bit Pilot Assembly
- For use with MD Dirt and Quick
Change Augers
- Abrasive, Frozen Soil with
Low Impact

Includes:

1 ea. - G5 3/8-16 Hex Bolt and Nut

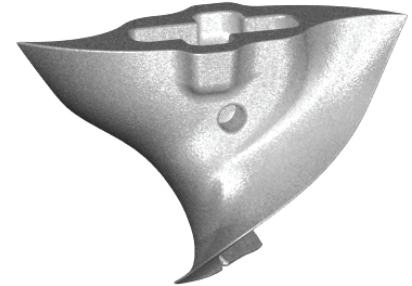
Use PA-183-L Pilot Bit Adapter

LBS 2.68

PN 157382

Additional FH-205 Pilots:

FH-205C 2.1 lbs. PN 132260
FH-205CXC 2.1 lbs. PN 132825
FH-205HF 2.1 lbs. PN 137275
FH-205HFTC 3.7 lbs. PN 133264
FH-205HFF 3 lbs. PN 132201



SB-50

Screw Bit Pilot Assembly
- For use with MD Dirt Augers
- Abrasive, Frozen Soil with
Low Impact

Includes:

1 ea. - G5 1/2-16 Hex Bolt and Nut

Use PA-183-L Pilot Bit Adapter

LBS 3.4

PN 131728

Additional Screw Bit Pilots:

SB-50C 3.4 lbs. PN 131751
SB-50HF 3.6 lbs. PN 132937
SB-50HFTC 3.1 lbs. PN 132624
SB-60 4.4 lbs. PN 132029
SB-60C 4.6 lbs. PN 132803
SB-60CXC 4.6 lbs. PN 133252
SB-60HF 4.6 lbs. PN 133251
SB-60HFTC 5.5 lbs. PN 133254
SB-70 4.5 lbs. PN 132185
SB-70C 4.8 lbs. PN 132368
SB-70CXC 4.9 lbs. PN 133255
SB-70HF 4.5 lbs. PN 132960
SB-70HFTC 4.6 lbs. PN 133256
SB-80 5.5 lbs. PN 132198
SB-80C 5.4 lbs. PN 132638
SB-80CXC 5.4 lbs. PN 133258
SB-80HF 5.4 lbs. PN 133257
SB-80HFTC 5.4 lbs. PN 133259
SB-90 5.8 lbs. PN 132552
SB-90C 5.8 lbs. PN 133260
SB-90CXC 5.8 lbs. PN 133261
SB-90HF 5.5 lbs. PN 132898
SB-90HFTC 5.8 lbs. PN 133271
SB-100 6.3 lbs. PN 132363
SB-100C 6.2 lbs. PN 132903
SB-100HFTC (bit only)
6.3 lbs. PN 151302

SIZE GUIDE:

50 = 5", 60 = 6", 70 = 7", 80 = 8", 90 = 9",
and 10 = 10"

RRP-MD ROCK RIPPER®

Rock Pilot Bit Assembly
- Patented Rock Pilot for Rock
Ripper Augers
- Features NEW Strata SR76 Teeth
- Use in Hard Rock Applications

Includes:

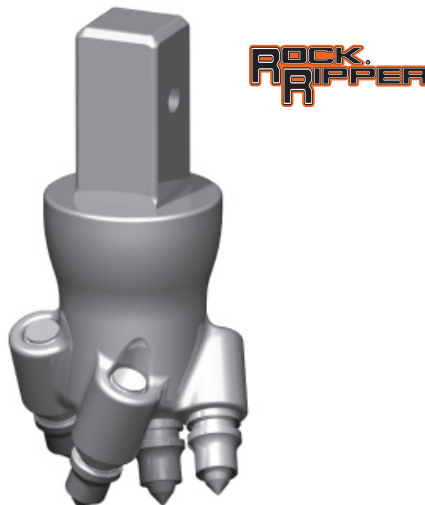
4 - SR-76 Bullet Teeth
1 ea. - G5 1/2-13 Hex Bolt and Nut

LBS 16

PN 134675

Additional Rock Ripper Pilots:

RR-1.75 SQ 15 lbs. PN 137208
RR-API/C20 17 lbs. PN 157406



PILOT BITS | CONSTRUCTION



TRIFLOW

TRIFLOW® 350

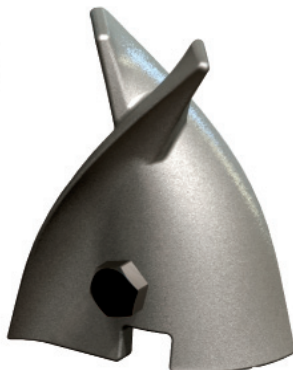
Dirt Pilot Bit

- Patented Pilot Bit
- Three-fluted design for longer wear
- For use with Pengo AGGRESSOR, TriMax and Ag Max Augers

Does not include Hex Bolt/Nut

LBS 5

PN 135088



SB-25

Screw Bit Pilot Bit Assembly

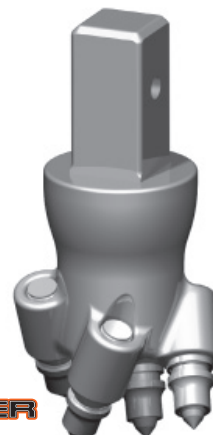
- Use with CS Augers
- Abrasive, Frozen Soil with Low Impact
- Use PA-183-L Pilot Bit Adapter

Includes:

1 ea. G5 5/16 Hex Bolt and Nut

LBS .6

PN 131740



ROCK RIPPER

RRP-1.75 SQ

Rock Ripper® Pilot Bit Assembly

- Patented Rock Pilot for Rock Ripper Augers
- Features NEW Strata SR76 Teeth
- Use in Hard Rock Applications

Includes:

4 - SR-76 Bullet Teeth

1 ea. - G5 1/2-13 Hex Bolt and Nut

LBS 15

PN 137208



*SHOWN:
CS Auger
with SB-25 Pilot
and
35 Series
Fas-N-Lok®
Teeth*

SIZE GUIDE:

25 = 2 1/2", 30 = 3",
35 = 3 1/2",
and 45 = 4 1/2"



SB-35 175

Screw Bit Pilot

- Use with AG AGGRESSOR
- Abrasive, Frozen Soil with Low Impact

LBS 3.9

PN 151318

Screw Bit Pilots

SB-25C	.6 lbs.	PN 132135
SB-25CXC	.9 lbs.	PN 132758
SB-25HF	1.5 lbs.	PN 132266
SB-25HFTC	1.4 lbs.	PN 132590
SB-30	1.4 lbs.	PN 131766
SB-30C	1.5 lbs.	PN 131764
SB-30CXC	1.5 lbs.	PN 131765
SB-30HF	1.6 lbs.	PN 132359
SB-30HFTC	1.6 lbs.	PN 133250
SB-35	1.2 lbs.	PN 133402
SB-35C	1.2 lbs.	PN 133403
SB-35CXC	1.2 lbs.	PN 133404
SB-35HF	2.1 lbs.	PN 133405
SB-35HFTC	2.8 lbs.	PN 133406
SB35SQ	2.8 lbs.	PN 136809
SB35SQ HF	4 lbs.	PN 136816
SB-45	3.0 lbs.	PN 133407
SB-45C	3.1 lbs.	PN 133408
SB-45CXC	3.3 lbs.	PN 133409
SB-45HF	3.2 lbs.	PN 133410
SB-45HFTC	3.2 lbs.	PN 133411

HF = Hard-faced

Hardfaced dirt teeth and pilot are for use in abrasive soil.

C = Carbide Tipped

Carbide tipped dirt pilots are for use in highly abrasive soil and frozen ground.

CXC = Carbide

Carbide dirt teeth and pilot are for use in highly abrasive soil and frozen ground.

HFTC = Hard-faced Carbide

Hardfaced Tungsten Carbide dirt teeth and pilot are for use inabrasive and high impact soil.

PILOT BITS | FOUNDATION



TRIFLOW® 1000
Dirt Pilot Bit Assembly
- Patented Pilot Bit
- Three-fluted design for longer wear
- 2 1/2" Square Stem

Includes:
1 ea. - G5 3/4-10 Hex Bolt and Nut

LBS 43
PN 137348



B47-10
Rock Pilot Bit Assembly
- 4" Square Stem
- Features the New STRATA SR122 Conical Teeth

Includes:
4 - SR-122 Bullet Teeth
1 - G8 1-8 Hex Bolt
1 - G5 1-8 Hex Nut

LBS 72
PN 135965

Additional B47 Pilots:
B47-HF 78 lbs. PN 135919



C31HD-8.5
Rock Pilot Bit Assembly
- 2 1/2" Square Stem

Includes:
4 - STRATA SR100 Conical Teeth
1 ea. - G5 3/4-10 Hex Bolt and Nut
For use with 1" Single Row, Double Row, Combo Drilling Bucket and Pressure Augers in Rock

LBS 30
PN 135913

Additional C31HD Pilots:
C31HD 8.5 HF 33 lbs. PN 135939
C31HD 8.5 HFCH 35 lbs. PN 135912



SD-60-175
Pilot Bit Assembly
- 2-Fluted Pilot

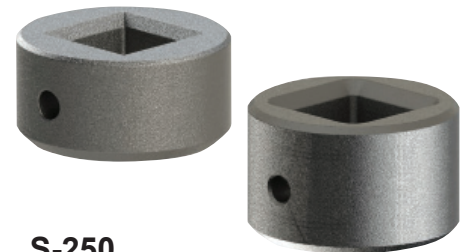
LBS 15
PN 135983



C4-1HF
Rock Pilot Bit Assembly
- 2 1/2" Square Stem

Includes:
4 - STRATA SR104 Conical Teeth
1 ea. - G5 3/4-10 Hex Bolt and Nut

LBS 30
PN 135913



S-250
2 1/2" Square Pilot Bit Adapter
- Use with TF-1000 Pilot
- 2.5" X 6" OD

LBS 18
PN 151598

S-400 43 lbs. PN 135904
4" Square Pilot Bit Adapter
- Use with B47-10 Pilot
- 4" X 8" OD

HF = Hard-faced
Hardfaced dirt teeth and pilot are for use in abrasive soil.

C = Carbide Tipped
Carbide tipped dirt pilots are for use in highly abrasive soil and frozen ground.

CXC = Carbide
Carbide dirt teeth and pilot are for use in highly abrasive soil and frozen ground.

HFTC = Hard-faced Carbide
Hardfaced Tungsten Carbide dirt teeth and pilot are for use in abrasive and high impact soil.

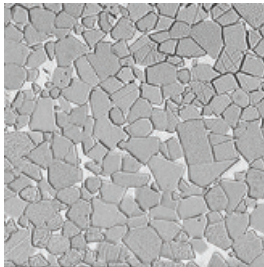
STRATA DRILLING GRADE CARBIDE

The STRATA Proprietary Drilling Grade Teeth are Made Especially for the Drilling Industry!

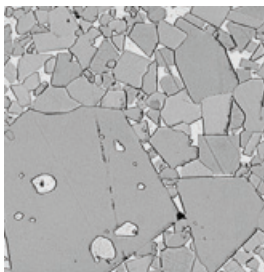
The Improved Grade of Carbide in All Strata Teeth Increases The Life Cycle of The Tooth

Less Down Time Means Increased Production and Productivity!

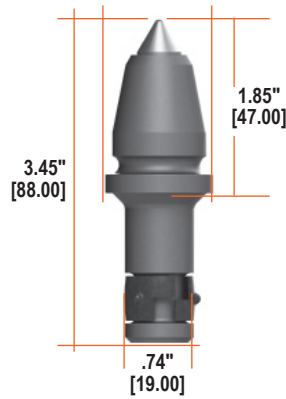
All STRATA conical tools are manufactured in the USA!



Strata Series Carbide Grain Structure



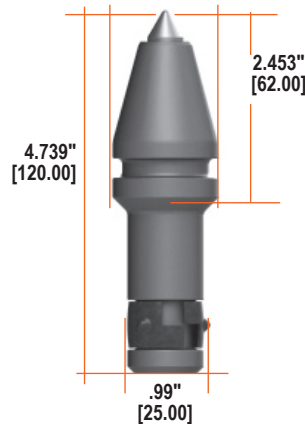
Conventional Carbide Grain Structure



SR-74
Conical Tooth
- .74" Shank Diameter
- New Carbide Angle for Increased Penetration
- Improved Carbide Grade
PN 850027

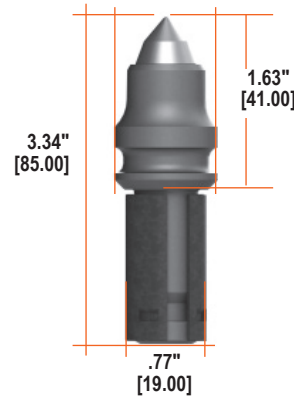
POCKET	LBS	BUCKET QTY.
P20	.65	65

1.375" [35.00]



SR-100
Conical Tooth
- 1" Shank Diameter
- Carbide Angle for Increased Penetration
- New Carbide Grade
PN 850023

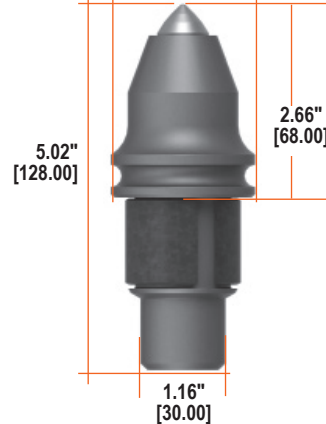
POCKET	LBS	BUCKET QTY.
P30 & P30F	1.1	35



SRL08
Conical Tooth
- .76" Shank Diameter
- New Carbide Angle for Increased Penetration
- Improved Carbide Grade
PN 850032

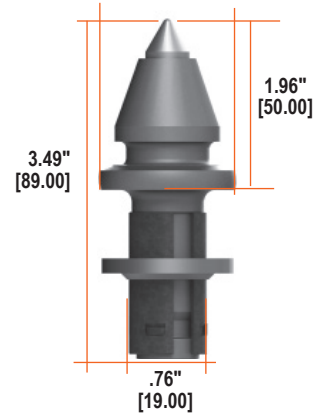
POCKET	LBS	BUCKET QTY.
P10	.65	60

1.97" [50.00]



SR-122
Conical Tooth
- Step Shank
- New Carbide Grade
PN 850034

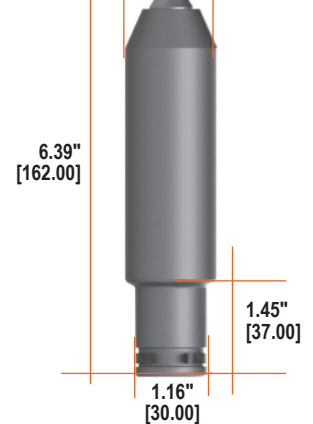
POCKET	LBS	BUCKET QTY.
D38	2.6	12



SR-76SW
Conical Tooth
- .76" Shank Diameter
- Sleeve Washer
- New Carbide Angle
- Use with PENGO's Rock Ripper Augers
PN 850035

POCKET	LBS	BUCKET QTY.
P10	.56	50

1.49" [38.00]



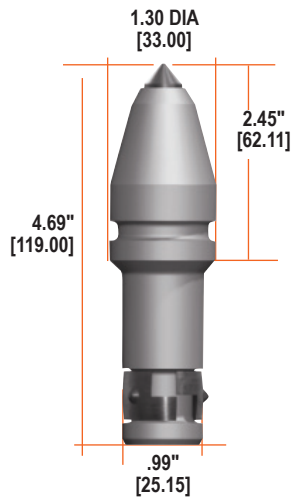
SR-104
Conical Tooth
- Step Shank
- New Hair Pin Clip
- New Carbide Grade
PN 850024

POCKET	LBS	BUCKET QTY.
P4	2.6	15

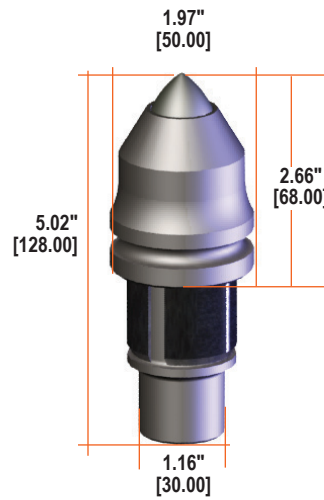
The three conical teeth to the right and on the following pages are the Standard Pengo Teeth. Note these are different than the STRATA teeth as they do not contain the drilling grade carbide tips.

The standard teeth are used in solid fracturable rock but may not provide the same wear as the Strata Teeth.

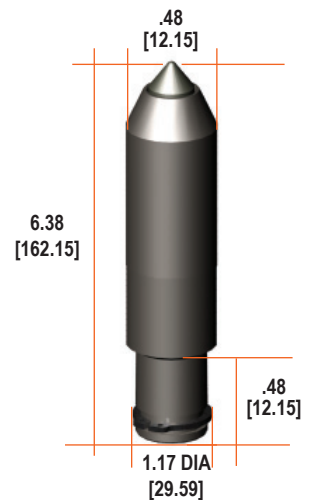
PENGO Foundation augers are shipped with STRATA conical teeth.



S31-HD
Conical Tooth
- 1" Shank Diameter
PN 850037



S22
Conical Tooth
- Step Shank
PN 850038



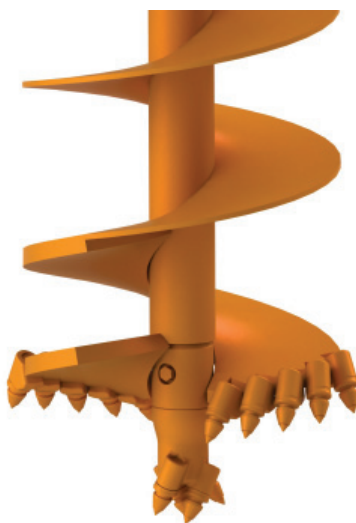
S4-1
Conical Tooth
- Step Shank
PN 850039

POCKET	LBS	BUCKET QTY.
P30 & P30F	1.1	35

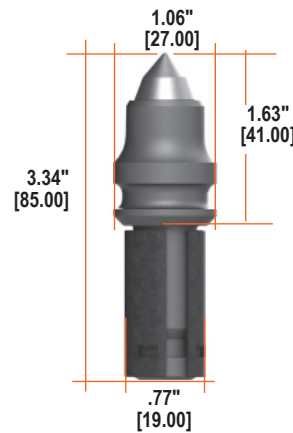
POCKET	LBS	BUCKET QTY.
D38	2.6	12

POCKET	LBS	BUCKET QTY.
P4	2.6	15

PENGO'S All New MD Rock Ripper Auger Features the STRATA SR-76SW tooth. For optimum performance select this tooth when reordering. Note the SRL08 will also work with Pengo Rocker Ripper Augers.

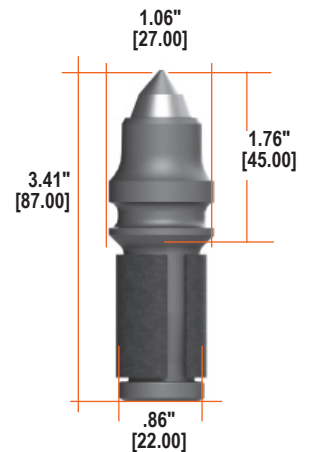


ROCK RIPPER



SRL08
Conical Tooth
- .76" Shank Diameter
- New Carbide Angle for Increased Penetration
- Improved Carbide Grade
- Use in PENGO's Rock Ripper Augers

POCKET	LBS	BUCKET QTY.
P10	.65	60

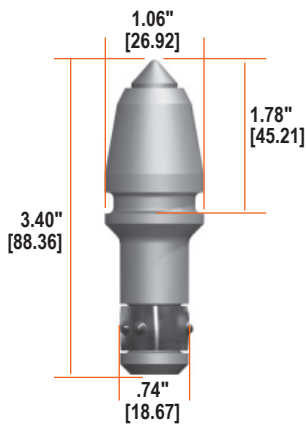


SL-02
Conical Tooth
- .86" Shank Diameter
- New Carbide Angle for Increased Penetration
- Improved Carbide Grade

PN 850031

POCKET	LBS	BUCKET QTY.
P-87	.56	60

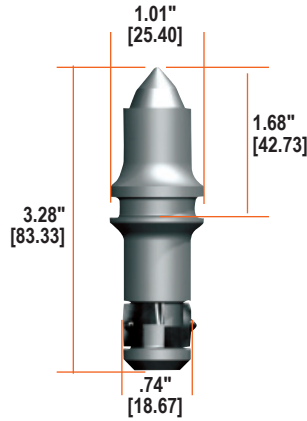
CONICAL TEETH



S21
 Conical Tooth
 - .74" Shank
 - Internal Retainer
 - Design Evenly Distributes Impact Loads Through Tool Shoulder
 - Ideal for Use in Hard, High Impact Conditions

PN 850025

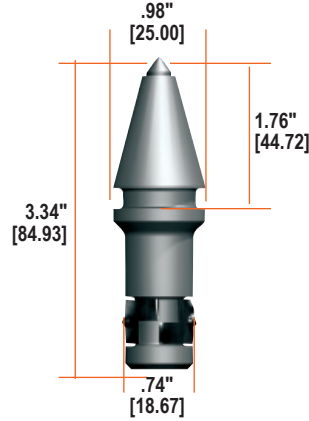
POCKET	LBS	BUCKET QTY.
P20	.3	65



S23
 Conical Tooth
 - .74" Shank
 - Internal Retainer
 - Design Evenly Distributes Impact Loads Through Tool Shoulder
 - Ideal for Use in Hard, High Impact Conditions

PN 850033

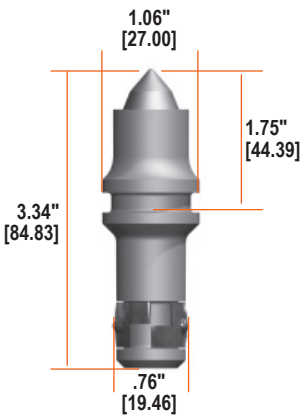
POCKET	LBS	BUCKET QTY.
P20	.3	65



S24
 Conical Tooth
 - .74" Shank
 - Internal Retainer
 - Design Evenly Distributes Impact Loads Through Tool Shoulder
 - Ideal for Use in Hard, High Impact Conditions

PN 850029

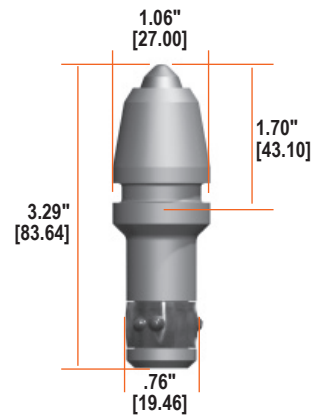
POCKET	LBS	BUCKET QTY.
P20	.4	75



SRL-09
 Conical Tooth
 - .76" Shank
 - Internal Retainer
 - Design Evenly Distributes Impact Loads Through Tool Shoulder
 - Hard, High Impact

PN 850017

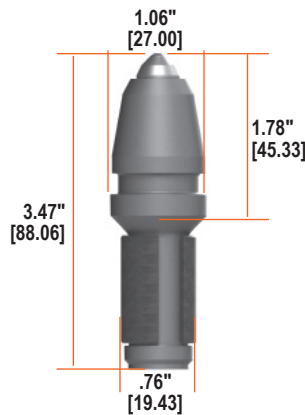
POCKET	LBS	BUCKET QTY.
P10	.5	65



SRL-10
 Conical Tooth
 - .76" Shank
 - Internal Retainer
 - Design Evenly Distributes Impact Loads Through Tool Shoulder
 - Hard, High Impact

PN 850022

POCKET	LBS	BUCKET QTY.
P10	.5	65

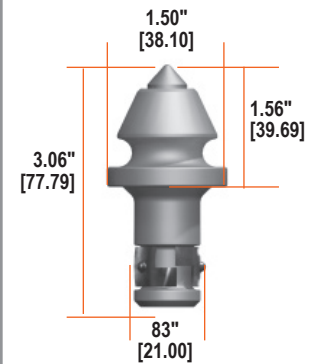


SRL-07
 Conical Tooth
 - .76" Shank
 - Internal Retainer
 - Hard, High Impact

PN 850009

POCKET	LBS	BUCKET QTY.
P10	.5	35

BoRH Teeth



P21RR
 Conical Tooth
 - .83" Shank Diameter
 - STRATA tooth
 - Replacement Tooth in PENGOS BoRH - Bolt On Rock Head
 - Internal Retainer
 - Hard Rock, Concrete

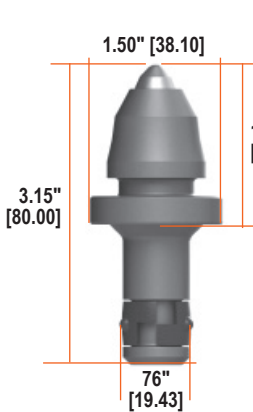
PN 850019

LBS	BUCKET QTY.
.59	50



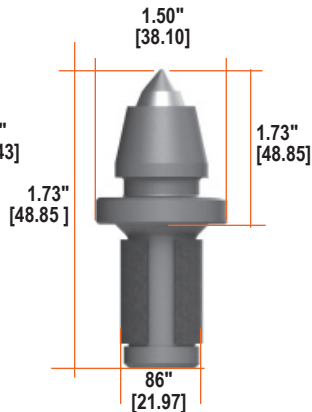
The Pengo S21RR Tooth was designed exclusively for the Pengo BoRH® (Bolt-on Rock Head) which converts the Pengo Aggressor® auger into a rock auger in minutes. The stout S21-RR design works well in hard rock and concrete conditions and the enlarged tooth shoulder helps to protect the BoRH™ from wear.

CONICAL TEETH



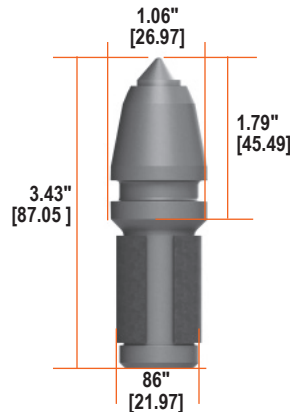
SRS16
 Conical Tooth
 - .76" Shank Diameter
 - Internal Retainer
 - Hard, High Impact
PN 850020

POCKET	LBS	BUCKET QTY.
0	.5	50



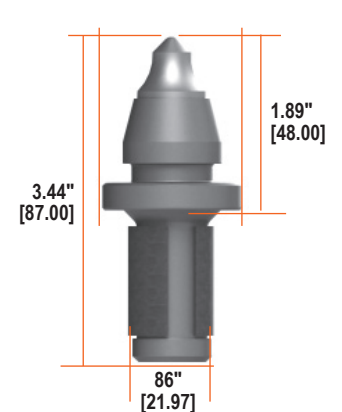
S-387BF
 Conical Tooth
 - .86" Shank Diameter
 - Internal Retainer
 - Design Evenly Distributes Impact Loads Through Tool Shoulder
 - Hard, High Impact
PN 850030

POCKET	LBS	BUCKET QTY.
S87HDS	.3	65



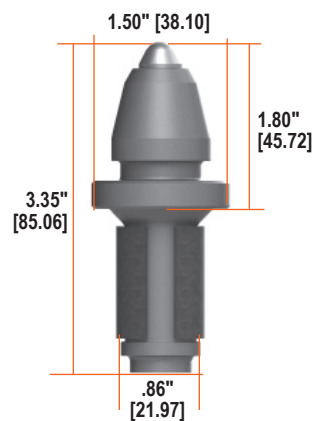
SL-04
 Conical Tooth
 - .86" Shank Diameter
 - Internal Retainer
 - Design Evenly Distributes Impact Loads Through Tool Shoulder
 - Hard, High Impact
PN 850016

POCKET	LBS	BUCKET QTY.
S87HDS	.5	65



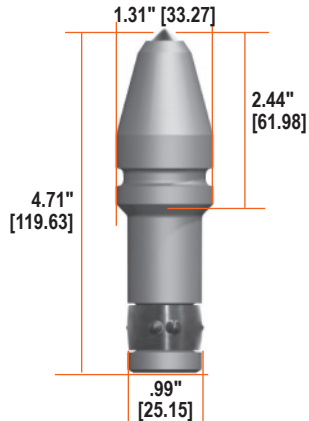
SM04
 Conical Tooth
 - .86" Shank Diameter
 - Internal Retainer
 - Hard, High Impact
PN 850014

LBS	BUCKET QTY.
.8	45



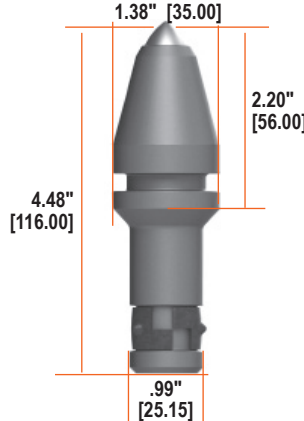
SM06
 Conical Tooth
 - .86" Shank Diameter
 - Standard Body Design
 - Design Evenly Distributes Impact Loads Through Tool Shoulder
 - Hard, High Impact
PN 850018

LBS	BUCKET QTY.
.8	50



S31
 Conical Tooth
 - 1" Shank Diameter
 - Smaller Tip for Increased Penetration
 - Improved Carbide Grade
 - Internal Retainer
 - Hard Rock, Concrete
PN 850026

LBS	BUCKET QTY.
1.3	35



SU40-HD
 Conical Tooth
 - 1" Shank Diameter
 - Internal Retainer
 - Hard, High Impact
PN 850021

LBS	BUCKET QTY.
2.2	35

Conical Teeth

SRZ16
 Bucket Qty. 65
PN 850001

SRP18
 Bucket Qty. 45
PN 850000

SRP19
 Bucket Qty. 50
PN 850004

S3KBF
 Bucket Qty. 50
PN 850003

S3KBF-LN
 Bucket Qty. 50
PN 850002

S20HP
 Puller Bit
 - Easily Remove the Pengo's Conical Teeth
PN 850005

DIRT TEETH | UTILITY



1650
Dirt Tooth
- FAS-N-LOK®
- Replacement Teeth for Pengo MD Boring Heads & Quick Change Augers
- Typical Dirt Applications
PN 140200



1652
Dirt Gage Tooth
- FAS-N-LOK®
- Replacement Teeth for Pengo MD Boring Heads & Quick Change Augers
- Typical Dirt Applications
PN 140020



1652HF
Dirt Gage Tooth
- FAS-N-LOK®
- Replacement Teeth for Pengo MD Boring Heads & Quick Change Augers
- Typical Dirt Applications
PN 140086



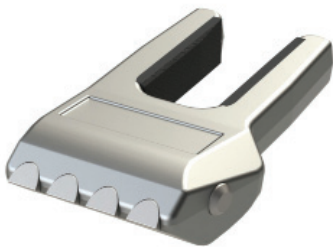
1656
Carbide Dirt Tooth
- FAS-N-LOK®
- Replacement Teeth for Pengo MD Boring Heads & Quick Change Augers
- High Abrasion, Frozen Soil, Low Impact
PN 140005

POCKET	LBS	BUCKET QTY.
1XS, BT-100, WT-50	.5	50

POCKET	LBS	BUCKET QTY.
1XS, BT-100, WT-50	1.1	50

POCKET	LBS	BUCKET QTY.
1XS, BT-100, WT-50	1	50

POCKET	LBS	BUCKET QTY.
1XS, BT-100, WT-50	.59	25



1658
Carbide Dirt Gage Tooth
- FAS-N-LOK®
- Replacement Teeth for Pengo MD Boring Heads & Quick Change Augers
- High Abrasion, Frozen Soil, Low Impact
PN 140006



1851
Dirt Tooth
- FAS-N-LOK®
- Replacement Teeth for Pengo MD Boring Heads & Quick Change Augers
- Typical Dirt Applications
PN 140017



RB56
Ridge Breaker Tooth
- FAS-N-LOK®
- Replacement Teeth for Pengo MD Boring Heads & Quick Change Augers
- Typical Dirt Applications
PN 140022



RB58
Carbide Dirt Tooth
- FAS-N-LOK®
- Replacement Teeth for Pengo MD Boring Heads & Quick Change Augers
- Typical Dirt Applications
PN 140015

POCKET	LBS	BUCKET QTY.
1XS, BT-100, WT-50	1	25

POCKET	LBS	BUCKET QTY.
1XS, BT-100, WT-50	.5	50

POCKET	LBS	BUCKET QTY.
1XS, BT-100, WT-50	.5	25

POCKET	LBS	BUCKET QTY.
1XS, BT-100, WT-50	.59	25

DIRT TEETH | CONSTRUCTION



40/50
Dual Angle Dirt Tooth
- Replacement Teeth for Pengo AGGRESSOR Augers
- Typical Dirt Applications
PN 134501

POCKET	LBS	BUCKET QTY.
NA	.5	100



40/50C
Dual Angle Carbide Dirt Tooth
- Replacement Teeth for Pengo AGGRESSOR Augers
- Abrasive and Frozen Soil, No Impact
PN 134519

POCKET	LBS	BUCKET QTY.
NA	.5	25



40/50HFF
Dual Angle Hardface Dirt Tooth
- Replacement Teeth for Pengo AGGRESSOR Augers
- Abrasive and Frozen Soil, Impact
PN 134802

POCKET	LBS	BUCKET QTY.
NA	.5	25



35
Dirt Tooth
- FAS-N-LOK®
- Replacement Teeth for CS and AG AGGRESSOR Augers
- Typical Dirt Applications
PN 133835

POCKET	LBS	BUCKET QTY.
T-35; T-36	.4	100



35C
Carbide Dirt Tooth
- FAS-N-LOK®
- Replacement Teeth for CS and AG AGGRESSOR Augers
- Compacted Rock, Abrasive, No Impact
PN 140007

POCKET	LBS	BUCKET QTY.
T-35; T-36	.4	50



35HF
Hardface Dirt Tooth
- FAS-N-LOK®
- Replacement Teeth for AG AGGRESSOR and CS Augers
- Abrasive, Impact
PN 140008

35HFF PN 140009

POCKET	LBS	BUCKET QTY.
T-35; T-36	.6	50

In 2008 Pengo developed the FAS-N-LOK Series of dirt teeth. Fas-N-Lok teeth incorporates vulcanized rubber on the inside surface of the tooth, saving you time and money!



TYPE Dirt Tooth
DRILLING dirt, ordinary digging

TYPE Carbide Tooth
DRILLING highly abrasive soil, frozen ground

TYPE Gage Tooth
DRILLING dirt, ordinary digging

TYPE Carbide Gage
DRILLING highly abrasive soil, frozen ground

TYPE Carbide Rock
DRILLING rock, compacted soil

TYPE Hard Faced - one side
DRILLING abrasive soil, impact

TYPE Hard Faced - two sides (HFF)
DRILLING abrasive soil, impact

TYPE Ridge Breaker
DRILLING high abrasion, frozen soil, low impact

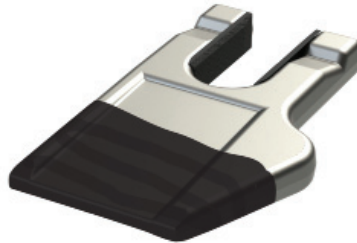
Due to varying manufacturers tolerances, Rub-R-Lok might be necessary to obtain the correct fit.

DIRT TEETH | CONSTRUCTION



37
Dirt Gage Tooth
- FAS-N-LOK®
- Replacement Teeth for Pengo Quick Change, AG Max and TRIMAX Augers and Boring Heads
- Typical Dirt Applications
PN 140027

POCKET	LBS	BUCKET QTY.
T-35; T-36	.5	50



37HF
Dirt Hardface Gage Tooth
- FAS-N-LOK®
- Replacement Teeth for Pengo Quick Change, AG Max and TRIMAX Augers and Boring Heads
- Abrasive, Impact
PN 140010

POCKET	LBS	BUCKET QTY.
T-35; T-36	.6	50



1336L
Carbide Dirt Tooth
- FAS-N-LOK®
- Replacement Teeth for TRIMAX and CS Augers
- Abrasive Frozen Soil
PN 140016

POCKET	LBS	BUCKET QTY.
T-35; T-36	.6	100



RB36LC
Carbide Dirt Tooth
- FAS-N-LOK®
- Replacement Teeth for TRIMAX and CS Augers
- Abrasive Frozen Soil
PN 140021

POCKET	LBS	BUCKET QTY.
T-35; T-36	.6	100



5T30
Carbide Dirt Tooth
- FAS-N-LOK®
- Replacement Teeth for Pengo TRIMAX Augers and Boring Heads
- Loose Rock, Abrasive, No Impact
PN 140029

POCKET	LBS	BUCKET QTY.
T-35; T-36	.4	100



5T30C
Carbide Dirt Tooth
- FAS-N-LOK®
- Replacement Teeth for Pengo TRIMAX Augers and Boring Heads
- Compacted Rock, Abrasive Soil, No Impact
PN 140012

POCKET	LBS	BUCKET QTY.
T-35; T-36	.4	50



5T30HF
Carbide Dirt Tooth
- FAS-N-LOK®
- Replacement Teeth for Pengo TRIMAX Augers and Boring Heads
- Rock, High Impact
PN 140014

POCKET	LBS	BUCKET QTY.
T-35; T-36	.6	50



RB5T30
Carbide Gage Tooth
- FAS-N-LOK®
- Replacement Teeth for Pengo TRIMAX Augers and Boring Heads
- Rock, High Impact
PN 140013

POCKET	LBS	BUCKET QTY.
T-35; T-36	.6	100

DIRT TEETH | FOUNDATION



2070
Dirt Tooth
- FAS-N-LOK®
- Replacement Teeth for Cast Replacement Heads
- Typical Dirt Applications
PN 140002



2072
Dirt Gage Tooth
- FAS-N-LOK®
- Replacement Teeth for Cast Replacement Heads
- Typical Dirt Applications
PN 140000



2077
Carbide Dirt Tooth
- FAS-N-LOK®
- Replacement Teeth for Cast Replacement Heads
- High Abrasion
PN 140003



2078
Carbide Gage Tooth
- FAS-N-LOK®
- Replacement Teeth for Cast Replacement Heads
- High Abrasion
PN 140004

POCKET	LBS	BUCKET QTY.
WA & FA 70	2	20

POCKET	LBS	BUCKET QTY.
WA & FA 70	2.3	20

POCKET	LBS	BUCKET QTY.
WA & FA 70	2.3	20

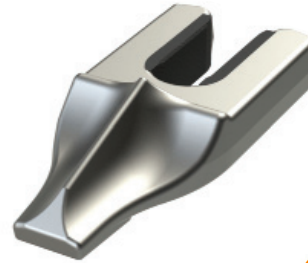
POCKET	LBS	BUCKET QTY.
WA & FA 70	2.4	20



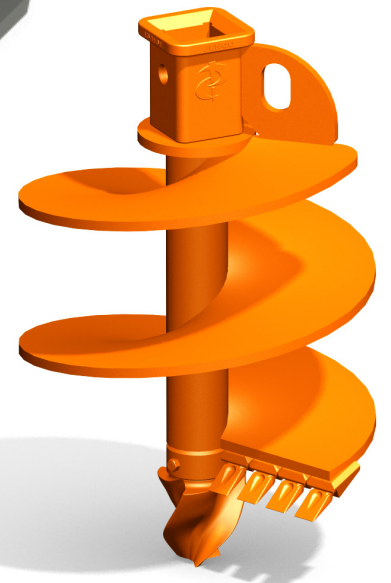
2079
Carbide Dirt Tooth
- FAS-N-LOK®
- Replacement Teeth for Cast Replacement Heads
- High Abrasion
PN 140001



16R55
Dirt Tooth
- FAS-N-LOK®
- Replacement Teeth for Foundation Dirt Augers
- Typical Dirt Applications
PN 140019



7R55
Carbide Chisel Dirt Tooth
- FAS-N-LOK®
- Replacement Teeth for Foundation Dirt Augers
- High Abrasion
PN 140018



16R51 Bident Tooth
1.1 lb. **PN 140509**

POCKET	LBS	BUCKET QTY.
WA & FA 70	3.3	20

POCKET	LBS	BUCKET QTY.
B-256, C-355, E-555	1	50

POCKET	LBS	BUCKET QTY.
B-256, C-355, E-555	1	50

TAPER FIT TEETH



60
Dirt Tooth
- Replacement Teeth for Foundation Augers
- Typical Dirt Applications
PN 170006



70
Dirt Tooth
- Replacement Teeth for Foundation Augers
- Typical Dirt Applications
PN 170020



80
Dirt Tooth
- Replacement Teeth for Foundation Augers
- Typical Dirt Applications
PN 170008



80C
Dirt Tooth
- Replacement Teeth for Foundation Augers
- Typical Dirt Applications
PN 170003

POCKET	LBS	BUCKET QTY.
WO-1	1	50

POCKET	LBS	BUCKET QTY.
WO-1	1	50

POCKET	LBS	BUCKET QTY.
WO-12	2	25

POCKET	LBS	BUCKET QTY.
WO-12	1.7	12



90P
Dirt Tooth
- Replacement Teeth for Foundation Augers
- Typical Dirt Applications
PN 134855



95P
Dirt Tooth
- Replacement Teeth for Foundation Augers
- Typical Dirt Applications
PN 170015



132
Dirt Tooth
- Replacement Teeth for Foundation Augers
- Typical Dirt Applications
PN 134406



134
Dirt Tooth
- Replacement Teeth for Foundation Augers
- Typical Dirt Applications
PN 134411

SZ90P SubZero Tooth
1.75 lbs. PN 134792

POCKET	LBS	BUCKET QTY.
WO-12	1.63	25

POCKET	LBS	BUCKET QTY.
WO-12	1.5	25

POCKET	LBS	BUCKET QTY.
WO-5; WO5HDS	2	15

POCKET	LBS	BUCKET QTY.
WO-5; WO5HDS	2	15

TAPER FIT TEETH


201
Dirt Tooth
- Replacement Teeth for
Foundation Augers
- Typical Dirt Applications
PN 170030



201C
Carbide Tooth
- Replacement Teeth for
Foundation Dirt Augers
- High Abrasion Digging
PN 170029



211
Dirt Tooth
- Replacement Teeth for
Foundation Dirt Augers
- High Abrasion
PN 170034



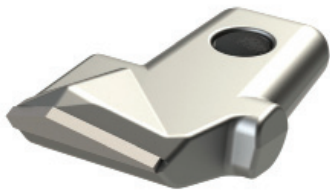
299
Carbide Tooth
- Replacement Teeth for
Foundation Dirt Augers
- High Abrasion
PN 134659

POCKET	LBS	BUCKET QTY.
WO-5; WO5HDS	2.1	20

POCKET	LBS	BUCKET QTY.
WO-5; WO5HDS	2.1	20

POCKET	LBS	BUCKET QTY.
WO-5; WO5HDS	2.9	20

POCKET	LBS	BUCKET QTY.
WO-5; WO5HDS	2.8	20



PFC2
Carbide Tooth
- Replacement Teeth for
Foundation Dirt Augers
- High Abrasion
PN 140112



PFC5
Carbide Tooth
- Replacement Teeth for
Foundation Dirt Augers
- High Abrasion
PN 140115



SZ210
Sub Zero Tooth
- Replacement Teeth for
Foundation Dirt Augers
- High Abrasion
PN 170032



SZ211
Sub Zero Tooth
- Replacement Teeth for
Foundation Dirt Augers
- High Abrasion
PN 170039

POCKET	LBS	BUCKET QTY.
WO-5; WO5HDS	2.5	20

POCKET	LBS	BUCKET QTY.
PFC-5H	1	50

POCKET	LBS	BUCKET QTY.
WO-8; WO-5; WO5HDS	2.5	15

POCKET	LBS	BUCKET QTY.
WO-8; WO-5; WO5HDS	3.5	15

DRAG STYLE TEETH



CB10
Carbide Tooth
- Replacement Teeth for MD and GP Step Rock Augers
- Dirt, Sand, Clay
PN 140055



604C
Carbide Tooth
- Replacement Teeth for MD and GP Step Rock Augers
- Hard Rock
PN 140065



CU7
Carbide Tooth
- Replacement Teeth for MD and GP Step Rock Augers
- Dirt, Sand, Clay
PN 134084



CJ2
Carbide Tooth
- Replacement Teeth for MD and GP Step Rock Augers
- Dirt, Sand, Clay
PN 850028

U7L Sub Zero
.55 lbs. **PN 134083**

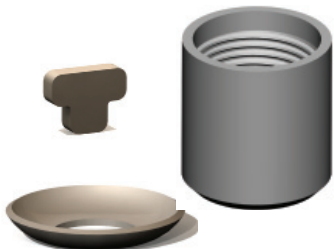
POCKET	LBS	BUCKET QTY.
H-10	.8	100

POCKET	LBS	BUCKET QTY.
H-10	.55	50

POCKET	LBS	BUCKET QTY.
CJ-2	.55	50

POCKET	LBS	BUCKET QTY.
CJ-2	.69	50

ACCESSORIES



STORAGE
- For Your MD Auger
10" 1345-3.75 DISH
6.8 lbs. **PN 151735**
10" CUST - 4" ID DISH **PN 132875**
8" 1345-3.00 DISH
4.5 lbs. **PN 151732**
8" 1345-3.75 DISH
4.5 lbs. **PN 151731**
2 3/8" API, 3 1/2" OD BOX
6.1 lbs. **PN 132191**
2-3/8" API, 4" OD BOX
PN 151193
WIND-UP 0.8 lbs. **PN 157704**



DRIVE LUGS
Cast Alloy
- Used with Screw Bit Pilots
141-L 375-TCH-171
1.3 lbs. **PN 151970**
141-R SB-35 or SB-45
1 lbs. **PN 151956**
141-MT SB-35 or SB-45
1.3 lbs. **PN 151960**
MF-MM SB-35 or SB-45
2.2 lbs. **PN 151020**



DRIVE PINS
- For use with Your PENGO Parts
DP-2 2" 3/8" x 1-1/2"
.1 lbs. **PN 157779**
DP-3 3" 1/2" x 2"
.1 lbs. **PN 157780**
DP-4 4" 5/8" x 2-3/4"
.3 lbs. **PN 157781**
DP-5 5" 5/8" x 2-3/4"
.5 lbs. **PN 157782**



TOOLS
- For use with Your PENGO Parts
SOFT HAMMER 3.5 lbs.
PN 137737
DRIFT PUNCH .8 lbs.
PN 137750
HORSESHOE NAIL 1 lbs.
PN 137620
RUBR-LOK .1 lbs.
PN 137601
P-10 Pin .1 lbs.
PN 137610

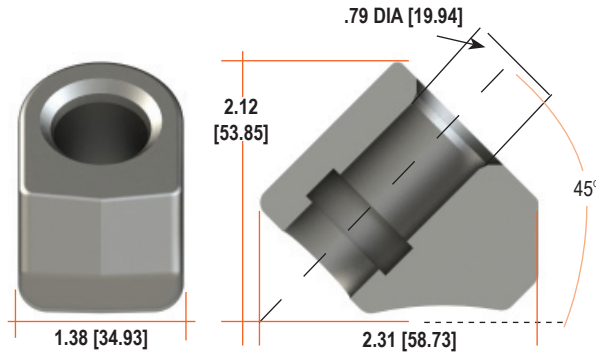
BLOCKS | CONICAL TEETH

P10

Conical Tooth Block
- Fits .76" Shank Size
Conical Teeth

PN 990043

LBS	BUCKET QTY.
.8	35



S10HD

Conical Tooth Block
- Fits .76" Shank Size
Conical Teeth

PN 850006

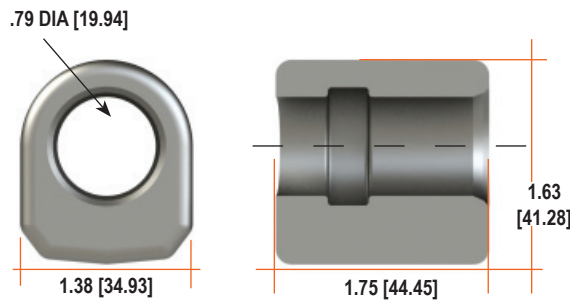
LBS	BUCKET QTY.
.60	35

P10F

Conical Tooth Block
- Fits .76" Shank Size
Conical Teeth

PN 990084

LBS	BUCKET QTY.
.55	40



S20HD

Conical Tooth Block
- Fits .74" Shank Size
Conical Teeth

PN 850007

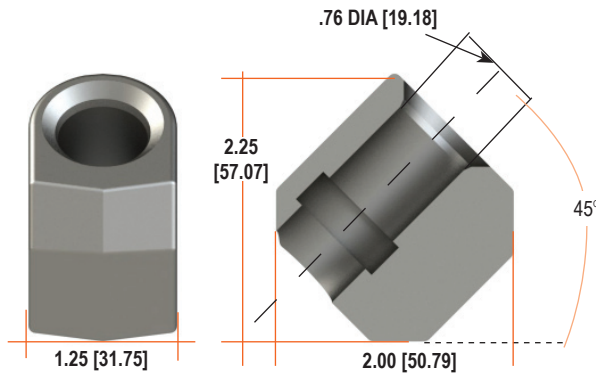
LBS	BUCKET QTY.
1.1	35

P20

Conical Tooth Block
- Fits .74" Shank Size
Conical Teeth

PN 990002

LBS	BUCKET QTY.
.7	40



S30H

Conical Tooth Block
- Fits 1" Shank Size
Conical Teeth

PN 850013

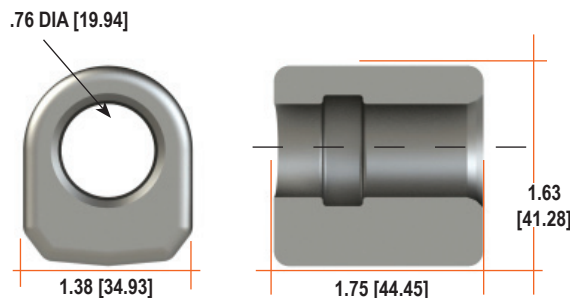
LBS	BUCKET QTY.
.9	40

P20F

Conical Tooth Block
- Fits .74" Shank Size
Conical Teeth

PN 990085

LBS	BUCKET QTY.
.9	40



B48

Conical Tooth Block
- Fits X
Conical Teeth

PN 800072

LBS	BUCKET QTY.
1.1	6

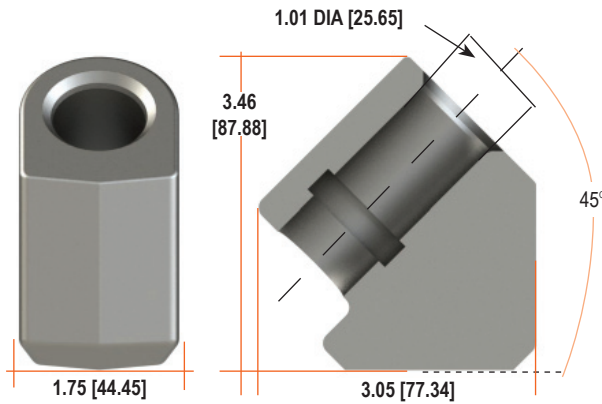
BLOCKS | CONICAL TEETH

P30

Conical Tooth Block
- Fits 1" Shank Size
Conical Teeth

PN 990001

LBS	BUCKET QTY.
2.6	12

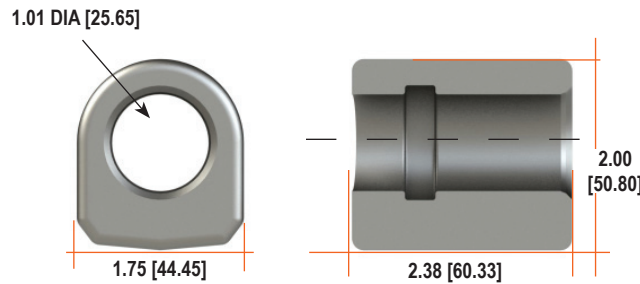


P30F

Conical Tooth Block
- Fits 1" Shank Size
Conical Teeth

PN 990082

LBS	BUCKET QTY.
.7	40

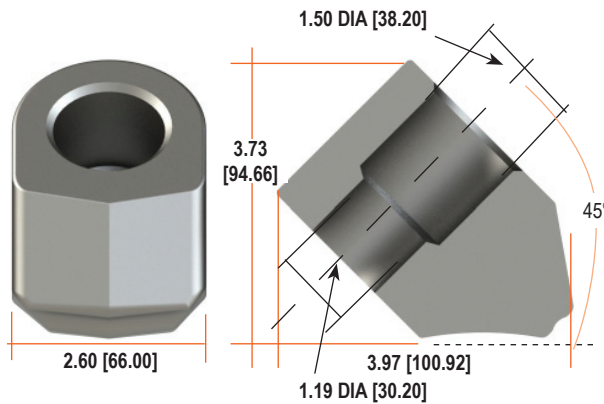


P4

Conical Tooth Block
- Fits Step Shank
Conical Teeth

PN 990003

LBS	BUCKET QTY.
3.65	8

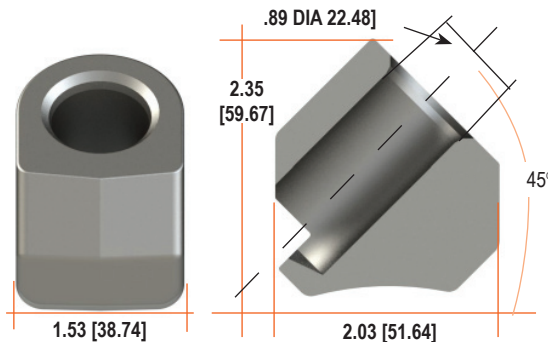


P87B

Conical Tooth Block
- Fits
Conical Teeth

PN 990029

LBS	BUCKET QTY.
2.6	25



P30F Holder



The P30F Holder is designed specifically for the PENGO Core Barrels. The straight design offers flexibility in angle placement.

P4 Holder



Eliminates Gap

The heavy-duty P4 Holder design eliminates the need to fill large gaps when welding holders in a row. No more excessive welding saves time and keeps heat treat properties intact.

BLOCKS | DIRT



T35 Angled

- Fits 35 Series Teeth

LBS 1
PN 171221



T36 Straight

- Fits 35 Series Teeth

LBS .5
PN 171231



1ASR

- Fits 2070 Series Teeth

LBS 2.4
PN 156980



FA-70

- Fits 2070 Series Teeth

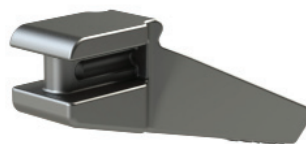
LBS 2
PN 158110



FA-70

- Fits 2070 Series Teeth

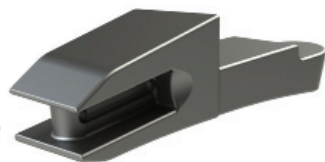
LBS 2
PN 158110



B-255

- Fits 16R55 Series Teeth

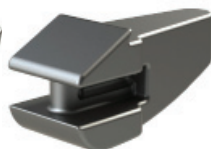
LBS 2.5
PN 155000



C-355

- Fits 16R55 Series Teeth

LBS 3
PN 155010



E-555

- Fits 16R55 Series Teeth

LBS 2.5
PN 154990



1XS

- Fits 1650 Series Teeth

LBS 1.6
PN 157010



BT-100

- Fits 1650 Series Teeth

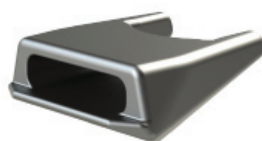
LBS 1.6
PN 157300



WT-50

- Fits 1650 Series Teeth

LBS 2.5
PN 158115



WO-1

- Fits 60 and 70 Taper Fit Teeth

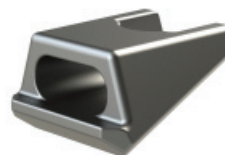
LBS 1.5
PN 171565



WO-12

- Fits 80, 90, & 95 Teeth

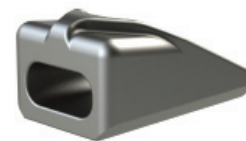
LBS 2.8
PN 171570



WO-5

- Fits 16R55 Series Teeth

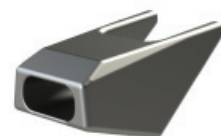
LBS 2.5
PN 171575



WO-5HDS

- Fits 16R55 Series Teeth

LBS 3
PN 171574



WO-8

- Fits 16R55 Series Teeth

LBS 2.5
PN 171577



H-10

- Fits CB-10 Drag Style Teeth

LBS .28
PN 157025



PFC-5H

- Fits PFC-5 Taper Fit Teeth

LBS 1.5
PN 157027



CJ-2

- Fits CJ2 Drag Style Teeth

LBS 1.5
PN 134098

HUBS & ADAPTERS



HEX

Cast Alloy Hubs

- Upgrade or repair any brand of auger

RH-1375		PN 133156
RH-812	.6 lbs.	PN 153955
RH-1625	3.1 lbs.	PN 153958
H-200U	10.5 lbs.	PN 154121
H-250	19.7 lbs.	PN 154141
H-262	17.6 lbs.	PN 154151
H-225	12.5 lbs.	PN 154160
H-300	21 lbs.	PN 154205



SQUARE

Cast Alloy Hubs

- Upgrade or repair any brand of auger

S-200	19 lbs.	PN 153990
S-225 FAB		PN 154002
S-250	21 lbs.	PN 154010
S-300	40 lbs.	PN 154020
S-3505	2.3 lbs.	PN 154030
S-400	65 lbs.	PN 154050
S-130MM	100 lbs.	PN 154161
S-150MM	175 lbs.	PN 154162
S-177MM	205 lbs.	PN 154163
S-200MM	390 lbs.	PN 154164



ROUND

Cast Alloy Hubs

- Upgrade or repair any brand of auger

1" General	1.4 lbs.	PN 153967
R-200	5.2 lbs.	PN 154080
R-256	9.5 lbs.	PN 154115



HEX ADAPTERS

Cast Adapters

H-200F X H-250M	22 lbs.	PN 132609
H-200F X H-262M	23 lbs.	PN 133379
H-200F X R-200M	14 lbs.	PN 557156
H-225F X H-200M	20 lbs.	PN 557159
H-250F X H-200M	30 lbs.	PN 132419
H-250F X H-262M	31 lbs.	PN 136466
H-250F X R-256M	31 lbs.	PN 151025
H-250F X S-200M	29 lbs.	PN 132946
H-250F X S-250M	33 lbs.	PN 133560
H-250F X H-262M		PN 136466
H-250F X S-200M		PN 132946
H-250F X S-250M		PN 133560
H-262F X H-200M	26 lbs.	PN 133938
H-262F X H-225M	26 lbs.	PN 133939
H-262F X H-250M	30 lbs.	PN 132702
H-262F X S-250M	30 lbs.	PN 132703
H-262F X S-300M		PN 133923
S-250F X H-225M	32 lbs.	PN 132842
S-300F X S-250M		PN 133137
S-350F X S-300M		PN 134797

SQUARE ADAPTERS

Cast Square Female Adapters

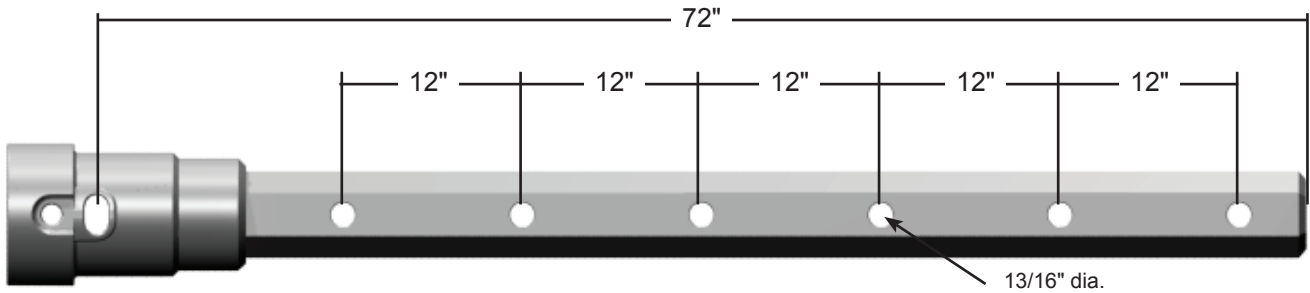
S-250 X S-300M	41 lbs.	PN 133914
130MM F X H300M		PN 661284
130MM F X S400M		PN 159033
150MM F X S400M		PN 154109
177MM F X 130MM M		PN 136615
200MM F X 150MM M		PN 136680

ROUND ADAPTERS

Cast Round Female Adapters

1" General	1.4 lbs.	PN 153967
R-200	5.2 lbs.	PN 154080
R-256	9.5 lbs.	PN 154115

EXTENSIONS & COUPLERS | UTILITY



TELESCOPING

Hex Extension

- Extend from 12" to 144"
- Available in 2", 2 1/2" and 2 5/8"

Hex	Part Number
HE20-12 2" HEX X 12"	PN 557142
HE20-24 2" HEX X 24"	PN 557143
HE20-36 2" HEX X 36"	PN 557144
HE20-48 2" HEX X 48"	PN 557145
HE20-60 2" HEX X 60"	PN 557146
HE20-72 2" HEX X 72"	PN 557147
HE20-84 2" HEX X 84"	PN 557148
HE20-96 2" HEX X 96"	PN 557149
HE20-120 2" HEX X 120"	PN 557150
HE20-144 2" HEX X 144"	PN 557151
HE25-12 2 1/2" HEX X 12"	PN 557126
HE25-24 2 1/2" HEX X 24"	PN 557162
HE25-36 2 1/2" HEX X 36"	PN 557128
HE25-48 2 1/2" HEX X 48"	PN 557129
HE25-60 2 1/2" HEX X 60"	PN 557130
HE25-72 2 1/2" HEX X 72"	PN 557163
HE25-90 2 1/2" HEX X 90"	PN 135598
HE26-12 2 5/8" HEX X 12"	PN 557119
HE26-24 2 5/8" HEX X 24"	PN 557120
HE26-36 2 5/8" HEX X 36"	PN 557121
HE26-48 2 5/8" HEX X 48"	PN 557122
HE26-60 2 5/8" HEX X 60"	PN 557160
HE26-72 2 5/8" HEX X 72"	PN 557161
HE225-72 1/4" HEX X 72"	PN 557140
H-250F X H-262M X 72"	PN 557172
H-262F X H-250M X 72"	PN 557170

3" TELESCOPING

Hex Extension

- Extend from 12" to 144"

H300 X 24" OAL	70 lbs.	PN 134870
H300 X 36" OAL	98 lbs.	PN 134871
H300 X 48" OAL	124 lbs.	PN 134872
H300 X 60" OAL	135 lbs.	PN 134844
H300 X 72" OAL	175 lbs.	PN 134847
H300 X 102" OAL		PN 134828

EXTENSION BARS

No Hubs with Holes

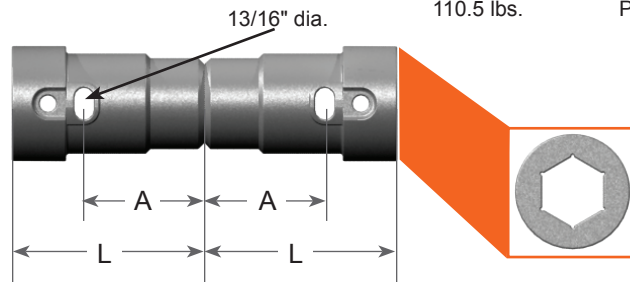
- Extend from 12" to 144"	
2" HEX X 72" STD	PN 137570
2 1/2" HEX X 72" STD	PN 137571
2 5/8" HEX X 72" STD	PN 137572

EXTENSION BARS

No Hubs no Holes

- Extend from 12" to 144"

2' HEX X 72" HEX BAR	70.7 lbs.	PN 151125
2 1/4" HEX X 72" HEX BAR	89.5 lbs.	PN 151126
2 1/2" HEX X 72" HEX BAR	110.5 lbs.	PN 151127
2 5/8" HEX X 72" HEX BAR	110.5 lbs.	PN 151128



HEX COUPLERS

for Utility

2" x 2"	A = 3"	L = 8"	13 lbs.	PN 553400
2 1/2" x 2 1/2"	A = 5"	L = 8"	22 lbs.	PN 553402
2 5/8" x 2 5/8"	A = 5"	L = 8"	21 lbs.	PN 553403

HEX COUPLERS

H262 X H262	PN 553399
H250 X H262	PN 553407
H262 X H262	PN 553411
H200 X H200	PN 553412
H200 X H200	PN 553413
H200 X H262	PN 553414
H200 X H262	PN 553415
H200 X H250	PN 553416
H200 X H250	PN 553417
H250 X H262	PN 553418
H250 X H262	PN 553419

**CONTACT PENGO SALES
AT 800.599.0211
FOR COMPLETE LISTING
OF REPLACEMENT PARTS**

EXTENSIONS | CONSTRUCTION



CS TELESCOPING

For adapting PENGO Standard Auger to Any Hand Held Earth Drill

G-1.00R X 24 GENERAL	PN 557091
G-1.375HX24 GENERAL	PN 557092
LB-1.25SX24 LIT BEAVER	PN 557093
GH-.875SX24 GROUND HOG	PN 557094
PC-1.31R X12 PENGO COLLAR	PN 557095
PC-1.687RX24 PENGO COLLAR	PN 557096
PC-1.687RX36 PENGO COLLAR	PN 557097

NOTE: Augers used with CS Extensions must be ordered with PENGO's CS collar (part no. 158065).

TELESCOPING

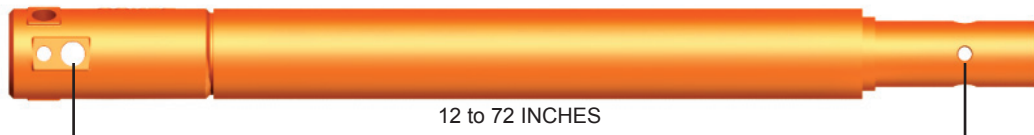
2" Hex with Standard Holes

HE20-12 STANDARD	22 lbs.	PN 557142
HE20-24 STANDARD	34 lbs.	PN 557143
HE20-36 STANDARD	46 lbs.	PN 557144
HE20-48 STANDARD	58 lbs.	PN 557145
HE20-60 STANDARD	70 lbs.	PN 557146
HE20-72 STANDARD	82 lbs.	PN 557147

EXTENSION BARS

2" Hex Bar with Standard Holes

2" HEX X 72"	PN 137570
2-5/8" HEX X 72"	PN 137572
H-250 X 72"	PN 137571
HE20-72	82 lbs. PN 557147



FIXED EXTENSIONS

2" Round Extension

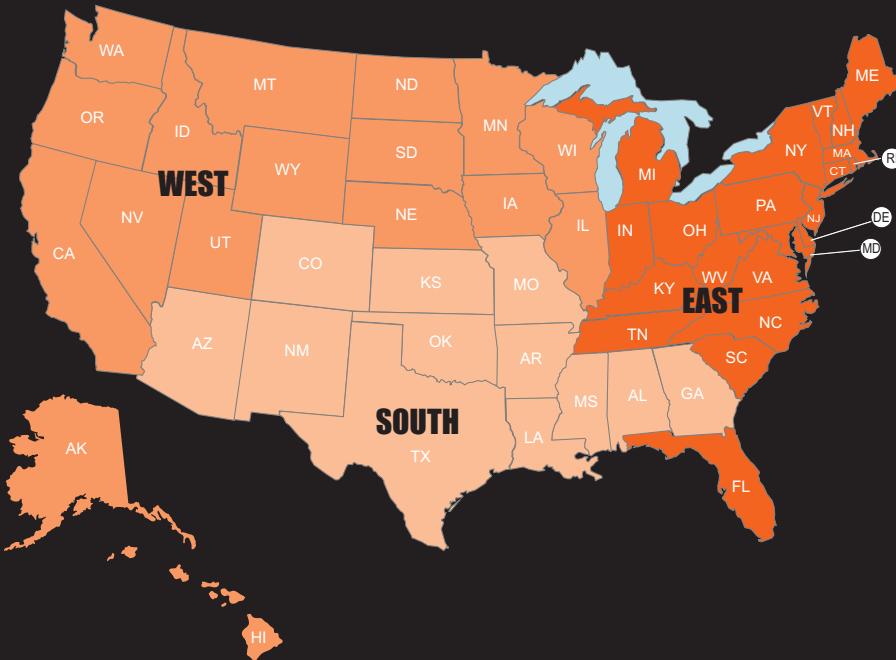
RE20-12	PN 557176
RE20-72	PN 557177
RE20-24	PN 557178
RE20-36	PN 557174
RE20-48	PN 557179

FIXED EXTENSIONS

2 9/16" Round Extension

RE20-12	PN 557176
RE25-12 STD FIXED	20 lbs. PN 134203
RE25-24 STD FIXED	31 lbs. PN 134204
RE25-36 STD FIXED	40 lbs. PN 134205
RE25-48 STD FIXED	50 lbs. PN 134206
RE25-60 STD FIXED	61 lbs. PN 134207
RE25-72 STD FIXED	72 lbs. PN 134208

sales contacts



Eric Hennarichs, Regional Sales Manager, East
317.286.8386 ehennarichs@paladinbrands.com

Gerry Logan, Regional Sales Manager, West
515.302.0206 glogan@paladinbrands.com

Brad Blackstone, Regional Sales Manager, South
972.489.7361 bblackstone@paladinbrands.com

Mary Pohlman, Sales Product Specialist
319-491-7943 mpohlman@paladinbrands.com

Dawn Jamison, Manager OEM Accounts & Sales Admin.
319.210.6895 djamison@paladinbrands.com

Dana Scudder, VP Sales & Marketing
561.400.9311 dscudder@paladinbrands.com

Pengo Limited Warranty

Products manufactured by Pengo wear and are expendable in their function. Wear and tear and occasional breakage must, therefore, be expected.

Pengo products are warranted from defects in material and workmanship for a period of Sixty (60) Days from the date of invoice. Pengo will either replace or credit the defective part at it's option. Any labor and/or material required to remove or install parts is excluded under this Limited Warranty. Products that have been misused, misapplied, hardfaced, improperly welded, or otherwise installed contrary to instructions and specifications are not covered by this Limited Warranty.

Pengo reserves the right to make design, specification and prices changes without notice and obligations to the affect of such changes.

Pengo makes no other warranty. All other warranties, whether express, implied or statuary, such as warranties of merchantability of fitness for a particular purpose, are hereby excluded and disclaimed to the extent that they exceed the warranties expressly granted in this limited warranty. In no event shall Pengo be liable for consequential or incidental damages. Whether direct or indirect, claimed by the customer and/or any third parties.

Returns and Claims

1. Pengo reserves the right to determine whether products claimed to be defective shall be inspected by our personnel in the field or returned to the factory. If judged by Pengo to be defective in material or workmanship, the product will be replaced or a credit issued at the option of Pengo.
2. Upon notification of defect, Pengo's Inside Sales Department will issue a Return Goods Authorization number (RGA). All returns for replacement or credit MUST be accompanied by a RGA number. Products returned without a RGA number will be rejected and returned to the sender freight collect.
3. All returns must be shipped "prepaid". Products shipped "collect" will be refused. Proof of purchase such as invoice number must accompany returns.
4. Slow moving dealer inventory may be returned once per calendar year. The net value cannot exceed 5% of the previous year's purchases. A 20% re-stocking charge will apply to the net value or returned products. All returns must be of current manufacture and in un-used condition. Rusty or custom painted products will not be accepted for return.



Distributed By:



Website

Scan these QR codes with your smart phone and gain instant access to our web site or call us automatically.

Not familiar with QR codes? Simply go to www.inigma.mobi on your mobile device. I-nigma will automatically identify your smart phone and install the code reader.



Phone

PENGO
500 EAST HIGHWAY 10
LAURENS, IA 50554
PH: 800.599.0211 OR 712.845.2540
FX: 712.845.2497
WWW.PENGOATTACHMENTS.COM
PENGOSALES@PALADINBRANDS.COM

© COPYRIGHT 2012 PENGO



INTERNATIONAL
EQUIPMENT
SOLUTIONS

www.iesholdings.com