

AGRICULTURAL MACHINERY
sitrex®
Spa

SPARE PARTS LIST

MK/10 - MK/12

TABLE NO. 920.151 REAR PART

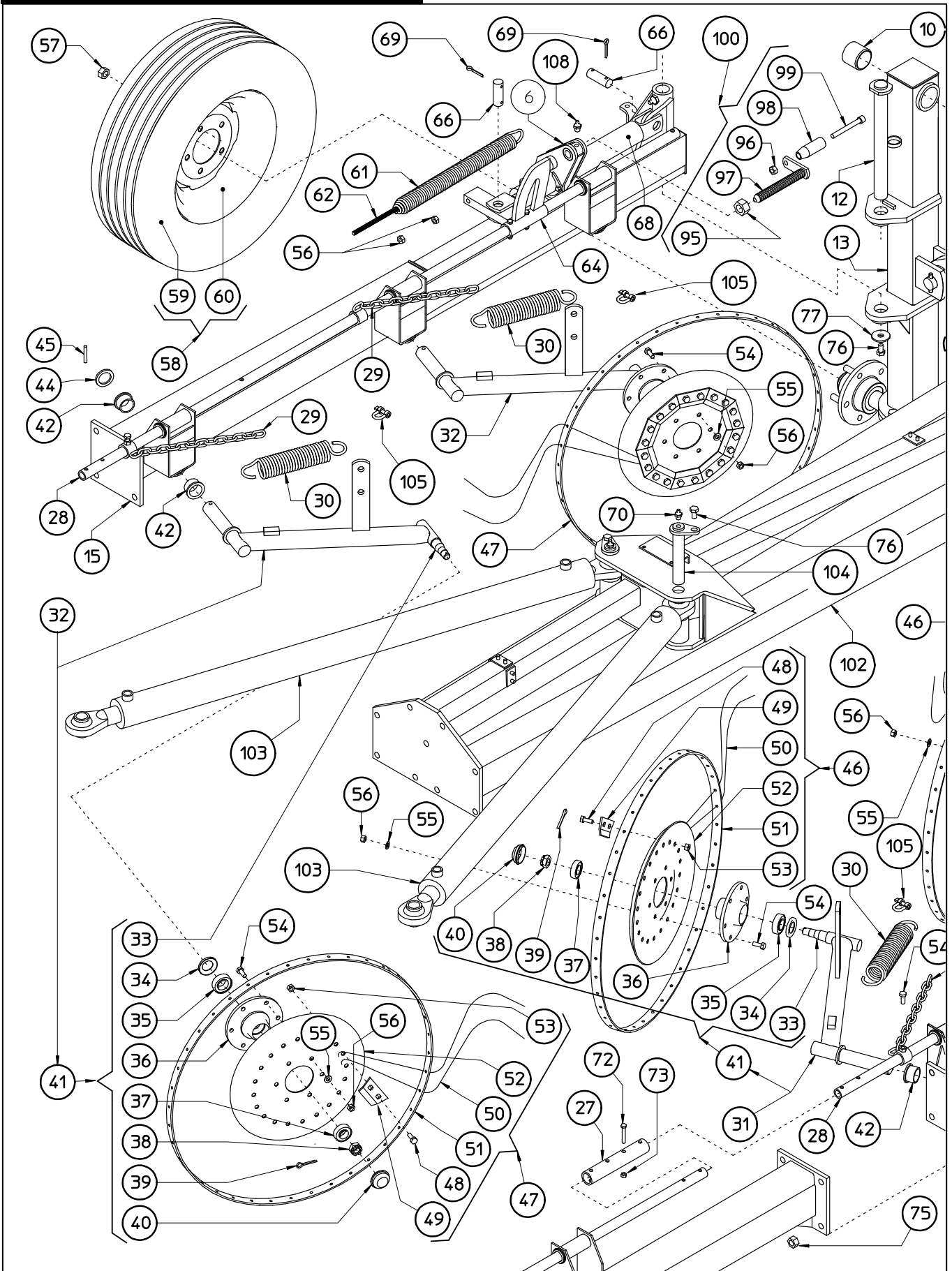


TABLE NO. 920.151 REAR PART

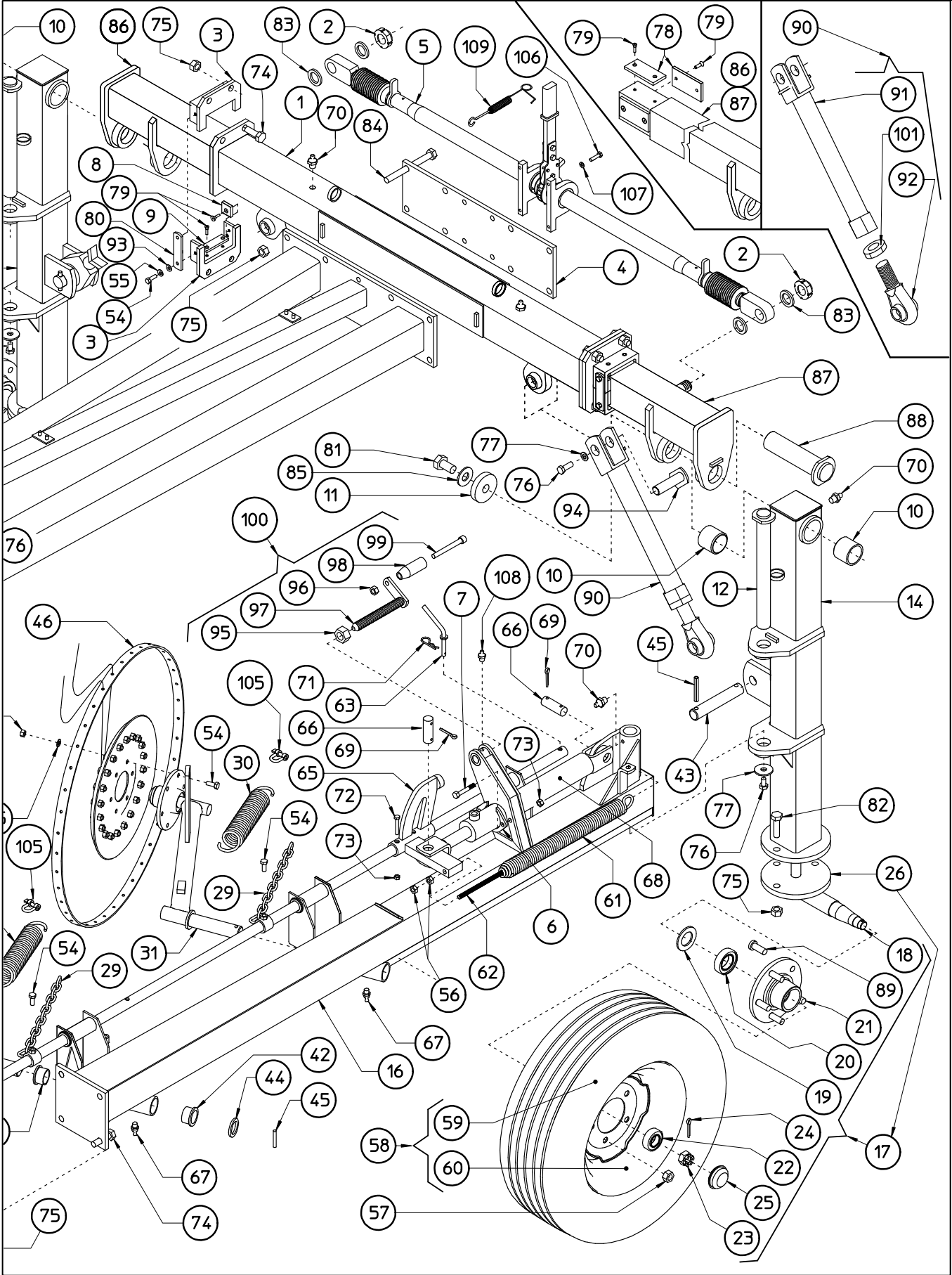
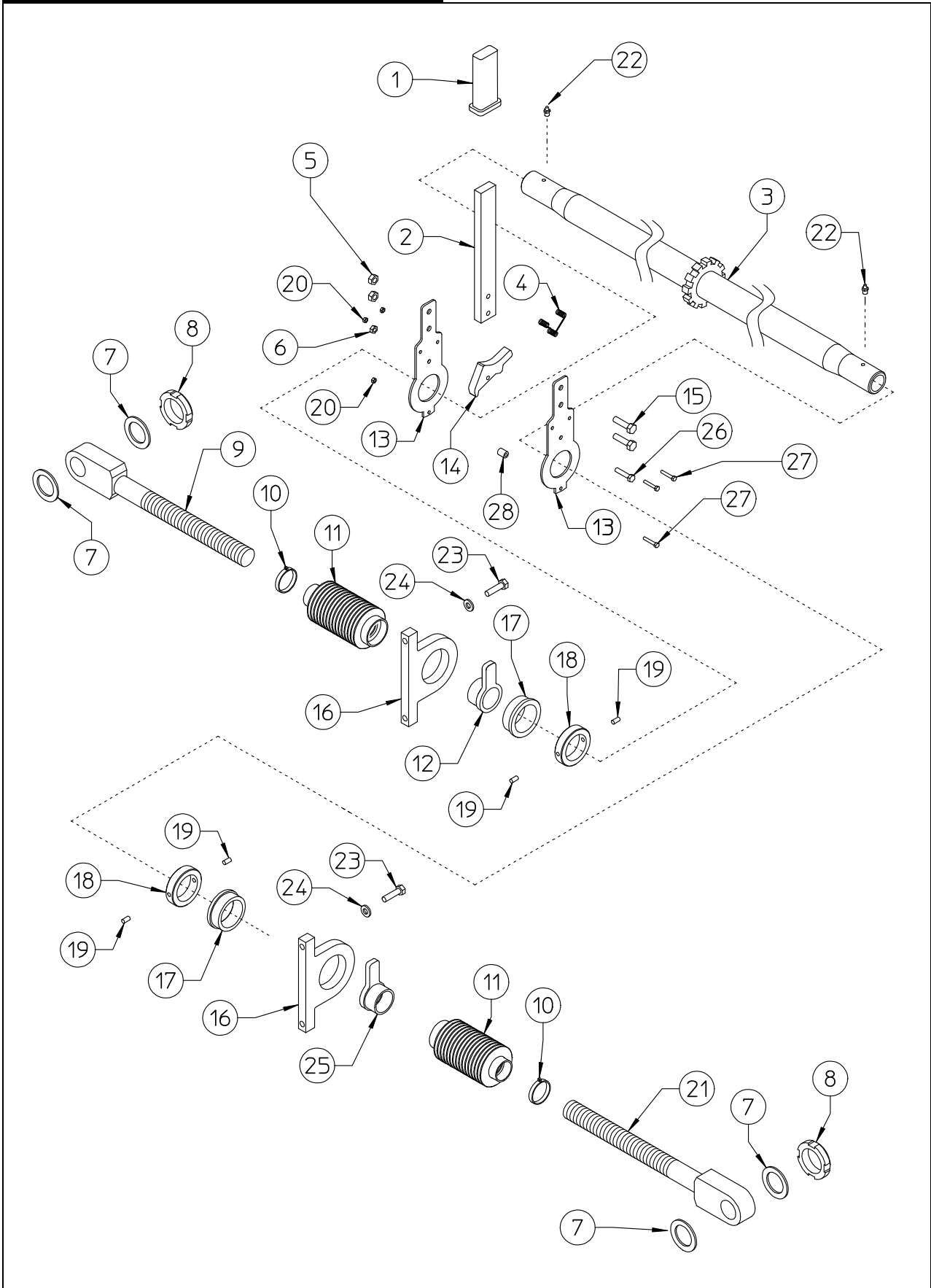


TABLE NO 920.151 REAR PART					
ITEM	Q.ty MK10	Q.ty MK12	PART NO	DESCRIPTION	NOTE
1	1	1	220.177	OUTER CROSSPIECE	
2	2	2	610.593	LOCK-NUT M30 x 1,5	*
3	4	4	220.042	SLIDING SUPPORT	
4	1	1	220.176	DRAWBAR FIXING COUNTER PLATE	
5	1	1	210.981	RATCHET LINK	*
6	2	2	220.526	CYLINDER LOCKING PLATE	
7	4	4	600.735	SCREW M8 X 65 DIN 931 8.8	
8	8	8	210.912	SLIDING	
9	4	4	210.911	SLIDING	
10	8	8	200.199	BUSH	
11	2	2	200.822	WASHER	
12	2	2	200.829	PIN	
13	1	1	220.183	REAR WHEEL SUPPORT,RH	
14	1	1	220.184	REAR WHEEL SUPPORT,LH	
15	1	1	220.362	SECTION 2 WHEEL,RH	
16	1	1	220.363	SECTION 2 WHEEL,LH	
17	2	2	215.782	HUB ASSY	
18	2	2	220.443	PIN	
19	2	2	600.284	DUST COVER	
20	2	2	600.285	BEARING 30208	
21	2	2	600.286	HUB WITH SCREWS	
22	2	2	600.287	BEARING 30206	
23	2	2	600.288	CASTLE NUT M27 X 1,5	
24	2	2	600.291	SPLIT PIN D 4 X 40	
25	2	2	600.290	CAP	
26	2	2	200.784	HUB ASSY	
27	2	4	220.357	BUSH	
28	2	2	220.350	MAIN PIPE	
29	10	12	220.356	CHAIN BUSH	
30	12	12	200.046	SPRING	
31	5	6	200.803	LH ARM	
32	5	6	200.008	RH ARM	
33	10	12	205.277	PIN	
34	10	12	600.011	DUST COVER	
35	10	12	600.012	BEARING 30205	
36	10	12	600.013	HUB	
37	10	12	600.014	BEARING 30204	
38	10	12	600.015	LOCK-NUT M18 X 1,5 - 6	
39	10	12	600.301	SPLIT PIN D 3 X 30 DIN 94 3.6	
40	10	12	600.016	CAP	
41	10	12	205.041	HUB ASSY	
42	20	24	200.029	BUSH	
43	2	2	220.191	PIN	
44	20	24	200.028	WASHER	
45	14	16	600.027	SPRING PIN D 8 X 50 DIN 1481	
46	5	6	210.181	LH FINGER WHEEL ASSY	
47	5	6	210.180	RH FINGER WHEEL ASSY	
48	200	240	600.005	SCREW M10 X 25 DIN 603 6.8	
49	100	120	200.012	TINE LOCK	
50	400	480	210.621	TINE	
51	10	12	200.009	RIM	
52	10	12	200.010	FLANGE	
53	200	240	600.029	NUT M10 DIN 980	
54	86	100	600.006	SCREW M10 X 25 DIN 933 8.8	
55	60	72	600.024	SPRING WASHER D 10,5	

TABLE NO 920.151 REAR PART					
ITEM	Q.ty MK10	Q.ty MK12	PART NO	DESCRIPTION	NOTE
56	64	76	600.010	NUT M10 DIN 934 - 8	
57	20	20	600.289	NUT M16 X1,5	
58	4	4	600.281	WHEEL ASSY	
59	4	4	600.303	TIRE	
60	4	4	600.304	RIM	
61	2	2	210.152	SPRING	
62	2	2	210.173	TIEROD	
63	2	2	220.377	PIN	
64	1	1	220.358	RH SUPPORT	
65	1	1	220.359	LH SUPPORT	
66	4	4	200.032	PIN	
67	10	12	600.968	GREASE NIPPLE M6 - 45°	
68	2	2	210.150	CYLINDER	
69	8	8	600.038	SPLIT PIN D6 X 35 DIN 94 3.6	
70	12	12	600.034	GREASE NIPPLE M8	
71	13	13	600.019	PIN	
72	12	20	610.525	SCREW M 8 X 60 DIN 931 8.8	
73	18	26	600.076	NUT M8 DIN 980	
74	31	39	610.167	SCREW M16 X 45 DIN 933 8.8	
75	49	57	600.080	NUT M16 DIN 980	
76	18	18	600.770	SCREW M12 X 20 DIN 933 8.8	
77	14	14	500.160	FLAT WASHER	
78	8	8	210.858	SLIDING	
79	32	32	610.663	SCREW M8 X 16 DIN 7991 8.8	
80	4	4	220.043	LINKING PLATE	
81	2	2	600.150	SCREW M22 X 50 DIN 933 8.8	
82	6	6	600.384	SCREW M16 X 50 DIN 933 8.8	
83	4	4	220.208	SHIM	*
84	8	8	610.839	SCREW	
85	2	2	600.214	SPRING WASHER D 23	
86	1	1	210.830	RH INNER CROSSPIECE	
87	1	1	210.831	LH INNER CROSSPIECE	
88	2	2	210.100	PIN	
89	10	10	610.413	SCREW M16 X1,5	
90	2	2	210.833	TIE ROD, COMPLETE	
91	2	2	220.222	TIE ROD PIPE	
92	2	2	220.223	TIE ROD HEAD	
93	8	8	600.322	WASHER D 10,5 DIN 433	
94	2	2	220.209	PIN	
95	2	2	600.200	NUT M22 DIN 934 - 8	
96	2	2	600.008	NUT M12 DIN 934 - 8	
97	2	2	210.177	HANDLE	
98	2	2	600.965	KNOB	
99	2	2	600.967	SCREW M12 X 100 DIN 912 8.8	
100	2	2	210.178	HANDLE, COMPLETE	
101	2	2	610.813	NUT M30 DIN 936	
102	1	1	220.174	REAR DRAWBAR	
103	2	2	210.149	CYLINDER	
104	2	2	210.134	PIN	
105	10	12	610.317	"D" SHACKLES	
106	6	6	600.757	SCREW M8 X 30 DIN 933 8.8	*
107	4	4	600.229	SPRING WASHER D 8,5	*
108	2	2	600.124	GREASE NIPPLE M6	
109	1	1	220.378	SPRING	
*	1	1	220.260	RATCHET LINK, KIT COMPLETE	

RATCHET LINK PART NO. 220.260



RATCHET LINK PART NO. 220.260				
ITEM	Q.ty	PART NO	DESCRIPTION	NOTE
1	1	610.811	HANDLE	*
2	1	220.213	LEVER	*
3	1	220.182	SCREW PIPE	*
4	1	220.073	SPRING	*
5	2	600.076	NUT M8 DIN 980	*
6	1	600.472	NUT M6 DIN 980	*
7	4	220.208	SHIM	
8	2	610.593	LOCK-NUT M30 X 1.5	
9	1	220.193	TIE ROD RH	*
10	2	610.507	RING	*
11	2	220.192	RUBBER COVER	*
12	1	220.201	LOCKING BUSH RH	*
13	2	220.205	LEVER SUPPORT	*
14	1	220.070	LOCKING HOOK	*
15	2	600.757	SCREW M8 X 30 DIN 933 8.8	*
16	2	220.195	PIPE SUPPORT	*
17	2	220.196	NYLON BUSH	*
18	2	220.206	BUSH	*
19	4	600.107	SPRING PIN D 6 X 18 DIN 1481	*
20	3	610.718	NUT M4 DIN 982 - 8	*
21	1	220.194	TIE ROD LH	*
22	2	600.124	GREASE NIPPLE M6	*
23	2	600.757	SCREW M8 X 30 DIN 933 8.8	
24	2	600.229	SPRING WASHER	
25	1	220.202	LOCKING BUSH LH	*
26	1	600.202	SCREW M6 X 25 DIN 933 8.8	*
27	3	610.717	SCREW M4 X 25 DIN 933 8.8	*
28	3	220.215	BUSH	*
*	1	210.981	RATCHET LINK	

TABLE NO. 920.111 FRONT PART

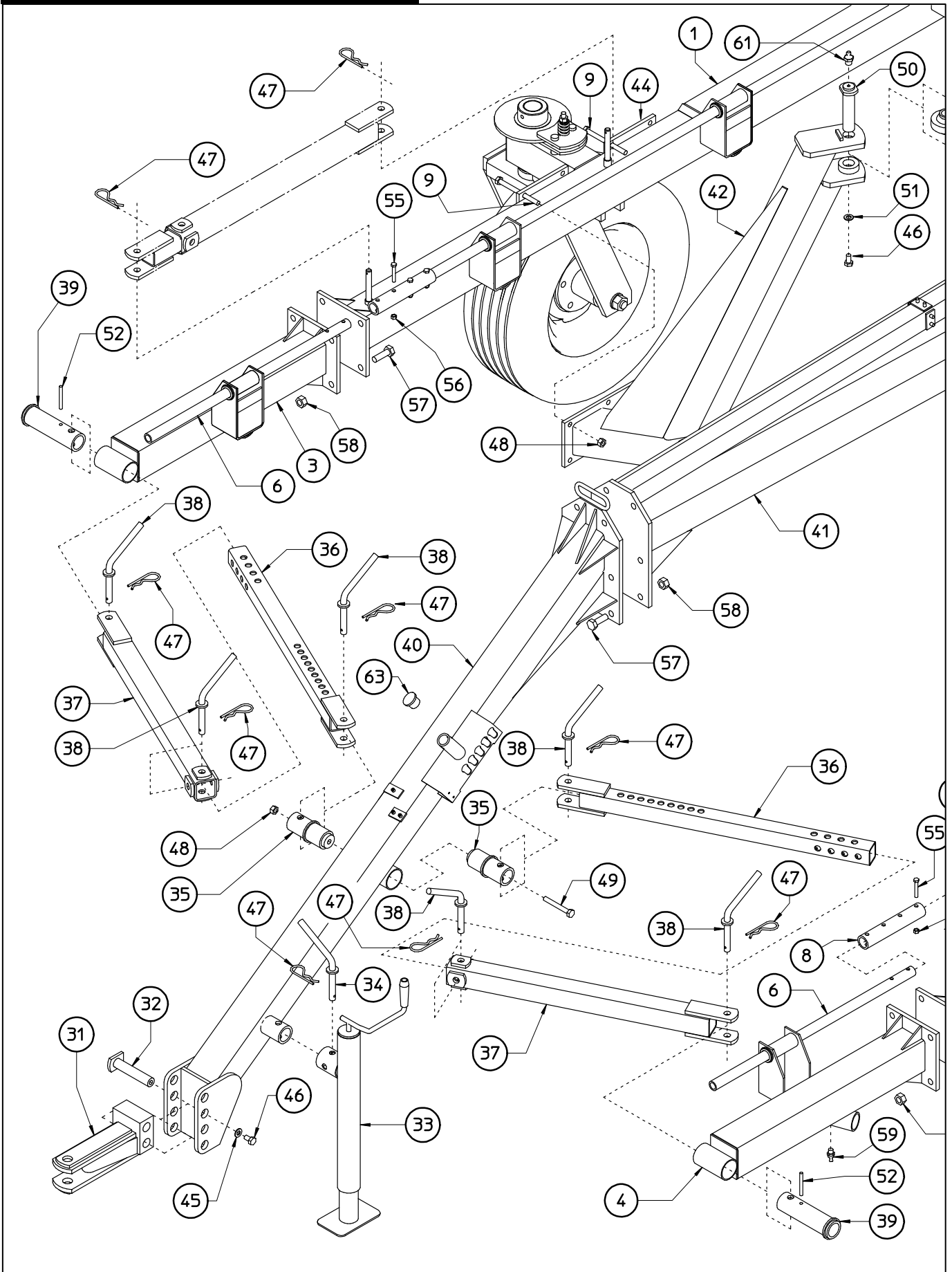


TABLE NO. 920.111 FRONT PART

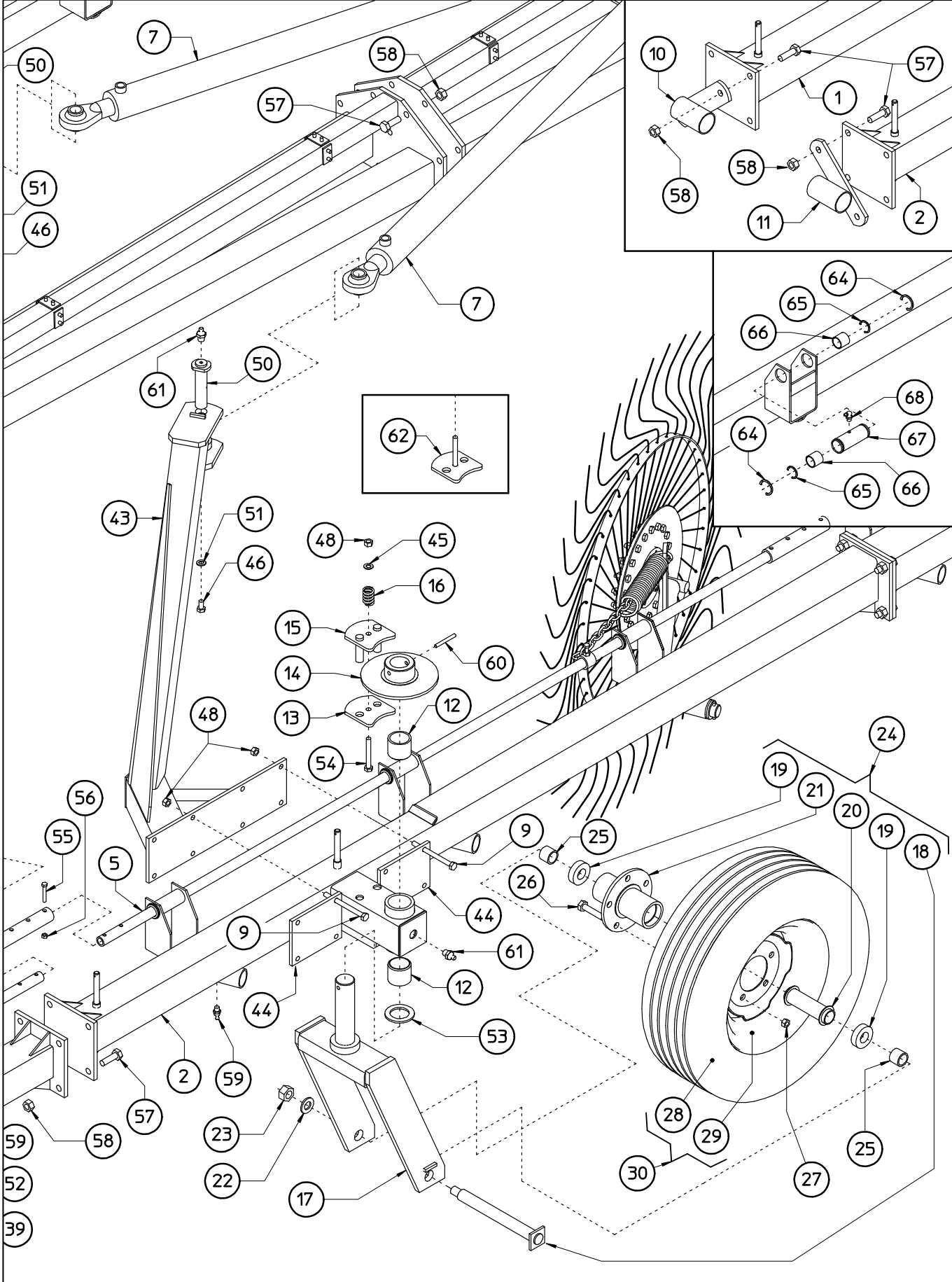


TABLE NO. 920.111 FRONT PART					
ITEM	Q.ty MK10	Q.ty MK12	PART NO	DESCRIPTION	NOTE
1	1	1	220.364	SECTION 3 RH WHEEL	
2	1	1	220.365	SECTION 3 LH WHEEL	
3	*	1	220.366	SECTION 1 RH WHEEL	
4	*	1	220.367	SECTION 1 LH WHEEL	
5	2	2	220.351	CENTER MAIN PIPE	
6	*	2	220.352	FRONT PIPE	
7	2	2	210.149	CYLINDER	
8	2	2	220.357	BUSH	
9	20	20	600.001	SCREW M12 X140 DIN 931 8.8	
10	1	1	200.939	TRANSPORT ARMS RH HITCH	
11	1	1	200.940	TRANSPORT ARMS LH HITCH	
12	4	4	200.199	BUSH	
13	2	2	205.684	BRAKE COUNTER PLATE	OLD TYPE
14	2	2	200.025	BUSH	
15	2	2	200.810	BRAKE	
16	2	2	200.044	SPRING	
17	2	2	210.168	WHEEL SUPPORT	
18	2	2	210.184	PIN	
19	4	4	600.609	BEARING 6206 2RS	
20	2	2	200.140	SPACER	
21	2	2	200.139	HUB	
22	2	2	200.165	WASHER	
23	2	2	600.079	NUT M22 DIN 980	
24	2	2	210.169	HUB ASSY	
25	4	4	210.170	SPACER	
26	10	10	600.144	SCREW M16X1,5 X 40 DIN 961 8.8	
27	20	20	600.289	NUT M16 X1,5	
28	4	4	600.303	TIRE	
29	4	4	600.304	RIM	
30	4	4	600.281	WHEEL ASSY	
31	1	1	210.306	TRACTOR HITCH	
32	1	1	200.828	PIN	
33	1	1	220.166	PARKING STAND	
34	1	1	200.222	PIN	
35	2	2	200.818	BUSH	
36	2	2	200.817	INNER ARM	
37	2	2	200.816	OUTER ARM	
38	6	6	200.820	PIN	
39	2	2	200.819	BUSH	
40	1	1	210.019	FRONT DRAWBAR	

TABLE NO. 920.111 FRONT PART					
ITEM	Q.ty MK10	Q.ty MK12	PART NO	DESCRIPTION	NOTE
41	1	1	210.095	CENTER DRAWBAR	
42	1	1	210.840	FIX ARM,RH	
43	1	1	210.841	FIX ARM,LH	
44	4	4	200.774	COUNTERPLATE	
45	5	5	600.092	FLAT WASHER	
46	18	18	600.770	SCREW M12 X 20 DIN 933 8.8	
47	13	13	600.019	PIN	
48	23	23	600.077	NUT M12 DIN 980	
49	1	1	600.618	SCREW M12 X 60 DIN 931 8.8	
50	2	2	210.135	PIN	
51	14	14	500.160	WASHER	
52	2	2	600.446	SPRING PIN D 8 X 70 DIN 1481	
53	2	2	210.179	WASHER	
54	2	2	600.152	SCREW M12 X 90 DIN 931 8.8	
55	12	20	610.525	SCREW M 8 X 60 DIN 931 8.8	
56	14	22	600.076	NUT M 8 DIN 980	
57	31	39	610.167	SCREW M16 X 45 DIN 933 8.8	
58	49	57	600.080	NUT M16 DIN 980	
59	10	12	600.968	GREASE NIPPLE M 6 - 45°	
60	2	2	600.033	PIN D 10 X 80 DIN 1481	
61	12	12	600.034	GREASE NIPPLE M8	
62	2	2	210.931	BRAKE CONTERPLATE	NEW TYPE
63	1	1	610.790	PLUG	
64	20	24	610.833	SEEGER E 50	
65	20	24	610.898	ELASTIC RING SB 44	
66	20	24	220.342	NYLON BUSH	
67	10	12	220.343	BUSH	
68	12	14	600.968	GREASE NIPPLE M6 - 45°	

TABLE NO. 920.112 HYDRAULIC KIT

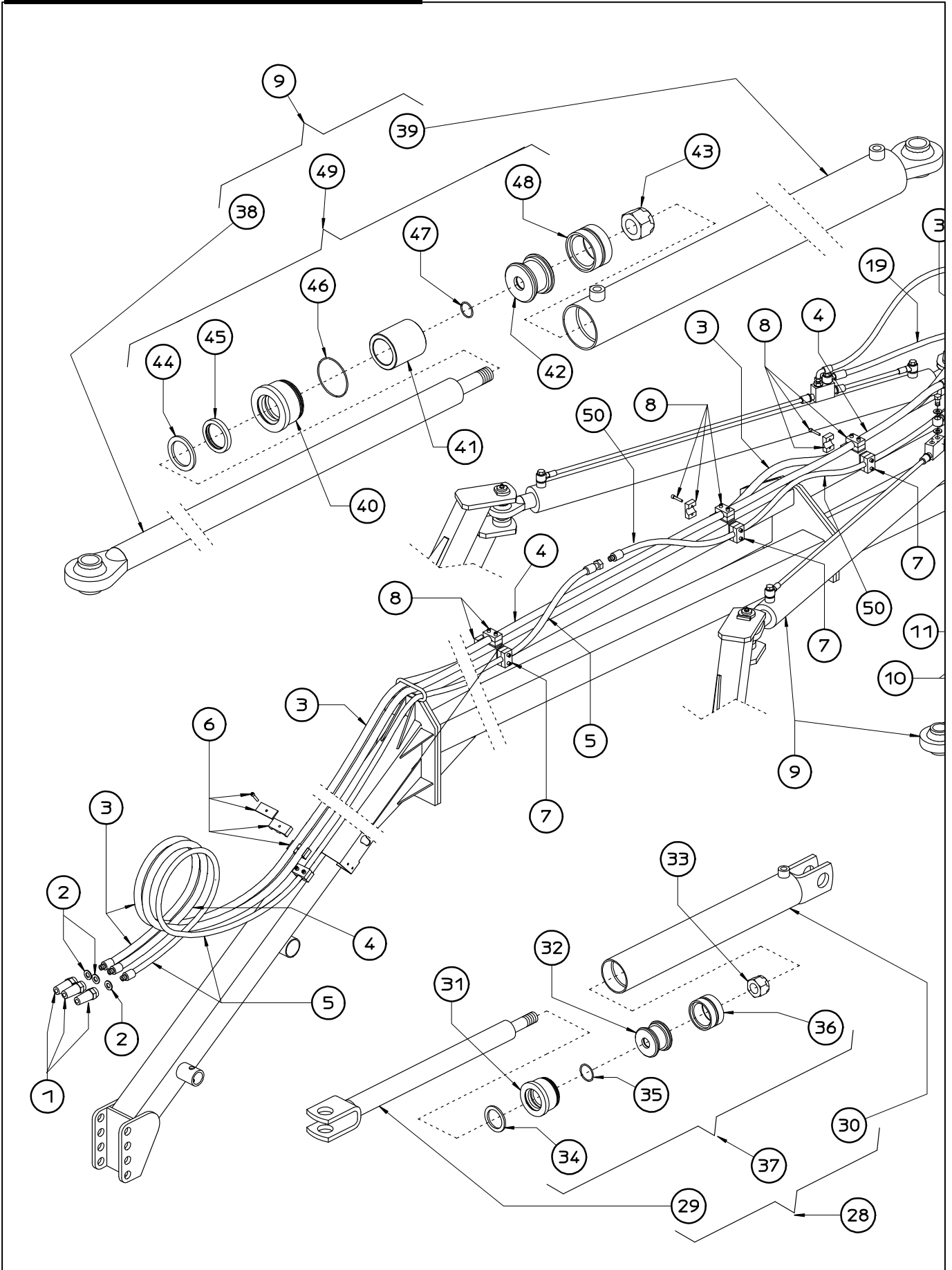


TABLE NO. 920.112 HYDRAULIC KIT

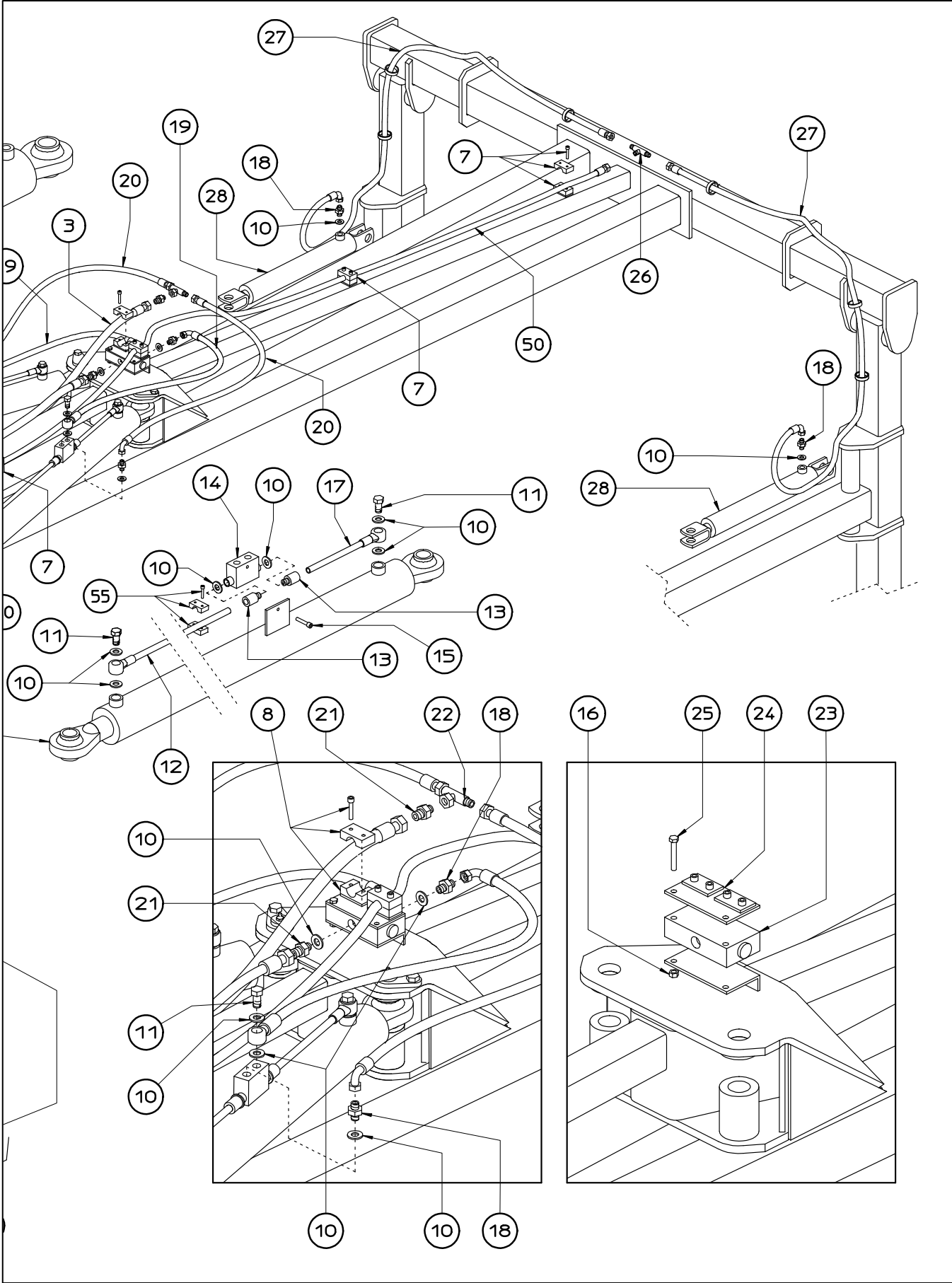


TABLE NO 920.112 HYDRAULIC KIT					
ITEM	Q.ty MK10	Q.ty MK12	PART NO	DESCRIPTION	NOTE
1	3	3	600.273	RAPID COUPLING 1/2"	
2	3	3	600.269	COPPER WASHER 1/2"	
3	1	1	610.727	HOSE SAE100 R2AT 1/2 FD 1/2 - MD 1/2	
4	1	1	610.726	HOSE SAE100 R2AT 1/2 FD 1/2 - MD 1/2	
5	1	1	610.728	HOSE SAE100 R2AT 3/8 MD 1/2" - FD 3/8"	
6	1	1	600.978	DOUBLE HOSE COLLAR	
7	7	7	600.822	HOSE COLLAR	
8	7	7	600.971	HOSE COLLAR	
9	2	2	210.149	CYLINDER	
10	23	23	600.039	COPPER WASHER 3/8"	
11	6	6	600.040	FITTING D 3/8"	
12	2	2	210.195	IRON PIPE	
13	4	4	610.469	FITTING	
14	2	2	600.799	LOCK VALVE VSD 3/8"	
15	2	2	600.869	SCREW M 6 X 40 DIN 931 8.8	
16	5	5	600.472	NUT M 6 DIN 980	
17	2	2	210.194	IRON PIPE	
18	6	6	600.270	NIPPLE 3/8" - 3/8"	
19	2	2	610.729	HOSE SAE100 R2AT 3/8 O 3/8" - F90 3/8"	
20	2	2	610.730	HOSE SAE100 R2AT 3/8 F90 3/8 - FD 3/8	
21	2	2	600.416	NIPPLE 3/8" - 1/2"	
22	1	1	600.977	FITTING MM-FG 3/8"	
23	1	1	600.974	FLOW DIVIDER	
24	1	1	210.188	PLATE	
25	2	2	600.970	SCREW M 6 X 60 DIN 931 8.8	
26	1	1	600.272	FITTING MM-M 3/8"	
27	2	2	610.731	HOSE SAE100 R2AT 3/8 FD 3/8 - F90 3/8	
28	2	2	210.816	CYLINDER	
29	2	2	210.221	ROD	
30	2	2	210.222	CYLINDER PIPE	

TABLE NO 920.112 HYDRAULIC KIT					
ITEM	Q.ty MK10	Q.ty MK12	PART NO	DESCRIPTION	NOTE
31	2	2	200.302	HEAD	
32	2	2	200.304	PISTON	
33	2	2	600.642	NUT M18 X1.5 DIN 982 - 8	
34	2	2	600.645	GASKET WRM 118149 (D.30)	
35	2	2	600.646	GASKET OR 117 (D.20.29 X 2.62)	
36	2	2	600.648	GASKET DBM 196133 BORE 50	
37	2	2	620.022	KIT GASKET	
38	2	2	220.428	ROD	
39	2	2	220.426	CYLINDER PIPE	
40	2	2	220.422	HEAD	
41	2	2	220.424	SPACER	
42	2	2	220.420	PISTON	
43	2	2	610.922	NUT M27 X 2 DIN 985 - 8	
44	2	2	600.980	GASKET WRM 177208 (D.45)	
45	2	2	600.981	GASKET B 216177 (D.45)	
46	2	2	610.923	GASKET OR 839 + PBK (D.63.50 X 3.53)	
47	2	2	610.921	GASKET OR 121 (D.26,65 X 2,62)	
48	2	2	600.984	GASKET DBM 275196 BORE 70	
49	2	2	610.925	KIT GASKET	
50	1	1	610.732	HOSE SAE100 R2AT 3/8 MD 3/8" - FD 3/8"	
55	1	1	610.421	HOSE COLLAR	

TABLE NO. 920.152 HYDRAULIC REAR OPENING KIT (OPTIONAL)

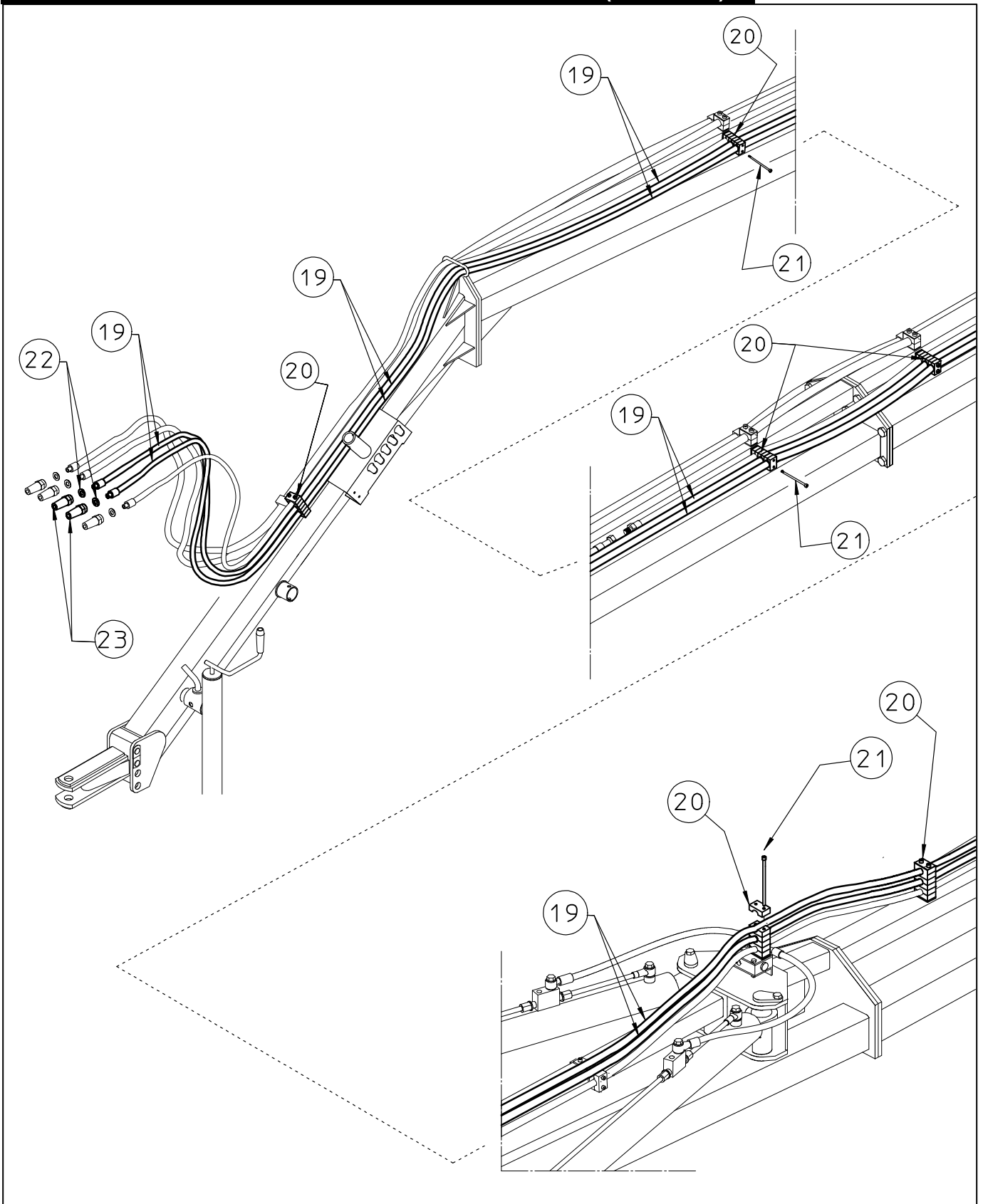


TABLE NO. 920.152 HYDRAULIC REAR OPENING KIT (OPTIONAL)

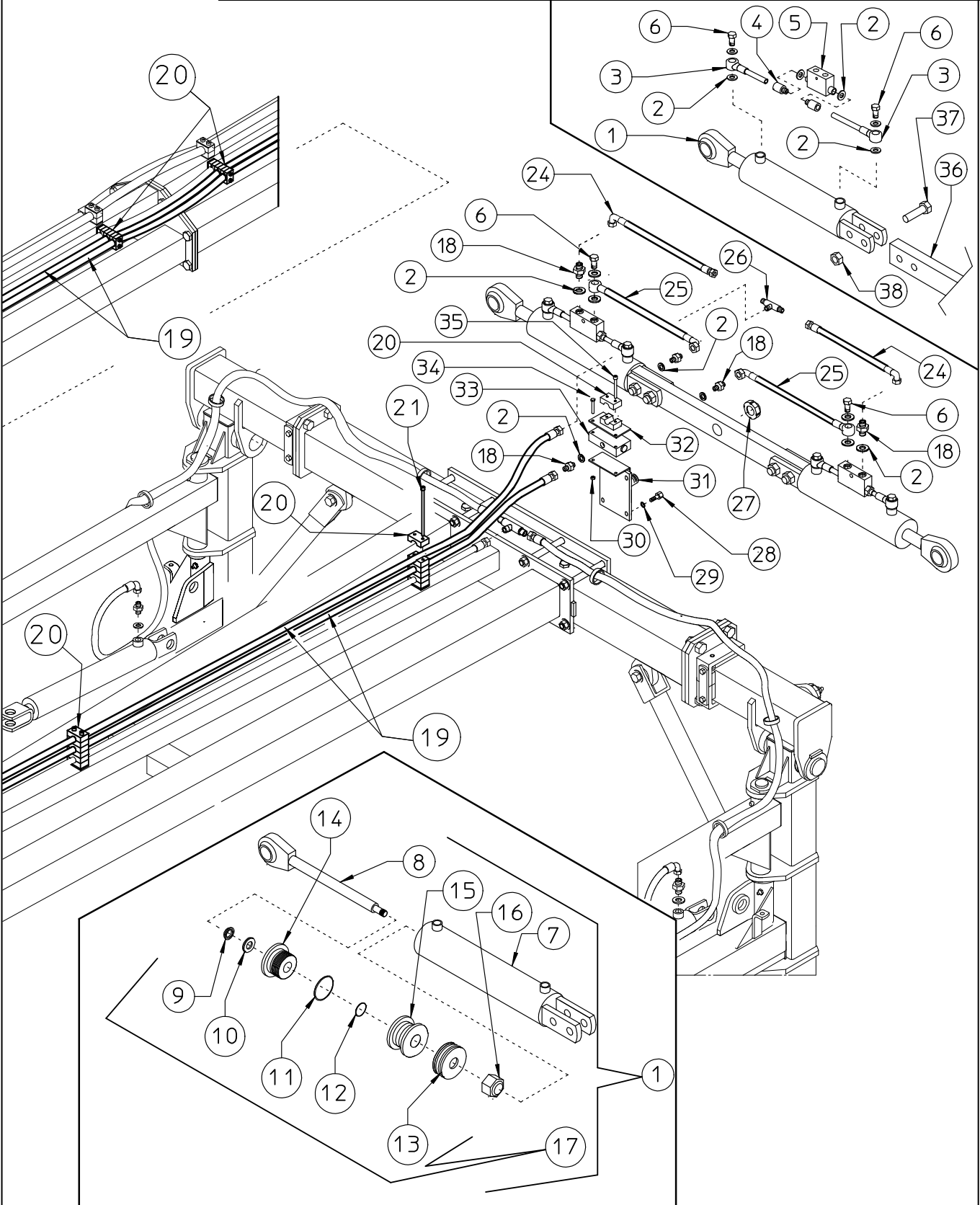
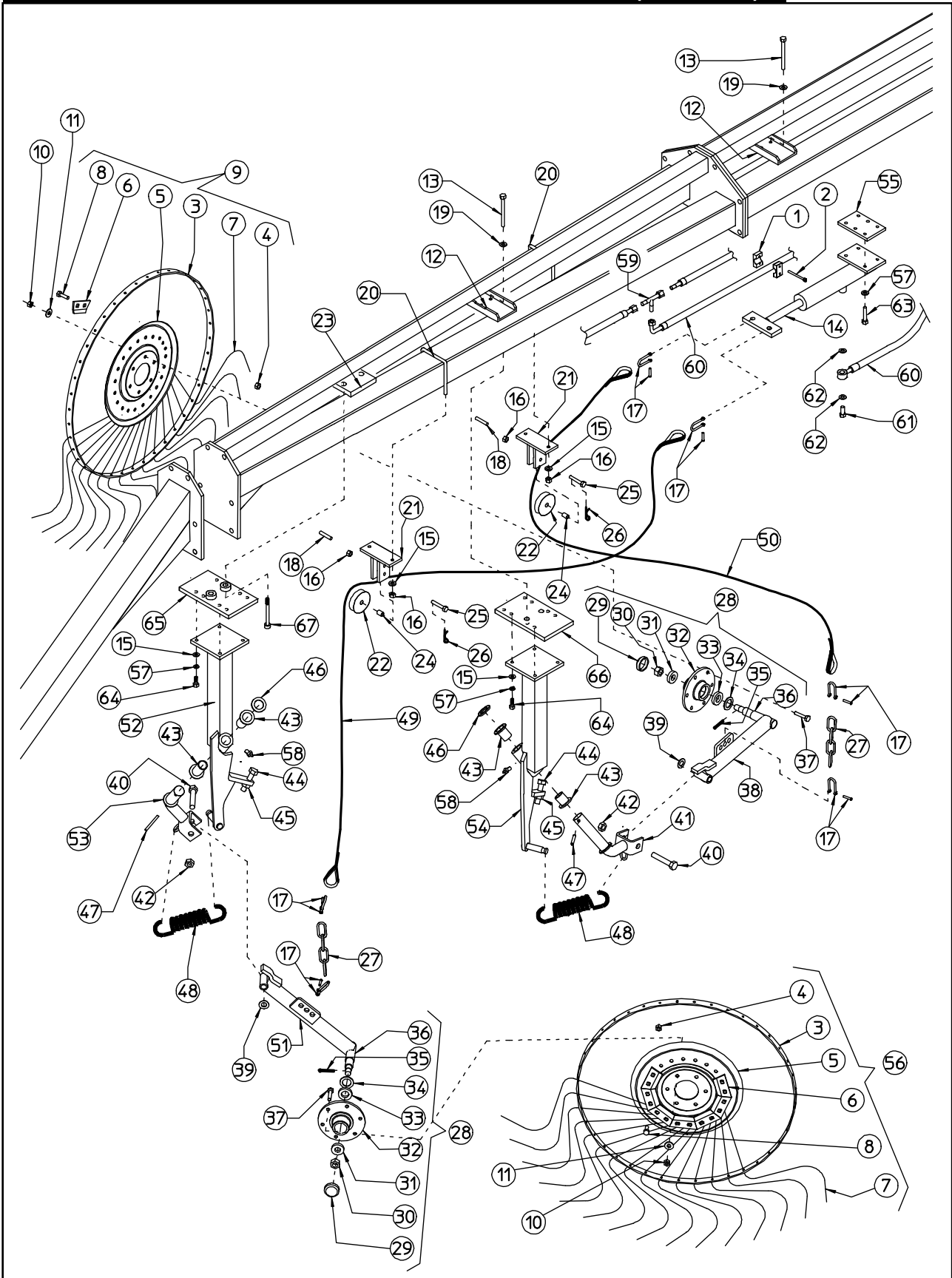


TABLE NO 920.152 HYDRAULIC REAR OPENING KIT (OPTIONAL)					
ITEM	Q.ty MK10	Q.ty MK12	PART NO	DESCRIPTION	NOTE
1	2	2	220.227	CYLINDER	
2	21	21	600.039	COPPER WASHER D 3/8"	*
3	4	4	610.511	IRON PIPE	*
4	4	4	610.469	FITTING	*
5	2	2	600.799	LOCK VALVE VSD 3/8"	*
6	6	6	600.040	FITTING D 3/8"	*
7	2	2	220.226	CYLINDER BARREL	
8	2	2	220.225	ROD	
9	2	2	600.645	GASKET WRM 118149 D 50	
10	2	2	610.031	GASKET B 157118 D 30	
11	2	2	600.875	GASKET OR 832 D 52,39 X 3,53	
12	2	2	600.646	GASKET OR117 D 20,29 X 2,62	
13	2	2	600.647	GASKET DBM 236173 BORE 60	
14	2	2	200.301	CYLINDER HEAD	
15	2	2	200.303	PISTON	
16	2	2	610.087	LOCK-NUT M20 X1.5 DIN 982 - 8	
17	2	2	610.030	SET OF GASKETS	
18	5	5	600.270	NIPPLE M 3/8"-M 3/8"	*
19	2	2	610.828	HOSE SAE100 R2AT 3/8 MP 1/2" - FP 3/8"	* MK 10/12
19	2	2	610.697	HOSE SAE100 R2AT 3/8 MP 1/2" - FP 3/8"	* MK 14/16
19	2	2	610.830	HOSE SAE100 R2AT 3/8 MP 1/2" - FP 3/8"	* MK 18/20
20	26	26	610.035	HALF HOSE COLLAR	
21	14	14	610.956	SCREW M6 X 95	
22	2	2	600.269	COPPER WASHER D 1/2"	*

TABLE NO 920.152 HYDRAULIC REAR OPENING KIT (OPTIONAL)					
ITEM	Q.ty MK10	Q.ty MK12	PART NO	DESCRIPTION	NOTE
23	2	2	600.273	RAPID COUPLING D 1/2"	*
24	2	2	610.778	HOSE SAE100 R2AT 3/8 FP 3/8" - F9P 3/8"	*
25	2	2	610.699	HOSE SAE100 R2AT 3/8 FP90 3/8" - O 3/8"	*
26	1	1	600.272	FITTING MM-M 3/8"	*
27	1	1	610.593	LOCK-NUT M30 X 1,5	
28	4	4	600.702	SCREW M8 X 25 DIN 933 8.8	
29	4	4	600.115	WASHER D 8,4 DIN 7972	
30	2	2	600.472	NUT M6 DIN 980	
31	1	1	220.259	CYLINDER SUPPORT	
32	1	1	220.283	HOSE SUPPORT	
33	1	1	600.974	FLOW DIVIDER	
34	2	2	600.970	SCREW M6 X 60 DIN 931 8.8	
35	2	2	610.037	SCREW M6 X 25 DIN 912 8.8	
36	1	1	215.979	CYLINDER ROD	
37	4	4	600.292	SCREW M16 X 70 DIN 933 8.8	
38	4	4	600.080	NUT M16 DIN 980	
*	1	1	220.248	HYDRAULIC KIT	MK 10/12
*	-	-	220.281	HYDRAULIC KIT	MK 14/16
*	-	-	220.250	HYDRAULIC KIT	MK 18/20
-	1	1	220.171	HYDRAULIC REAR OPENING KIT	MK 10/12
-	-	-	220.263	HYDRAULIC REAR OPENING KIT	MK 14/16
-	-	-	220.173	HYDRAULIC REAR OPENING KIT	MK 18/20

PART NO. 220.344 HYDRAULIC CENTRAL WHEELS KIT (OPTIONAL)



HYDRAULIC CENTRAL WHEELS KIT (OPTIONAL)

HYDRAULIC CENTRAL WHEELS KIT PART NO. 220.344 (OPTIONAL)				
ITEM	Q.ty	PART NO.	DESCRIPTION	NOTE
1	4	610.035	HALF HOSE COLLAR 3/8"	
2	4	610.906	SCREW M6 X 130 8.8	MK hydraulic rear opening
2	4	610.901	SCREW M6 X 60 DIN 912 8.8	MK standard rear opening
3	2	200.840	RIM	
4	40	600.029	NUT M10 DIN 980	
5	2	200.010	FLANGE	
6	20	200.012	TINE LOCK	
7	80	200.841	TINE	
8	40	600.005	SCREW M10 X 25 DIN 603 6.8	
9	1	200.802	WHEEL ASSY L.H.	RH SIDE
10	12	600.010	NUT M10 DIN 934 - 8	
11	12	600.024	SPRING WASHER D 10.5	
12	2	220.347	COUNTER PLATE	
13	4	600.392	SCREW M16 X 120 DIN 931 8.8	
14	1	210.567	LIFT CYLINDER	
15	12	600.089	WASHER D 13 DIN 125A	
16	6	600.077	NUT M12 DIN 980	
17	6	610.317	FORK ASSY	
18	2	600.539	SPRING PIN D 6 X 45 DIN 1481	
19	4	600.180	SPRING WASHER	
20	2	210.582	U BOLT	
21	2	210.564	PULLEY BRACKET	
22	2	200.741	PULLEY	
23	1	220.507	COUNTERPLATE	
24	2	210.581	BUSH	
25	2	210.627	SCREW	
26	2	600.019	SPLIT PIN	
27	2	210.657	CHAIN	
28	2	205.777	HUB ASSY	
29	2	600.016	CAP	
30	2	600.015	CASTLE NUT M18 X 1,5 - 6	
31	2	600.014	BEARING 30204	
32	2	205.291	HUB	
33	2	600.012	BEARING 30205	
34	2	600.011	DUST COVER	
35	2	600.301	SPLIT PIN D 3 X 30 DIN 94 3.6	
36	2	205.819	PIN	
37	12	600.006	SCREW M10 X 25 DIN 933 8.8	
38	1	210.566	ARM	
39	2	600.756	WASHER D 19 DIN 433	
40	2	600.266	SCREW M18 X 100 DIN 931 8.8	
41	1	210.617	BRACKET	
42	2	600.078	NUT M18 DIN 980	
43	4	200.029	BUSH	
44	2	600.564	SCREW M12 X 60 DIN 933 8.8	
45	2	600.052	NUT M12 DIN 934 - 8	
46	2	200.028	WASHER	
47	2	600.027	SPRING PIN D 8 X 50 DIN 1481	
48	2	210.610	SPRING	
49	1	220.348	STEEL CABLE	
50	1	220.383	STEEL CABLE	
51	1	210.563	ARM	
52	1	220.345	BRACKET	
53	1	210.616	BRACKET	
54	1	210.565	BRACKET	
55	1	220.346	PLATE	
56	1	200.801	WHEEL ASSY R.H.	LH SIDE
57	12	600.018	SPRING WASHER D 13	
58	2	600.968	GREASE NIPPLE M6 - 45°	
59	1	610.411	FITTING	*
60	1	610.899	CYLINDER HOSE	*
61	1	600.040	FITTING 3/8"	*
62	2	600.039	COPPER WASHER	*
63	4	610.962	SCREW M12 X 30 DIN 933 8.8	
64	8	600.441	SCREW M 12 X 25	
65	1	220.505	PLATE	
66	1	220.506	PLATE	
67	2	620.017	SCREW	
*	1	220.349	HYDRAULIC ASSY	



AGRICULTURAL MACHINERY
sitrex® Spq .

Zona Industriale-Viale Grecia, 8
06018 TRESTINA-(Perugia)-ITALY
Tel. +39.075.8540021-Telefax +39.075.8540523
e-mail: sitrex@sitrex.it www.sitrex.com

