

MANDARCO Agri



**HEAVIEST PRODUCTION
BUILT LAND ROLLER
ON THE MARKET**



**Roll rocks, gather and mole hills
flush with ground level.**

LAND ROLLERS

SWATH ROLLERS

Hay Crops

Soybeans

Corn- Root Stalks

Pulse Crops

No Till Acres



HEAVIEST PRODUCTION BUILT LAND ROLLER ON THE MARKET



NEW 5 Section Machine

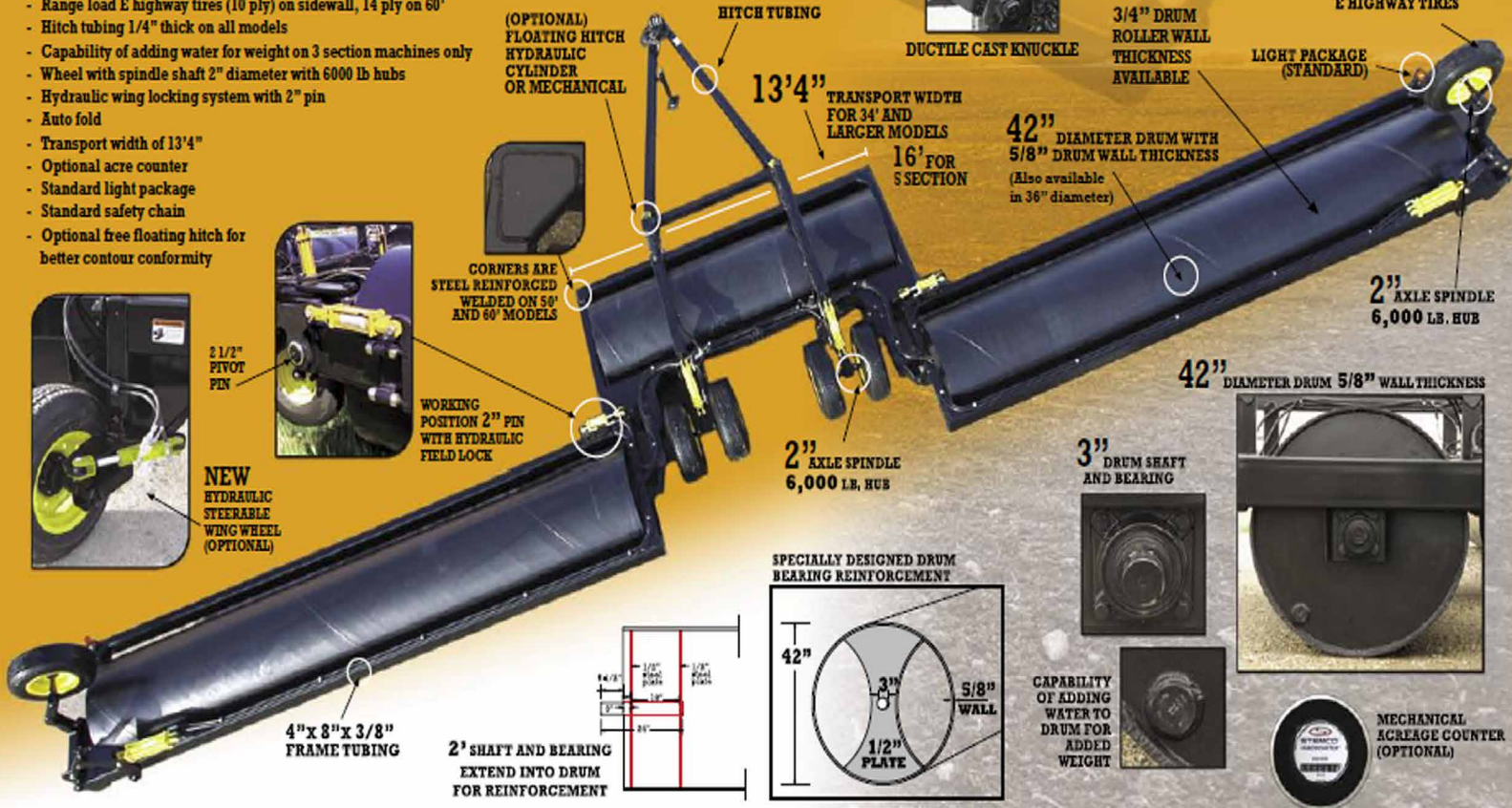
ROLLER FEATURES

- 5/8" drum roller wall thickness (3/4" available)
- 42" drum diameter (36" available)
- 3" drum shaft and bearing 2' shaft extends into drum
- 4" x 8" frame tubing 1/4" thick, 45' & larger 3/8" thick
- Range load E highway tires (10 ply) on sidewall, 14 ply on 60"
- Hitch tubing 1/4" thick on all models
- Capability of adding water for weight on 3 section machines only
- Wheel with spindle shaft 2" diameter with 6000 lb hubs
- Hydraulic wing locking system with 2" pin
- Auto fold
- Transport width of 13'4"
- Optional acre counter
- Standard light package
- Standard safety chain
- Optional free floating hitch for better contour conformity

WORKING WIDTHS:

- 3 Section: 12', 15', 20', 30', 34', 40', 45', 50', 60'
- 5 Section: 65', 70', 75', 80', 85'

SINGLE ROLLER READY FOR TRANSPORT • WORKING WIDTHS: 12' - 15' - 20'



MANUFACTURER RESERVES THE RIGHT TO MAKE CHANGES IN SPECIFICATIONS OR PRODUCTS AT ANY TIME WITHOUT NOTICE OR OBLIGATION.



POLY SWATH ROLLER

- 8' and 10' working widths
- 8' transport with wheels 9.5'
- 10' transport with wheels 11'
- Range from 350 lbs to 450 lbs
- Outside edge diameter: 34'
- Center diameter: 22'
- Hitch length: 80"
- Wheels: 4 bolt
- Tires: 15"
- One year parts warranty



AXLE MOUNT SWATH ROLLER

- 8' and 10' working widths
- Range from 350 lbs to 450 lbs
- Outside edge diameter: 34'
- Center diameter: 22'
- One year parts warranty

MANDAKO Agri



**HEAVIEST BUILT LAND
ROLLER ON THE MARKET**



BEFORE



AFTER

LAND ROLLERS

**Hay Crops
Soybeans
Corn Root Stalks
Pulse Crops
No Till Acres**

HEAVIEST BUILT LAND ROLLER ON THE MARKET



WORKING WIDTHS:

Single Section: 12', 15', 20' • 3 Section: 30', 34', 40', 45', 50', 60' • 5 Section: 61', 65', 70', 75', 80', 85'



LAND ROLLER FEATURES

- 5/8" drum roller wall thickness (3/4" available on most models)
- 42" drum diameter (36" available)
- 4" x 8" frame tubing 3/8" thick
- Range load E highway tires (10 ply) on sidewall, 14 ply on 60'
- Capability of adding water for weight (some models)
- Wheel with spindle shaft 2" diameter with 6000 lb hubs
- Hydraulic wing locking system with 2" pin
- Auto fold
- Transport width of 13' 2" on 3-plex & 16' on 5-plex
- Optional acre counter
- Standard light package
- Standard safety chain
- Optional free floating hitch for better contour conformity
- Hydraulic steerable wing wheel with dual option

Light Package (Standard)

Optional Hydraulic or Mechanical Floating Hitch

Hitch Tubing

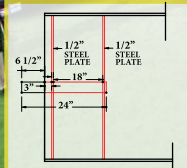
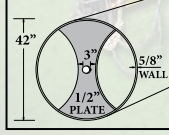
42" Diameter Drum with 5/8" Drum Wall Thickness (Also available in 36" diameter)

4" x 8" x 3/8" Frame Tubing

Load Range E Highway Tires

2" Axle Spindle
6,000 Lb. Hub

SPECIALLY DESIGNED DRUM BEARING REINFORCEMENT



13' 2" Transport Width for 3 Section Models
16' for 5 Section Models

3/4" Drum Roller Wall Thickness Available

Working Position 2" Pin with Hydraulic Field Lock

Hydraulic Steerable Wing Wheel with single or dual wheel option

Reinforced Corners

2 1/2" Pivot Pin

42" Diameter Drum 5/8" Wall Thickness

Mechanical Acre Counter

Some models capable of adding water to drum for added weight

3" Drum Shaft and HD Bearing

Ductile Cast Knuckle



Rolling after soybean emergence



SINGLE LANDROLLER (without Transport)

	Product	Description	Model	Drum Size	Net Setup*	Price
6'	LRS06101	6' Single Landroller	L650S	X3650 - 36" x 1/2" Drum (0.500")	\$ -	\$ 9,200.00
	LRS06201	6' Single Landroller	L650S	X4263 - 42" x 5/8" Drum (0.625")	\$ -	\$ 9,500.00
	LRS06301	6' Single Landroller	L650S	X4275 - 42" x 3/4" Drum (0.750")	\$ -	\$ 10,000.00
8'	LRS08101	8' Single Landroller	L850S	X3650 - 36" x 1/2" Drum (0.500")	\$ -	\$ 10,900.00
	LRS08201	8' Single Landroller	L850S	X4263 - 42" x 5/8" Drum (0.625")	\$ -	\$ 11,300.00
	LRS08301	8' Single Landroller	L850S	X4275 - 42" x 3/4" Drum (0.750")	\$ -	\$ 11,900.00
10'	LRS10101	10' Single Landroller	L1050S	X3650 - 36" x 1/2" Drum (0.500")	\$ -	\$ 12,800.00
	LRS10201	10' Single Landroller	L1050S	X4263 - 42" x 5/8" Drum (0.625")	\$ -	\$ 13,200.00
	LRS10301	10' Single Landroller	L1050S	X4275 - 42" x 3/4" Drum (0.750")	\$ -	\$ 13,800.00
12'	LRS12101	12' Single Landroller	L1250S	X3650 - 36" x 1/2" Drum (0.500")	\$ -	\$ 15,300.00
	LRS12201	12' Single Landroller	L1250S	X4263 - 42" x 5/8" Drum (0.625")	\$ -	\$ 15,700.00
	LRS12301	12' Single Landroller	L1250S	X4275 - 42" x 3/4" Drum (0.750")	\$ -	\$ 16,600.00
15'	LRS15101	15' Single Landroller	L1550S	X3650 - 36" x 1/2" Drum (0.500")	\$ -	\$ 17,500.00
	LRS15201	15' Single Landroller	L1550S	X4263 - 42" x 5/8" Drum (0.625")	\$ -	\$ 18,000.00
	LRS15301	15' Single Landroller	L1550S	X4275 - 42" x 3/4" Drum (0.750")	\$ -	\$ 19,000.00
20'	LRS20101	20' Single Landroller	L2050S	X3650 - 36" x 1/2" Drum (0.500")	\$ -	\$ 21,300.00
	LRS20201	20' Single Landroller	L2050S	X4263 - 42" x 5/8" Drum (0.625")	\$ -	\$ 22,000.00
	LRS20301	20' Single Landroller	L2050S	X4275 - 42" x 3/4" Drum (0.750")	\$ -	\$ 23,100.00
OPTIONS	AA001090	Clevis Hitch Insert			\$ -	\$ 80.00
	AA001089	Pintle Wedge Kit			\$ -	\$ 75.00
	AA001001	Mechanical Acre Counter for 36" Drum			\$ -	\$ 325.00
	AA001002	Mechanical Acre Counter for 42" Drum			\$ -	\$ 325.00
		<i>Select a Colour:</i>				
	Colour - B	Colour: BLACK				Included
	Colour - G	Colour: GREEN				Included

*All Setup Charges are Required

All prices subject to applicable steel surcharge and taxes



MINI LANDROLLER (with Transport)

	Product Description	Model	Drum Size	Net Setup*	Price
6'	LRM06101 6' Mini Landroller	L650M	X3650 - 36" x 1/2" Drum (0.500")	\$ 200.00	\$ 14,400.00
	LRM06201 6' Mini Landroller	L650M	X4263 - 42" x 5/8" Drum (0.625")	\$ 200.00	\$ 14,900.00
	LRM06301 6' Mini Landroller	L650M	X4275 - 42" x 3/4" Drum (0.750")	\$ 200.00	\$ 15,700.00
	AA005046 Mud Scraper Kit Option: 6' (36" Drum)			\$	700.00
	AA005044 Mud Scraper Kit Option: 6' (42" Drum)			\$	700.00
8'	LRM08101 8' Mini Landroller	L850M	X3650 - 36" x 1/2" Drum (0.500")	\$ 200.00	\$ 16,700.00
	LRM08201 8' Mini Landroller	L850M	X4263 - 42" x 5/8" Drum (0.625")	\$ 200.00	\$ 17,200.00
	LRM08301 8' Mini Landroller	L850M	X4275 - 42" x 3/4" Drum (0.750")	\$ 200.00	\$ 18,000.00
	AA005048 Mud Scraper Kit Option: 8' (36" Drum)			\$	850.00
	AA005045 Mud Scraper Kit Option: 8' (42" Drum)			\$	850.00
10'	LRM10101 10' Mini Landroller	L1050M	X3650 - 36" x 1/2" Drum (0.500")	\$ 200.00	\$ 20,300.00
	LRM10201 10' Mini Landroller	L1050M	X4263 - 42" x 5/8" Drum (0.625")	\$ 200.00	\$ 20,900.00
	LRM10301 10' Mini Landroller	L1050M	X4275 - 42" x 3/4" Drum (0.750")	\$ 200.00	\$ 22,100.00
	AA005014 Mud Scraper Kit Option: 10' (36" Drum)			\$	1,050.00
	AA005018 Mud Scraper Kit Option: 10' (42" Drum)			\$	1,050.00
12'	LRM12101 12' Mini Landroller	L1250M	X3650 - 36" x 1/2" Drum (0.500")	\$ 200.00	\$ 24,100.00
	LRM12201 12' Mini Landroller	L1250M	X4263 - 42" x 5/8" Drum (0.625")	\$ 200.00	\$ 24,900.00
	LRM12301 12' Mini Landroller	L1250M	X4275 - 42" x 3/4" Drum (0.750")	\$ 200.00	\$ 26,200.00
	AA005049 Mud Scraper Kit Option: 12' (36" Drum)			\$	1,200.00
	AA005047 Mud Scraper Kit Option: 12' (42" Drum)			\$	1,200.00
15'	LRM15101 15' Mini Landroller	L1550M	X3650 - 36" x 1/2" Drum (0.500")	\$ 200.00	\$ 27,700.00
	LRM15201 15' Mini Landroller	L1550M	X4263 - 42" x 5/8" Drum (0.625")	\$ 200.00	\$ 28,600.00
	LRM15301 15' Mini Landroller	L1550M	X4275 - 42" x 3/4" Drum (0.750")	\$ 200.00	\$ 30,100.00
	AA005016 Mud Scraper Kit Option: 15' (36" Drum)			\$	1,475.00
	AA005020 Mud Scraper Kit Option: 15' (42" Drum)			\$	1,475.00
20'	LRM20101 20' Mini Landroller	L2050M	X3650 - 36" x 1/2" Drum (0.500")	\$ 200.00	\$ 33,700.00
	LRM20201 20' Mini Landroller	L2050M	X4263 - 42" x 5/8" Drum (0.625")	\$ 200.00	\$ 34,800.00
	LRM20301 20' Mini Landroller	L2050M	X4275 - 42" x 3/4" Drum (0.750")	\$ 200.00	\$ 36,800.00
	AA005017 Mud Scraper Kit Option: 20' (36" Drum)			\$	1,900.00
	AA005021 Mud Scraper Kit Option: 20' (42" Drum)			\$	1,900.00
OPTIONS	AA001090 Clevis Hitch Insert			\$ -	\$ 80.00
	AA001089 Pintle Wedge Kit			\$ -	\$ 75.00
	AA001001 Mechanical Acre Counter for 36" Drum			\$ -	\$ 325.00
	AA001002 Mechanical Acre Counter for 42" Drum			\$ -	\$ 325.00
	KU100002 Mini Landroller Dual Wheel Upgrade Kit (applicable for units under 10')			\$ -	\$ 1,800.00
	KU100005 Mini Landroller HD Wheel Lift Cylinder Upgrade (5" x 12" cylinders)			\$ -	\$ 865.00
	Select a Colour:				
	Colour - B	Colour: BLACK			
Colour - G	Colour: GREEN				Included

*All Setup Charges are Required

All prices subject to applicable steel surcharge and taxes





INLINE LANDROLLER

	Product	Description	Model	Drum Size	Net Setup*		Price
10'	LRI10101	10' Inline Landroller	L1050I	X3650 - 36" x 1/2" Drum (0.500")	\$ 300.00	\$	28,000.00
	LRI10201	10' Inline Landroller	L1050I	X4263 - 42" x 5/8" Drum (0.625")	\$ 300.00	\$	29,000.00
	LRI10301	10' Inline Landroller	L1050I	X4275 - 42" x 3/4" Drum (0.750")	\$ 300.00	\$	30,500.00
	AA005014	Mud Scraper Kit Option: 10' (36" Drum)			\$ -	\$	1,050.00
	AA005018	Mud Scraper Kit Option: 10' (42" Drum)			\$ -	\$	1,050.00
13'	LRI13101	13' Inline Landroller	L1350I	X3650 - 36" x 1/2" Drum (0.500")	\$ 300.00	\$	31,000.00
	LRI13201	13' Inline Landroller	L1350I	X4263 - 42" x 5/8" Drum (0.625")	\$ 300.00	\$	32,100.00
	LRI13301	13' Inline Landroller	L1350I	X4275 - 42" x 3/4" Drum (0.750")	\$ 300.00	\$	33,800.00
	AA005015	Mud Scraper Kit Option: 13' (36" Drum)			\$ -	\$	1,305.00
	AA005019	Mud Scraper Kit Option: 13' (42" Drum)			\$ -	\$	1,305.00
15'	LRI15101	15' Inline Landroller	L1550I	X3650 - 36" x 1/2" Drum (0.500")	\$ 300.00	\$	33,000.00
	LRI15201	15' Inline Landroller	L1550I	X4263 - 42" x 5/8" Drum (0.625")	\$ 300.00	\$	34,100.00
	LRI15301	15' Inline Landroller	L1550I	X4275 - 42" x 3/4" Drum (0.750")	\$ 300.00	\$	35,900.00
	AA005016	Mud Scraper Kit Option: 15' (36" Drum)			\$ -	\$	1,475.00
	AA005020	Mud Scraper Kit Option: 15' (42" Drum)			\$ -	\$	1,475.00
20'	LRI20101	20' Inline Landroller	L2050I	X3650 - 36" x 1/2" Drum (0.500")	\$ 300.00	\$	38,100.00
	LRI20201	20' Inline Landroller	L2050I	X4263 - 42" x 5/8" Drum (0.625")	\$ 300.00	\$	39,400.00
	LRI20301	20' Inline Landroller	L2050I	X4275 - 42" x 3/4" Drum (0.750")	\$ 300.00	\$	41,500.00
	AA005017	Mud Scraper Kit Option: 20' (36" Drum)			\$ -	\$	1,900.00
	AA005021	Mud Scraper Kit Option: 20' (42" Drum)			\$ -	\$	1,900.00
OPTIONS	AA001090	Clevis Hitch Insert			\$ -	\$	80.00
	AA001089	Pintle Wedge Kit			\$ -	\$	75.00
	AA001001	Mechanical Acre Counter for 36" Drum			\$ -	\$	325.00
	AA001002	Mechanical Acre Counter for 42" Drum			\$ -	\$	325.00
		Select a Colour:					
	Colour - B	Colour: BLACK					Included
	Colour - G	Colour: GREEN					Included

*All Setup Charges are Required

All prices subject to applicable steel surcharge and taxes





3-PLEX LANDROLLER

	Product	Description	Model	Drum Size	Net Setup*		Price
30'	LR330101	30' 3-Plex Landroller	L3060	X3650 - 36" x 1/2" Drum (0.500")	\$ 900.00	\$	68,400.00
	LR330201	30' 3-Plex Landroller	L3060	X4263 - 42" x 5/8" Drum (0.625")	\$ 900.00	\$	70,800.00
	LR330301	30' 3-Plex Landroller	L3060	X4275 - 42" x 3/4" Drum (0.750")	\$ 900.00	\$	74,600.00
	AA005022	Mud Scraper Kit Option: 30' (36" Drum)			\$ -	\$	2,935.00
	AA005001	Mud Scraper Kit Option: 30' (42" Drum)			\$ -	\$	2,935.00
34'	LR334101	34' 3-Plex Landroller	L3460	X3650 - 36" x 1/2" Drum (0.500")	\$ 900.00	\$	70,900.00
	LR334201	34' 3-Plex Landroller	L3460	X4263 - 42" x 5/8" Drum (0.625")	\$ 900.00	\$	73,200.00
	LR334301	34' 3-Plex Landroller	L3460	X4275 - 42" x 3/4" Drum (0.750")	\$ 900.00	\$	77,300.00
	AA005023	Mud Scraper Kit Option: 34' (36" Drum)			\$ -	\$	3,540.00
	AA005002	Mud Scraper Kit Option: 34' (42" Drum)			\$ -	\$	3,540.00
40'	LR340101	40' 3-Plex Landroller	L4060	X3650 - 36" x 1/2" Drum (0.500")	\$ 900.00	\$	81,000.00
	LR340201	40' 3-Plex Landroller	L4060	X4263 - 42" x 5/8" Drum (0.625")	\$ 900.00	\$	83,700.00
	LR340301	40' 3-Plex Landroller	L4060	X4275 - 42" x 3/4" Drum (0.750")	\$ 900.00	\$	88,200.00
	AA005024	Mud Scraper Kit Option: 40' (36" Drum)			\$ -	\$	3,640.00
	AA005003	Mud Scraper Kit Option: 40' (42" Drum)			\$ -	\$	3,640.00
42'	LR342101	42' 3-Plex Landroller	L4260	X3650 - 36" x 1/2" Drum (0.500")	\$ 900.00	\$	82,400.00
	LR342201	42' 3-Plex Landroller	L4260	X4263 - 42" x 5/8" Drum (0.625")	\$ 900.00	\$	85,200.00
	LR342301	42' 3-Plex Landroller	L4260	X4275 - 42" x 3/4" Drum (0.750")	\$ 900.00	\$	89,800.00
	AA005025	Mud Scraper Kit Option: 42' (36" Drum)			\$ -	\$	4,220.00
	AA005004	Mud Scraper Kit Option: 42' (42" Drum)			\$ -	\$	4,220.00
45'	LR345101	45' 3-Plex Landroller	L4560	X3650 - 36" x 1/2" Drum (0.500")	\$ 900.00	\$	84,500.00
	LR345201	45' 3-Plex Landroller	L4560	X4263 - 42" x 5/8" Drum (0.625")	\$ 900.00	\$	87,300.00
	LR345301	45' 3-Plex Landroller	L4560	X4275 - 42" x 3/4" Drum (0.750")	\$ 900.00	\$	92,000.00
	AA005026	Mud Scraper Kit Option: 45' (36" Drum)			\$ -	\$	4,280.00
	AA005005	Mud Scraper Kit Option: 45' (42" Drum)			\$ -	\$	4,280.00
50'	LR350101	50' 3-Plex Landroller	L5060	X3650 - 36" x 1/2" Drum (0.500")	\$ 900.00	\$	87,600.00
	LR350201	50' 3-Plex Landroller	L5060	X4263 - 42" x 5/8" Drum (0.625")	\$ 900.00	\$	90,600.00
	LR350301	50' 3-Plex Landroller	L5060	X4275 - 42" x 3/4" Drum (0.750")	\$ 900.00	\$	95,500.00
	AA005027	Mud Scraper Kit Option: 50' (36" Drum)			\$ -	\$	4,895.00
	AA005006	Mud Scraper Kit Option: 50' (42" Drum)			\$ -	\$	4,895.00

*All Setup Charges are Required

All prices subject to applicable steel surcharge and taxes



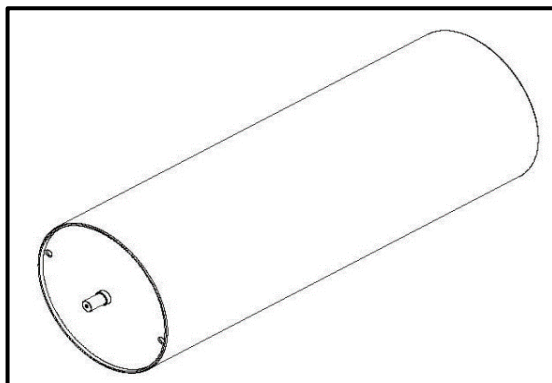


3-PLEX LANDROLLER CONT'D

	Product Description	Model	Drum Size	Net Setup*	Price
60'	LR360101 60' 3-Plex Landroller	L6050	X3650 - 36" x 1/2" Drum (0.500")	\$ 900.00	\$ 106,000.00
	LR360201 60' 3-Plex Landroller	L6050	X4263 - 42" x 5/8" Drum (0.625")	\$ 900.00	\$ 109,500.00
	AA005034 Mud Scraper Kit Option: 60' (36" Drum)			\$ -	\$ 5,880.00
	AA005042 Mud Scraper Kit Option: 60' (42" Drum)			\$ -	\$ 5,880.00
61'	LR361101 61' 3-Plex Landroller	L6150	X3650 - 36" x 1/2" Drum (0.500")	\$ 900.00	\$ 106,700.00
	LR361201 61' 3-Plex Landroller	L6150	X4263 - 42" x 5/8" Drum (0.625")	\$ 900.00	\$ 110,300.00
	AA005035 Mud Scraper Kit Option: 61' (36" Drum)			\$ -	\$ 5,980.00
	AA005043 Mud Scraper Kit Option: 61' (42" Drum)			\$ -	\$ 5,980.00
OPTIONS	AA001090 Clevis Hitch Insert			\$ -	\$ 80.00
	AA001089 Pintle Wedge Kit			\$ -	\$ 75.00
	AA006000 Pintle Hitch Kit: Category 5			\$ -	\$ 625.00
	AA001001 Mechanical Acre Counter for 36" Drum			\$ -	\$ 325.00
	AA001002 Mechanical Acre Counter for 42" Drum			\$ -	\$ 325.00
	KU100020 Implement Tire Upgrade ST235/80R16-14ply (30'-50' Only)			\$ -	\$ 2,000.00
KU100006 Implement Tire Upgrade (IF280/70R15)			\$ -	\$ 4,500.00	
	<i>Select a Colour:</i>				
Colour - B	Colour: BLACK				Included
Colour - G	Colour: GREEN				Included

***All Setup Charges are Required**

****All prices subject to applicable steel surcharge and taxes****



Smooth Drum

X-Style Drum (Smooth)

X3650 - 36" x 1/2" wall

X4263 - 42" x 5/8" wall

X4275 - 42" x 3/4" wall





5-PLEX LANDROLLER

	Product Description	Model	Drum Size	Net Setup*	Price
62'	LR562201 62' 5-Plex Landroller	L6260	X4263 - 42" x 5/8" Drum (0.625")	\$ 1,700.00	\$ 128,200.00
	AA005007 <i>Mud Scraper Kit Option: 62'</i>			\$ -	\$ 5,705.00
65'	LR565201 65' 5-Plex Landroller	L6560	X4263 - 42" x 5/8" Drum (0.625")	\$ 1,700.00	\$ 130,200.00
	AA005008 <i>Mud Scraper Kit Option: 65'</i>			\$ -	\$ 6,315.00
70'	LR570201 70' 5-Plex Landroller	L7060	X4263 - 42" x 5/8" Drum (0.625")	\$ 1,700.00	\$ 136,300.00
	AA005009 <i>Mud Scraper Kit Option: 70'</i>			\$ -	\$ 6,375.00
75'	LR575201 75' 5-Plex Landroller	L7560	X4263 - 42" x 5/8" Drum (0.625")	\$ 1,700.00	\$ 141,800.00
	AA005010 <i>Mud Scraper Kit Option: 75'</i>			\$ -	\$ 7,040.00
80'	LR580201 80' 5-Plex Landroller	L8060	X4263 - 42" x 5/8" Drum (0.625")	\$ 1,700.00	\$ 147,300.00
	AA005011 <i>Mud Scraper Kit Option: 80'</i>			\$ -	\$ 7,075.00
85'	LR585201 85' 5-Plex Landroller	L8560	X4263 - 42" x 5/8" Drum (0.625")	\$ 1,700.00	\$ 152,800.00
	AA005012 <i>Mud Scraper Kit Option: 85'</i>			\$ -	\$ 7,105.00
OPTIONS	AA001002 Mechanical Acre Counter for 42" Drum			\$ -	\$ 325.00
	AA006000 Pintle Hitch Kit: Category 5			\$ -	\$ 625.00
	KU100021 Implement Tire Upgrade (ST235/80R16-14ply): 5-Plex			\$ -	\$ 4,000.00
	KU100019 Implement Tire Upgrade (IF280/70R15): 5-Plex			\$ -	\$ 9,000.00
	<i>Select a Colour:</i>				
	Colour - B Colour: BLACK				Included
	Colour - G Colour: GREEN				Included

*All Setup Charges are Required

All prices subject to applicable steel surcharge and taxes





All prices in USD

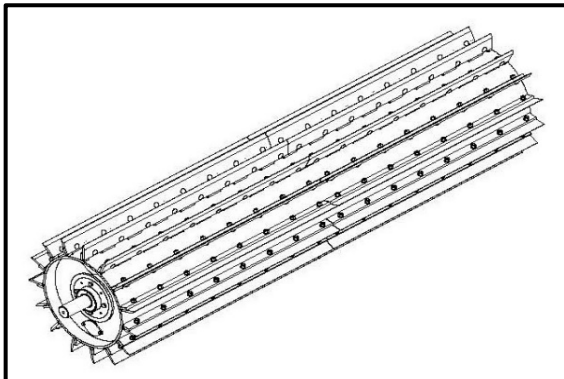
STUBBLE CRUNCHER

	Product Description	Model	Drum Size	Net Setup*	Price
15'	LR115901 15' Inline Stubble Cruncher	L1550I	SB24B - 24" x 1/2" Drum (0.500")	\$ 300.00	\$ 40,800.00
20'	LR120901 20' Inline Stubble Cruncher	L2050I	SB24B - 24" x 1/2" Drum (0.500")	\$ 300.00	\$ 53,600.00
40'	LR340901 40' 3-Plex Stubble Cruncher	L4060	SB24B - 24" x 1/2" Drum (0.500")	\$ 900.00	\$ 102,800.00
42'	LR342901 42' 3-Plex Stubble Cruncher	L4260	SB24B - 24" x 1/2" Drum (0.500")	\$ 900.00	\$ 106,100.00
OPTIONS	AA001090 Clevis Hitch Insert			\$ -	\$ 80.00
	KU100020 Implement Tire Upgrade ST235/80R16-14ply (3-Plex Only)			\$ -	\$ 2,000.00
	AA001005 Mechanical Acre Counter for 32" Drum			\$ -	\$ 325.00
	<i>Select a Colour:</i>				
	Colour - B Colour: BLACK				
Colour - G Colour: GREEN					Included

***All Setup Charges are Required**

****All prices subject to applicable steel surcharge and taxes****

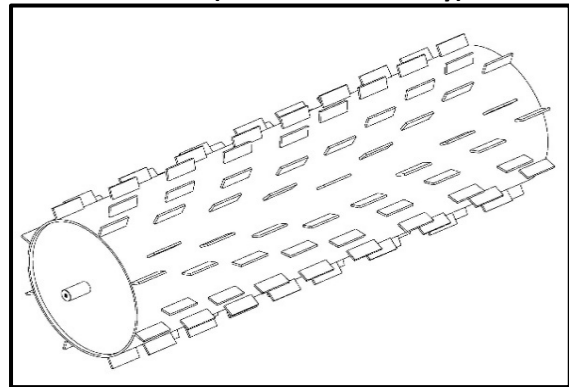
Straight Blade



SB-Style Drum (Straight Blade)

SB24B - 24" x 1/2" wall, Bolt-On, Bevelled

Rice Drum (Custom Order Only)



RS-Style Drum (Rice Stubble)

RS36A - 36" x 1/2" wall, Welded



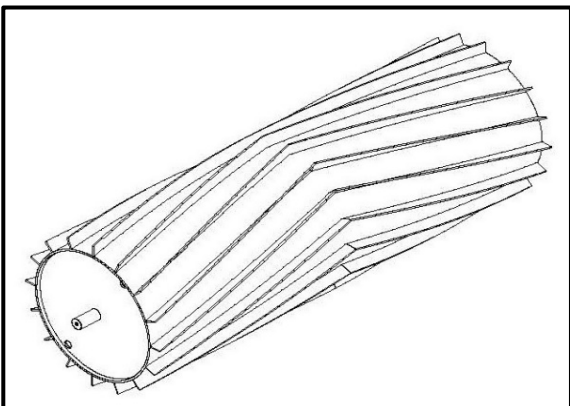
COVER CROP CRIMPER

	Product Description	Model	Drum Size	Net Setup*	Price
WELD-ON	LRI15801 15' Inline CC Crimper	L1550I	CB36A - 36" x 1/2" Drum (0.500")	\$ 300.00	\$ 39,500.00
	LRI20801 20' Inline CC Crimper	L2050I	CB36A - 36" x 1/2" Drum (0.500")	\$ 300.00	\$ 51,900.00
	LR330801 30' 3-Plex CC Crimper	L3060	CB36A - 36" x 1/2" Drum (0.500")	\$ 900.00	\$ 78,700.00
	LR332801 32' 3-Plex CC Crimper	L3260	CB36A - 36" x 1/2" Drum (0.500")	\$ 900.00	\$ 83,700.00
	LR334801 34' 3-Plex CC Crimper	L3460	CB36A - 36" x 1/2" Drum (0.500")	\$ 900.00	\$ 86,700.00
	LR340801 40' 3-Plex CC Crimper	L4060	CB36A - 36" x 1/2" Drum (0.500")	\$ 900.00	\$ 99,100.00
BOLT-ON	LRI16601 16' Inline CC Crimper	L1650I	CB36B - 36" x 1/2" Drum (0.500")	\$ 300.00	\$ 45,800.00
	LRI20601 20' Inline CC Crimper	L2050I	CB36B - 36" x 1/2" Drum (0.500")	\$ 300.00	\$ 57,500.00
	LR334601 34' 3-Plex CC Crimper	L3460	CB36B - 36" x 1/2" Drum (0.500")	\$ 900.00	\$ 96,100.00
	LR342601 42' 3-Plex CC Crimper	L4260	CB36B - 36" x 1/2" Drum (0.500")	\$ 900.00	\$ 114,100.00
OPTIONS	AA001090 Clevis Hitch Insert			\$ -	\$ 80.00
	AA001002 Mechanical Acre Counter for 42" Drum			\$ -	\$ 325.00
	KU100020 Implement Tire Upgrade ST235/80R16-14ply (3-Plex Only)			\$ -	\$ 2,000.00
	KU100006 Implement Tire Upgrade IF280/70R15 (3-Plex Only)			\$ -	\$ 4,500.00
	<i>Select a Colour:</i>				
Colour - B	Colour: BLACK				Included
Colour - G	Colour: GREEN				Included

***All Setup Charges are Required**

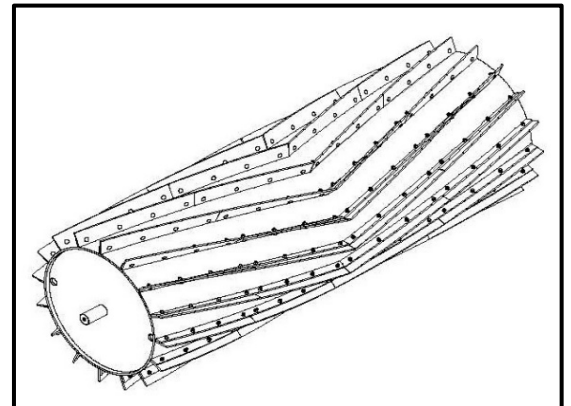
****All prices subject to applicable steel surcharge and taxes****

Curved Blade (Weld On)



CB-Style Drum (Curved Blade)
CB36A - 36" x 1/2" wall, Welded

Curved Blade (Weld On)



CB-Style Drum (Curved Blade)
CB36B - 36" x 1/2" wall, Bolt-On, Non-Bevelled





REDDI-ARM

	Product Description	Net Setup	Price
Base	RA028101 REDDI-ARM w-1000 PTO	\$ -	\$ 45,900.00
	WC007013 Draw Bar Rear Hitch (Required)	\$ -	\$ 300.00
OPTIONS	<i>Select one:</i>		
	1000 PTO with 1-3/8" yoke		Included
	1000 PTO with 1-3/4" yoke		Included
	<i>Select one:</i>		
	Standard Tire (320/70R15 on 8-Bolt)		Included
	Upgrade Tire (440/55R18 on 10-bolt)	\$ 3,100.00	
	<i>Select one:</i>		
	KH700001 Four-Set Tractor Outlet Kit	\$ 725.00	
	KH700002 Selector Valve Kit	\$ 1,875.00	
	AC007004 Drawbar Adapter (3PT to Drawbar)	\$ 2,050.00	
	AA007001 Perfect Hitch: Schulte/Rhino	\$ 700.00	
AA007002 Truck Tow Hitch	\$ 800.00		
Colour - B Colour: BLACK		Included	

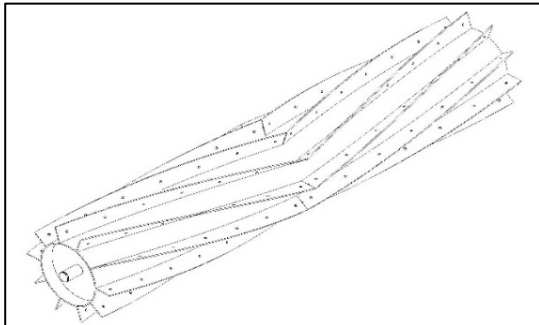
****All prices subject to applicable steel surcharge and taxes****



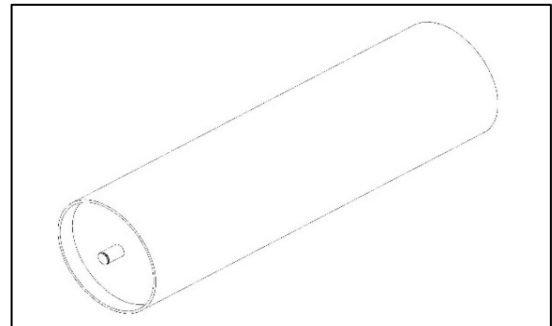
REDDI-LYNX 3-PT ROLLER

	Product Description	Model	Drum Size	Net Setup	Price
6'	LRB06D01 6' Reddi-Lynx 3-PT Crimper Roller	B72A	CB16A - 16" x 1/4" Drum (0.25")	\$ -	\$ 6,700.00
	LRB06E01 6' Reddi-Lynx 3-PT Smooth Roller	B72A	X2450 - 24" x 1/2" Drum (0.5")		\$ 6,100.00
	KG600000 Crimper Drum Replacement Blade Kit Option: 6' Reddi-Lynx*				\$ 2,600.00
8'	LRB08D01 8' Reddi-Lynx 3-PT Crimper Roller	B96A	CB16A - 16" x 1/4" Drum (0.25")	\$ -	\$ 7,500.00
	LRB08E01 8' Reddi-Lynx 3-PT Smooth Roller	B96A	X2450 - 24" x 1/2" Drum (0.5")		\$ 6,800.00
	KG600001 Crimper Drum Replacement Blade Kit Option: 8' Reddi-Lynx*				\$ 2,900.00
10'	LRB10D01 10' Reddi-Lynx 3-PT Crimper Roller	B120A	CB16A - 16" x 1/4" Drum (0.25")	\$ -	\$ 8,400.00
	LRB10E01 10' Reddi-Lynx 3-PT Smooth Roller	B120A	X2450 - 24" x 1/2" Drum (0.5")		\$ 7,300.00
	KG600002 Crimper Drum Replacement Blade Kit Option: 10' Reddi-Lynx*				\$ 3,150.00
12'	LRB12D01 12' Reddi-Lynx 3-PT Crimper Roller	B144A	CB16A - 16" x 1/4" Drum (0.25")	\$ -	\$ 9,500.00
	LRB12E01 12' Reddi-Lynx 3-PT Smooth Roller	B144A	X2450 - 24" x 1/2" Drum (0.5")		\$ 8,500.00
	KG600003 Crimper Drum Replacement Blade Kit Option: 12' Reddi-Lynx*				\$ 3,450.00
15'	LRB15D01 15' Reddi-Lynx 3-PT Crimper Roller	B180A	CB16A - 16" x 1/4" Drum (0.25")	\$ -	\$ 12,000.00
	LRB15E01 15' Reddi-Lynx 3-PT Smooth Roller	B180A	X2450 - 24" x 1/2" Drum (0.5")		\$ 9,800.00
	KG600004 Crimper Drum Replacement Blade Kit Option: 15' Reddi-Lynx*				\$ 4,150.00
*Please note replacement blades are not installed					
<i>Select a Colour</i>					
Colour - B	Colour: BLACK				Included
Colour - G	Colour: GREEN				Included

Please note Exchange Discount does not apply.



CB-Style Drum (Curved Blade) CB16A - 16" x 1/4" Wall



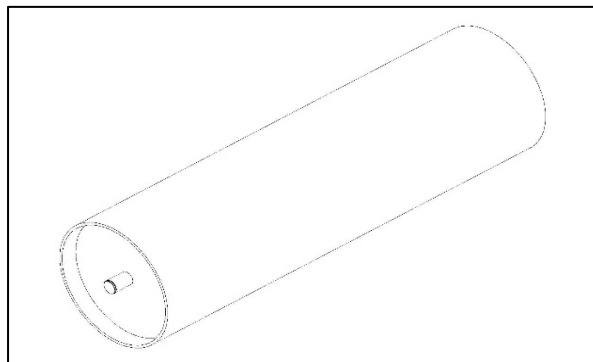
X-Style Drum (Smooth) X2450 - 24" x 1/2" Wall



REDDI-PANDA SS ROLLER

	Product Description	Model	Drum Size	Net Setup	Price
4'	LRD04E01 4' Reddi-Panda SS Roller	D48A	X2450 - 24" x 1/2" Drum (0.5")	\$ -	\$ 4,300.00
5.5'	LRD05E01 5.5' Reddi-Panda SS Roller	D66A	X2450 - 24" x 1/2" Drum (0.5")	\$ -	\$ 4,600.00
6'	LRD06E01 6' Reddi-Panda SS Roller	D72A	X2450 - 24" x 1/2" Drum (0.5")	\$ -	\$ 4,800.00
7'	LRD07E01 7' Reddi-Panda SS Roller	D84A	X2450 - 24" x 1/2" Drum (0.5")	\$ -	\$ 5,600.00
8'	LRD08E01 8' Reddi-Panda SS Roller	D96A	X2450 - 24" x 1/2" Drum (0.5")	\$ -	\$ 6,200.00
<i>Select a Colour</i>					
Colour - B	Colour: BLACK				Included
Colour - G	Colour: GREEN				Included

****All prices subject to applicable steel surcharge and taxes****



X-Style Drum (Smooth) X2450 - 24" x 1/2" Wall

