

J600

English version

EDITION - 04/2016

CODE - 0

Parts catalog



M QUINAS AGR COLAS JACTO S.A.

Rua Dr. Luiz Miranda, 1650

17580-000 - Pompia - SP - Brasil

Tel.: +55 14 3405-2100 - Fax: +55 14 3452 1306

[E-mail: export@jacto.com.br](mailto:export@jacto.com.br)

Home page: <http://www.jacto.com.br>

J-600

EQUIPMENT	PAGE
J600.....	4

J600
(Edition: 2016/04)

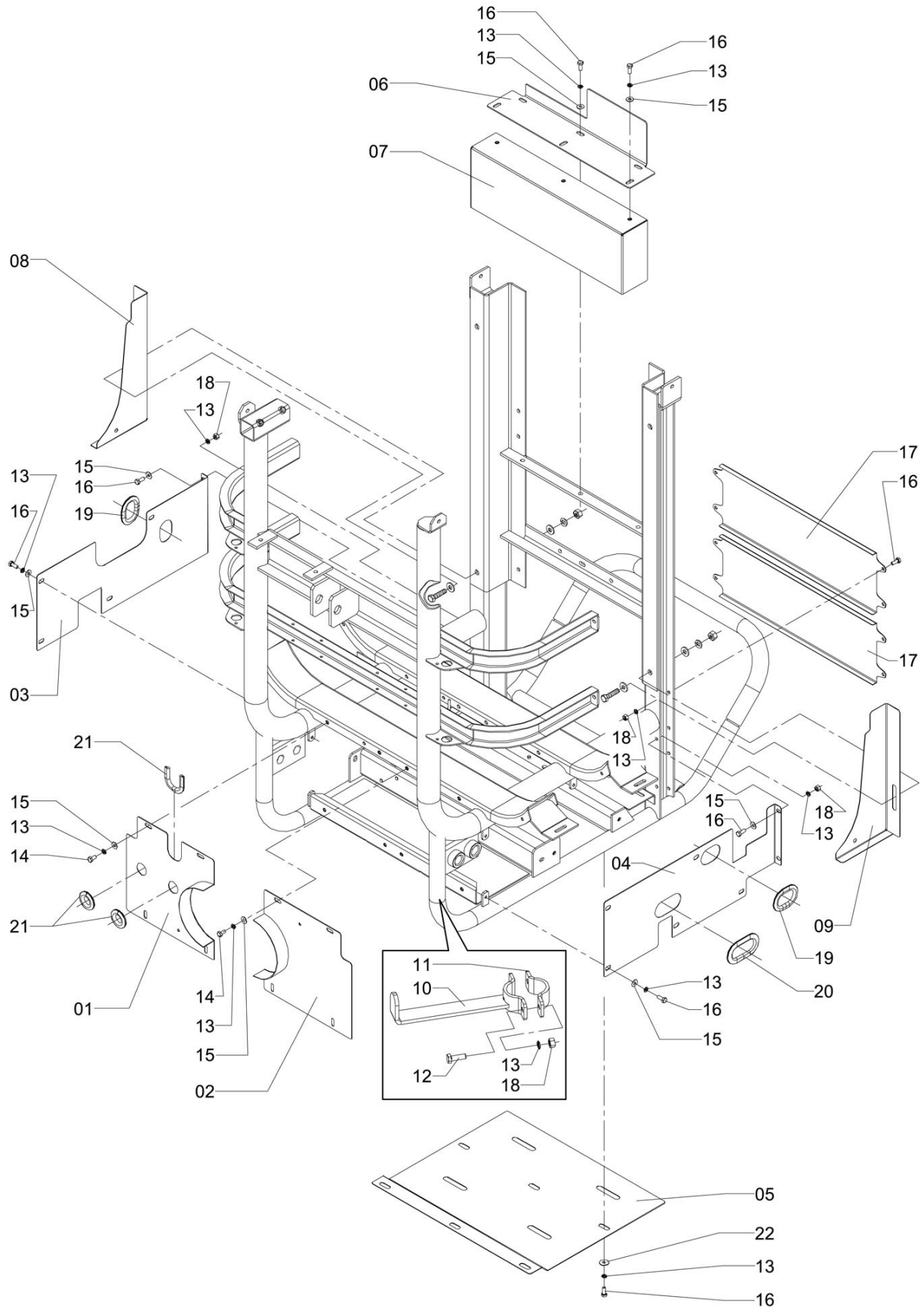
ENTIRE ASSEMBLIES	PAGE
ACCESSORIES BOX	
ACCESSORIES BOX (JS-600 EL)	95
ACCESSORIES BOX	99
ASSEMBLY - COMBINATION WRENCH + SCREW WRENCH (FOR EXPORT)	96
FILLING HOSE	98
FILTERING VALVE ASSEMBLY	97
JEC-2500 COMPUTER	40
CHASSIS AND COMPLEMENTS	
CHASSIS AND COMPLEMENTS	10
CHASSIS AND COMPLEMENTS (ELECTRIC CONTROL)	8
PROTECTION ASSEMBLY	6
CHEMICAL CIRCUIT AND COMPLEMENTS	
100-LITER SUCTION FILTER WITH VALVE	71
15-LITER TANK ASSEMBLY	57
3-WAY REGULATING VALVE	67
ASSEMBLY: 15-LITER TANK AND SUPPORT	58
CENTRIFUGAL PUMP BC-1143 (DUAL STAGE - SERIES 4)	68
CENTRIFUGAL PUMP WITH 3-WAY VALVE	69
CHEMICAL CIRCUIT	28
CHEMICAL CIRCUIT - ELECTRIC	34
CHEMICAL CONTAINER RINSE NOZZLE	74
CHEMICAL CONTAINER RINSE NOZZLE NO.4	75
CHEMICAL CONTAINER RINSE NOZZLE ROD	73
CONTACT DISC	76
CONTROL BRANCH - ASSEMBLY	82
COVER ASSEMBLY - QUICK RELIEF MOTOR	80
DIRECTIONAL VALVE	72
ELECTRIC CONTROL AND COMPLEMENTS	85
ELECTRIC CONTROL VALVE	83
ELECTRICAL CONTROL - MASTERFLOW	32
FLOW RATE REGULATING VALVE	59
GEAR CASE COVER ASSEMBLY	79
GEAR CASE SHAFT	78
GEAR CASE WITH BUSHING	77
HOSE - CONTROL/TANK	88
HOSE - CONTROL/TANK	61
HOSE - FILTER / PUMP	66
HOSE - FILTER/TANK	62
HOSE - PUMP/CONTROL	86
HOSE - PUMP/CONTROL	26
HOSE ASSEMBLY (AGITATOR 1/4" X 340)	65
LEVEL INDICATOR 5	70
LID WITH BREATHER	84
MECHANICAL AGITATOR N. 8	63
MECHANICAL AGITATOR NO. 3	64
QUICK RELIEF	81
QUICK RELIEF REDUCTION BOX AND BRANCHES	30
RETURN HOSE - 1" X 1300MM	60
RETURN HOSE - 1" X 700	87
HYDRAULIC CIRCUIT AND COMPLEMENTS	
DIRECTIONAL CONTRL WITH NIPPLE	93
DUCT ACTUATION CIRCUIT	36
DUCT ACTUATION CIRCUIT	91
DUCT ACTUATION CIRCUIT	38
DUCT ACTUATION CIRCUIT (CHT)	94
ELECTRICAL HYDRAULIC CONTROL WITH NIPPLE	90
HYDRAULIC CONTROL - ELECTRIC OPERATION	89
HYDRAULIC OIL RESERVOIR (4 LITERS)	92
OPTIONAL ITEMS	
2000 EXTENSION KIT FOR "JS-600"	46

J600
(Edition: 2016/04)

Continuation

ENTIRE ASSEMBLIES	PAGE
SPRAY APPLICATION ASSEMBLY	
APPLICATION ASSEMBLY	24
APPLICATION ASSEMBLY (WITH EXTENSION)	22
DUCT ASSEMBLY	18
DUCT ASSEMBLY - CHT	16
FAN BOX ASSEMBLY	20
HOSE ASSEMBLY (AGITATOR 1/4" X 340)	55
HYDRAULIC CYLINDER WITH NIPPLE - 160	50
HYDRAULIC CYLINDER WITH NIPPLE - 160	51
HYDRAULIC CYLINDER WITH NIPPLES - 32 X 100	56
LOWER OUTLET HOSE	52
OUTLET DUCT	54
OUTLET DUCT HOSE	53
VERTICAL DUCT ASSEMBLY	14
VERTICAL DUCT ASSEMBLY (CHT)	12
STICKERS	
STICKER (BE CAREFUL WHEN OPENING THE TANK LID)	110
STICKER (HAZARDOUS SUBSTANCES)	105
STICKER: (J600- RIGHT)	109
STICKERS: (J600 - LEFT)	108
STICKERS: (J600)	48
STICKERS: (J600-LEFT)	106
STICKERS: (J600-RIGHT)	107
TRANSMISSION AND COMPLEMENTS	
DRIVE TRANSMISSION AND COMPLEMENTS	44
FAN	103
FAN BEARING ASSEMBLY - J600	102
FAN HOUSING COVER	101
GROOVED HUB WITH HITCH	100
MULTIPLIER ASSEMBLY WITH PULLEYS	42
TIGHTENING PULLEY ASSEMBLY 78-1A (SHAFT 15 X 50,5)	104

PROTECTION ASSEMBLY



C3P-115

Controlled copy – Distribution and reproduction prohibited

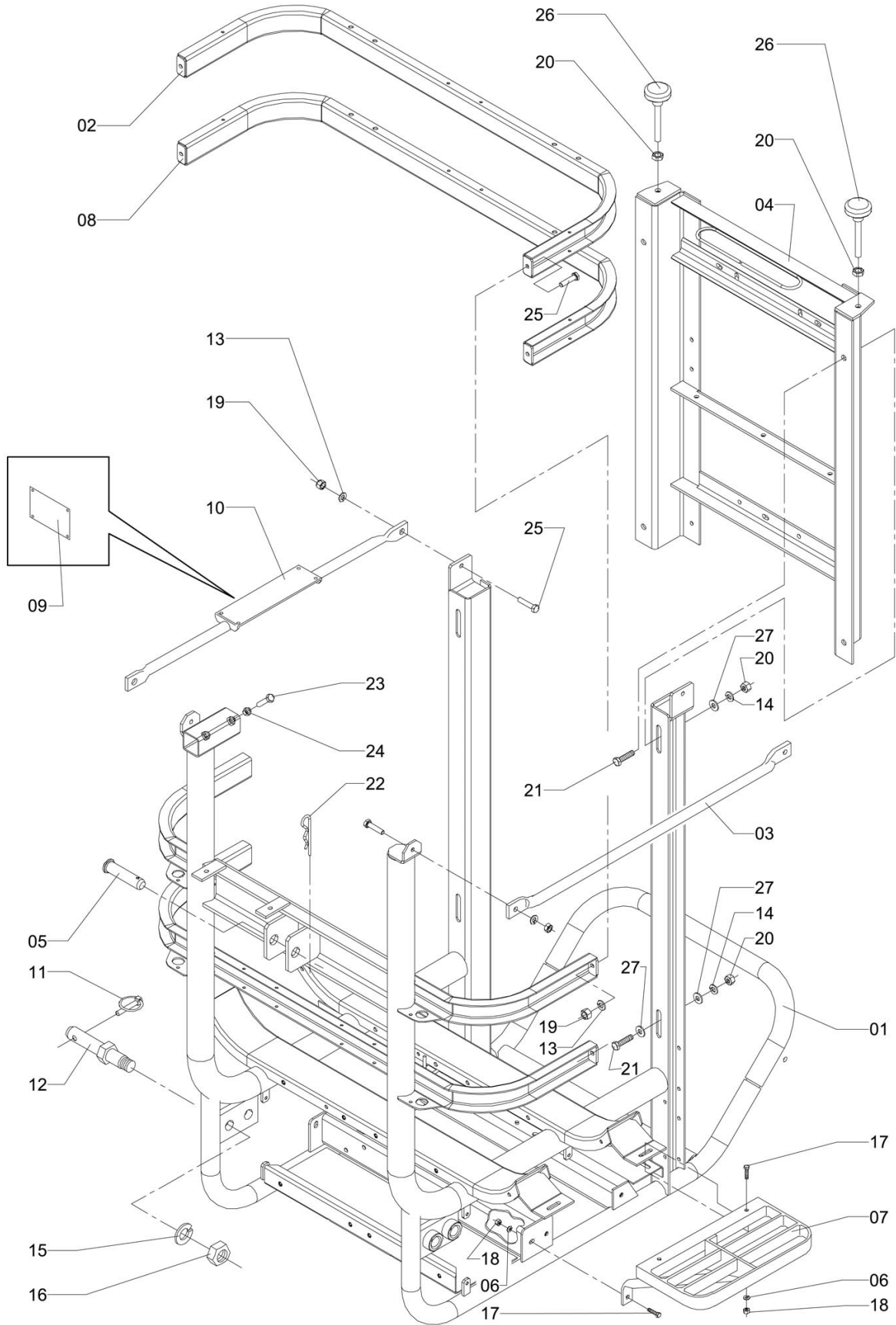
PROTECTION ASSEMBLY

Continuation

Item	CODE	DESCRIPTION	Qty.	Item	CODE	DESCRIPTION	Qty.
00	1177800	Protection assembly	1				
01	1177470	Shaft right protection	1				
02	1177475	Shaft left protection	1				
03	1177476	Right lateral protection	1				
04	1177477	Left lateral protection	1				
05	1177482	Lower protection	1				
06	1177483	Fastening plate body	1				
07	1177486	Transmission protection assembly	1				
08	1177489	Chassis right lateral protection	1				
09	1177491	Chassis left lateral protection	1				
10	1176044	PTO shaft support	1				
11	288910	Semiclamp for tubes 42.4	1				
12	829382	Hex head bolt M8 x 25 x 1.25	2				
13	519736	Lock washer	43				
14	829341	Hex. head bolt M8 x 16 x 1.25	8				
15	881276	Flat washer 8.7 x 20 x 1.2 - stainless steel	27				
16	829374	Hex. head bolt M8 x 20 x 1.25 -cl 8.8	33				
17	1177479	Rear protection body	2				
18	810770	Hex. nut M-8 x 1.25	14				
19	695262	Rubber profile 200	2				
20	1160584	Rubber Profile 250	1				
21	1176735	Protection gasket - 140mm	3				
22	733253	Flat washer 8.2 X 25.4 X 1.5 steel	6				

Controlled copy – Distribution and reproduction prohibited

CHASSIS AND COMPLEMENTS (ELECTRIC CONTROL)



C3P-117

Controlled copy – Distribution and reproduction prohibited

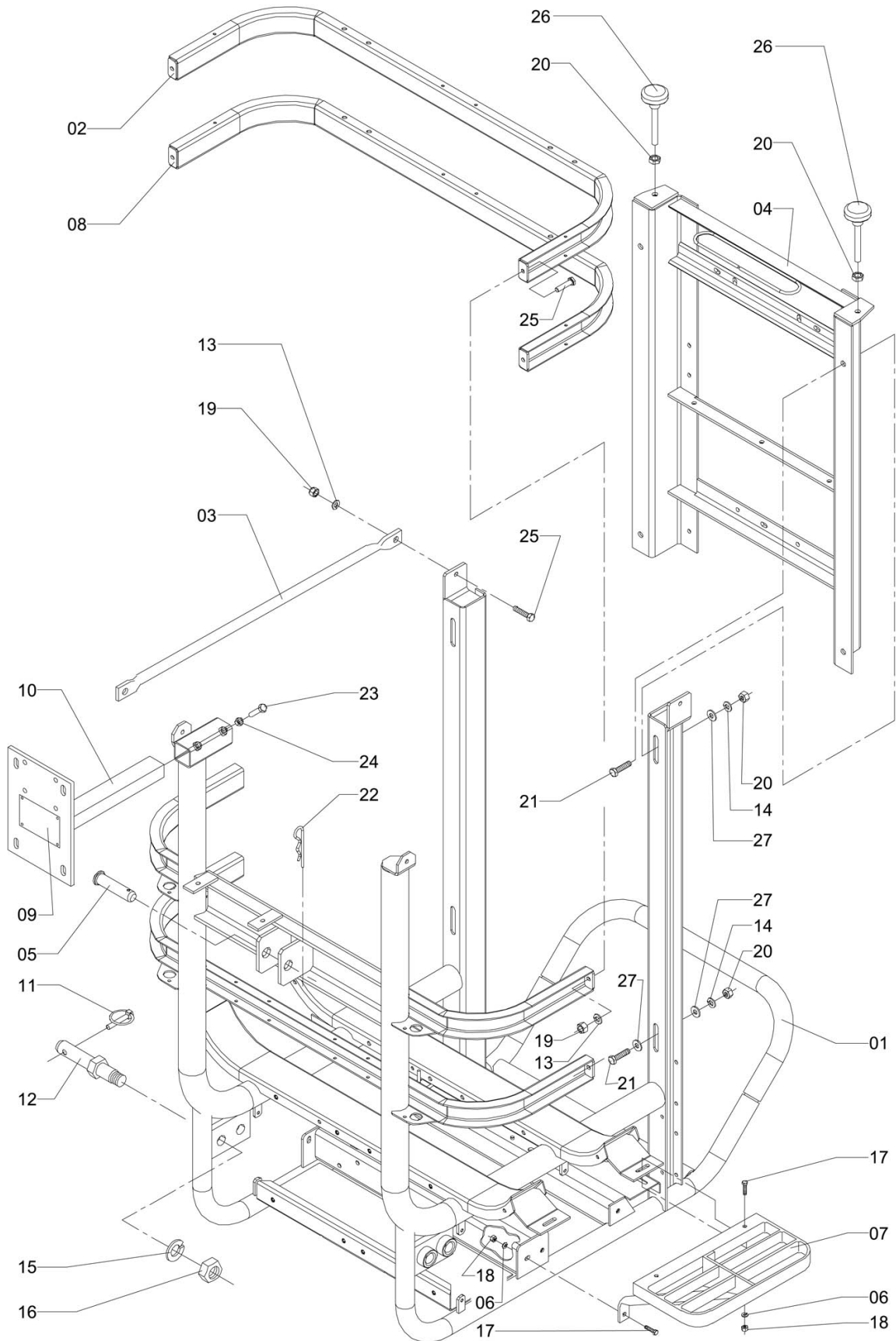
CHASSIS AND COMPLEMENTS (ELECTRIC CONTROL)

Continuation

Item	CODE	DESCRIPTION	Qty.	Item	CODE	DESCRIPTION	Qty.
00	150409	Chassis and complements (electric control)	1				
01	516948	Chassis body	1				
02	517235	Upper half-strap	1				
03	517250	Angle brace 850	1				
04	517268	Fan support	1				
05	517383	Upper coupling pin 1" x 109	1				
06	519736	Lock washer	3				
07	520791	Platform	1				
08	625111	Lower half-strap	1				
09	625236	Plate "With instructions for runing PTO"	1				
10	149542	Sprayer Control Support	1				
11	812636	Universal lock pin 7/16"	2				
12	870758	Lower coupling pin	2				
13	908566	Lock washer 3/8"	8				
14	908582	Lock washer 1/2"	4				
15	910075	Lock washer 1"	2				
16	910430	Nut 1" - 8 UNC	2				
17	912667	Bolt 5/16" x 18 UNC x 7/8	3				
18	912758	Hex. nut 5/16" - 18 UNC	3				
19	518761	Hex. nut 3/8"	8				
20	912790	Hex. nut 1/2" - 13 UNC	6				
21	428573	Bolt 1/2" - 13 UNC x 1.1/4"	4				
22	517409	Cotter pin 3/16"	1				
23	757559	Hex. bolt M10 x 30 x 1.25	2				
24	907030	Hex. nut M10 x 1.25	2				
25	912709	Bolt 3/8" - 16 UNC x 1"	8				
26	517359	Tightening screw 1/2" - 13 UNC x 78	2				
27	818112	Flat washer 130 x 240 x 30	6				

Controlled copy – Distribution and reproduction prohibited

CHASSIS AND COMPLEMENTS



C3P-116

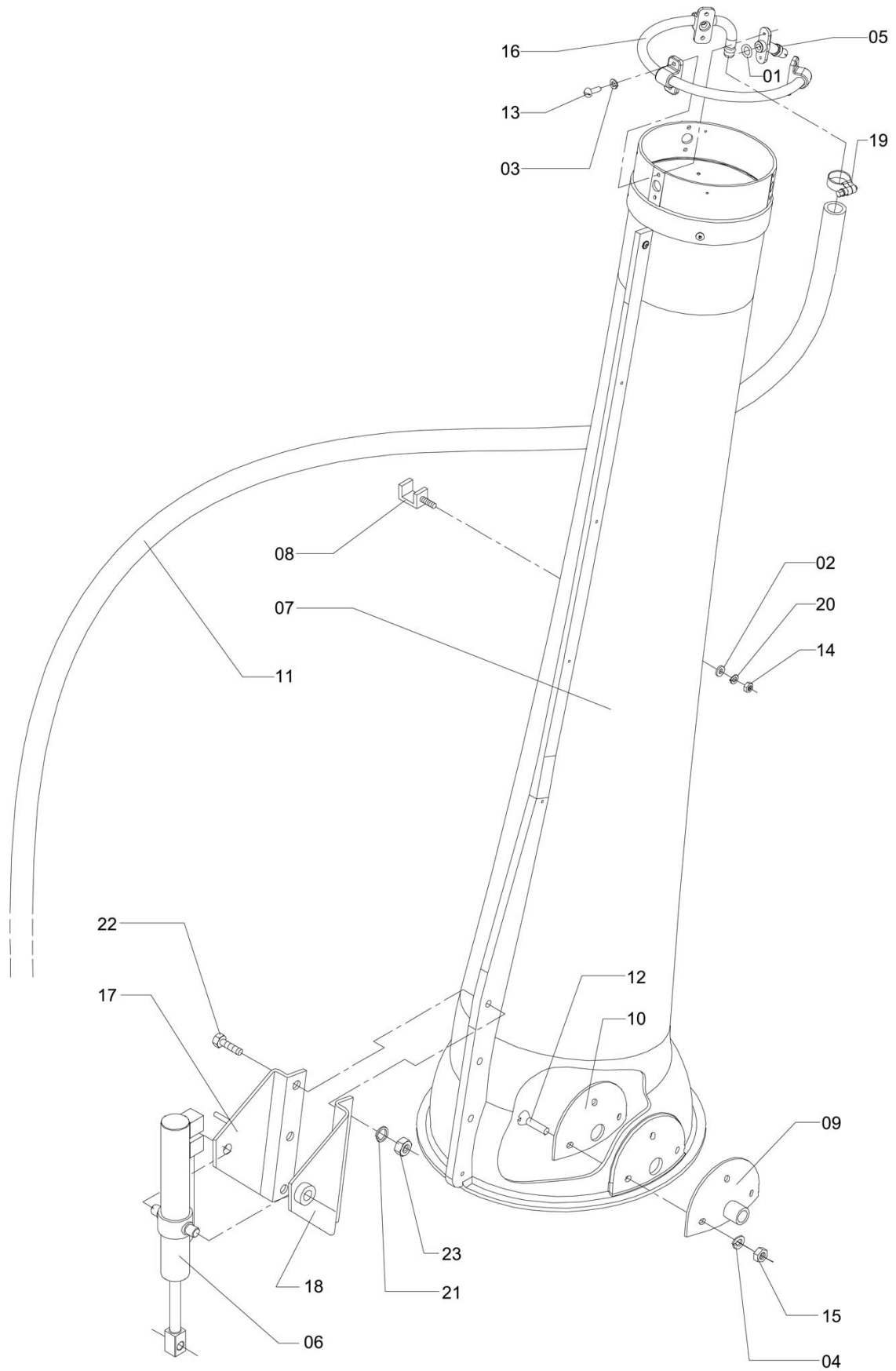
CHASSIS AND COMPLEMENTS

Continuation

Item	CODE	DESCRIPTION	Qty.	Item	CODE	DESCRIPTION	Qty.
00	354779	Chassis and complements	1				
01	516948	Chassis body	1				
02	517235	Upper half-strap	1				
03	517250	Angle brace 850	2				
04	517268	Fan support	1				
05	517383	Upper coupling pin 1" x 109	1				
06	519736	Lock washer	3				
07	520791	Platform	1				
08	625111	Lower half-strap	1				
09	625236	Plate "With instructions for runing PTO"	1				
10	732180	Control valve bracket	1				
11	812636	Universal lock pin 7/16"	2				
12	870758	Lower coupling pin	2				
13	908566	Lock washer 3/8"	8				
14	908582	Lock washer 1/2"	4				
15	910075	Lock washer 1"	2				
16	910430	Nut 1" - 8 UNC	2				
17	912667	Bolt 5/16" x 18 UNC x 7/8	3				
18	912758	Hex. nut 5/16" - 18 UNC	3				
19	518761	Hex. nut 3/8"	8				
20	912790	Hex. nut 1/2" - 13 UNC	6				
21	428573	Bolt 1/2" - 13 UNC x 1.1/4"	4				
22	517409	Cotter pin 3/16"	1				
23	757559	Hex. bolt M10 x 30 x 1.25	2				
24	907030	Hex. nut M10 x 1.25	2				
25	912709	Bolt 3/8" - 16 UNC x 1"	8				
26	517359	Tightening screw 1/2" - 13 UNC x 78	2				
27	818112	Flat washer 130 x 240 x 30	6				

Controlled copy – Distribution and reproduction prohibited

VERTICAL DUCT ASSEMBLY (CHT)



CA-293

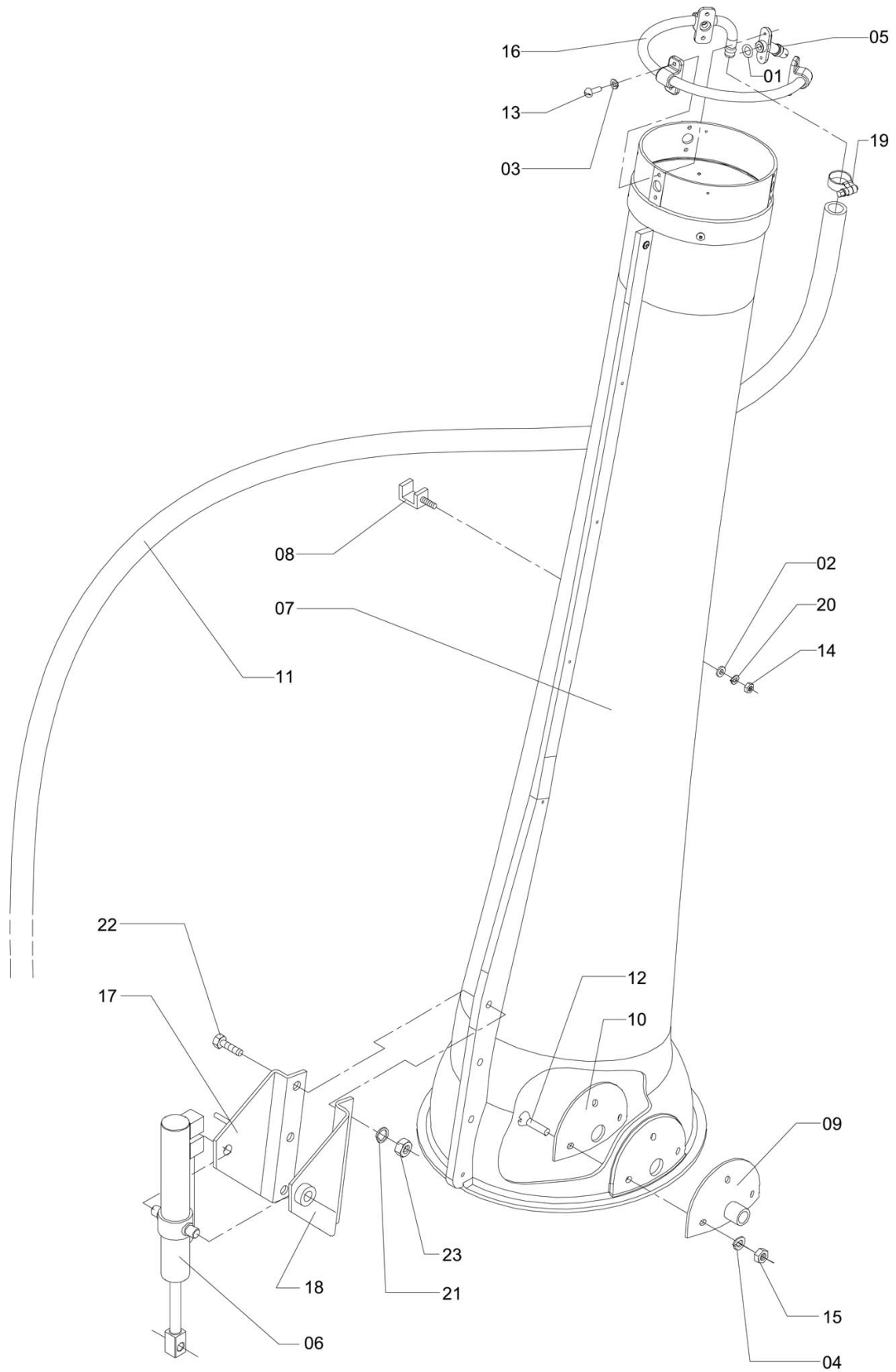
VERTICAL DUCT ASSEMBLY (CHT)

Continuation

Item	CODE	DESCRIPTION	Qty.	Item	CODE	DESCRIPTION	Qty.
00	1189296	Vertical duct assembly (CHT)	1				
01	411884	O-ring ORI - 111	3				
02	413468	Flat washer 6.8 x 18 x 1.2 - stainless steel	1				
03	520676	Lock washer 5	6				
04	519736	Lock washer	12				
05	519603	Deflector nozzle 30	3				
06	045939	Hydraulic cylinder with nipple - 160	1				
07	971663	Vertical duct	1				
08	519363	Single fastener	1				
09	620633	External bearing	2				
10	620674	Internal bearing	2				
11	456822	Hose 1/2" x 3200	1				
12	833814	Screw 5/16" UNC x 1"	6				
13	202382	Screw 3/16" UNC x 3/4"	6				
14	912741	Nut 1/4" - 20 UNC	1				
15	912758	Hex. nut 5/16" - 18 UNC	6				
16	521617	Upper nozzle branch	1				
17	926337	Cylinder support	1				
18	926345	Cylinder support	1				
19	107664	Clamp D14-22 - stainless steel	1				
20	910117	Lock washer 1/4"	1				
21	209395	Lock washer M10	3				
22	757559	Hex. bolt M10 x 30 x 1.25	3				
23	209205	Hex. nut M10 x 1,50	3				

Controlled copy – Distribution and reproduction prohibited

VERTICAL DUCT ASSEMBLY



CA-293

Controlled copy – Distribution and reproduction prohibited

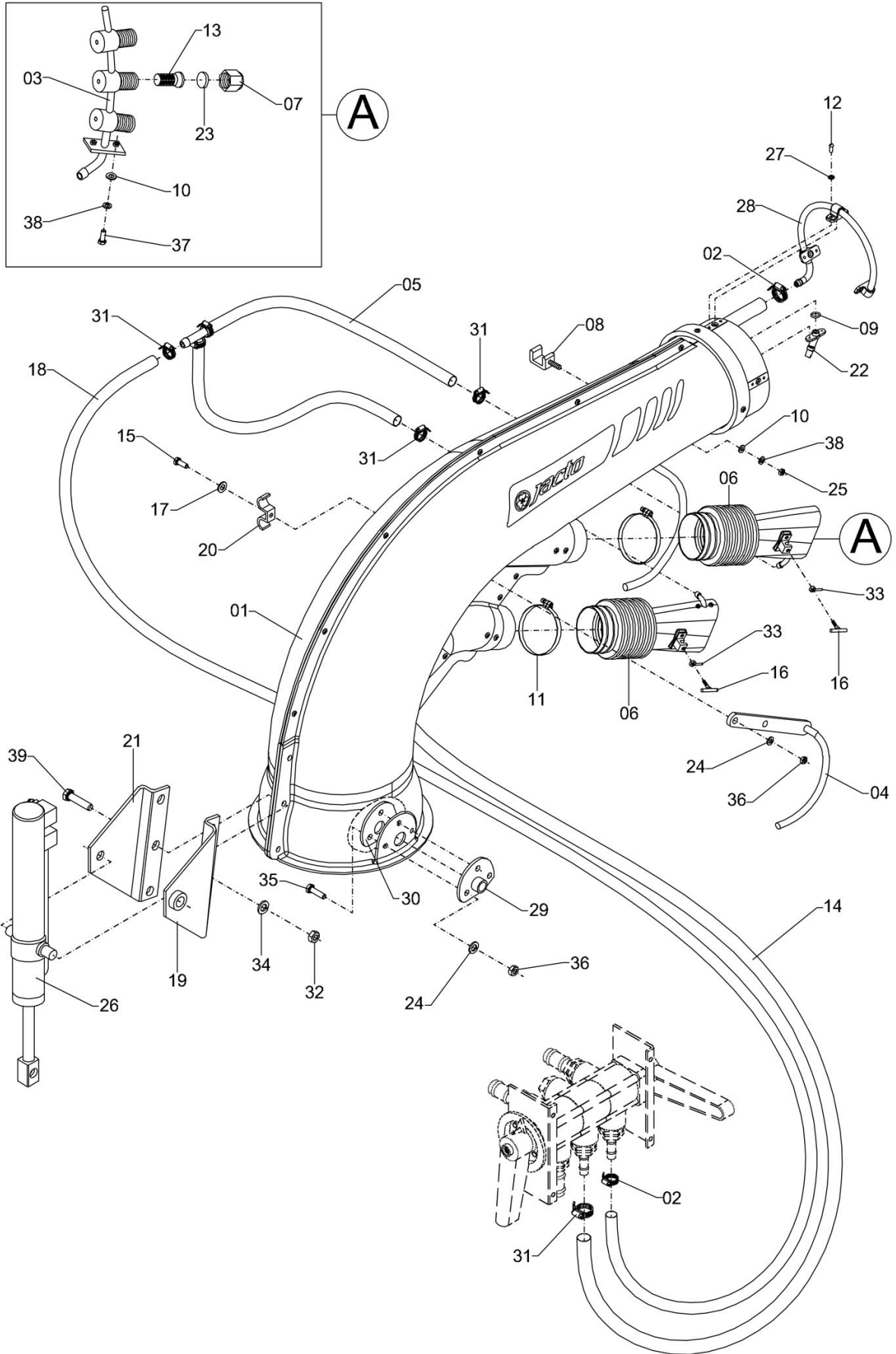
VERTICAL DUCT ASSEMBLY

Continuation

Item	CODE	DESCRIPTION	Qty.	Item	CODE	DESCRIPTION	Qty.
00	1189297	Vertical duct assembly	1				
01	411884	O-ring ORI - 111	3				
02	413468	Flat washer 6.8 x 18 x 1.2 - stainless steel	1				
03	520676	Lock washer 5	6				
04	519736	Lock washer	12				
05	519603	Deflector nozzle 30	3				
06	045947	Hydraulic cylinder with nipple - 160	1				
07	971663	Vertical duct	1				
08	519363	Single fastener	1				
09	620633	External bearing	2				
10	620674	Internal bearing	2				
11	456822	Hose 1/2" x 3200	1				
12	833814	Screw 5/16" UNC x 1"	6				
13	202382	Screw 3/16" UNC x 3/4"	6				
14	912741	Nut 1/4" - 20 UNC	1				
15	912758	Hex. nut 5/16" - 18 UNC	6				
16	521617	Upper nozzle branch	1				
17	926337	Cylinder support	1				
18	926345	Cylinder support	1				
19	107664	Clamp D14-22 - stainless steel	1				
20	910117	Lock washer 1/4"	1				
21	209395	Lock washer M10	3				
22	757559	Hex. bolt M10 x 30 x 1.25	3				
23	209205	Hex. nut M10 x 1,50	3				

Controlled copy – Distribution and reproduction prohibited

DUCT ASSEMBLY - CHT



DT-40

Controlled copy – Distribution and reproduction prohibited

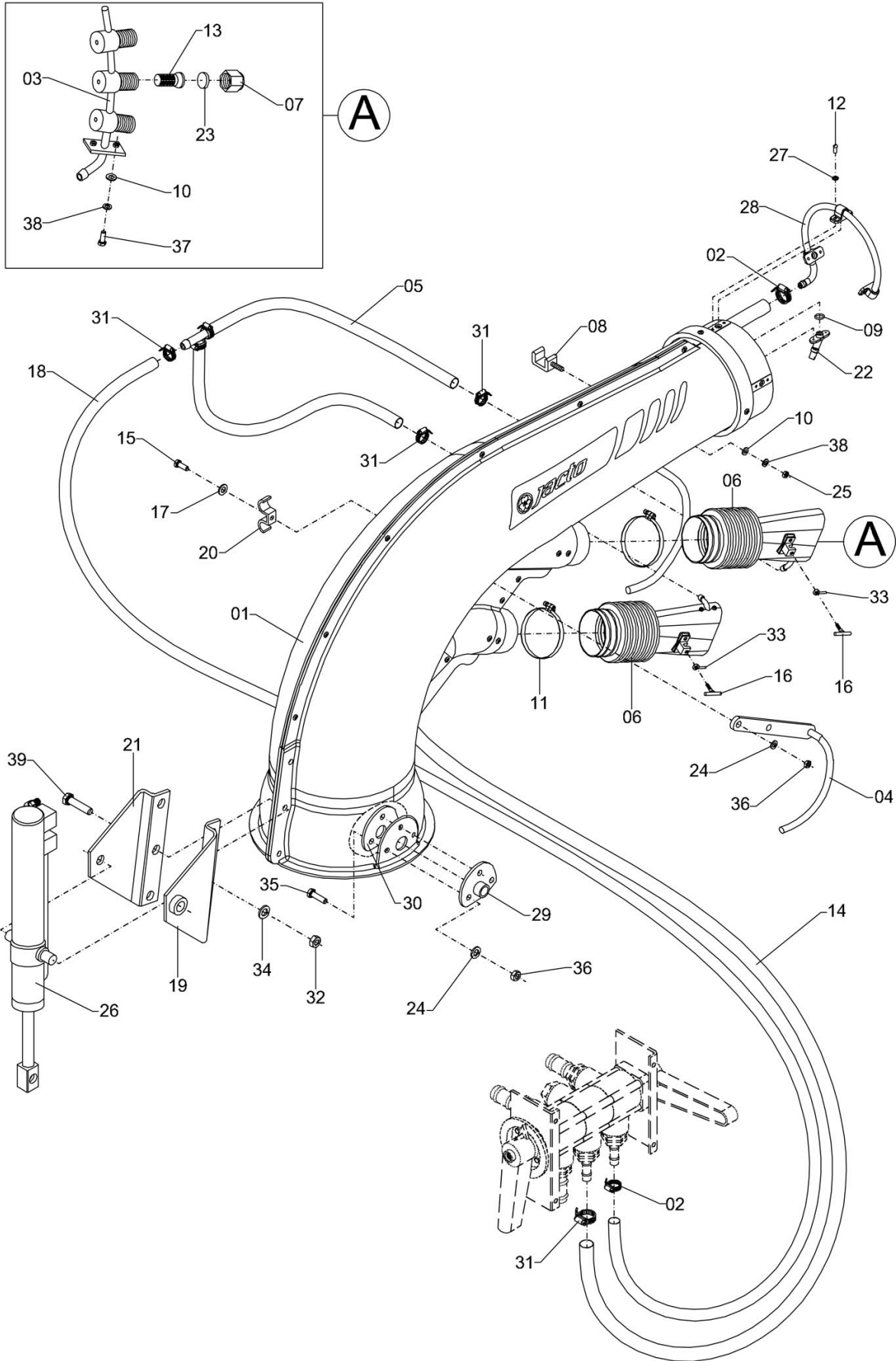
DUCT ASSEMBLY - CHT

Continuation

Item	CODE	DESCRIPTION	Qty.	Item	CODE	DESCRIPTION	Qty.
00	1189291	Duct assembly - CHT	1				
01	332429	Outlet duct	1				
02	107664	Clamp D14-22 - stainless steel	1				
03	332536	Lower nozzle branch	2				
04	332569	Lower slide	1				
05	695791	Outlet duct hose	1				
06	337972	Lower outlet hose	2				
07	039545	Hex. nut 11/16" - 16 UNC	6				
08	519363	Single fastener	1				
09	411884	O-ring ORI - 111	3				
10	413468	Flat washer 6.8 x 18 x 1.2 - stainless steel	5				
11	332635	Clamp D102-121 - stainless steel	2				
12	202382	Screw 3/16" UNC x 3/4"	6				
13	439083	Nozzle filter (50 mesh) - black/black	6				
14	517904	Hose 1/2" x 4100 - PT 80	1				
15	721704	Hex. bolt 5/16" UNC 1.1/4"	2				
16	944439	Locking screw 5/16" - 18 UNC x 28	2				
17	013433	Flat washer 4.8 x 16 x 1.6 inox	1				
19	926345	Cylinder support	1				
20	519389	Double fastener	1				
21	926337	Cylinder support	1				
22	519603	Deflector nozzle 30	3				
23	519645	Blank disk	6				
24	519736	Lock washer	8				
25	912741	Nut 1/4" - 20 UNC	1				
26	045939	Hydraulic cylinder with nipple - 160	1				
27	520676	Lock washer 5	6				
28	521617	Upper nozzle branch	1				
29	620633	External bearing	2				
30	620674	Internal bearing	2				
31	063370	Clamp D11-16 - stainless steel	3				
32	518761	Hex. nut 3/8"	3				
33	823682	Lock nut 5/16" - 18 UNC x 28	2				
34	908566	Lock washer 3/8"	3				
35	833814	Screw 5/16" UNC x 1"	6				
36	912758	Hex. nut 5/16" - 18 UNC	8				
37	910109	Screw 1/4" - 20 UNC x 1/2"	4				
38	910117	Lock washer 1/4"	5				
39	518753	Bolt 3/8" - 16 UNC x 1.1/4"	3				

Controlled copy – Distribution and reproduction prohibited

DUCT ASSEMBLY



CA-297

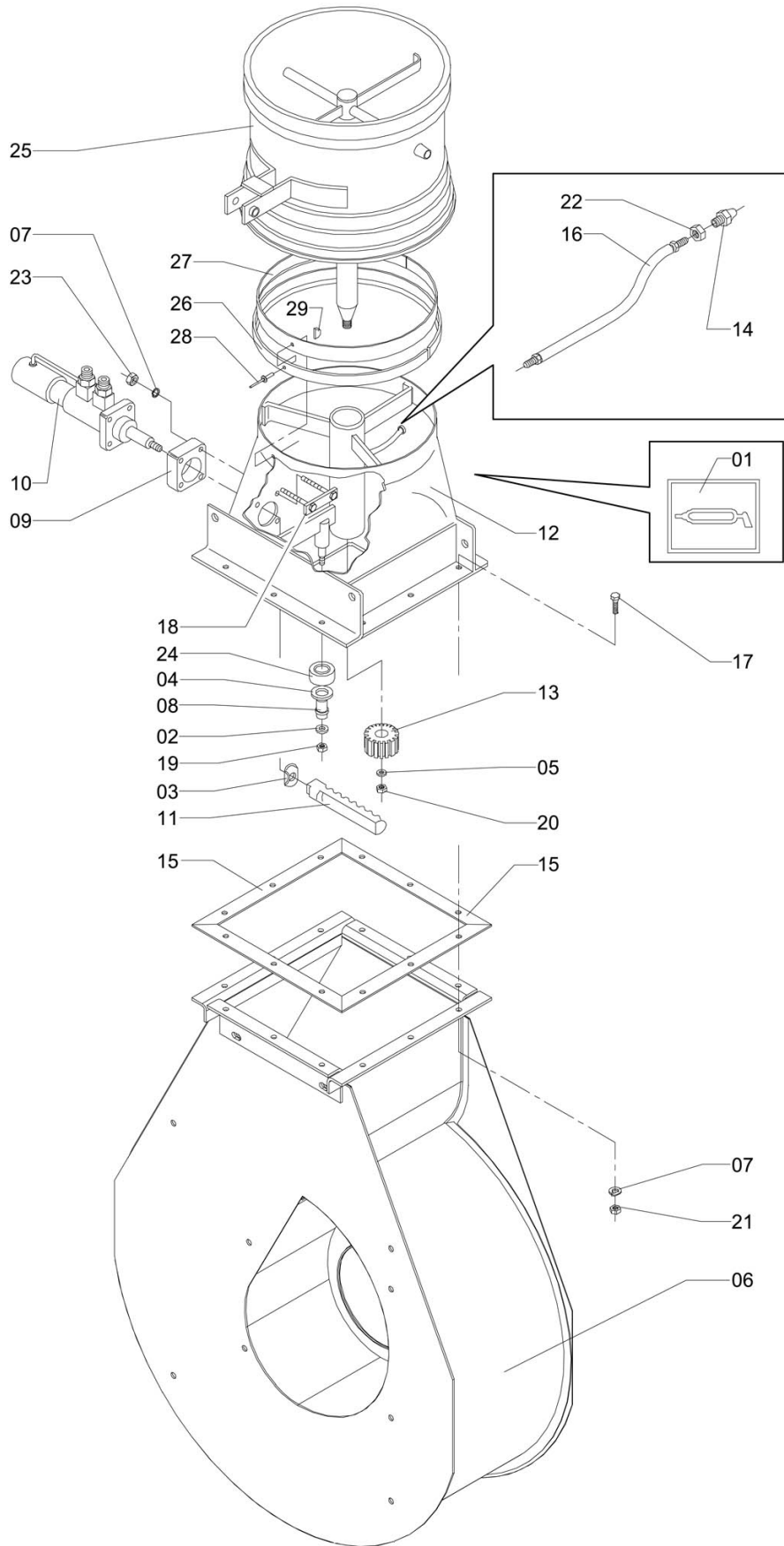
DUCT ASSEMBLY

Continuation

Item	CODE	DESCRIPTION	Qty.	Item	CODE	DESCRIPTION	Qty.
00	1189293	Duct assembly	1				
01	332429	Outlet duct	1				
02	107664	Clamp D14-22 - stainless steel	1				
03	332536	Lower nozzle branch	2				
04	332569	Lower slide	1				
05	695791	Outlet duct hose	1				
06	337972	Lower outlet hose	2				
07	039545	Hex. nut 11/16" - 16 UNC	6				
08	519363	Single fastener	1				
09	411884	O-ring ORI - 111	3				
10	413468	Flat washer 6.8 x 18 x 1.2 - stainless steel	5				
11	332635	Clamp D102-121 - stainless steel	2				
12	202382	Screw 3/16" UNC x 3/4"	6				
13	439083	Nozzle filter (50 mesh) - black/black	6				
14	517904	Hose 1/2" x 4100 - PT 80	1				
15	721704	Hex. bolt 5/16" UNC 1.1/4"	2				
16	944439	Locking screw 5/16" - 18 UNC x 28	2				
17	013433	Flat washer 4.8 x 16 x 1.6 inox	1				
19	926345	Cylinder support	1				
20	519389	Double fastener	1				
21	926337	Cylinder support	1				
22	519603	Deflector nozzle 30	3				
23	519645	Blank disk	6				
24	519736	Lock washer	8				
25	912741	Nut 1/4" - 20 UNC	1				
26	045947	Hydraulic cylinder with nipple - 160	1				
27	520676	Lock washer 5	6				
28	521617	Upper nozzle branch	1				
29	620633	External bearing	2				
30	620674	Internal bearing	2				
31	063370	Clamp D11-16 - stainless steel	3				
32	518761	Hex. nut 3/8"	3				
33	823682	Lock nut 5/16" - 18 UNC x 28	2				
34	908566	Lock washer 3/8"	3				
35	833814	Screw 5/16" UNC x 1"	6				
36	912758	Hex. nut 5/16" - 18 UNC	8				
37	910109	Screw 1/4" - 20 UNC x 1/2"	4				
38	910117	Lock washer 1/4"	5				
39	518753	Bolt 3/8" - 16 UNC x 1.1/4"	3				

Controlled copy – Distribution and reproduction prohibited

FAN BOX ASSEMBLY



CA-296

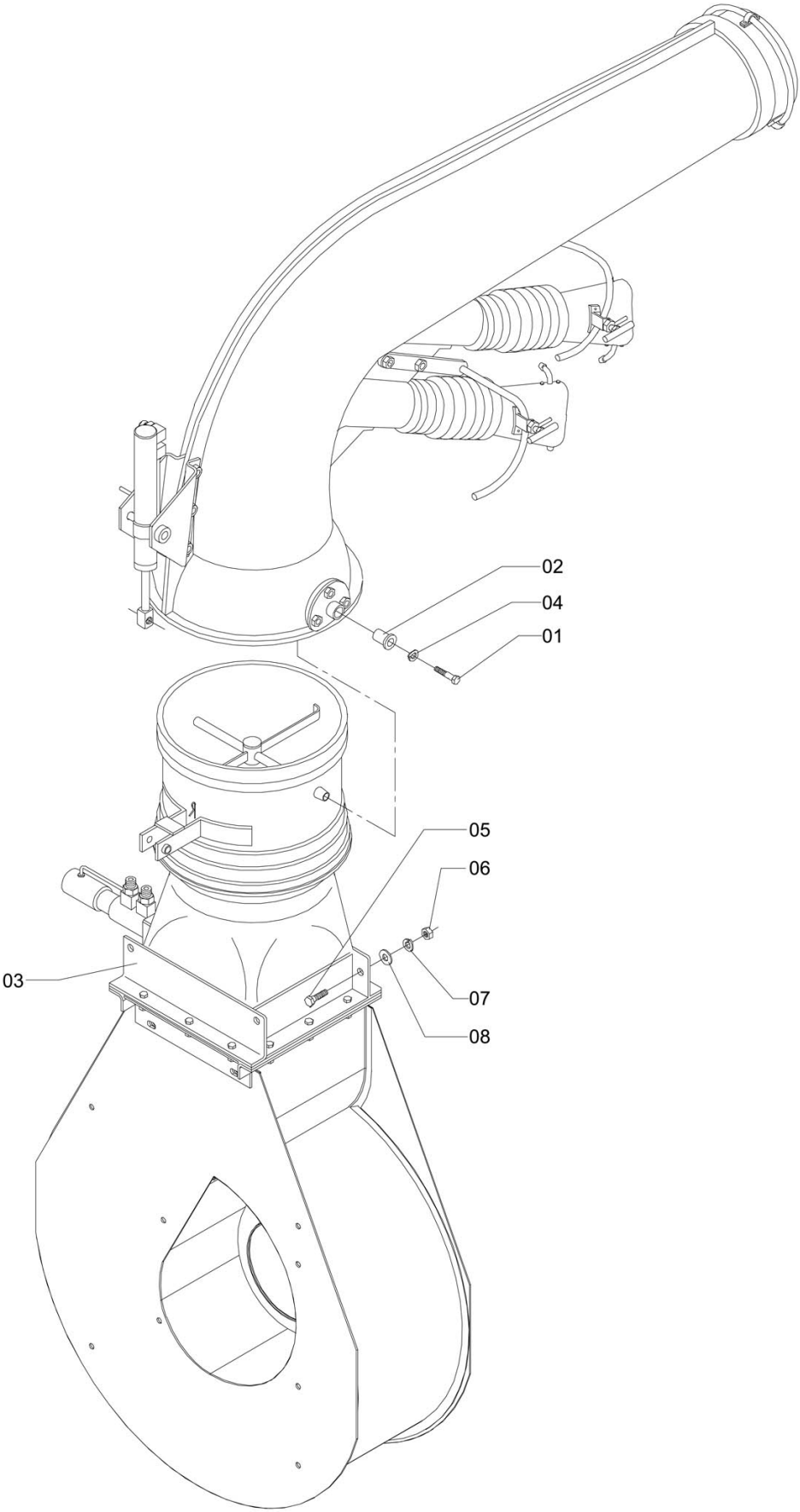
FAN BOX ASSEMBLY

Continuation

Item	CODE	DESCRIPTION	Qty.	Item	CODE	DESCRIPTION	Qty.
00	1188730	Fan box assembly	1				
01	276220	Sticker: "Lubrication Point Indication"	1				
02	623884	Flat washer 10.5 x 21 x 2 - stainless steel	1				
03	903591	Flat washer 25.8 x 13.4 x 1.25	1				
04	705129	Flat washer 152 x 272 x 9	1				
05	881243	Flat washer 17 x 30 x 1,9 - stainless steel	1				
06	518605	Fan housing	1				
07	519736	Lock washer	16				
08	519330	Bushing	1				
09	519983	Hydraulic cylinder spacer	1				
10	045913	Hydraulic cylinder with nipples - 32 x 100	1				
11	519975	Rack	1				
12	519199	Fixed duct	1				
13	519355	Gear	1				
14	918748	Grease nipple M6 x 1 - 45	1				
15	519702	Packing 32 x 325 x 3.20	4				
16	695759	Hose assembly (Agitator 1/4" x 340)	1				
17	829382	Hex head bolt M8 x 25 x 1.25	12				
18	520999	Clip plate	2				
19	108761	Nut 3/8" - 16 UNC	1				
20	521021	Nut M-16 X 1.50 DODI LOC	1				
21	810770	Hex. nut M8 x 1.25	12				
22	907030	Hex. nut M10 x 1.25	1				
23	912758	Hex. nut 5/16" - 18 UNC	4				
24	520734	Bearing no. 6002	1				
25	519033	Intermediate duct	1				
26	519314	Fastening ring	1				
27	519306	Packing	1				
28	519785	Rivbet Pop	8				
29	519348	Half moon key 6 x 9 x 22	1				

Controlled copy – Distribution and reproduction prohibited

APPLICATION ASSEMBLY (WITH EXTENSION)



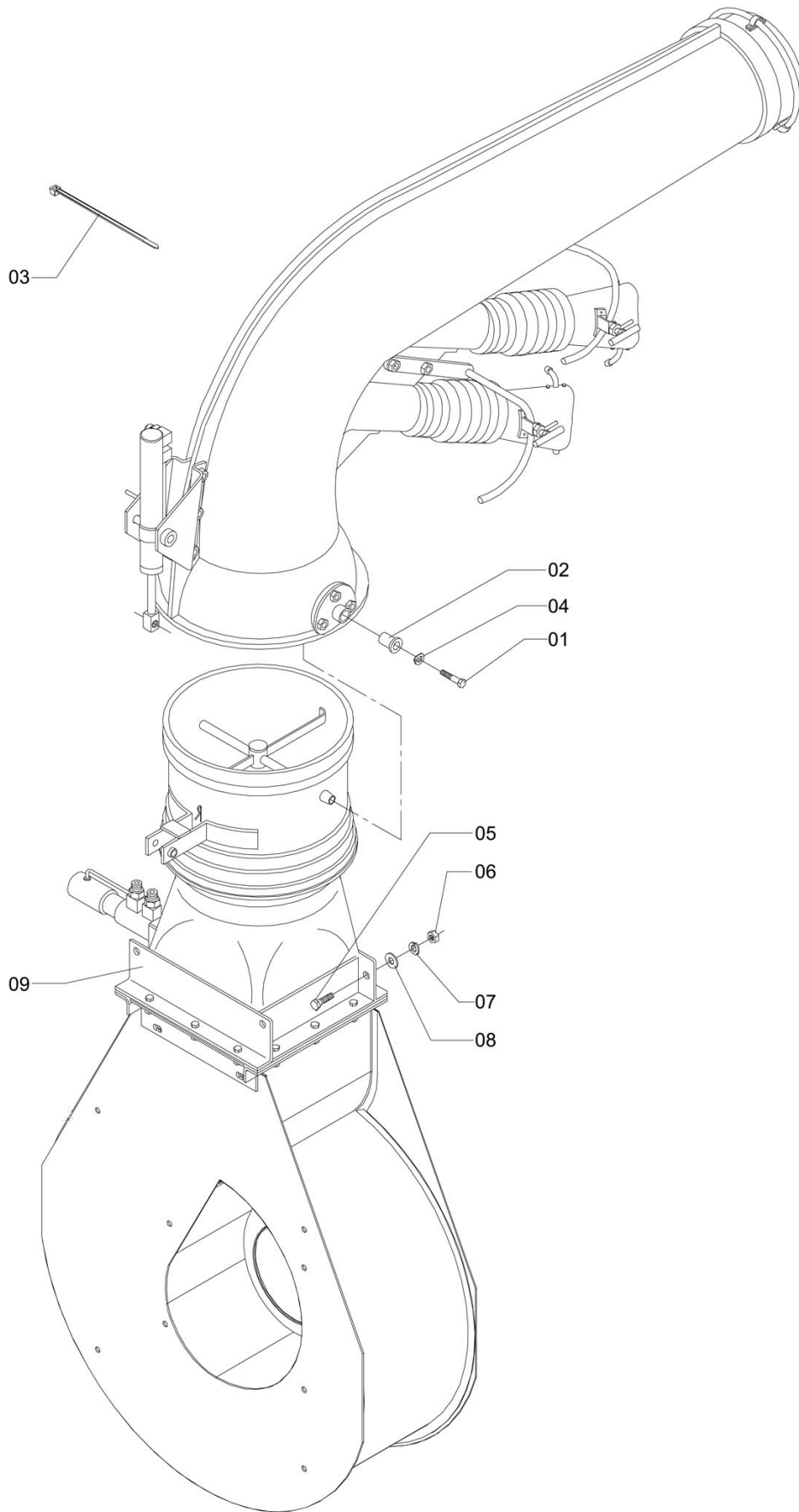
CA-295

APPLICATION ASSEMBLY (WITH EXTENSION)

Continuation

Item	CODE	DESCRIPTION	Qty.	Item	CODE	DESCRIPTION	Qty.
00	684654	Application assembly (with extension)	1				
01	912717	Bolt 3/8" x 16 UNC x 1.3/4"	2				
02	620682	Bushing 15.9 x 28	2				
03	1188730	Fan box assembly	1				
04	908566	Lock washer 3/8"	2				
05	829515	Hex. bolt M10 x 1.5 x 25 CL8.8	8				
06	209205	Hex. nut M10 x 1,50	8				
07	209395	Lock washer M10	8				
08	623884	Flat washer 10.5 x 21 x 2 - stainless steel	8				

APPLICATION ASSEMBLY



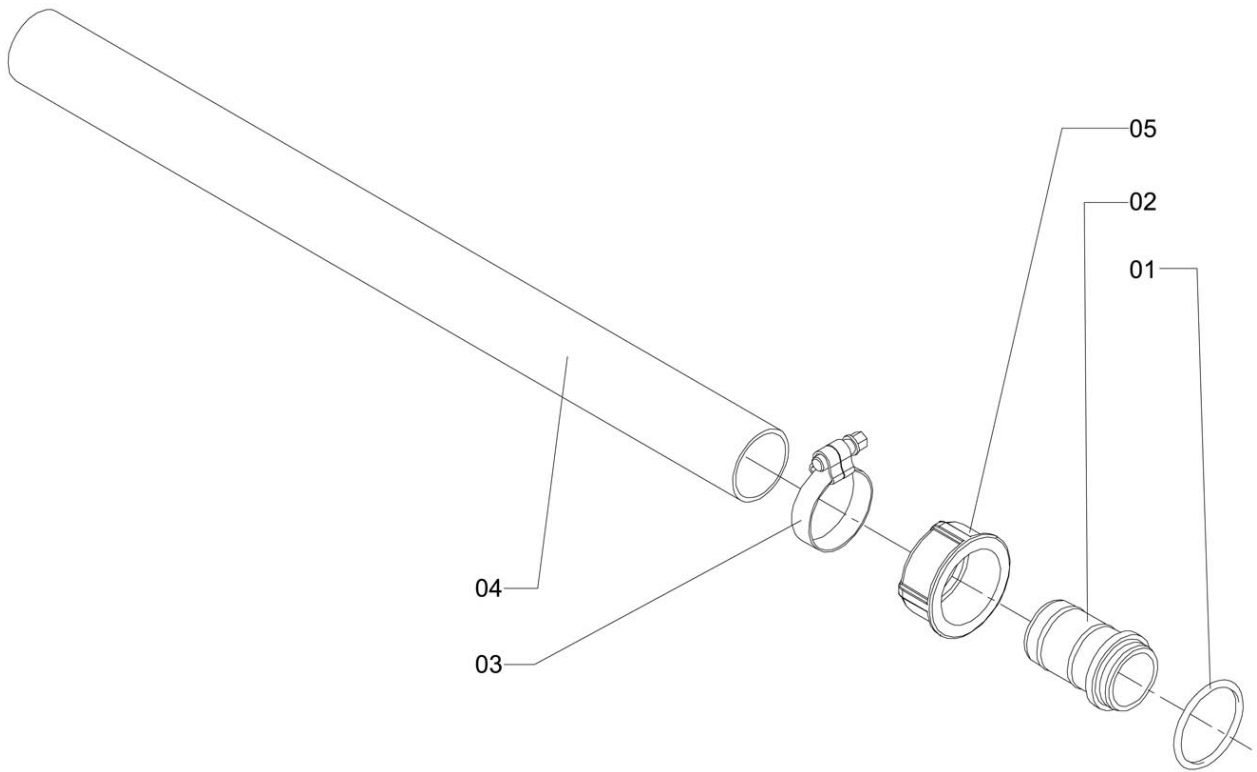
CA-294

APPLICATION ASSEMBLY

Continuation

Item	CODE	DESCRIPTION	Qty.	Item	CODE	DESCRIPTION	Qty.
00	445874	Application assembly	1				
01	912717	Bolt 3/8" x 16 UNC x 1.3/4"	2				
02	620682	Bushing 15.9 x 28	2				
03	326710	Hose tie	2				
04	908566	Lock washer 3/8"	2				
05	829515	Hex. bolt M10 x 1.5 x 25 CL8.8	4				
06	209205	Hex. nut M10 x 1,50	4				
07	209395	Lock washer M10	4				
08	623884	Flat washer 10.5 x 21 x 2 - stainless steel	4				
09	1188730	Fan box assembly	1				

HOSE - PUMP/CONTROL



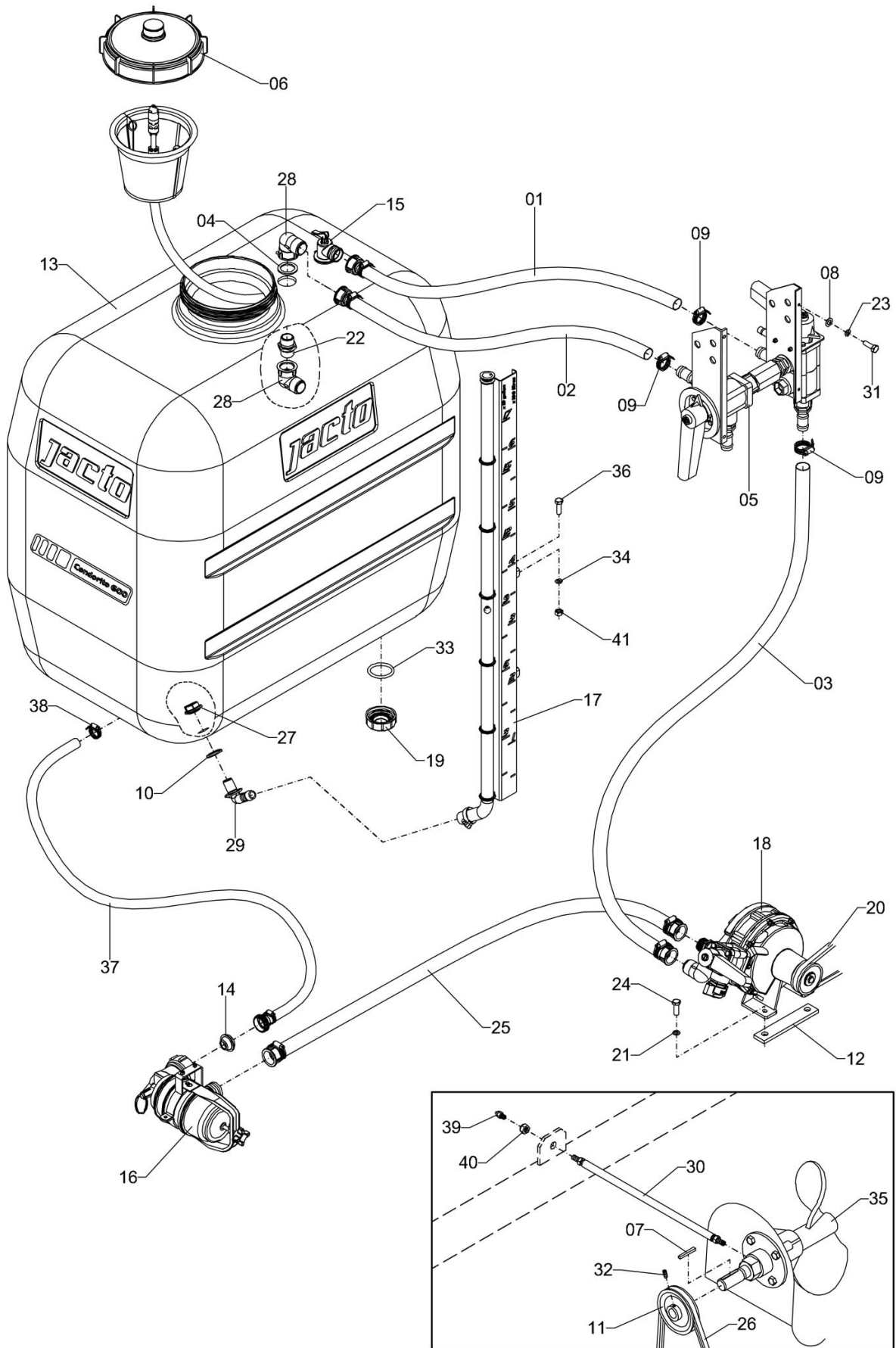
MD-061

HOSE - PUMP/CONTROL

Continuation

Item	CODE	DESCRIPTION	Qty.	Item	CODE	DESCRIPTION	Qty.
00	168385	Hose - Pump/Control	1				
01	402412	Lock washer 31 x 22.5 x 22.5/3.0	1				
02	404434	Hose fitting	1				
03	423814	Clamp D22-32 - stainless steel	1				
04	839563	Hose 25.4 (1") x 2000 - km 25 - blue	1				
05	511733	Round nut 1" BSP (40-45)	1				

CHEMICAL CIRCUIT



CD-1089

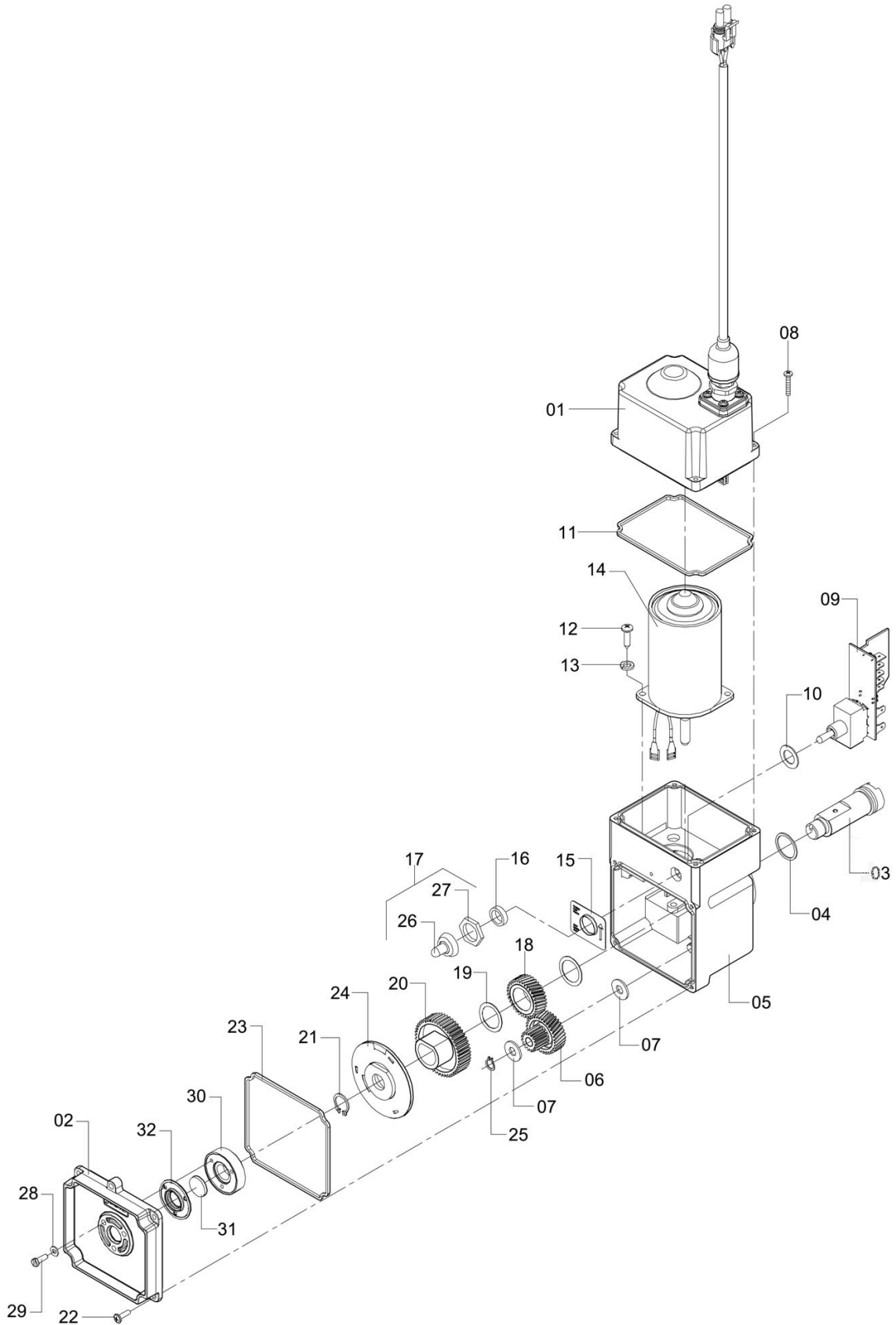
CHEMICAL CIRCUIT

Continuation

Item	CODE	DESCRIPTION	Qty.	Item	CODE	DESCRIPTION	Qty.
00	333773	Chemical circuit	1				
01	168369	Hose - Control/Tank	1				
02	168377	Return hose - 1" x 1300mm	1				
03	168385	Hose - Pump/Control	1				
04	212472	Packing 45 x 33.5	1				
05	333690	Flow rate regulating valve	1				
06	037374	Lid with breather	1				
07	405597	Square key 4,75 (3/16") x 28	1				
08	413468	Flat washer 6.8 x 18 x 1.2 - stainless steel	4				
09	423814	Clamp D22-32 - stainless steel	3				
10	973024	Seal 36 x 21 x 6	1				
11	517763	Pulley 119-1A	1				
12	520221	Bolt guide	1				
13	137174	600-liter tank	1				
14	005934	Valve seat	1				
15	060434	Chemical container rinse nozzle no.4	1				
16	613596	100-liter suction Filter with Valve	1				
17	716670	Level indicator 5	1				
18	164871	Centrifugal pump with 3-way valve	1				
19	900761	Drain cap 67	1				
20	907592	Trapezoid belt A-45	1				
21	908566	Lock washer 3/8"	2				
22	910000	Nipple 1" BSP	1				
23	910117	Lock washer 1/4"	2				
24	912709	Bolt 3/8" - 16 UNC x 1"	2				
25	168351	Hose - Filter / Pump	1				
26	913624	Trapeze belt A 38	1				
27	428748	Flanged nut 1/2" BSP -14 F.P.P.	1				
28	902817	Male/female elbow 1" BSP x 90°	2				
29	428730	Elbow 3/4" x 1/2" BSP -14 F.P.P.	1				
30	050385	Hose assembly (Agitator 1/4" x 340)	1				
31	009977	Bolt 1/4" - 20 UNC	2				
32	997205	Bolt M6 x 10 x 0.8	1				
33	096032	Packing ring 60,8 x 50,2	1				
34	521666	Lock washer 5 - stainless steel	2				
35	517573	Mechanical agitator no. 3	1				
36	829507	Hex. head bolt M6 x 1 x 16 CL8.8	2				
37	168393	Hose - Filter/Tank	1				
38	330969	Clamp D25-38 - stainless steel	1				
39	910463	Grease nipple 1/4" - 28 UNF	1				
40	912741	Nut 1/4" - 20 UNC	2				
41	810689	Hex. nut M6 x 1 CL8	2				

Controlled copy – Distribution and reproduction prohibited

QUICK RELIEF REDUCTION BOX AND BRANCHES



CV-581

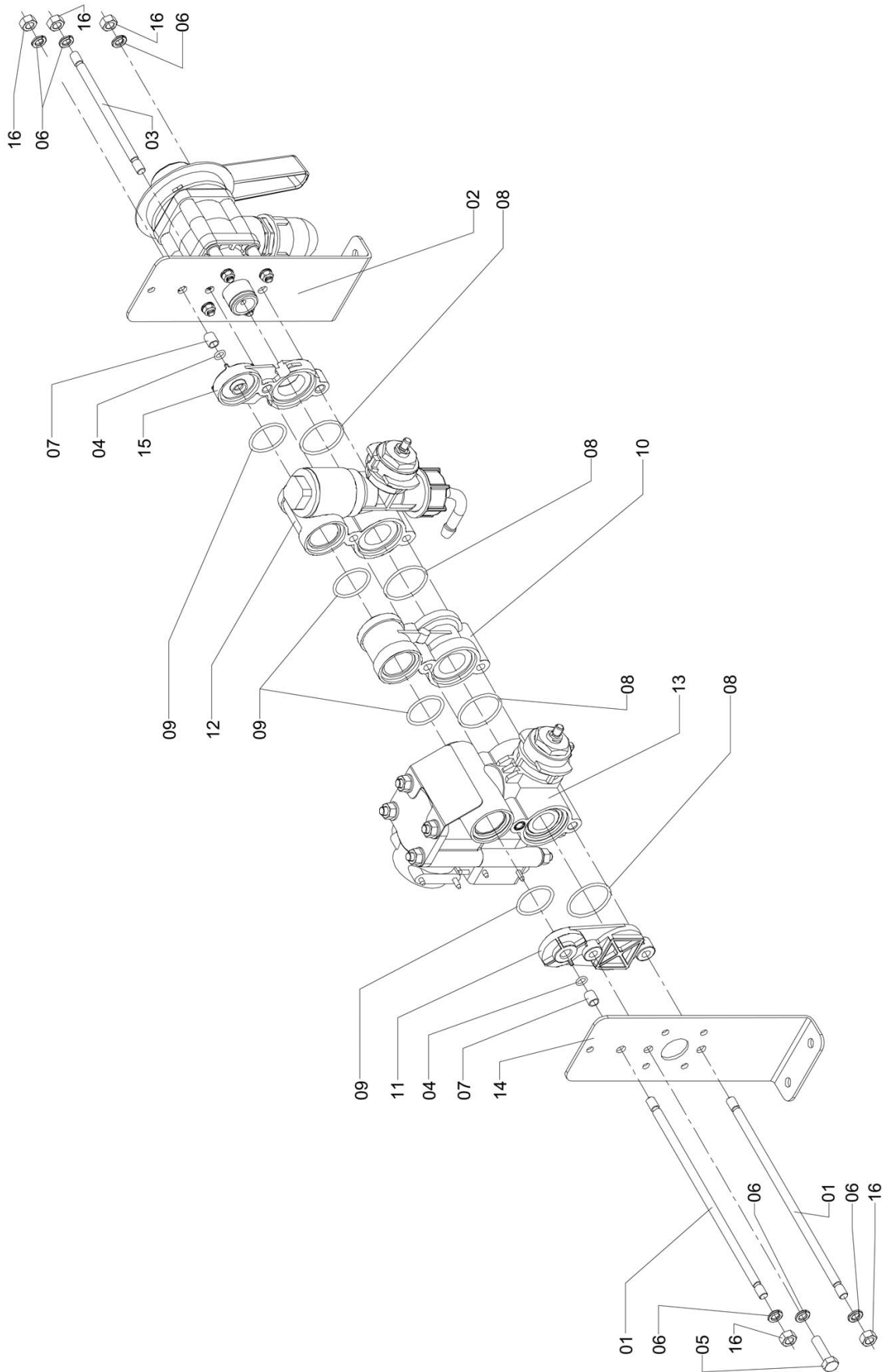
Controlled copy – Distribution and reproduction prohibited

QUICK RELIEF REDUCTION BOX AND BRANCHES

Continuation

Item	CODE	DESCRIPTION	Qty.	Item	CODE	DESCRIPTION	Qty.
00	582254	Quick relief reduction box and branches	1				
01	795294	Cover assembly - quick relief motor	1				
02	189803	Gear case cover assembly	1				
03	867069	Gear case shaft	1				
04	164343	Seat washer M24	1				
05	172973	Gear case with bushing	1				
06	983957	Conjugate gear	1				
07	093369	Flat washer 84 x 127 x 12.4	2				
08	878769	Screw 3.5 x 20	4				
09	893347	Boom section plate assembly	1				
10	109462	Flat washer 120 x 205 x 9	1				
11	063032	Engine cover ring	1				
12	304774	Self-tapping screw 4,8 x 19	2				
13	520676	Lock washer 5	2				
14	1200809	Electric motor	1				
15	061176	Plate	1				
16	796953	Packing ring	1				
17	508408	Fastener nut	1				
18	472340	Right helicoidal gear	1				
19	965087	Flat washer 205 x 270 x 5	1				
20	983965	Gear	1				
21	997239	Snap ring for shaft 14	1				
22	709642	Bolt PH 4 x 14	5				
23	062265	Box ring	1				
24	175737	Contact disc	1				
25	049833	Snap ring	1				
26	505800	Wrench cap	1				
27	876482	Wrench fastening nut	1				
28	050187	Flat washer 4.3 x 9 x 0.8 - stainless steel	3				
29	727669	Bolt M4 x 12	3				
30	189845	Sliding bearing	1				
31	189795	Gearbox sight	1				
32	189126	Sight seal	1				

ELECTRICAL CONTROL - MASTERFLOW



CV-645

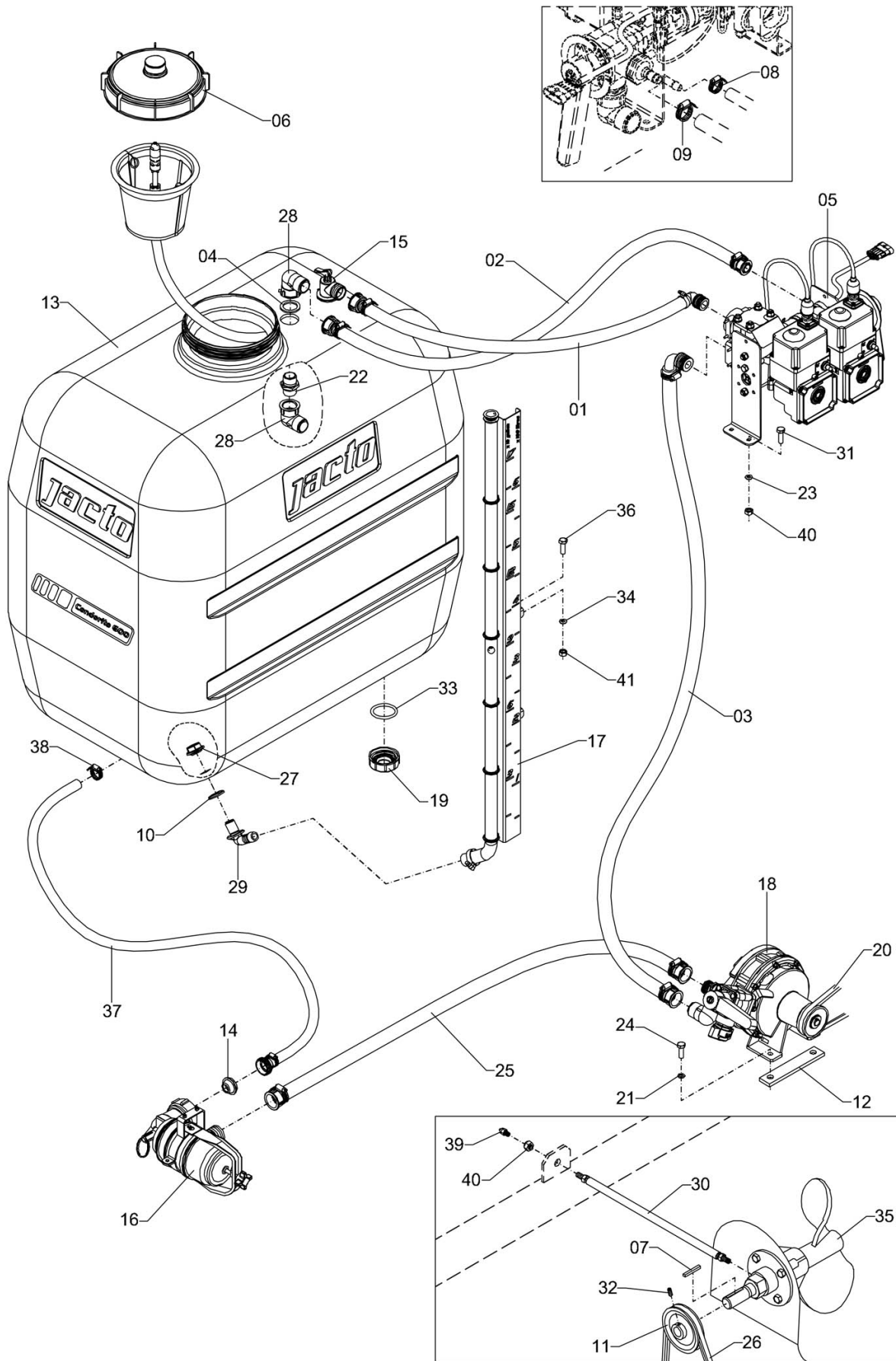
ELECTRICAL CONTROL - MASTERFLOW

Continuation

Item	CODE	DESCRIPTION	Qty.	Item	CODE	DESCRIPTION	Qty.
00	321133	Electrical control - Masterflow	1				
01	139295	Stud bolt M 8 x 250 x 1,25	2				
02	140160	Electric Control Valve	1				
03	166884	Stud bolt M8 x 149 x 1,25 - inox	1				
04	322040	O-ring ORI-011	2				
05	448233	Bolt M8 x 30 x 1,25	1				
06	519736	Lock washer	6				
07	055764	Bushing	2				
08	648170	O-ring OR1-128	4				
09	731521	O-ring OR1 - 124	4				
10	860114	Spacer	1				
11	866012	Left cover	1				
12	139311	Control Branch - Assembly	1				
13	139337	Quick relief	1				
14	139360	Support	1				
15	139923	Right cover	1				
16	221648	Nut M8 x 1.25 - stainless steel	5				

Controlled copy – Distribution and reproduction prohibited

CHEMICAL CIRCUIT - ELECTRIC



CD-1088

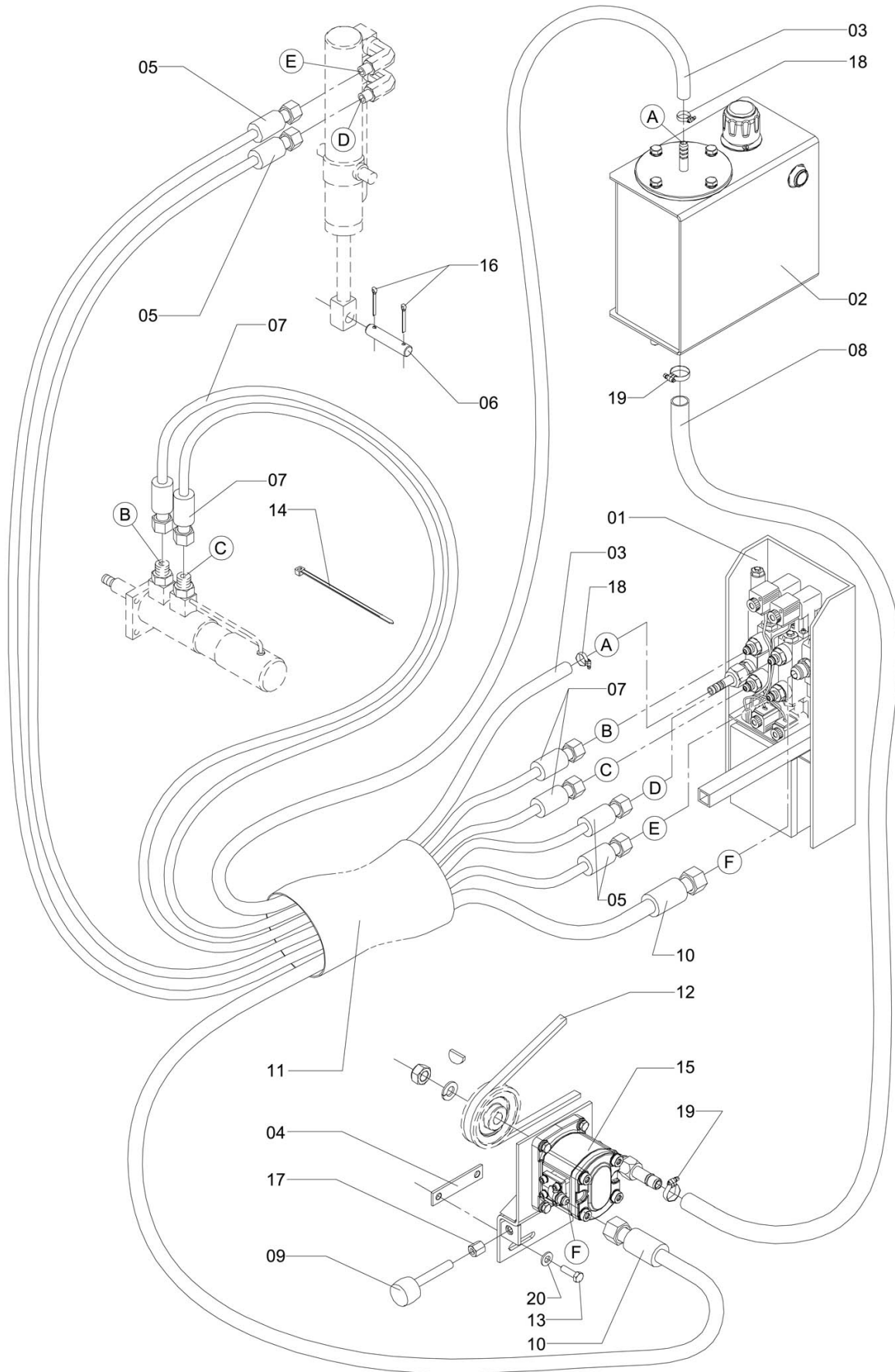
CHEMICAL CIRCUIT - ELECTRIC

Continuation

Item	CODE	DESCRIPTION	Qty.	Item	CODE	DESCRIPTION	Qty.
00	276642	Chemical circuit - electric	1				
01	012617	Hose - Control/Tank	1				
02	287144	Return hose - 1" x 700	1				
03	012609	Hose - Pump/Control	1				
04	212472	Packing 45 x 33.5	1				
05	139378	Electric control and complements	1				
06	037374	Lid with breather	1				
07	405597	Square key 4.75 (3/16") x 28	1				
08	063370	Clamp D11-16 - stainless steel	2				
09	107664	Clamp D14-22 - stainless steel	1				
10	973024	Seal 36 x 21 x 6	1				
11	517763	Pulley 119-1A	1				
12	520221	Bolt guide	1				
13	137174	600-liter tank	1				
14	005934	Valve seat	1				
15	060434	Chemical container rinse nozzle no.4	1				
16	613596	100-liter suction Filter with Valve	1				
17	716670	Level indicator 5	1				
18	164871	Centrifugal pump with 3-way valve	1				
19	900761	Drain cap 67	1				
20	907592	Trapezoid belt A-45	1				
21	908566	Lock washer 3/8"	2				
22	910000	Nipple 1" BSP	1				
23	519736	Lock washer	4				
24	912709	Bolt 3/8" - 16 UNC x 1"	2				
25	168351	Hose - Filter / Pump	1				
26	913624	Trapeze belt A 38	1				
27	428748	Flanged nut 1/2" BSP -14 F.P.P.	1				
28	902817	Male/female elbow 1" BSP x 90°	2				
29	428730	Elbow 3/4" x 1/2" BSP -14 F.P.P.	1				
30	050385	Hose assembly (Agitator 1/4" x 340)	1				
31	829374	Hex. head bolt M8 x 20 x 1.25 -cl 8.8	4				
32	997205	Bolt M6 x 10 x 0.8	1				
33	096032	Packing ring 60,8 x 50,2	1				
34	521666	Lock washer 5 - stainless steel	2				
35	517573	Mechanical agitator no. 3	1				
36	829507	Hex. head bolt M6 x 1 x 16 CL8.8	2				
37	168393	Hose - Filter/Tank	1				
38	330969	Clamp D25-38 - stainless steel	1				
39	910463	Grease nipple 1/4" - 28 UNF	1				
40	810770	Hex. nut M8 x 1.25	4				
41	810689	Hex. nut M6 x 1 CL8	2				
	169128	Sticker: "Chemical container rinse nozzle"	1				
	323584	Hose tie	1				

Controlled copy – Distribution and reproduction prohibited

DUCT ACTUATION CIRCUIT



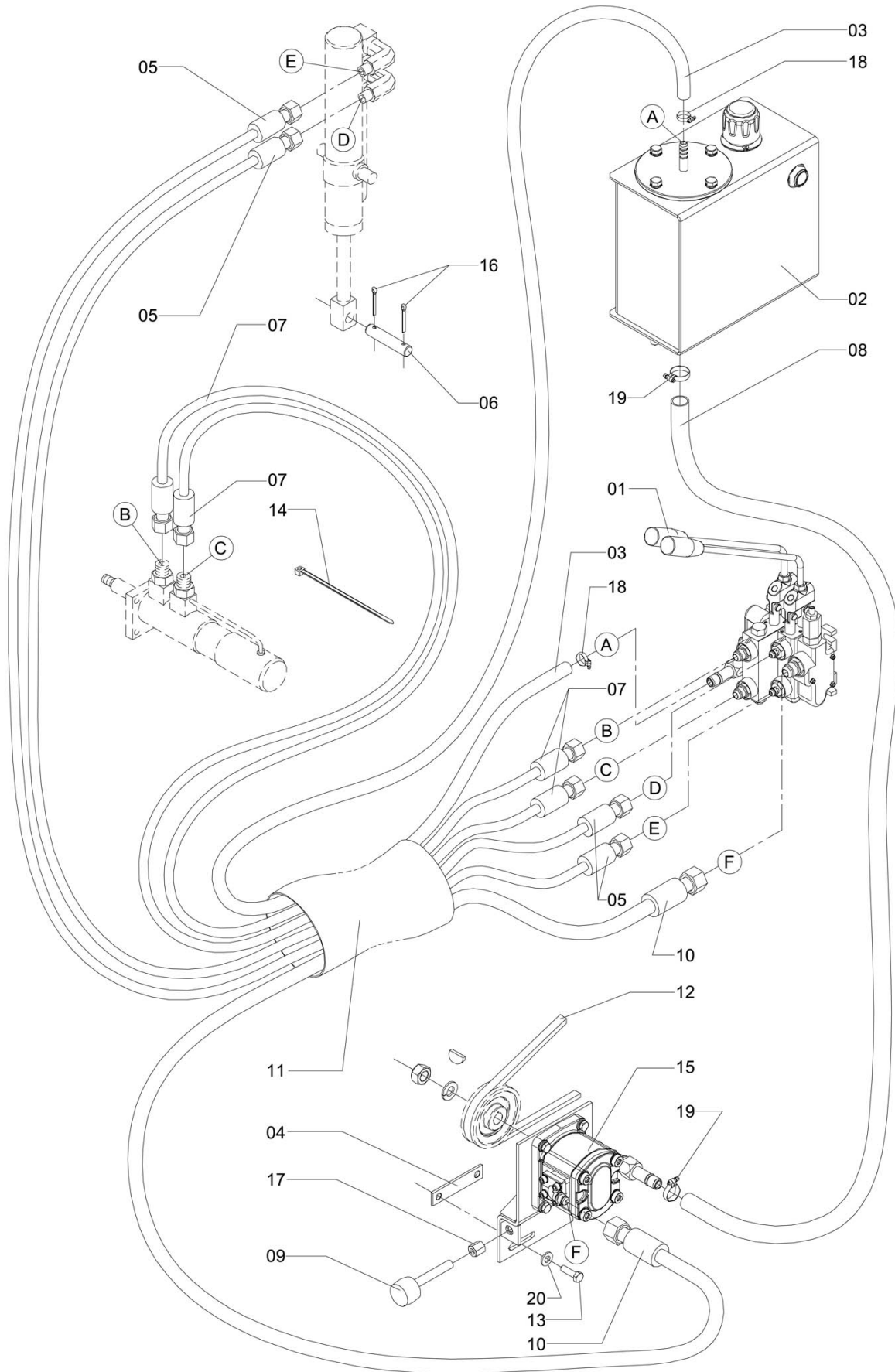
CH-636

DUCT ACTUATION CIRCUIT

Continuation

Item	CODE	DESCRIPTION	Qty.	Item	CODE	DESCRIPTION	Qty.
00	278390	Duct actuation circuit	1				
01	045970	Electrical hydraulic control with nipple	1				
02	518878	Hydraulic oil reservoir (4 liters)	1				
03	519868	Hose 3/8" x 450	1				
04	519918	Bolt guide	1				
05	210674	Hose MHMP 04 - 1/4 x 2660	2				
06	520015	Joint pin	1				
07	520098	Hose 1/4" x 1500	2				
08	530758	Hydraulic hose without coupling end - SAE J517 100R6 - 10 1000	1				
09	542613	Tightening screw 3/8" - 16 UNC x 100	1				
10	216853	Hose 5/16" x 1759	1				
11	851766	Flexible hose - 4" x 1000	1				
12	878801	Trapeze belt A-27	1				
13	912709	Bolt 3/8" - 16 UNC x 1"	2				
14	323584	Hose tie	2				
15	999789	Duct actuation circuit	1				
16	808451	Cotter pin 2.38 x 19.05	2				
17	327445	Hex. nut 3/8" - 16 UNC	1				
18	063370	Clamp D11-16 - stainless steel	2				
19	107664	Clamp D14-22 - stainless steel	2				
20	422436	Flat washer 104 x 254 x 19	2				

DUCT ACTUATION CIRCUIT



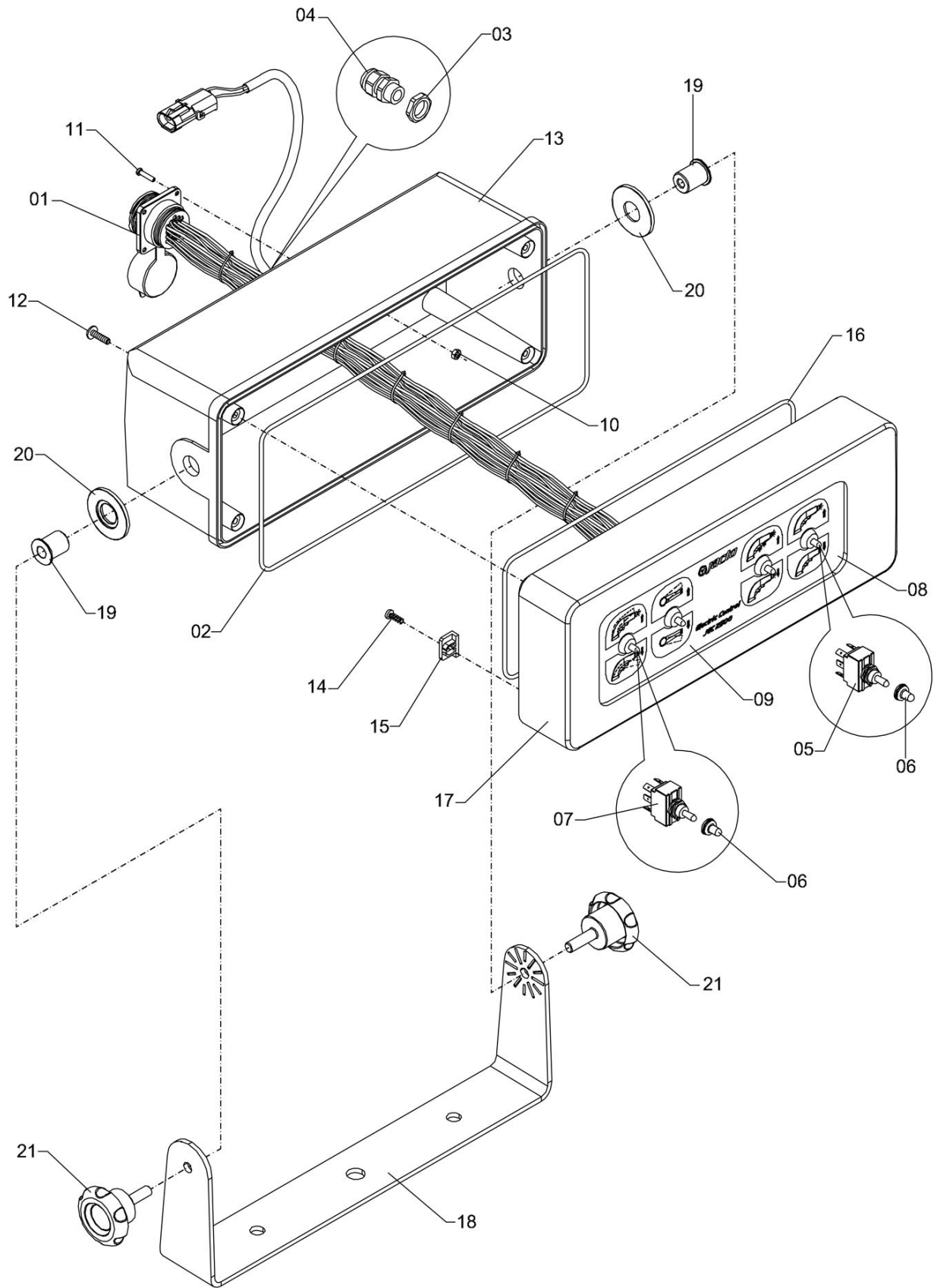
CH-637

DUCT ACTUATION CIRCUIT

Continuation

Item	CODE	DESCRIPTION	Qty.	Item	CODE	DESCRIPTION	Qty.
00	520056	Duct actuation circuit	1				
01	045954	Directional contrl with nipple	1				
02	518878	Hydraulic oil reservoir (4 liters)	1				
03	519868	Hose 3/8" x 450	1				
04	519918	Bolt guide	1				
05	210674	Hose MHMP 04 - 1/4 x 2660	2				
06	520015	Joint pin	1				
07	520098	Hose 1/4" x 1500	2				
08	530758	Hydraulic hose without coupling end - SAE J517 100R6 - 10 1000	1				
09	542613	Tightening screw 3/8" - 16 UNC x 100	1				
10	216853	Hose 5/16" x 1759	1				
11	520379	Protective hose 4" x 1050	1				
12	878801	Trapeze belt A-27	1				
13	912709	Bolt 3/8" - 16 UNC x 1"	2				
14	323584	Hose tie	2				
15	999789	Duct actuation circuit	1				
16	808451	Cotter pin 2.38 x 19.05	2				
17	327445	Hex. nut 3/8" - 16 UNC	1				
18	063370	Clamp D11-16 - stainless steel	2				
19	107664	Clamp D14-22 - stainless steel	2				
20	422436	Flat washer 104 x 254 x 19	2				

JEC-2500 COMPUTER



CE-543

Controlled copy – Distribution and reproduction prohibited

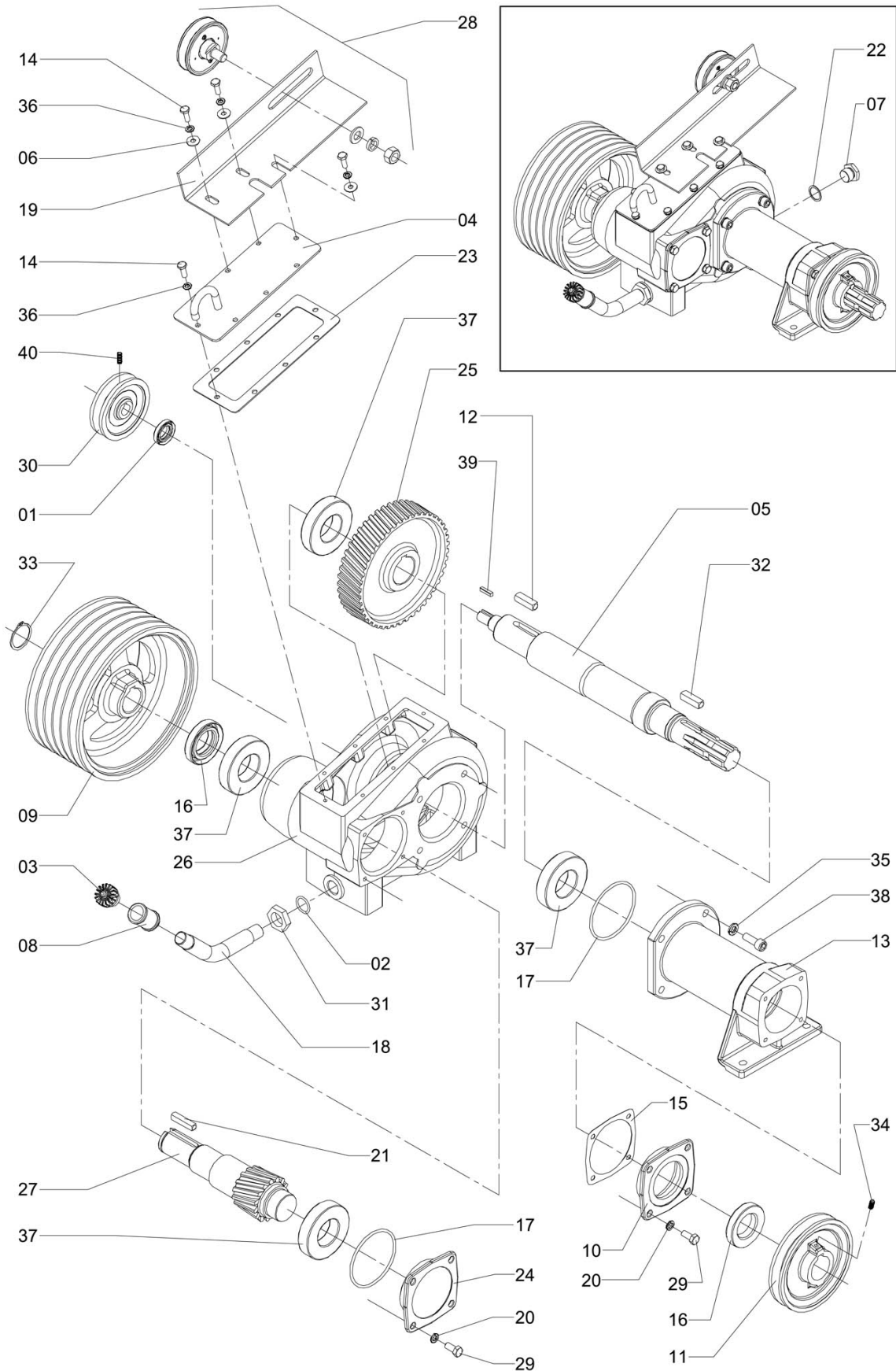
JEC-2500 COMPUTER

Continuation

Item	CODE	DESCRIPTION	Qty.	Item	CODE	DESCRIPTION	Qty.
00	278515	JEC-2500 computer	1				
01	278523	Main cable	1				
03	592147	Plastic nut for cable press PG9	1				
04	077008	Cable press	1				
05	437178	Double-throw switch with nut	2				
06	437194	Protective cap	4				
07	557835	Double throw switch	2				
08	278481	Sticker base JEC-2500	1				
09	276261	Decal "Computer Panel - JEC-2500"	1				
10	209965	Nut M3 x 0.5	4				
11	441907	Screw M3 x 0.5 x 16	4				
12	878769	Screw 3.5 x 20	4				
13	972729	Lower panel	1				
14	849331	Screw PH 3.5 x 12	12				
15	878611	Fastening claw	12				
16	910002896	Silicone round tube 4,8 x 0,9	1				
17	972711	Upper panel	1				
18	091405	Small U support	1				
19	972018	Threaded rubber bushing	2				
20	973388	Rubber washer 31	2				
21	971994	Thermoplastic knob	2				

Controlled copy – Distribution and reproduction prohibited

MULTIPLIER ASSEMBLY WITH PULLEYS



CM-12

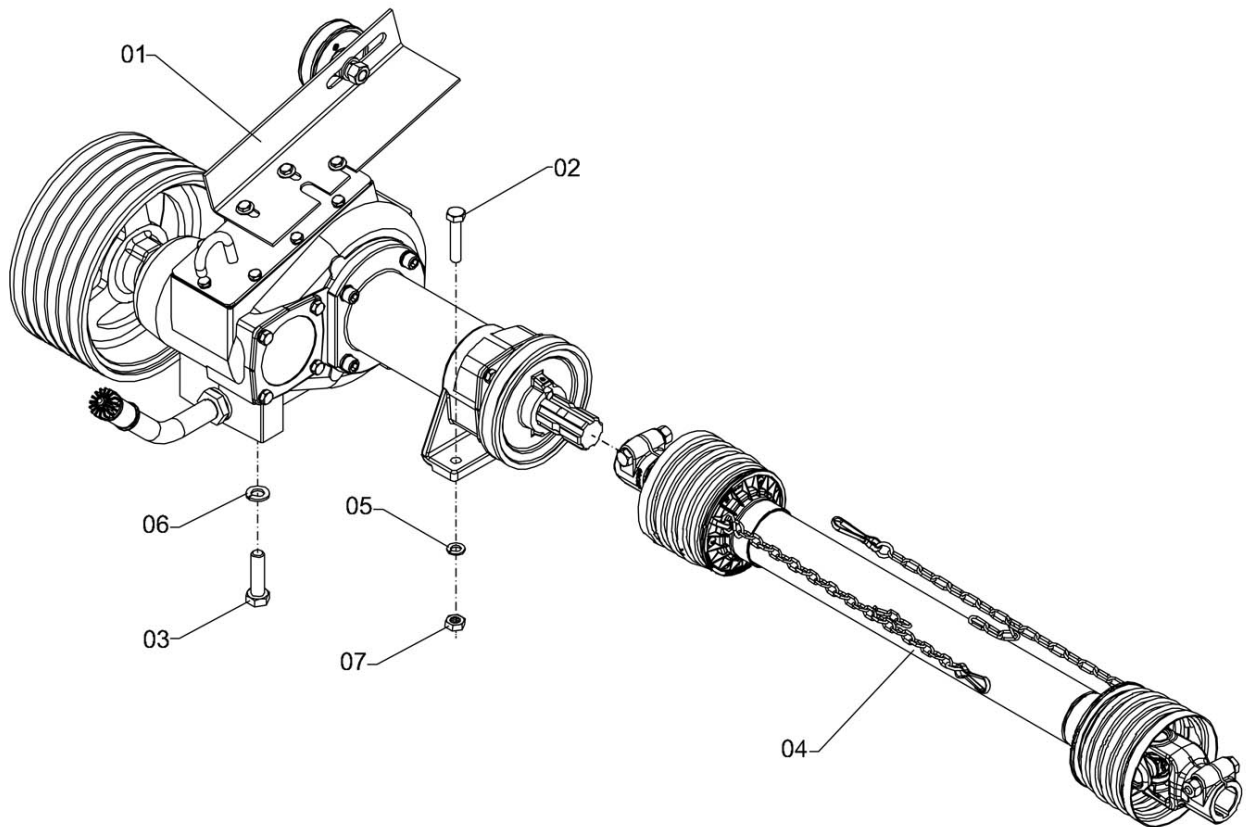
MULTIPLIER ASSEMBLY WITH PULLEYS

Continuation

Item	CODE	DESCRIPTION	Qty.	Item	CODE	DESCRIPTION	Qty.
00	164897	Multiplier assembly with pulleys	1				
01	106922	Retainer 22 x 35.2 x 7	1				
02	210146	O-ring OR1-117	1				
03	213736	Plug 1/2" BSP	1				
04	213801	Cover	1				
05	349050	Shaft 474	1				
06	413468	Flat washer 6.8 x 18 x 1.2 - stainless steel	3				
07	430116	Magnetic plug 1/2" - 14 BSP	1				
08	430553	Sleeve 1/2" BSP	1				
09	430579	Pulley 225 - 6A	1				
10	430587	Cover	1				
11	430603	Pulley 135 - 1-A	1				
12	108936	Square key 9,53 (3/8") x 35	1				
13	430629	Pillow block	1				
14	441030	Bolt 1/4" - 20 UNC x 5/8"	8				
15	516518	Packing	1				
16	516567	Retainer 40 x 62 x 7	2				
17	516575	O-ring ORI-235	2				
18	516849	Filling tube	1				
19	516930	Tightening pulley support	1				
20	519736	Lock washer	8				
21	519793	Square key - 9.53 (3/8") x 45	1				
22	625715	Flat washer 27 x 22 x 1.5	1				
23	114439	Packing	1				
24	627737	Cover	1				
25	627794	Drive gear	1				
26	627828	Gearbox body	1				
27	628552	Driven shaft	1				
28	645416	Tightening pulley assembly 78-1A (Shaft 15 x 50,5)	1				
29	663153	Hex. bolt 5/16" - 18 UNC x 3/4"	8				
30	704874	Pulley 90-1A	1				
31	715722	Lock nut 1/2" - 14 BSP	1				
32	814210	Square key 3/8" x 25	1				
33	203067	Snap ring for shaft 35	1				
34	901363	Allen bolt 1/4" - 20 UNC x 1/2"	1				
35	908566	Lock washer 3/8"	4				
36	910117	Lock washer 1/4"	8				
37	203737	Fixed bearing	4				
38	325688	Allen screw 3/8" UNC x 1"	4				
39	520213	Square key	1				
40	517565	Allen screw 1/4" - 20 UNC x 5/8"	1				

Controlled copy – Distribution and reproduction prohibited

DRIVE TRANSMISSION AND COMPLEMENTS



TMT-358

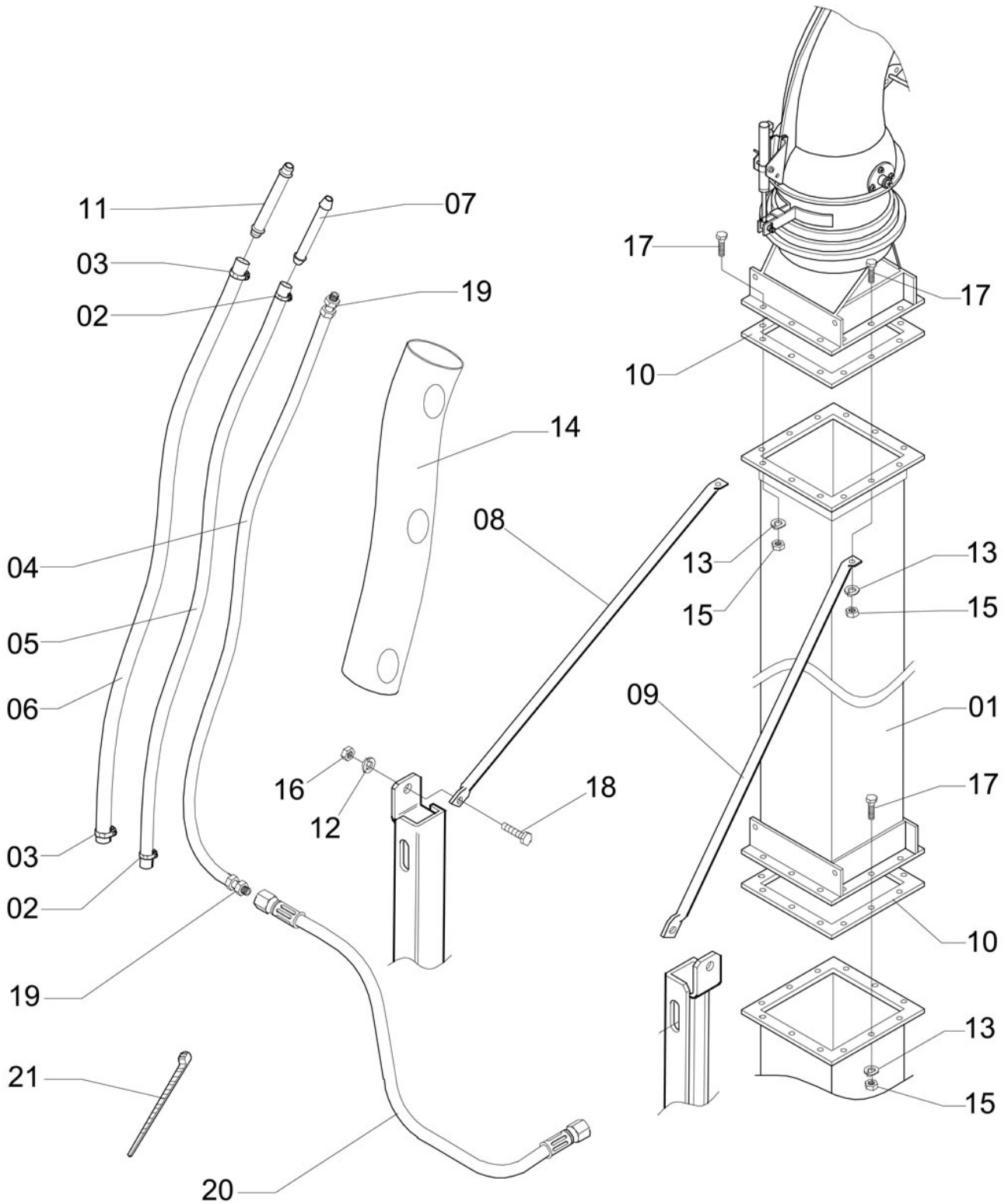
DRIVE TRANSMISSION AND COMPLEMENTS

Continuation

Item	CODE	DESCRIPTION	Qty.	Item	CODE	DESCRIPTION	Qty.
00	339267	Drive transmission and complements	1				
01	164897	Multiplier assembly with pulleys	1				
02	518753	Bolt 3/8" - 16 UNC x 1.1/4"	2				
03	621086	Bolt 1/2" - 13 UNC x 1"	2				
05	908566	Lock washer 3/8"	2				
06	908582	Lock washer 1/2"	2				
07	518761	Hex. nut 3/8"	2				

Controlled copy – Distribution and reproduction prohibited

2000 EXTENSION KIT FOR "JS-600"



KIT-191

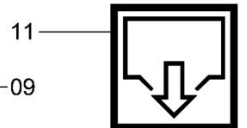
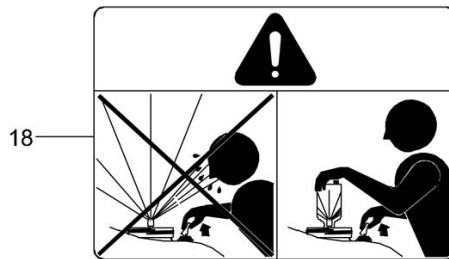
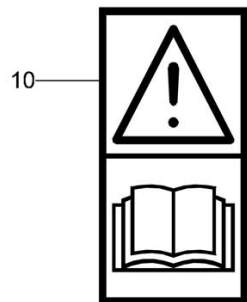
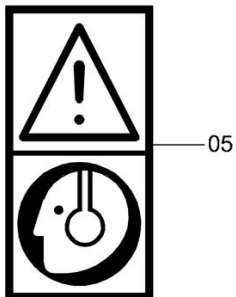
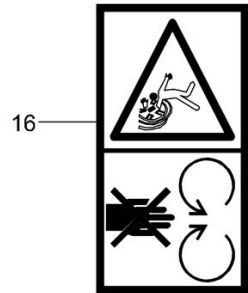
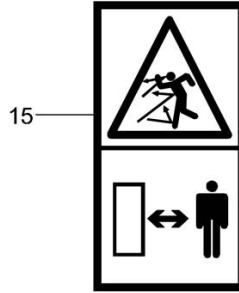
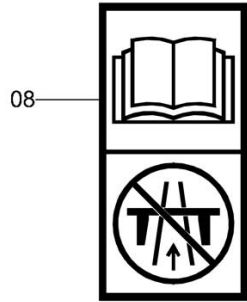
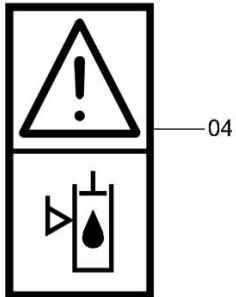
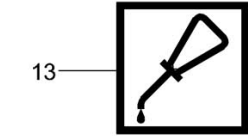
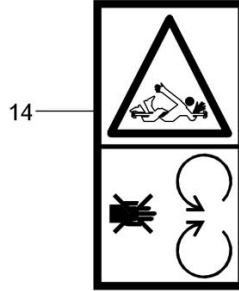
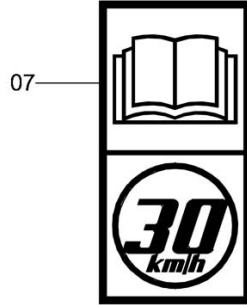
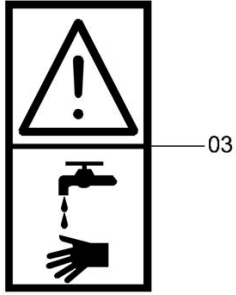
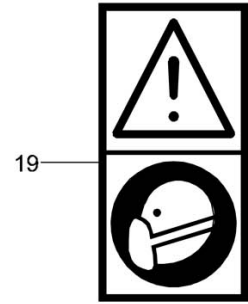
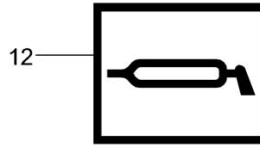
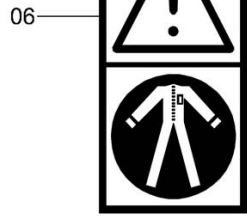
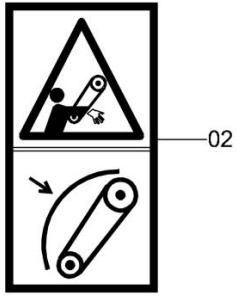
2000 EXTENSION KIT FOR "JS-600"

Continuation

Item	CODE	DESCRIPTION	Qty.	Item	CODE	DESCRIPTION	Qty.
00	440727	2000 extension kit for "JS-600"	1				
01	440552	Extension 2000	1				
02	063370	Clamp D11-16 - stainless steel	2				
03	107664	Clamp D14-22 - stainless steel	2				
04	440479	Hose MHMP-04 - 6,35 (1/4") X 2000	2				
05	440685	Hose 9.60 (3/8") x 2000 - PT 80	1				
06	440693	Hose 12.7 (1/2") x 2000 - PT 80	1				
07	440719	Double hose fitting 9.53 (3/8")	1				
08	441170	Angle brace 2057 (right)	1				
09	441188	Angle brace 2057 (left)	1				
10	519702	Packing 32 x 325 x 3.20	2				
11	719567	Double hose fitting 1/2"	1				
12	209395	Lock washer M10	4				
13	519736	Lock washer	12				
14	324723	Flexible hose - J PVC Cond. Agua 2.1/2" x 3500	1				
15	907030	Hex. nut M10 x 1.25	4				
16	810770	Hex. nut M8 x 1.25	12				
17	829382	Hex head bolt M8 x 25 x 1.25	12				
18	936146	Bolt M10 x 1.25 x 35 CL 8.8	4				
19	440701	Male union 1/2" UNF	4				
20	210674	Hose MHMP 04 - 1/4 x 2660	2				
21	323584	Hose tie	3				

Controlled copy – Distribution and reproduction prohibited

STICKERS: (J600)



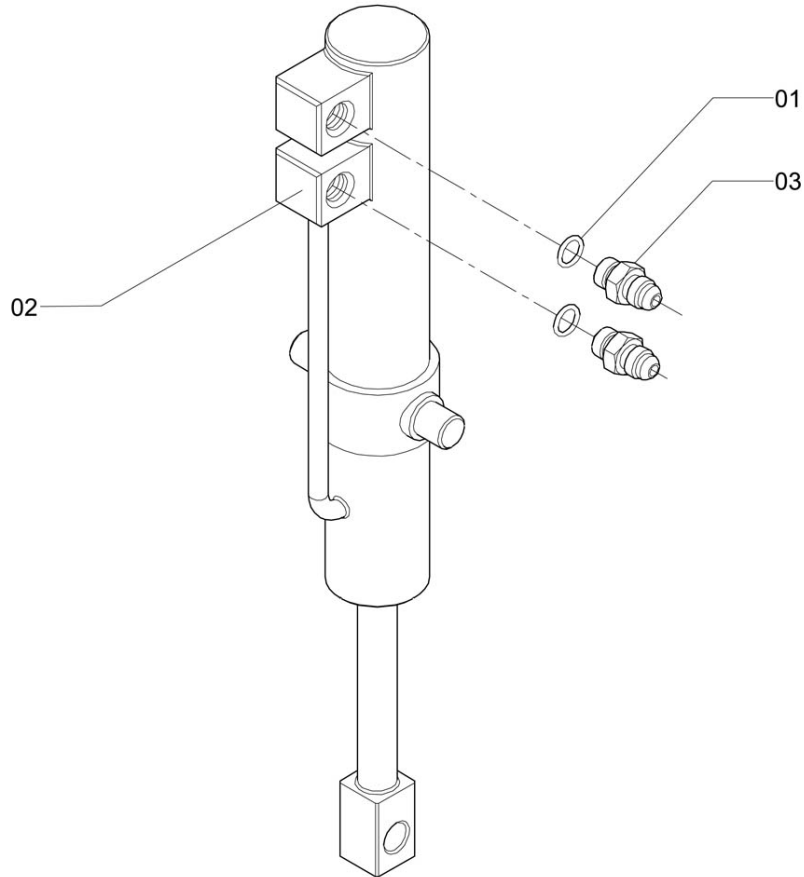
ADS-228

STICKERS: (J600)

Continuation

Item	CODE	DESCRIPTION	Qty.	Item	CODE	DESCRIPTION	Qty.
00	058734	Stickers: (J600)	1				
01	1180095	Sticker - Fan box "Band + Logo"	1				
02	379065	Decal "Keep all protection devices in their places."	1				
03	379073	Sticker: "Tank - Water for Washing Hands"	1				
04	379107	Sticker: "Hydraulic Oil Level"	1				
05	379123	Decal "Obligatory use of the hearing protector."	1				
06	379131	Decal "Obligatory use of protective clothing."	1				
07	379214	Sticker: "Maximum Speed 30 KM/H"	1				
08	379222	Decal "Attention: This machined is not allowed in highways."	1				
09	379230	Sticker: "Read Manual" Horizontal	2				
10	379248	Sticker: "Read Manual" Vertical	1				
11	389387	Sticker: "Drain Indication"	2				
12	276220	Sticker: "Lubrication Point Indication"	2				
13	395061	Sticker: "Lubrication Point Indication - Oil"	2				
14	379008	Decal "Danger - PTO Shaft"	1				
15	379040	Decal (Attention: Keep away)	1				
16	379057	Sticker: "Keep at a Distance - Fan"	1				
17	983932	Identification plate	1				
18	169128	Sticker: "Chemical container rinse nozzle"	1				
19	379115	Decal "Obligatory use of the protective mask."	1				

HYDRAULIC CYLINDER WITH NIPPLE - 160

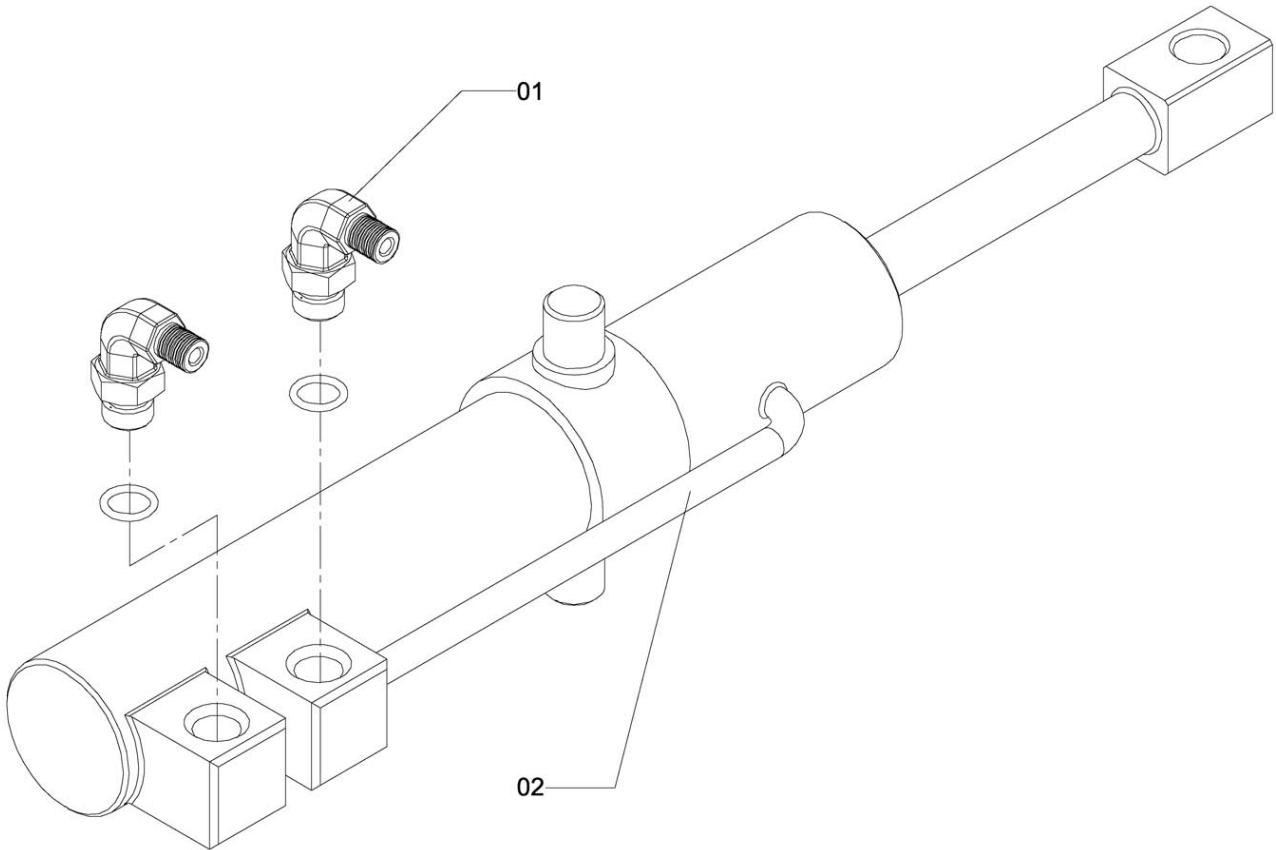


CH-631

Item	CODE	DESCRIPTION	Qty.	Item	CODE	DESCRIPTION	Qty.
00	045939	Hydraulic cylinder with nipple - 160	1				
01	426361	Packing ring 10.52 x 1.83 OR2-5	2				
02	519991	Hydraulic cylinder 32 x stroke = 160	1				
03	340083	Dosage nipple 1,50 - 37	2				
	130690	Repair kit for cylinder (Focker)	1				

Controlled copy – Distribution and reproduction prohibited

HYDRAULIC CYLINDER WITH NIPPLE - 160

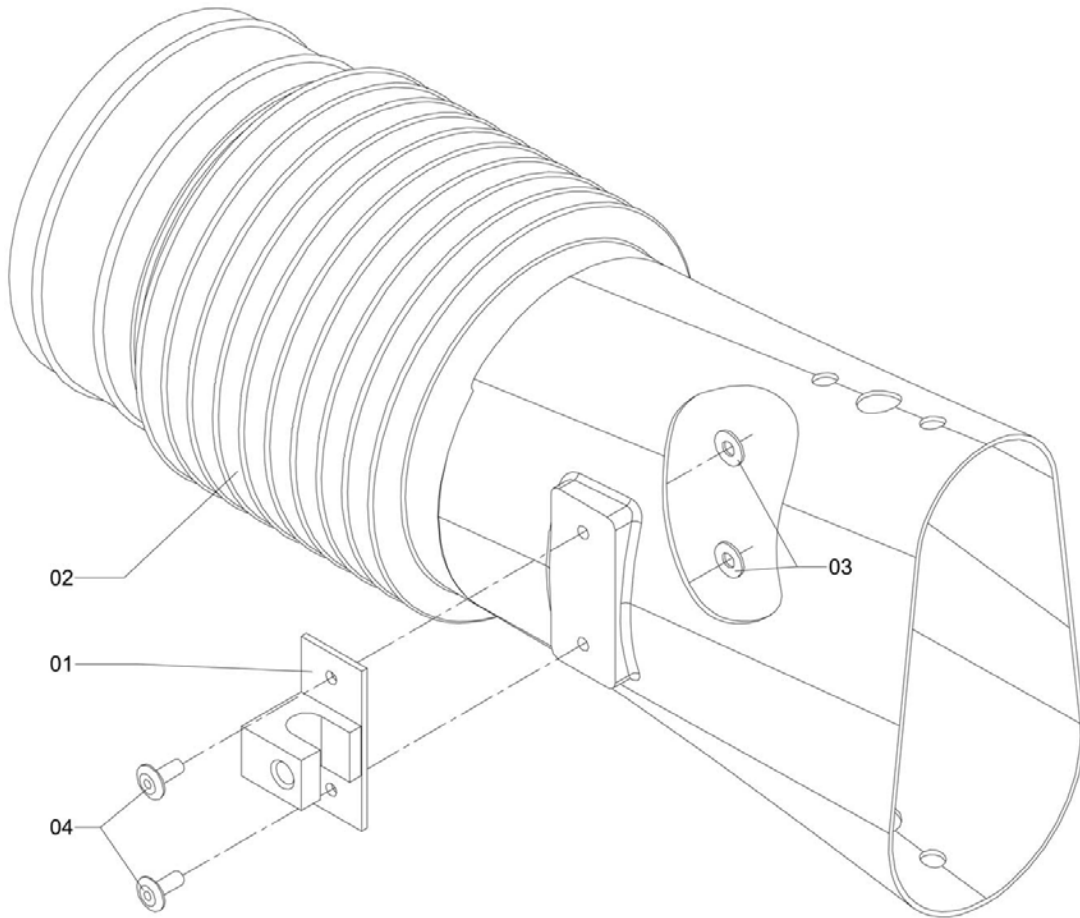


CH-641

Item	CODE	DESCRIPTION	Qty.	Item	CODE	DESCRIPTION	Qty.
00	045947	Hydraulic cylinder with nipple - 160	1				
01	520973	Male elbow - 90°	2				
02	519991	Hydraulic cylinder 32 x stroke = 160	1				
	130690	Repair kit for cylinder (Focker)	1				

Controlled copy – Distribution and reproduction prohibited

LOWER OUTLET HOSE

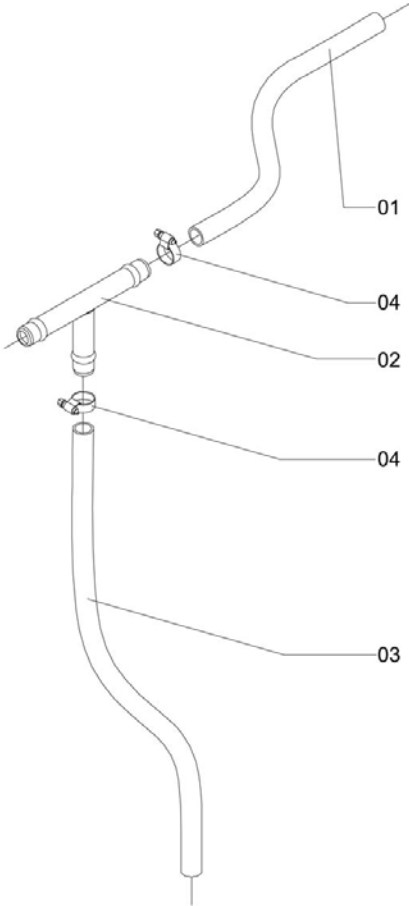


DT-24

Item	CODE	DESCRIPTION	Qty.	Item	CODE	DESCRIPTION	Qty.
00	337972	Lower outlet hose	1				
01	332601	Extension guide	1				
02	337980	Outlet hose body	1				
03	508515	Flat washer 4,3 x 10,2 x 0,8 - stainless steel	2				
04	519769	Rivet Pop - 4.0 x 10.2	2				

Controlled copy – Distribution and reproduction prohibited

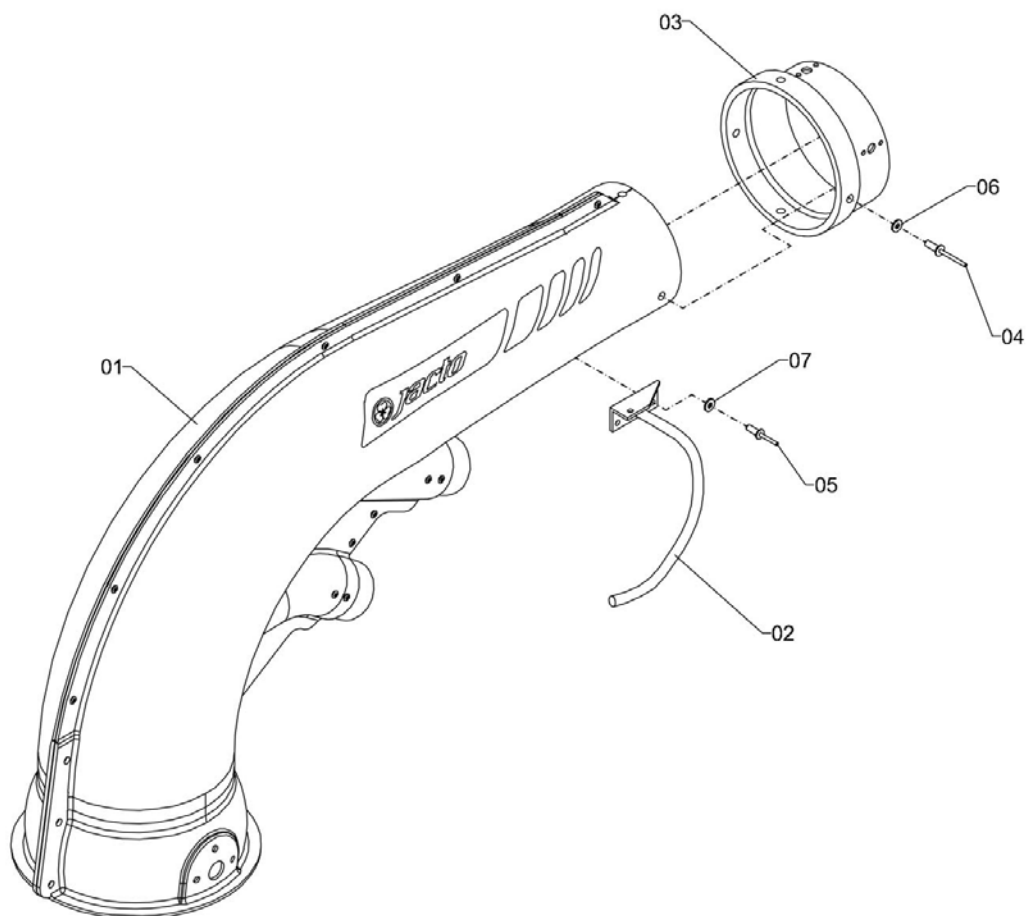
OUTLET DUCT HOSE



MD-056

Item	CODE	DESCRIPTION	Qty.	Item	CODE	DESCRIPTION	Qty.
00	695791	Outlet duct hose	1				
01	216424	Hose 9,60 3/8" x 510 PT 80	1				
02	409169	Tee fitting for hose 3/8"	1				
03	421107	Hose 3/8" x 330	1				
04	063370	Clamp D11-16 - stainless steel	2				

OUTLET DUCT

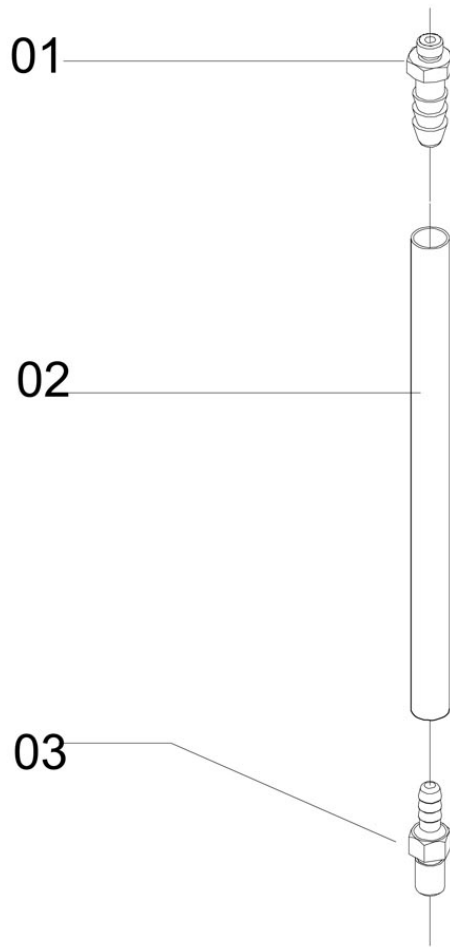


DT-23

Item	CODE	DESCRIPTION	Qty.	Item	CODE	DESCRIPTION	Qty.
00	332429	Outlet duct	1				
01	180620	Outlet duct	1				
02	332478	Upper slide	1				
03	519421	Upper coupling end (JS-600) PPH	1				
04	519785	Rivbet Pop	8				
05	215426	Rivet pop 4,8 x 21,6	3				
06	508515	Flat washer 4,3 x 10,2 x 0,8 - stainless steel	8				
07	979237	Flat washer 5,30 x 10,0 x 1,0	3				

Controlled copy – Distribution and reproduction prohibited

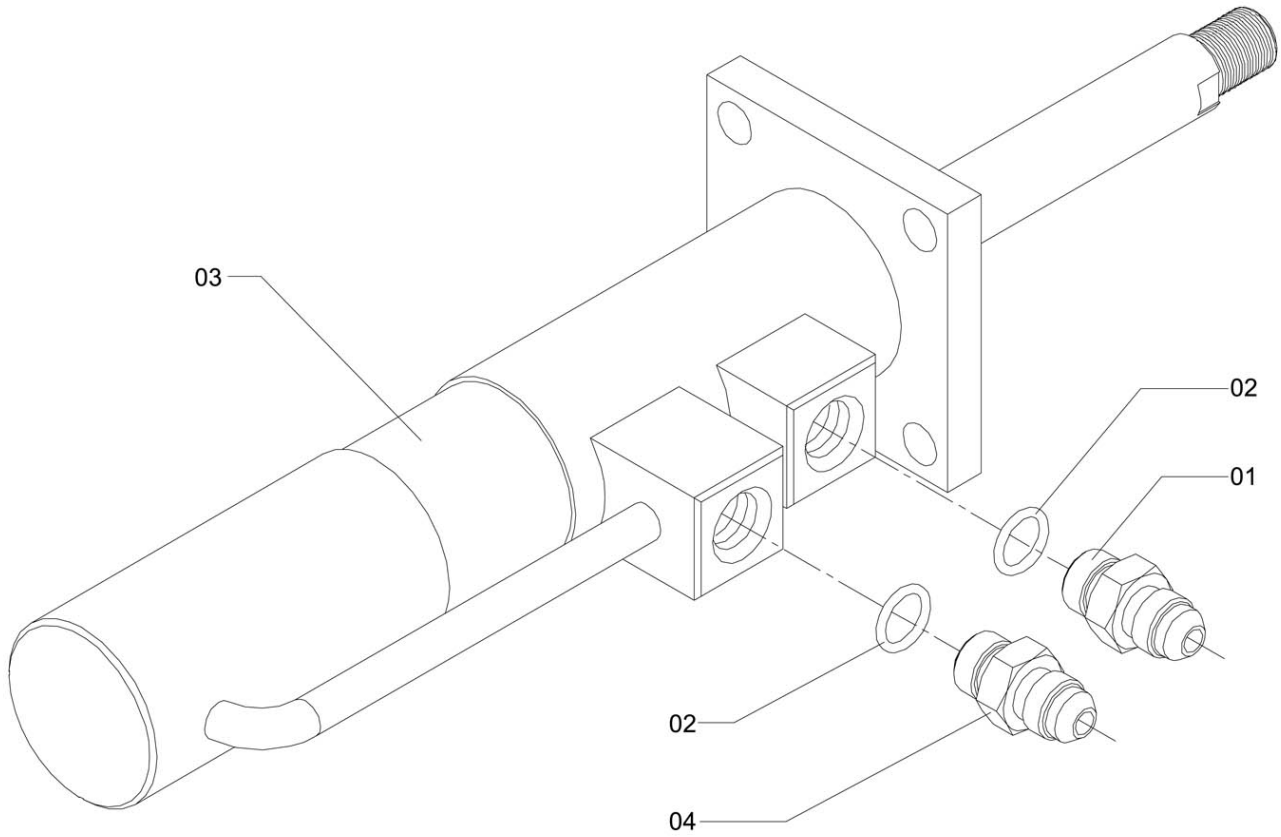
HOSE ASSEMBLY (AGITATOR 1/4" X 340)



CD-699

Item	CODE	DESCRIPTION	Qty.	Item	CODE	DESCRIPTION	Qty.
00	695759	Hose assembly (Agitator 1/4" x 340)	1				
01	426205	Male fitting for hose 1/4"	1				
02	625269	Hose 6.35 - 1/4" x 110	1				
03	426189	Fitting	1				

HYDRAULIC CYLINDER WITH NIPPLES - 32 X 100

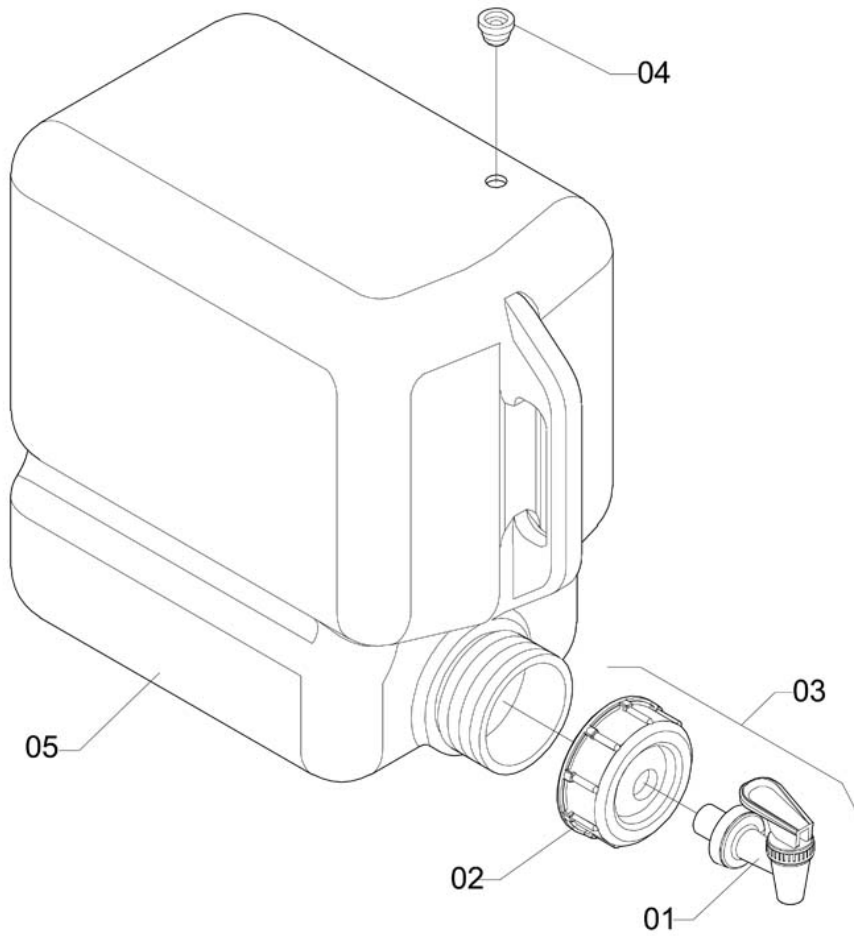


CH-642

Item	CODE	DESCRIPTION	Qty.	Item	CODE	DESCRIPTION	Qty.
00	045913	Hydraulic cylinder with nipples - 32 x 100	1				
01	340083	Dosage nipple 1,50 - 37	1				
02	426361	Packing ring 10.52 x 1.83 OR2-5	2				
03	519967	Hydraulic cylinder 32 x 100	1				
03A	130674	Repair kit	1				
04	521906	Dosage nipple 0.50	1				

Controlled copy – Distribution and reproduction prohibited

15-LITER TANK ASSEMBLY

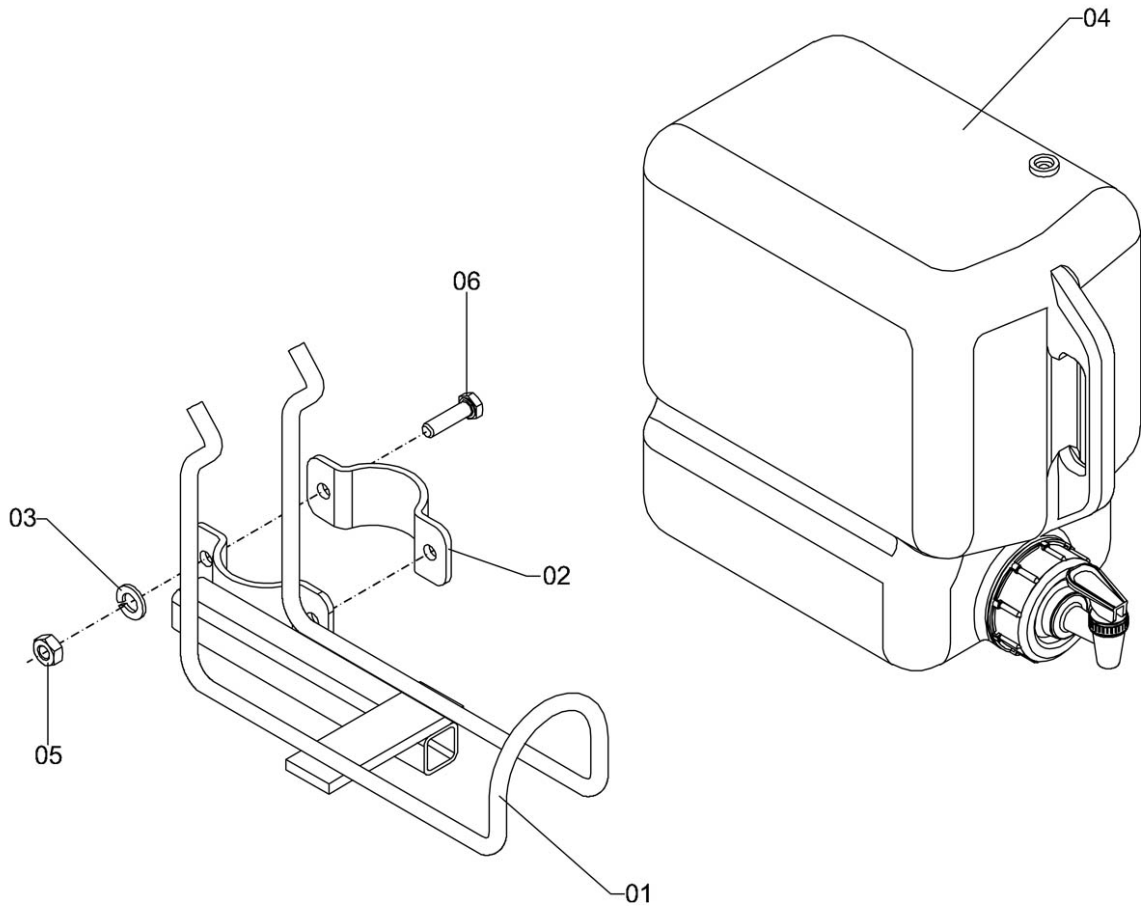


D-114

Item	CODE	DESCRIPTION	Qty.	Item	CODE	DESCRIPTION	Qty.
00	299768	15-liter tank assembly	1				
01	044180	Plastic tap 23 x 3/8" BSP	1				
02	557462	Cover	1				
03	619064	Cover with tap	1				
04	247270	Breather	1				
05	299875	15 liter tank	1				

Controlled copy – Distribution and reproduction prohibited

ASSEMBLY: 15-LITER TANK AND SUPPORT

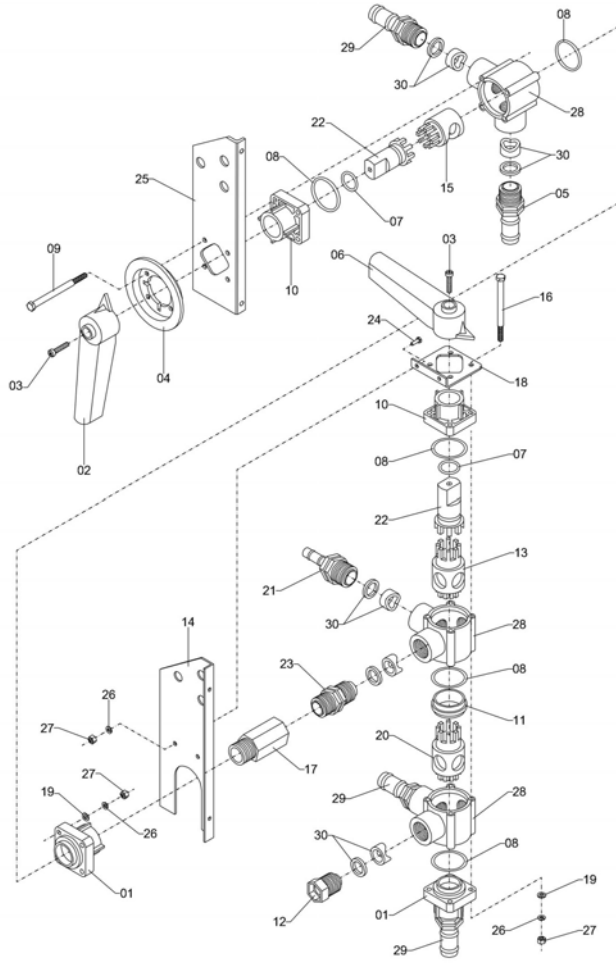


D-78

Item	CODE	DESCRIPTION	Qty.	Item	CODE	DESCRIPTION	Qty.
00	980102	Assembly: 15-liter tank and support	1				
01	136846	15-liter tank support	1				
02	206003	Semiclamp	1				
03	209395	Lock washer M10	2				
04	299768	15-liter tank assembly	1				
05	907030	Hex. nut M10 x 1.25	2				
06	757559	Hex. bolt M10 x 30 x 1.25	2				

Controlled copy – Distribution and reproduction prohibited

FLOW RATE REGULATING VALVE

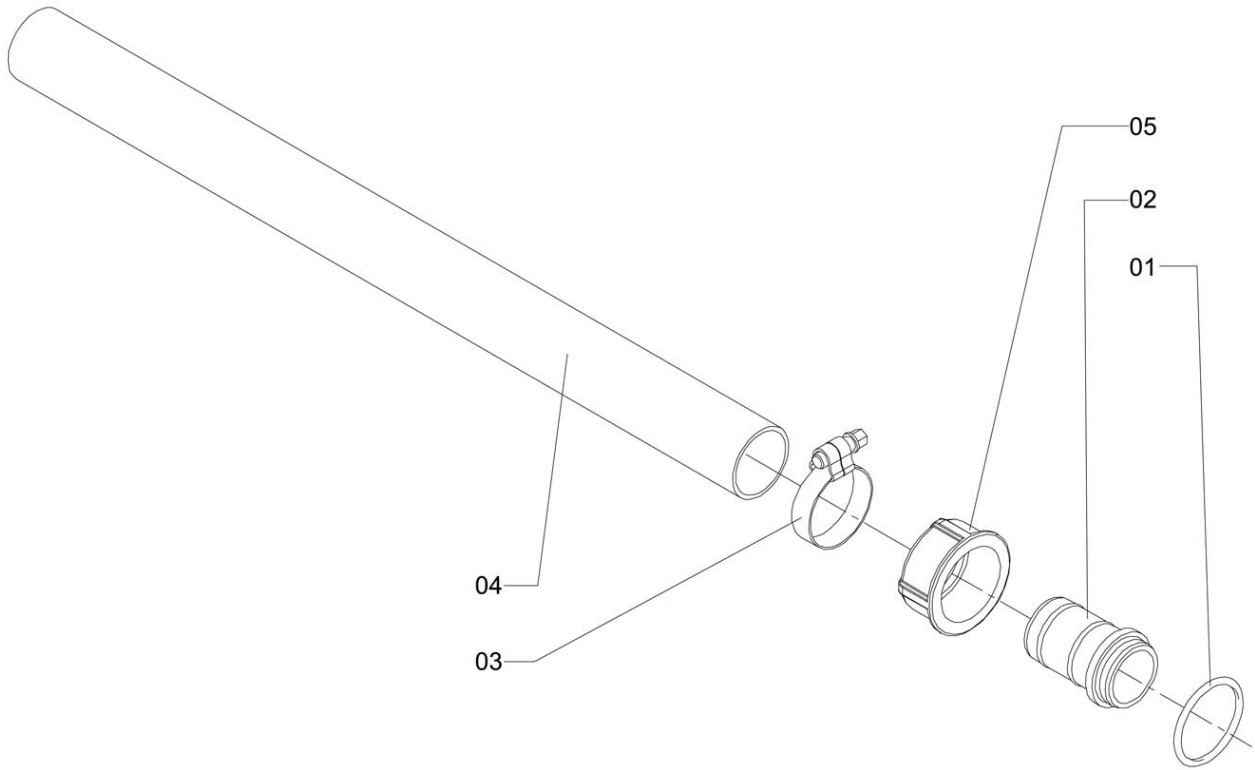


CV-41

Item	CODE	DESCRIPTION	Qty.	Item	CODE	DESCRIPTION	Qty.
00	333690	Flow rate regulating valve	1	30	211235	Seat and packing ring	6
01	200170	Valve cover 1" - BSP	2				
02	200204	Setting lever	1				
03	211227	Screw	2				
04	212134	Indicator	1				
05	212175	Fitting 1/2" x 1" BSP	1				
06	212571	Setting lever	1				
07	216192	O-ring OR1-213	2				
08	216200	O-ring ORI-132	5				
09	216218	Bolt 1/4" - 20 UNC x 2.1/2"	4				
10	322594	Valve cover	2				
11	200022	Valve guide	2				
12	325019	Plug 1" BSP	1				
13	325035	Core II	1				
14	333716	Valve base (right)	1				
15	333724	Regulator core	1				
16	333732	Bolt 1/4" - 20 UNC x 131	4				
17	333757	Extension	1				
18	333765	Support	1				
19	358267	Flat washer 64 x 125 x 16	8				
20	442616	Core I	1				
21	517797	Fitting 3/8" x 1" BSP	1				
22	200048	Valve rod	2				
23	517847	Nipple 1 BSP	1				
24	007229	Bolt 1/4" x 20 UNC x 3/4"	2				
25	732230	Valve base (left)	1				
26	910117	Lock washer 1/4"	4				
27	912741	Nut 1/4" - 20 UNC	4				
28	200121	Core body	3				
29	404459	Hose fitting 1" x 1" BSP	2				

Controlled copy – Distribution and reproduction prohibited

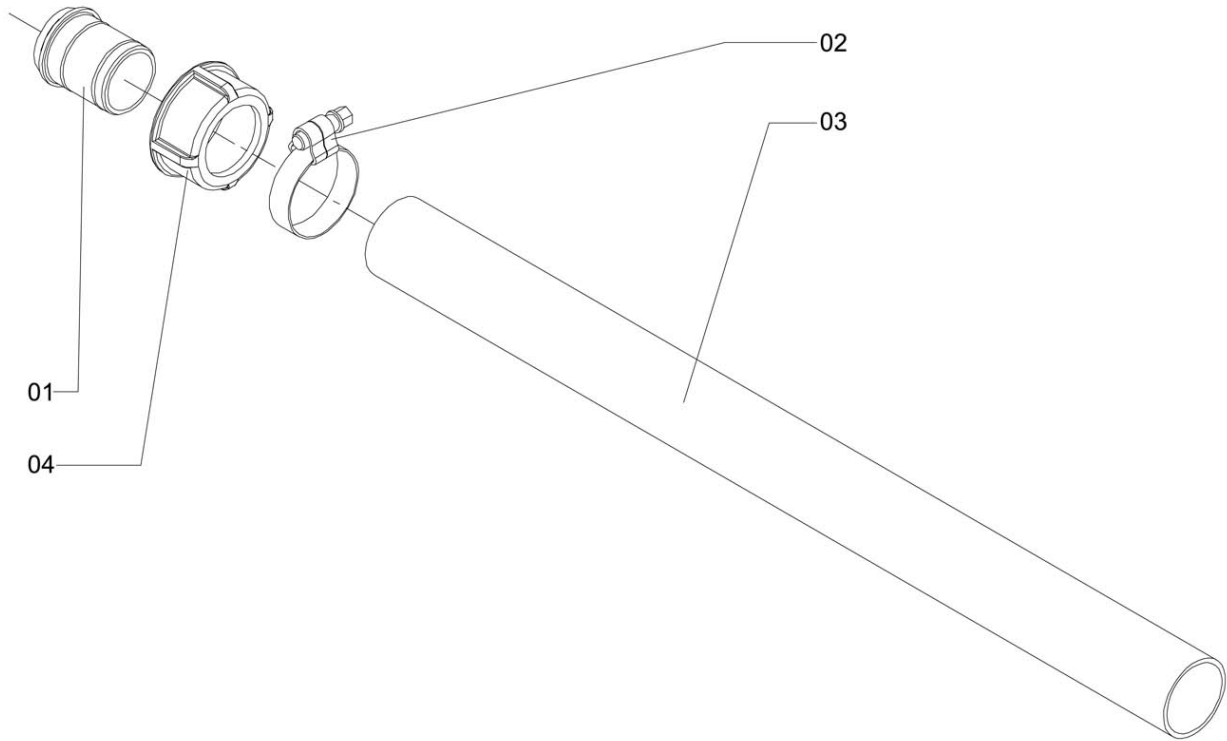
RETURN HOSE - 1" X 1300MM



MD-061

Item	CODE	DESCRIPTION	Qty.	Item	CODE	DESCRIPTION	Qty.
00	168377	Return hose - 1" x 1300mm	1				
01	402412	Lock washer 31 x 22.5 x 22.5/3.0	1				
02	404434	Hose fitting	1				
03	423814	Clamp D22-32 - stainless steel	1				
04	903385	Hose 1" x 1300	1				
05	511733	Round nut 1" BSP (40-45)	1				

HOSE - CONTROL/TANK

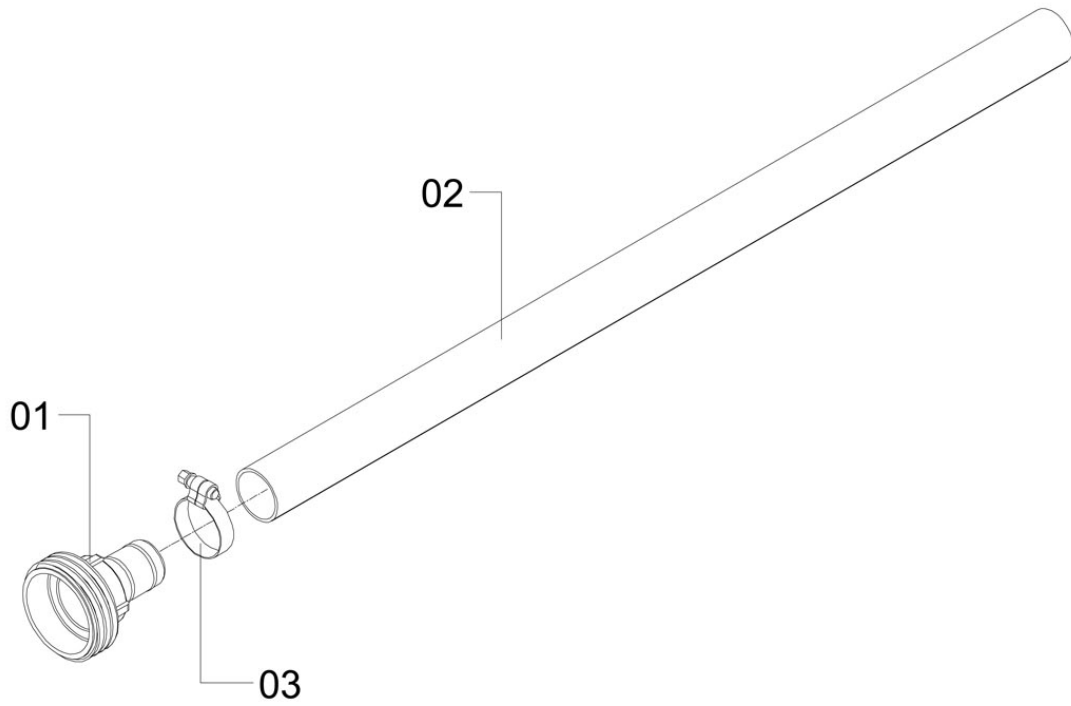


MD-060

Item	CODE	DESCRIPTION	Qty.	Item	CODE	DESCRIPTION	Qty.
00	168369	Hose - Control/Tank	1				
01	208777	Hose fitting 1" x 33	1				
02	423814	Clamp D22-32 - stainless steel	1				
03	559252	Flexible hose - 1" x 1500mm	1				
04	005884	Nut 1.1/4" BSP	1				

Controlled copy – Distribution and reproduction prohibited

HOSE - FILTER/TANK

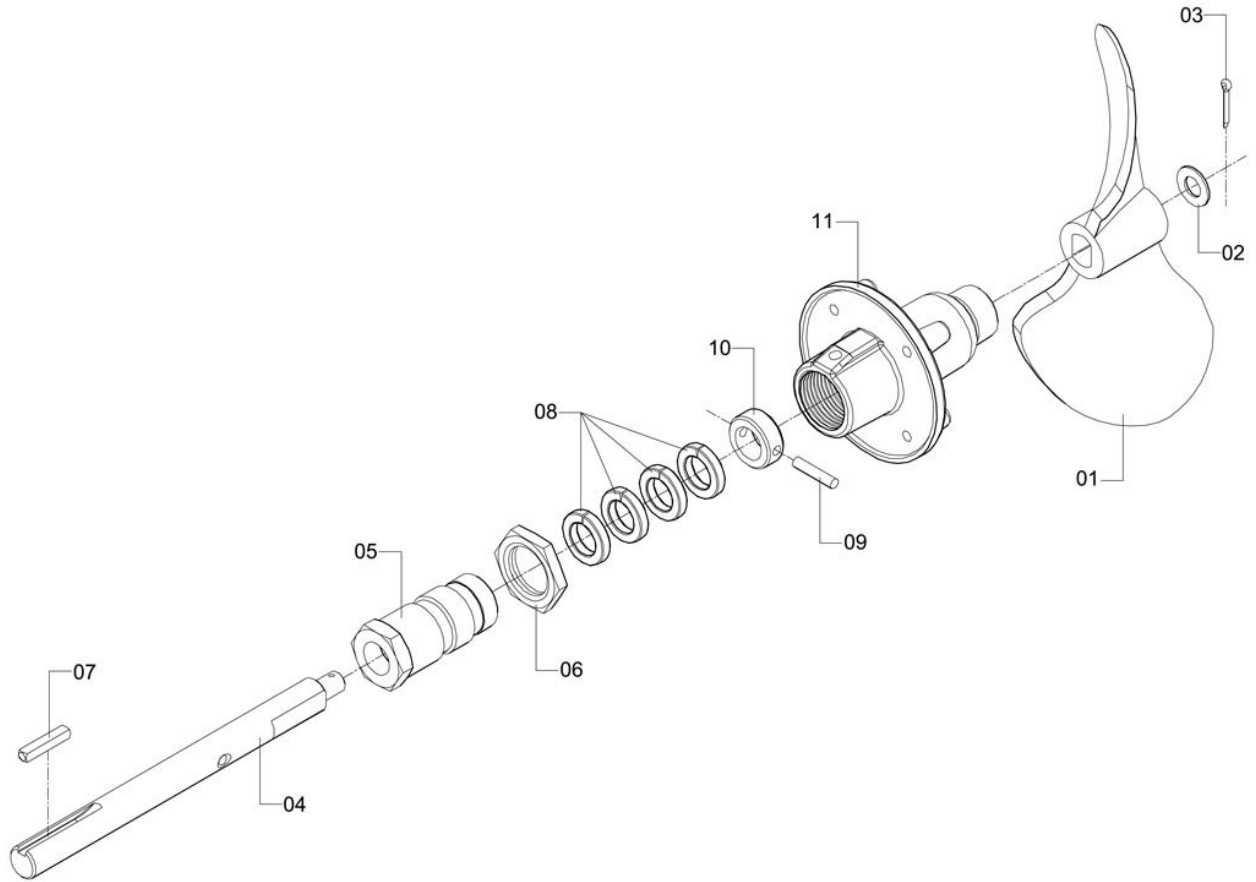


CD-739

Item	CODE	DESCRIPTION	Qty.	Item	CODE	DESCRIPTION	Qty.
00	168393	Hose - Filter/Tank	1				
01	005926	Plastic extension 1.1/4"	1				
02	206748	Hose 1.1/4" x 470	1				
03	330969	Clamp D25-38 - stainless steel	1				

Controlled copy – Distribution and reproduction prohibited

MECHANICAL AGITATOR N. 8

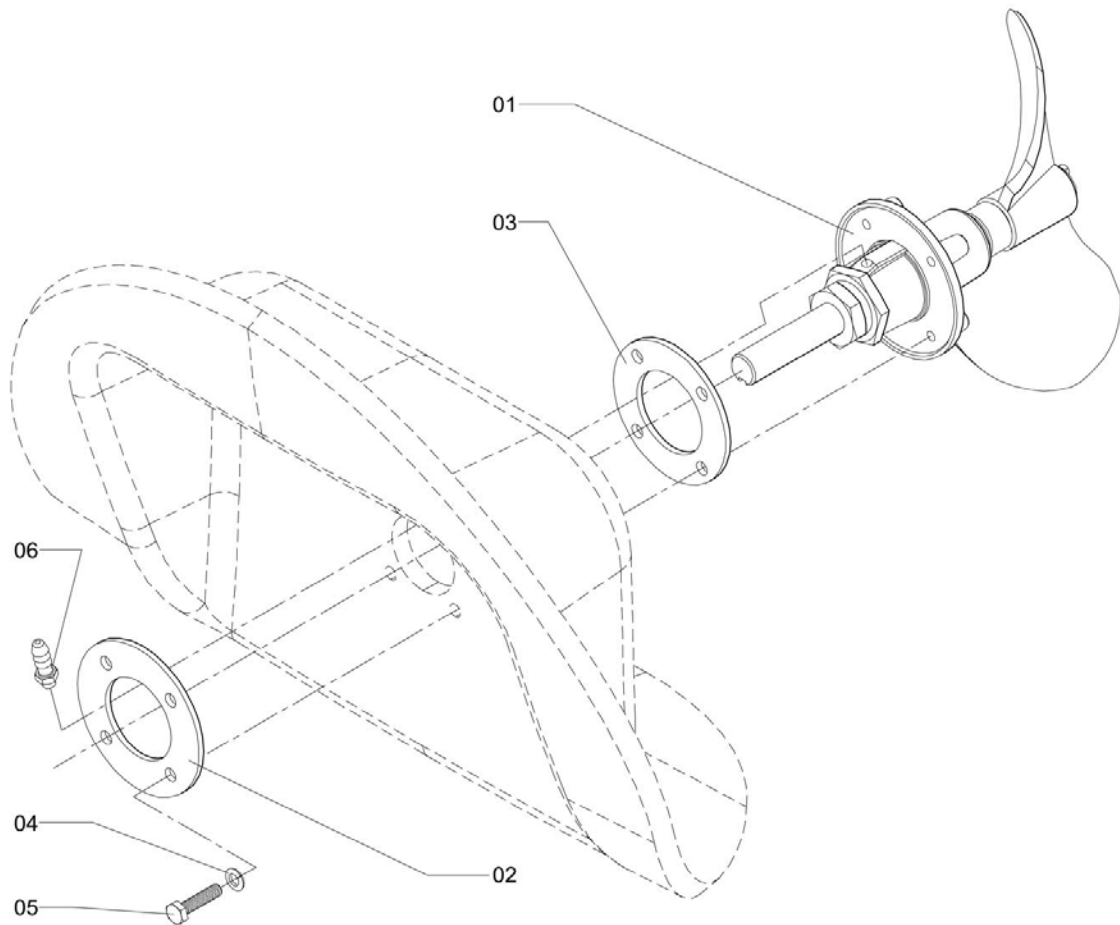


MM-35

Item	CODE	DESCRIPTION	Qty.	Item	CODE	DESCRIPTION	Qty.
00	163352	Mechanical agitator n. 8	1				
01	517581	Propeller	1				
02	973313	Flat washer 10.5 x 21 x 2 - stainless steel	1				
03	1148305	Counterpin 2.5 x 16 DIN 94 (stainless)	1				
04	517607	Shaft	1				
05	517623	Gasket tightener	1				
06	744771	Hex. nut M28 x 2.00	1				
07	405597	Square key 4.75 (3/16") x 28	1				
08	517672	Gasket 3/16" x 70	4				
09	517680	Pin 3/16" x 24	1				
10	517698	Seat bushing 1" x 10	1				
11	517664	Agitator body (machined part)	1				

Controlled copy – Distribution and reproduction prohibited

MECHANICAL AGITATOR NO. 3

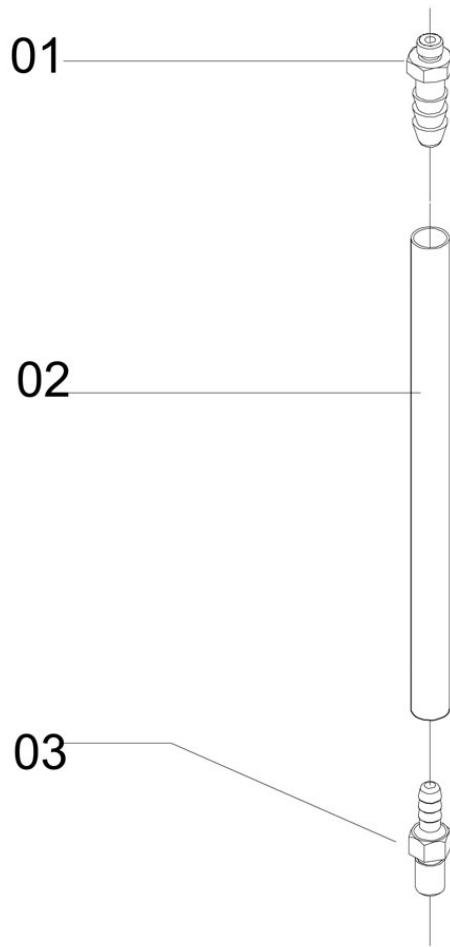


MM-39

Item	CODE	DESCRIPTION	Qty.	Item	CODE	DESCRIPTION	Qty.
00	517573	Mechanical agitator no. 3	1				
01	163352	Mechanical agitator n. 8	1				
02	517631	Flange 80	1				
03	517649	Rubber seal 74	1				
04	521666	Lock washer 5 - stainless steel	4				
05	810697	Bolt M6 x 1 x 20 CL8.8	4				
06	426205	Male fitting for hose 1/4"	1				

Controlled copy – Distribution and reproduction prohibited

HOSE ASSEMBLY (AGITATOR 1/4" X 340)

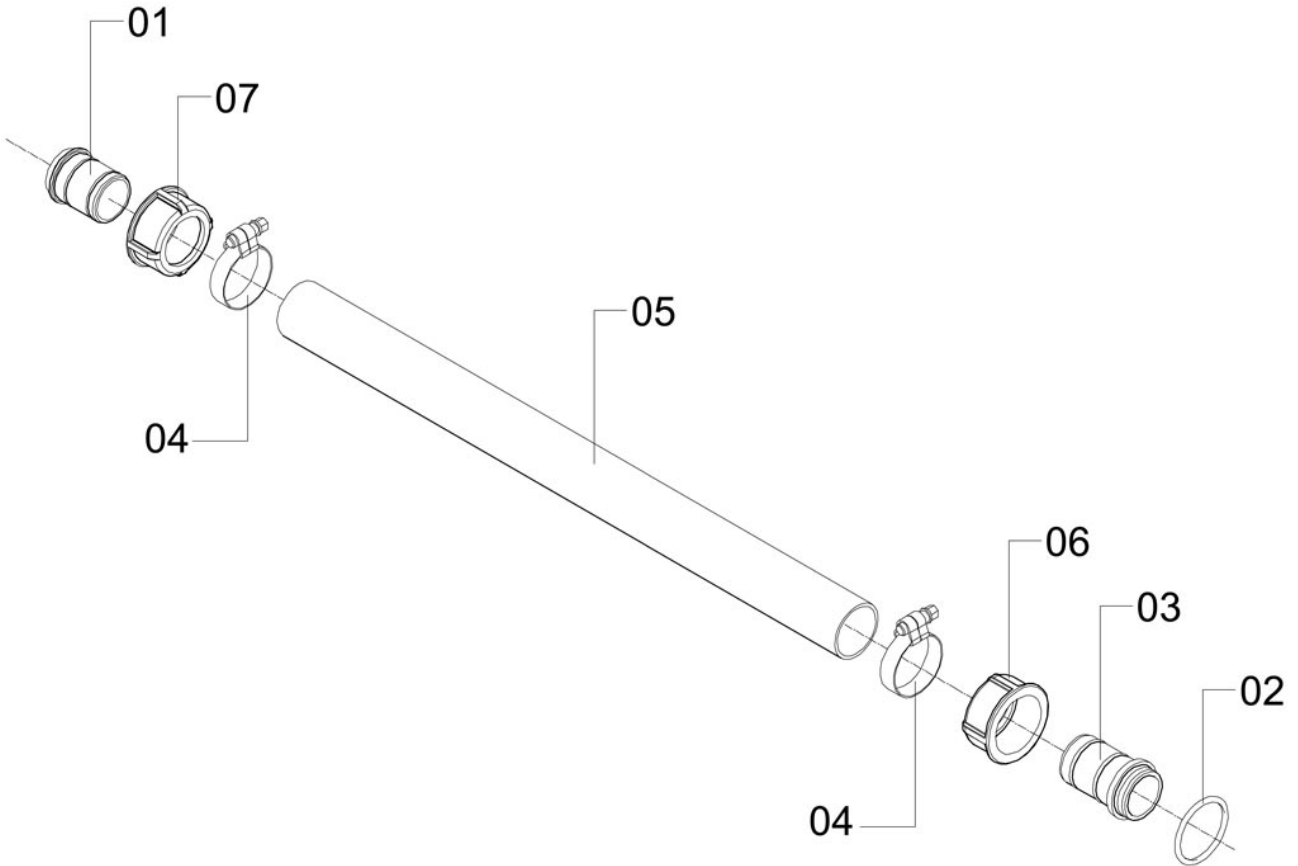


CD-699

Item	CODE	DESCRIPTION	Qty.
00	050385	Hose assembly (Agitator 1/4" x 340)	1
01	426205	Male fitting for hose 1/4"	1
02	517920	Hose 1/4" x 340	1
03	426189	Fitting	1

Item	CODE	DESCRIPTION	Qty.

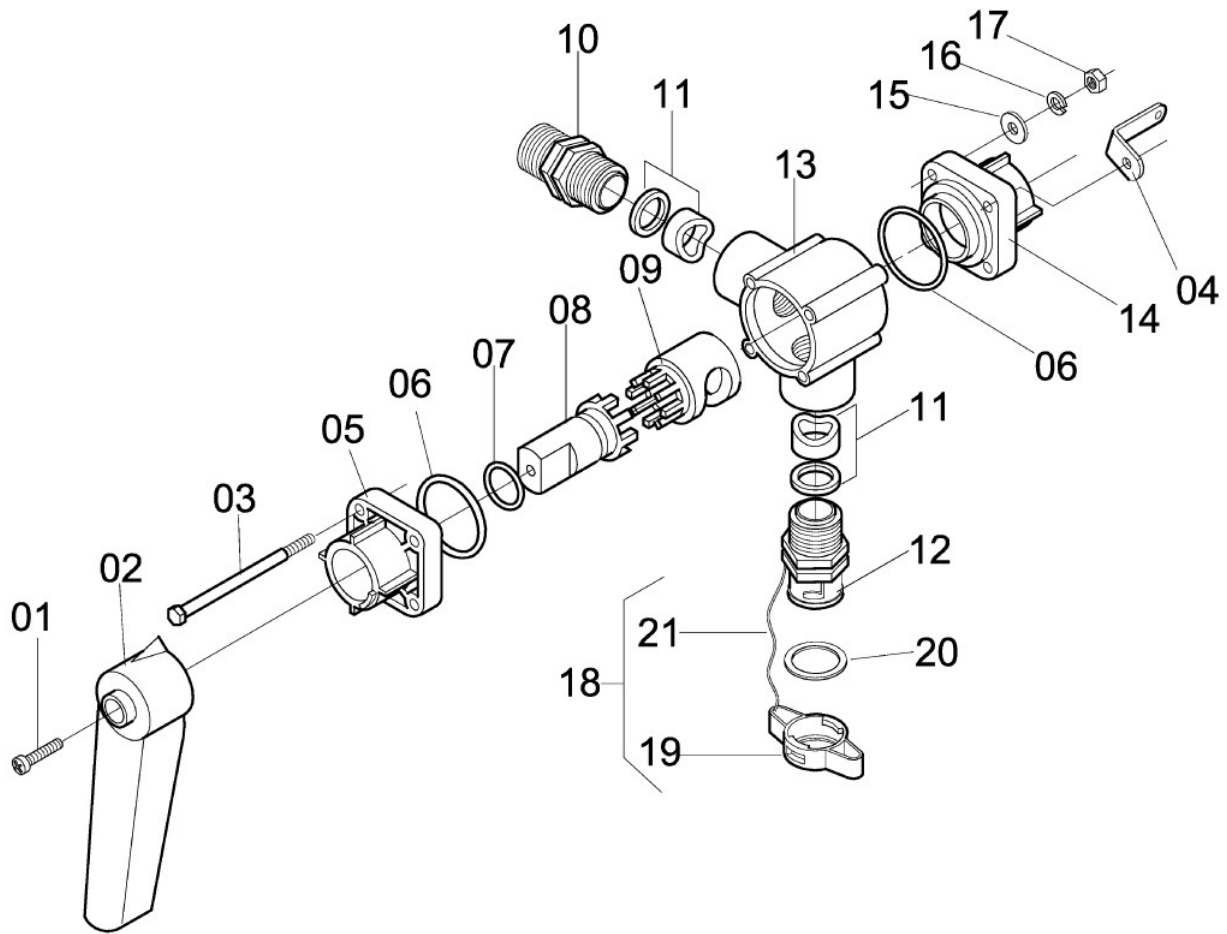
HOSE - FILTER / PUMP



CD-772

Item	CODE	DESCRIPTION	Qty.	Item	CODE	DESCRIPTION	Qty.
00	168351	Hose - Filter / Pump	1				
01	905497	Hose 1" x 750	1				
02	208777	Hose fitting 1" x 33	1				
03	402412	Lock washer 31 x 22.5 x 22.5/3.0	1				
04	404434	Hose fitting	1				
05	423814	Clamp D22-32 - stainless steel	2				
06	511733	Round nut 1" BSP (40-45)	1				
07	005884	Nut 1.1/4" BSP	1				

3-WAY REGULATING VALVE

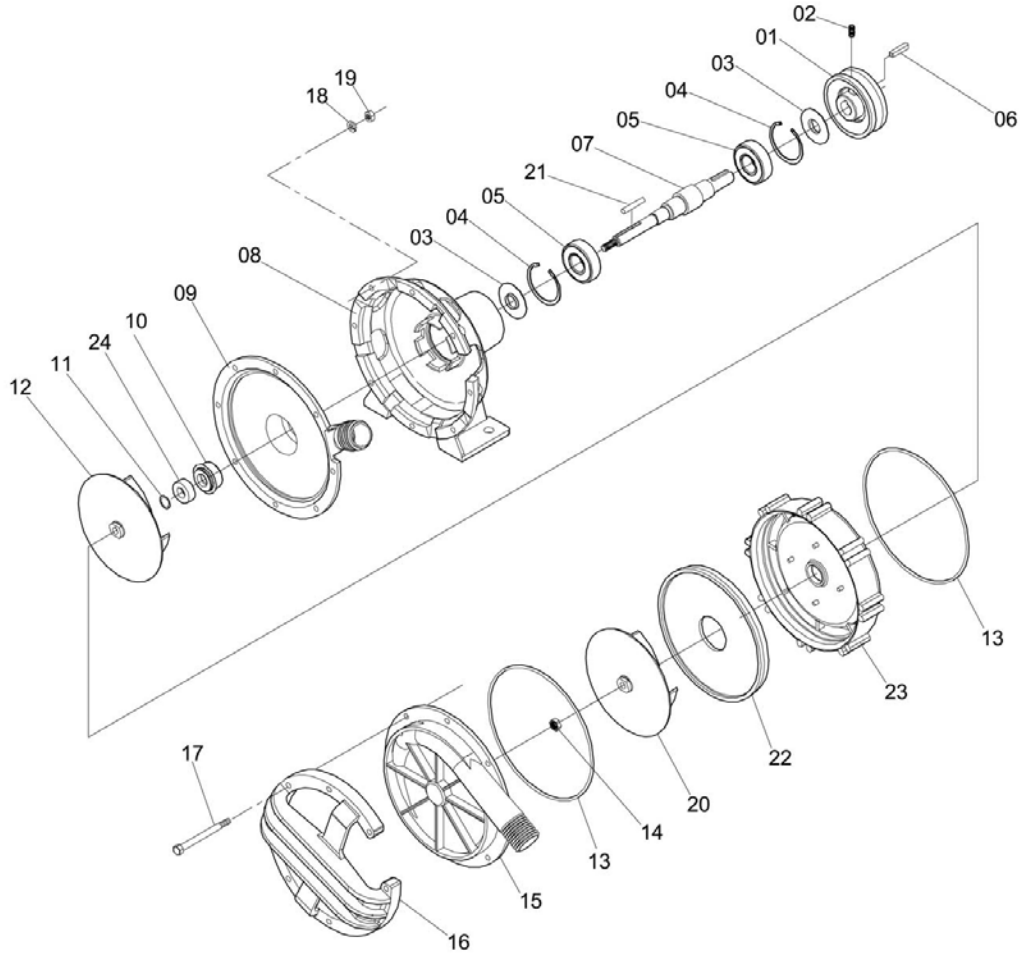


CV-25

Item	CODE	DESCRIPTION	Qty.	Item	CODE	DESCRIPTION	Qty.
00	517821	3-way regulating valve	1				
01	912642	Screw 1/4" UNC x 5/8"	1				
02	212571	Setting lever	1				
03	216218	Bolt 1/4" - 20 UNC x 2.1/2"	4				
04	517839	Bracket	1				
05	322594	Valve cover	1				
06	216200	O-ring ORI-132	2				
07	216192	O-ring OR1-213	1				
08	200048	Valve rod	1				
09	200014	Regulator core	1				
10	517847	Nipple 1 BSP	1				
11	211235	Seat and packing ring	2				
12	206177	Coupling body 1"	1				
13	200121	Core body	1				
14	200170	Valve cover 1" - BSP	1				
15	413468	Flat washer 6.8 x 18 x 1.2 - stainless steel	4				
16	910117	Lock washer 1/4"	4				
17	912741	Nut 1/4" - 20 UNC	4				
18	614289	Plug with nylon yarn	1				
19	614297	Plug	1				
20	206185	Packing ring 32.8 x 6.00	1				
21	228916	Nylon yarn 1.00 x 220	1				

Controlled copy – Distribution and reproduction prohibited

CENTRIFUGAL PUMP BC-1143 (DUAL STAGE - SERIES 4)

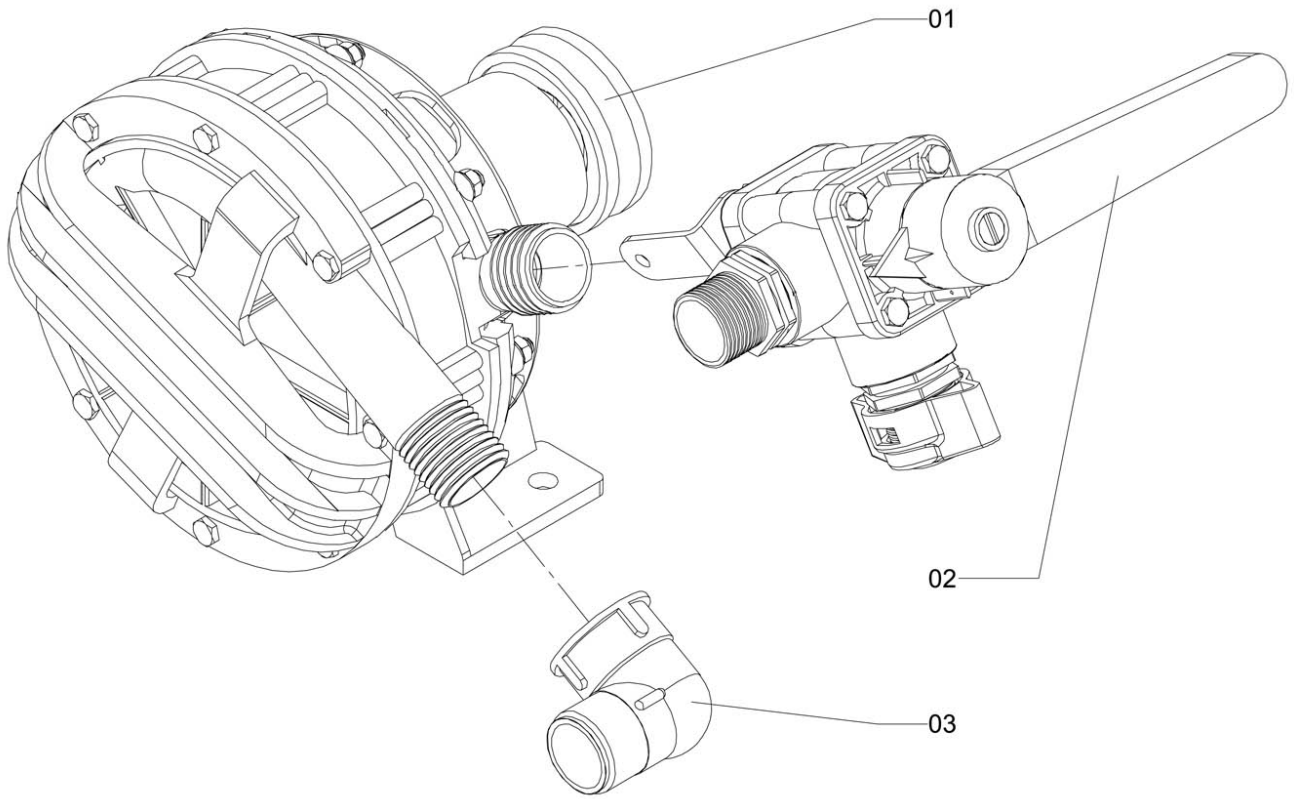


B-174

Item	CODE	DESCRIPTION	Qty.	Item	CODE	DESCRIPTION	Qty.
00	337964	Centrifugal pump BC-1143 (dual stage - series 4)	1				
01	704874	Pulley 90-1A	1				
02	901363	Allen bolt 1/4" - 20 UNC x 1/2"	1				
03	707067	Bearing protector	2				
04	901371	Snap ring for hole 47	2				
05	901389	Fixed bearing no. 6204 DDU	2				
06	901355	Square key 3/16" x 22	1				
07	340406	Pump shaft	1				
08	019182	Pump housing	1				
09	703132	Pump body I	1				
10	932038	Mechanic seal - Viton 42012 - stainless steel	1				
11	901405	O-ring ORI-014	1				
12	340372	Pump rotor I	1				
13	901413	O-ring ORI-258	2				
14	815829	Hex. nut 3/8" - 16 UNC	1				
15	703140	Pump body II	1				
16	901850	Pump cover	1				
17	216218	Bolt 1/4" - 20 UNC x 2.1/2"	8				
18	910117	Lock washer 1/4"	8				
19	912741	Nut 1/4" - 20 UNC	8				
20	901348	Pump rotor	1				
21	340414	Square key 3 x 20	1				
22	054304	Output Separator	1				
23	973396	Output spacer	1				
24	815175	Sealer seat	1				

Controlled copy – Distribution and reproduction prohibited

CENTRIFUGAL PUMP WITH 3-WAY VALVE

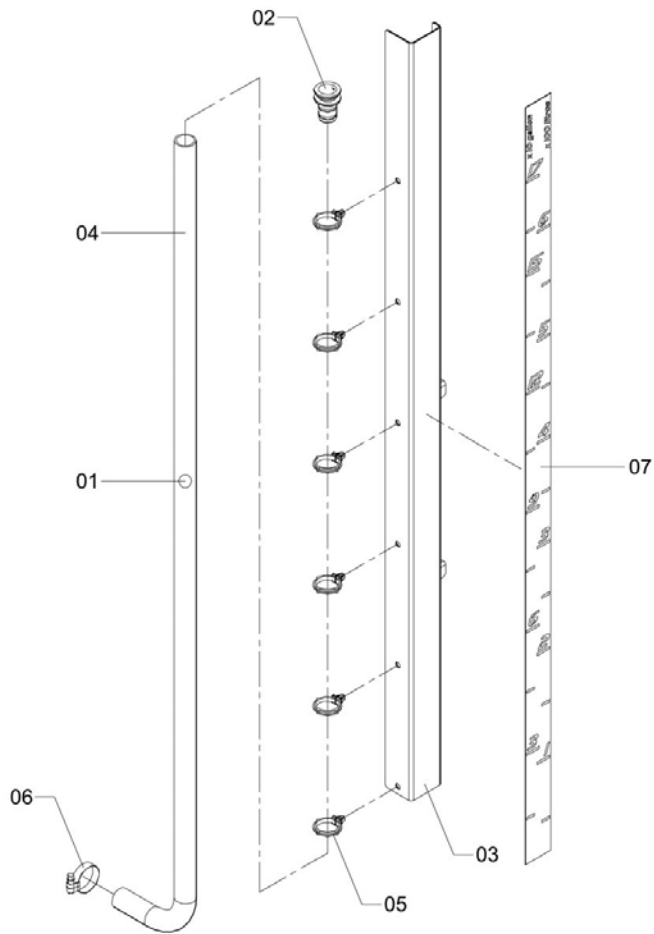


B-173

Item	CODE	DESCRIPTION	Qty.	Item	CODE	DESCRIPTION	Qty.
00	164871	Centrifugal pump with 3-way valve	1				
01	337964	Centrifugal pump BC-1143 (dual stage - series 4)	1				
02	517821	3-way regulating valve	1				
03	902817	Male/female elbow 1" BSP x 90°	1				

Controlled copy – Distribution and reproduction prohibited

LEVEL INDICATOR 5

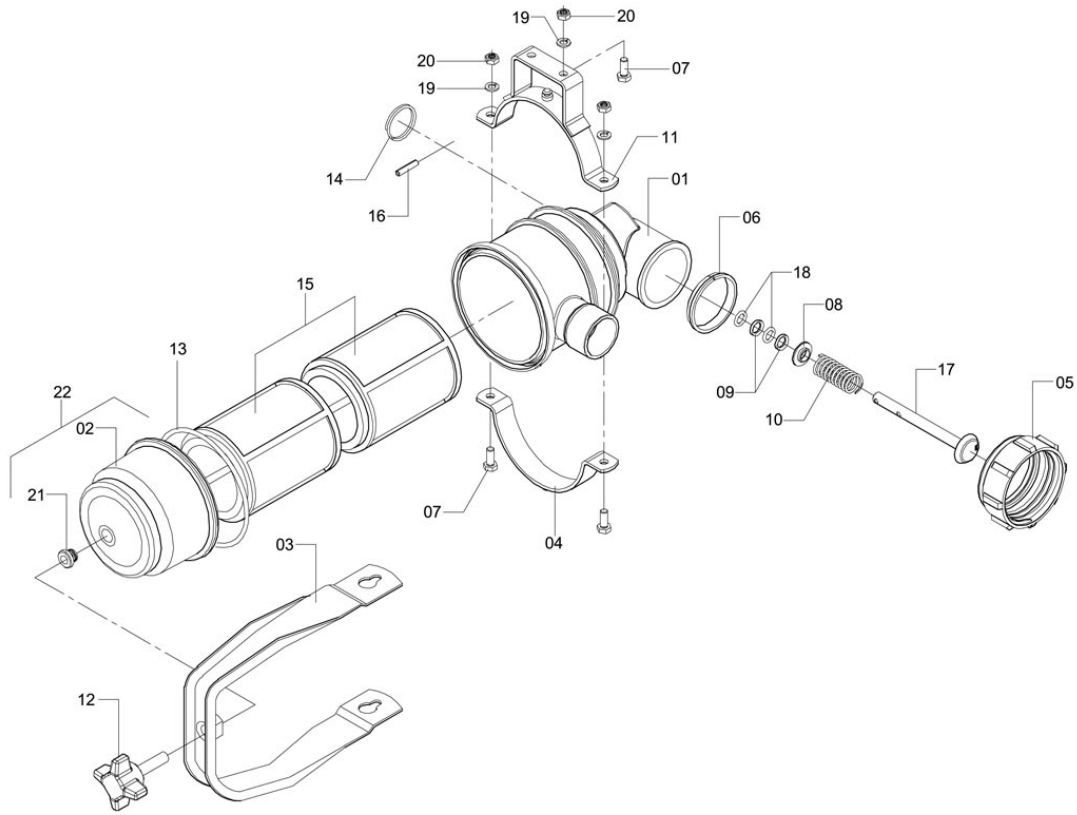


MN-74

Item	CODE	DESCRIPTION	Qty.	Item	CODE	DESCRIPTION	Qty.
00	716670	Level indicator 5	1				
01	324764	Float 14	1				
02	537381	Plug	1				
03	716688	Level indicator body	1				
04	717199	Hose 3/4" x 1060	1				
05	546598	Hose clip 22/25	6				
06	423814	Clamp D22-32 - stainless steel	1				
07	1202989	Sticker - Level meter - 600L	1				

Controlled copy – Distribution and reproduction prohibited

100-LITER SUCTION FILTER WITH VALVE

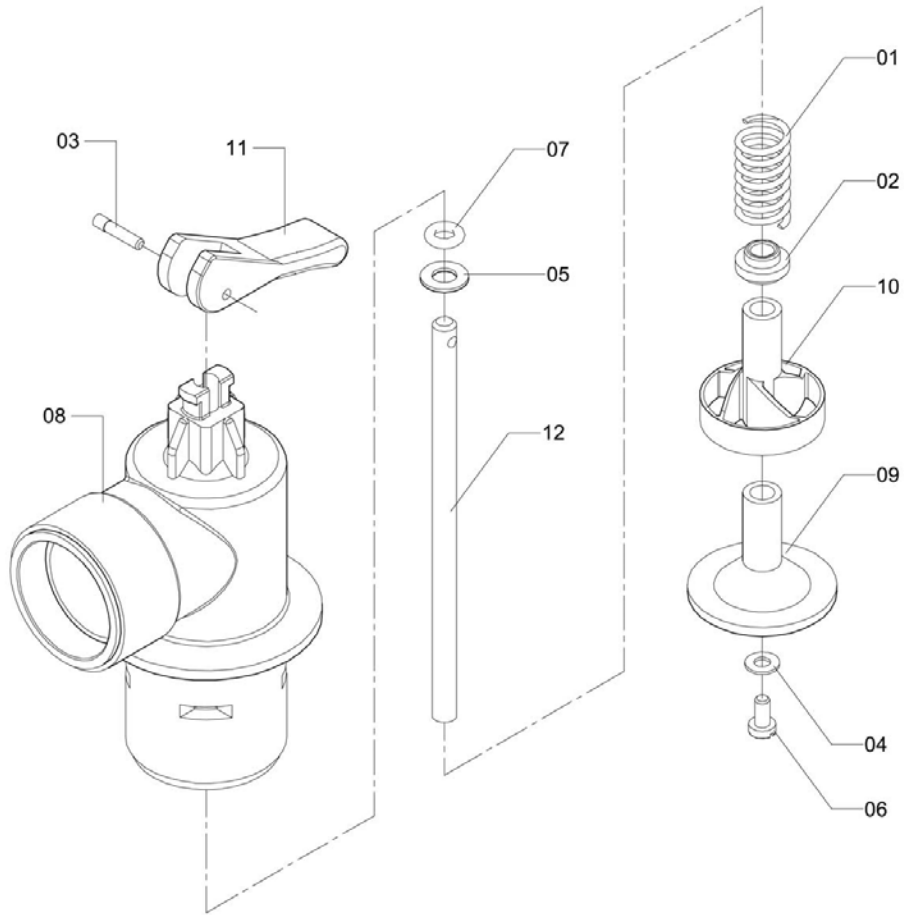


F-66

Item	CODE	DESCRIPTION	Qty.	Item	CODE	DESCRIPTION	Qty.
00	613596	100-liter suction Filter with Valve	1				
01	005785	Filter body	1				
02	006007	Cap FVS 100	1				
03	005827	Filter handle	1				
04	005850	Half-strap	1				
05	005900	Coupling nut filter	1				
06	005918	Locking ring	1				
07	810697	Bolt M6 x 1 x 20 CL8.8	4				
08	005967	Spring seat	1				
09	005975	Spacer washer	2				
10	006148	Compression spring	1				
11	010967	Half-strap with support	1				
12	011734	Bolt with knob	1				
13	012138	O-ring ORI - 241	1				
14	012146	Ring 40	1				
15	613604	Double filtering element	1				
16	105288	Flexible pin 4 x 20 (heavy)	1				
17	110817	Valve	1				
18	416669	O-ring OR1-110	2				
19	521666	Lock washer 5 - stainless steel	4				
20	730309	Hex. nut M6 x 1.00 - Steel	4				
21	006015	Valve seat	1				
22	005793	Filter cover	1				

Controlled copy – Distribution and reproduction prohibited

DIRECTIONAL VALVE

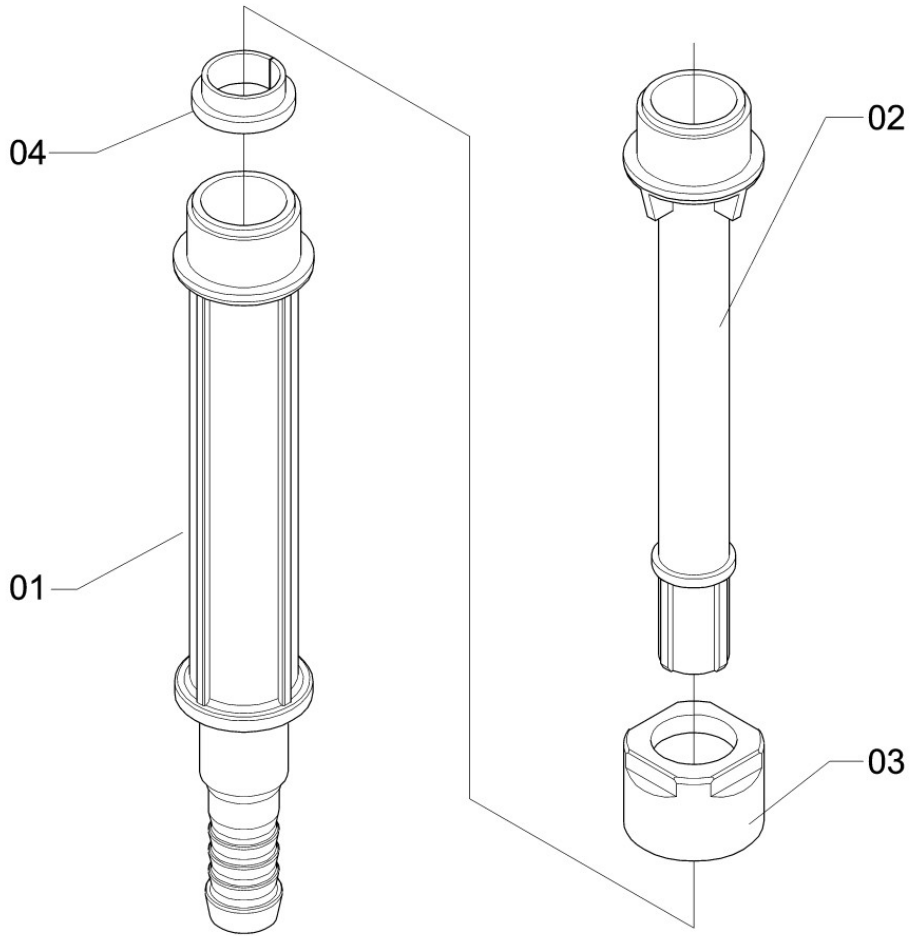


CV-167

Item	CODE	DESCRIPTION	Qty.	Item	CODE	DESCRIPTION	Qty.
00	054395	Directional valve	1				
01	044057	Compression spring 12.7	1				
02	048199	Seal	1				
03	049858	Lever pin	1				
04	050187	Flat washer 4.3 x 9 x 0.8 - stainless steel	1				
05	050195	Flat washer 64 x 125 x 95 stainless steel	1				
06	050211	Screw M4 x 8	1				
07	050237	O-ring OR2-108	1				
08	054403	Valve body	1				
09	054429	Piston cup	1				
10	054437	Guide	1				
11	054445	Rinse nozzle lever	1				
12	054452	Spring Guide Pin	1				

Controlled copy – Distribution and reproduction prohibited

CHEMICAL CONTAINER RINSE NOZZLE ROD

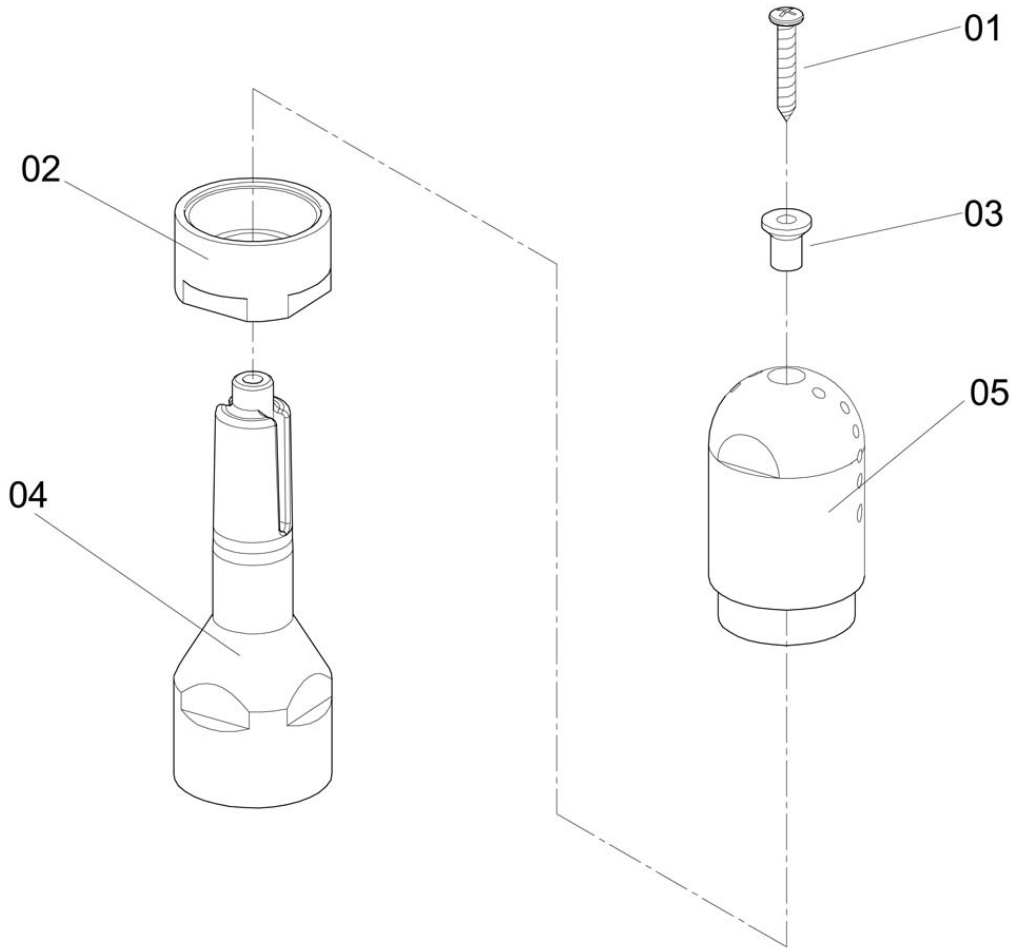


KIT-76

Item	CODE	DESCRIPTION	Qty.
00	088237	Chemical container rinse nozzle rod	1
01	058834	Nozzle rod	1
02	083907	Rod extension	1
03	087882	Extension nut	1
04	134221	Lock ring	1

Item	CODE	DESCRIPTION	Qty.

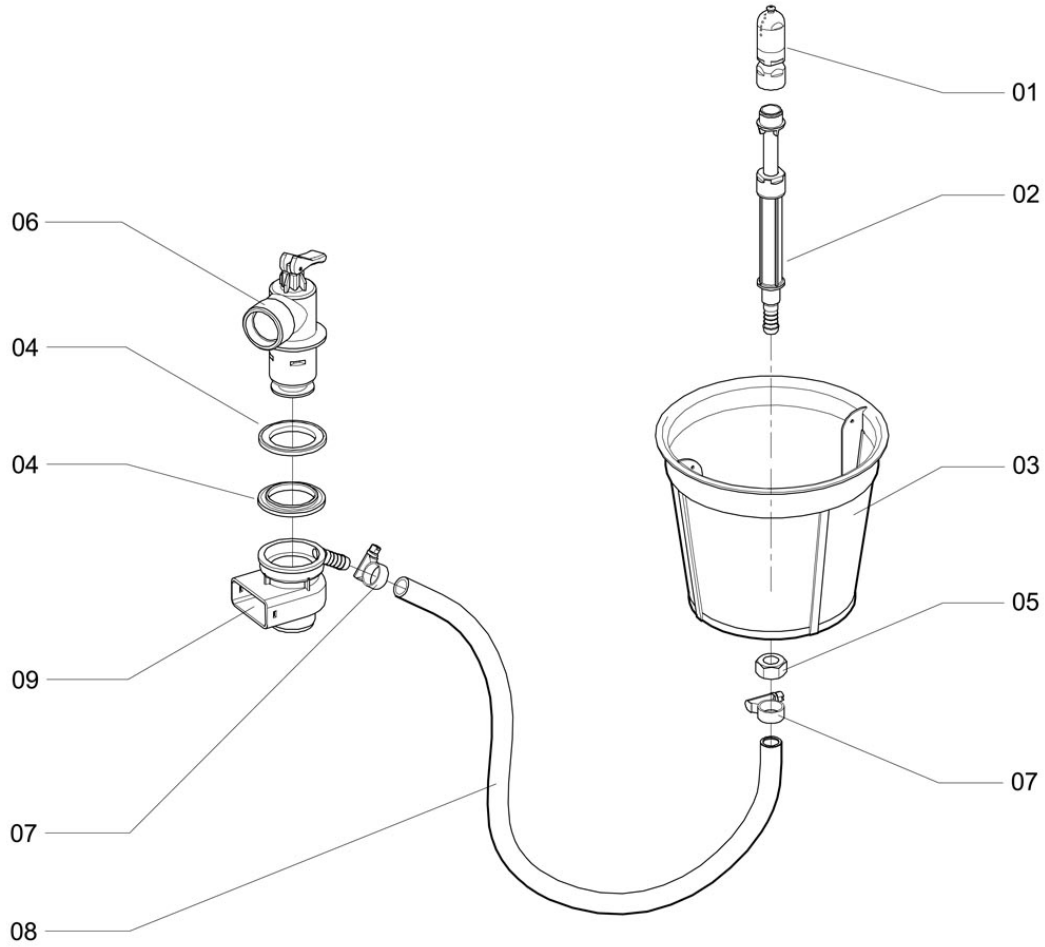
CHEMICAL CONTAINER RINSE NOZZLE



KIT-75

Item	CODE	DESCRIPTION	Qty.	Item	CODE	DESCRIPTION	Qty.
00	071944	Chemical container rinse nozzle	1				
01	997197	Screw 3.0 x 16	1				
02	059055	Nozzle nut	1				
03	061119	Bushing	1				
04	058909	Nozzle core	1				
05	060426	Nozzle body	1				

CHEMICAL CONTAINER RINSE NOZZLE NO.4

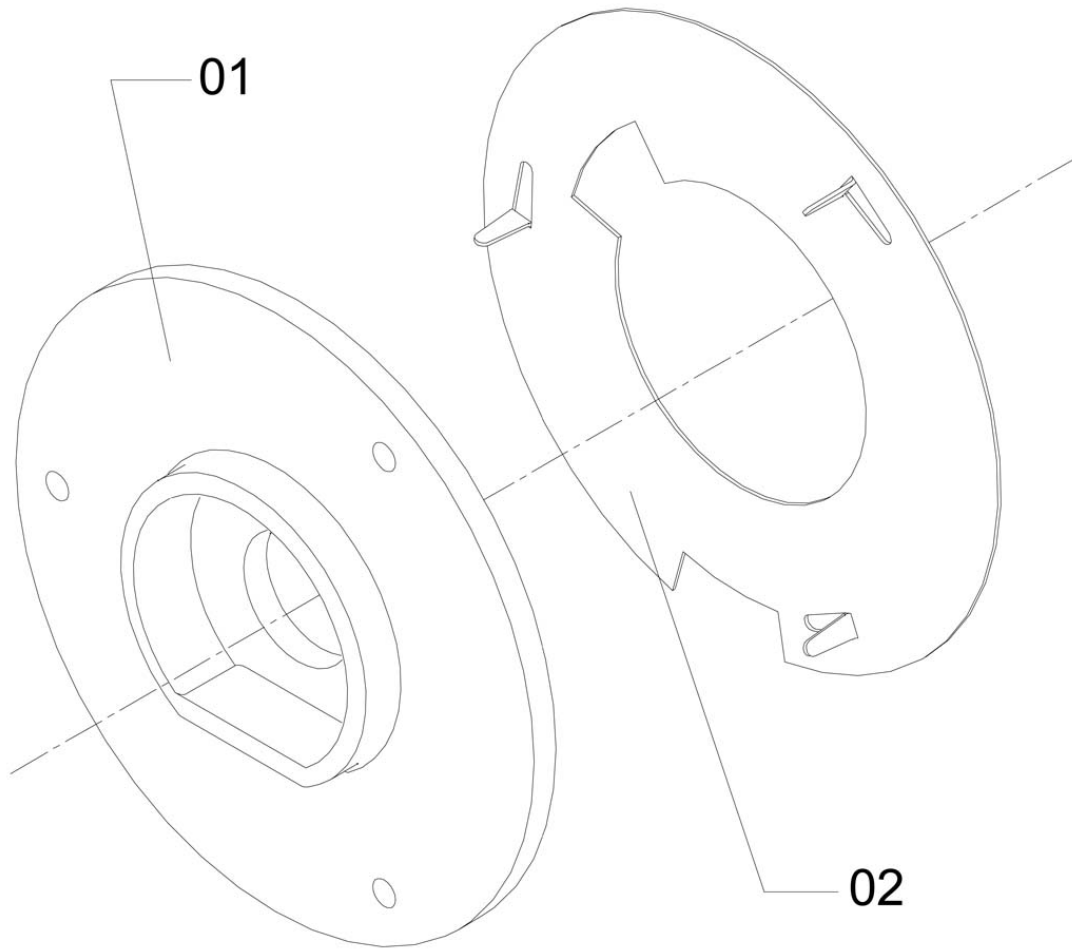


KIT-166

Item	CODE	DESCRIPTION	Qty.	Item	CODE	DESCRIPTION	Qty.
00	060434	Chemical container rinse nozzle no.4	1				
01	071944	Chemical container rinse nozzle	1				
02	088237	Chemical container rinse nozzle rod	1				
03	061788	Strainer 190-2T	1				
04	088245	Packing ring	2				
05	938498	Hex. nut M16 x 2.00	1				
06	054395	Directional valve	1				
07	107664	Clamp D14-22 - stainless steel	2				
08	071886	Hose 12.7 (1/2") x 600	1				
09	054411	Valve fastener	1				

Controlled copy – Distribution and reproduction prohibited

CONTACT DISC

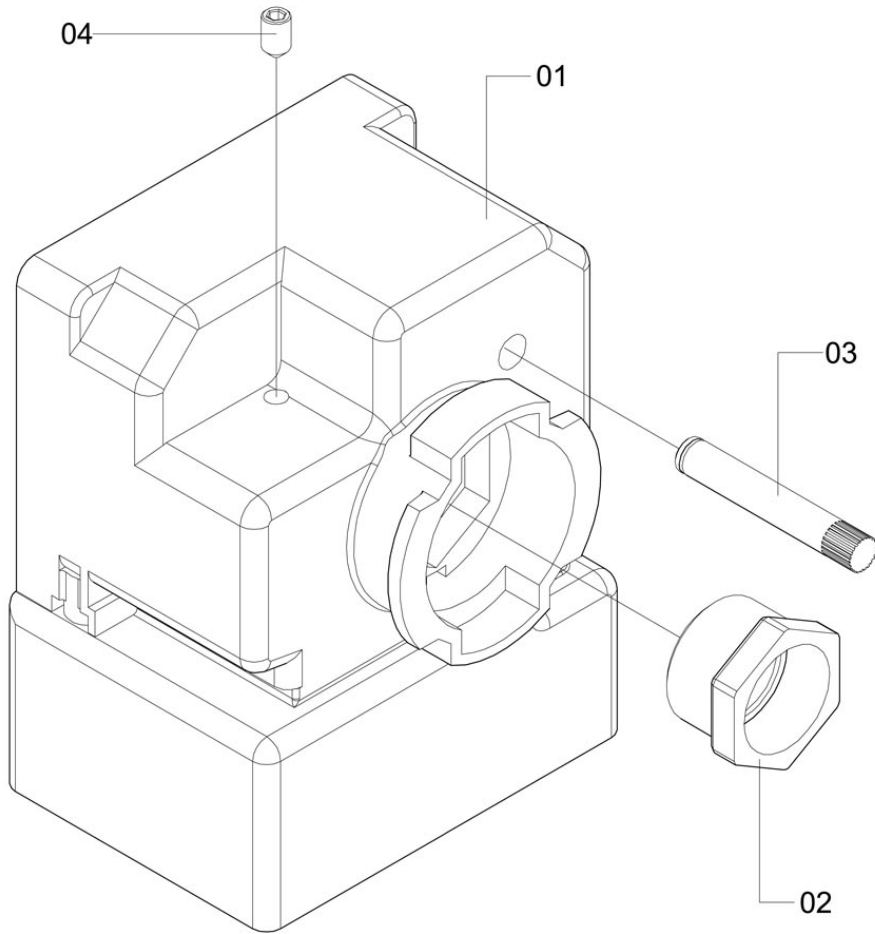


CV-382

Item	CODE	DESCRIPTION	Qty.
00	175737	Contact disc	1
01	865931	Contact support	1
02	867051	Contact disc	1

Item	CODE	DESCRIPTION	Qty.

GEAR CASE WITH BUSHING

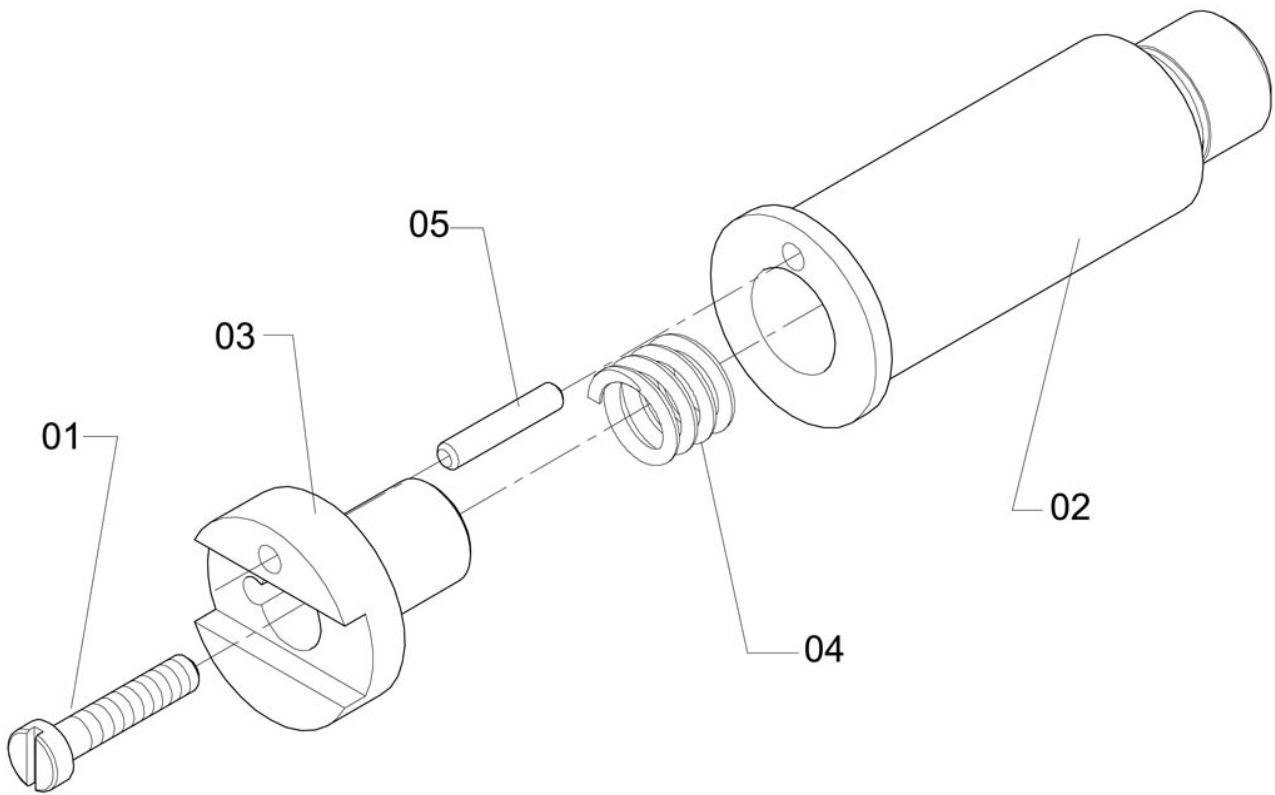


CV-515

Item	CODE	DESCRIPTION	Qty.	Item	CODE	DESCRIPTION	Qty.
00	172973	Gear case with bushing	1				
01	049486	Gear box	1				
02	267773	Gear box bushing	1				
03	866046	Gear shaft	1				
04	997205	Bolt M6 x 10 x 0.8	1				

Controlled copy – Distribution and reproduction prohibited

GEAR CASE SHAFT

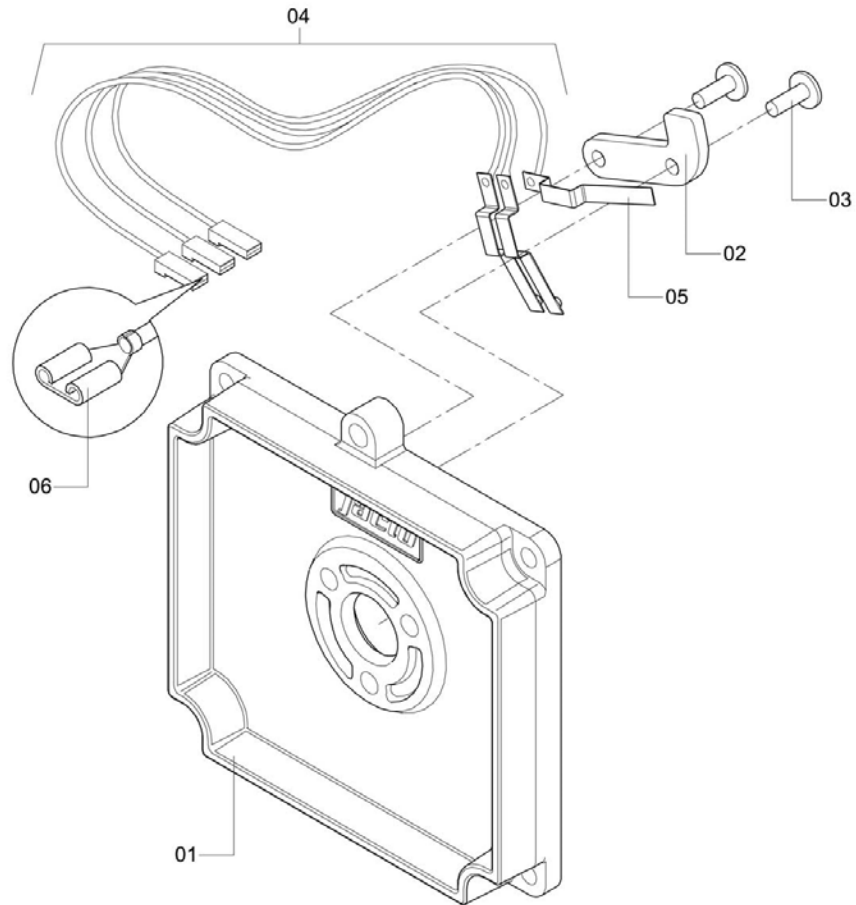


CV-304

Item	CODE	DESCRIPTION	Qty.	Item	CODE	DESCRIPTION	Qty.
00	867069	Gear case shaft	1				
01	071894	Bolt M4 x 20 x 07	1				
02	145490	Shaft body	1				
03	145508	Shaft head	1				
04	462572	Compression spring	1				
05	693861	Lever pin	1				

Controlled copy – Distribution and reproduction prohibited

GEAR CASE COVER ASSEMBLY

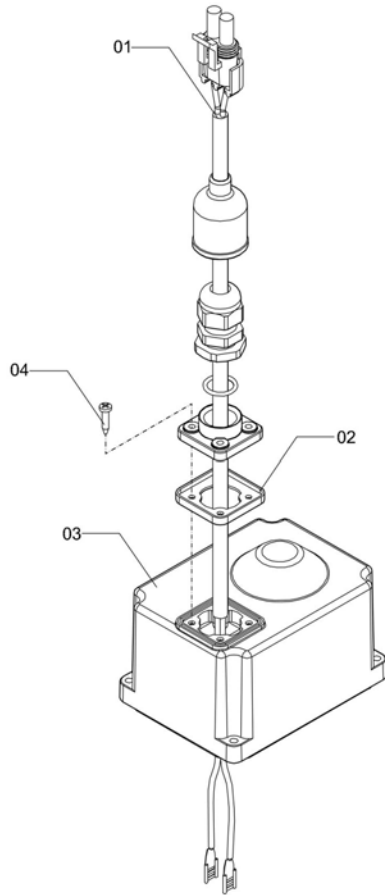


CV-580

Item	CODE	DESCRIPTION	Qty.	Item	CODE	DESCRIPTION	Qty.
00	189803	Gear case cover assembly	1				
01	860148	Gear case cover	1				
02	860205	Plate fastening support	1				
03	997213	Flanged head screw 3.5 x 10	2				
04	015064	Contact plate cable - tubings	1				
05	868422	Contact plate	3				
06	442434	Receptacle	3				

Controlled copy – Distribution and reproduction prohibited

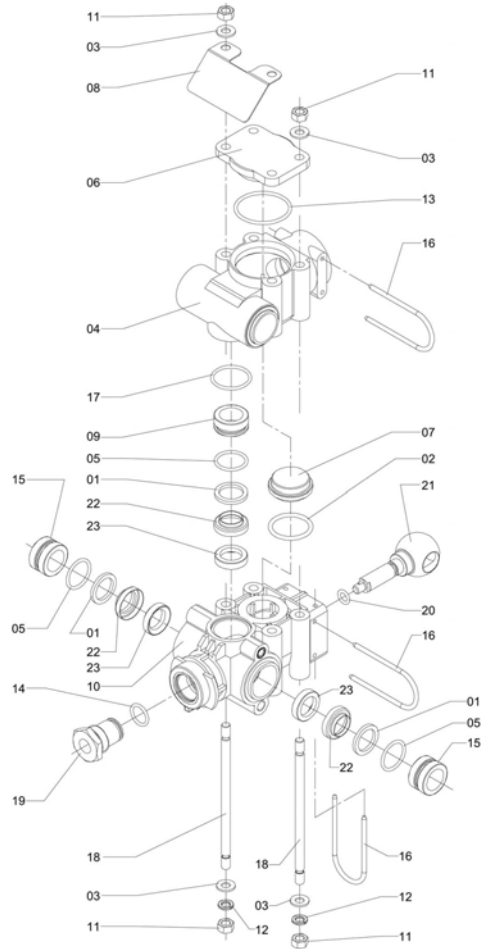
COVER ASSEMBLY - QUICK RELIEF MOTOR



CV-514

Item	CODE	DESCRIPTION	Qty.	Item	CODE	DESCRIPTION	Qty.
00	795294	Cover assembly - quick relief motor	1				
01	583773	Connecting cables - branches	1				
02	306811	Connector seal	1				
03	868273	Engine cover	1				
04	997197	Screw 3.0 x 16	4				

QUICK RELIEF

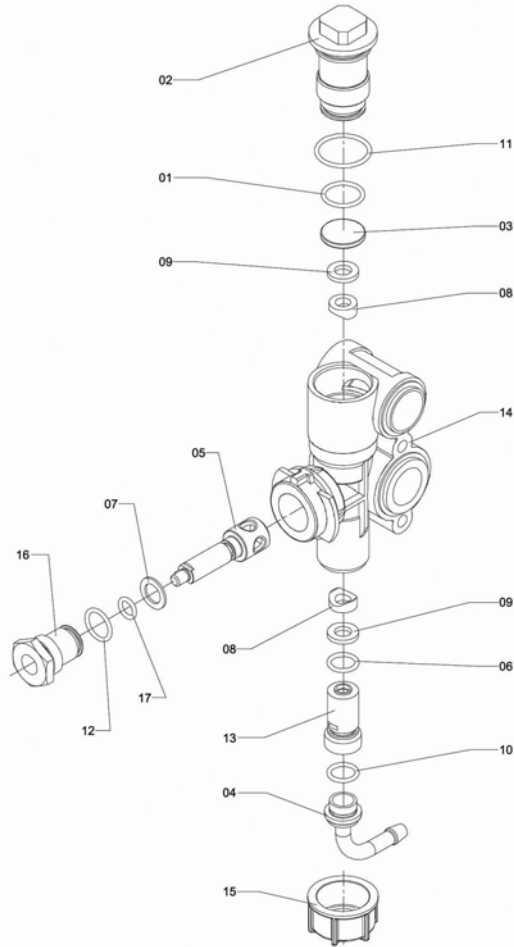


CV-126

Item	CODE	DESCRIPTION	Qty.	Item	CODE	DESCRIPTION	Qty.
00	139337	Quick relief	1				
01	010827	Packing ring 29 x 22 x 3	3				
02	011593	O-ring OR1-219	1				
03	013433	Flat washer 4.8 x 16 x 1.6 inox	8				
04	049494	Quick relief body	1				
05	106955	O-ring OR1-120	3				
06	139345	Quick Relief Cover	1				
07	139352	Valve seat	1				
08	144121	Identification plate	1				
09	165274	Seat bushing	1				
10	165811	Body base	1				
11	221648	Nut M8 x 1.25 - stainless steel	8				
12	519736	Lock washer	4				
13	735282	O-ring OR2-225	1				
14	832857	O-ring OR1-115	1				
15	860080	Quick relief seat bushing	2				
16	868372	Nozzles U-shaped clamp	3				
17	881839	O-ring OR2-124	1				
18	945907	Stud bolt M8 x 1.25 x 156	4				
19	946079	Core seat	1				
20	955617	O-ring OR2-110	1				
21	974154	Quick relief spherical core	1				
22	982736	Sleeve (teflon)	3				
23	982744	Seal seat	3				

Controlled copy – Distribution and reproduction prohibited

CONTROL BRANCH - ASSEMBLY

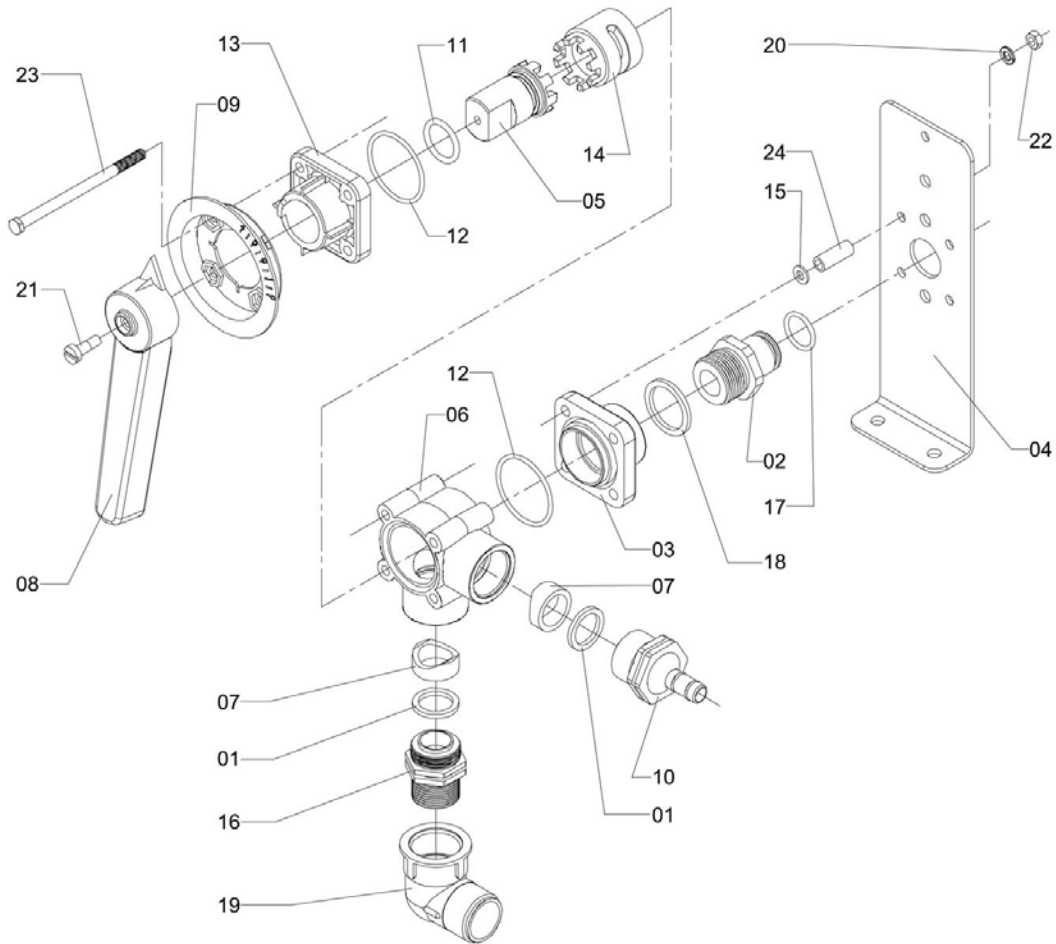


CV-125

Item	CODE	DESCRIPTION	Qty.	Item	CODE	DESCRIPTION	Qty.
00	139311	Control Branch - Assembly	1				
01	106955	O-ring OR1-120	1				
02	139261	Fastener	1				
03	139329	Cell	1				
04	144105	Hose fitting 3/8"	1				
05	148155	Branch ball core with pin	1				
06	322057	O-ring ORI-114	1				
07	414748	O-ring 22 x 1.5	1				
08	414763	Seal seat 18	2				
09	414771	O-ring 20 x 11 x 3.0	2				
10	706796	O-ring OR1-114	1				
11	731521	O-ring OR1 - 124	1				
12	832857	O-ring OR1-115	1				
13	860064	Outlet nipple bushing	1				
14	860130	Branch body	1				
15	867044	Nut for branch outlet	1				
16	946079	Core seat	1				
17	955617	O-ring OR2-110	1				

Controlled copy – Distribution and reproduction prohibited

ELECTRIC CONTROL VALVE

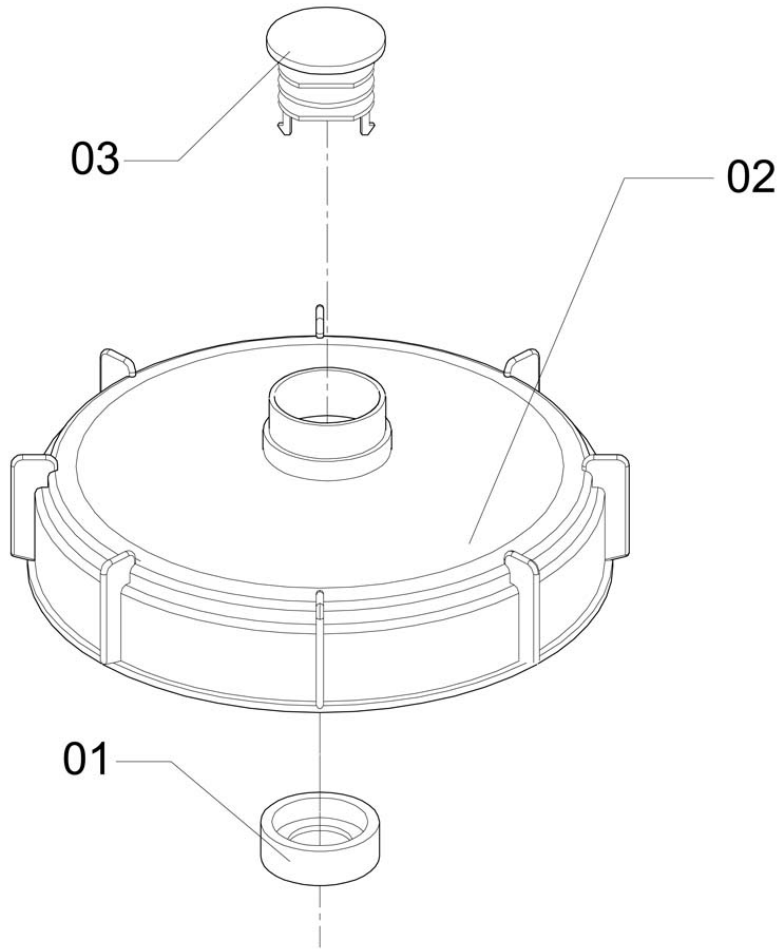


CV-127

Item	CODE	DESCRIPTION	Qty.	Item	CODE	DESCRIPTION	Qty.
00	140160	Electric Control Valve	1				
01	010827	Packing ring 29 x 22 x 3	2				
02	139279	Quick 1" - BSP	1				
03	139303	Cover	1				
04	139360	Support	1				
05	200048	Valve rod	1				
06	200121	Core body	1				
07	200139	Packing ring seat 28 x 8	2				
08	200204	Setting lever	1				
09	212134	Indicator	1				
10	212175	Fitting 1/2" x 1" BSP	1				
11	216192	O-ring OR1-213	1				
12	216200	O-ring ORI-132	2				
13	322594	Valve cover	1				
14	333724	Regulator core	1				
15	358267	Flat washer 64 x 125 x 16	4				
16	517847	Nipple 1 BSP	1				
17	531806	O-ring OR1-117	1				
18	535062	Packing ring 37.7 X 3.00	1				
19	902817	Male/female elbow 1" BSP x 90 degrees	1				
20	910117	Lock washer 1/4"	4				
21	912642	Screw 1/4" UNC x 5/8"	1				
22	912741	Nut 1/4" - 20 UNC	4				
23	912808	Hex. head bolt 1/4" - 20 UNC x 110	4				
24	994772	Spacer bushing 26	4				

Controlled copy – Distribution and reproduction prohibited

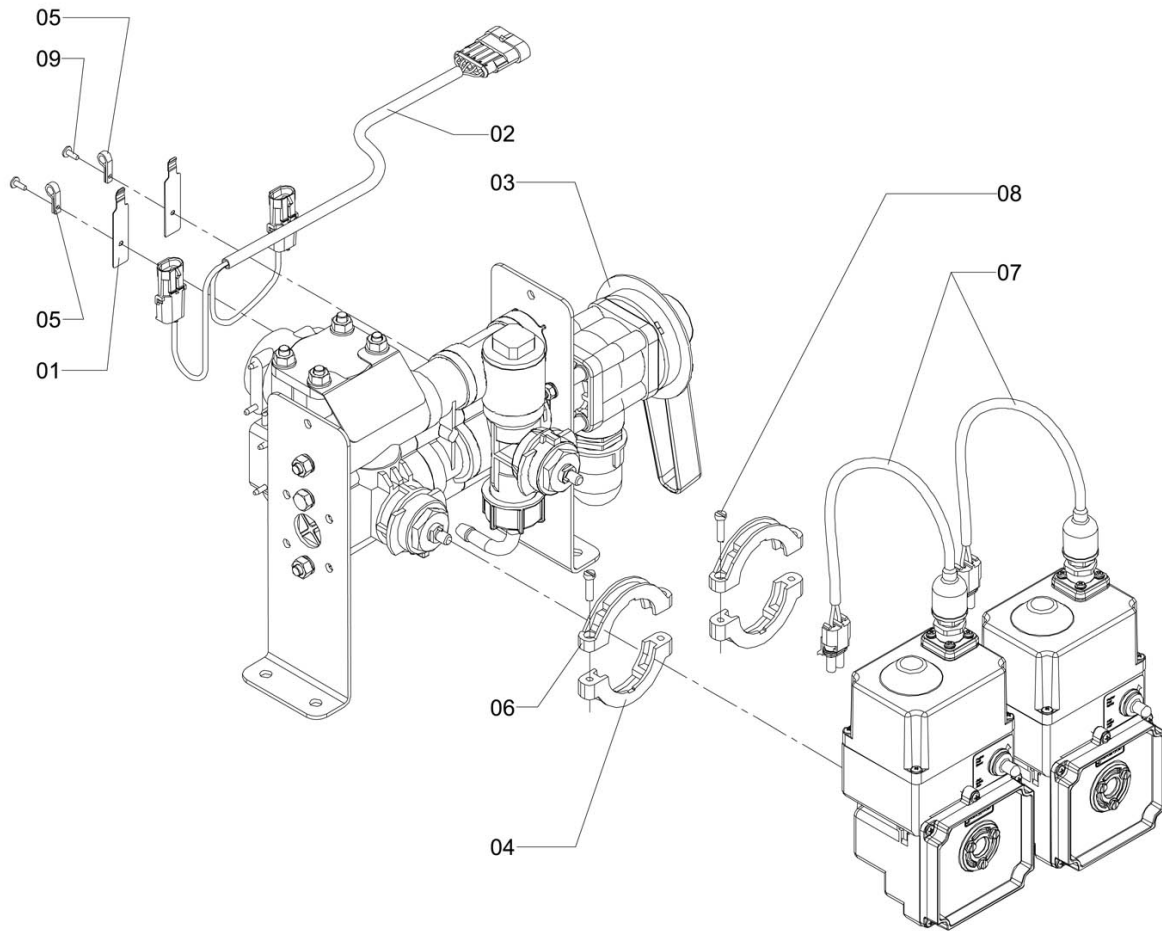
LID WITH BREATHER



D-101

Item	CODE	DESCRIPTION	Qty.	Item	CODE	DESCRIPTION	Qty.
00	037374	Lid with breather	1				
01	088419	Labyrinth lock	1				
02	233965	Spray tank lid	1				
03	088427	Labyrinth	1				

ELECTRIC CONTROL AND COMPLEMENTS

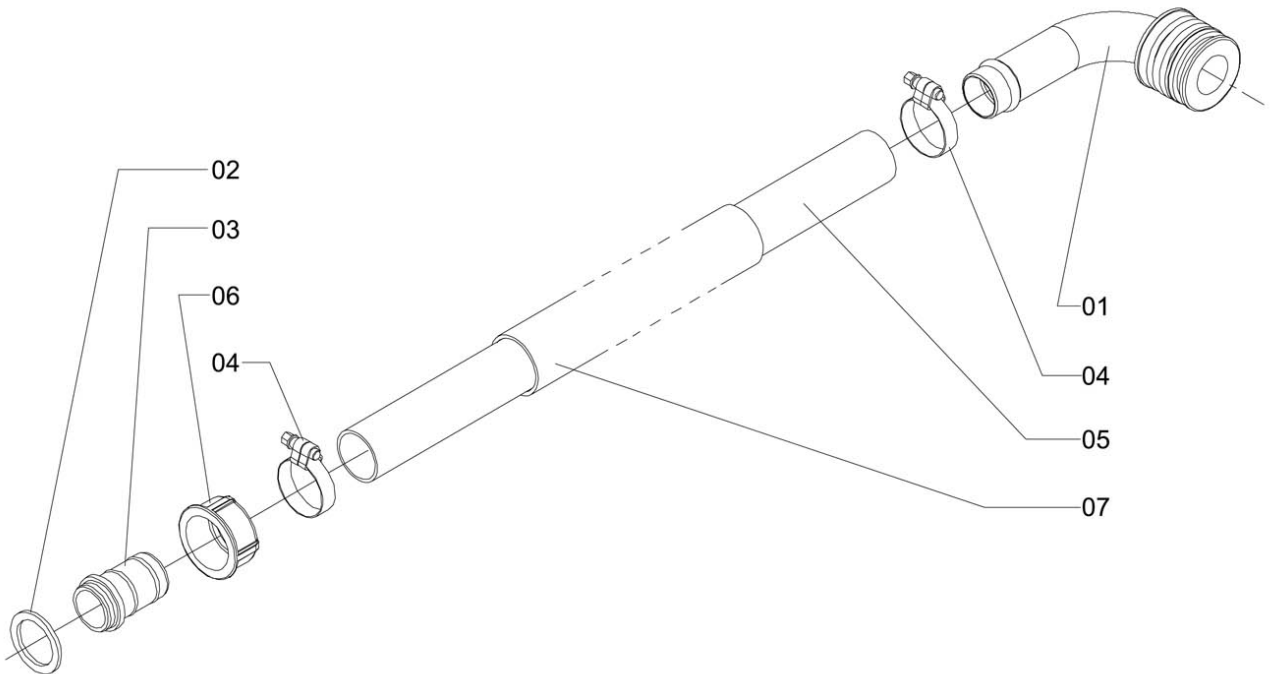


CV-644

Item	CODE	DESCRIPTION	Qty.	Item	CODE	DESCRIPTION	Qty.
00	139378	Electric control and complements	1				
01	471292	Connector support	2				
02	148338	Electric control cable	1				
03	321133	Electrical control - Masterflow	1				
05	849794	Clamp N4	2				
06	865907	Semi-clamp	2				
07	582254	Quick relief reduction box and branches	2				
08	444810	Screw M5 x 20 x 0.8	4				
09	997213	Flanged head screw 3.5 x 10	2				
	008895	Repair kit (Masterflow 2000)	1				

Controlled copy – Distribution and reproduction prohibited

HOSE - PUMP/CONTROL

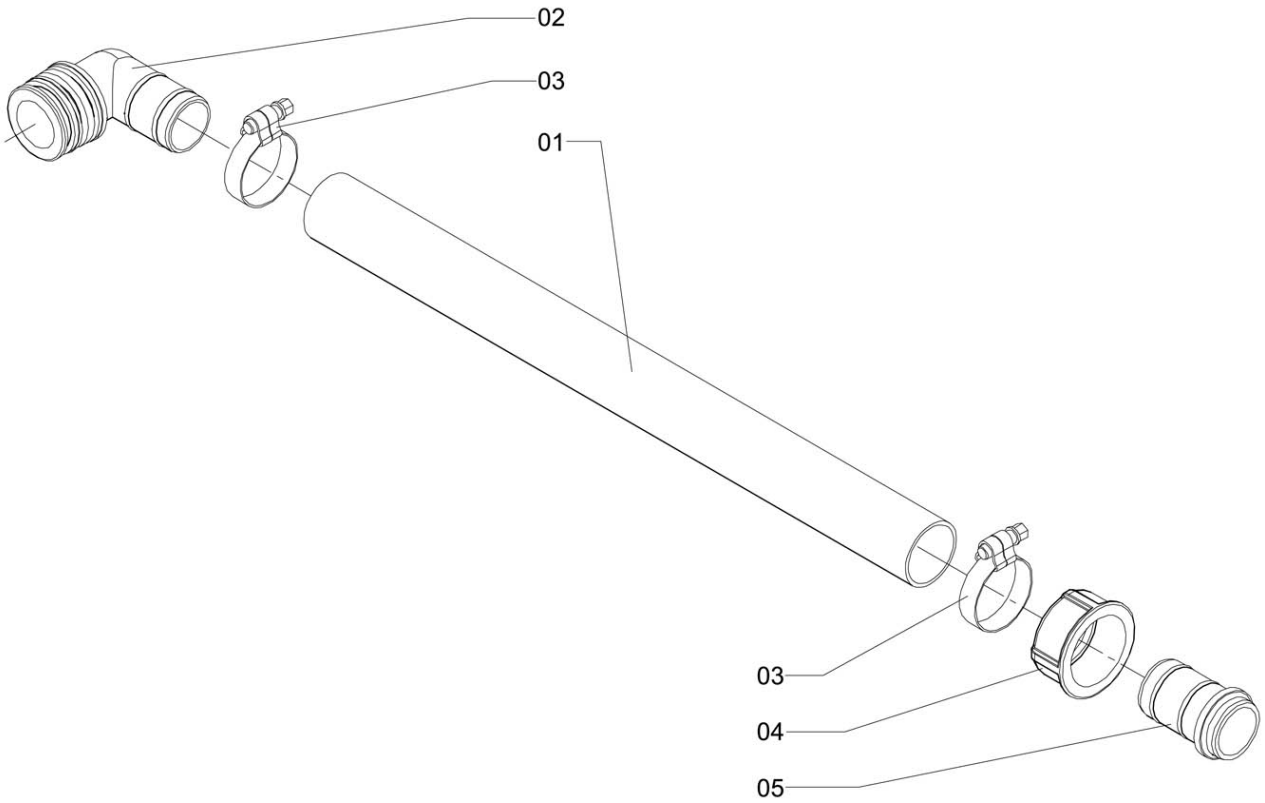


MD-059

Item	CODE	DESCRIPTION	Qty.	Item	CODE	DESCRIPTION	Qty.
00	012609	Hose - Pump/Control	1				
01	989087	Hose fitting 1"	1				
02	402412	Lock washer 31 x 22.5 x 22.5/3.0	1				
03	404434	Hose fitting	1				
04	423814	Clamp D22-32 - stainless steel	2				
05	943092	Flexible hose -1" x 2650mm	1				
06	511733	Round nut 1" BSP (40-45)	1				
07	092528	Blue hose AR - 38 (1.1/2") x 300	1				

Controlled copy – Distribution and reproduction prohibited

HOSE - CONTROL/TANK

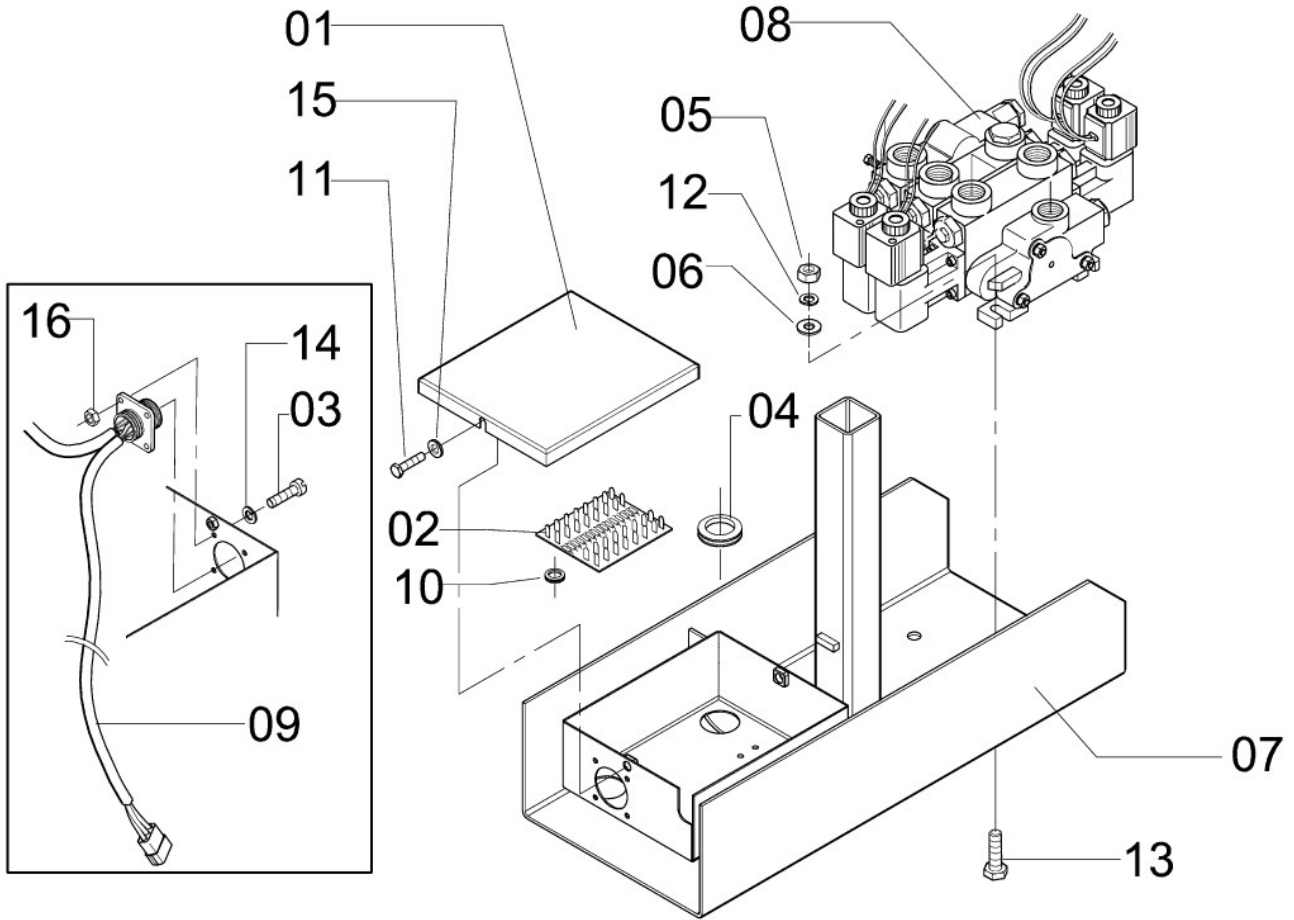


MD-058

Item	CODE	DESCRIPTION	Qty.	Item	CODE	DESCRIPTION	Qty.
00	012617	Hose - Control/Tank	1				
01	932103	Hose 31.5 (1.1/4") x 800 - blue	1				
02	989053	Elbow fitting 1.1/4" x 90°	1				
03	330969	Clamp D25-38 - stainless steel	2				
04	005884	Nut 1.1/4" BSP	1				
05	005892	Fitting 31.8 (1.1/4") x 33	1				

Controlled copy – Distribution and reproduction prohibited

HYDRAULIC CONTROL - ELECTRIC OPERATION

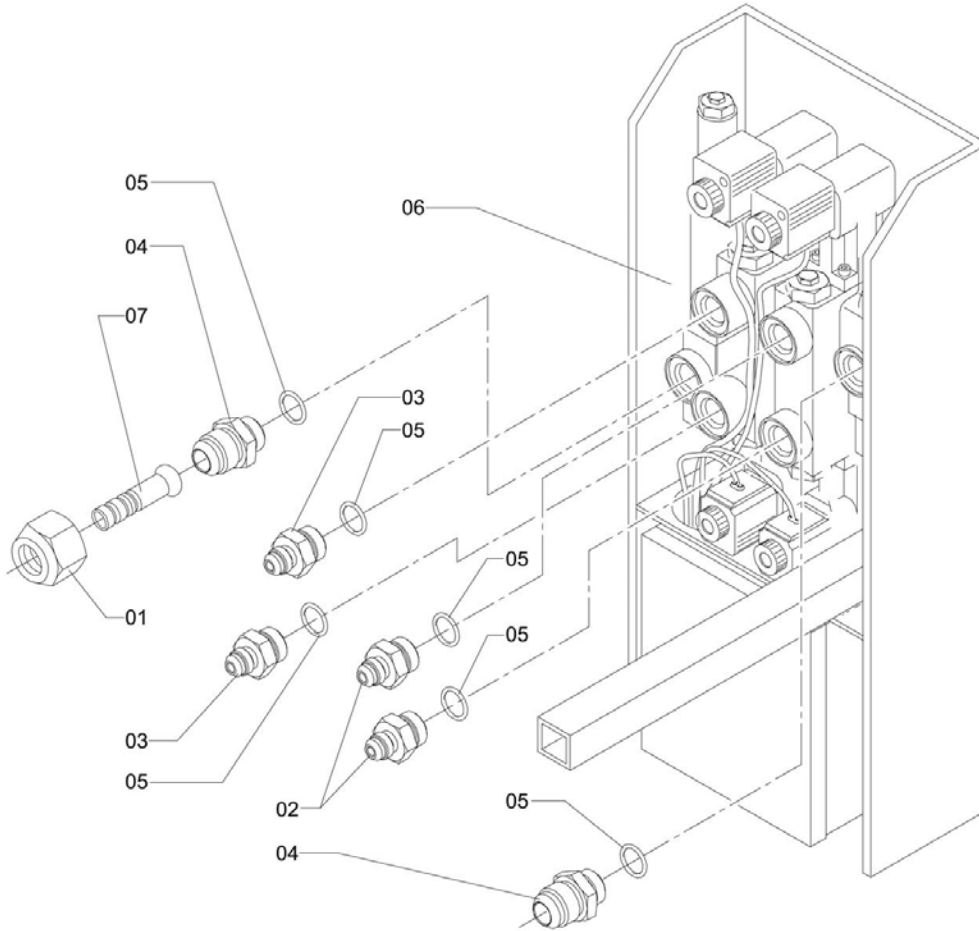


CE-79

Item	CODE	DESCRIPTION	Qty.	Item	CODE	DESCRIPTION	Qty.
00	276667	Hydraulic control - electric operation	1				
01	054783	Electric connection box cover	1				
02	468504	Electronic plate	1				
03	727669	Bolt M4 x 12	4				
04	762393	Conjugate gear	2				
05	810770	Hex. nut M-8 x 1.25	3				
06	881276	Flat washer 8.7 x 20 x 1.2 - stainless steel	3				
07	149534	Hydraulic control support	1				
08	276782	Electric hydraulic control	1				
09	277889	Intermediate cable - hydraulic control	1				
10	441881	Spacer 6	4				
11	448019	Hex. head bolt M6 x 12	2				
12	050195	Flat washer 64 x 125 x 95 - stainless steel	2				
13	519744	Screw M8 x 40 x 1.25	3				
14	520700	Lock washer 4.3 x 7.1 x 1	4				
15	521666	Lock washer 5 - stainless steel	2				
16	551523	Hex. nut M-4 x 0.7 stainless steel	4				

Controlled copy – Distribution and reproduction prohibited

ELECTRICAL HYDRAULIC CONTROL WITH NIPPLE

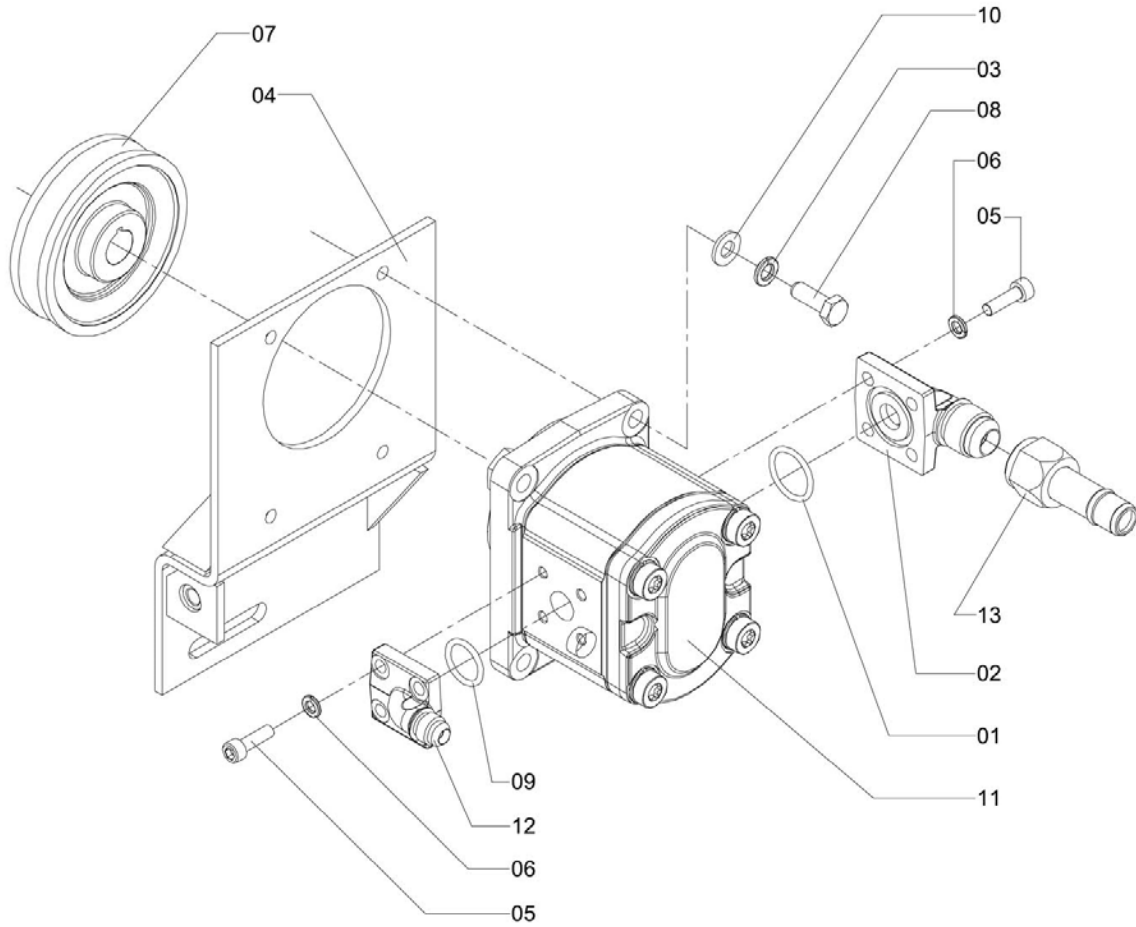


CH-640

Item	CODE	DESCRIPTION	Qty.	Item	CODE	DESCRIPTION	Qty.
00	045970	Electrical hydraulic control with nipple	1				
01	210237	Hex. nut 9/16" - 18 UNF	1				
02	949495	Dosage nipple 2 - 37	2				
03	949503	Nipple 1/2" UNF x 3/4" UNF	2				
04	210567	Dosage nipple 9/16" UNF x 3/4" UNF	2				
05	210823	O-ring OR2-008	6				
06	276667	Hydraulic control - electric operation	1				
07	519835	Elbow fitting 37 - BP 6	1				

Controlled copy – Distribution and reproduction prohibited

DUCT ACTUATION CIRCUIT

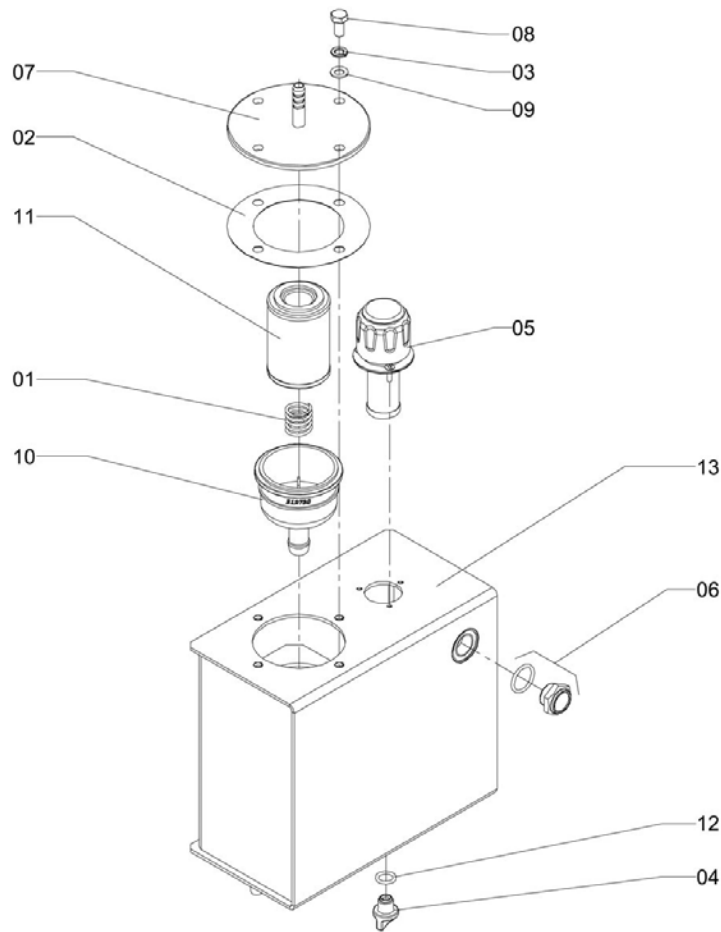


CH-638

Item	CODE	DESCRIPTION	Qty.	Item	CODE	DESCRIPTION	Qty.
00	999789	Duct actuation circuit	1				
01	106955	O-ring OR1-120	1				
02	211466	Pump intake connection	1				
03	519736	Lock washer	4				
04	521641	Pump support	1				
05	521658	Screw M6 x 1 x 20 CL12.9	8				
06	521666	Lock washer 5 - stainless steel	8				
07	618363	Pulley 91 - 1A	1				
08	912667	Bolt 5/16" x 18 UNC x 7/8	4				
09	110494	O-ring OR1-116	1				
10	013433	Flat washer 4.8 x 16 x 1.6 inox	4				
11	211318	Hydraulic pump	1				
12	211458	Pump outlet connection	1				
13	823989	Coupling end 37 BP-10	1				

Controlled copy – Distribution and reproduction prohibited

HYDRAULIC OIL RESERVOIR (4 LITERS)

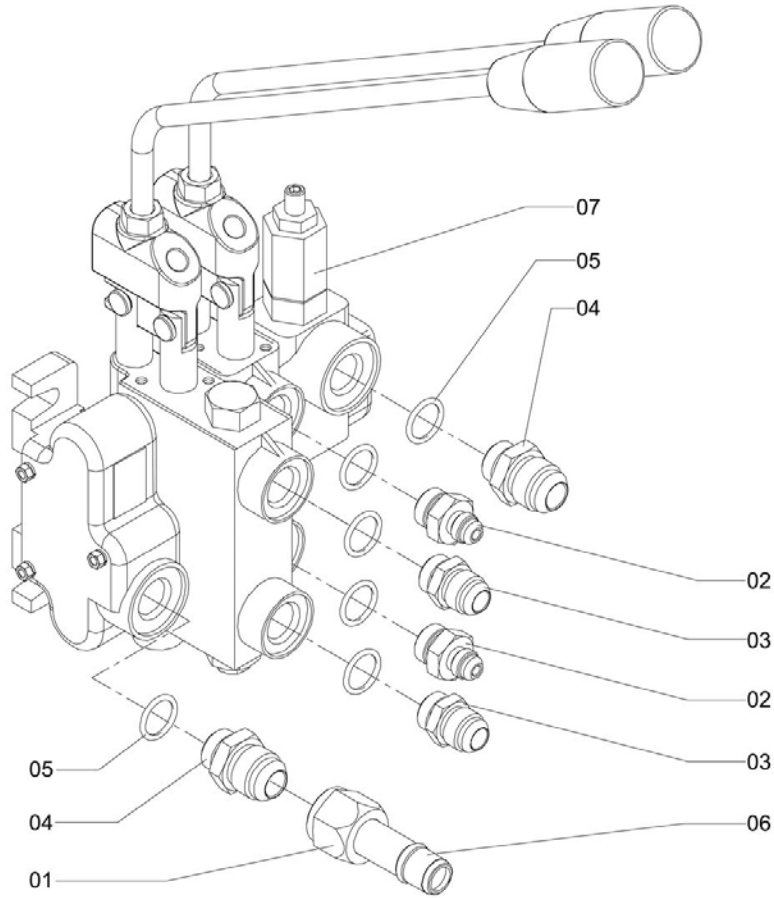


D-241

Item	CODE	DESCRIPTION	Qty.	Item	CODE	DESCRIPTION	Qty.
00	518878	Hydraulic oil reservoir (4 liters)	1				
01	212761	Compression spring	1				
02	519710	Packing ring 115 x 96 1.59	1				
03	519736	Lock washer	4				
04	520775	Drain plug 1/4" BSP	1				
05	521047	Air cleaner	1				
06	521351	Oil sight 1/2" BSP with packing ring	1				
07	521518	Filter cover	1				
08	637041	Bolt 5/16" - 20 UNC x 5/8"	4				
09	903575	Sealing washer 15 x 1.2	4				
10	212779	Return filter cap	1				
11	213710	Return filter	1				
12	325290	O-ring OR1-112	1				
13	518886	Hydraulic reservoir body	1				

Controlled copy – Distribution and reproduction prohibited

DIRECTIONAL CONTRL WITH NIPPLE

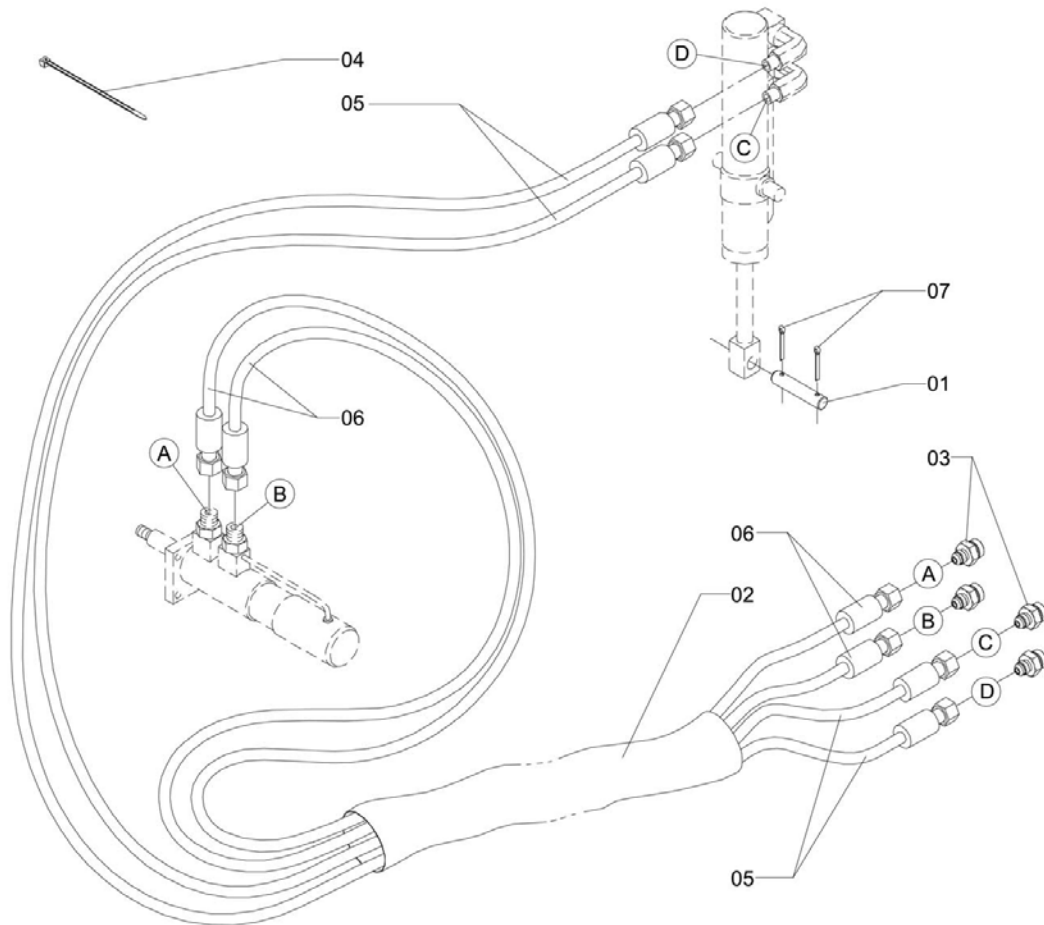


CH-639

Item	CODE	DESCRIPTION	Qty.	Item	CODE	DESCRIPTION	Qty.
00	045954	Directional contrl with nipple	1				
01	210237	Hex. nut 9/16" - 18 UNF	1				
02	949495	Dosage nipple 2 - 37	2				
03	949503	Nipple 1/2" UNF x 3/4" UNF (37-008-0)	2				
04	210567	Dosage nipple 6.00 - 9/16" UNF x 3/4" UNF	2				
05	210823	O-ring OR2-008	6				
06	519835	Elbow fitting 37 - BP 6	1				
07	732156	Directional control	1				

Controlled copy – Distribution and reproduction prohibited

DUCT ACTUATION CIRCUIT (CHT)

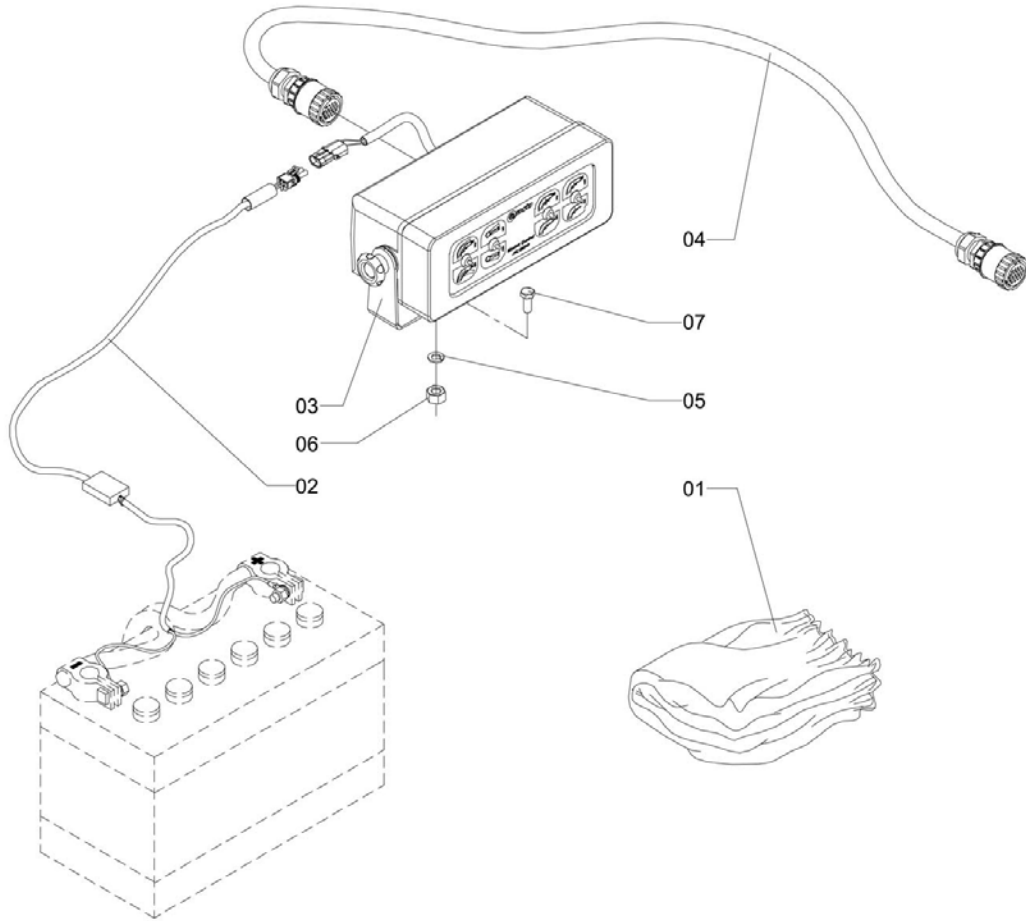


CH-635

Item	CODE	DESCRIPTION	Qty.	Item	CODE	DESCRIPTION	Qty.
00	339275	Duct actuation circuit (CHT)	1				
01	520015	Joint pin	1				
02	520379	Protective hose 4" x 1050	1				
03	228940	Dosage nipple 4.00 - 37	4				
04	323584	Hose tie	2				
05	339283	Hose MHMP-04-1/4" X 4100	2				
06	339291	Pressure hose 1/4" x 3000	2				
07	808451	Cotter pin 2.38 x 19.05	2				

Controlled copy – Distribution and reproduction prohibited

ACCESORIES BOX (JS-600 EL)

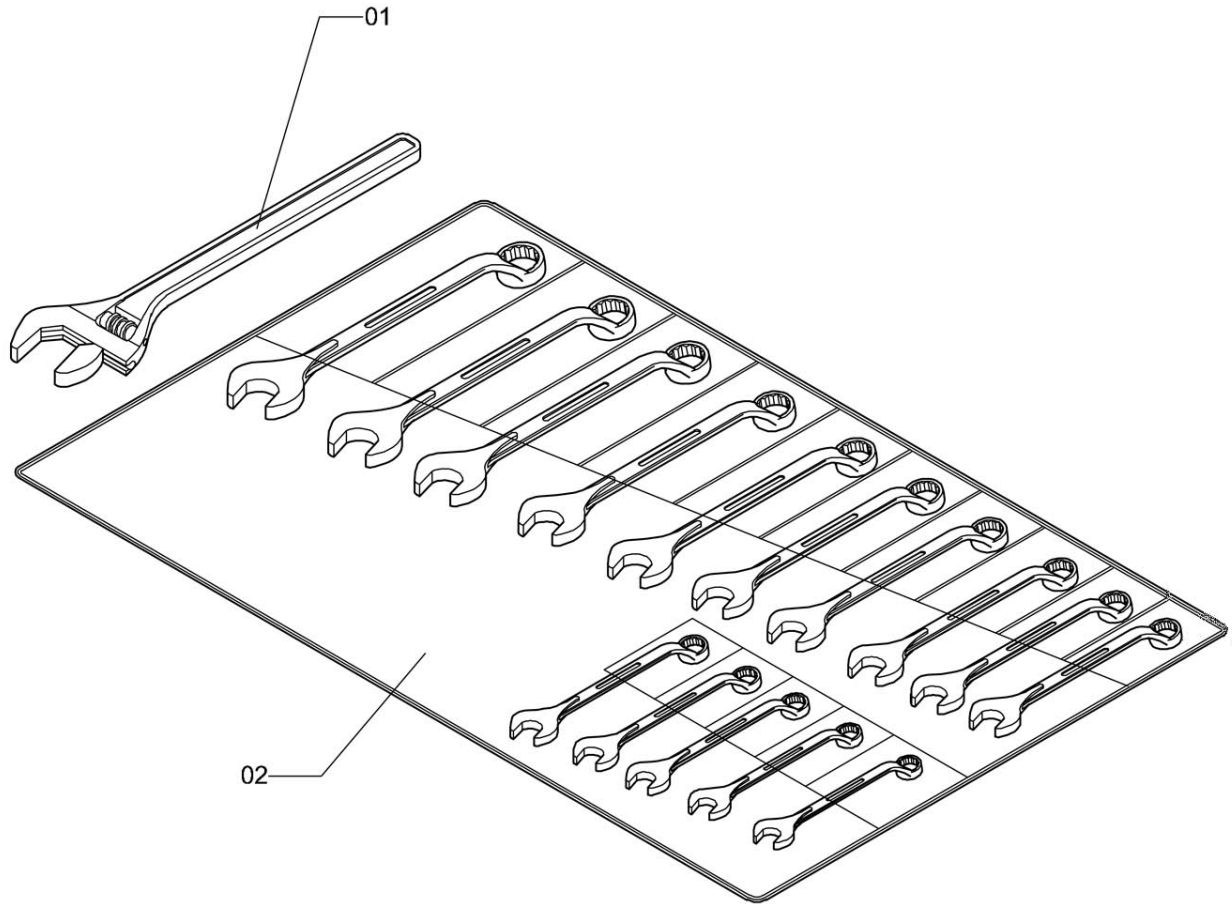


CXA-494

Item	CODE	DESCRIPTION	Qty.	Item	CODE	DESCRIPTION	Qty.
00	287367	Accesories box (JS-600 EL)	1				
01	065177	Computer protective cap	1				
02	982248	Feed cable	1				
03	278515	JEC-2500 computer	1				
04	287375	Panel connection cable	1				
05	519736	Lock washer	2				
06	810770	Hex. nut M-8 x 1.25	2				
07	829374	Hex. head bolt M8 x 20 x 1.25 -cl 8.8	2				

Controlled copy – Distribution and reproduction prohibited

ASSEMBLY - COMBINATION WRENCH + SCREW WRENCH (FOR EXPORT)

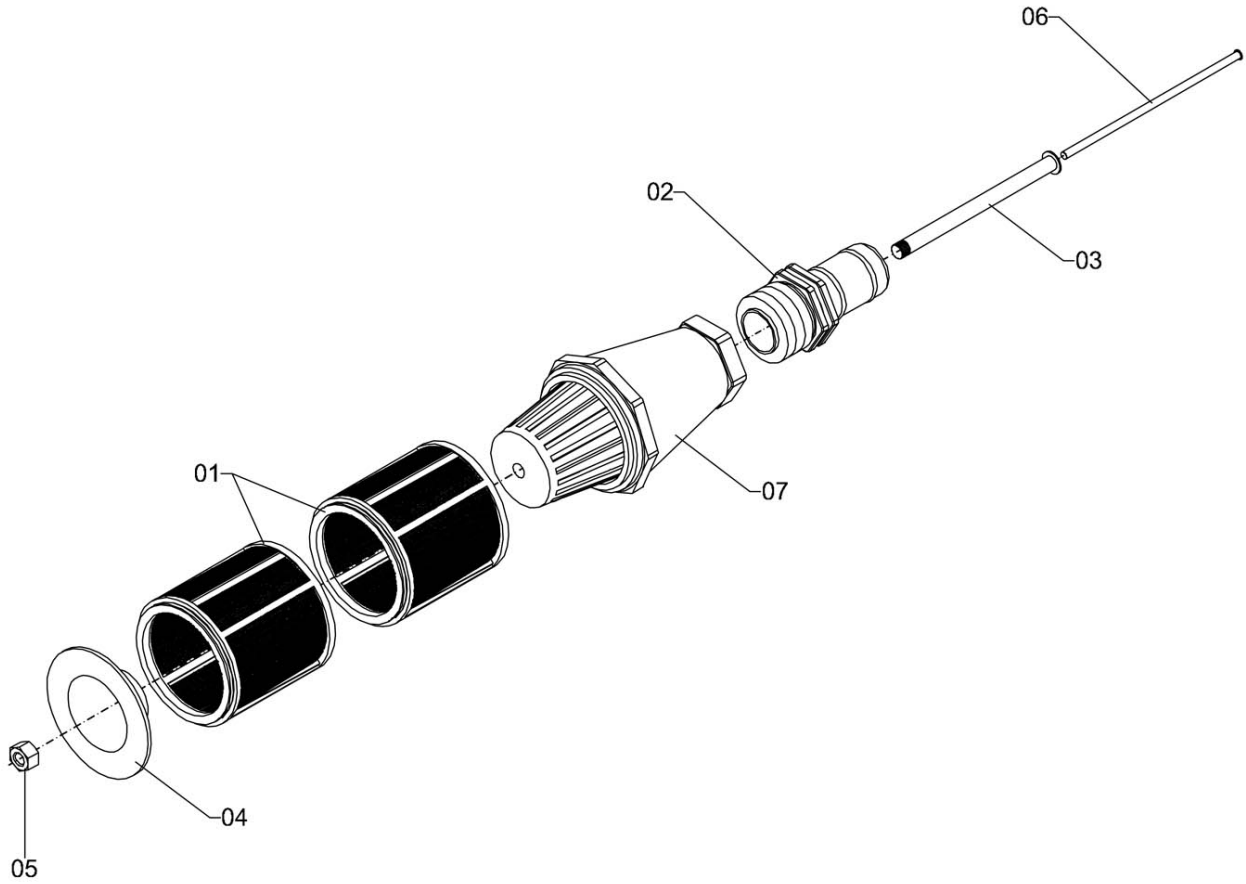


CXA-140

Item	CODE	DESCRIPTION	Qty.	Item	CODE	DESCRIPTION	Qty.
00	489211	Assembly - combination wrench + screw wrench (for export)	1				
01	489260	Screw wrench 18" (for export)	1				
02	489229	Combined wrench kit "ROBUST" (for export)	1				

Controlled copy – Distribution and reproduction prohibited

FILTERING VALVE ASSEMBLY

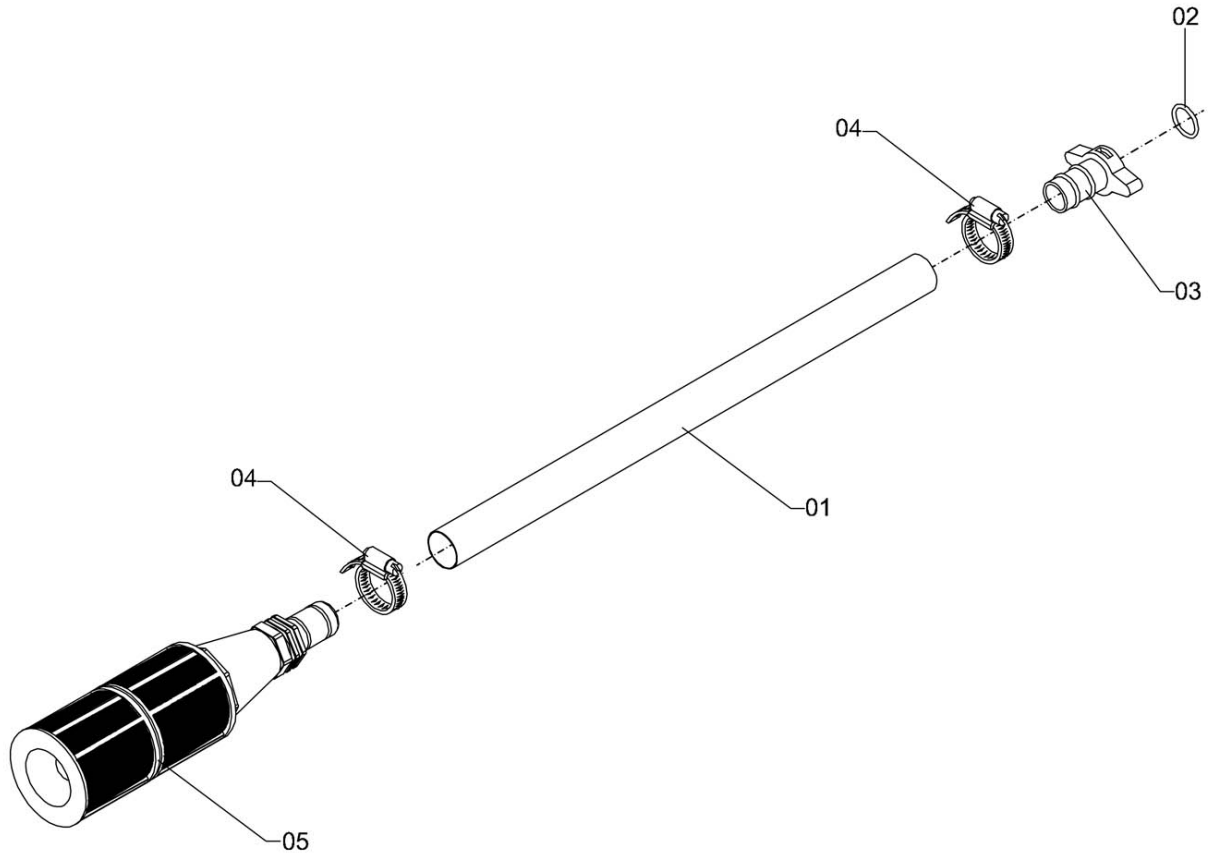


ELP-365

Item	CODE	DESCRIPTION	Qty.	Item	CODE	DESCRIPTION	Qty.
00	323873	Filtering valve assembly	1				
01	012476	Filtering element	2				
02	404459	Hose fitting 1" x 1" BSP	1				
03	537332	Element stud bolt	1				
04	537340	Cover - filling hose	1				
05	537357	Hex. nut 7/32" BSW	1				
06	537365	Pin 120	1				
07	909986	Foot valve	1				

Controlled copy – Distribution and reproduction prohibited

FILLING HOSE

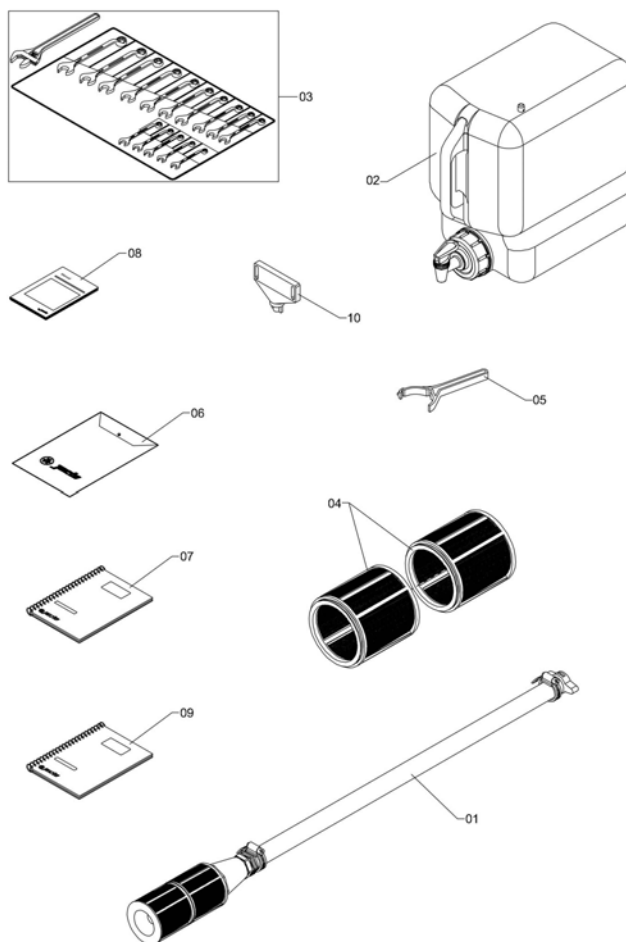


A-14

Item	CODE	DESCRIPTION	Qty.	Item	CODE	DESCRIPTION	Qty.
00	216226	Filling hose	1				
01	813253	Hose 25.4 (1") x 5000	1				
02	206185	Packing ring 32.8 x 6.00	1				
03	206193	Extension 1"	1				
04	330969	Clamp D25-38 - stainless steel	2				
05	323873	Filtering valve assembly	1				

Controlled copy – Distribution and reproduction prohibited

ACCESSORIES BOX

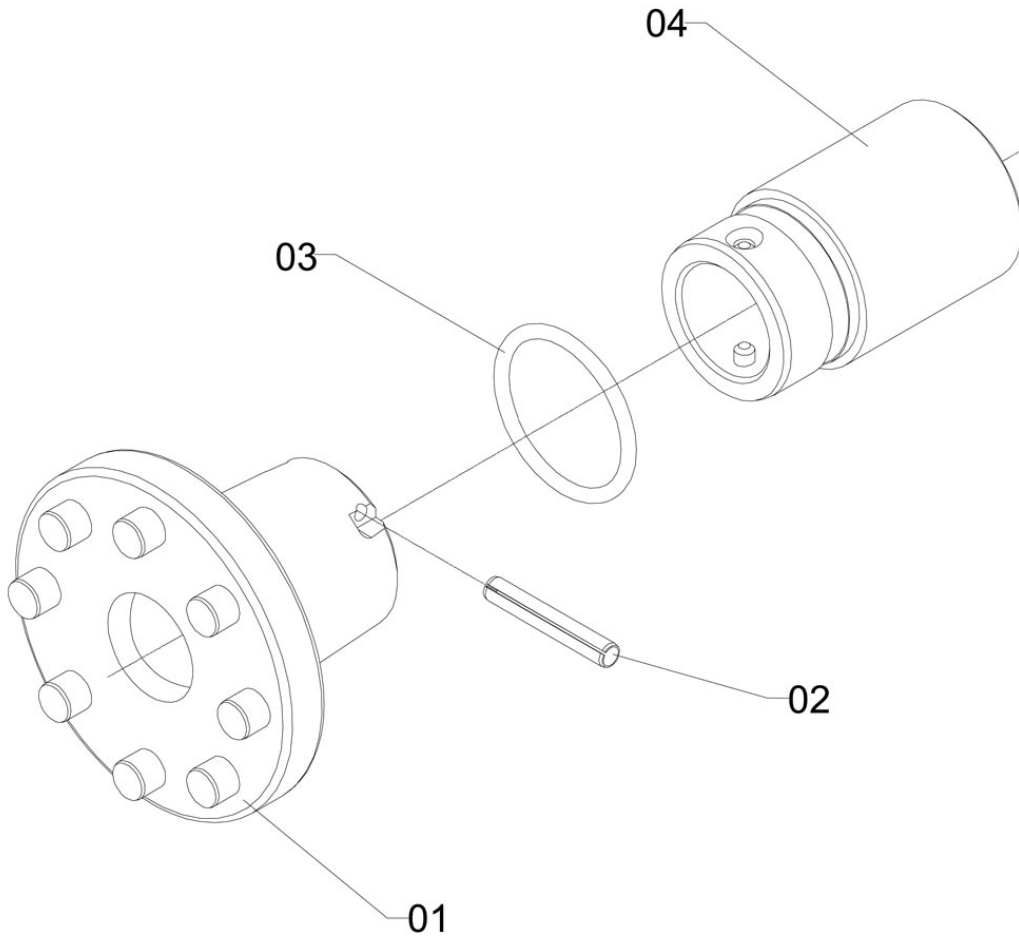


CXA-493

Item	CODE	DESCRIPTION	Qty.	Item	CODE	DESCRIPTION	Qty.
00	079474	Accessories box	1				
01	216226	Filling hose	1				
02	299768	15-liter tank assembly	1				
03	489211	Assembly - combination wrench + screw wrench (for export)	1				
04	613604	Double filtering element	1				
05	703694	Key 40-45	1				
06	867127	Plastic folder	1				
07	127134	Operator's manual "Jacto Super 600"	1				
07A	752923	Operator's manual "JS-600 Spanish"	1				
07B	767533	Operator's manual (JS-600 - english)	1				
07C	513168	Operator's manual - J600 USA	1				
08	136929	Instructions manual - Container rinse nozzle	1				
08A	140202	Operator's manual - Chemical container rinse nozzle - Spanish	1				
08B	158576	Operator's manual-Chemical container rinse nozzle	1				
08C	907212	Operator's manual (Chemical container rinse nozzle - USA)	1				
09	853093	Operator's manual - nozzles	1				
09A	864199	Operator's manual (Nozzles guideline - Spanish)	1				
09B	697912	Jacto nozzles guide (English)	1				
09C	938381	Nozzle guide MI "USA"	1				
10	1177696	Universal key	1				

Controlled copy – Distribution and reproduction prohibited

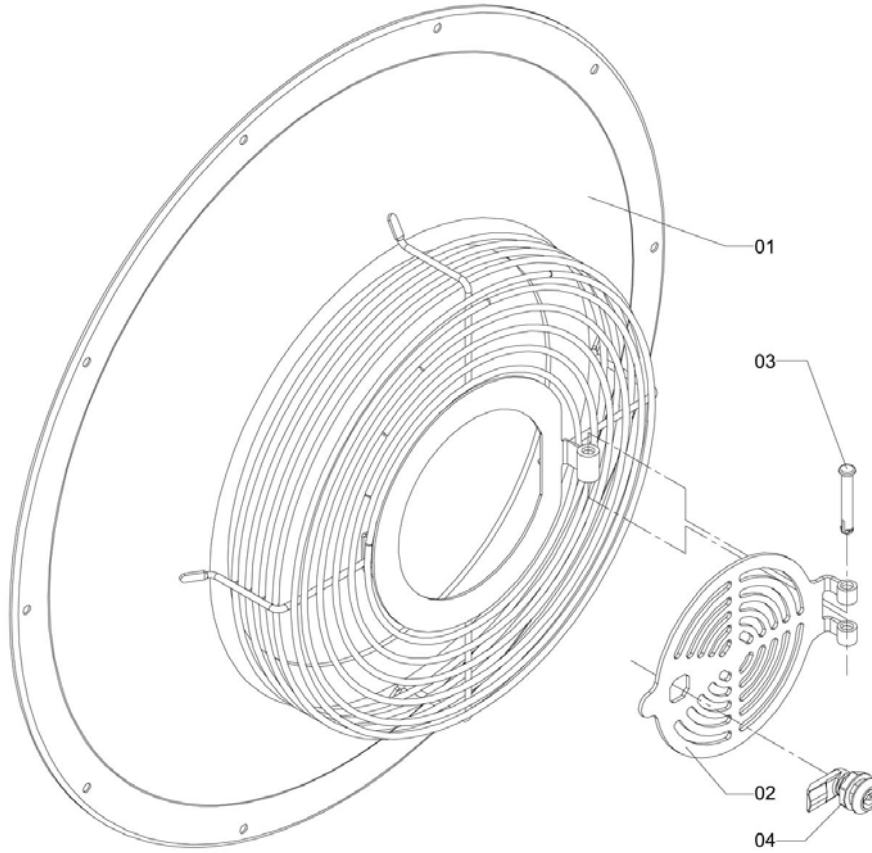
GROOVED HUB WITH HITCH



TMV-52

Item	CODE	DESCRIPTION	Qty.	Item	CODE	DESCRIPTION	Qty.
00	177055	Grooved hub with hitch	1				
01	018713	Grooved hub with pins	1				
02	427567	Flexible pin 5 x 32	1				
03	011643	O-ring ORI-129	1				
04	201103	Coupling hub	1				

FAN HOUSING COVER

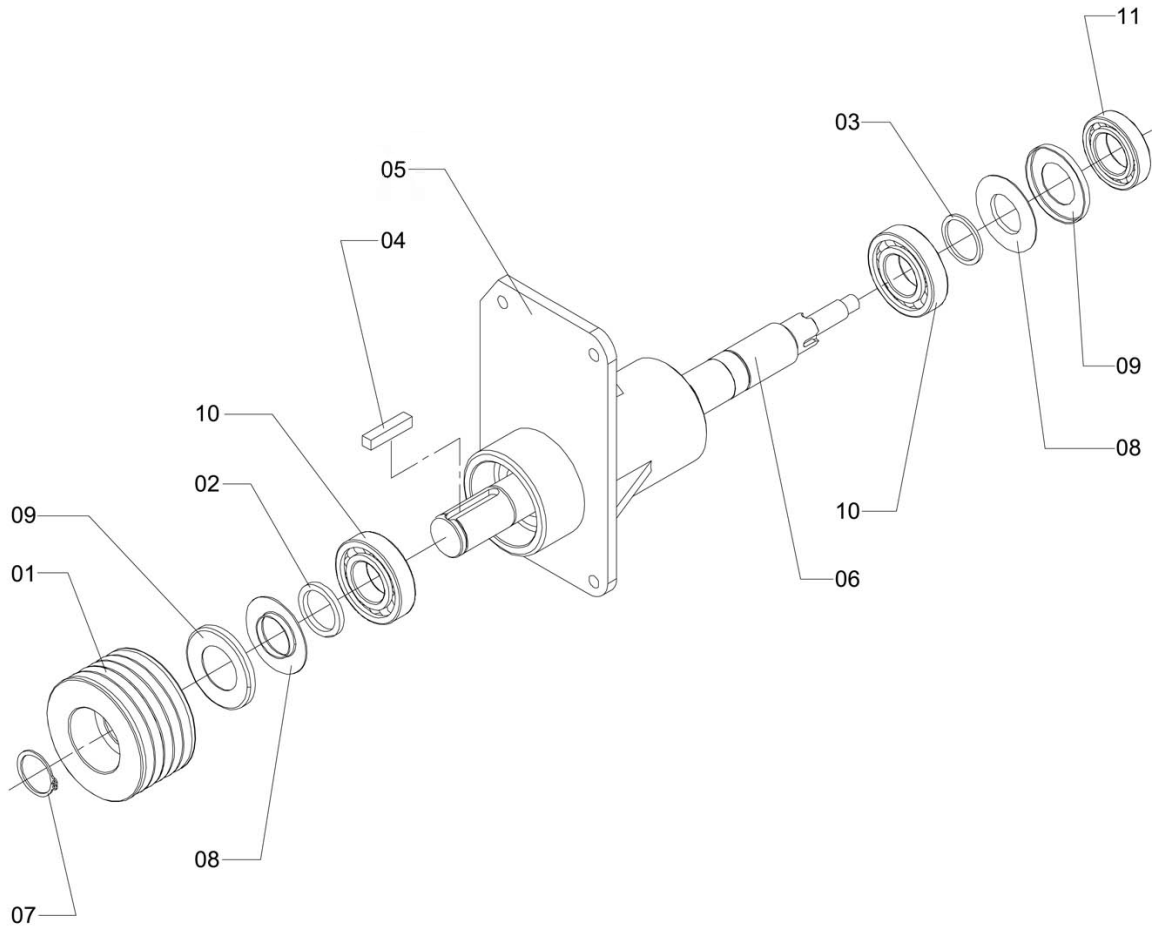


V-41

Item	CODE	DESCRIPTION	Qty.	Item	CODE	DESCRIPTION	Qty.
00	434084	Fan housing cover	1				
01	018457	Fan housing cover	1				
02	1165899	Grid unlck	1				
03	847912	Chemical mixer articulator pin	1				
04	1169820	Plastic stop latch key	1				

Controlled copy – Distribution and reproduction prohibited

FAN BEARING ASSEMBLY - J600

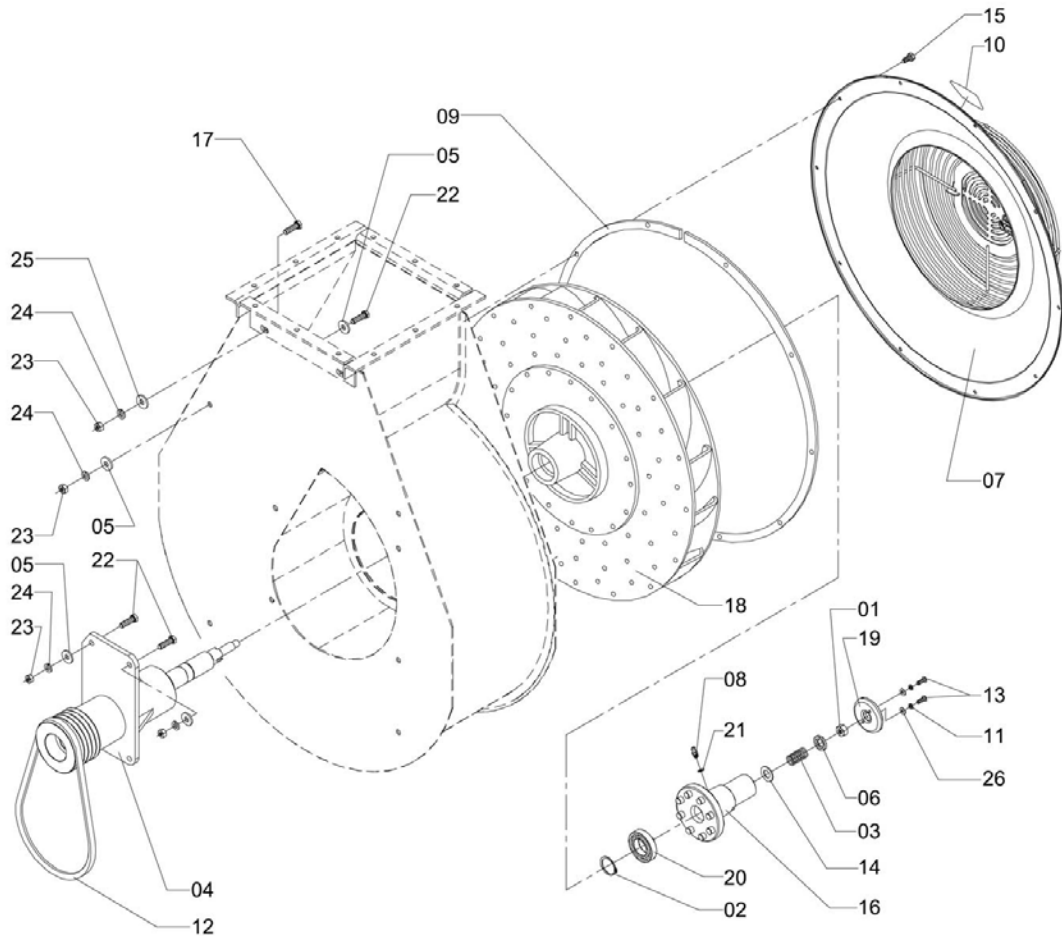


TMV-94

Item	CODE	DESCRIPTION	Qty.	Item	CODE	DESCRIPTION	Qty.
00	164889	Fan bearing assembly - J600	1				
01	517466	Pulley 121-5A	1				
02	518118	Spacer ring	1				
03	518126	Spacer ring 42.2 x 2.7	1				
04	519793	Square key - 9.53 (3/8") x 45	1				
05	820324	Pillow block body	1				
06	984187	Shaft 446	1				
07	203067	Snap ring for shaft 35	1				
08	328039	Internal protection	2				
09	328047	External protection	2				
10	328062	Bearing no. 6207 SKF	2				
11	202549	Fixed bearing	1				

Controlled copy – Distribution and reproduction prohibited

FAN

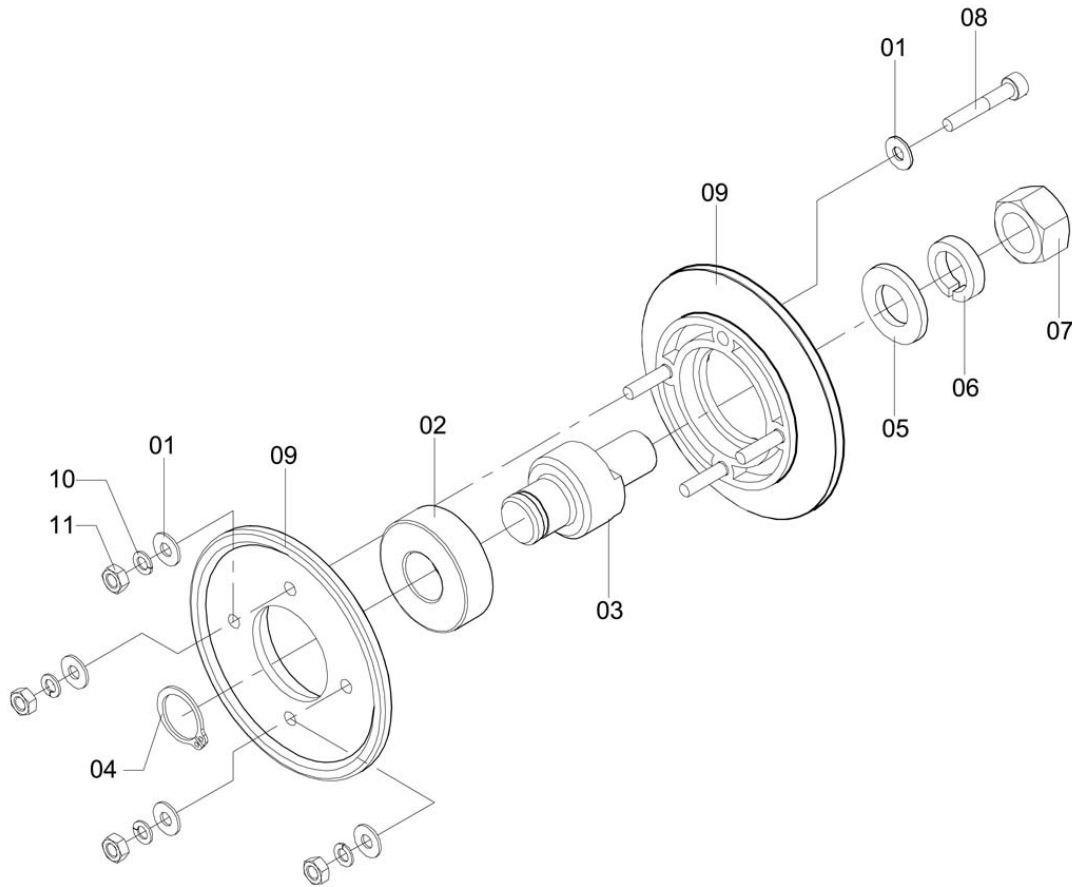


V-44

Item	CODE	DESCRIPTION	Qty.	Item	CODE	DESCRIPTION	Qty.
00	518340	Fan	1				
01	108787	Nut DODI-LOC 1/2" - 13 UNC	1				
02	203067	Snap ring for shaft 35	1				
03	204537	Compression spring	1				
04	164889	Fan bearing assembly - J600	1				
05	416735	Flat washer 100 x 260 x 30	16				
06	425892	Spring seat ring	1				
07	434084	Fan housing cover	1				
08	918748	Grease nipple M6 x 1 - 45	1				
09	518100	Packing 15 x 2000 x 8.00	1				
10	446500	Sticker: "Fan lock instructions"	1				
11	520676	Lock washer 5	2				
12	520940	Trapeze belt A-58	5				
13	007179	Screw 3/16" UNC x 5/8"	2				
14	881243	Flat washer 17 x 30 x 1,9 - stainless steel	1				
15	910745	Self-locking screw 1/4" x 3/4"	10				
16	177055	Grooved hub with hitch	1				
17	936146	Bolt M10 x 1.25 x 35 CL 8.8	4				
18	989129	Fan rotor	1				
19	201087	Disc 70	1				
20	202549	Fixed bearing	1				
21	731083	Ring 6.45 x 7.94 x 2	1				
22	757559	Hex. bolt M10 x 30 x 1.25	16				
23	907030	Hex. nut M10 x 1.25	16				
24	209395	Lock washer M10	16				
25	623884	Flat washer 10.5 x 21 x 2 - stainless steel	4				
26	979237	Flat washer 5,30 x 10,0 x 1,0	2				

Controlled copy – Distribution and reproduction prohibited

TIGHTENING PULLEY ASSEMBLY 78-1A (SHAFT 15 X 50,5)

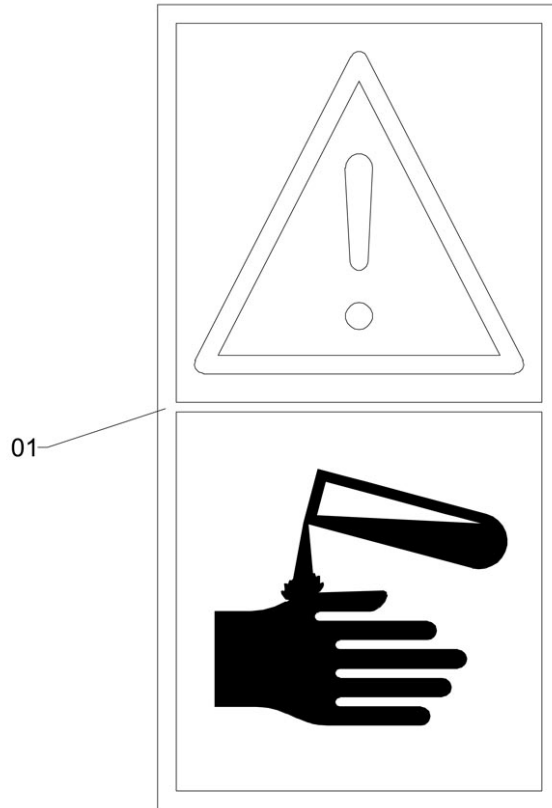


LE-14

Item	CODE	DESCRIPTION	Qty.	Item	CODE	DESCRIPTION	Qty.
00	645416	Tightening pulley assembly 78-1A (Shaft 15 x 50,5)	1				
01	508515	Flat washer 4,3 x 10,2 x 0,8 - stainless steel	8				
02	328781	Fixed bearing	1				
03	817627	Tightening pulley shaft 15 x 50.5	1				
04	910851	Snap ring for shaft 15	1				
05	818112	Flat washer 130 x 240 x 30	1				
06	908582	Lock washer 1/2"	1				
07	912790	Hex. nut 1/2" - 13 UNC	1				
08	1148396	Screw M4 X 0.7 MM 25 Comp	4				
09	644641	Pulley disk 78 - 1A	2				
10	520700	Lock washer 4.3 x 7.1 x 1	4				
11	551523	Hex. nut M-4 x 0.7 stainless steel	4				

Controlled copy – Distribution and reproduction prohibited

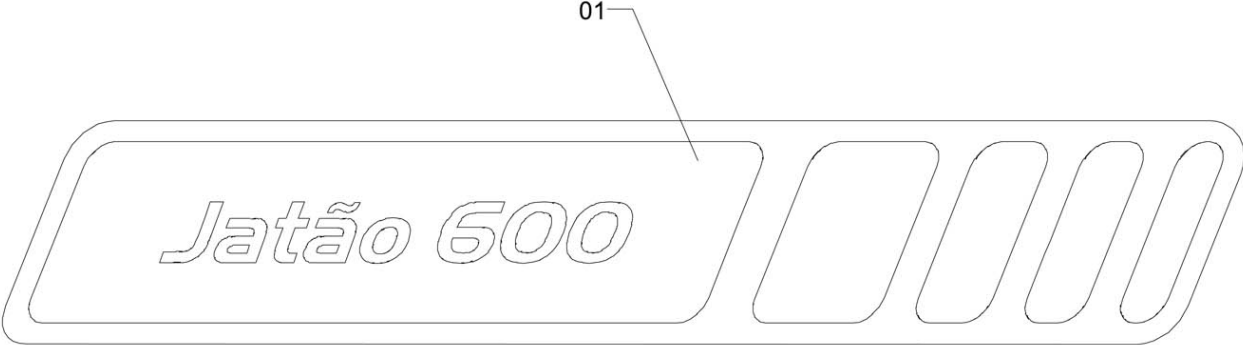
STICKER (HAZARDOUS SUBSTANCES)



ADS-201

Item	CODE	DESCRIPTION	Qty.	Item	CODE	DESCRIPTION	Qty.
00	1163706	Sticker (Hazardous substances)	1				
01	1163706	Sticker "Hazardous Substances"	1				

STICKERS: (J600-LEFT)

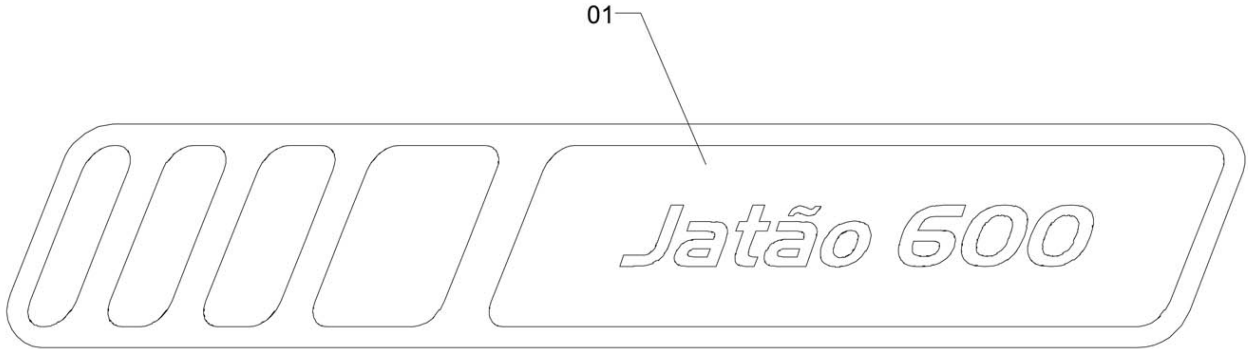


ADS-232

Item	CODE	DESCRIPTION	Qty.
00	1180103	Stickers: (J600-left)	1
01	1180103	Stickers: (J600-left)	1

Item	CODE	DESCRIPTION	Qty.

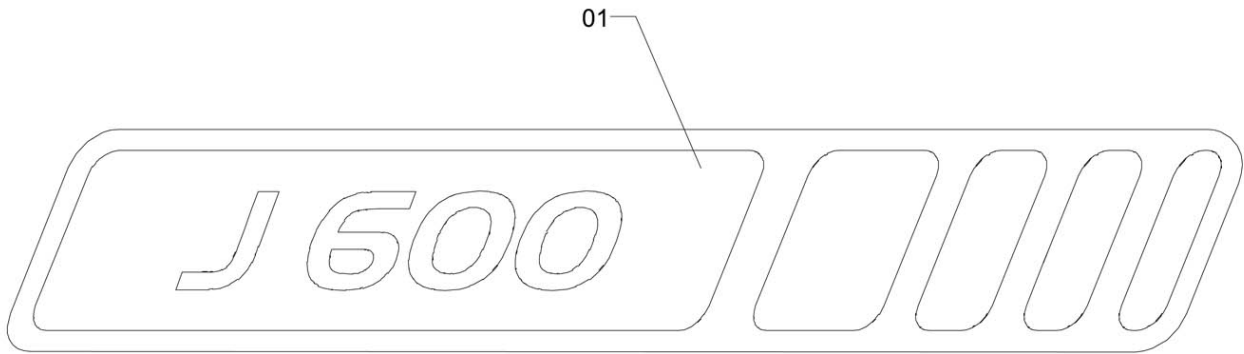
STICKERS: (J600-RIGHT)



ADS-231

Item	CODE	DESCRIPTION	Qty.	Item	CODE	DESCRIPTION	Qty.
00	1180104	Stickers: (J600-right)	1				
01	1180104	Stickers: (J600-right)	1				

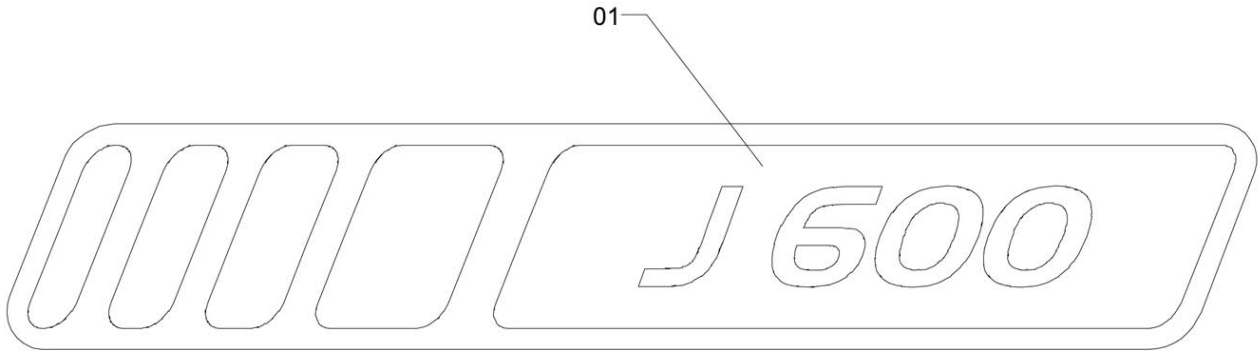
STICKERS: (J600 - LEFT)



ADS-230

Item	CODE	DESCRIPTION	Qty.	Item	CODE	DESCRIPTION	Qty.
00	1180105	Stickers: (J600 - left)	1				
01	1180105	Stickers: (J600 - left)	1				

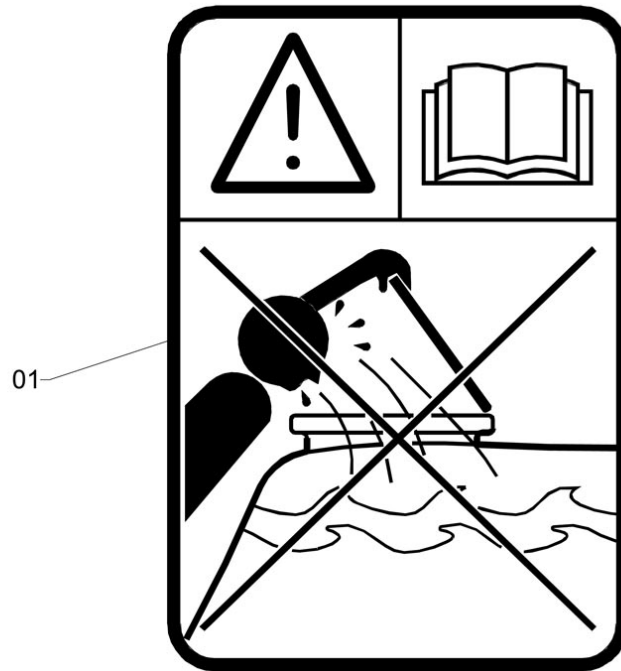
STICKER: (J600- RIGHT)



ADS-229

Item	CODE	DESCRIPTION	Qty.	Item	CODE	DESCRIPTION	Qty.
00	1180106	Sticker: (J600- right)	1				
01	1180106	Sticker: (J600- right)	1				

STICKER (BE CAREFUL WHEN OPENING THE TANK LID)



ADS-200

Item	CODE	DESCRIPTION	Qty.	Item	CODE	DESCRIPTION	Qty.
00	379172	Sticker (Be careful when opening the tank lid)	1				
01	379172	Decal "Attention: Be careful when opening the lid of the main tank."	1				