

J-2600

English version

EDITION - 06/2007

CODE - 979123

Parts catalog



MÁQUINAS AGRÍCOLAS JACTO S.A.

Rua Dr. Luiz Miranda, 1650

17580-000 - Pompéia - SP - Brasil

Tel.: +55 14 3405-2100 - Fax: +55 14 3452 1306

E-mail: export@jacto.com.br

Home page: <http://www.jacto.com.br>

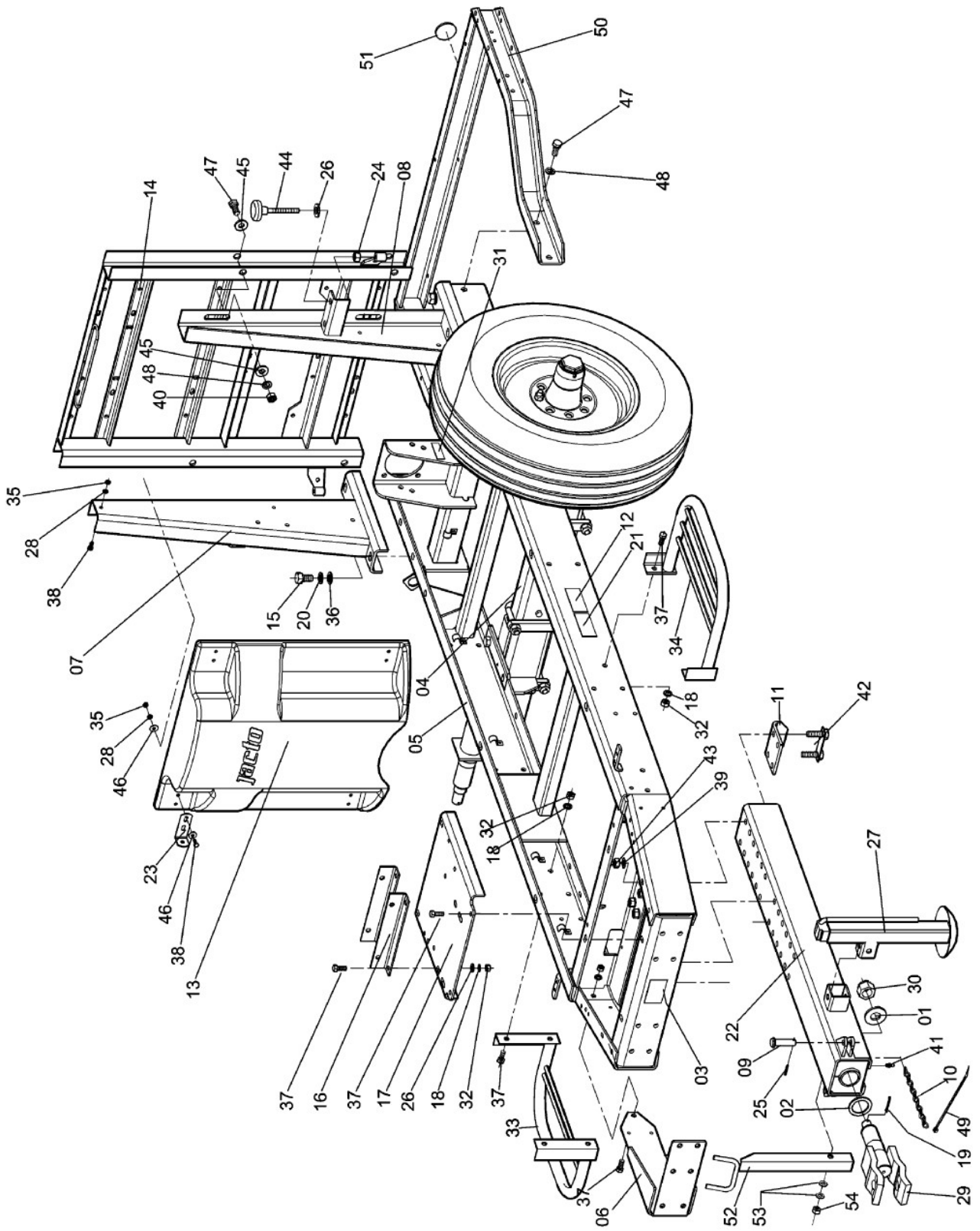
J-2600

EQUIPMENT	PAGE
J-2600 (JP-100) TIRE 11L X 15.....	4

**J-2600 (JP-100) TIRE 11L X 15
(CODE: 279679)**

ENTIRE ASSEMBLIES	PAGE
2,000-LITER SPRAY TANK WITH SEAT	33 49
ACCESSORIES BOX FOR "J-2600"	20 20
ADJUSTABLE AXLE N° 13	41 41
APPLICATION ASSEMBLY	8 8
CABLE ACTUATION BOX	34 34
CABLE BRANCH ASSEMBLY WITH SENSOR	32 32
CHEMICAL CIRCUIT	10 16
CHEMICAL CONTAINER RINSE NOZZLE KIT	36 36
CHEMICAL CONTAINER RINSE NOZZLE ROD	46 46
DIRECTIONAL VALVE	27 27
DRIVE PULLEY WITH GEAR	37 37
DRIVE TRANSMISSION	25 25
DUCT ACTUATION CIRCUIT	18 18
FAN	26 26
FLEXIBLE COUPLING 9	21 48
JACK NO. 10	22 22
LEVEL INDICATOR 11	24 24
MASTERFLOW CONTROL 2000 - 2X2 LEVER AND CABLE	39 39
MECHANICAL AGITATOR	23 23
MULTIPLIER JACTO 6 (1:3)	38 38
PISTON PUMP FOR JACTO 100 /MINL	12 12
QUICK RELIEF ASSEMBLY	14 14
REAR BUMPER	30 30
RIGHT NOZZLE BRANCH	35 35
RINSE NOZZLE	45 45
SAFETY VALVE	28 29 28 29
STICKER: " J-2600 CANNON"	42 42
STICKER: "JACTO" - CANNON SPRAYER E	44 44
STICKER: "JACTO" CANNON SPRAYER D	43 43

TRAILER ASSEMBLY



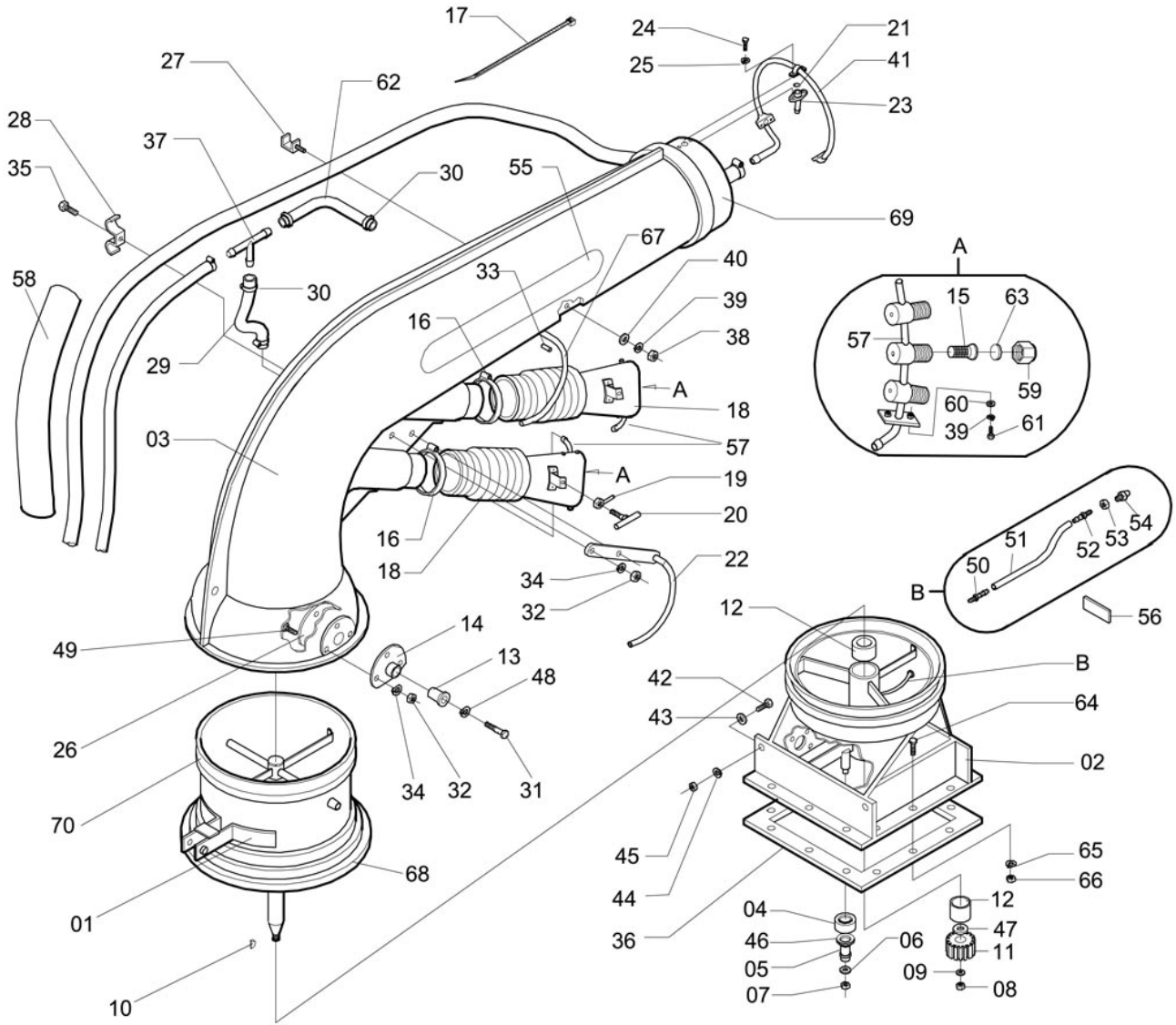
C-67

TRAILER ASSEMBLY

Continuation

Item	CODE	DESCRIPTION	Qty.	Item	CODE	DESCRIPTION	Qty.
00	279695	Trailer assembly	1				
01	001982	Flat washer 300 x 650 x 63	1				
02	007567	Flat washer 500 x 700 x 47.5	1				
03	039396	Sticker: "PTO shaft protection"	1				
04	997551	Adjustable axle n° 13	1				
05	076109	Chassi	1				
06	076216	Pump protector	1				
07	076265	Right column	1				
08	076273	Left column	1				
09	104836	Cylinder shaft	2				
10	118216	Chain 2200	1				
11	137299	Fastening plate	2				
12	156224	Sticker: "Tire Pressure Indicator"	2				
13	173062	Transmission shield	1				
14	174102	Fan Frame	1				
15	174334	Hex. head bolt M-20 x 50 x 1,50 - CL. 8.8	6				
16	175315	Pump support	2				
17	179267	Pump base	1				
18	209163	Lock washer M12	13				
19	209783	Cotter pin ø 3/16" x 1.1/2"	1				
20	211102	Lock washer 20	6				
21	220590	Sticker: "Torque for nut 5/8" UNF" (English)	1				
22	233833	Trailer tongue	1				
23	262717	Transmission Shield	4				
24	326280	Nut ø 1/2" UNC	2				
25	330076	Flexible pin ø 4 x 16 (heavy)	1				
26	418152	Flat washer 132 x 258 x 26.5	10				
27	431064	Jack no. 10	1				
28	519736	Lock washer M8	12				
29	620815	Trailer hitch	1				
30	625160	Castle nut 1.1/8" - 7 UNC	1				
31	625202	Sticker: "Lubricate periodically"	1				
32	427013	Nut ABTN - 1020 thread M12 x 1,50	13				
33	724344	Filter guard rail	1				
34	437616	Platform	1				
35	810770	Hex. nut M-8 x 1.25	12				
36	818153	Flat washer 210 x 370 x 30	6				
37	829432	Bolt M12 x 35 x 1.75	13				
38	829382	Hex head bolt M8 x 25 x 1.25	12				
39	881243	Flat washer 170 x 300 x 19	8				
40	826297	Hex. nut M-16 x 2.00	4				
41	910463	Grease nipple 1/4" - 28 UNF	1				
42	926170	Hitch setting plate	4				
43	228957	Nut ø 5/8" - 18 UNF	8				
44	941948	Tightening screw ø 1/2" - 13 UNC	2				
45	881300	Flat washer 170 x 380 x 3.0	8				
46	733253	Flat washer 82 x 254 x 15	20				
47	934422	Hex. bolt M16 x 50	8				
48	226746	Lock washer ø 5/8"	8				
49	323584	Hose tie	1				
50	325258	Rear bumper					
51	097360	Reflector	2				
52	556704	PTO shaft support	1				
53	715979	Flat spring	2				
54	202663	Hex. nut 1/2" - 13 UNC	1				

APPLICATION ASSEMBLY



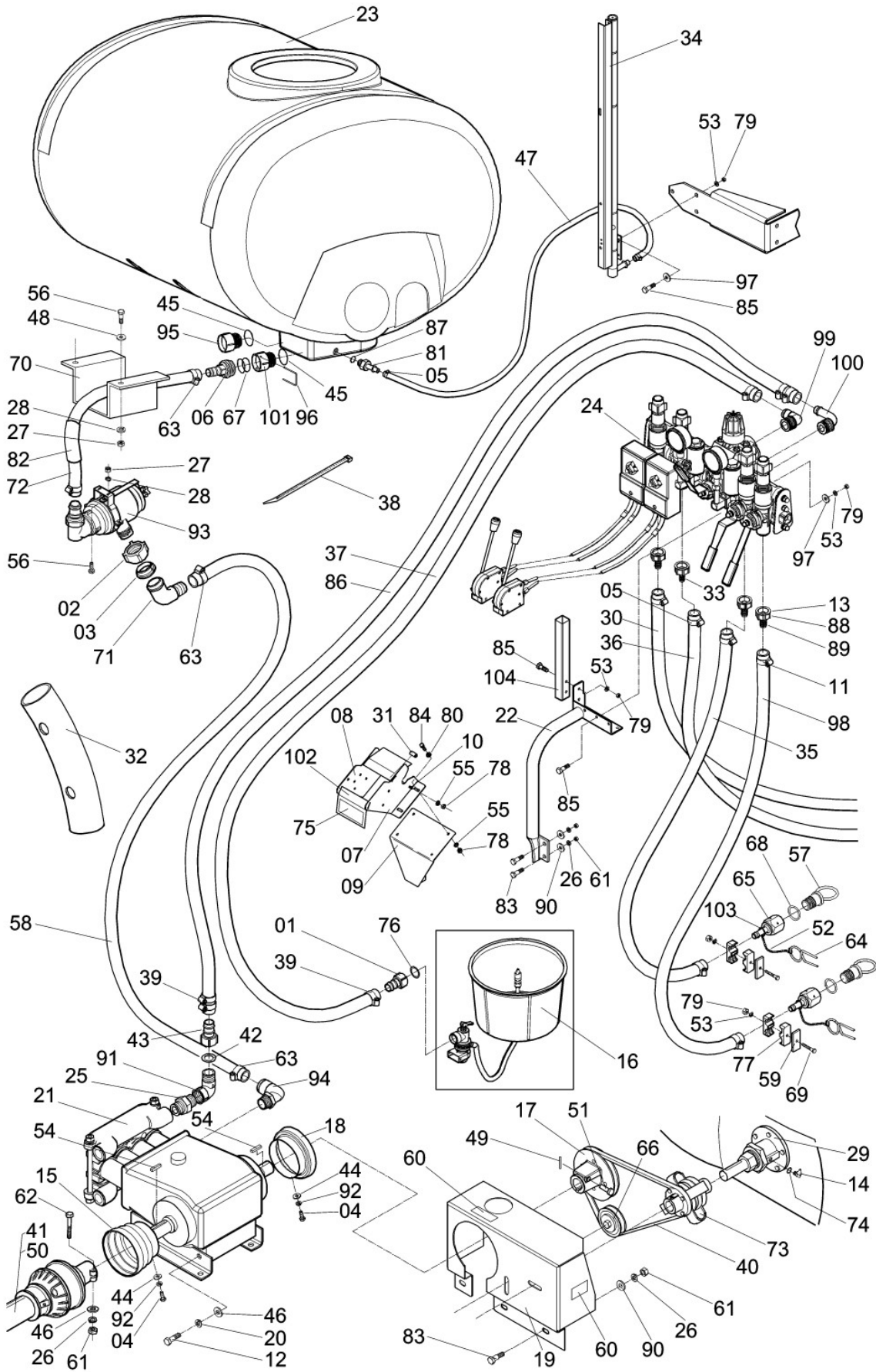
CA-114

APPLICATION ASSEMBLY

Continuation

Item	CODE	DESCRIPTION	Qty.	Item	CODE	DESCRIPTION	Qty.
00	445874	Application assembly	1	59	039545	Hex. nut \varnothing 11/16" - 16 UNC	6
01	519033	Intermediate duct	1	60	707182	Flat washer 63 x 140 x 9.1	4
02	519199	Fixed duct	1	61	910109	Screw \varnothing 1/4" - 20 UNC x 1/2"	4
03	332429	Outlet duct	1	62	216424	Hose \varnothing 9,60 3/8" x 510 PT 80	1
04	520734	Bearing no. 6002	1	63	519645	Blank disk	3
05	519330	Bushing	1	64	829382	Hex head bolt M8 x 25 x 1.25	14
06	214452	Flat washer 100 x 180 x 6	1	65	519736	Lock washer M8	14
07	108761	Nut 3/8" - 16 UNC]	1	66	810770	Hex. nut M-8 x 1.25	14
08	521021	Nut M-16 X 1.50 DODI LOC	1	67	332478		1
09	881243	Flat washer 170 x 300 x 19	1	68	519140		1
10	519348	Half moon key 6 x 9 x 22	1	69	519421		1
11	519355	Gear	1	70	519173		1
12	519322	Bushing	2				
13	620682	Bushing 15.9 x 28	2				
14	620633	External bearing	2				
15	439083	Nozzle filter (50 mesh)	6				
16	332635	Clamp D102-121 - stainless steel	2				
17	326710	Hose tie	1				
18	337972	Lower outlet hose	2				
19	823682	Lock nut 5/16" - 18 UNC x 28	2				
20	944439	Locking screw 5/16" - 18 UNC x 28	2				
21	411884	O-ring ORI - 111	3				
22	332569	Lower slide	1				
23	519603	Deflector nozzle 30°	3				
24	202382	Screw \varnothing 3/16" UNC x 3/4"	6				
25	520676	Lock washer M5	6				
26	620674	Internal bearing	2				
27	519363	Single fastener	1				
28	519389	Double fastener	1				
29	421107	Hose 3/8" x 330	1				
30	063370	Clamp D 12-16 - stainless steel	4				
31	912717	Bolt 3/8" x 16 UNC x 1.3/4"	2				
32	912758	Hex. nut 5/16" - 18 UNC	6				
33	626200	Rivet "POP" 6.2 x 21.6	3				
34	519736	Lock washer M8	1				
35	912667	Bolt 5/16" x 18 UNC x 7/8	1				
36	519702	Packing 32 x 325 x 3.20	4				
37	409169	Tee fitting for hose \varnothing 3/8"	1				
38	912741	Nut \varnothing 1/4" - 20 UNC	1				
39	910117	Lock washer \varnothing 1/4"	5				
40	413468	Flat washer 68 x 190 x 12	1				
41	521617	Upper nozzle branch	1				
42	829515	Hex. bolt M10 x 30 x 1.5	4				
43	422436	Flat washer 104 x 254 x 19	2				
44	209395	Lock washer M10	4				
45	209205	Hex. nut M10 x 1,50	4				
46	705129	Flat washer 152 x 272 x 9	1				
47	544932	Flat washer 260 x 420 x 1.4	2				
48	908566	Lock washer \varnothing 3/8"	2				
49	833814	Screw \varnothing 5/16" UNC x 1"	6				
50	426205	Male fitting for hose \varnothing 1/4"	1				
51	625269	Hose \varnothing 6.35 - 1/4" x 110	1				
52	426189	Grease nipple fitting	1				
53	916627	Nut 7/16" - 14 UNC	1				
54	910463	Grease nipple 1/4" - 28 UNF	1				
55	049379	Sticker: "Jacto" Cannon Sprayer D	1				
55A	049387	Sticker: "Jacto" - Cannon Sprayer E	1				
56	625202	Sticker: "Lubricate periodically"	1				
57	332536	Lower nozzle branch	2				
58	801167	Protective hose 2" x 400	1				

CHEMICAL CIRCUIT



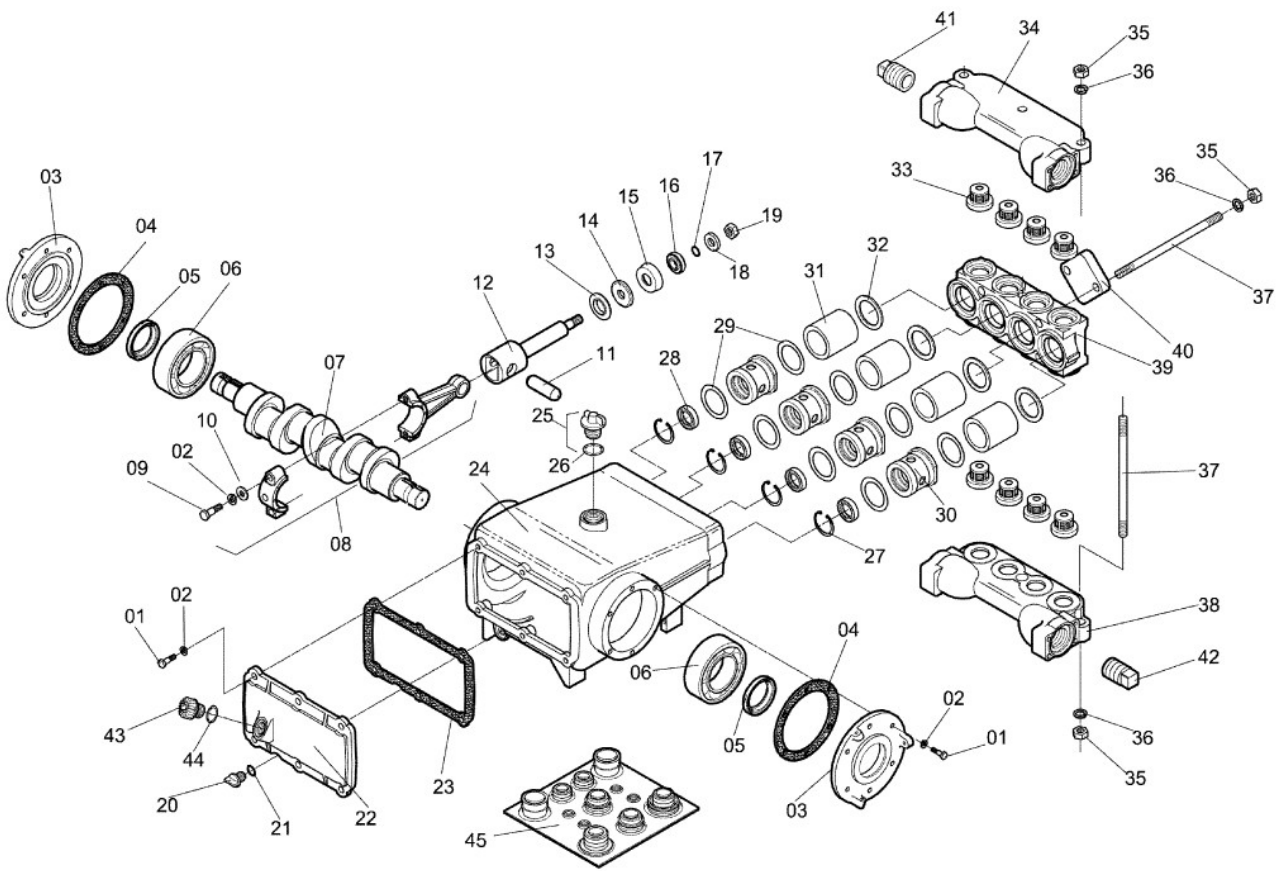
CD-290

CHEMICAL CIRCUIT

Continuation

Item	CODE	DESCRIPTION	Qty.	Item	CODE	DESCRIPTION	Qty.
00	279687	Chemical circuit	1	57	489617	Quick fitting - plug	1
01	117556	Fitting for hose Ø 1.1/4" with nut and seal	1	58	613703	Hose 2" x 495	1
02	005900	Coupling nut	1	59	618405	Semiclamp plate 25 x 17	2
03	005918	Locking ring	1	60	625202	Sticker: "Lubricate periodically"	2
04	007229	Bolt 1/4" x 20 UNC x 3/4"	6	61	427013	Nut ABTN - 1020 thread M12 x 1,50	6
05	063370	Clamp D 12-16 - stainless steel	1	62	626242	Bolt M-12 x 80 x 1.75	1
06	066043	Hose fitting ø 2"	1	63	626580	Clamp D51-64	4
07	067074	Left support rest	1	64	636399	Quick fitting clamp	2
08	067488	Support rest	1	65	636407	Spray gun quick fitting 1/2"	2
09	071357	Base	1	66	645416	Tightening pulley assembly 78 (Shaft ø 15 x 50,5)	1
10	095489	Stud bolt M6 x 150 x 1,00	2	67	660787	O-ring OR1-135	2
11	107664	Clamp D14-22 - stainless steel	6	68	706796	O-ring OR1-114	2
12	108332	Hex. bolt 1/2" - 13 UNC x 1.1/4"	4	69	715490	Hex. bolt M8 x 50 x 1.25	2
13	110494	O-ring OR1-116	4	70	724195	Protector	1
14	111245	Grease nipple 1/4" x 28 UNF x 45	1	71	725135	Curve hose fitting 2" x 90	1
15	118224	Cross shield	1	72	727792	Hose 2" x 340	1
16	134239	Chemical container rinse nozzle kit	1	73	727925	Flexible coupling 9	1
17	174714	Flange with Pulley	1	74	731083	Ring ø 6.45 x ø 7.94 x 2	1
18	174722	Cross shield	1	75	268615	Sticker	1
19	174730	Agitator Support	1	76	731521	O-ring OR1 - 124	1
20	908582	Lock washer 1/2"	4	77	732040	Semiclamp for tube 19	4
21	281709	Piston pump for Jacto 100 /minL	1	78	810689	Hex. nut M6 x 1.00	8
22	174920	Control support	1	79	810770	Hex. nut M-8 x 1.25	8
23	270223	2,000-liter spray tank with seat	1	80	818088	Flat washer 71 x 159 x 16	4
24	195453	Masterflow Control 2000 - 2x2 Lever and cable	1	81	998963	Fitting 1/4" BSP for hose 3/8"	1
25	202861	Nipple 1" BSP - 11 F.P.P.	1	82	066589	Protective hose 76.2 x 170	1
26	209163	Lock washer M12	10	83	832170	Hex. bolt M12 x 45 x 1.75 cl 5.8	5
27	209205	Hex. nut M10 x 1,50	4	84	829507	Hex. head bolt M6 x 16 x 1.00	4
28	209395	Lock washer M10	4	85	829382	Hex head bolt M8 x 25 x 1.25	6
29	213447	Mechanical agitator	1	86	845644	Hose ø 1" x 500	1
30	242818	Hose Ø 1/2" x 6300	1	87	859181	O-ring OR2-111	1
31	262725	Bushing ø int. 7x20,6	4	88	867044	Nut for branch outlet	4
32	262733	Protective hose Ø 3" x 2000	2	89	867085	Fitting Ø 1/2" with flange Ø 23.6	3
33	262741	Flanged fitting for hose ø 3/8"	1	90	818112	Flat washer 130 x 240 x 30	5
34	263301	Level indicator 11	1	91	908426	Male/female elbow 1" BSP	1
35	267070	Hose Ø 1/2" x 3000	1	92	910117	Lock washer ø 1/4"	6
36	267088	Hose Ø 3/8" x 5300	1	93	941344	Suction filter FVS-200	1
37	322271	Hose Ø 1.1/4" x 1000 - blue	1	94	969386	Hose fitting 2" x 1.1/4" BSP T 90	1
38	323584	Hose tie	6	95	969394	Tank sump fitting	1
39	330969	Clamp D25-38 - stainless steel	6	96	970103	Lock 56	1
40	916106	Belt A-35	1	97	979237	Flat washer 5,30 x 10,0 x 1,0	4
41	344762	PTO shaft (optional)	1	98	111559	Hose Ø 1/2" x 3550	1
42	402412	Lock washer ø 31 x 22.5 x 22.5/3.0	1	99	989053	Elbow fitting 1.1/4" x 90°	1
43	954305	Fitting 1"	1	100	989087	Hose fitting ø 1"	1
44	413468	Flat washer 68 x 190 x 12	6	101	991703	Tank sump fitting	1
45	417717	O-ring OR1-227	2	102	071779	Identification plate	2
46	418152	Flat washer 132 x 258 x 26.5	5	103	622969	Double ring ø 22 x 26 x 3	2
47	421099	Hose Ø 3/8" x 750 - PT-80	1	104	470658	Actuator base fastener	1
48	422436	Flat washer 104 x 254 x 19	2				
49	427294	Cotter pin ø 4 x 25	1				
50	428631	Sticker: Pto shaft instructions	1				
51	435487	Pin ø 12 x 55	1				
52	437822	Chain 120 mm	2				
53	519736	Lock washer M8	8				
54	519793	Square key 9.53 (3/8") x 45	2				
55	521666	Lock washer M6	8				
56	541623	Bolt M10 x 25 x 1.50	4				

PISTON PUMP FOR JACTO 100 /MINL

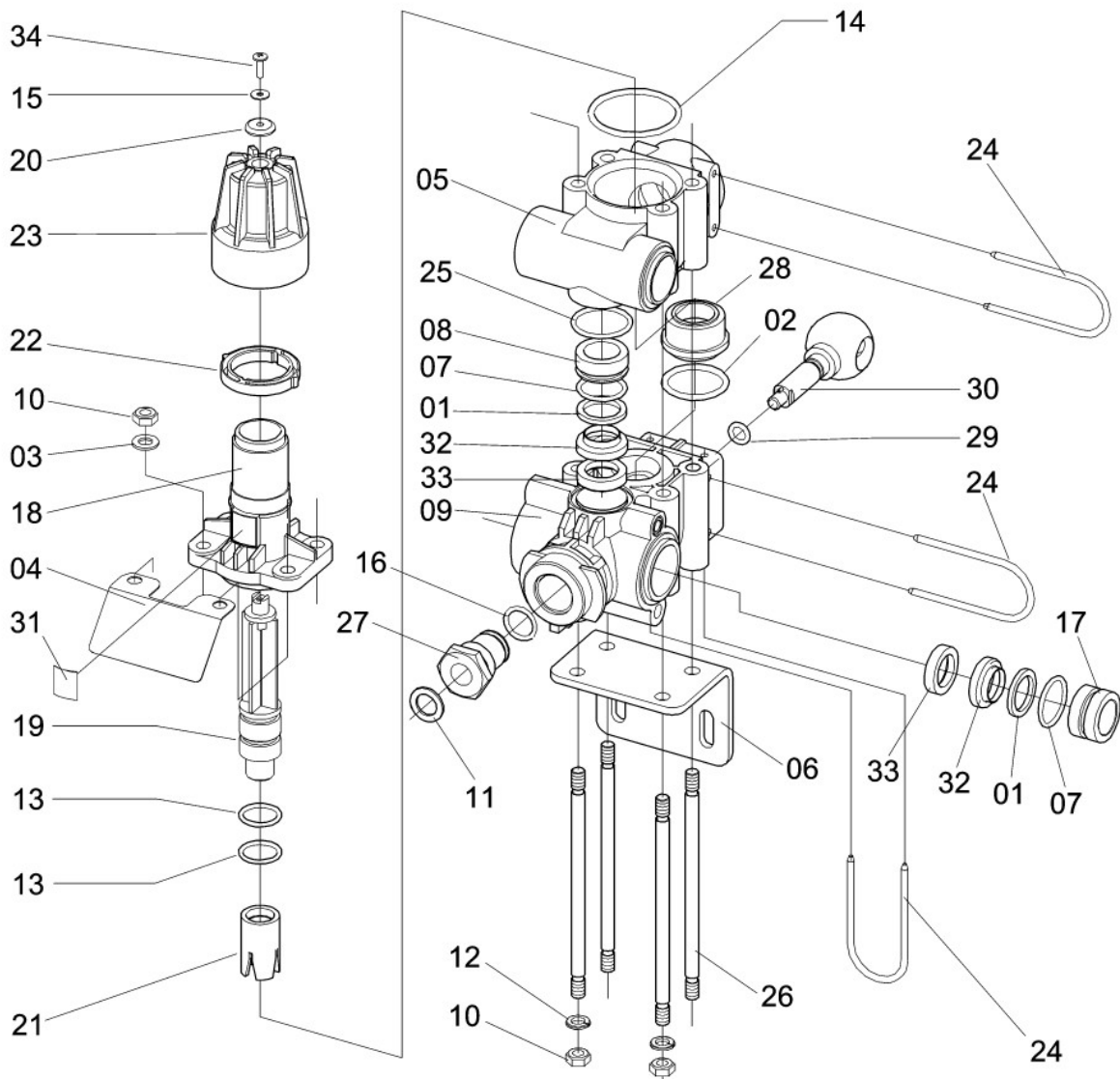


PISTON PUMP FOR JACTO 100 /MINL

Continuation

Item	CODE	DESCRIPTION	Qty.	Item	CODE	DESCRIPTION	Qty.
00	281709	Piston pump for Jacto 100 /minL	1				
01	913608	Hex. head bolt 5/16" - 18 UNC x 3/4"	6				
02	519736	Lock washer M8	6				
03	228395	Flange with wing	2				
04	912147	Packing	2				
05	106930	Retainer	2				
06	107557	Fixed bearing	2				
07	281105	Crankshaft 430	1				
08	054536	Connecting rod assembly	4				
09	831503	Hex. bolt 5/16"-18 UNC x 1.3/4"	8				
10	013433	Flat washer	8				
11	911677	Connecting rod shaft	4				
12	012922	Rod guide	4				
13	211524	Scraper ring	4				
14	911842	Piston cup assembly	4				
15	211482	Piston cup	4				
16	211375	Piston	4				
17	901405	O-ring ORI-014	4				
18	911867	Flat washer 130 x 254 x 50	4				
19	324178	Nut ø 1/4" - 20 UNF	4				
20	520775	Drain plug 1/4" BSP	1				
21	325290	O-ring OR1-112	1				
22	911743	Pump cover	1				
23	911735	Packing 130 x 235 x 1.59	1				
24	911594	Pump body	1				
25	328542	Plug ø 3/4" BSP	1				
26	012724	O-ring ORI-119	1				
27	107524	Snap ring for hole ø 36	4				
28	106922	Retainer ø 22 x 35.2 x 7	4				
29	912154	Packing ø 54 x 41.5 x 0.4	4				
30	911750	Sleeve guide ø 35	4				
31	423517	Pump sleeve	4				
32	912493	Seal washer ø 54 x 2.0	4				
33	261404	Pump valve	8				
33A	508333	Valve packing	8				
34	729111	Valves cover ø 1"	1				
35	912790	Hex. nut 1/2" - 13 UNC	6				
36	908582	Lock washer 1/2"	6				
37	911974	Stud bolt ø 1/2" - 13 UNC x 210	3				
38	911966	Valves cover 1.1/4" BSP	1				
39	911834	Pump head	1				
40	911883	Clip plate	2				
41	911305	Plug ø 1/2" BSP	1				
42	208363	Plug ø 1.1/4" BSP	1				
43	213736	Plug 1/2" BSP	1				
44	210146	O-ring OR1-117	1				
45	108126	Repair kit	1				

QUICK RELIEF ASSEMBLY



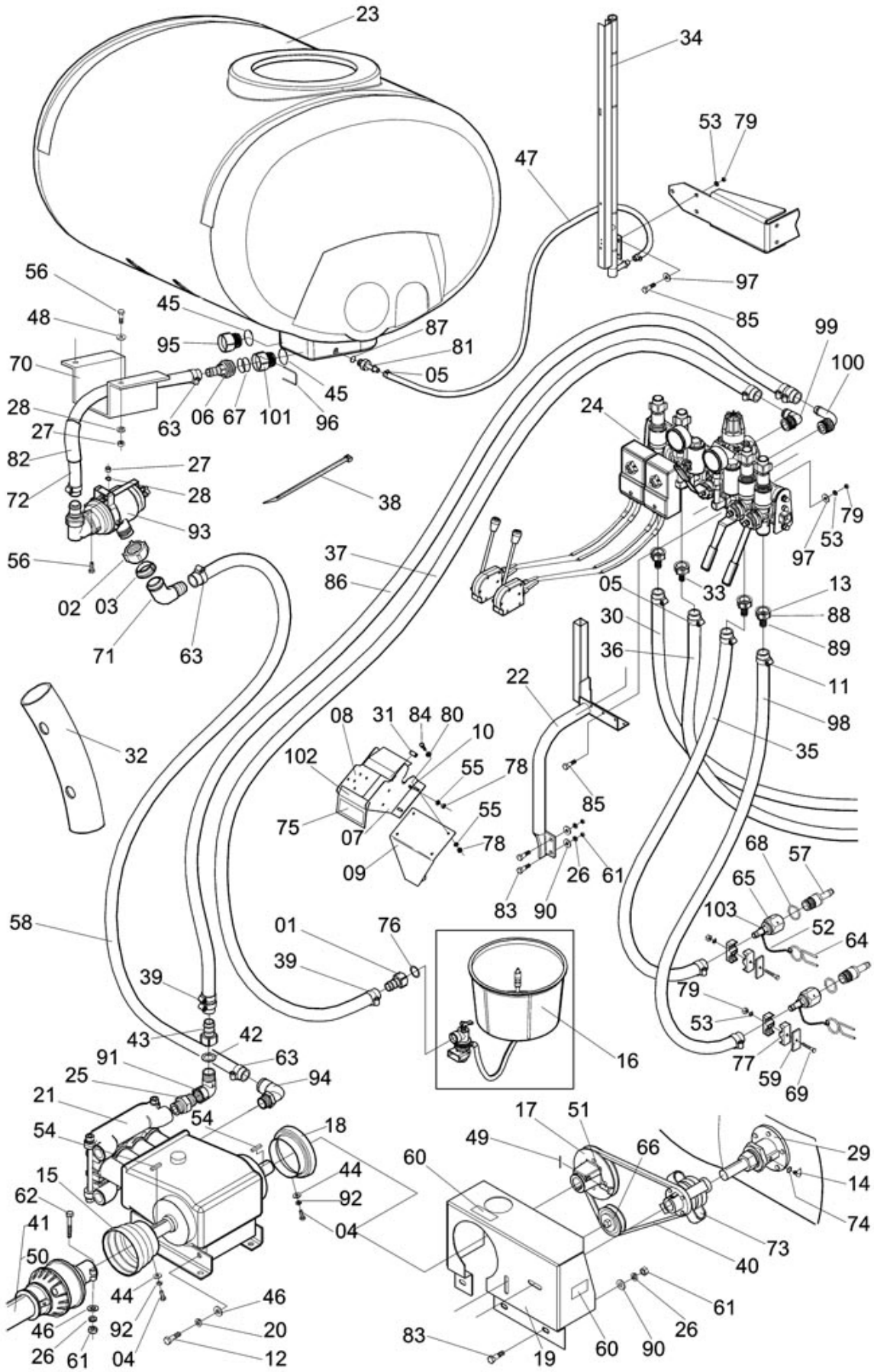
CV-150

QUICK RELIEF ASSEMBLY

Continuation

Item	CODE	DESCRIPTION	Qty.	Item	CODE	DESCRIPTION	Qty.
00	195438	Quick relief assembly	1				
01	010827	Packing ring ø 29 x 22 x 3	3				
02	011593	O-ring OR1-219	1				
03	013433	Flat washer	4				
04	044040	Identification plate	1				
05	049494	Quick relief body	1				
06	057356	Fastening support	1				
07	106955	O-ring OR1-120	3				
08	165274	Seat bushing	1				
09	165811	Body base	1				
10	221648	Nut M8 x 1.25 - stainless steel	8				
11	414748	O-ring ø 22 x 1.5	1				
12	519736	Lock washer M8	4				
13	531806	O-ring OR1-117	2				
14	735282	O-ring OR2-225	1				
15	762088	Flat washer 37 x 110 x 8	1				
16	832857	O-ring OR1-115	1				
17	860080	Quick relief seat bushing	2				
18	861468	Pressure regulator cylinder	1				
19	861476	Pressure regulator cylinder rod	1				
20	861484	Rod locking washer	1				
21	861492	Regulator body	1				
22	861500	Pressure regulator lock spring	1				
23	861518	Manual pressure regulator knob	1				
24	868372	Nozzles U-shaped clamp	3				
25	881839	O-ring OR2-124	1				
26	945907	Stud bolt M8 x 1.25 x 156	4				
27	946079	Core seat	1				
28	946145	Valve seat	1				
29	955617	O-ring OR2-110	1				
30	974154	Quick relief spherical core	1				
31	980250	Identification plate	1				
32	982736	Sleeve (teflon)	3				
33	982744	Seal seat	3				
34	997171	Flanged head screw 3.5 x 14	1				

CHEMICAL CIRCUIT



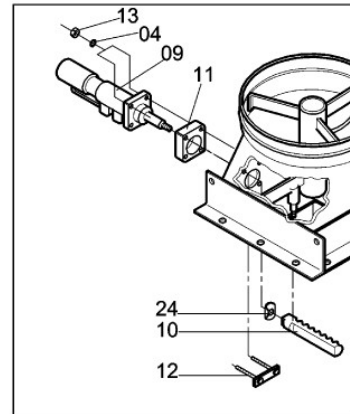
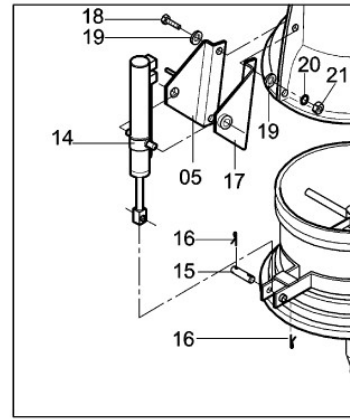
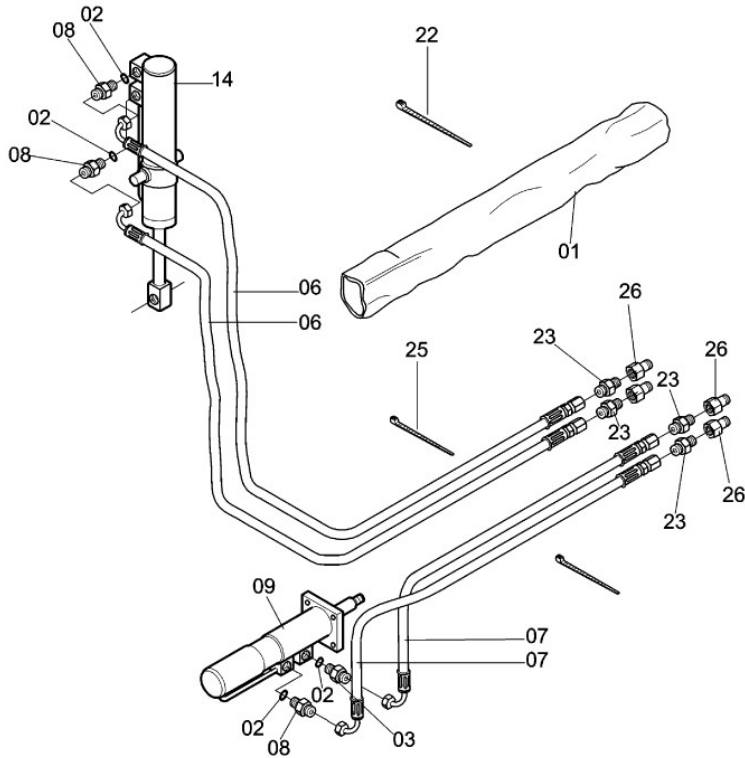
CD-190

CHEMICAL CIRCUIT

Continuation

Item	CODE	DESCRIPTION	Qty.	Item	CODE	DESCRIPTION	Qty.
00	279687	Chemical circuit	1	57	086447	Quick fitting 1/2"	2
01	117556	Fitting for hose Ø 1.1/4" with nut and seal	1	58	613703	Hose 2" x 495	1
02	005900	Coupling nut	1	59	618405	Semiclamp plate 25 x 17	2
03	005918	Locking ring	1	60	625202	Sticker: "Lubricate periodically"	2
04	007229	Bolt 1/4" x 20 UNC x 3/4"	6	61	427013	Nut ABTN - 1020 thread M12 x 1,50	6
05	063370	Clamp D 12-16 - stainless steel	1	62	626242	Bolt M-12 x 80 x 1.75	1
06	066043	Hose fitting ø 2"	1	63	626580	Clamp D51-64	4
07	067074	Left support rest	1	64	636399	Quick fitting clamp	2
08	067488	Support rest	1	65	636407	Spray gun quick fitting 1/2"	2
09	071357	Base	1	66	645416	Tightening pulley assembly 78 x 1A (PE-78 I)	1
10	095489	Stud bolt M6 x 150 x 1,00	2	67	660787	O-ring OR1-135	2
11	107664	Clamp D14-22 - stainless steel	6	68	706796	O-ring OR1-114	2
12	108332	Hex. bolt 1/2" - 13 UNC x 1.1/4"	4	69	715490	Hex. bolt M8 x 50 x 1.25	2
13	110494	O-ring OR1-116	4	70	724195	Protector	1
14	111245	Grease nipple 1/4" x 28 UNF x 45	1	71	725135	Curve hose fitting 2" x 90	1
15	118224	Cross shield	1	72	727792	Hose 2" x 340	1
16	134239	Chemical container rinse nozzle kit	1	73	727925	Flexible coupling 9	1
17	174714	Flange with Pulley	1	74	731083	Ring ø 6.45 x ø 7.94 x 2	1
18	174722	Cross shield	1	75	268615	Sticker	1
19	174730	Agitator Support	1	76	731521	O-ring OR1 - 124	1
20	908582	Lock washer 1/2"	4	77	732040	Semiclamp for tube 19	4
21	281709	Piston pump for Jacto 100 /minL	1	78	810689	Hex. nut M6 x 1.00	8
22	174920	Control support	1	79	810770	Hex. nut M-8 x 1.25	6
23	270223	2,000-liter spray tank with seat	1	80	818088	Flat washer 71 x 159 x 16	4
24	195453	Masterflow Control 2000 - 2x2 Lever and cable	1	81	998963	Fitting 1/4" BSP for hose 3/8"	1
25	202861	Nipple 1" BSP - 11 F.P.P.	1	82	066589	Protective hose 76.2 x 170	1
26	209163	Lock washer M12	10	83	832170	Hex. bolt M12 x 45 x 1.75 cl 5.8	5
27	209205	Hex. nut M10 x 1,50	4	84	829507	Hex. head bolt M6 x 16 x 1.00	4
28	209395	Lock washer M10	4	85	829382	Hex head bolt M8 x 25 x 1.25	4
29	213447	Mechanical agitator	1	86	845644	Hose ø 1" x 500	1
30	242818	Hose Ø 1/2" x 6300	1	87	859181	O-ring OR2-111	1
31	262725	Bushing ø int. 7x20,6	4	88	867044	Nut for branch outlet	4
32	262733	Protective hose Ø 3" x 2000	2	89	867085	Fitting Ø 1/2" with flange Ø 23.6	3
33	262741	Flanged fitting for hose ø 3/8"	1	90	818112	Flat washer 130 x 240 x 30	5
34	263301	Level indicator 11	1	91	908426	Male/female elbow 1" BSP	1
35	267070	Hose Ø 1/2" x 3000	1	92	910117	Lock washer ø 1/4"	6
36	267088	Hose Ø 3/8" x 5300	1	93	941344	Suction Filter FVS-200	1
37	322271	Hose Ø 1.1/4" x 1000 - blue	1	94	969386	Hose fitting 2" x 1.1/4" BSP T 90	1
38	323584	Hose tie	6	95	969394	Tank sump fitting	1
39	330969	Clamp D25-38 - stainless steel	6	96	970103	Lock 56	1
40	916106	Belt A-35	1	97	979237	Flat washer 5,30 x 10,0 x 1,0	4
41	344762	PTO shaft (optional)	1	98	111559	Hose Ø 1/2" x 3550	1
42	402412	Lock washer ø 31 x 22.5 x 22.5/3.0	1	99	989053	Elbow fitting 1.1/4" x 90°	1
43	954305	Fitting 1"	1	100	989087	Hose fitting ø 1"	1
44	413468	Flat washer 68 x 190 x 12	6	101	991703	Tank sump fitting	1
45	417717	O-ring OR1-227	2	102	071779	Identification plate	2
46	418152	Flat washer 132 x 258 x 26.5	5	103	622969	Double ring ø 22 x 26 x 3	2
47	421099	Hose Ø 3/8" x 750 - PT-80	1				
48	422436	Flat washer 104 x 254 x 19	2				
49	427294	Cotter pin ø 4 x 25	1				
50	428631	Sticker: Pto shaft instructions	1				
51	435487	Pin ø 12 x 55	1				
52	437822	Chain 120 mm	2				
53	519736	Lock washer M8	6				
54	519793	Square key 9.53 (3/8") x 45	2				
55	521666	Lock washer M6	8				
56	541623	Bolt M10 x 25 x 1.50	4				

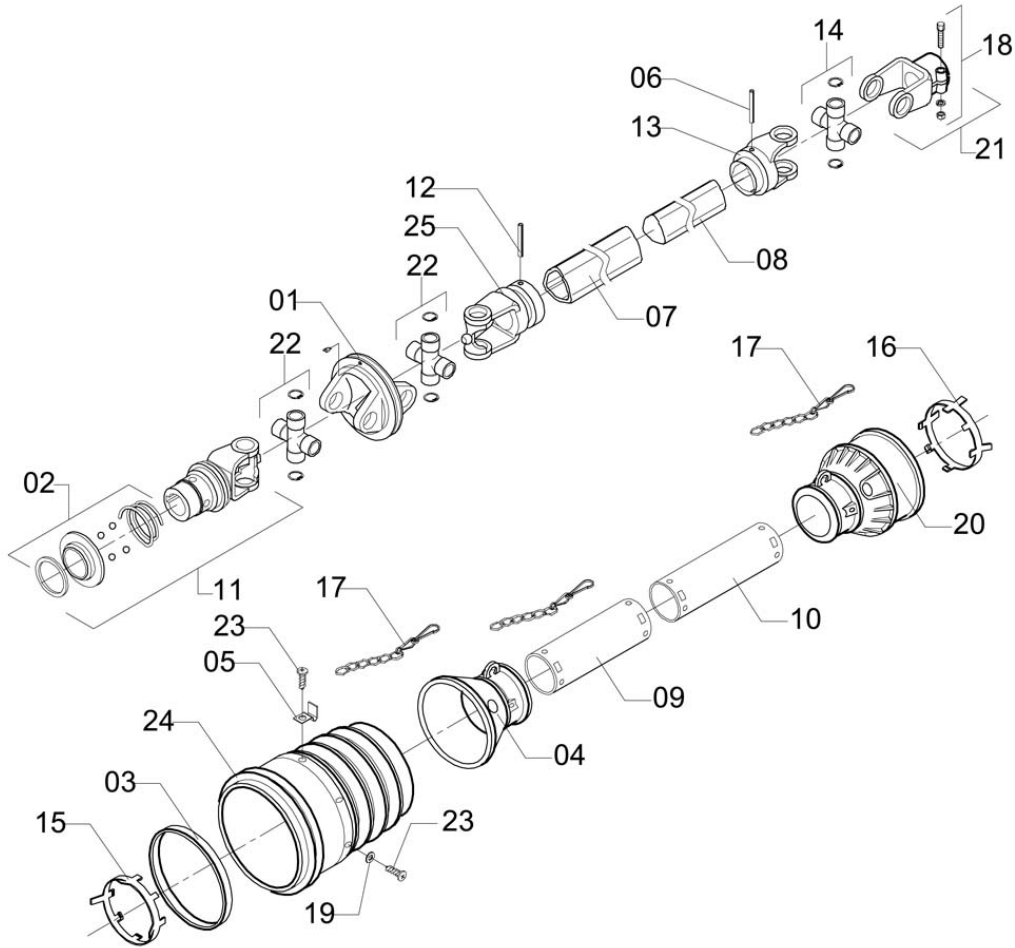
DUCT ACTUATION CIRCUIT



CH-44

Item	CODE	DESCRIPTION	Qty.	Item	CODE	DESCRIPTION	Qty.
00	175349	Duct actuation circuit	1	24	903591	Seal washer \varnothing 25.8 x 13.4 x 1.25	1
01	074401	Protective hose 50 x 2200	1	25	326710	Hose tie	2
02	426361	O-ring OR2-905	4	26	355289	Male quick fitting with plug 1/2" NPT	4
03	521906	Dosage nipple 0.50	1				
04	519736	Lock washer M8	4				
05	926337	Cylinder support	1				
06	176685	Hose MHMP-04 1/4" x 6900	2				
07	062521	Hose MHMP-04 - 1/4"	2				
08	982728	Dosage nipple \varnothing 0.90	3				
09	519967	Hydraulic cylinder \varnothing 32 x 100	1				
09A	130674	Repair kit	1				
10	519975	Rack	1				
11	519983	Hydraulic cylinder spacer	1				
12	520999	Clip plate	2				
13	912758	Hex. nut 5/16" - 18 UNC	4				
14	519991	Hydraulic cylinder \varnothing 32 x 160	1				
14A	130690	Repair kit for cylinder (Focker)	1				
15	520015	Joint pin	1				
16	808451	Cotter pin \varnothing 3/32" x 3/4"	2				
17	926345	Cylinder support	1				
18	829515	Hex. bolt M10 x 30 x 1.5	3				
19	422436	Flat washer 104 x 254 x 19	6				
20	209395	Lock washer M10	3				
21	209205	Hex. nut M10 x 1,50	3				
22	323584	Hose tie	2				
23	262766	Nipple 1/2" - 20 UNF x 1/2" NPT	4				

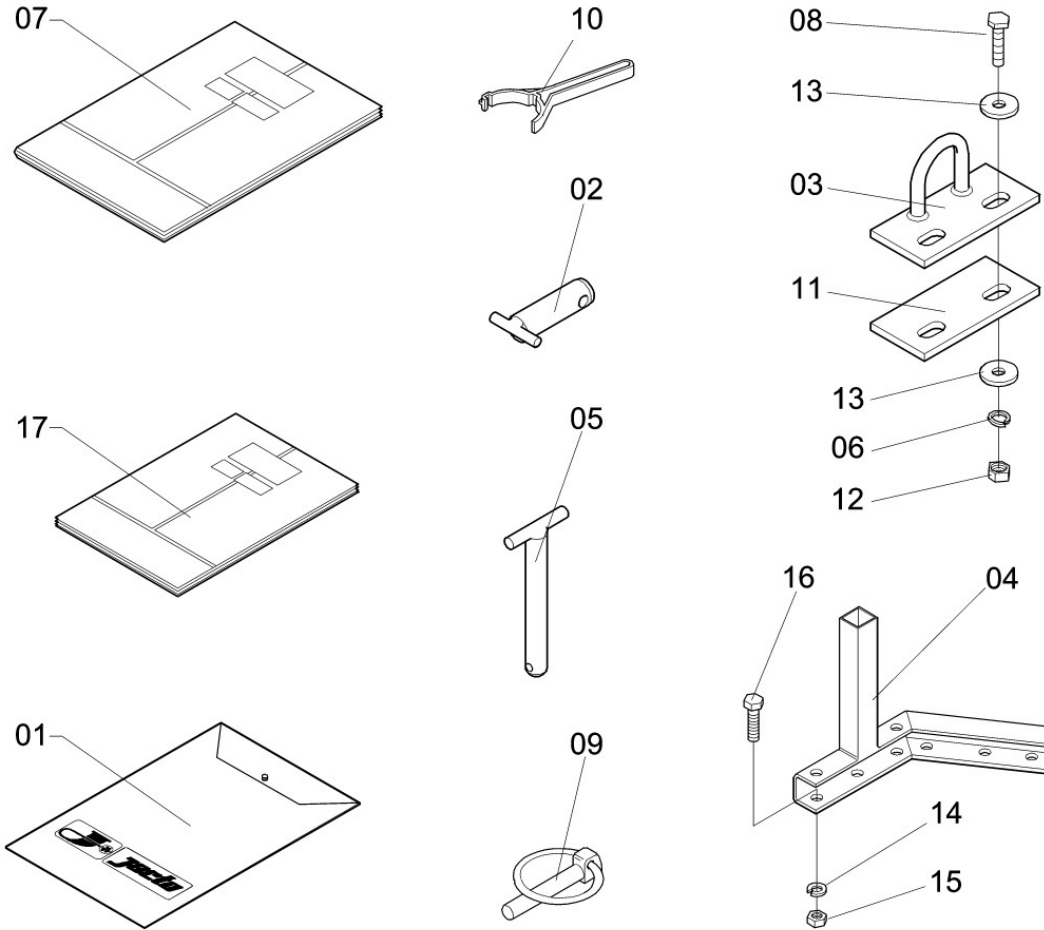
WIDE ANGLE CV PTO SHAFT



CN-27

Item	CODE	DESCRIPTION	Qty.	Item	CODE	DESCRIPTION	Qty.
00	344762	Wide angle CV PTO shaft	1				
01	008839	Central body	1				
02	585414	PTO end blocking kit - 6 grooves	1				
03	169292	Cross guard lock	1				
04	169326	Intermediate guard (tractor end)	1				
05	169334	PTO shaft chain hook	1				
06	227173	Flexible pin ø10 x 65	1				
07	640730	Female tube	1				
08	640748	Male tube	1				
09	640755	Shield (female tube)	1				
10	640763	Shield (male tube)	1				
11	399550	Coupling end - PTO end (1.3/8"Z=6)	1				
12	456970	Flexible pin	1				
13	457010	Male tube coupling end	1				
14	457028	Cross	1				
15	457069	Shield lock	1				
16	457119	Shield lock	1				
17	457127	Chain	3				
18	457192	Bolt and nut	1				
19	501692	Flat washer 52 x 120 x 12	5				
20	572321	Cross shield (sprayer end)	1				
21	640623	Coupling end (sprayer end)	1				
22	681676	Cross assembly	2				
23	856229	Self-tapping bolt with slot PH. 4.8 x 22	6				
24	876789	Central body guard - tractor end	1				
25	876797	Female tube end	1				

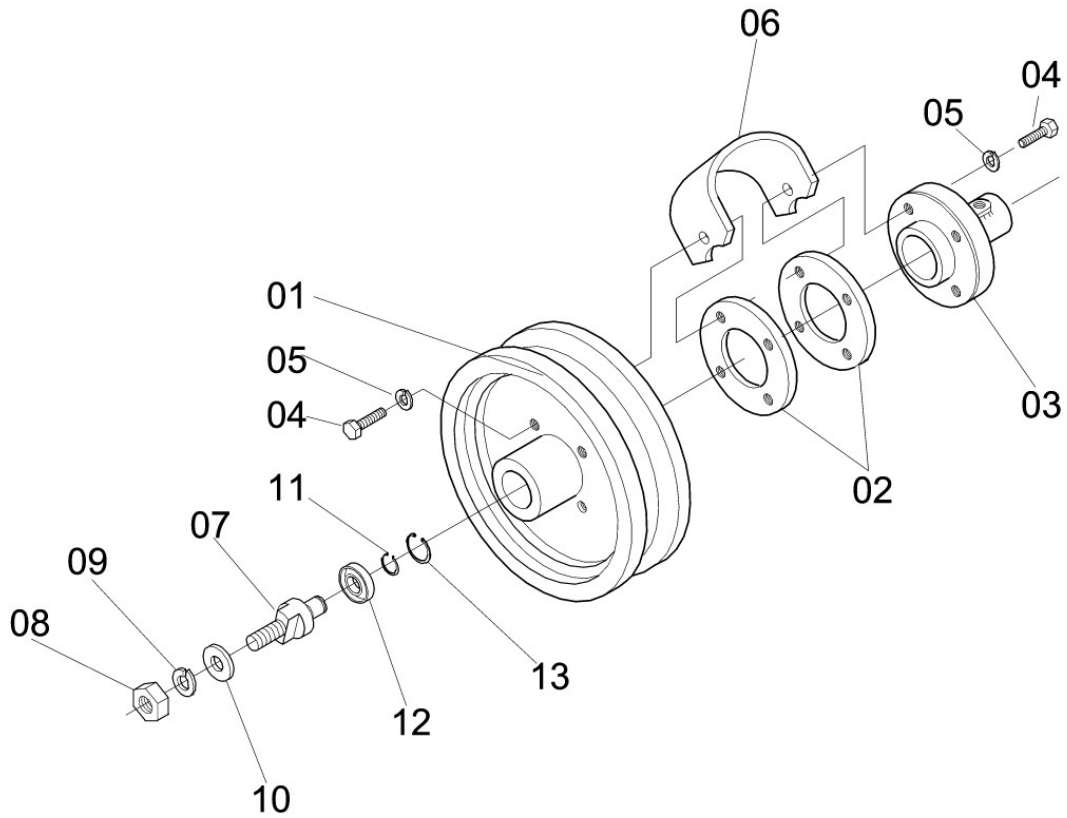
ACCESSORIES BOX FOR "J-2600"



CXA-278

Item	CODE	DESCRIPTION	Qty.	Item	CODE	DESCRIPTION	Qty.
00	175323	Accessories box for "J-2600"	1				
01	867127	Plastic folder	1				
02	118190	Chain fastening pin	1				
03	118208	Chain holder	1				
04	343723	Control support	1				
05	824003	Tee pin	1				
06	764142	Lock washer M16	2				
07	928085		1				
08	764225	Screw M16 x 90 x 2.00	2				
09	330407	Universal lock pin 5/16"	2				
10	703694	Key 40-45	1				
11	819680	Chain holder clip plate	1				
12	742015	Nut M16 x 1.50	2				
13	881300	Flat washer 170 x 380 x 3.0	4				
14	209395	Lock washer M10	2				
15	907030	Hex. nut M10 x 1.25	2				
16	757559	Hex. bolt M10 x 30 x 1.25	2				
17	907212	Operator's manual Chemical container rinse nozzle (USA)	1				

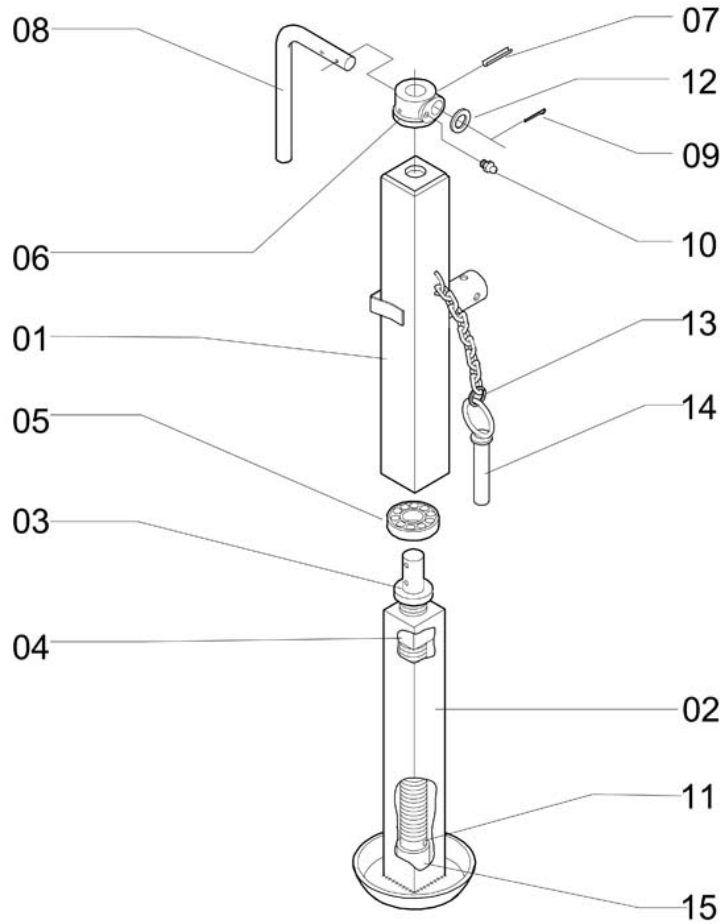
FLEXIBLE COUPLING 9



LE-9

Item	CODE	DESCRIPTION	Qty.	Item	CODE	DESCRIPTION	Qty.
00	727925	Flexible coupling 9	1				
01	727917	Pulley \varnothing 146-1A	1				
02	326462	Ring	2				
03	326470	Hub \varnothing 19	1				
04	836502	Screw 5/16" - 18 UNC x 1"	8				
05	519736	Lock washer M8	8				
06	326447	Flexible link 125	4				
07	817627	Tightening pulley shaft 15 x 50.5	1				
08	912790	Hex. nut 1/2" - 13 UNC	1				
09	908582	Lock washer 1/2"	1				
10	818112	Flat washer 130 x 240 x 30	1				
11	910851	Snap ring for shaft 15	1				
12	328781	Fixed bearing	1				
13	517557	Snap ring for hole	1				

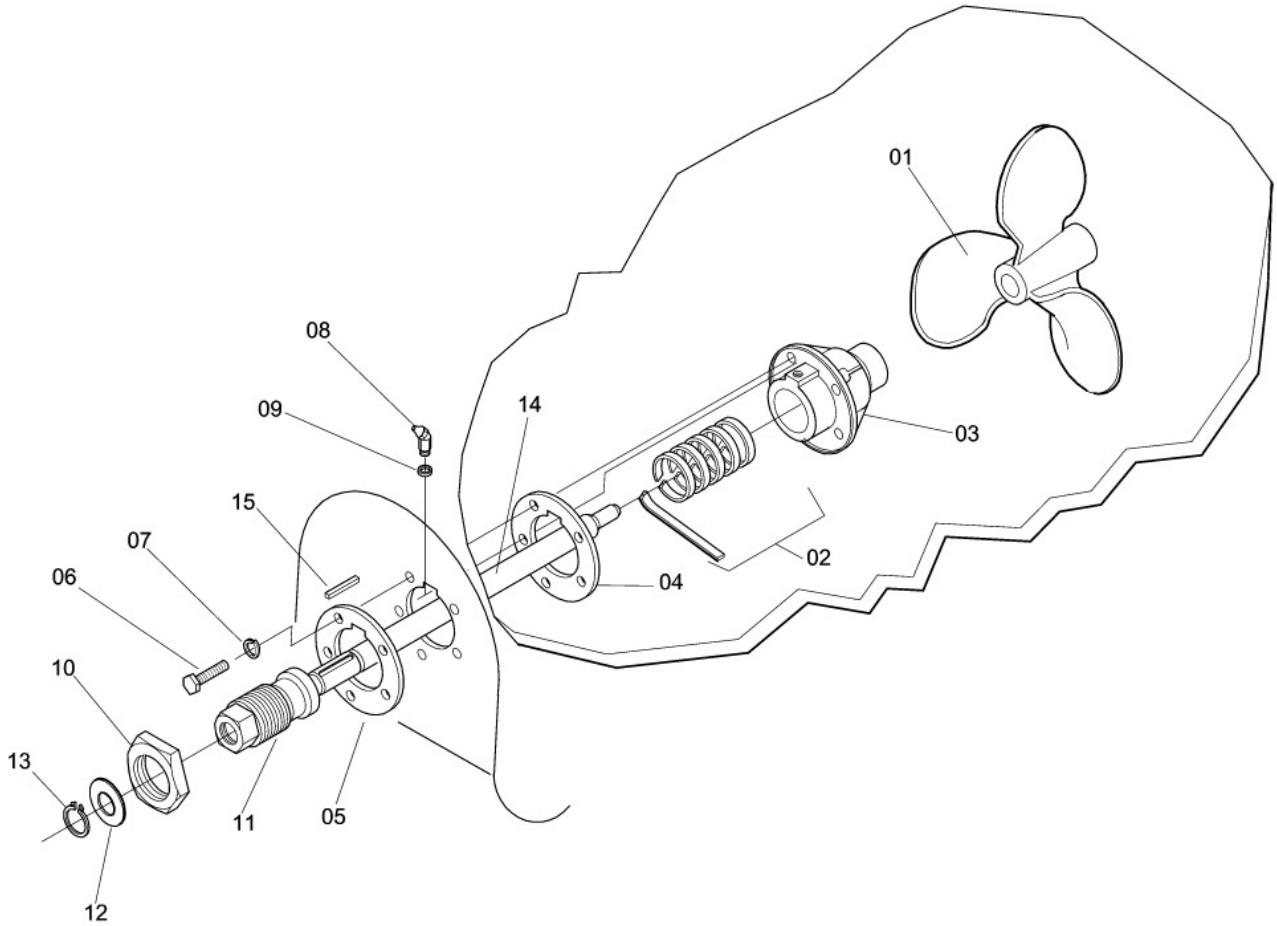
JACK NO. 10



MC-9

Item	CODE	DESCRIPTION	Qty.	Item	CODE	DESCRIPTION	Qty.
00	431064	Jack no. 10	1				
01	670323	Jack body	1				
02	670364	Sliding bar	1				
03	330019	Screw \varnothing 7/8" - 9 UNC x 360	1				
04	426544	Square nut 7/8" - 9 UNC	1				
05	330084	Bearing	1				
06	330043	Bolt head	1				
07	910802	Flexible pin \varnothing 6 x 28	1				
08	331314	Jack handle	1				
09	910240	Cotter pin \varnothing 3.18 x 25.4	1				
10	910463	Grease nipple 1/4" - 28 UNF	1				
11	103978	Flexible pin 6 x 24	1				
12	315002	Flat washer 130 x 254 x 15	1				
13	622969	Double ring \varnothing 22 x 26 x 3	1				
14	431106	Lock pin	1				
15	429803	Seat ring	1				

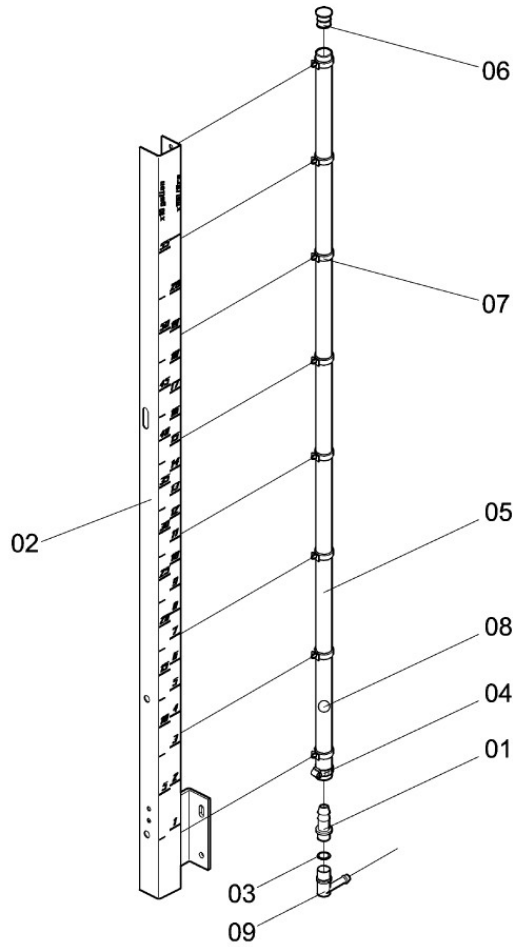
MECHANICAL AGITATOR



MM-1

Item	CODE	DESCRIPTION	Qty.	Item	CODE	DESCRIPTION	Qty.
00	213447	Mechanical agitator	1				
01	102848	Agitator propeller	1				
02	424325	Agitator gasket	1				
03	213470	Agitator body	1				
04	213488	Packing \varnothing 82 x 3.0	1				
05	213496	Agitator flange	1				
06	916700	Bolt 1/4" - 20 UNC x 1"	5				
07	910117	Lock washer \varnothing 1/4"	5				
08	111245	Grease nipple 1/4" x 28 UNF x 45	1				
09	731083	Ring \varnothing 6.45 x \varnothing 7.94 x 2	1				
10	213504	Nut \varnothing 1.1/2" - 12 UNF	1				
11	213520	Gasket tightener	1				
12	403808	Flat washer 194 x 320 x 15	1				
13	914747	Snap ring for shaft \varnothing 19	1				
14	213538	Shaft 257	1				
15	419416	Square key 3/16" x 38	1				

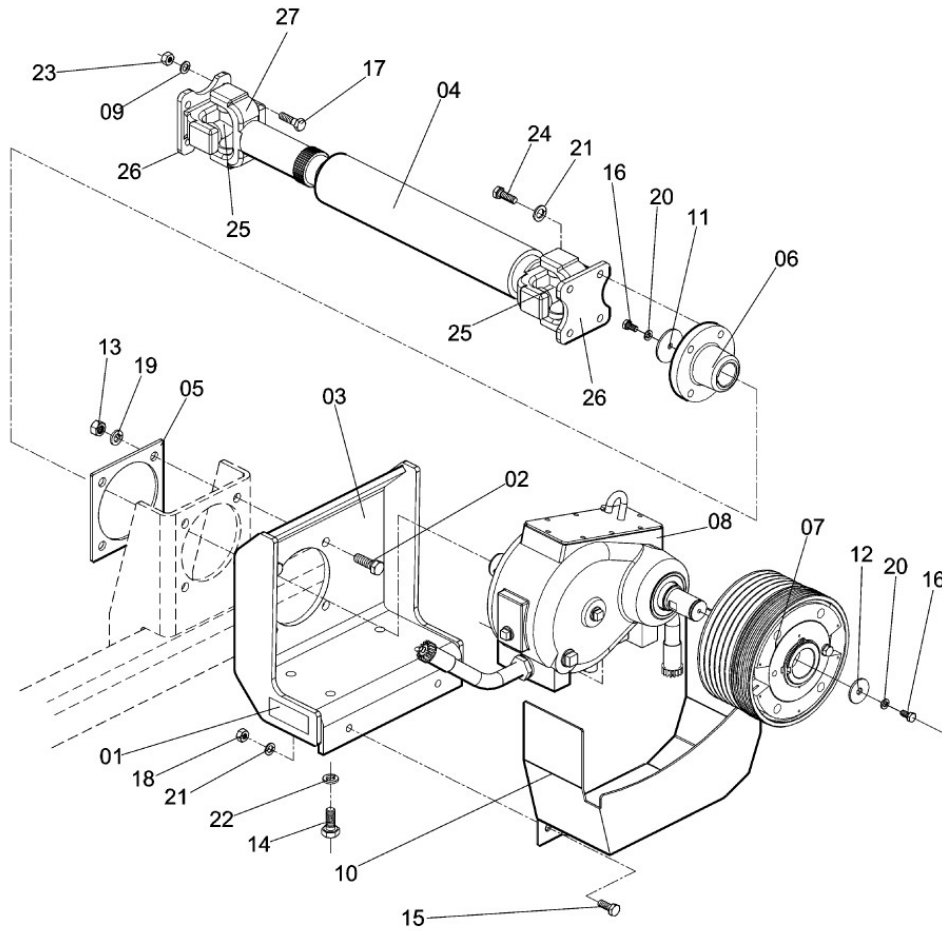
LEVEL INDICATOR 11



MN-12

Item	CODE	DESCRIPTION	Qty.	Item	CODE	DESCRIPTION	Qty.
00	263301	Level indicator 11	1				
01	239764	Fitting 3/4" x 22.6	1				
02	251736	Level indicator body	1				
03	901405	O-ring ORI-014	1				
04	423814	Clamp D22-32 - stainless steel	1				
05	345975	Hose Ø 3/4" x 1400	1				
06	537381	Plug	1				
07	546598	Hose clip ø 22/25	8				
08	324764	Float ø 14	1				
09	519587	Fitting 3/8" x 90	1				

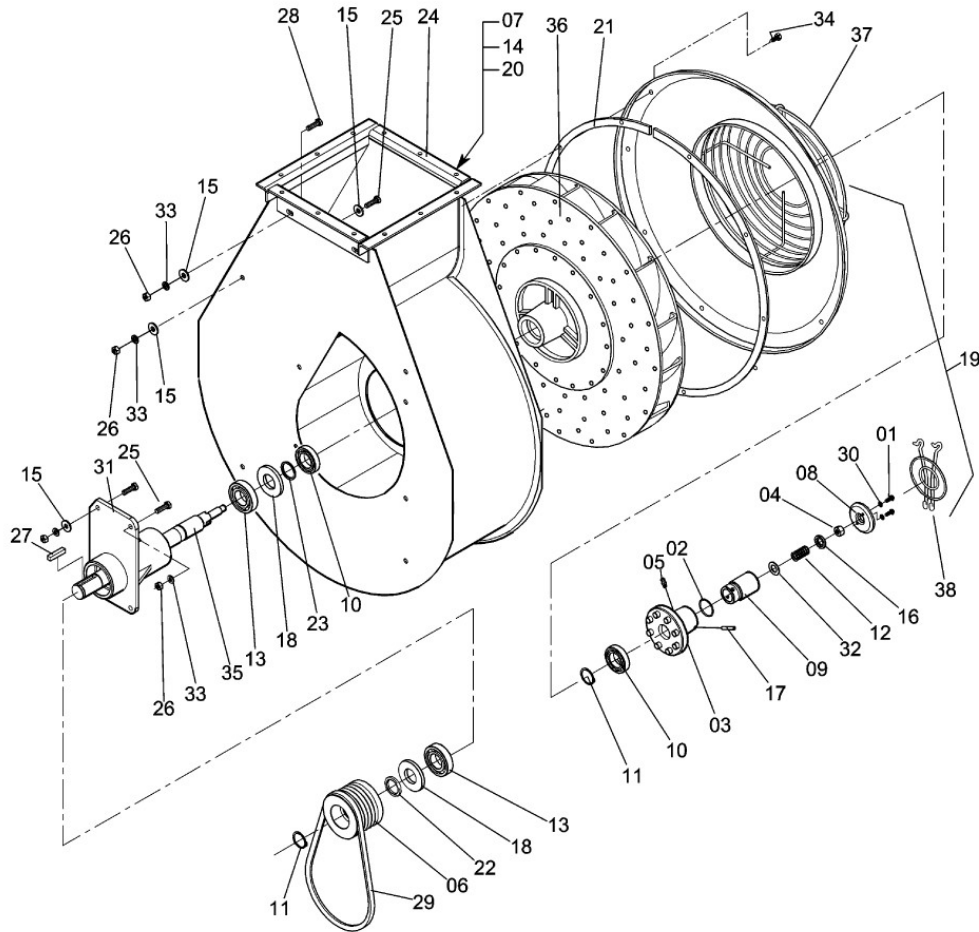
DRIVE TRANSMISSION



TMT-46

Item	CODE	DESCRIPTION	Qty.	Item	CODE	DESCRIPTION	Qty.
00	173948	Drive transmission	1	26	797290	PTO Shaft end	2
01	013540	Sticker: Keep the oil on level	1	27	797308	PTO shaft fork	1
02	832170	Hex. bolt M12 x 45 x 1.75 cl 5.8	4				
03	173955	Multiplier base	1				
04	173989	PTO shaft 1880	1				
05	173997	Reinforcement plate	1				
06	174003	Hub 117	1				
07	174011	Drive Pulley with Gear	1				
08	175299	Multiplier Jacto 6 (1:3)	1				
09	624130	Flat washer 100 x 180 x 12	4				
10	267435	Pulley shield	1				
11	507665	Flat washer 82 x 506 x 30	1				
12	507855	Flat washer 103 x 375 x 30	1				
13	427013	Nut ABTN - 1020 thread M12 x 1,50	4				
14	520205	Bolt 1/2" - 13 UNC x 1.1/4"	4				
15	829515	Hex. bolt M10 x 30 x 1.5	2				
16	910794	Hex. bolt 5/16" - 24 UNF x 5/8"	2				
17	829416	Bolt M-10 x 35 x 1.5	4				
18	209205	Hex. nut M10 x 1,50	2				
19	209163	Lock washer M12	4				
20	519736	Lock washer M8	2				
21	209395	Lock washer M10	6				
22	908582	Lock washer 1/2"	4				
23	829499	Nut M-10 x 1.5	4				
24	757559	Hex. bolt M10 x 30 x 1.25	4				
25	823971	Cross	2				

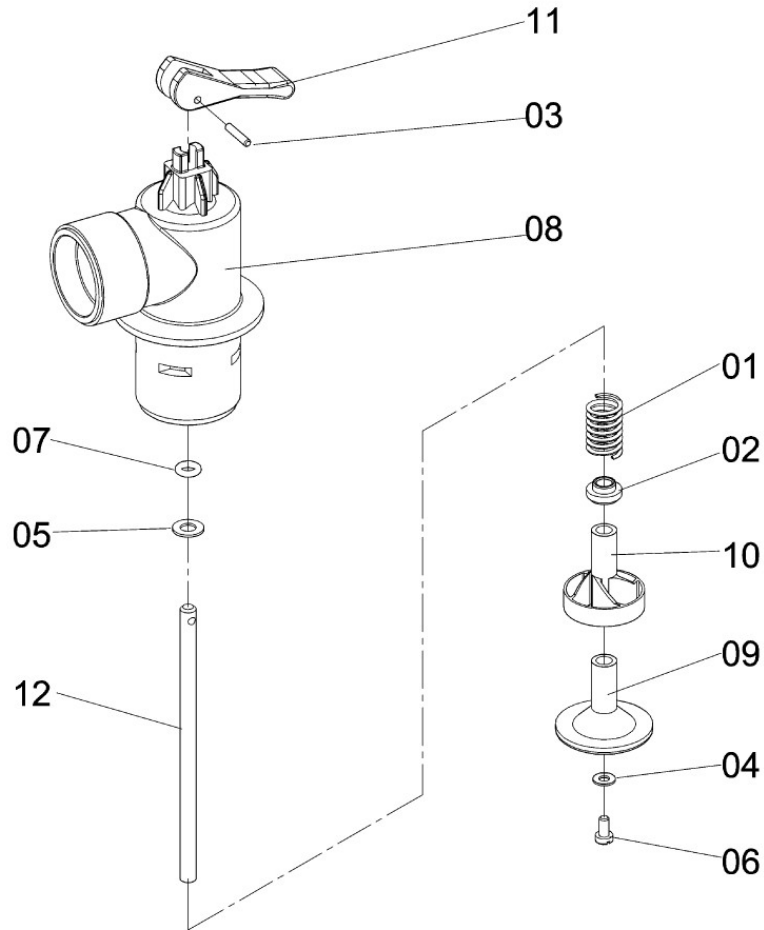
FAN



V-9

Item	CODE	DESCRIPTION	Qty.	Item	CODE	DESCRIPTION	Qty.
00	174086	Fan	1	25	936146	Bolt M10 x 35 x 1.50	4
01	007179	Screw \varnothing 3/16" UNC x 5/8"	2	26	209205	Hex. nut M10 x 1,50	14
02	011643	O-ring ORI-129	1	27	519793	Square key 9.53 (3/8") x 45	1
03	018713	Grooved hub with pins	1	28	829515	Hex. bolt M10 x 30 x 1.5	10
04	108787	Nut DODI-LOC \varnothing 1/2" - 13 UNC	1	29	615815	Trapeze belt	6
05	111245	Grease nipple 1/4" x 28 UNF x 45	1	30	520676	Lock washer M5	2
06	174094	Pulley \varnothing 105-6-3V	1	31	820324	Pillow block body	1
07	178699	Sticker: "JACTO CANNON SPRAYER J2600"	1	32	881243	Flat washer 170 x 300 x 19	1
08	201087	Disc \varnothing 70	1	33	908566	Lock washer \varnothing 3/8"	14
09	201103	Coupling hub	1	34	910745	Self-locking screw \varnothing 1/4" x 3/4"	10
10	202549	Fixed bearing	2	35	984187	Shaft 446	1
11	203067	Snap ring for shaft \varnothing 35	2	36	989129	Fan rotor	1
12	204537	Compression spring	1	37	018457	Fan housing cover	1
13	328062	Bearing no. 6207 SKF	2	38	358465	Fan lock guard	1
14	360248	Sticker: "Fan guard screen"	1				
15	416735	Flat washer 100 x 260 x 30	12				
16	425892	Spring seat ring	1				
17	427567	Flexible pin \varnothing 5 x 32	1				
18	429340	Inner and outer protector	2				
19	434084	Fan housing cover	1				
20	446500	Sticker: "Fan lock instructions"	1				
21	518100	Packing 15 x 2000 x 8.00	1				
22	518118	Spacer ring	1				
23	518126	Spacer ring 42.2 x 2.7	1				
24	518605	Fan housing	1				

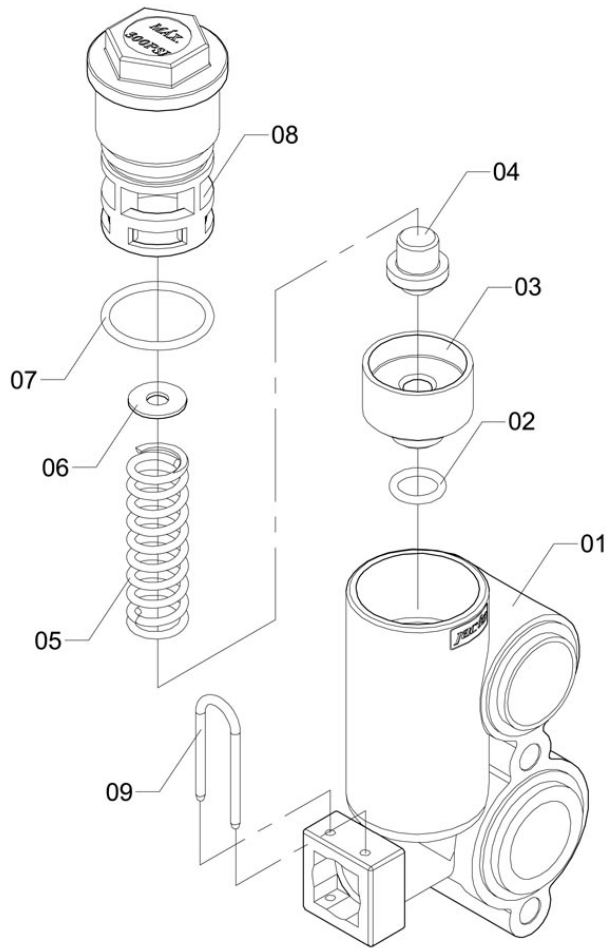
DIRECTIONAL VALVE



CV-167

Item	CODE	DESCRIPTION	Qty.	Item	CODE	DESCRIPTION	Qty.
00	054395	Directional valve	1				
01	044057	Compression spring 12.7	1				
02	048199	Seal	1				
03	049858	Lever pin	1				
04	050187	Flat washer 43 x 90 x 8	1				
05	050195	Flat washer 64 x 125 x 95 stainless steel	1				
06	050211	Screw M4 x 8	1				
07	050237	O-ring OR2-108	1				
08	054403	Valve body	1				
09	054429	Piston cup	1				
10	054437	Guide	1				
11	054445	Rinse nozzle lever	1				
12	054452	Spring Guide Pin	1				

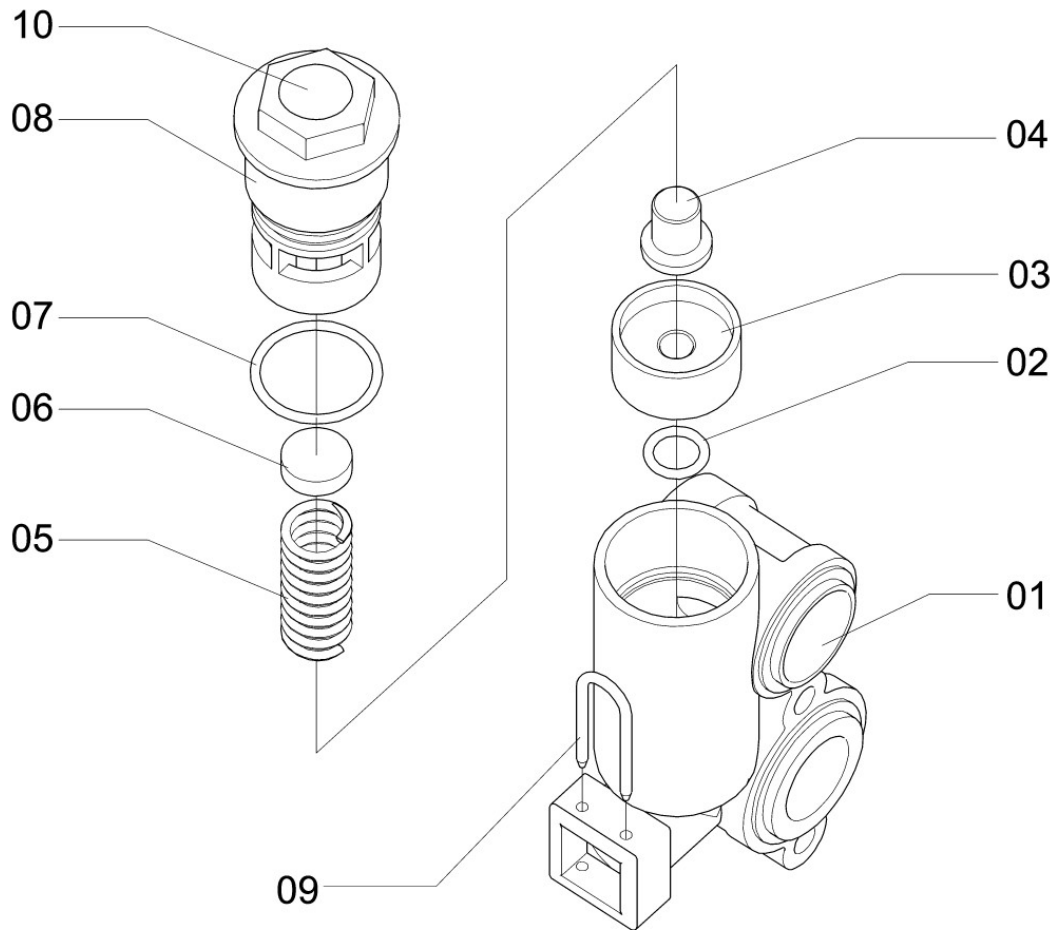
SAFETY VALVE



CV-85

Item	CODE	DESCRIPTION	Qty.	Item	CODE	DESCRIPTION	Qty.
00	998138	Safety valve	1				
01	079111	Safety valve body	1				
02	325290	O-ring OR1-112	1				
03	868364	Safety valve seat	1				
04	985127	Seal cell	1				
05	422600	Compression spring	1				
06	712554	Flat washer 68 x 160 x 12.4	1				
07	928754	O-ring OR2-123	1				
08	866244	Safety valve cover	1				
09	868646	Pressure gauge U-shaped clamp	1				

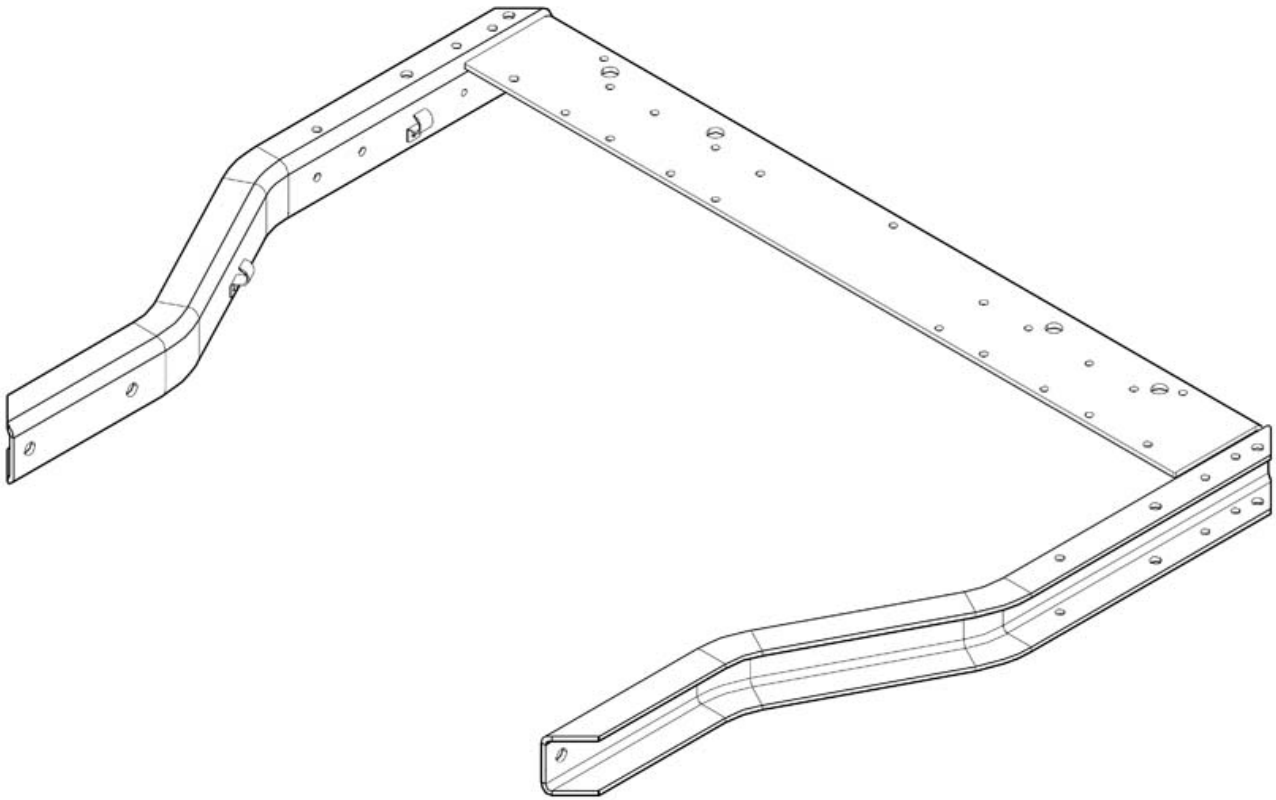
SAFETY VALVE



CV-250

Item	CODE	DESCRIPTION	Qty.	Item	CODE	DESCRIPTION	Qty.
00	195586	Safety valve	1				
01	079111	Safety valve body	1				
02	325290	O-ring OR1-112	1				
03	868364	Safety valve seat	1				
04	985127	Seal cell	1				
05	006148	Compression spring	1				
06	195594	Spring spacer	1				
07	928754	O-ring OR2-123	1				
08	866244	Safety valve cover	1				
09	868646	Pressure gauge U-shaped clamp	1				
10	246843	Decal "Maximum 80 psi"	1				

REAR BUMPER

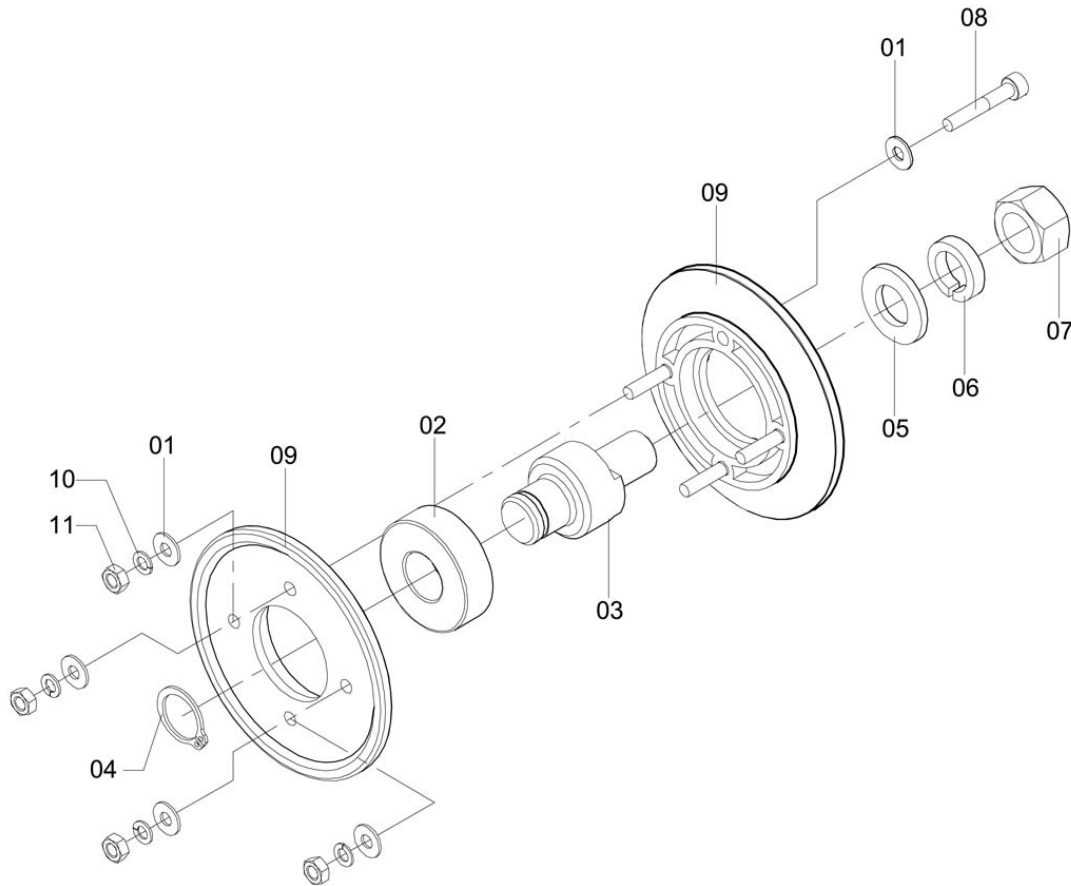


C-188

Item	CODE	DESCRIPTION	Qty.
00	325258	Rear bumper	1

Item	CODE	DESCRIPTION	Qty.

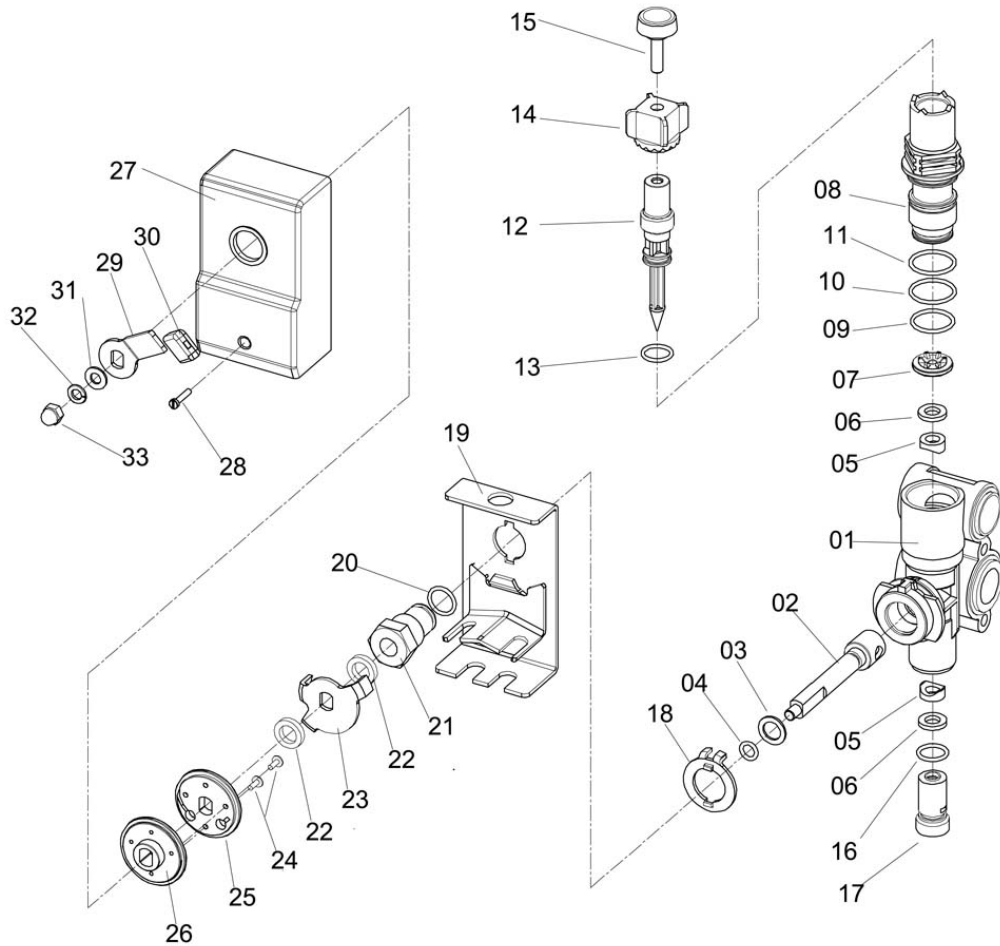
TIGHTENING PULLEY ASSEMBLY 78 (SHAFT Ø 15 X 50,5)



LE-14

Item	CODE	DESCRIPTION	Qty.	Item	CODE	DESCRIPTION	Qty.
00	645416	Tightening pulley assembly 78 (Shaft ø 15 x 50,5)	1				
01	508515	Flat washer no. 43 x 102 x 8	8				
02	328781	Fixed bearing	1				
03	817627	Tightening pulley shaft 15 x 50.5	1				
04	910851	Snap ring for shaft 15	1				
05	818112	Flat washer 130 x 240 x 30	1				
06	908582	Lock washer 1/2"	1				
07	912790	Hex. nut 1/2" - 13 UNC	1				
08	1148396	Screw M4 X 0.7 MM 25 Comp	4				
09	644641	Pulley disk ø 78 - 1A	2				
10	520700	Lock washer M4	4				
11	551523	Hex. nut M-4 x 0.7 stainless steel	4				

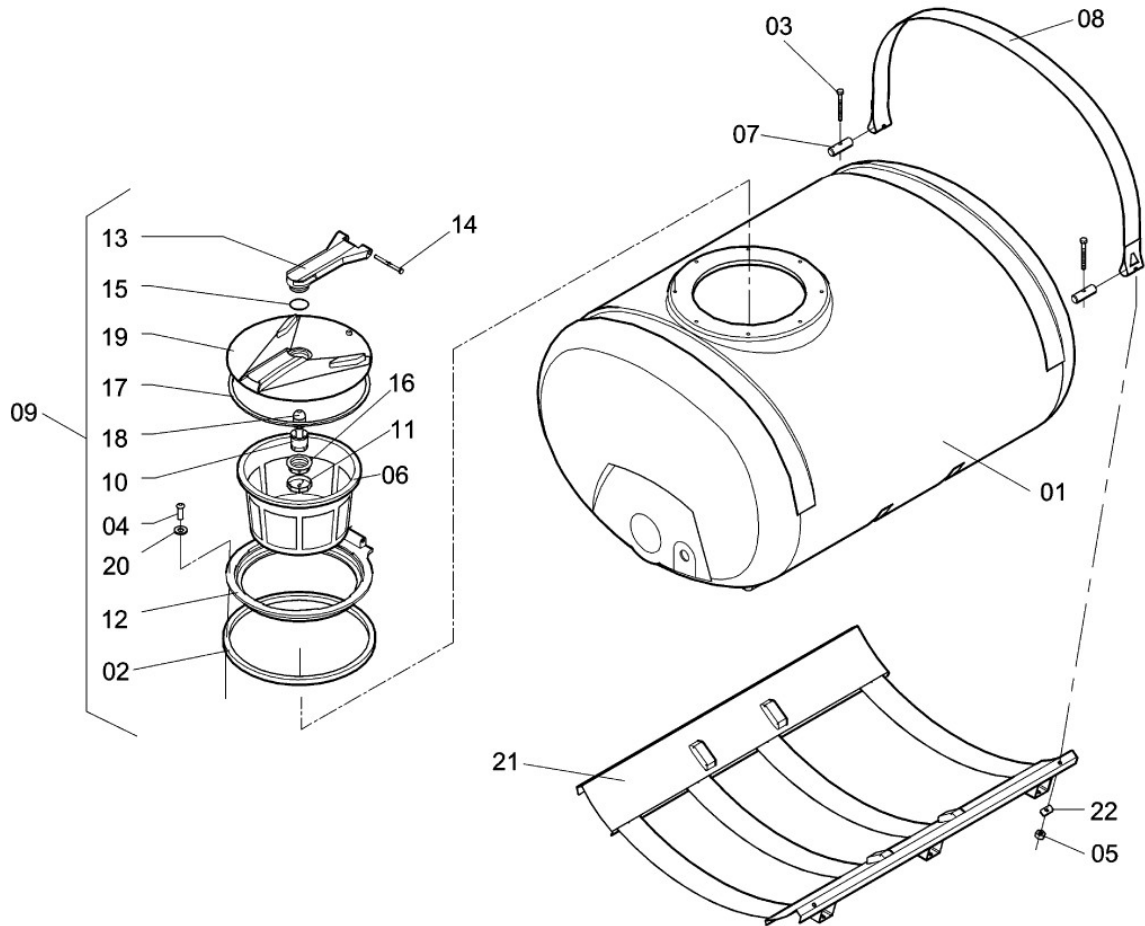
CABLE BRANCH ASSEMBLY WITH SENSOR



CV-302

Item	CODE	DESCRIPTION	Qty.	Item	CODE	DESCRIPTION	Qty.
00	999540	Cable branch assembly with sensor	1	26	966192	Large right sheave	1
01	180414	Branch body	1	27	879973	Cable control box	1
02	879916	Cable actuation branch core	1	28	071894	Bolt M4 x 20 x 07	1
03	414748	O-ring \varnothing 22 x 1.5	1	29	879965	Cable control lever	1
04	955617	O-ring OR2-110	1	30	945964	Lever handgrip	1
05	414763	Seal seat \varnothing 18	2	31	013433	Flat washer	1
06	414771	O-ring \varnothing 20 x 11 x 3.0	2	32	519736	Lock washer M8	1
07	860098	Cell	1	33	945832	Box nut M8 x 1,0	1
08	944876	Fastener	1				
09	106955	O-ring OR1-120	1				
10	011668	O-ring OR1-122	1				
11	731521	O-ring OR1 - 124	1				
12	944892	Needle assembly	1				
13	706796	O-ring OR1-114	1				
14	944900	Grip	1				
15	945998	Bolt M8 x 30 x 1.25	1				
16	322057	O-ring ORI-114	1				
17	860064	Outlet nipple bushing	1				
18	879858	Box positioning washer	1				
19	079202	Box support	1				
20	832857	O-ring OR1-115	1				
21	879833	Cable control seat	1				
22	984989	Spacer bushing	2				
23	985671	Sensor contact disc	1				
24	997213	Flanged head screw 3.5 x 10	4				
25	966184	Large left sheave	1				

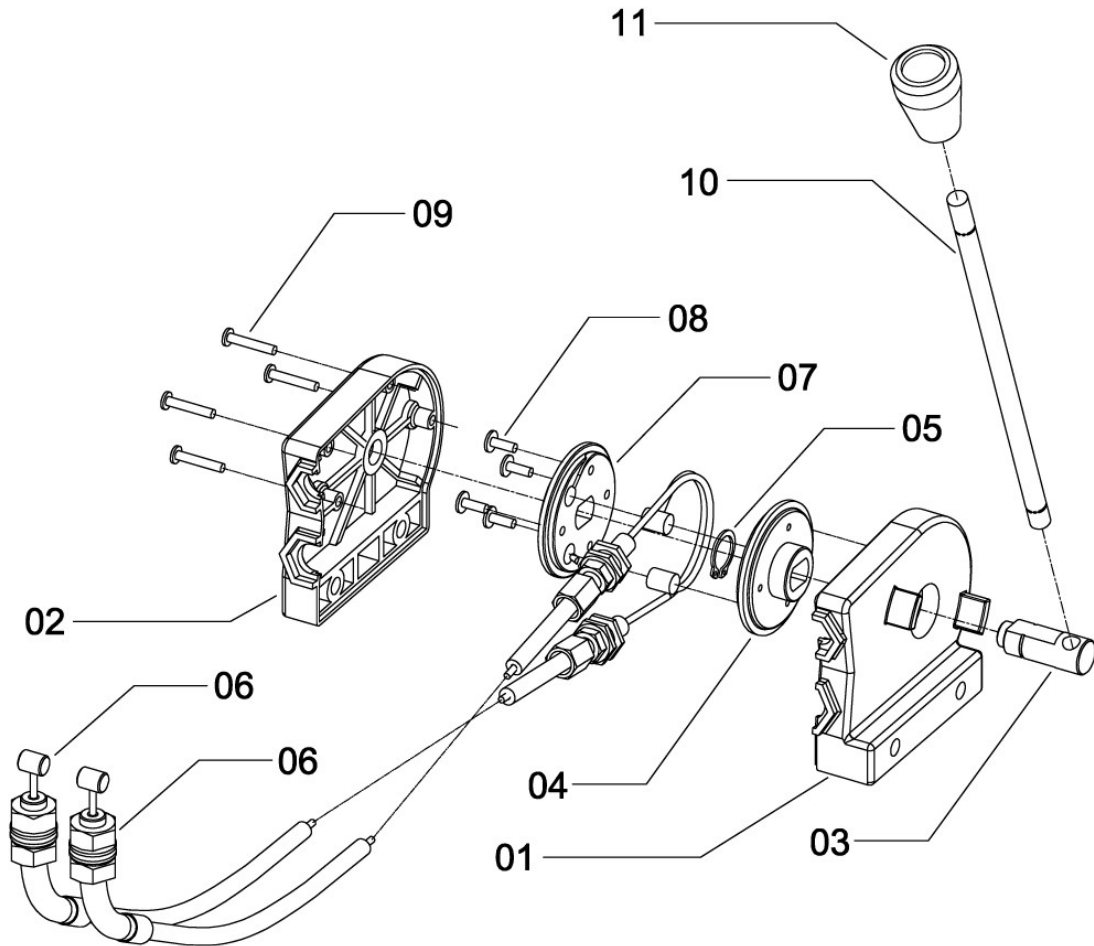
2,000-LITER SPRAY TANK WITH SEAT



D-46

Item	CODE	DESCRIPTION	Qty.	Item	CODE	DESCRIPTION	Qty.
00	270223	2,000-liter spray tank with seat	1		130633	Sticker: "Chemicals" (English)	1
00A	176743	Tank 2000 L	1		169128	Sticker: "Chemical container rinse nozzle"	1
01	191734	Tank 2000 L	1		219709	Sticker: Drawbar adjustment (English)	1
02	752931	Packing 5 x 15 x 1370	1		262758	Sticker: " J-2600 CANNON"	2
03	935635	Tightening screw 1/2" - 13 UNC	4		354746	Sticker: Warning 1 (English)	1
04	442202	Rivet 4.8 x 17.2 - stainless steel	8		360230	Sticker: protectors indication	1
05	202663	Hex. nut 1/2" - 13 UNC	4		360248	Sticker: "Fan guard screen"	1
06	349555	Strainer	1		442673	Sticker: "Sprayer maintenance"(Eng.)	1
07	710772	Tightening strap shaft	1		949479	Sticker: "logotype"	1
08	191809	Upper strap	2				
09	752949	Spray tank lid assembly (includes: ref. 10 to 19)	1				
10	870261	Breather assembly	1				
11	870295	Deflector	1				
12	870279	Lid seat	1				
13	870204	Lid articulator	1				
14	870212	Articulation pin	1				
15	870220	Packing ring	1				
16	870287	Coupling nut	1				
17	994863	Packing ring 367 x 6.99	1				
18	870253	Float	1				
19	870238	Spray tank lid	1				
20	314799	Flat washer 52 x 160 x 12.4	8				
21	247973	Tank mounting base	1				
22	997809	Reinforcement 31.8 x 70	4				
	039412	Sticker: direction for transport	1				

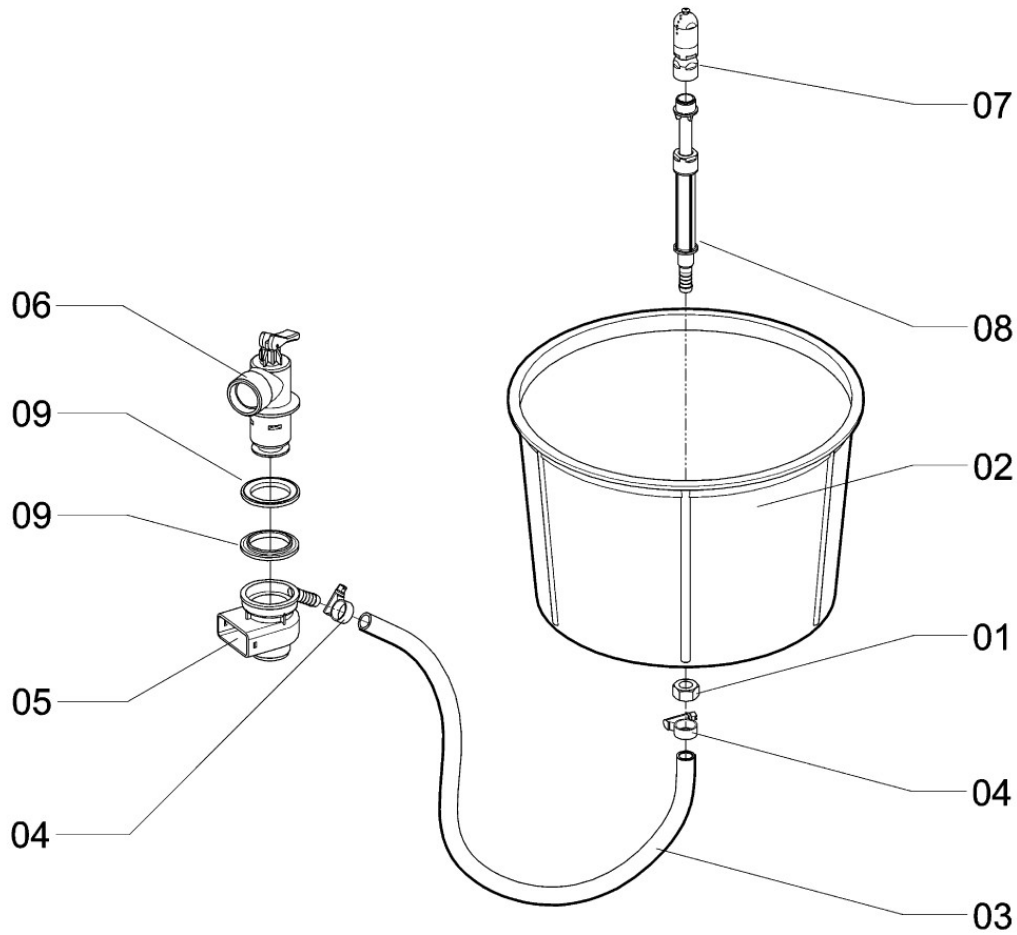
CABLE ACTUATION BOX



CV-87

Item	CODE	DESCRIPTION	Qty.	Item	CODE	DESCRIPTION	Qty.
00	063438	Cable actuation box	1				
01	879890	Box right lateral	1				
02	879882	Box left lateral	1				
03	879841	Sheaves shaft	1				
04	879791	Small right sheave	1				
05	997239	Snap ring for shaft \varnothing 14	1				
06	061689	Control flexible handgrip	2				
07	879783	Small left sheave	1				
08	997213	Flanged head screw 3.5 x 10	4				
09	878769	Screw 3.5 x 20	4				
10	879825	Lever rod	1				
11	998468	Grip	1				

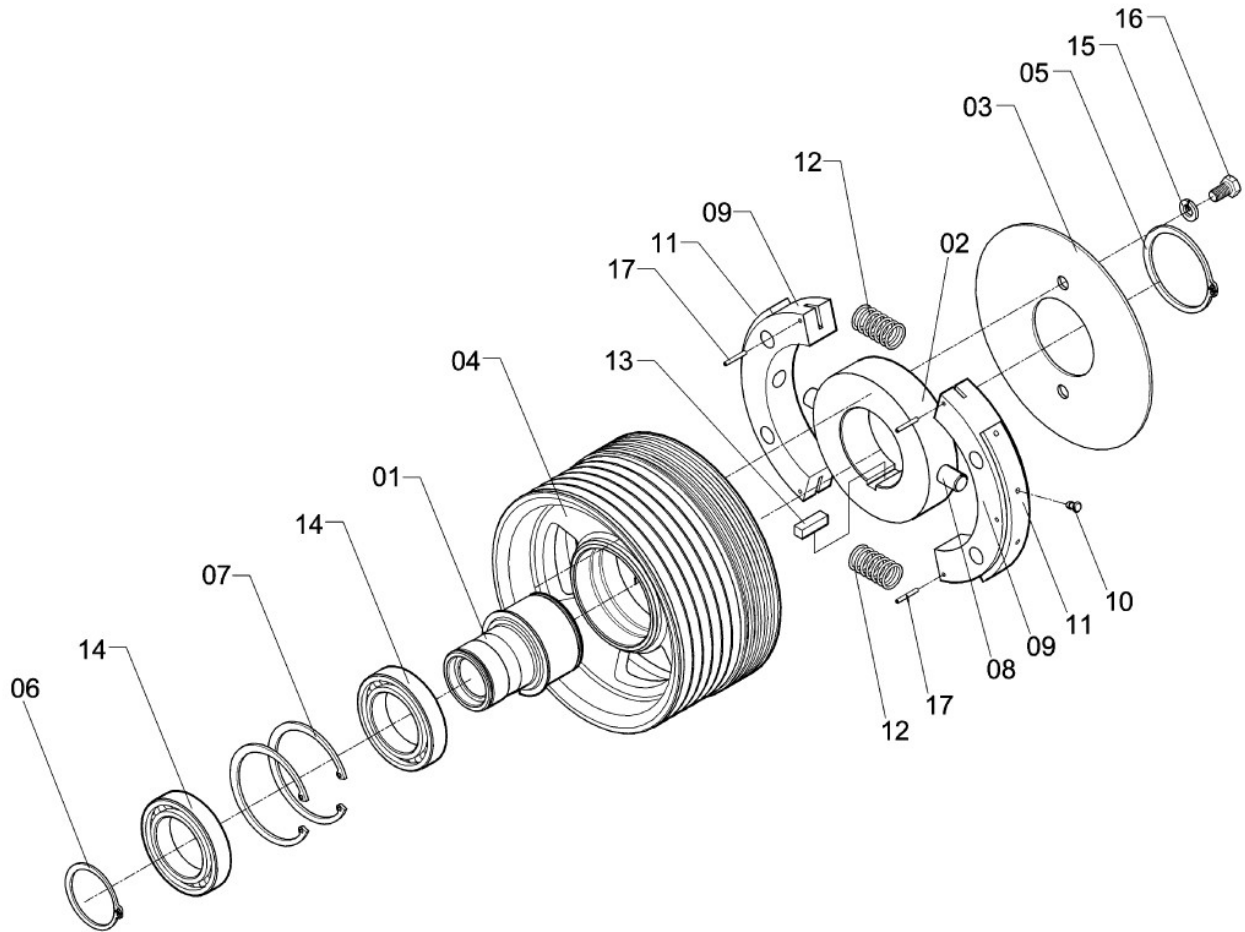
CHEMICAL CONTAINER RINSE NOZZLE KIT



KIT-24

Item	CODE	DESCRIPTION	Qty.	Item	CODE	DESCRIPTION	Qty.
00	134239	Chemical container rinse nozzle kit	1				
01	938498	Hex. nut M16 x 2.00	1				
02	134007	Strainer	1				
03	071886	Hose 12.7 (1/2") x 600	1				
04	107664	Clamp D14-22 - stainless steel	2				
05	054411	Valve fastener	1				
06	054395	Directional valve	1				
07	071944	Rinse nozzle	1				
08	088237	Chemical container rinse nozzle rod	1				
09	088245	Packing ring	2				

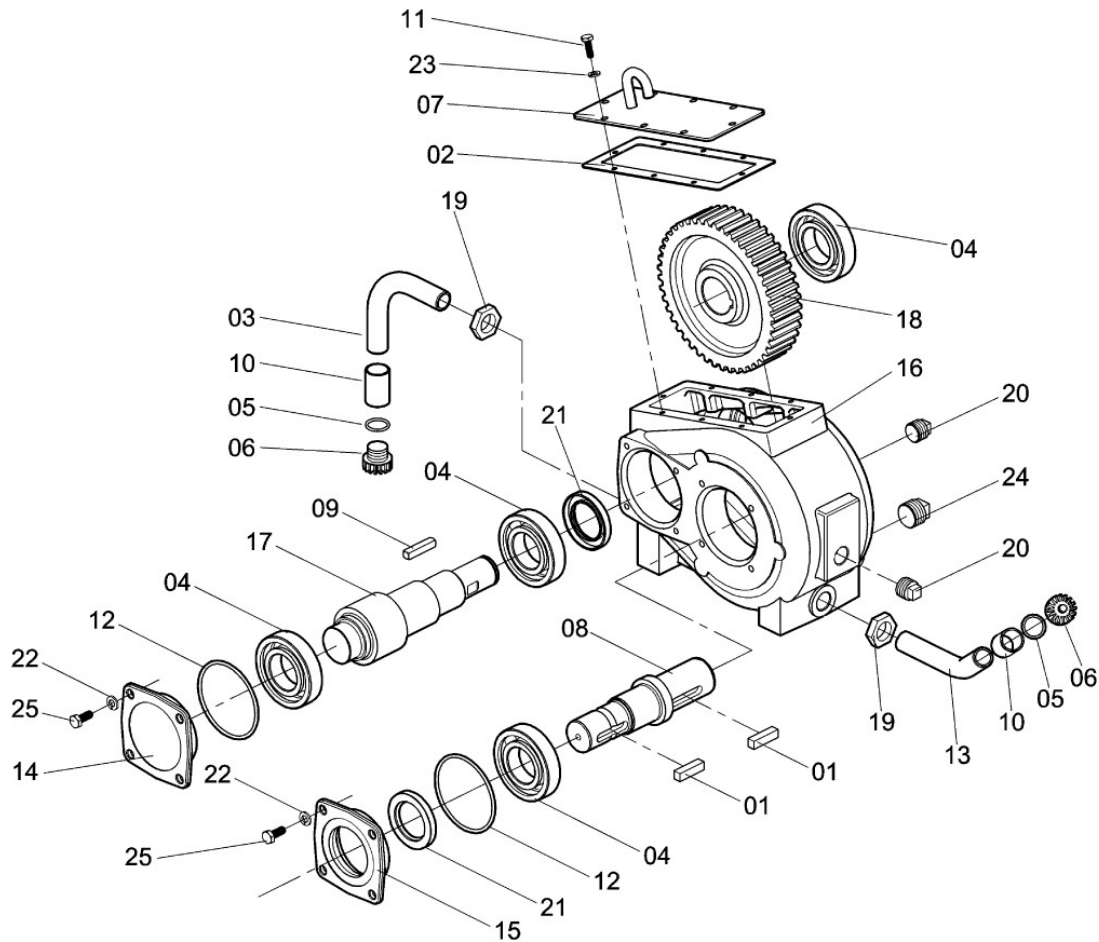
DRIVE PULLEY WITH GEAR



TMT-47

Item	CODE	DESCRIPTION	Qty.	Item	CODE	DESCRIPTION	Qty.
00	174011	Drive Pulley with Gear	1				
01	174029	Driven Shaft Bush	1				
02	174037	Hub (Hole 0 65)	1				
03	174045	Protection Disk	1				
04	174052	Pulley \varnothing 200-6-3V	1				
05	174078	Snap ring for shaft \varnothing 65	1				
06	203729	Snap ring for shaft \varnothing 50	1				
07	324145	Snap ring for hole \varnothing 80	2				
08	435438	Pin 40	2				
09	435586	Centrifugal mass	2				
10	519769	Rivet Pop - \varnothing 4.0 x 10.2	8				
11	728675	Braking driver canvas	2				
12	728923	Traction spring \varnothing 15 x LO= 47	2				
13	814210	Square key 3/8" x 25	1				
14	839514	Fixed bearing	2				
15	908566	Lock washer \varnothing 3/8"	2				
16	910620	Bolt \varnothing 3/8" - 16 UNC x 5/8"	2				
17	917369	Flexible pin (heavy) 3 x 22	4				

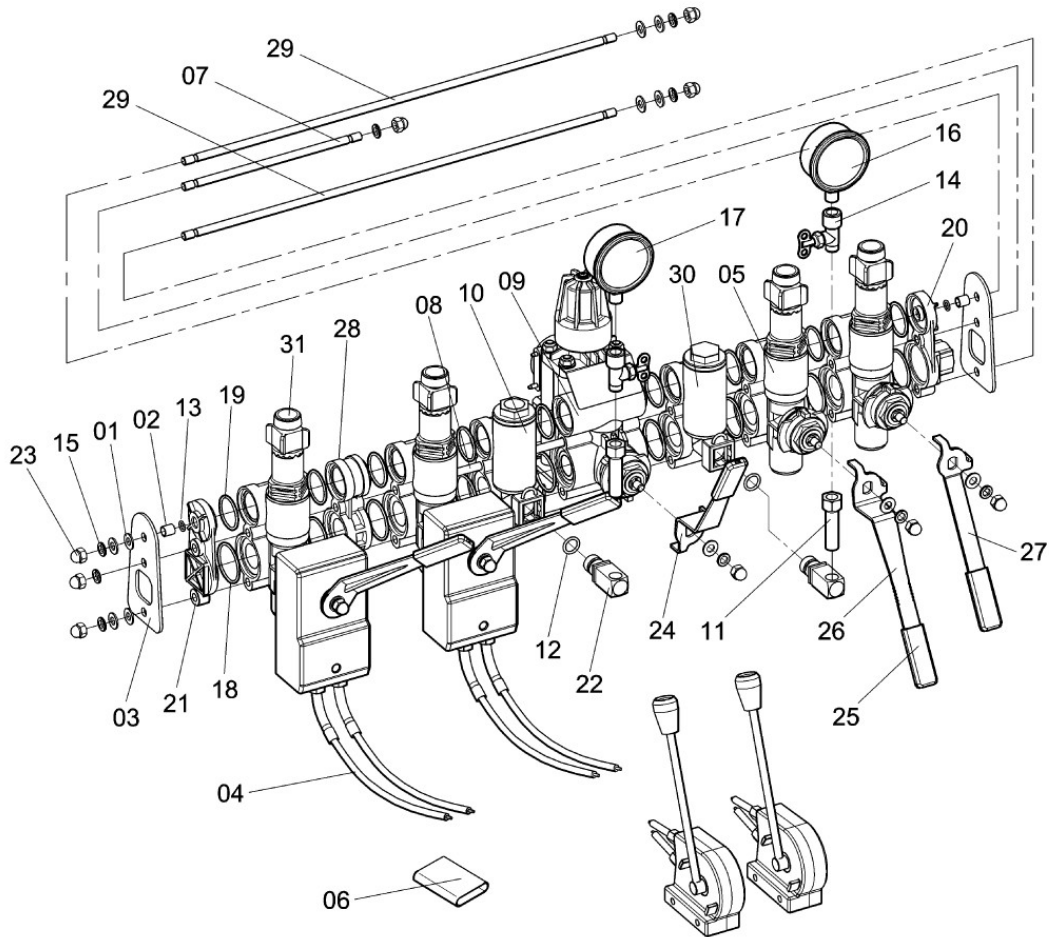
MULTIPLIER JACTO 6 (1:3)



CM-7

Item	CODE	DESCRIPTION	Qty.	Item	CODE	DESCRIPTION	Qty.
00	175299	Multiplier Jacto 6 (1:3)	1				
01	108936	Square key 3/8" x 35	2				
02	114439	Packing	1				
03	175307	Drain Duct	1				
04	203737	Fixed bearing	4				
05	210146	O-ring OR1-117	2				
06	213736	Plug 1/2" BSP	2				
07	213801	Cover	1				
08	324608	Drive shaft	1				
09	324624	Square key 5/16" x 4"	1				
10	430553	Sleeve 1/2" BSP	2				
11	441030	Bolt \varnothing 1/4" - 20 UNC x 5/8"	8				
12	516575	O-ring ORI-235	2				
13	516849	Filling tube	1				
14	627737	Cover	1				
15	627745	Multiplier cover with hole	1				
16	627778	Multiplier body	1				
17	627786	Multiplier driven shaft	1				
18	627794	Drive gear	1				
19	715722	Lock nut \varnothing 1/2" - 14 BSP	2				
20	812057	Plug \varnothing 1/2" BSP	2				
21	822031	Retainer \varnothing 40 x 62 x 8	2				
22	519736	Lock washer M8	8				
23	910117	Lock washer \varnothing 1/4"	8				
24	910687	Plug \varnothing 3/4" BSP	1				
25	913608	Hex. head bolt 5/16" - 18 UNC x 3/4"	8				

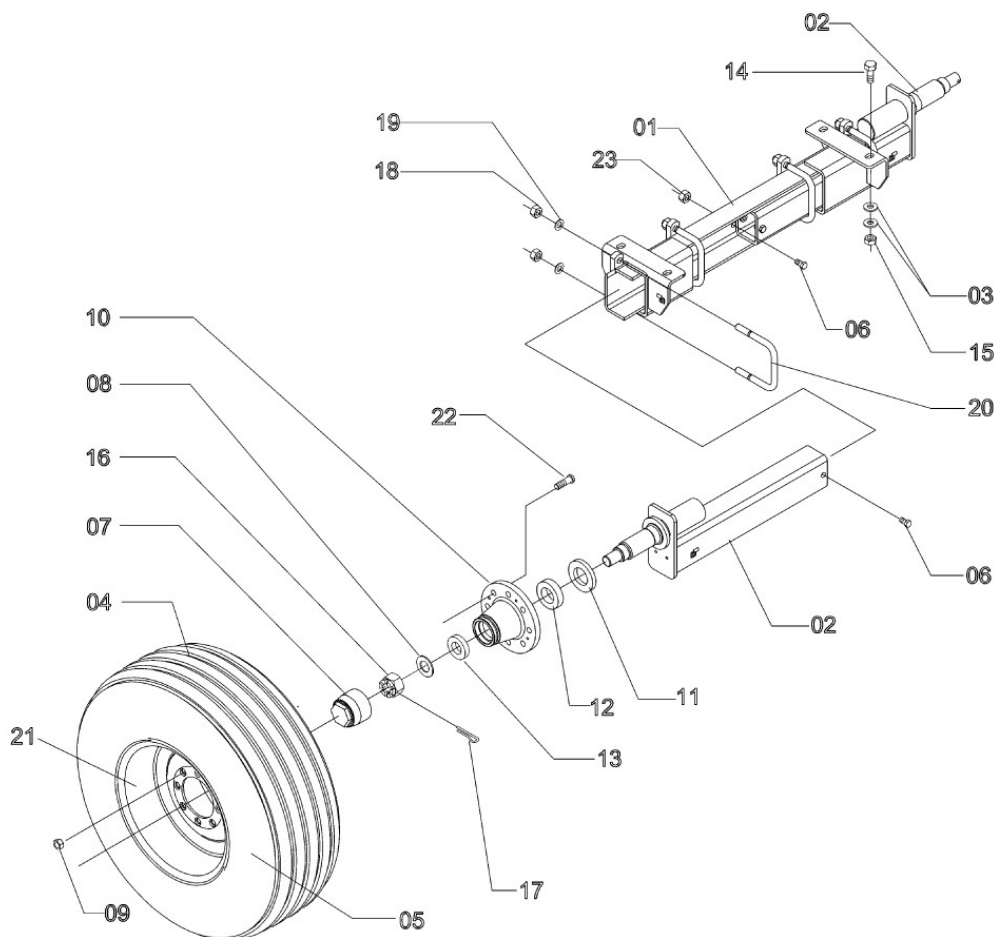
MASTERFLOW CONTROL 2000 - 2X2 LEVER AND CABLE



CV-130

Item	CODE	DESCRIPTION	Qty.	Item	CODE	DESCRIPTION	Qty.
00	195453	Masterflow Control 2000 - 2x2 Lever and cable	1	24	945956	Lever 60° - left	1
01	013433	Flat washer	11	25	945964	Lever handgrip	3
02	055764	Bushing	2	26	945972	Lever 60° - right	1
03	057349	Support	2	27	945980	Lever 30° - right	1
04	063438	Cable actuation box	2	28	976761	Small spacer	1
05	071233	Right nozzle branch	2	29	985119	Stud bolt M8 x 507 x 1.25	2
06	074401	Protective hose 50 x 2200	1	30	998138	Safety valve	1
07	165407	Stud bolt M8 x 208 x 1,25 - stain	1	31	999540	Cable branch assembly with sensor	2
08	168245	Stud bolt M8 x 232 x 1,25 - inox	1				
09	195438	Quick relief assembly	1				
10	195586	Safety valve	1				
11	220699	Pressure gauge extension	2				
12	244459	O-ring OR1-113	2				
13	322040	O-ring ORI-011	2				
14	507319	Needle valve for pressure gauge	2				
15	519736	Lock washer M8	9				
16	551945	Pressure gauge (0 to 40 kgf/cm ²) (glycerin-filled)	1				
17	556092	Pressure gauge (glycerin-filled) 0 to 16 kgf/cm ²)	1				
18	648170	O-ring OR1-128	9				
19	731521	O-ring OR1 - 124	9				
20	866004	Right cover	1				
21	866012	Left cover	1				
22	868638	Pressure gauge support pin	2				
23	945832	Box nut M8 x 1,0	9				

ADJUSTABLE AXLE N° 13



EX-51

Item	CODE	DESCRIPTION	Qty.	Item	CODE	DESCRIPTION	Qty.
00	997551	Adjustable axle n° 13	1				
01	997569	Axle fixed body	1				
02	997619	Axle moving end	2				
03	881300	Flat washer 170 x 380 x 3.0	8				
04	323402	Inner tube 11 L - 15	2				
05	429761	Tire 11L - 15 - 10 ply	2				
06	757559	Hex. bolt M10 x 30 x 1.25	4				
07	610188	Hub cap	2				
08	881334	Flat washer 330 x 650 x 31	2				
09	700377	Lug nut \varnothing 5/8" - 18 UNF	16				
10	715706	Wheel hub	2				
11	715789	Retainer 60 x 90.30 x 10	2				
12	715805	Cone bearing	2				
13	717173	Cone bearing	2				
14	984963	Hex. bolt M16 x 50 x 1.50	4				
15	044107	Parlock hex. nut M16 x 1.50	4				
16	831347	Castle nut M30 x 2"	2				
17	831354	Cotter pin \varnothing 6.30 x 50.8	2				
18	826297	Hex. nut M-16 x 2.00	8				
19	764142	Lock washer M16	8				
20	997882	U-clip	4				
21	998294	Rim 10 LB-15 with 8 holes	2				
22	715797	Bolt \varnothing 5/8" x 18 UNF x 5	16				
23	907030	Hex. nut M10 x 1.25	2				
	097428	Sticker: "Minimum Track Width Recommended"	1				

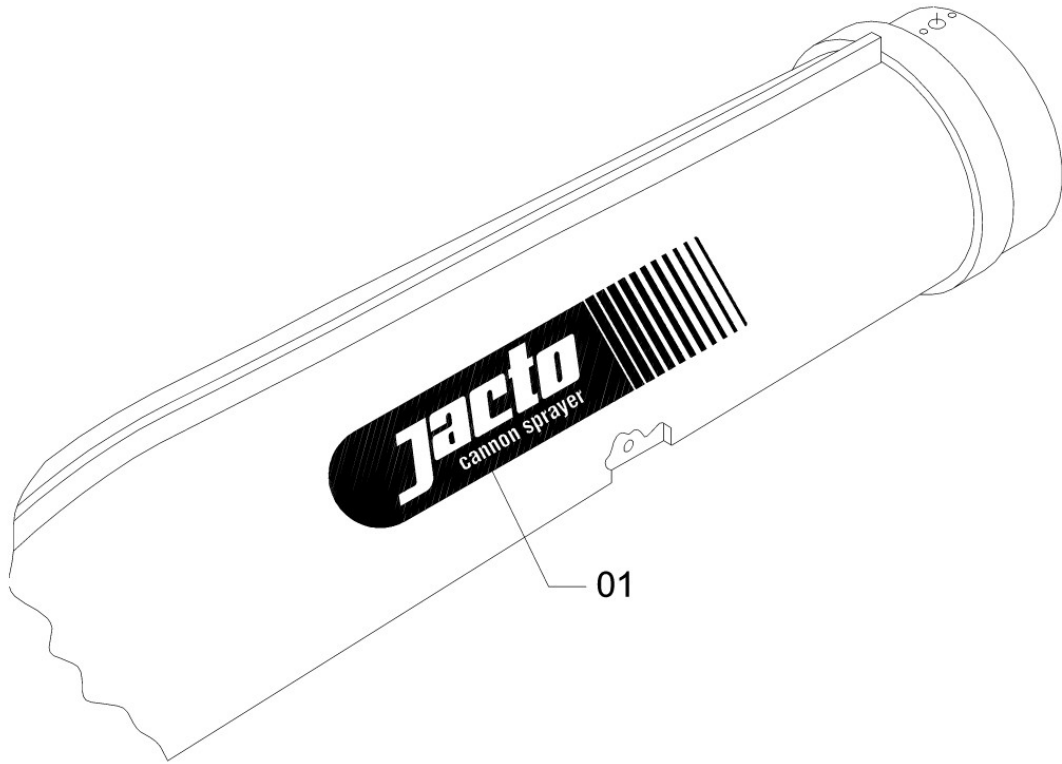
STICKER: " J-2600 CANNON"



ADS-50

Item	CODE	DESCRIPTION	Qty.	Item	CODE	DESCRIPTION	Qty.
00	262758	Sticker: " J-2600 CANNON"	1				

STICKER: "JACTO" CANNON SPRAYER D

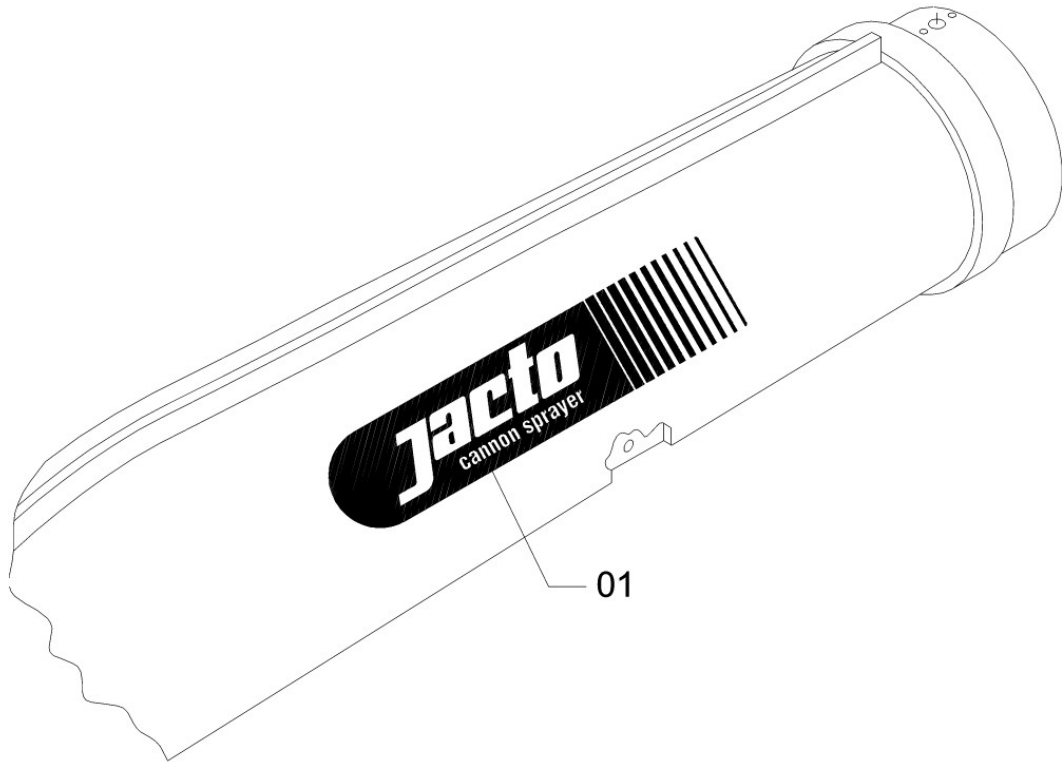


ADS-34

Item	CODE	DESCRIPTION	Qty.
00	049379	Sticker: "Jacto" Cannon Sprayer D	1
01	049379	Sticker: "Jacto" - Cannon Sprayer D	1

Item	CODE	DESCRIPTION	Qty.

STICKER: "JACTO" - CANNON SPRAYER E

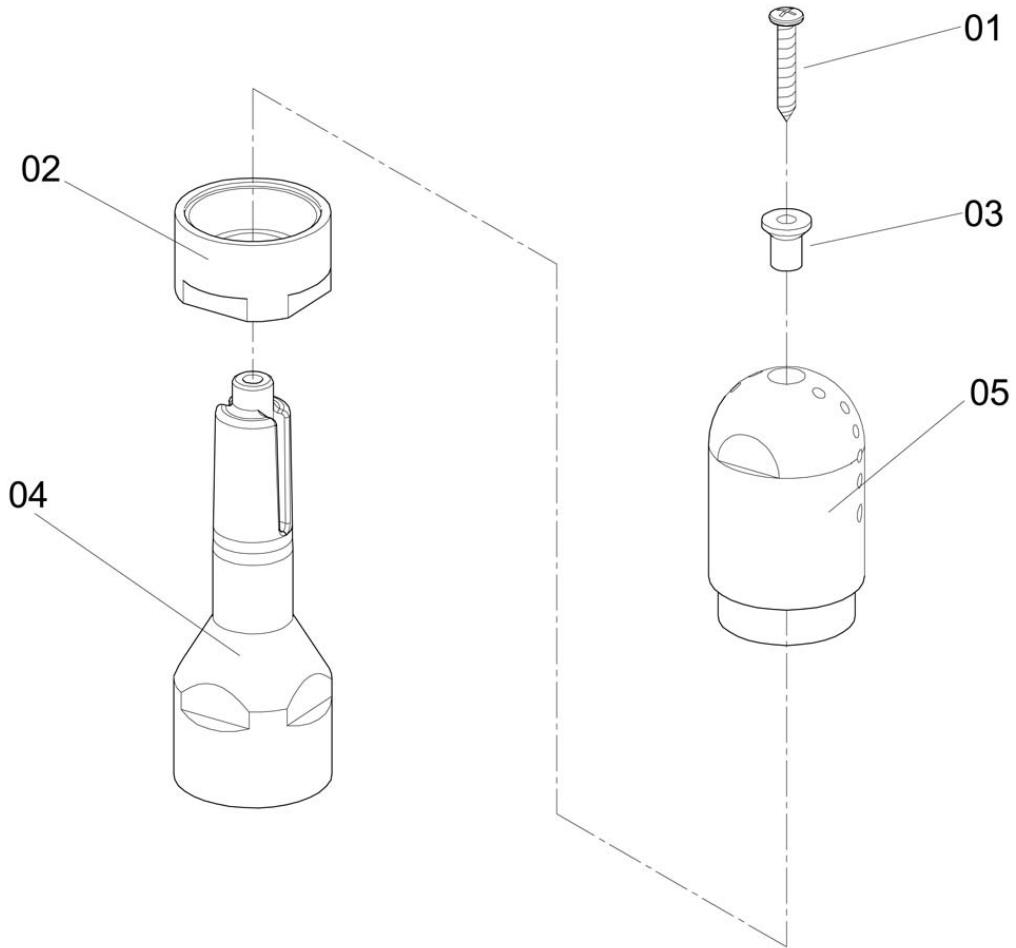


ADS-34

Item	CODE	DESCRIPTION	Qty.
00	049387	Sticker: "Jacto" - Cannon Sprayer E	1

Item	CODE	DESCRIPTION	Qty.

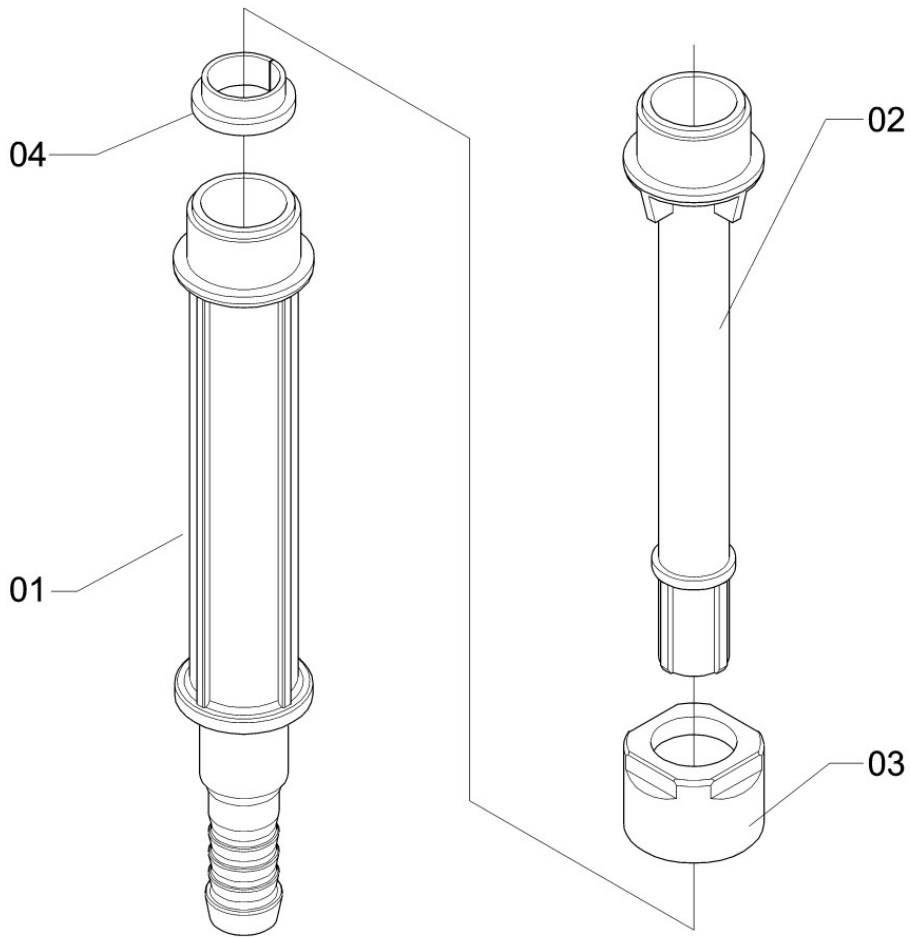
RINSE NOZZLE



KIT-75

Item	CODE	DESCRIPTION	Qty.	Item	CODE	DESCRIPTION	Qty.
00	071944	Rinse nozzle	1				
01	483628	Bolt 2.9 x 22	1				
02	059055	Nozzle nut	1				
03	061119	Bushing	1				
04	058909	Nozzle core	1				
05	060426	Nozzle body	1				

CHEMICAL CONTAINER RINSE NOZZLE ROD

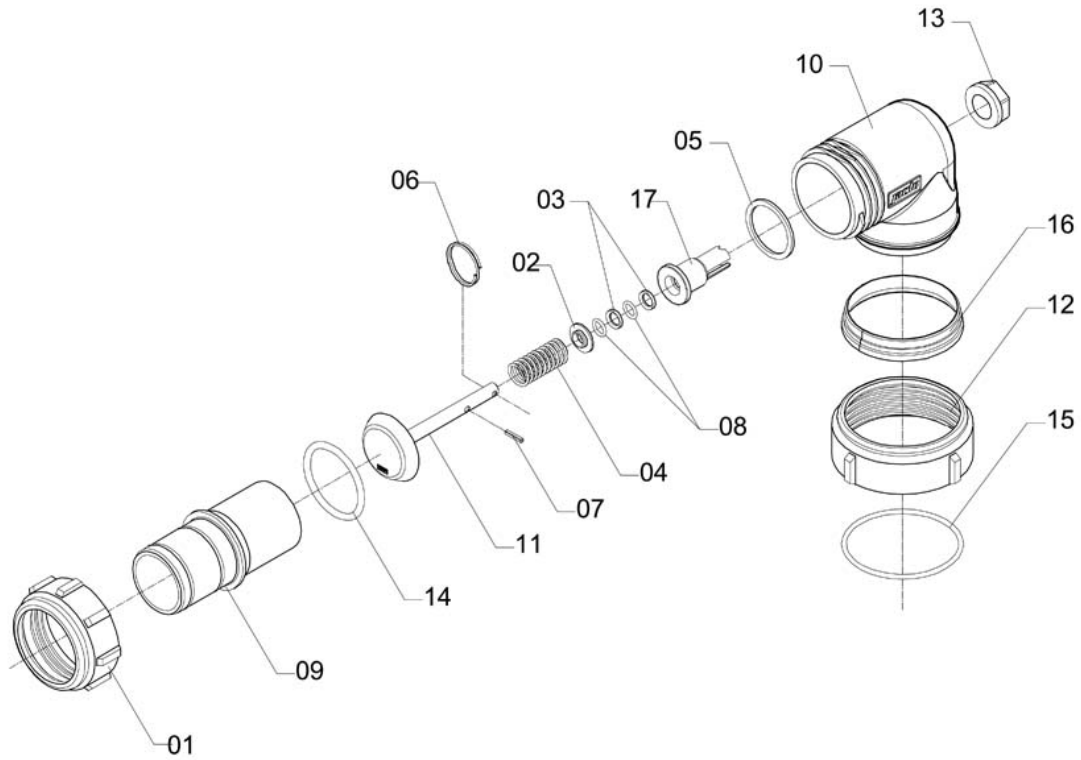


KIT-76

Item	CODE	DESCRIPTION	Qty.
00	088237	Chemical container rinse nozzle rod	1
01	058834	Nozzle rod	1
02	083907	Rod extension	1
03	087882	Extension nut	1
04	134221	Lock ring	1

Item	CODE	DESCRIPTION	Qty.

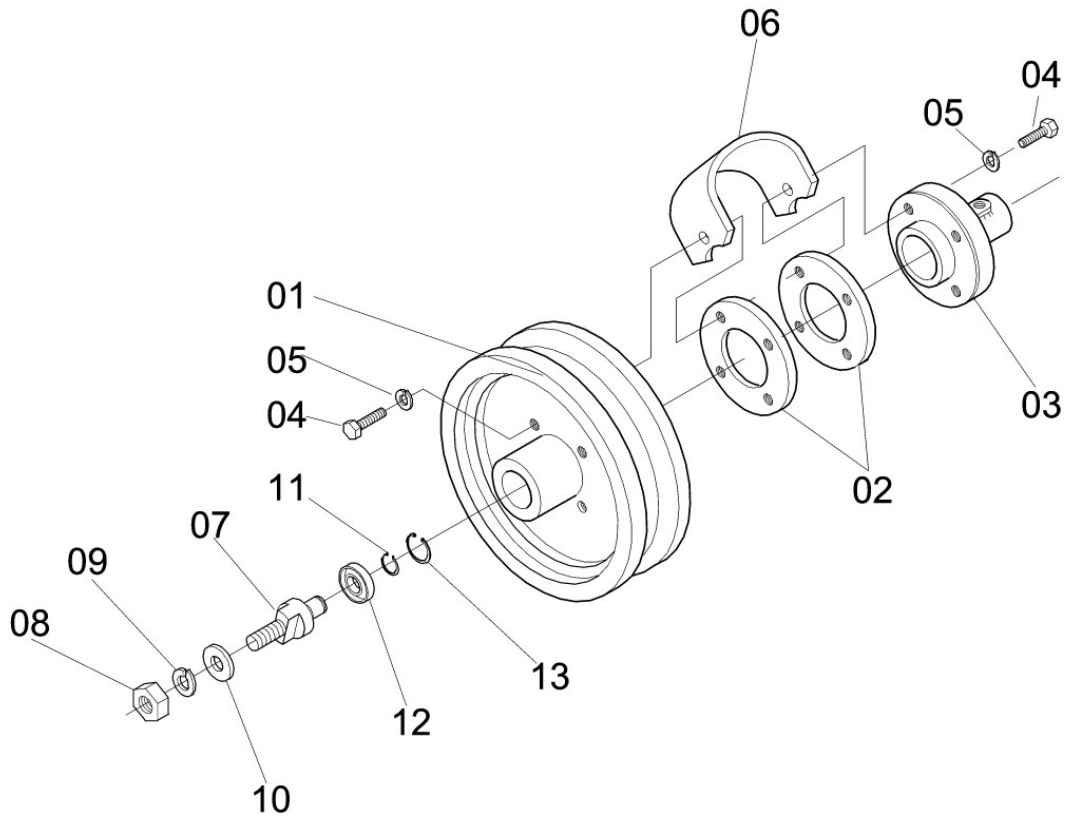
SUCTION FILTER VALVES



CV-308

Item	CODE	DESCRIPTION	Qty.	Item	CODE	DESCRIPTION	Qty.
00	590729	Suction filter valve	1				
01	005900	Coupling nut filter	1				
02	005967	Spring seat	1				
03	005975	Spacer washer	2				
04	006148	Compression spring	1				
05	010827	Packing ring \varnothing 29 x 22 x 3	1				
06	012146	Ring \varnothing 40	1				
07	105288	Flexible pin \varnothing 4 x 20 (heavy)	1				
08	416669	O-ring OR1-110	2				
09	534412	Hose fitting \varnothing 2"	1				
10	534420	Valve body	1				
11	534438	Valve	1				
12	534453	Union nut	1				
13	537423	Nut \varnothing 1/2" BSP	1				
14	588913	O-ring OR-330	1				
15	592709	Packing ring OR1-233	1				
16	593673	Lock ring	1				
17	615021	Valve guide	1				

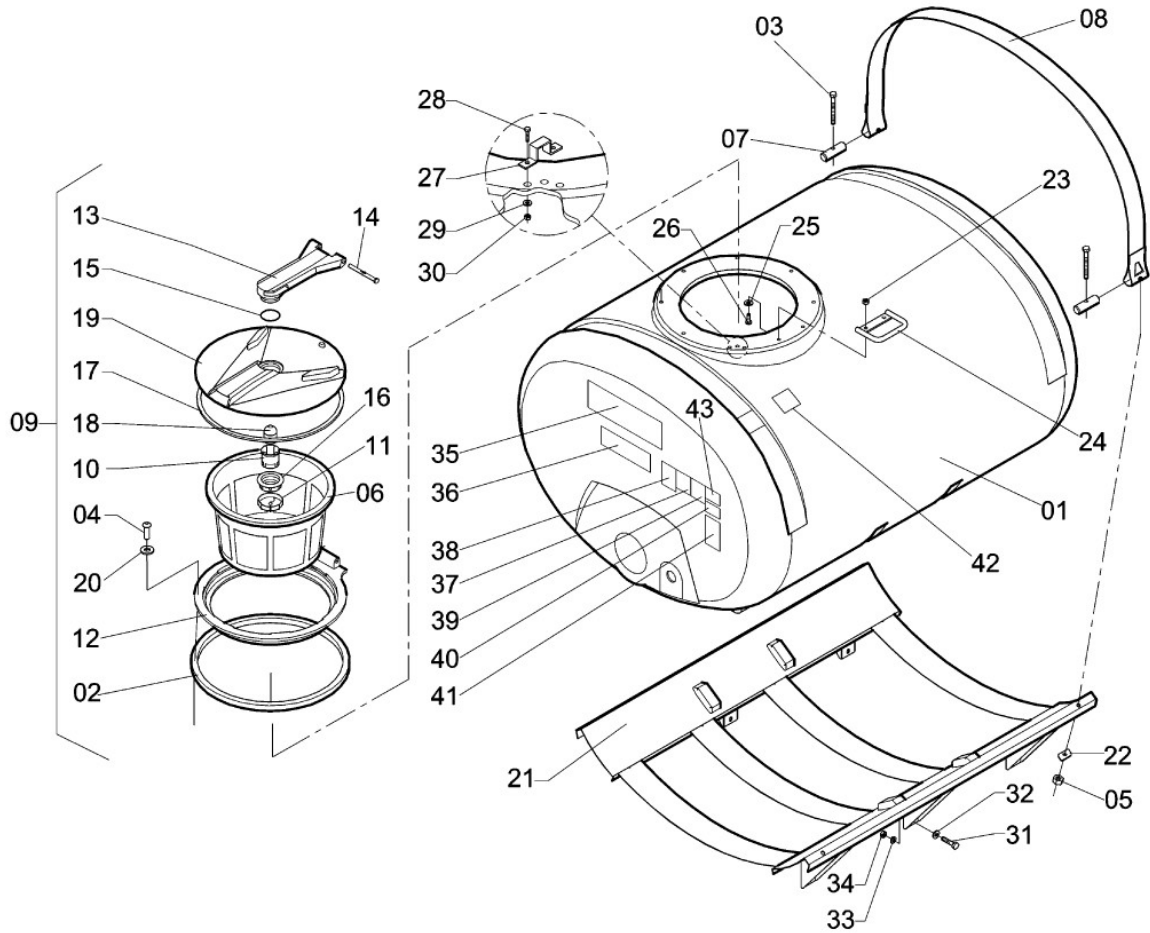
FLEXIBLE COUPLING 9



LE-9

Item	CODE	DESCRIPTION	Qty.	Item	CODE	DESCRIPTION	Qty.
00	727925	Flexible coupling 9	1				
01	727917	Pulley ø 146-1A	1				
02	326462	Ring	2				
03	326470	Hub ø 19	1				
04	836502	Screw 5/16" - 18 UNC x 1"	8				
05	013433	Flat washer	8				
06	326447	Flexible link 125	4				
07	817627	Tightening pulley shaft 15 x 50.5	1				
08	912790	Hex. nut 1/2" - 13 UNC	1				
09	908582	Lock washer 1/2"	1				
10	881227	Flat washer 130 x 270 x 30	1				
11	910851	Snap ring for shaft 15	1				
12	328781	Fixed bearing	1				
13	517557	Snap ring for hole	1				

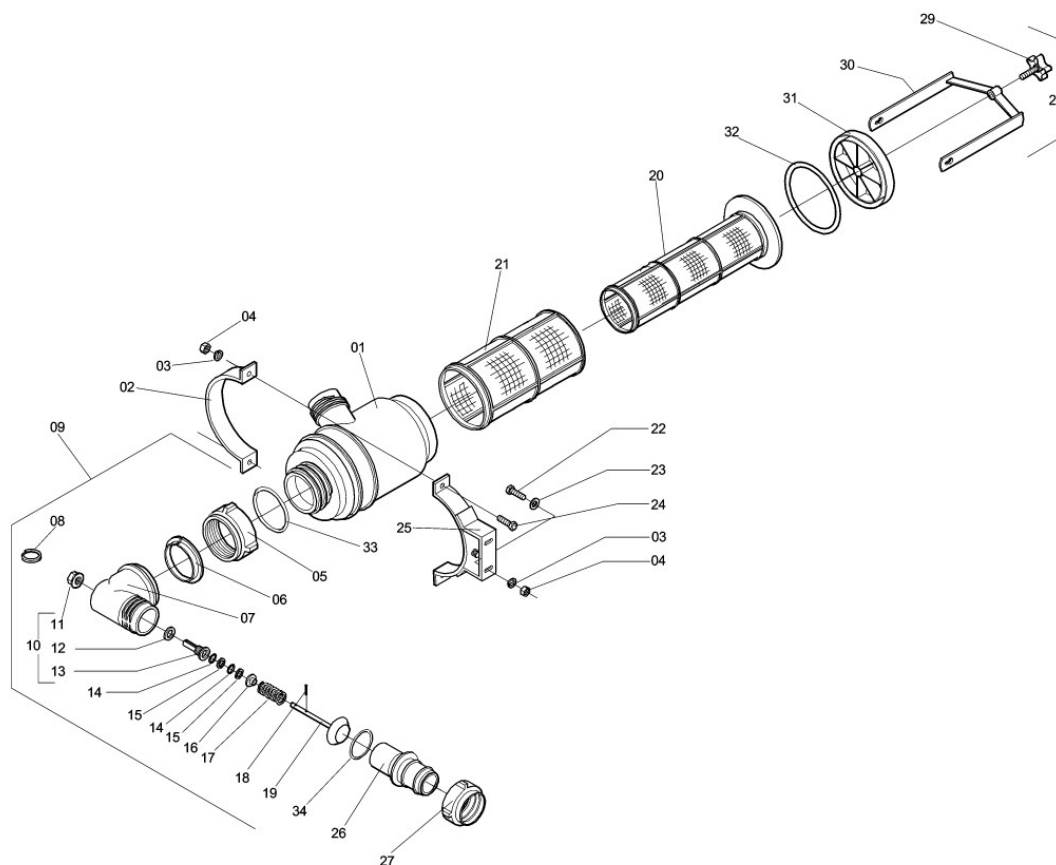
2,000-LITER SPRAY TANK WITH SEAT



D-72

Item	CODE	DESCRIPTION	Qty.	Item	CODE	DESCRIPTION	Qty.
00	270223	2,000-liter spray tank with seat	1	25	109678	Flat washer 105 x 254 x 12.4	2
01	191734	Tank 2000 L	1	26	448233	Bolt M8 x 30 x 1,25	2
02	752931	Packing 5 x 15 x 1370	1	27	342261	Clamp for tube 38 x 38	1
03	935635	Tightening screw 1/2" - 13 UNC	4	28	819631	Bolt \varnothing 1/4" - 20 UNC x 1"	2
04	442202	Rivet 4.8 x 17.2 - stainless steel	8	29	712554	Flat washer 70 x 180 x 12,4	2
05	202663	Hex. nut 1/2" - 13 UNC	4	30	905570	Hex. nut 1/4" - 20 UNC	2
06	349555	Strainer	1	31	829432	Bolt M12 x 35 x 1.75	6
07	710772	Tightening strap shaft	1	32	881227	Flat washer 130 x 270 x 30	6
08	191809	Upper strap	2	33	209163	Lock washer M12	6
09	752949	Spray tank lid assembly (includes: ref. 10 to 19)	1	34	626234	Hex. nut M 12	6
10	870261	Breather assembly	1	35	949479	Sticker: "logotype"	1
11	870295	Deflector	1	36	442673	Sticker: "Sprayer maintenance"(Eng.)	1
12	870279	Lid seat	1	37	360248	Sticker: "Fan guard screen"	1
13	870204	Lid articulator	1	38	360230	Sticker: protectors indication	1
14	870212	Articulation pin	1	39	354746	Sticker: Warning 1 (English)	1
15	870220	Packing ring	1	40	039412	Sticker: direction for transport	1
16	870287	Coupling nut	1	41	219709	Sticker: Drawbar adjustment (English)	1
17	994863	Packing ring 367 x 6.99	1	42	169128	Sticker: "Chemical container rinse nozzle"	1
18	870253	Float	1	43	130633	Sticker: "Chemicals" (English)	1
19	870238	Spray tank lid	1		262758	Sticker: " J-2600 CANNON"	2
20	314799	Flat washer 52 x 160 x 12.4	8				
21	247973	Tank mounting base	1				
22	997809	Reinforcement 31.8 x 70	4				
23	030247	Hex. nut dodi-loc M8 x 1.25	2				
24	362749	Support Handle	1				

SUCTION FILTER FVS-200



F-35

Item	CODE	DESCRIPTION	Qty.	Item	CODE	DESCRIPTION	Qty.
00	941344	Suction Filter FVS-200	1	26	534412	Hose fitting \varnothing 2"	1
01	941336	Suction filter body	1	27	005900	Coupling nut	1
02	817379	Half-strap	1	28	834069	Handle assembly	1
03	209395	Lock washer M10	4	29	011734	Knobbed screw	1
04	907030	Hex. nut M10 x 1.25	4	30	817403	Handle	1
05	534453	Union nut	1	31	817395	Cover with seat	1
06	593673	Lock ring	1	32	472597	Packing ring \varnothing 136	1
07	534420	Valve body	1	33	592709	Packing ring OR1-233	1
08	012146	Key ring \varnothing 40	1	34	588913	O-ring OR-330	1
09	590729	Suction filter valve	1		379230	Sticker: "Read Operator's Manual - Horizontal"	1
10	834044	Valve guide	1				
11	537423	Nut \varnothing 1/2" BSP	1				
12	010827	Packing ring \varnothing 29 x 22 x 3	1				
13	615021	Valve guide	1				
14	416669	O-ring OR1-110	2				
15	005975	Spacer washer	2				
16	005967	Spring seat	1				
17	006148	Compression spring	1				
18	105288	Flexible pin \varnothing 4 x 20 (heavy)	1				
19	534438	Valve	1				
20	817353	Triple filtering element 820 with flange	1				
21	817346	Double filtering element	1				
22	757559	Hex. bolt M10 x 30 x 1.25	2				
23	422436	Flat washer 104 x 254 x 19	2				
24	168070	Hex. head bolt M 10 x 25 x 1,25	2				
25	732115	Half-strap with bracket	1				