

J-1000

English version

EDITION - 05/2009

CODE - 979193

Parts catalog



MÁQUINAS AGRÍCOLAS JACTO S.A.

Rua Dr. Luiz Miranda, 1650

17580-000 - Pompéia - SP - Brasil

Tel.: +55 14 3405-2100 - Fax: +55 14 3452 1306

E-mail: export@jacto.com.br

Home page: <http://www.jacto.com.br>

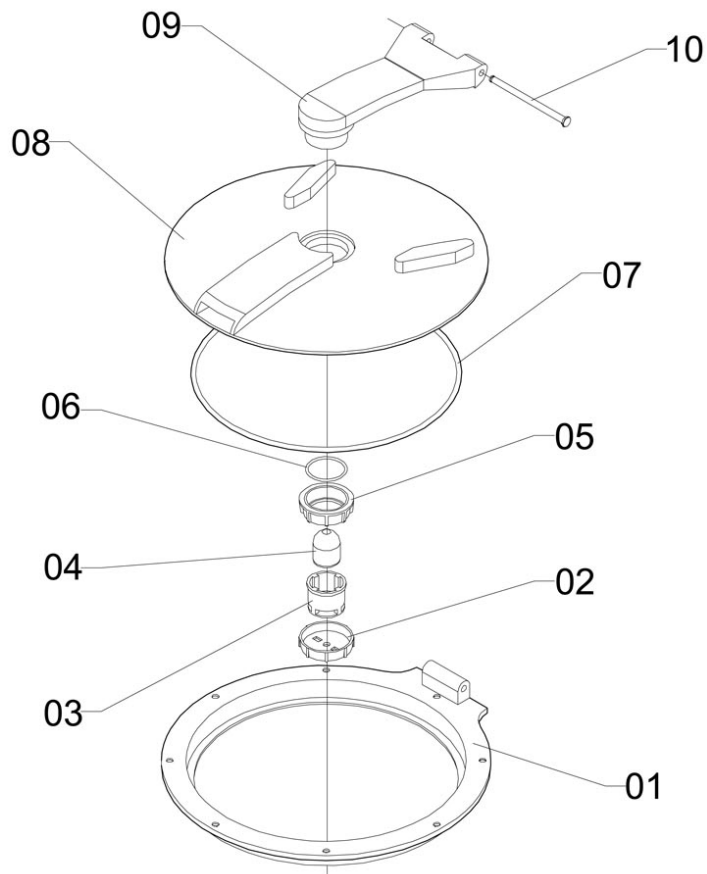
J-1000

EQUIPMENT	PAGE
Jacto J-1000.....	4

Jacto J-1000 (CODE: 1157928)

ENTIRE ASSEMBLIES	PAGE
1000-LITER TANK	36
ACCESSORIES BOX	30
ASSEMBLY - COMBINATION WRENCH + SCREW WRENCH (FOR EXPORT)	45
AXLE (SEE TRACKING AXLE NO. 2)	16
CHEMICAL CONTAINER RINSE NOZZLE KIT	38
CONTROL BRANCH ASSEMBLY	39
CONVENTIONAL PTO SHAFT 810 - 104 - Z= 6 X 35	47
CONVENTIONAL PTO SHAFT 810 - 104 - Z= 8 X 35	48
DRIVE PULLEY WITH GEAR	41
DRIVE TRANSMISSION	18
ELECTRIC CONTROL	40
FAN	20 33
FAN ACTUATION ASSEMBLY	33
FILLER UNIT EJ-250 (WITH 5-M HOSE)	28
FILLER UNIT FOR 75 L/MIN	46
FILLER UNIT FOR 75 L/MIN (HOSE 10 M A 400/1000)	29
FLEXIBLE COUPLING 9	31
HOSE - FILTER/PUMP	51
HOSE - TANK/FILTER	50
INTERMEDIATE DUCT	12
ITALIAN LID	5
MANUAL QUICK RELIEF	22
MASTERFLOW CONTROL 2000 - EL BP	43
MECHANICAL AGITATOR 2005 - 02	32
MULTIPLIER JACTO 6 (1:3)	42
PRESSURE HOSE 1" - QUICK FITTING	44
QUICK RELIEF REDUCTION BOX AND BRANCHES	24
RETURN HOSE	49
SAFETY VALVE	35
SPRAY CIRCUIT FOR JP-75 PUMP	10
SPRAY PUMP JP-75	6
STICKER: J-1000	26
SUCTION FILTER WITH VALVE FOR 100 L/MIN - 30 MESH	34
TRAILER ASSEMBLY FOR TRACKING AXLE	8
TRANSMISSION ASSEMBLY	37
UPPER DUCT ASSEMBLY	14

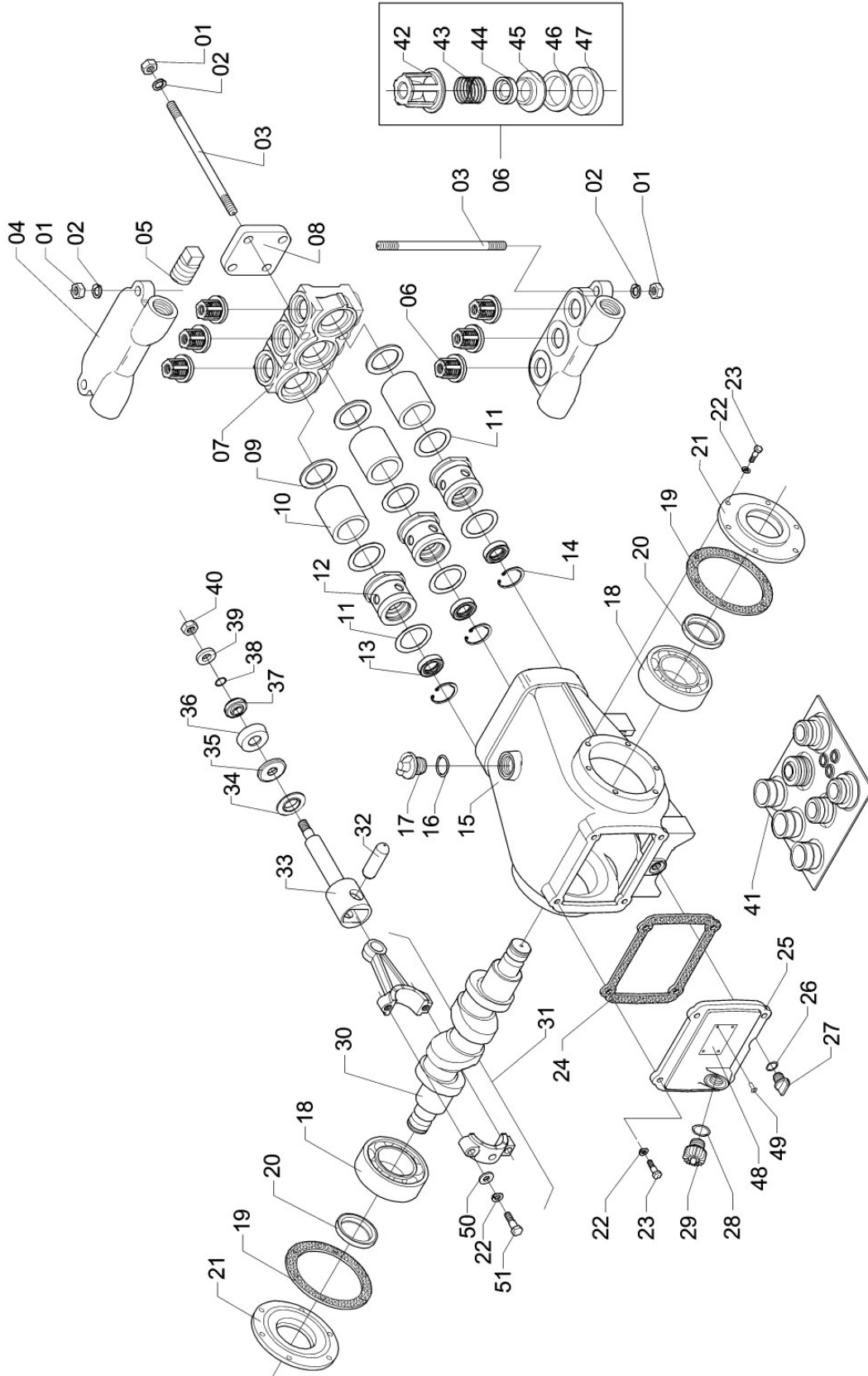
ITALIAN LID



D-133

Item	CODE	DESCRIPTION	Qty.	Item	CODE	DESCRIPTION	Qty.
00	752949	Italian lid	1				
01	870279	Lid seat	1				
02	870295	Deflector	1				
03	870261	Breather assembly	1				
04	870253	Float	1				
05	870287	Coupling nut	1				
06	870220	Packing ring	1				
07	994863	Packing ring > 367 x 6.99	1				
08	870238	Spray tank lid	1				
09	870204	Lid articulator	1				
10	870212	Articulation pin	1				

SPRAY PUMP JP-75



B-83

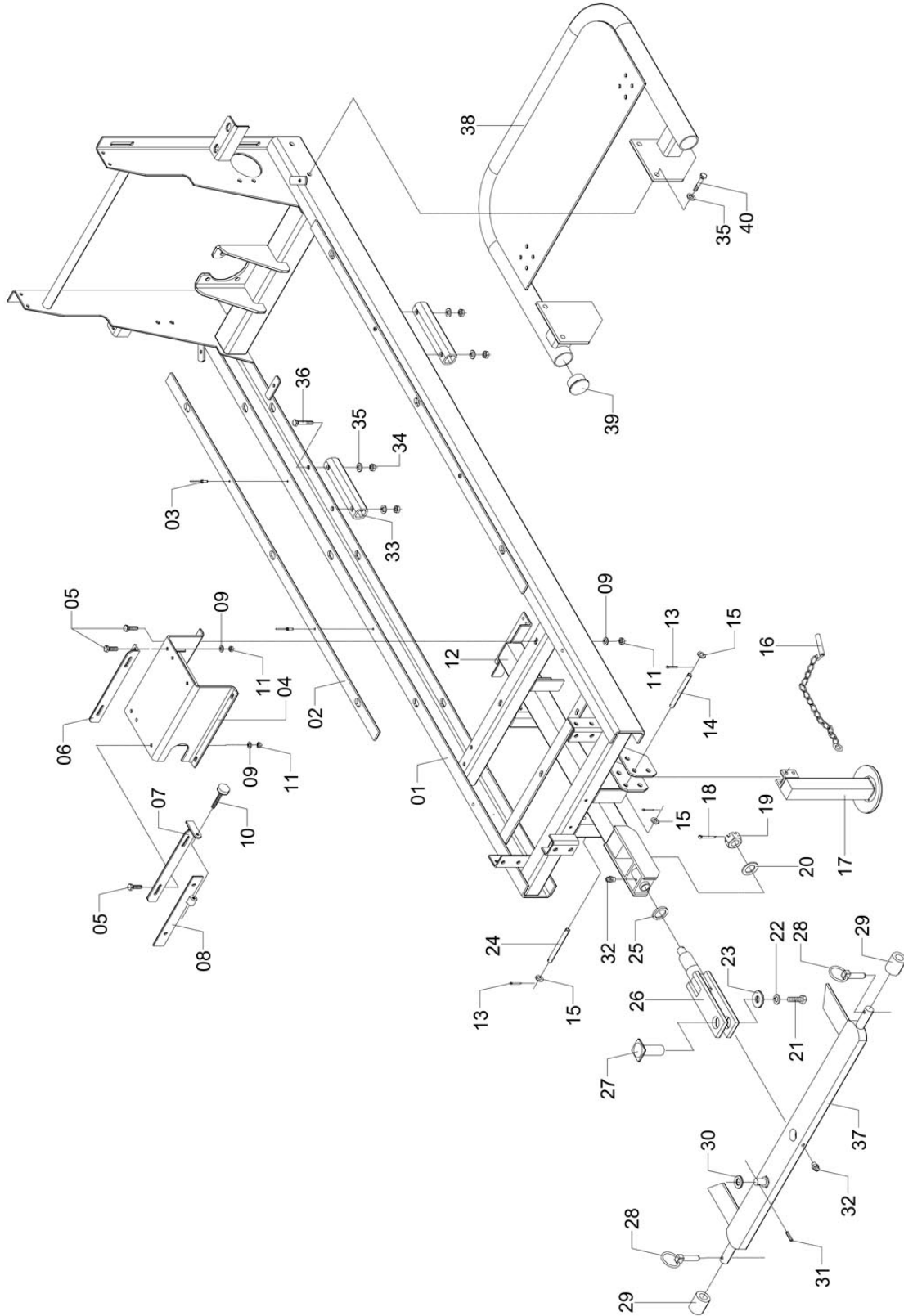
Item	CODE	DESCRIPTION	Qty.	Item	CODE	DESCRIPTION	Qty.
00	984732	Spray pump JP-75	1	03	911974	Stud bolt > 1/2" - 13 UNC x 210	6
01	912790	Hex. nut 1/2" - 13 UNC	8	04	071498	Valve cover	2
02	908582	Lock washer 1/2"	8	05	911305	Plug > 1/2" BSP	2

SPRAY PUMP JP-75

Continuation

Item	CODE	DESCRIPTION	Qty.	Item	CODE	DESCRIPTION	Qty.
06	261404	Pump valve	6				
07	071506	Head JP-75 C (machined part)	1				
08	110320	Clip plate	1				
09	912493	Seal washer › 54 x 2.0	3				
10	423517	Pump sleeve	3				
11	912154	Packing › 54 x 41.5 x 0.4	6				
12	911750	Sleeve guide › 35	3				
13	106922	Retainer › 22 x 35.2 x 7	3				
14	107524	Snap ring for hole › 36	3				
15	110247	Pump body	1				
16	012724	O-ring ORI-119	1				
17	328542	Plug › 3/4" BSP	1				
18	107557	Fixed bearing	2				
19	912147	Packing	2				
20	106930	Retainer	2				
21	911727	Flange with wing	2				
22	519736	Lock washer M8	22				
23	663153	Hex. bolt 5/16" - 18 UNC x 3/4"	22				
24	110379	Packing	1				
25	110338	Pump cover	1				
26	325290	O-ring OR1-112	1				
27	520775	Drain plug 1/4" BSP	1				
28	210146	O-ring OR1-117	1				
29	213736	Plug 1/2" BSP	1				
30	130427	Crankshaft	1				
31	130401	Connecting rod assembly	3				
32	911677	Connecting rod shaft	3				
33	012922	Rod guide	3				
34	211524	Scraper ring	3				
35	911842	Piston cup assembly	3				
36	211482	Piston cup	3				
37	211375	Piston	3				
38	901405	O-ring ORI-014	3				
39	911867	Flat washer 130 x 254 x 50	3				
40	324178	Nut › 1/4" - 20 UNF	3				
41	217133	Pump repair kit	1				
42	073809	Gaiola	6				
43	088070	Compression spring › 19.7 z LO= 23.1	6				
44	088187	Disc › 21.9/22	6				
45	407296	Valve seat	6				
46	508317	Guide ring - pump valve	6				
47	508333	Valve packing	6				
48	985283	Identification plate	1				
49	109587	Round head rivet	4				
50	013433	Flat washer	6				
51	831503	Hex. bolt 5/16"-18 UNC x 1.3/4"	6				
	824201	Lubricating oil - Texaco	2				
	959957	Sticker: "Keep oil on level"	1				
	989251	Sticker: "CAF☐" [COFFEE]	3				

TRAILER ASSEMBLY FOR TRACKING AXLE



C-280

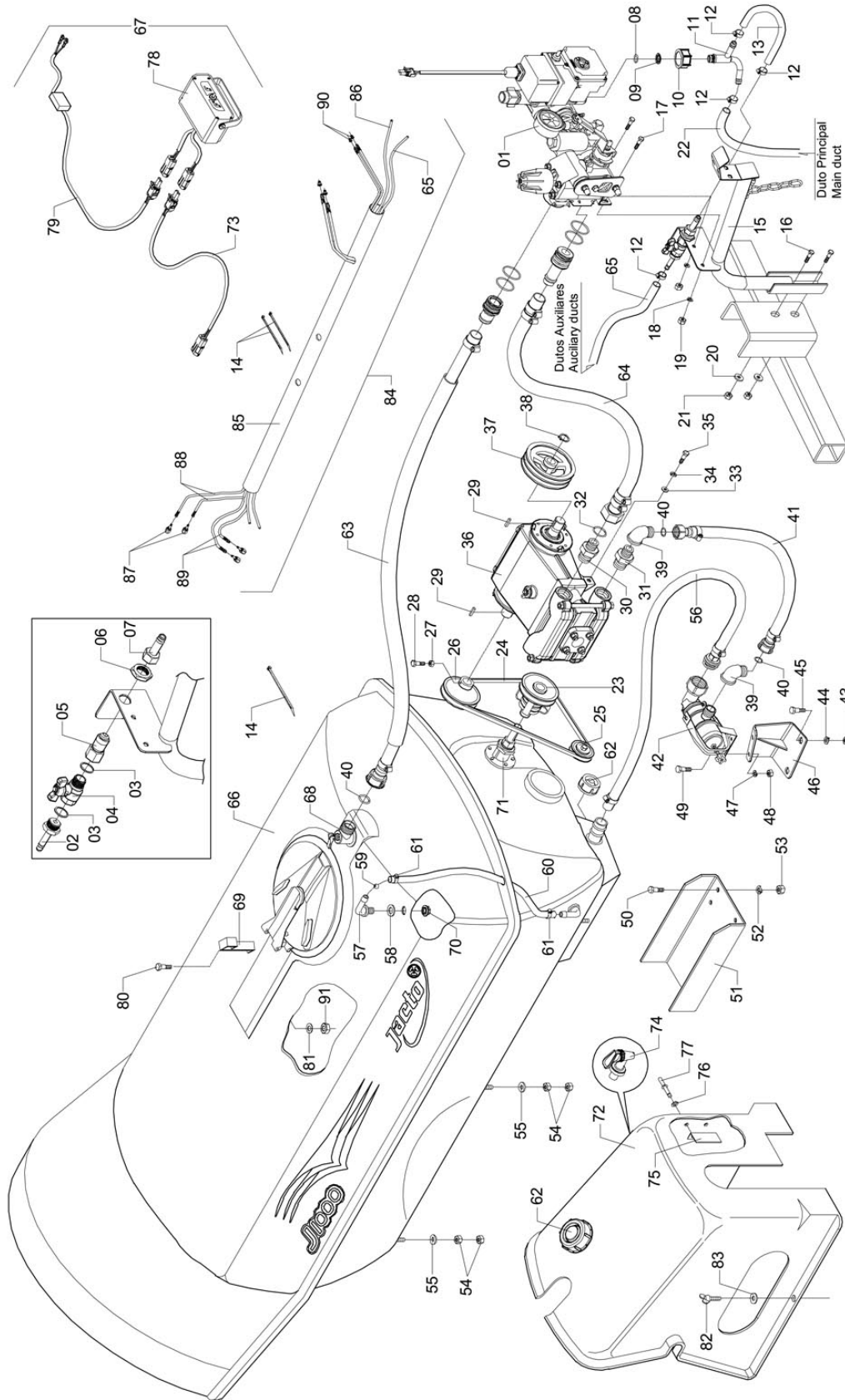
Item	CODE	DESCRIPTION	Qty.	Item	CODE	DESCRIPTION	Qty.
00	080936	Trailer assembly for tracking axle	1	03	324681	Rivet Pop > 4.8 x 16.6	4
01	069772	Trailer chassis	1	04	936351	Pump base	1
02	936344	Tank seat	2	05	757559	Hex. bolt M10 x 30 x 1.25	8

TRAILER ASSEMBLY FOR TRACKING AXLE

Continuation

Item	CODE	DESCRIPTION	Qty.	Item	CODE	DESCRIPTION	Qty.
06	936369	Pump support	1				
07	037648	Pump support (front)	1				
08	037689	Belt tightener	1				
09	209395	Lock washer M10	8				
10	037705	Tightening screw	1				
11	209205	Hex. nut M10 x 1,50	8				
12	936336	Trailer tongue	1				
13	427294	Cotter pin > 4 x 25	6				
14	939215	Pin 86	1				
15	705129	Flat washer 152 x 272 x 9	6				
16	405159	Jack lock	1				
17	936419	Rest	1				
18	209783	Cotter pin > 3/16" x 1.1/2"	1				
19	625160	Castle nut 1.1/8" - 7 UNC	1				
20	001982	Flat washer 300 x 650 x 63	1				
21	663161	Bolt 3/8" - 16 UNC x 7/8"	1				
22	908566	Lock washer > 3/8"	1				
23	507855	Flat washer 103 x 375 x 30	1				
24	936641	Pin 130	2				
25	007567	Flat washer 500 x 700 x 47.5	1				
26	243923	Hitch	1				
27	243949	Lock pin 65.5	1				
28	812636	Universal lock pin 7/16"	2				
29	400325	Lower coupling pin sleeve	2				
30	603811	Flat washer 261 x 506 x 19	1				
31	545855	Flexible pin > 6 x 32	1				
32	910463	Grease nipple 1/4" - 28 UNF	2				
33	1158732	Tracking axle spacer	2				
34	427013	Nut ABTN - 1020 thread M12 x 1,50	4				
35	209163	Lock washer M12	8				
36	364166	Hex. head bolt M12 x 80 x 1,50	4				
37	243907	Drawbar	1				
38	636605	Rear bumper	1				
39	018895	Plastic plug > 52.3	2				
40	829432	Bolt M12 x 35 x 1.75	4				

SPRAY CIRCUIT FOR JP-75 PUMP



CD-573

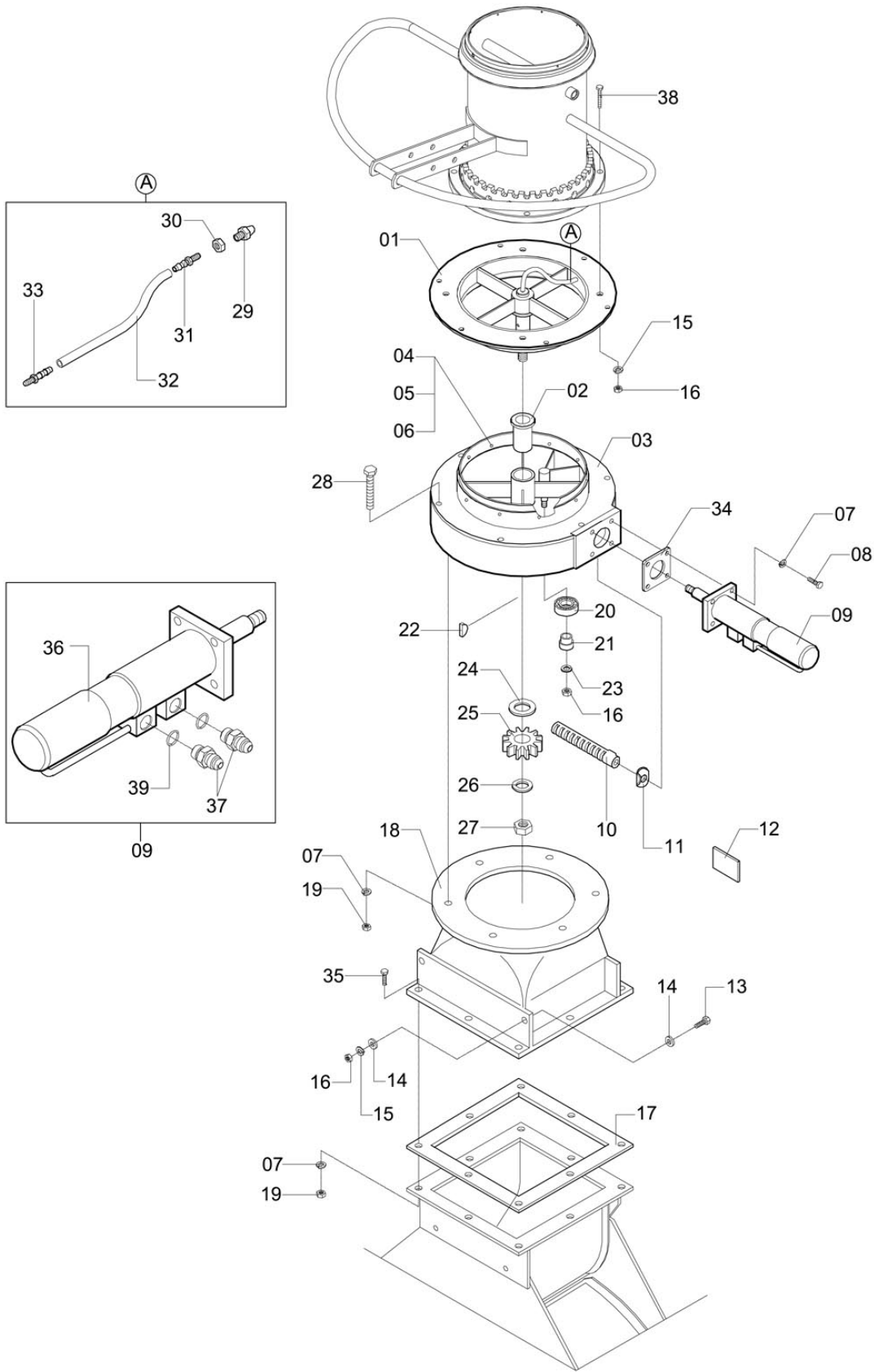
Item	CODE	DESCRIPTION	Qty.	Item	CODE	DESCRIPTION	Qty.
00	082916	Spray circuit for JP-75 pump	1	03	516757	Copper packing 1/2"	2
01	1164554	Masterflow control 2000 - EL BP	1	04	052951	Ball valve	1
02	006170	Fitting for hose > 9.53 (3/8")	1	05	006030	Control nipple	1

SPRAY CIRCUIT FOR JP-75 PUMP

Continuation

Item	CODE	DESCRIPTION	Qty.	Item	CODE	DESCRIPTION	Qty.
06	1158873	Connection fastening nut	1	64	1164682	Pressure hose 1" - quick fitting	1
07	413310	Hose fitting > 12.7 (1/2")	1	65	267088	Hose □ 3/8" x 5300	2
08	322057	O-ring ORI-114	1	66	1160480	1000-liter tank	1
09	892927	Lock ring	1	67	1160931	Electric circuit	1
10	867044	Nut for branch outlet	1	68	134239	Chemical container rinse nozzle kit	1
11	006204	Hose fitting > 1/2"	1	69	547117	Filler unit support	1
12	063370	Clamp D 12-16 - stainless steel	3	70	428748	Flanged nut 1/2" BSP -14 F.P.P.	1
13	219519	Hose > 3/8 x 360	1	71	543348	Mechanical agitator 2005 - 02	1
14	323584	Hose tie	4	72	142562	Front hood	1
15	862508	Control support	1	73	1160911	Connection cable - control	1
16	280925	Hex. head bolt M12 x 35 x 1,50	2	74	044180	Plastic tap 23 x 3/8" BSP	1
17	829382	Hex head bolt M8 x 25 x 1.25	2	75	118109	Pump pulley shield	1
18	519736	Lock washer M8	6	76	508515	Flat washer no. 43 x 102 x 8	2
19	810770	Hex. nut M8 x 1.25	6	77	519777	Rivet "POP" > 4.0 x 12.8	2
20	881227	Flat washer 130 x 270 x 30	2	78	1160913	On/Off switch assembly J-1000	1
21	173245	Hex. nut parlock M12 x 1.25	2	79	982248	Feed cable	1
22	846204	Pressure hose 1/2" 5710 - 12,7 - 16	1	80	819631	Bolt > 1/4"- 20 UNC x 1"	2
23	727925	Flexible coupling 9	1	81	712554	Flat washer 70 x 180 x 12,4	2
24	322222	Trapeze belt A-33	1	82	937904	Thumbscrew > 5/16"	2
25	645416	Tightening pulley assembly 78 x 1A (PE-78 I)	1	83	733253	Flat washer 82 x 254 x 15	2
26	817569	Pulley > 146 x 1A	1	84	1167949		1
27	912758	Hex. nut 5/16" - 18 UNC	1	85	1167931	Pressure hose 2.1/2" x 4200	1
28	912667	Bolt 5/16" x 18 UNC x 7/8	1	86	714105	Pressure hose 1/2" x 5830 - 12,7 - 16	1
29	015305	Square key 5/16" x 30	2	87	355289	Male quick fitting with plug 1/2" NPT	4
30	202861	Nipple 1" BSP - 11 F.P.P.	1	88	1157676	Hydraulic hose SAE J517 100R1AT - 4 6300	2
31	037820	Nipple 1.1/4" BSP x 1" (reducer)	1	89	1158951	Hydraulic hose SAE J517 100R1AT/R17 - 4 5800 F	2
32	402412	Lock washer > 31 x 22.5 x 22.5/3.0	2	90	262766	Nipple 1/2" - 20 UNF x 1/2" NPT	4
33	818112	Flat washer 130 x 240 x 30	6	91	730309	Hex. nut M6 x 1.00 - Steel	2
34	908582	Lock washer 1/2"	4				
35	520205	Bolt 1/2" - 13 UNC x 1.1/4"	4				
36	984732	Spray pump JP-75	1				
37	327668	Pulley > 200 - 2B	1				
38	910166	Snap ring for shaft	1				
39	116830	Male/female elbow > 1.1/4" BSP 900	1				
40	731521	O-ring OR1 - 124	4				
41	1164675	Hose - Filter/Pump	1				
42	425959	Suction filter with valve - 100 L/min	1				
43	907030	Hex. nut M10 x 1.25	2				
44	209395	Lock washer M10	2				
45	757559	Hex. bolt M10 x 30 x 1.25	2				
46	826891	Suction filter support	1				
47	521666	Lock washer M6	2				
48	810689	Hex. nut M6 x 1.00	2				
49	919084	Bolt M6 x 28 x 0.1	2				
50	168062	Hex. head bolt M12 x 30 x 1,50	4				
51	938589	Sump protector	1				
52	209163	Lock washer M12	4				
53	427013	Nut ABTN - 1020 thread M12 x 1,50	4				
54	938498	Hex. nut M16 x 2.00	12				
55	881300	Flat washer 170 x 380 x 3.0	6				
56	1164674	Hose - Tank/Filter	1				
57	428730	Elbow 3/4" x 1/2" BSP -14 F.P.P.	2				
58	973024	Seal 36 x 21 x 6	2				
59	324764	Float > 14	1				
60	938340	Hose □ 3/4" x 840	1				
61	423814	Clamp D22-32 - stainless steel	2				
62	900761	Drain cap > 67	2				
63	1164670	Return hose	1				

INTERMEDIATE DUCT



CH-247

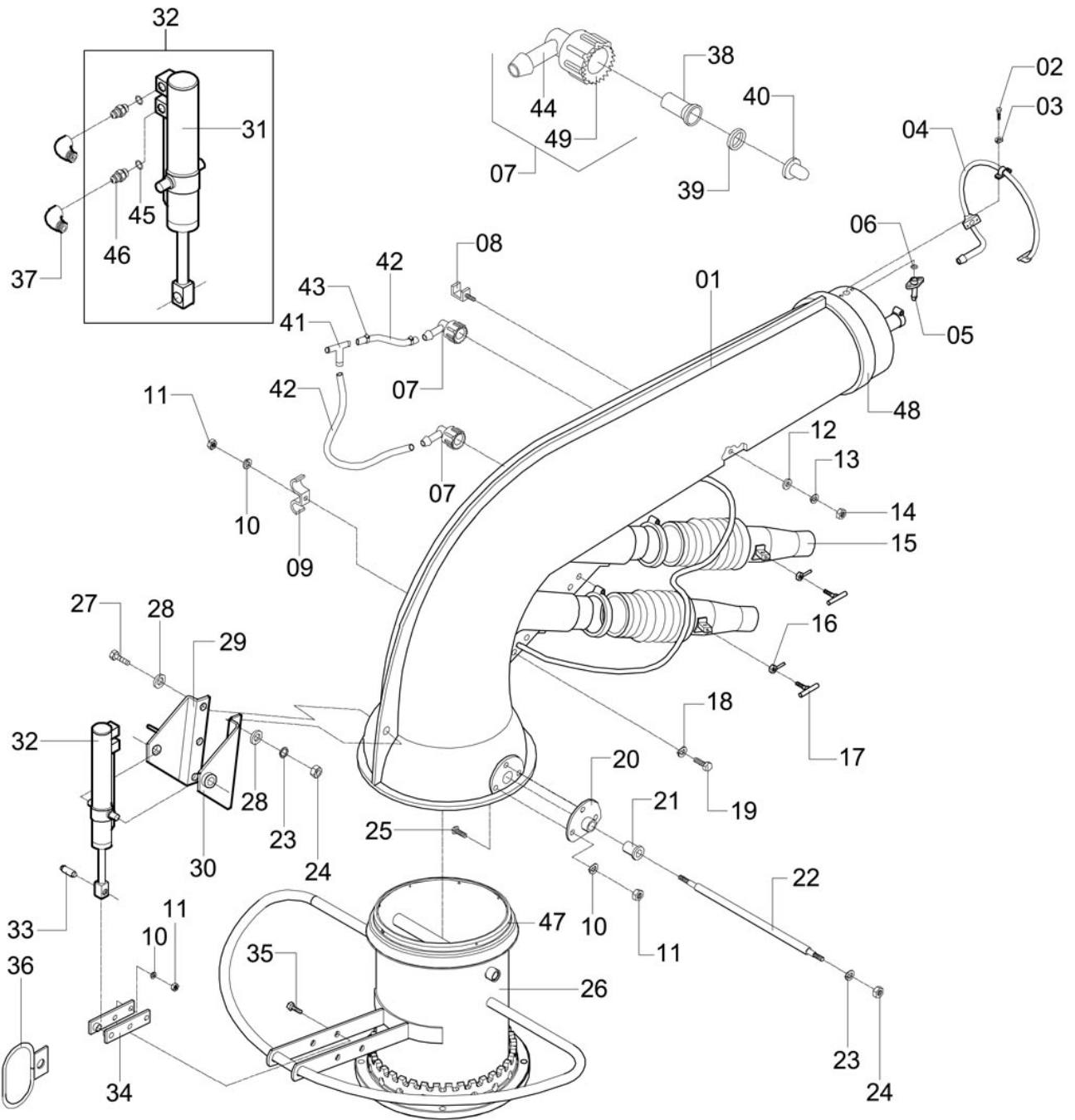
Item	CODE	DESCRIPTION	Qty.	Item	CODE	DESCRIPTION	Qty.
00	1164698	Intermediate duct	1	03	229062	Fixed flange	1
01	228973	Moving flange]	1	04	229047	Seal	1
02	229013	Bushing > 34 x 62	1	05	508515	Flat washer no. 43 x 102 x 8	9

INTERMEDIATE DUCT

Continuation

Item	CODE	DESCRIPTION	Qty.	Item	CODE	DESCRIPTION	Qty.
06	551754	Rivet 3.0 x 12	9				
07	519736	Lock washer M8	18				
08	836502	Screw 5/16" - 18 UNC x 1"	4				
09	045889	Hydraulic cylinder 32 x 100 with nipple	1				
10	519975	Rack	1				
11	903591	Seal washer › 25.8 x 13.4 x 1.25	1				
12	515726	Sticker: Lubricate daily	1				
13	913665	Hex. head bolt 3/8" - 16 UNC x 1.1/4"	2				
14	422436	Flat washer 104 x 254 x 19	4				
15	908566	Lock washer › 3/8"	6				
16	518761	Hex. nut › 3/8"	7				
17	822205	Packing	1				
18	822619	Fixed duct	1				
19	810770	Hex. nut M8 x 1.25	14				
20	520734	Bearing no. 6002	1				
21	519330	Bushing	1				
22	519348	Half moon key 6 x 9 x 22	1				
23	624130	Flat washer 105 x 180 x 16	1				
24	544932	Flat washer 260 x 420 x 1.4	1				
25	519355	Gear	1				
26	521039	Flat washer 170 x 300 x 30	1				
27	521021	Nut M-16 X 1.50 DODI LOC	1				
28	750778	Hex. head bolt M8 x 90 x 1.25	6				
29	910463	Grease nipple 1/4" - 28 UNF	1				
30	916627	Nut 7/16" - 14 UNC	1				
31	426189	Fitting	1				
32	517920	Hose › 1/4" x 340	1				
33	426205	Male fitting for hose › 1/4"	1				
34	672279	Hydraulic cylinder spacer	1				
35	829382	Hex head bolt M8 x 25 x 1.25	8				
36	519967	Hydraulic cylinder › 32 x 100	1				
37	521906	Dosage nipple 0.50	2				
38	841528	Hex. bolt 3/8" UNC x 1.1/2"	4				
39	426361	O-ring OR2-905	2				

UPPER DUCT ASSEMBLY



CH-246

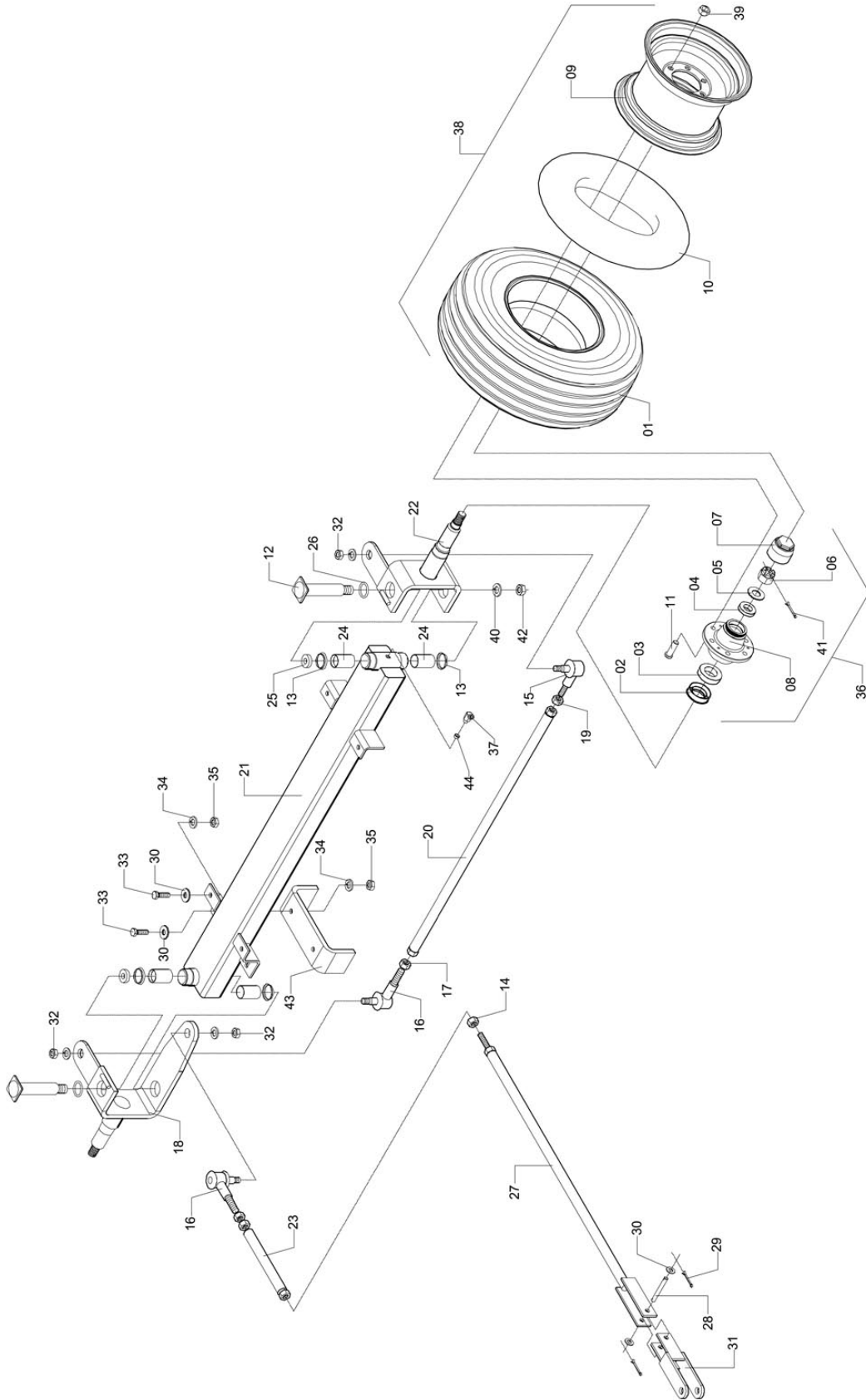
Item	CODE	DESCRIPTION	Qty.	Item	CODE	DESCRIPTION	Qty.
00	1164691	Upper duct assembly	1	03	520676	Lock washer M5	6
01	823351	Outlet duct	1	04	822585	Nozzle branch (upper)	1
02	202382	Screw > 3/16" UNC x 3/4"	6	05	822361	Deflector nozzle 30S	3

UPPER DUCT ASSEMBLY

Continuation

Item	CODE	DESCRIPTION	Qty.	Item	CODE	DESCRIPTION	Qty.
06	411884	O-ring ORI - 111	3				
07	539049	Fitting 90° with nut	2				
08	519363	Single fastener	1				
09	519389	Double fastener	1				
10	519736	Lock washer M8	21				
11	912758	Hex. nut 5/16" - 18 UNC	7				
12	413468	Flat washer 68 x 190 x 12	1				
13	910117	Lock washer > 1/4"	1				
14	912741	Nut > 1/4" - 20 UNC	1				
15	823708	Extension > 50"	2				
16	823682	Lock nut 5/16" - 18 UNC x 28	2				
17	944439	Locking screw 5/16" - 18 UNC x 28	2				
18	013433	Flat washer	1				
19	912667	Bolt 5/16" x 18 UNC x 7/8	9				
20	822270	Outer pillow block	2				
21	822254	Guide bushing	2				
22	822239	Stud bolt > 3/8" x 340	1				
23	908566	Lock washer > 3/8"	3				
24	518761	Hex. nut > 3/8"	3				
25	833814	Screw > 5/16" UNC x 1"	6				
26	156463	Moving duct	1				
27	913665	Hex. head bolt 3/8" - 16 UNC x 1.1/4"	3				
28	422436	Flat washer 104 x 254 x 19	4				
29	229195	Cylinder support (left)	1				
30	229179	Cylinder support (right)	1				
31	519991	Hydraulic cylinder □ 32 x stroke = 160	1				
32	045897	Hydraulic cylinder with nipple	1				
33	233510	Joint pin > 12,7 x 55	1				
34	233486	Cylinder support	2				
35	912709	Bolt > 3/8" - 16 UNC x 1"	4				
36	233528	Guide for Hose	1				
37	210963	Elbow with o-ring	2				
38	439083	Nozzle filter (50 mesh)	2				
39	510008	Packing no. 10.5	2				
40	519579	Fitting 0.5 x 120\$	2				
41	409169	Tee fitting for hose > 3/8"	1				
42	821892	Hose □ 3/8" x 220	2				
43	063370	Clamp D 12-16 - stainless steel	4				
44	519587	Fitting 3/8" x 90	2				
45	426361	O-ring OR2-905	2				
46	521906	Dosage nipple 0.50	2				
47	540518	Rivet - 6,35 x 19,05 (stainless steel)	18				
48	519785	Rivbet Pop	8				
49	519595	Fixed nut M22 x 2,5	2				

AXLE (SEE TRACKING AXLE NO. 2)



EX-175

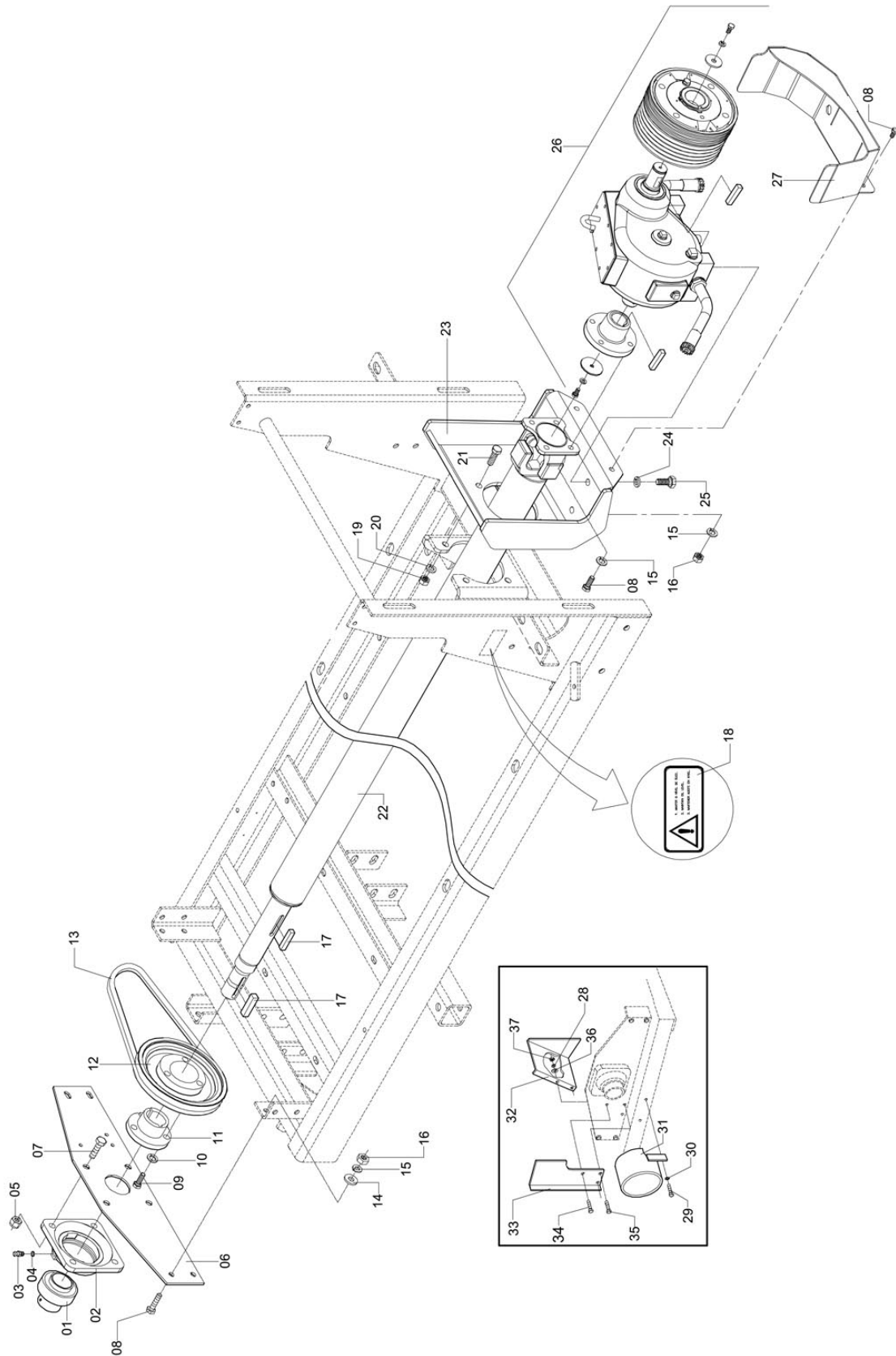
Item	CODE	DESCRIPTION	Qty.	Item	CODE	DESCRIPTION	Qty.
00	634774	Axle (see Tracking Axle no. 2)	1	03	914663	Cone bearing	2
01	006923	Tire 11L-15 - 12 plies	2	04	914689	Cone bearing	2
02	215434	Retainer	2	05	632158	Flat washer 262 x 440 x 19	2

AXLE (SEE TRACKING AXLE NO. 2)

Continuation

Item	CODE	DESCRIPTION	Qty.	Item	CODE	DESCRIPTION	Qty.
06	503052	Castle nut 1" - 14 UNF	2				
07	610188	Hub cap	2				
08	443028	Wheel hub	2				
09	817312	Rim 10 LB - 15	2				
10	323402	Inner tube 11 L - 15	2				
11	503045	Screw 1/2" UNF x 1.1/2"	12				
12	936765	Joint pin	2				
13	937276	Seal	4				
14	825208	Nut M - 20 x 2.50 - CL.88	1				
15	937284	Tie rod end (right)	1				
16	937292	Tie rod end (left)	2				
17	937300	Nut M - 14 x 1.5 (left)	2				
18	634733	Axle knuckle 270	1				
19	936815	Hex. nut M14 x 1.5 - right	1				
20	936807	Tie rod	1				
21	945493	Axle body	1				
22	634725	Axle end	1				
23	936864	Drive rod	1				
24	104448	Pillow block bushing	2				
25	936898	Felt › 35	2				
26	519959	O-ring ORI - 020	2				
27	270918	Tie rod tube	1				
28	936948	Pin › 12.7 x 68	1				
29	910240	Cotter pin › 3.18 x 25.4	2				
30	818112	Flat washer 130 x 240 x 30	9				
31	243998	Tie rod arm (from 06/1993)	1				
32	937326	Nut M -12 x 1.5	3				
33	280925	Hex. head bolt M12 x 35 x 1,50	6				
34	209163	Lock washer M12	6				
35	427013	Nut ABTN - 1020 thread M12 x 1,50	6				
36	063594	Wheel hub assembly - 6 holes	2				
37	111245	Grease nipple 1/4" x 28 UNF x 45	2				
38	084335	Tires assembly 10 LB-15	2				
39	503094	Lug nut › 1/2" UNF	12				
40	403808	Flat washer 194 x 320 x 15	2				
41	911347	Cotter pin › 5/32" x 1.1/2"	2				
42	937185	Nut M - 18 x 1.5	2				
43	945683	Seat plate	1				
44	731083	Ring › 6.45 x › 7.94 x 2	2				
	515726	Sticker: Lubricate daily	2				

DRIVE TRANSMISSION



TMT-157

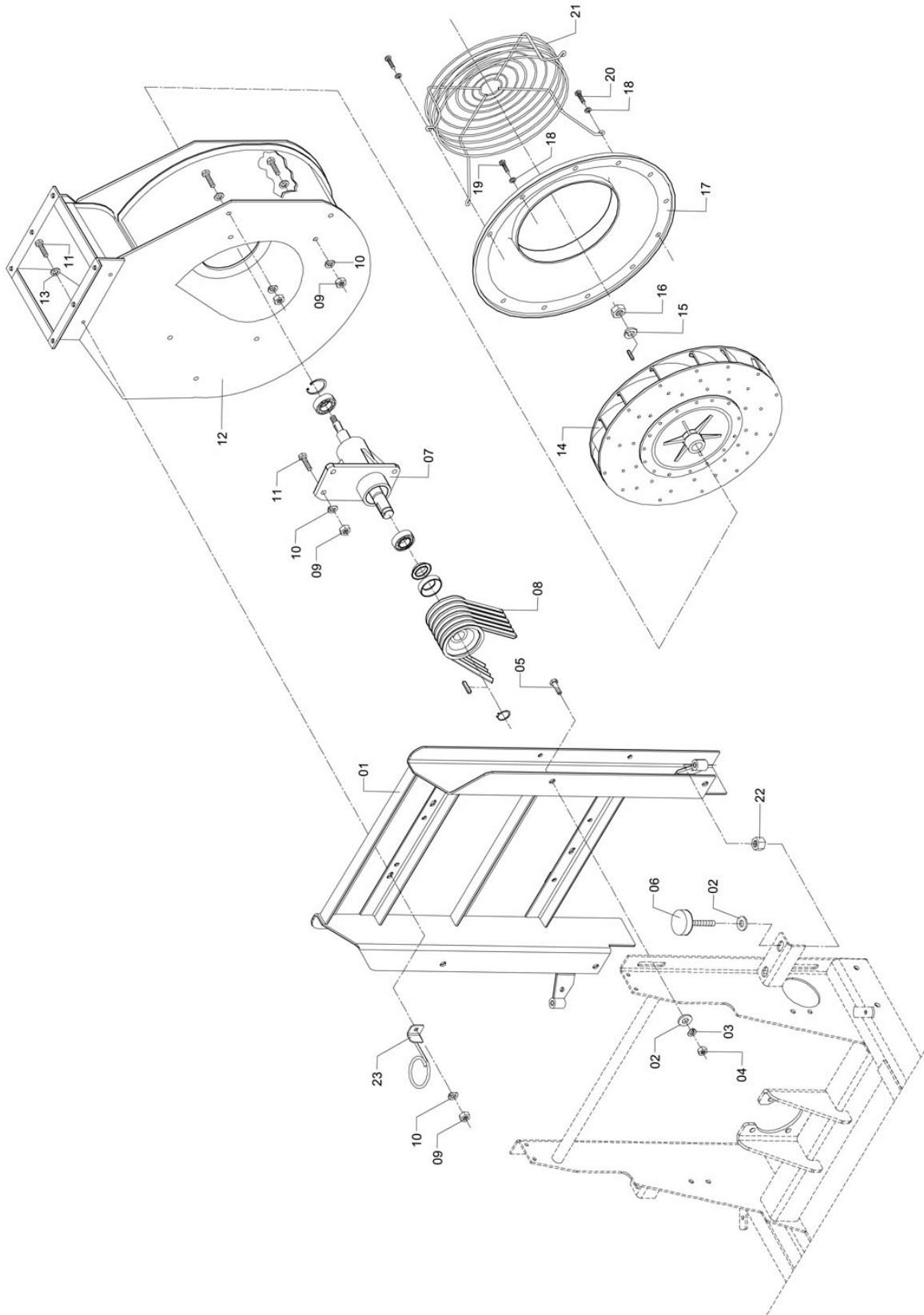
Item	CODE	DESCRIPTION	Qty.	Item	CODE	DESCRIPTION	Qty.
00	081884	Drive transmission	1	03	910463	Grease nipple 1/4" - 28 UNF	1
01	970798	Self-compensating bearing	1	04	822650	Ring > 9.8 x > 12.7 x 2.0	1
02	969436	Flange-type bearing II	1	05	173245	Hex. nut parlock M12 x 1.25	4

DRIVE TRANSMISSION

Continuation

Item	CODE	DESCRIPTION	Qty.	Item	CODE	DESCRIPTION	Qty.
06	936229	Bearing support (front)	1				
07	280925	Hex. head bolt M12 x 35 x 1,50	4				
08	757559	Hex. bolt M10 x 30 x 1.25	10				
09	518753	Bolt 3/8" - 16 UNC x 1.1/4"	3				
10	908566	Lock washer > 3/8"	3				
11	725333	Pulley lock	1				
12	941781	Pulley > 200 - 2 B	1				
13	426015	Trapeze belt 42	2				
14	623884	Flat washer 105 x 210 x 20	4				
15	209395	Lock washer M10	10				
16	907030	Hex. nut M10 x 1.25	6				
17	521765	Square key 9,53 (3/8") x 50	2				
18	013540	Sticker: Keep the oil on level	1				
19	626234	Hex. nut M 12	4				
20	209163	Lock washer M12	4				
21	832170	Hex. bolt M12 x 45 x 1.75 cl 5.8	4				
22	070002	Transmission shaft	1				
23	173955	Multiplier base	1				
24	908582	Lock washer 1/2"	4				
25	520205	Bolt 1/2" - 13 UNC x 1.1/4"	4				
26	1164552	Transmission assembly	1				
27	1159691		1				
28	521666	Lock washer M6	3				
29	441030	Bolt > 1/4" - 20 UNC x 5/8"	2				
30	910117	Lock washer > 1/4"	2				
31	118067	PTO shaft shield	1				
32	117515	Inner shield	1				
33	117523	Front shield	1				
34	810697	Bolt M6 x 1 x 20	2				
35	829507	Hex. head bolt M6 x 16 x 1.00	1				
36	358267	Flat washer 64 x 125 x 16	3				
37	810689	Hex. nut M6 x 1.00	3				

FAN



V-34

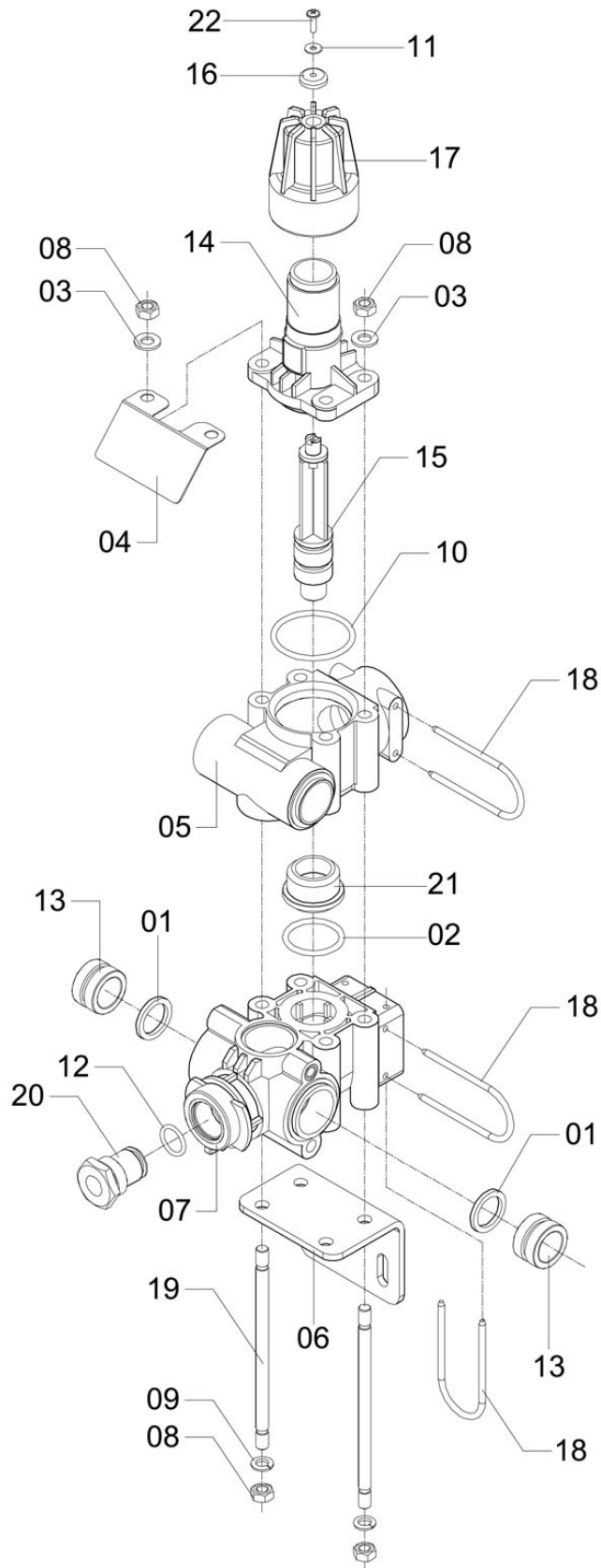
Item	CODE	DESCRIPTION	Qty.	Item	CODE	DESCRIPTION	Qty.
00	081686	Fan	1	03	209163	Lock washer M12	4
01	070010	Sliding frame	1	04	626234	Hex. nut M 12	4
02	881292	Flat washer 135 x 320 x 30	4	05	829432	Bolt M12 x 35 x 1.75	4

FAN

Continuation

Item	CODE	DESCRIPTION	Qty.	Item	CODE	DESCRIPTION	Qty.
06	941948	Tightening screw › 1/2" - 13 UNC	2				
07	1164532	Fan actuation assembly	1				
08	651562	Trapeze belt 3V 375 - 37,5	6				
09	209205	Hex. nut M10 x 1,50	13				
10	209395	Lock washer M10	13				
11	829416	Bolt M-10 x 35 x 1.5	13				
12	820514	Fan housing	1				
13	818104	Flat washer 103 x 260 x 30	9				
14	019273	Fan rotor	1				
15	910075	Lock washer › 1"	1				
16	007054	Hex. nut › 1" - 14 UNF	1				
17	820381	Fan housing cover	1				
18	413468	Flat washer 68 x 190 x 12	12				
19	910745	Self-locking screw › 1/4" x 3/4"	8				
20	438036	Self-locking screw › 1/4" x 1"	4				
21	017814	Guard screen	1				
22	326280	Nut › 1/2" UNC	2				
23	821629	Hose support	1				

MANUAL QUICK RELIEF



CV-404

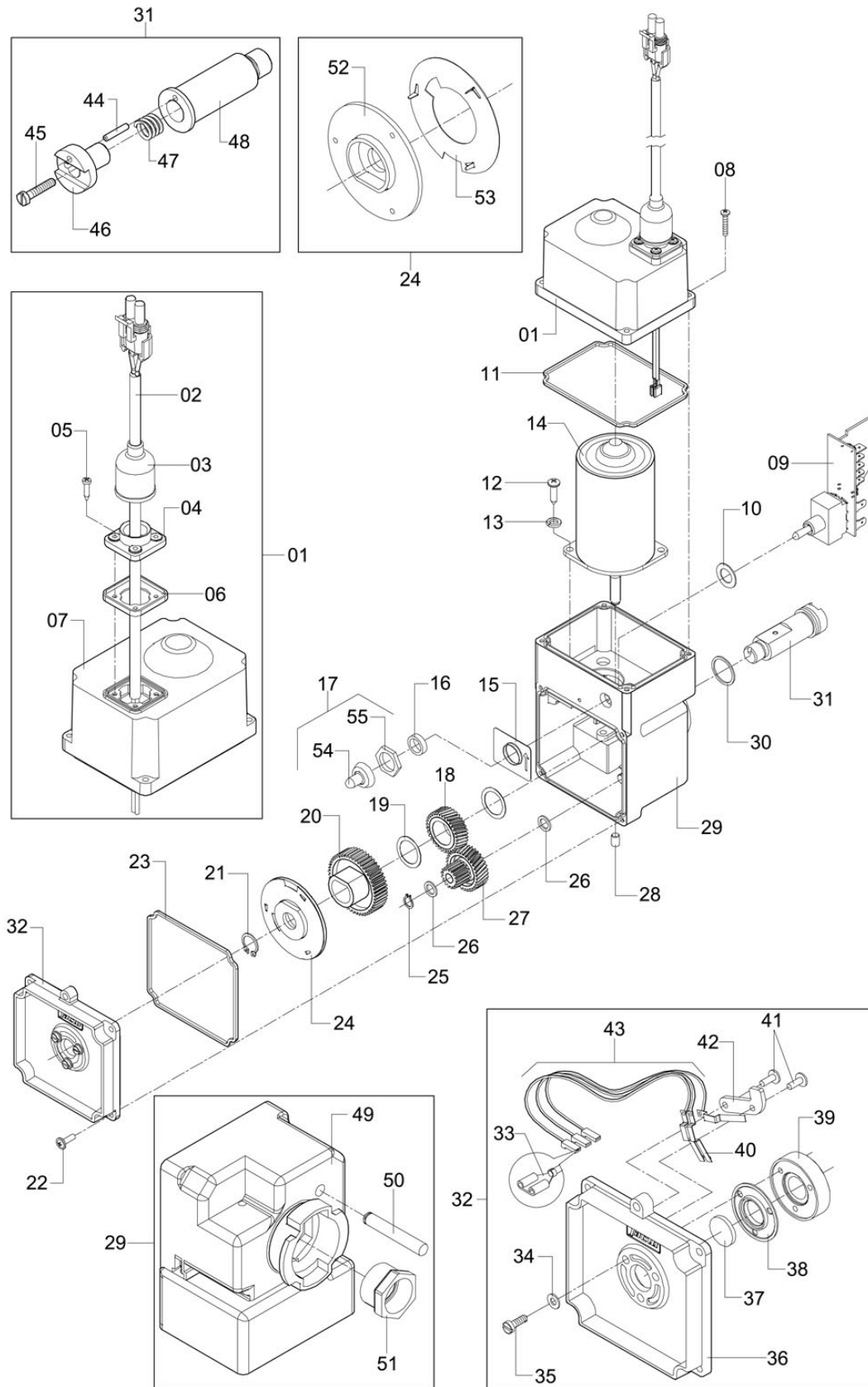
Item	CODE	DESCRIPTION	Qty.	Item	CODE	DESCRIPTION	Qty.
00	1161388	Manual quick relief	1	03	013433	Flat washer	4
01	010827	Packing ring x 29 x 22 x 3	2	04	1161387	Identification plate - control	1
02	011593	O-ring OR1-219	1	05	049494	Quick relief body	1

MANUAL QUICK RELIEF

Continuation

Item	CODE	DESCRIPTION	Qty.	Item	CODE	DESCRIPTION	Qty.
06	057356	Fastening support	1				
07	165811	Body base	1				
08	221648	Nut M8 x 1.25 - stainless steel	8				
09	519736	Lock washer M8	4				
10	735282	O-ring OR2-225	1				
11	762088	Flat washer 37 x 110 x 8	1				
12	832857	O-ring OR1-115	1				
13	860080	Quick relief seat bushing	2				
14	861468	Pressure regulator cylinder	1				
15	861476	Pressure regulator cylinder rod	1				
16	861484	Rod locking washer	1				
17	861518	Manual Pressure Regulator Knob	1				
18	868372	Nozzles U-shaped clamp	3				
19	945907	Stud bolt M8 x 1.25 x 156	4				
20	946079	Core seat	1				
21	946145	Valve seat	1				
22	997171	Flanged head screw 3.5 x 14	1				

QUICK RELIEF REDUCTION BOX AND BRANCHES



CV-355

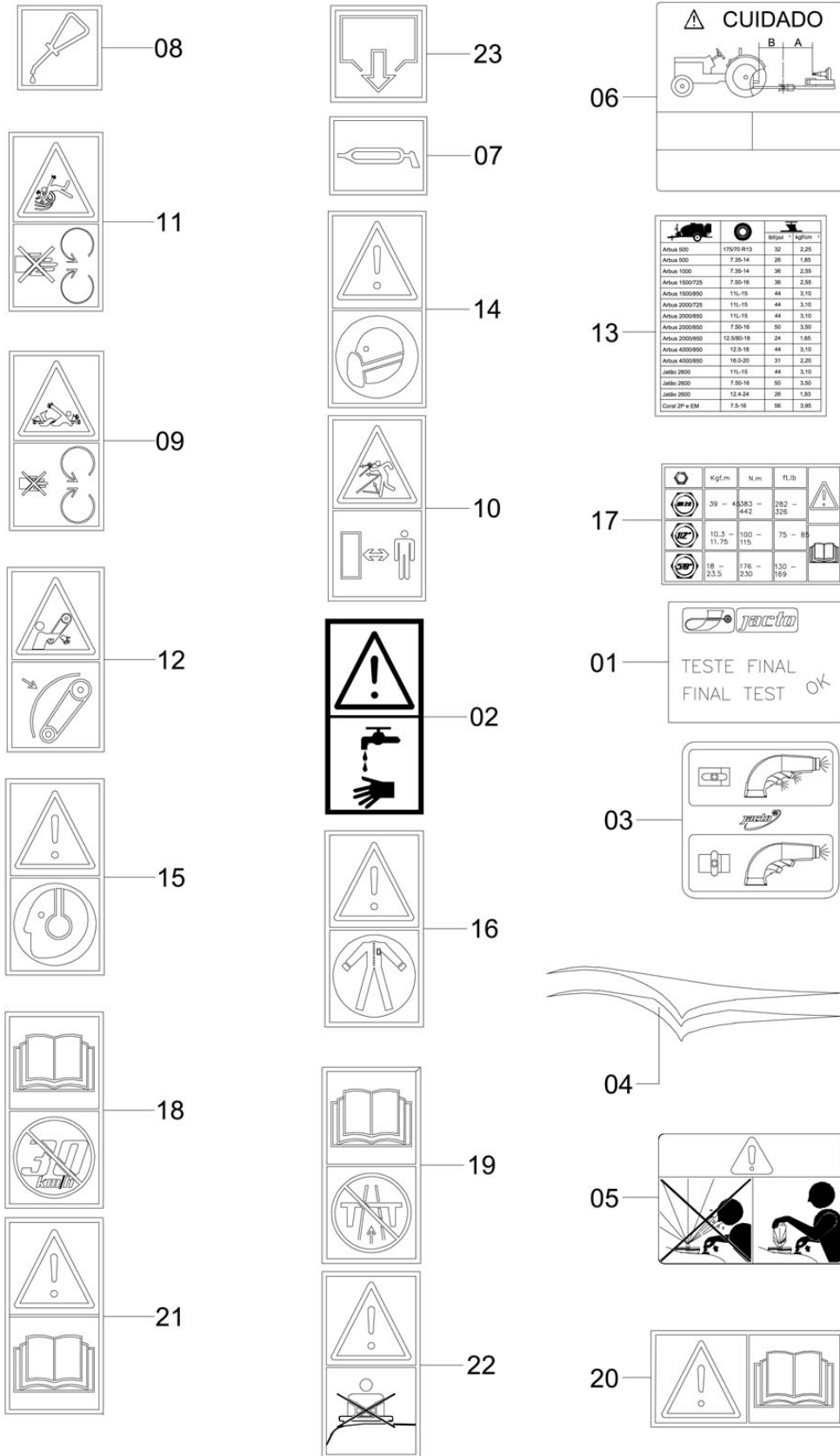
Item	CODE	DESCRIPTION	Qty.	Item	CODE	DESCRIPTION	Qty.
00	582254	Quick relief reduction box and branches	1	03	292300	Cable gland cap	1
01	795294	Cover assembly - quick relief motor	1	04	292292	Cable press base	1
02	583773	Connecting cables - branches	1	05	997197	Screw 3.0 x 16	4

QUICK RELIEF REDUCTION BOX AND BRANCHES

Continuation

Item	CODE	DESCRIPTION	Qty.	Item	CODE	DESCRIPTION	Qty.
06	306811	Connector seal	1				
07	868273	Engine cover	1				
08	878769	Screw 3.5 x 20	4				
09	893347	Boom section plate assembly	1				
10	109462	Flat washer 120 x 205 x 9	1				
11	063032	Engine cover ring	1				
12	304774	Self-tapping screw 4,8 x 19	2				
13	520676	Lock washer M5	2				
14	997148	12-V electric engine without reducer	1				
15	061176	Plate	1				
16	796953	Packing ring	1				
17	508408	Fastener nut	1				
18	472340	Right helicoidal gear	1				
19	965087	Flat washer 205 x 270 x 5	1				
20	983965	Gear	1				
21	997239	Snap ring for shaft > 14	1				
22	709642	Bolt PH > 4 x 14	5				
23	062265	Box ring	1				
24	175737	Contact disc	1				
25	049833	Snap ring	1				
26	093369	Flat washer 84 x 127 x 12.4	2				
27	983957	Conjugate gear	1				
28	997205	Bolt M6 x 10 x 0.8	1				
29	172973	Gear case with bushing	1				
30	164343	Seat washer M24	1				
31	867069	Gear case shaft	1				
32	189803	Gear case cover assembly	1				
33	442434	Receptacle	3				
34	050187	Flat washer 43 x 90 x 8	3				
35	727669	Bolt M4 x 12	3				
36	860148	Gear case cover	1				
37	189795	Gearbox sight	1				
38	189126	Sight seal	1				
39	189845	Sliding bearing	1				
40	868422	Contact plate	3				
41	997213	Flanged head screw 3.5 x 10	2				
42	860205	Plate fastening support	1				
43	015064	Contact plate cable - tubings	1				
44	693861	Lever pin	1				
45	071894	Bolt M4 x 20 x 07	1				
46	145508	Shaft head	1				
47	462572	Compression spring	1				
48	145490	Shaft body	1				
49	049486	Gear box	1				
50	866046	Gear shaft	1				
51	267773	Gear box bushing	1				
52	865931	Contact support	1				
53	867051	Contact disc	1				
54	505800	Wrench cap	1				
55	876482	Wrench fastening nut	1				

STICKER: J-1000



ADS-87

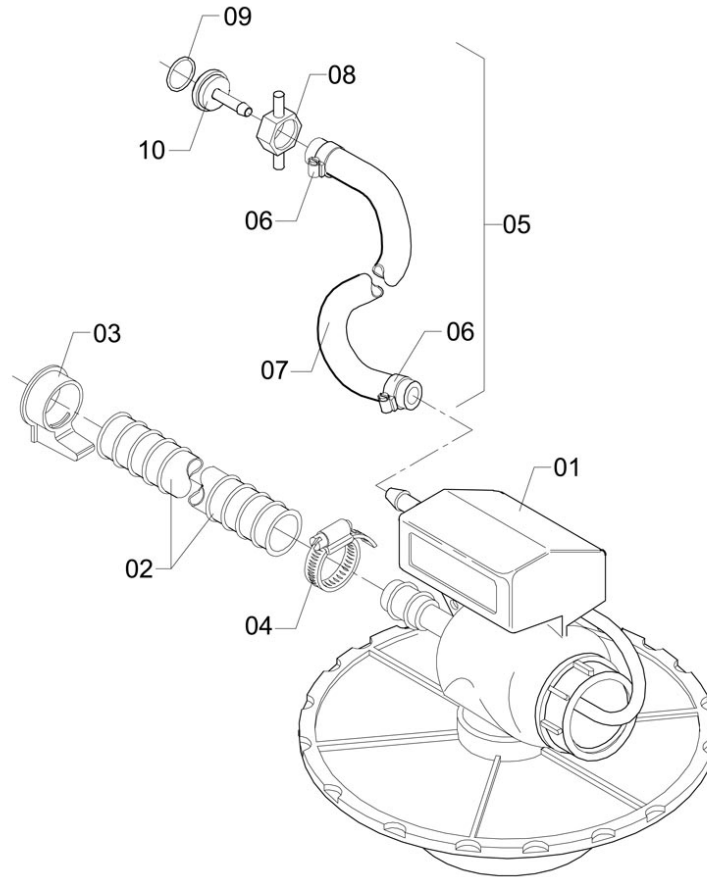
Item	CODE	DESCRIPTION	Qty.	Item	CODE	DESCRIPTION	Qty.
00	1160909	Sticker: J-1000	1				
01	013169	Sticker: "OK- FINAL TEST"	1				
02	379073		1	03	1160686	Sticker - Duct opening and closing	1

STICKER: J-1000

Continuation

Item	CODE	DESCRIPTION	Qty.	Item	CODE	DESCRIPTION	Qty.
04	1161358	Duct sticker	1				
05	169128	Sticker: "Chemical container rinse nozzle"	1				
06	219717	Sticker: Drawbar adjustment (Spanish)	1				
07	276220	Sticker: "Lubrication Point Indication"	4				
08	395061	Sticker: "Lubrication Point Indication -	2				
09	379008	Sticker: "Danger - PTO Shaft"	1				
10	379040	Sticker: "Attention - Keep at a Distance"	1				
11	379057	Sticker: "Keep at a Distance - Fan"	1				
12	379065	Sticker: "Keep all shields in place"	2				
13	391631	Sticker: "Tire Pressure Indication"	1				
14	379115	Sticker: "Obligatory Use of Respirator"	1				
15	379123	Sticker: "Obligatory Use of Hearing Protection"	1				
16	379131	Sticker: "Obligatory Use of Protective Clothing"	1				
17	379164	Sticker: "Nut Torque"	1				
18	379214	Sticker: "Maximum Speed 30 KM/H"	1				
19	379222	Sticker: "This Machine Is Not Allowed In Highways"	1				
20	379230	Sticker: "Read Operator's Manual - Horizontal"	1				
21	379248	Sticker: "Read Operator's Manual - Vertical"	1				
22	380014	Sticker: "Attention: Do Not Get Into The Tank"	1				
23	389387	Sticker: "Drain Indication"	2				

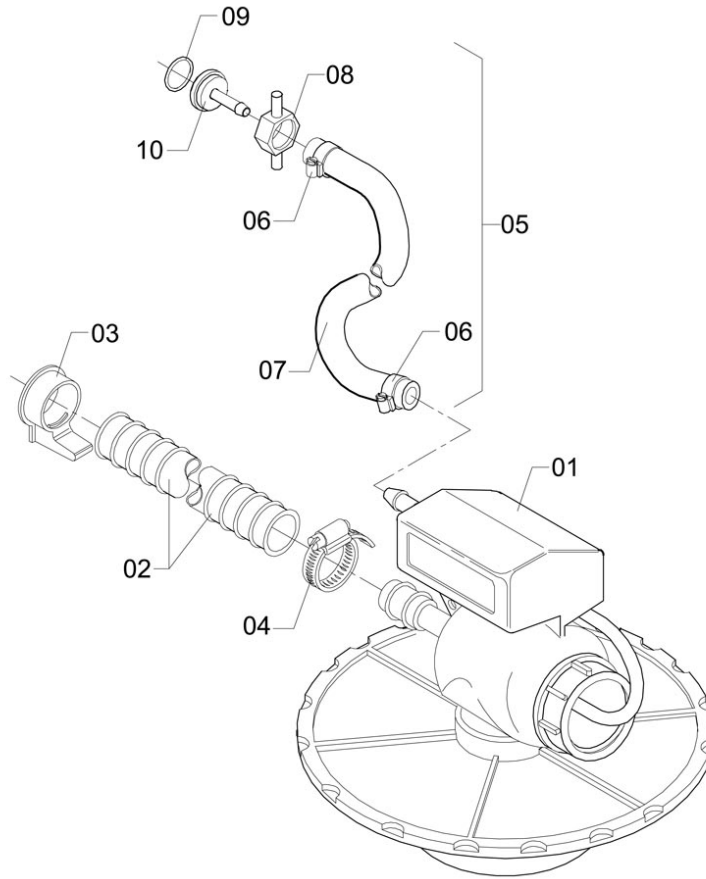
FILLER UNIT EJ-250 (WITH 5-M HOSE)



A-31

Item	CODE	DESCRIPTION	Qty.	Item	CODE	DESCRIPTION	Qty.
00	819896	Filler unit EJ-250 (with 5-m hose)	1				
01	323766	Filler unit for 75 L/min	1				
02	107243	Hose 2" x 5000	1				
03	455006	Hose bracket	1				
04	626580	Clamp D51-64	1				
05	133751	Hose > 1/2" with fitting and wing nut 1.1/4"	1				
06	107664	Clamp D14-22 - stainless steel	2				
07	723718	Hose 1/2" x 5000	1				
08	731497	Hexagonal wing nut 1 1/4" BSP	1				
09	731521	O-ring OR1 - 124	1				
10	731539	Hose fitting 1/2"	1				

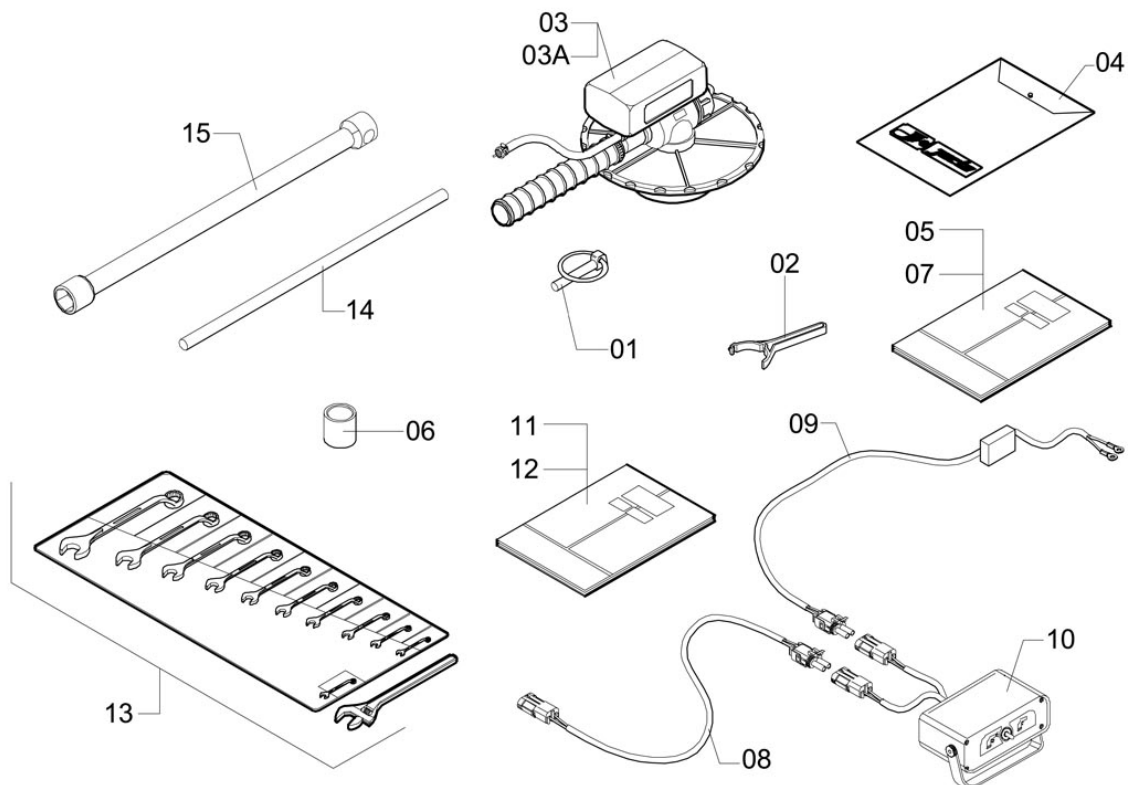
FILLER UNIT FOR 75 L/MIN (HOSE 10 M A 400/1000)



A-31

Item	CODE	DESCRIPTION	Qty.	Item	CODE	DESCRIPTION	Qty.
00	058452	Filler unit for 75 L/min (hose 10 M A 400/1000)	1				
01	323766	Filler unit for 75 L/min	1				
02	450130	Hose 2" x 10 (KE50)	1				
03	455006	Hose bracket	1				
04	626580	Clamp D51-64	1				
05	058445	Hose > 1/2" with fitting and nut 1.1/4"	1				
06	107664	Clamp D14-22 - stainless steel	2				
07	131250	Hose 12.7 (1/2") x 1000	1				
08	731497	Hexagonal wing nut 1 1/4" BSP	1				
09	731521	O-ring OR1 - 124	1				
10	731539	Hose fitting 1/2"	1				

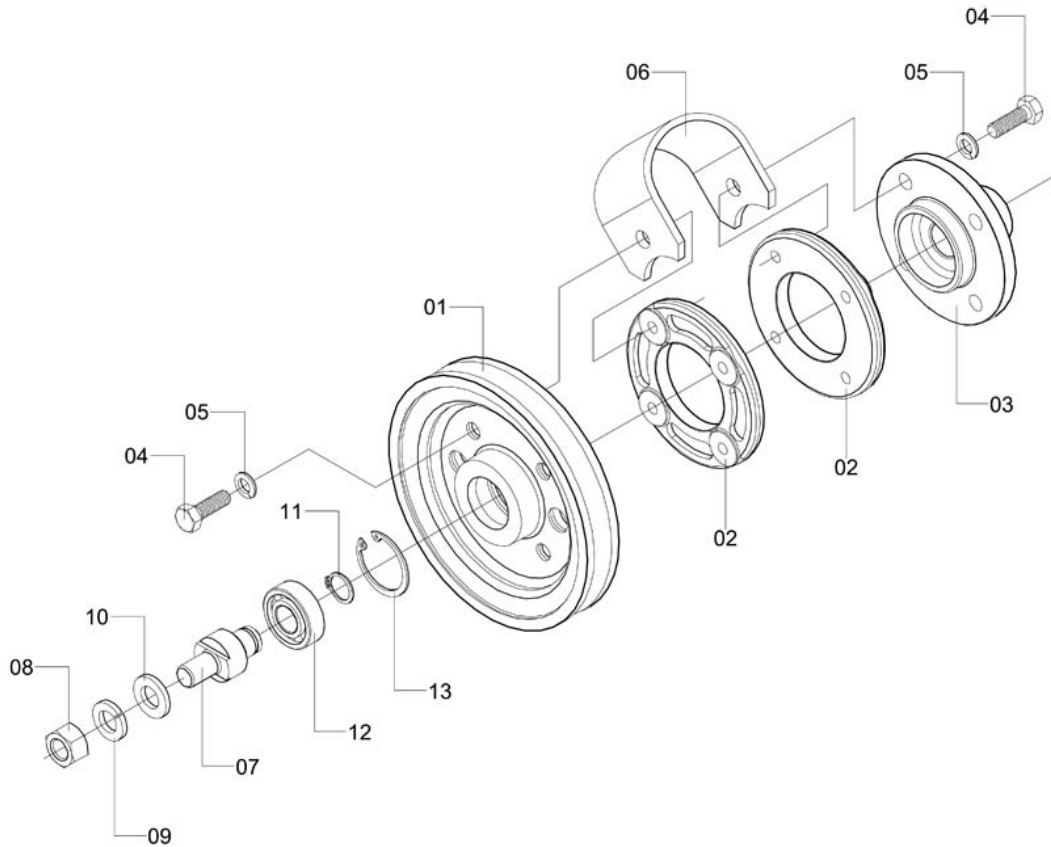
ACCESSORIES BOX



CXA-373

Item	CODE	DESCRIPTION	Qty.	Item	CODE	DESCRIPTION	Qty.
00	1158357	Accessories box	1				
01	330407	Universal lock pin 5/16"	2				
02	703694	Key 40-45	1				
03	819896	Filler unit EJ-250 (with 5-m hose) (includes: ref	1				
03A	058452	Filler unit for 75 L/min (hose 10 M A 400/1000)	1				
04	867127	Plastic folder	1				
05	907212	Operator's manual Chemical container rinse nozzle (USA)	1				
06	400325	Lower coupling pin sleeve	2				
07	136929	Instructions manual - Container rinse nozzle	1				
08	1160911	Connection cable - control	1				
09	982248	Feed cable	1				
10	1160913	On/Off switch assembly J-1000	1				
11	1160881	Operator's manual - J-1000 (USA)	1				
12	1160879	Operator's manual - J-1000 (Portugues)	1				
13	489211	Assembly - combination wrench + screw wrench (for export)	1				
14	830331	Handle - Wheel wrench > 9/16" x 320 mm	1				
15	239434	Kit - 19-mm wheel screw with cable 190	1				

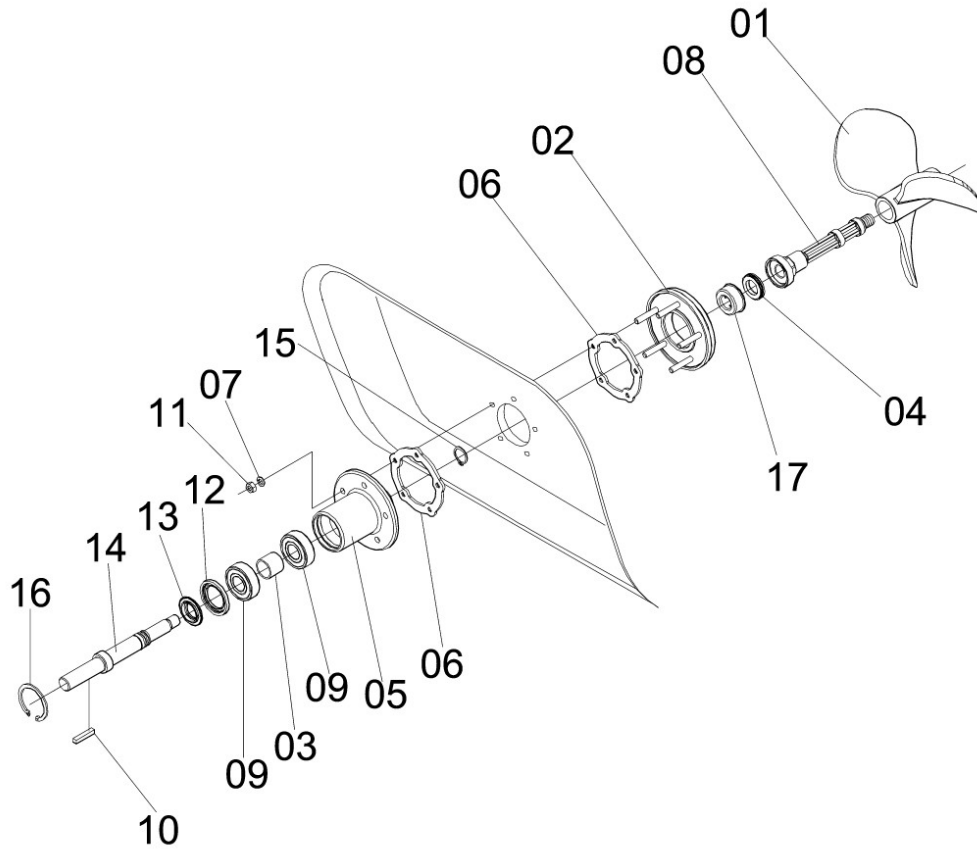
FLEXIBLE COUPLING 9



LE-12

Item	CODE	DESCRIPTION	Qty.	Item	CODE	DESCRIPTION	Qty.
00	727925	Flexible coupling 9	1				
01	727917	Pulley > 146-1A	1				
02	326462	Ring	2				
03	326470	Hub > 19	1				
04	836502	Screw 5/16" - 18 UNC x 1"	8				
05	519736	Lock washer M8	8				
06	326447	Flexible link 125	4				
07	817627	Tightening pulley shaft 15 x 50.5	1				
08	912790	Hex. nut 1/2" - 13 UNC	1				
09	908582	Lock washer 1/2"	1				
10	818112	Flat washer 130 x 240 x 30	1				
11	910851	Snap ring for shaft 15	1				
12	328781	Fixed bearing	1				
13	517557	Snap ring for hole	1				

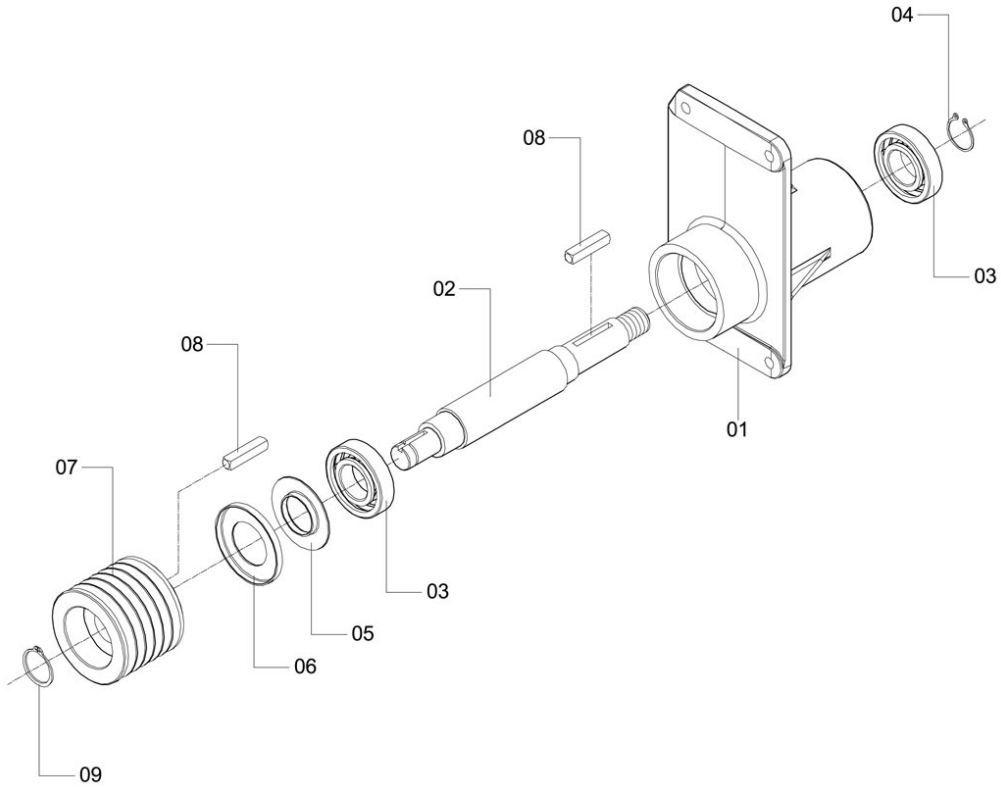
MECHANICAL AGITATOR 2005 - 02



MM-27

Item	CODE	DESCRIPTION	Qty.	Item	CODE	DESCRIPTION	Qty.
00	543348	Mechanical agitator 2005 - 02	1				
01	102848	Agitator propeller	1				
02	345272	Internal flange	1				
03	408666	Bearing spacer bushing	1				
04	418046	Ceramic ring	1				
05	513838	Agitator body	1				
06	514612	Agitator seal joint	2				
07	521666	Lock washer M6	5				
08	559849	Propeller shaft	1				
09	603522	Fixed bearing with 1 ball career	2				
10	419416	Square key 3/16" x 38	1				
11	730309	Hex. nut M6 x 1.00 - Steel	5				
12	838201	Bearing internal protection	1				
13	850750	Bearing external protection	1				
14	813261	Agitator shaft	1				
15	913517	Snap ring for shaft > 17	1				
16	916775	Snap ring for hole > 40	1				
17	932038	Mechanic seal - Viton 42012 - stainless steel	1				

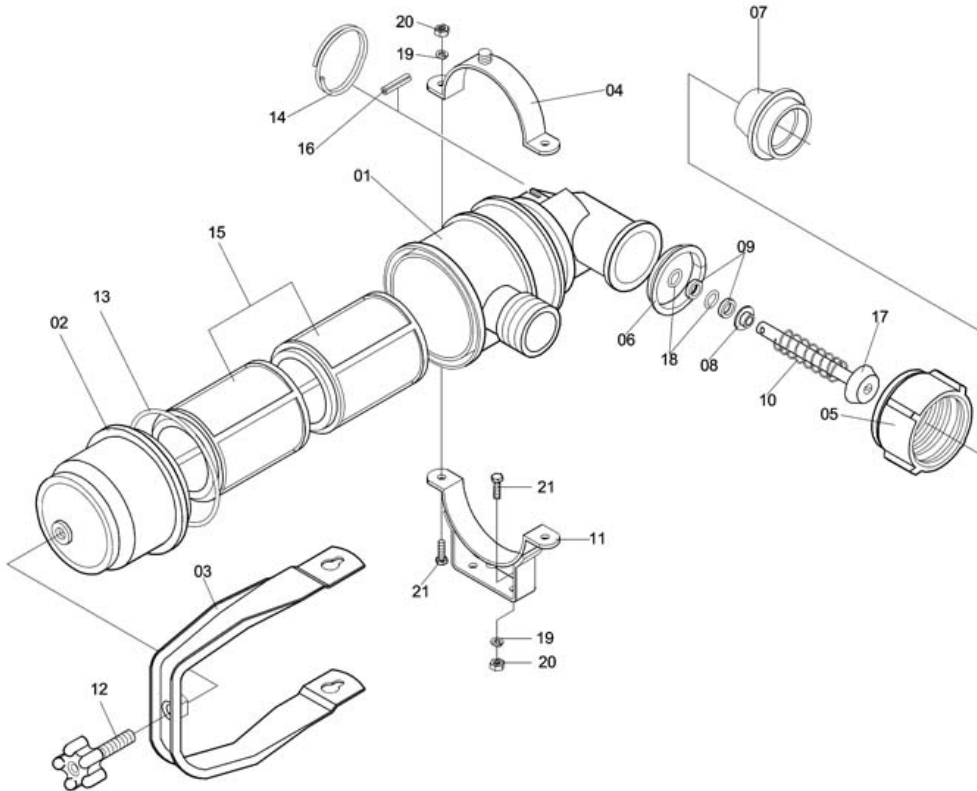
FAN ACTUATION ASSEMBLY



TMV-48

Item	CODE	DESCRIPTION	Qty.	Item	CODE	DESCRIPTION	Qty.
00	1164532	Fan actuation assembly	1				
01	820324	Pillow block body	1				
02	820365	Shaft 311	1				
03	328062	Bearing no. 6207 SKF	2				
04	429563	Snap ring for hole > 72	1				
05	328039	Internal protection	1				
06	328047	External protection	1				
07	070473	Conjugated pulley	1				
08	324624	Square key 7,94 (5/16") x 40	2				
09	910166	Snap ring for shaft	1				

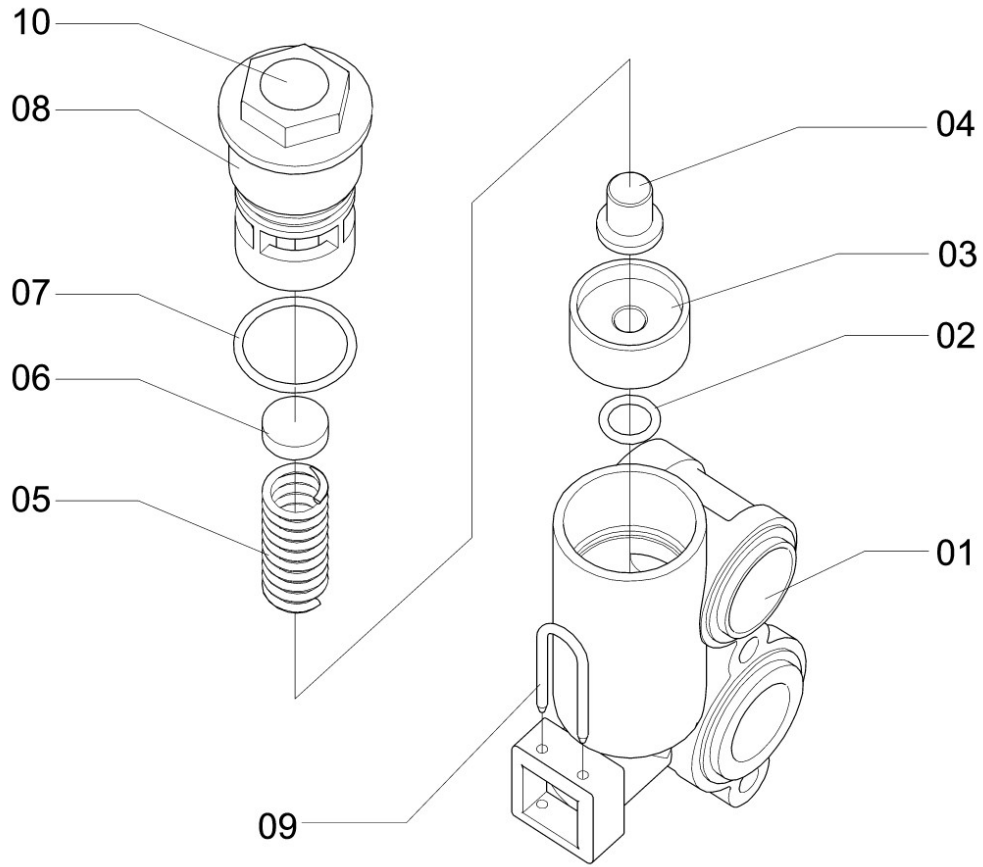
SUCTION FILTER WITH VALVE FOR 100 L/MIN - 30 MESH



F-38

Item	CODE	DESCRIPTION	Qty.	Item	CODE	DESCRIPTION	Qty.
00	425959	Suction filter with valve for 100 L/min - 30 mesh	1				
01	005785	Filter body	1				
02	005793	Filter cover	1				
03	005827	Filter handle	1				
04	005850	Half-strap	1				
05	005900	Coupling nut filter	1				
06	005918	Locking ring	1				
07	005934	Valve seat	1				
08	005967	Spring seat	1				
09	005975	Spacer washer	2				
10	006148	Compression spring	1				
11	010967	Half-strap with support	1				
12	011734	Bolt with knob	1				
13	012138	O-ring ORI - 241	1				
14	012146	Ring " 40	1				
15	425926	Double filtering element	1				
16	105288	Flexible pin > 4 x 20 (heavy)	1				
17	110817	Valve	1				
18	416669	O-ring OR1-110	2				
19	521666	Lock washer M6	4				
20	730309	Hex. nut M6 x 1.00 - Steel	4				
21	810697	Bolt M6 x 1 x 20	4				

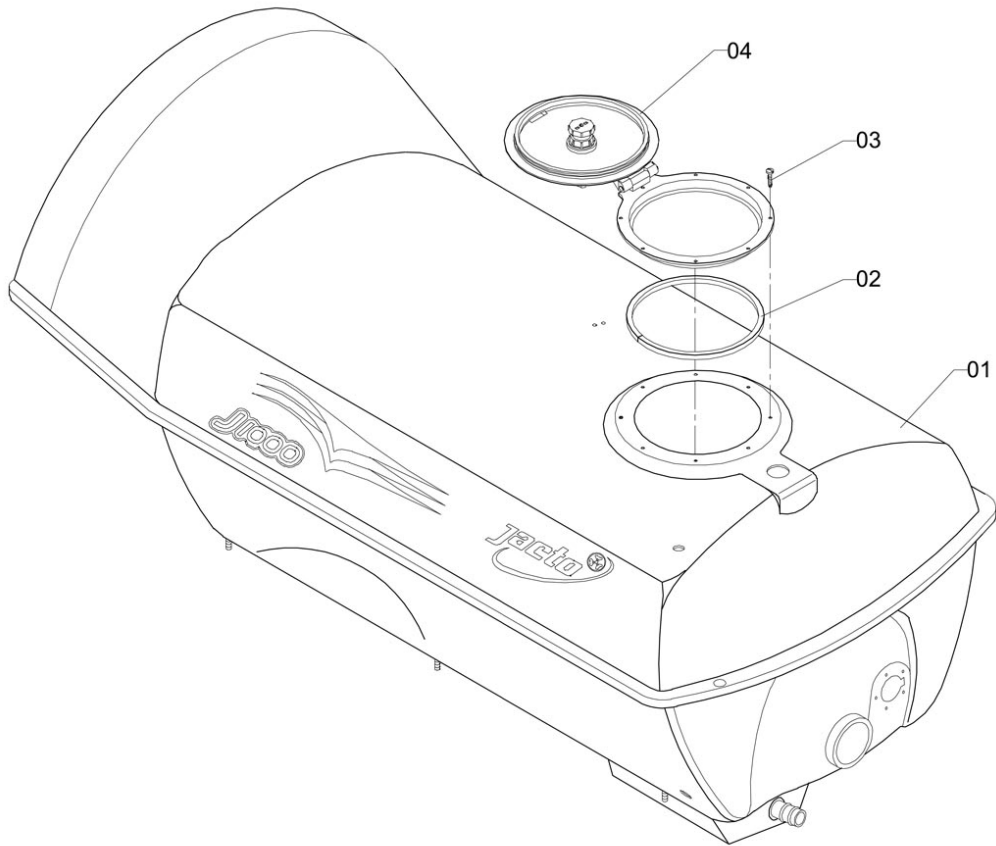
SAFETY VALVE



CV-250

Item	CODE	DESCRIPTION	Qty.	Item	CODE	DESCRIPTION	Qty.
00	195586	Safety valve	1				
01	079111	Safety valve body	1				
02	325290	O-ring OR1-112	1				
03	868364	Safety valve seat	1				
04	985127	Seal cell	1				
05	006148	Compression spring	1				
06	195594	Spring spacer	1				
07	928754	O-ring OR2-123	1				
08	866244	Safety valve cover	1				
09	868646	Pressure gauge U-shaped clamp	1				
10	246843	Decal "Maximum 80 psi"	1				

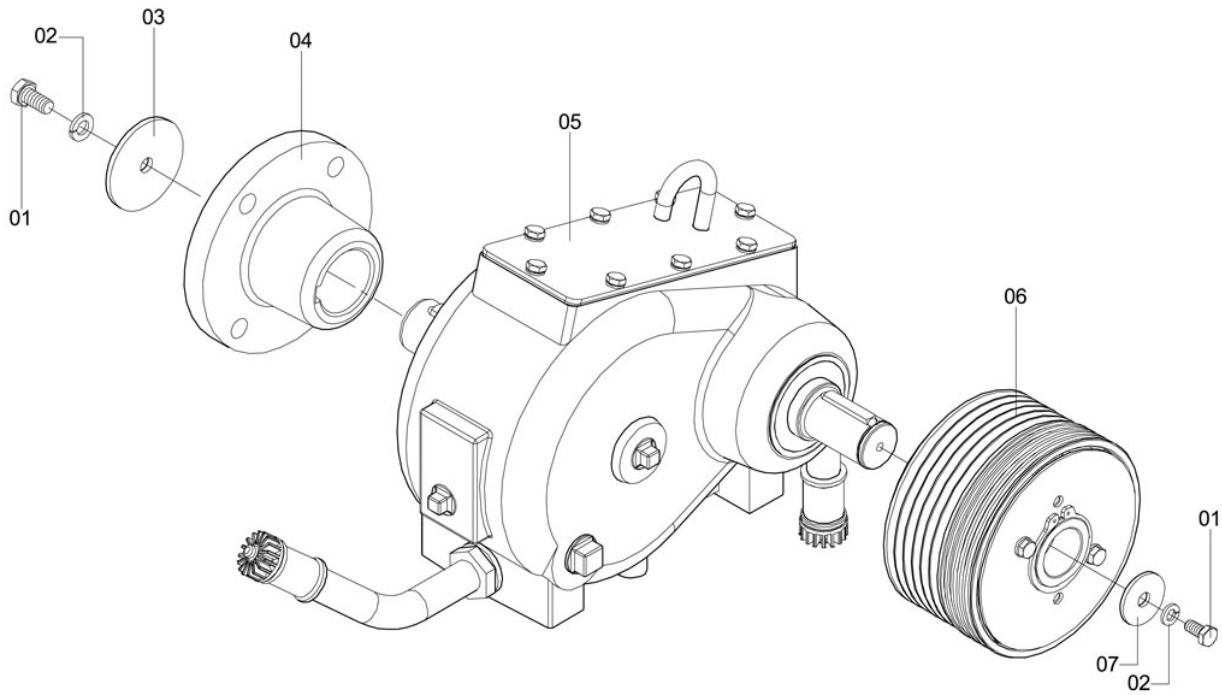
1000-LITER TANK



D-141

Item	CODE	DESCRIPTION	Qty.	Item	CODE	DESCRIPTION	Qty.
00	1160480	1000-liter tank	1				
01	1160412	1000-liter tank	1				
02	752931	Packing 5 x 15 x 1370	1				
03	062968	Self-tapping screw with slot	9				
04	752949	Italian lid	1				

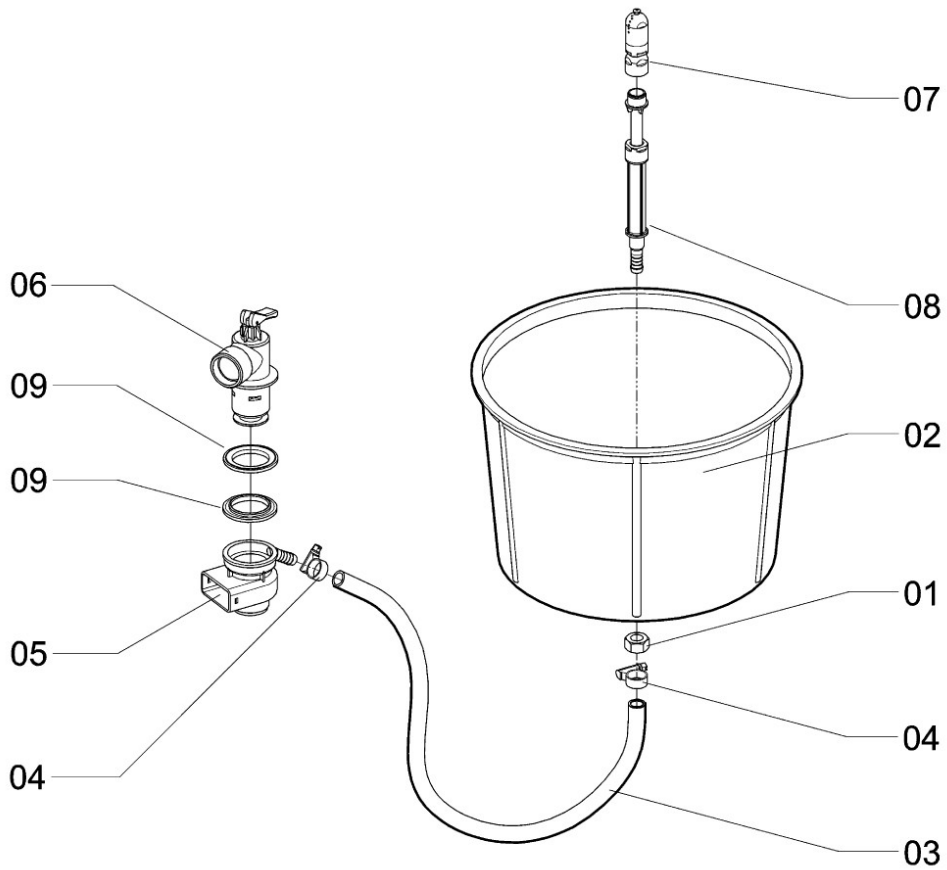
TRANSMISSION ASSEMBLY



TMT-159

Item	CODE	DESCRIPTION	Qty.	Item	CODE	DESCRIPTION	Qty.
00	1164552	Transmission assembly	1				
01	910794	Hex. bolt 5/16" - 24 UNF x 5/8"	2				
02	519736	Lock washer M8	2				
03	507665	Flat washer 82 x 506 x 30	1				
04	174003	Hub 117	1				
05	175299	Multiplier Jacto 6 (1:3)	1				
06	174011	Drive Pulley with Gear	1				
07	507855	Flat washer 103 x 375 x 30	1				

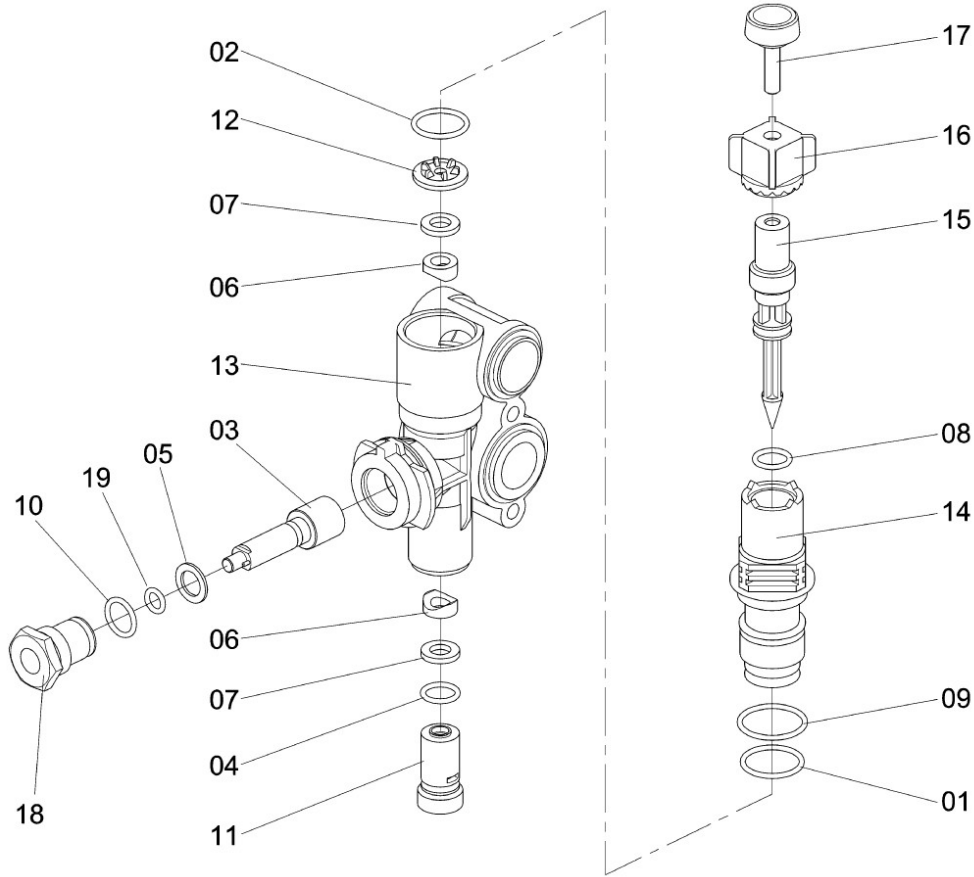
CHEMICAL CONTAINER RINSE NOZZLE KIT



KIT-24

Item	CODE	DESCRIPTION	Qty.	Item	CODE	DESCRIPTION	Qty.
00	134239	Chemical container rinse nozzle kit	1				
01	938498	Hex. nut M16 x 2.00	1				
02	134007	Strainer	1				
03	071886	Hose 12.7 (1/2") x 600	1				
04	107664	Clamp D14-22 - stainless steel	2				
05	054411	Valve fastener	1				
06	054395	Directional valve	1				
07	071944	Rinse nozzle	1				
08	088237	Chemical container rinse nozzle rod	1				
09	088245	Packing ring	2				

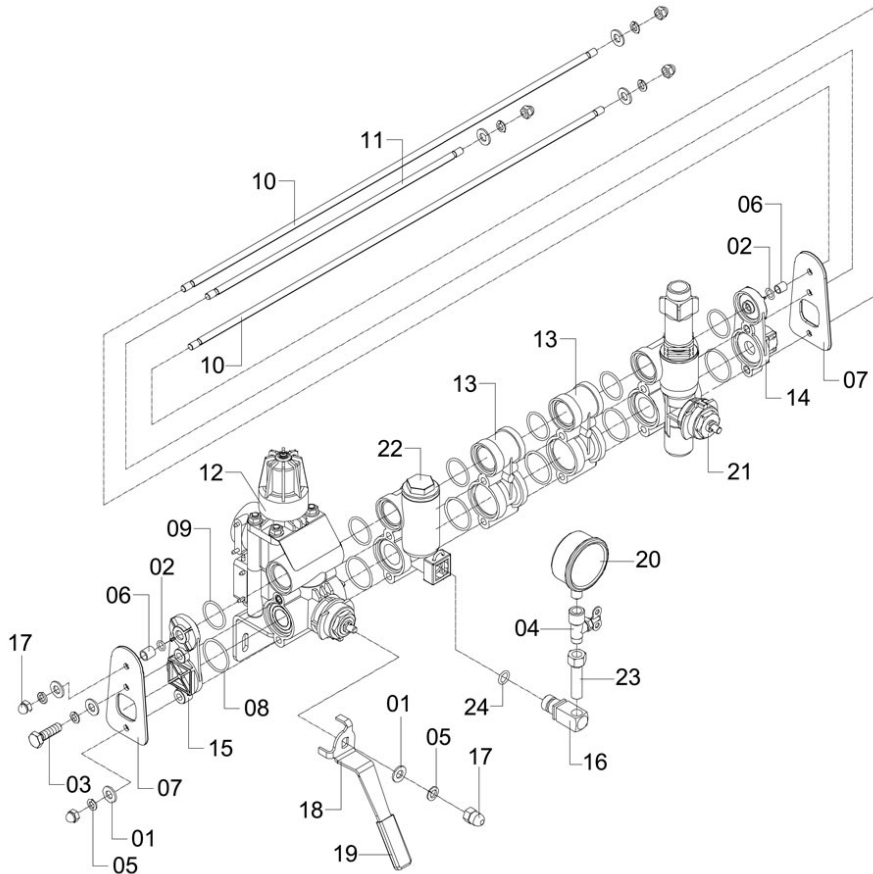
CONTROL BRANCH ASSEMBLY



CV-116

Item	CODE	DESCRIPTION	Qty.	Item	CODE	DESCRIPTION	Qty.
00	998161	Control branch assembly	1				
01	011668	O-ring OR1-122	1				
02	106955	O-ring OR1-120	1				
03	148155	Branch ball core with pin	1				
04	322057	O-ring ORI-114	1				
05	414748	O-ring > 22 x 1.5	1				
06	414763	Seal seat □ 18	2				
07	414771	O-ring > 20 x 11 x 3.0	2				
08	706796	O-ring OR1-114	1				
09	731521	O-ring OR1 - 124	1				
10	832857	O-ring OR1-115	1				
11	860064	Outlet nipple bushing	1				
12	860098	Cell	1				
13	180414	Branch body	1				
14	944876	Fastener	1				
15	944892	Needle assembly	1				
16	944900	Grip	1				
17	945998	Bolt M8 x 30 x 1.25	1				
18	946079	Core seat	1				
19	955617	O-ring OR2-110	1				

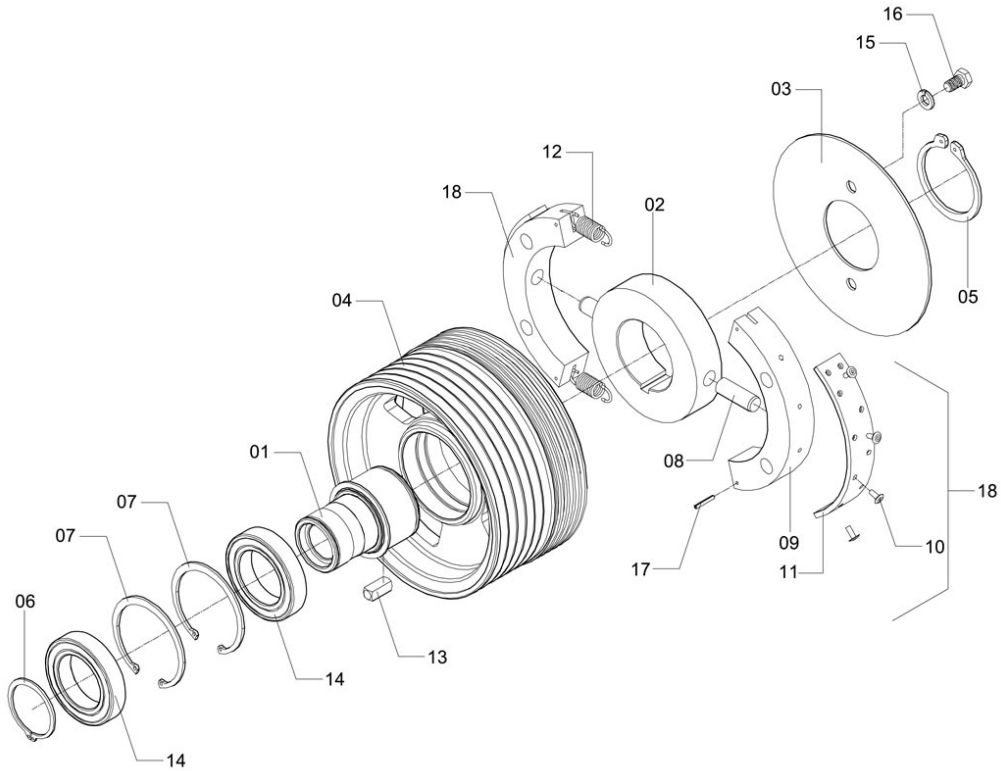
ELECTRIC CONTROL



CV-405

Item	CODE	DESCRIPTION	Qty.	Item	CODE	DESCRIPTION	Qty.
00	1164794	Electric control	1				
01	013433	Flat washer	7				
02	322040	O-ring ORI-011	2				
03	448233	Bolt M8 x 30 x 1,25	1				
04	507319	Needle valve for pressure gauge	1				
05	519736	Lock washer M8	7				
06	055764	Bushing	2				
07	057349	Support	2				
08	648170	O-ring OR1-128	6				
09	731521	O-ring OR1 - 124	6				
10	008028	Stud bolt M8 x 345 x 1,25	2				
11	139295	Stud bolt M 8 x 250 x 1,25	1				
12	1161388	Manual quick relief	1				
13	860114	Spacer	2				
14	866004	Right cover	1				
15	866012	Left cover	1				
16	868638	Pressure gauge support pin	1				
17	945832	Box nut M8 x 1,0	6				
18	945956	Lever 60ø - left	1				
19	945964	Lever handgrip	1				
20	009803	Pressure gauge with glycerin	1				
21	998161	Control branch assembly	1				
22	195586	Safety valve	1				
23	220699	Pressure gauge extension	1				
24	244459	O-ring OR1-113	1				

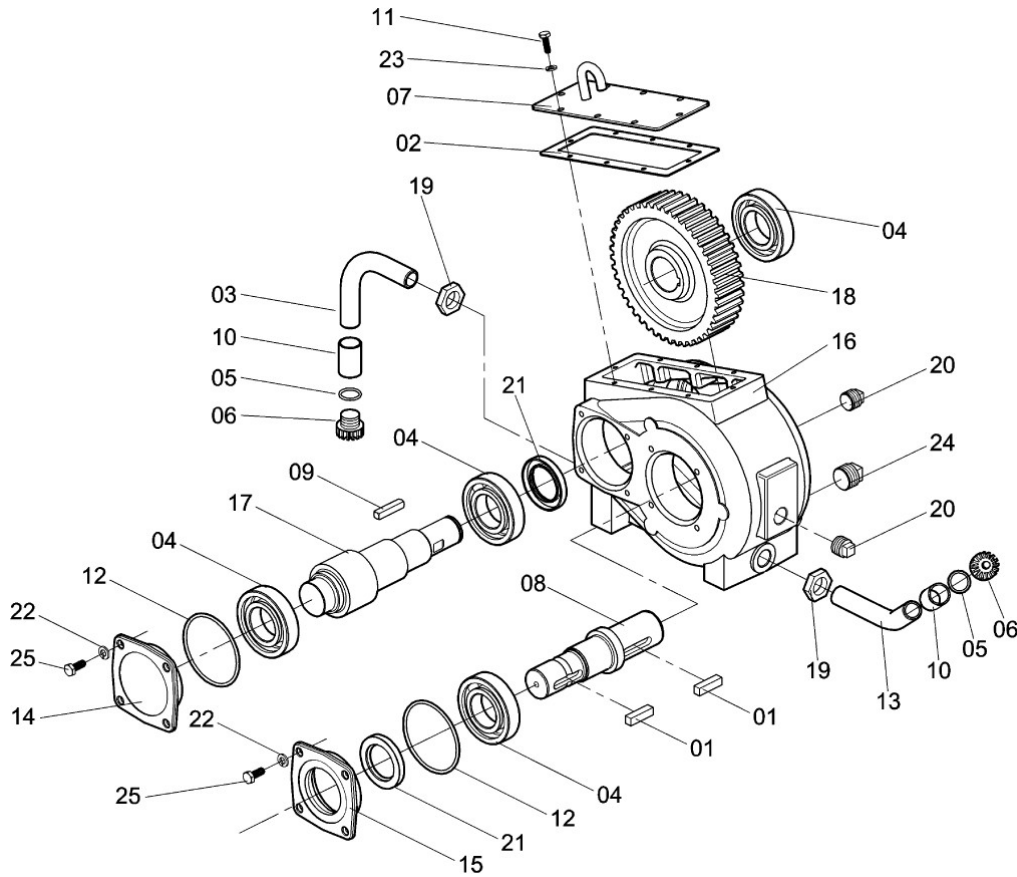
DRIVE PULLEY WITH GEAR



TMT-158

Item	CODE	DESCRIPTION	Qty.	Item	CODE	DESCRIPTION	Qty.
00	174011	Drive Pulley with Gear	1				
01	174029	Driven Shaft Bush	1				
02	174037	Hub (Hole 0 65)	1				
03	174045	Protection Disk	1				
04	174052	Pulley › 200-6-3V	1				
05	174078	Snap ring for shaft □ 65	1				
06	203729	Snap ring for shaft › 50	1				
07	324145	Snap ring for hole › 80	2				
08	435438	Pin 40	2				
09	435586	Centrifugal mass	2				
10	519769	Rivet Pop - › 4.0 x 10.2	8				
11	420323	Braking driver canvas	2				
12	728923	Traction spring › 15 x LO= 47	2				
13	814210	Square key 3/8" x 25	1				
14	839514	Fixed bearing	2				
15	908566	Lock washer › 3/8"	2				
16	910620	Bolt › 3/8" - 16 UNC x 5/8"	2				
17	917369	Flexible pin (heavy) 3 x 22	4				
18	435578	Centrifugal braking driver	2				

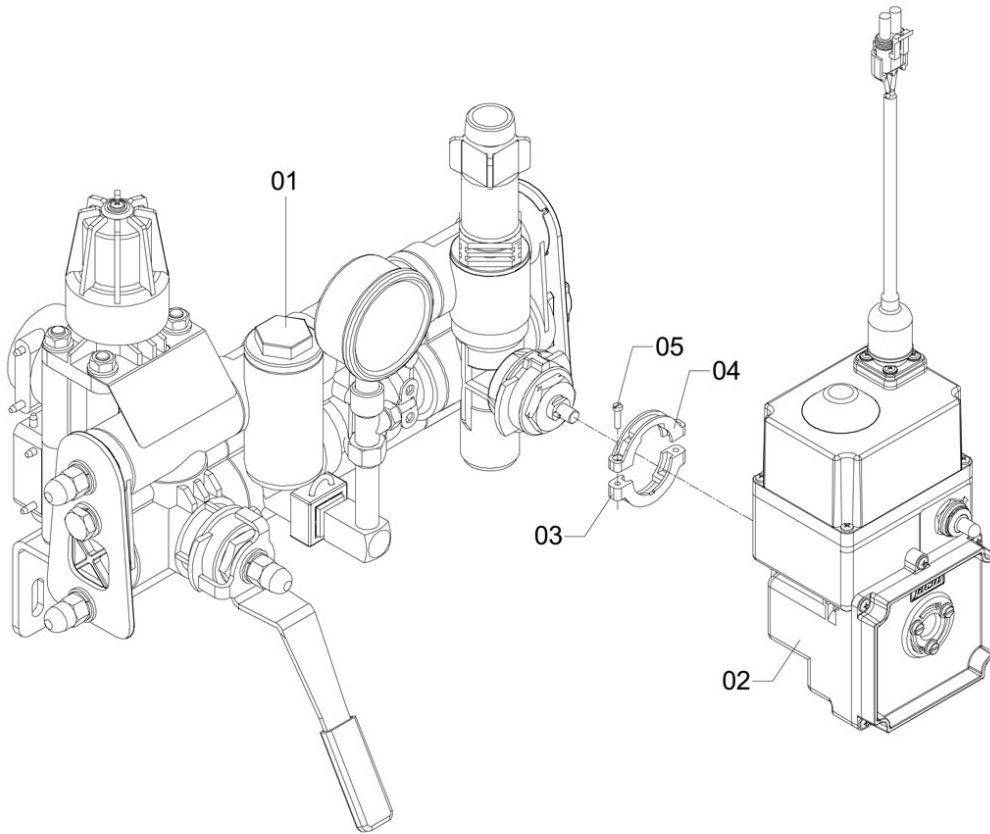
MULTIPLIER JACTO 6 (1:3)



CM-7

Item	CODE	DESCRIPTION	Qty.	Item	CODE	DESCRIPTION	Qty.
00	175299	Multiplier Jacto 6 (1:3)	1				
01	108936	Square key 3/8" x 35	2				
02	114439	Packing	1				
03	175307	Drain Duct	1				
04	203737	Fixed bearing	4				
05	210146	O-ring OR1-117	2				
06	213736	Plug 1/2" BSP	2				
07	213801	Cover	1				
08	324608	Drive shaft	1				
09	324624	Square key 5/16" x 4"	1				
10	430553	Sleeve 1/2" BSP	2				
11	441030	Bolt > 1/4" - 20 UNC x 5/8"	8				
12	516575	O-ring ORI-235	2				
13	516849	Filling tube	1				
14	627737	Cover	1				
15	627745	Multiplier cover with hole	1				
16	627778	Multiplier body	1				
17	627786	Multiplier driven shaft	1				
18	627794	Drive gear	1				
19	715722	Lock nut > 1/2" - 14 BSP	2				
20	812057	Plug > 1/2" BSP	2				
21	516567	Retainer 40 x 62 x 7	2				
22	519736	Lock washer M8	8				
23	910117	Lock washer > 1/4"	8				
24	910687	Plug > 3/4" BSP	1				
25	663153	Hex. bolt 5/16" - 18 UNC x 3/4"	8				

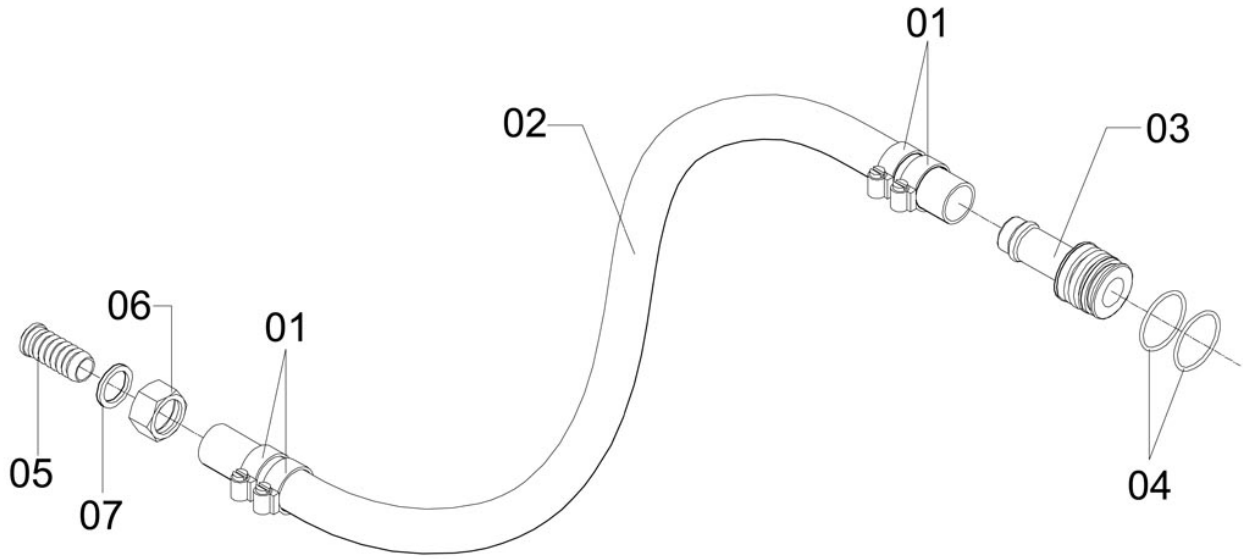
MASTERFLOW CONTROL 2000 - EL BP



CV-403

Item	CODE	DESCRIPTION	Qty.	Item	CODE	DESCRIPTION	Qty.
00	1164554	Masterflow control 2000 - EL BP	1				
01	1164794	Electric control	1				
02	582254	Quick relief reduction box and branches	1				
03	053561	Semi-clamp assembly	1				
04	865907	Semi-clamp	1				
05	444810	Screw M5 x 20 x 0.8	2				

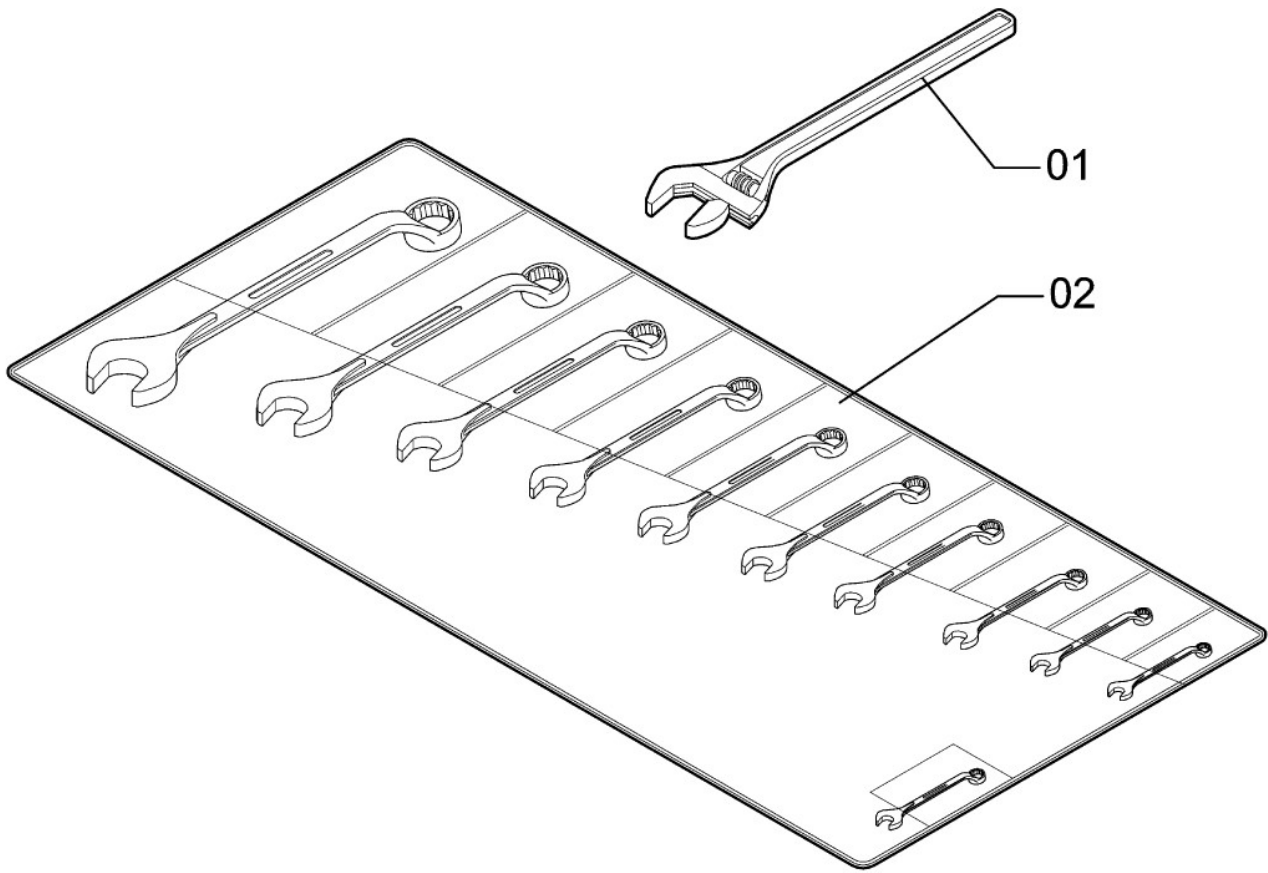
PRESSURE HOSE 1" - QUICK FITTING



CD-577

Item	CODE	DESCRIPTION	Qty.	Item	CODE	DESCRIPTION	Qty.
00	1164682	Pressure hose 1" - quick fitting	1				
01	330969	Clamp D25-38 - stainless steel	4				
02	052216	Pressure hose 1" BSP x 290	1				
03	868802	Intake fitting	1				
04	618355	O-ring OR2-220	2				
05	229930	Hose fitting □ 1"	1				
06	906222	Hose fitting nut 1"	1				
07	402412	Lock washer › 31 x 22.5 x 22.5/3.0	1				

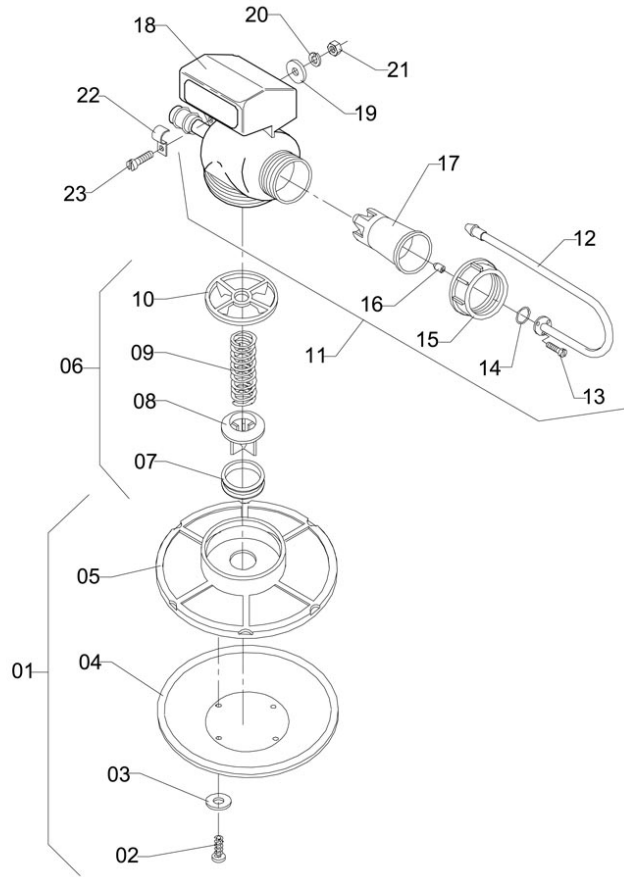
ASSEMBLY - COMBINATION WRENCH + SCREW WRENCH (FOR EXPORT)



CXA-140

Item	CODE	DESCRIPTION	Qty.	Item	CODE	DESCRIPTION	Qty.
00	489211	Assembly - combination wrench + screw wrench (for export)	1				
01	489260	Screw wrench 18" (for export)	1				
02	489229	Combined wrench kit "ROBUST" (for export)	1				

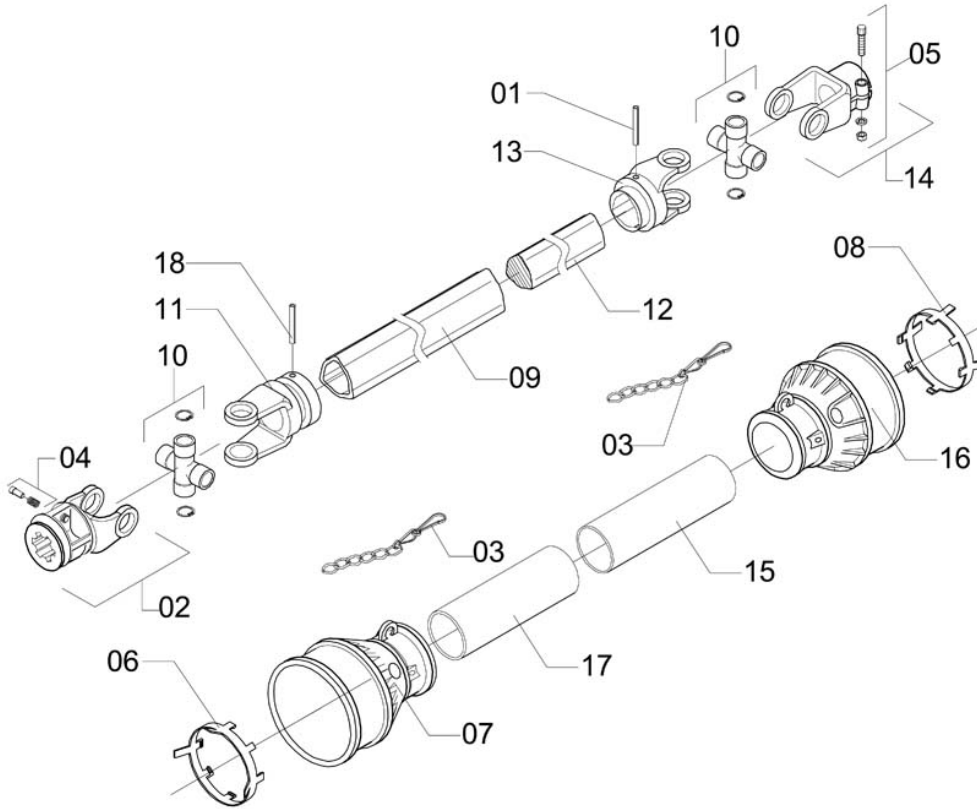
FILLER UNIT FOR 75 L/MIN



A-32

Item	CODE	DESCRIPTION	Qty.	Item	CODE	DESCRIPTION	Qty.
00	323766	Filler unit for 75 L/min	1				
01	111542	Filtering element with hub and screw	1				
02	323998	Screw > 4.2 x 16	4				
03	501692	Flat washer 52 x 120 x 12	4				
04	612788	Filler unit hub	1				
05	107169	Filtering element support	1				
06	114967	Filler unit repair kit	1				
07	612705	Valve packing	1				
08	612739	Filler unit valve PPH-KM 6100/PO	1				
09	612861	Compensating spring 19.5 1.02 161.32 68l	1				
10	612721	Spring seat	1				
11	323774	Filler unit body	1				
12	107185	Injection nozzle	1				
13	913392	Self-tapping screw	3				
14	417709	O-ring OR1 -012	1				
15	809848	Bored cap	1				
16	322537	Dosage bushing	1				
17	107151	Injection venturi	1				
18	327155	Filler body	1				
19	358267	Flat washer 64 x 125 x 16	1				
20	910117	Lock washer > 1/4"	1				
21	912741	Nut > 1/4" - 20 UNC	1				
22	107201	Clamp 13	1				
23	912642	Screw > 1/4" UNC x 5/8"	1				
	052233	Sticker: "JP-75"	1				

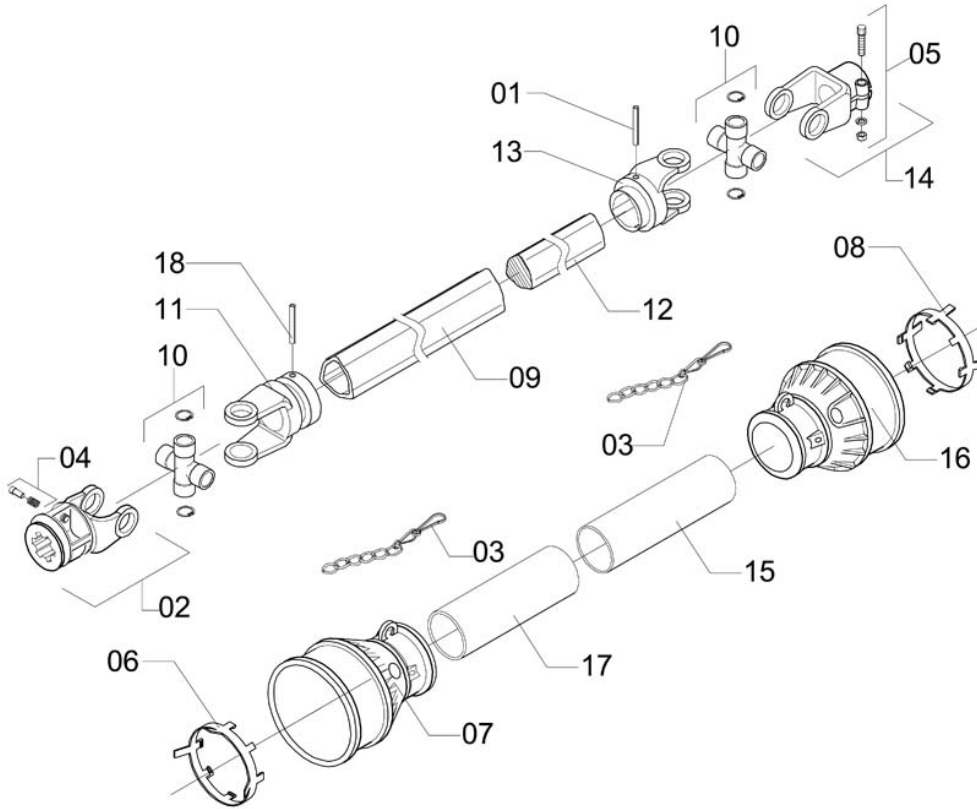
CONVENTIONAL PTO SHAFT 810 - 104 - Z= 6 X › 35



CN-30

Item	CODE	DESCRIPTION	Qty.	Item	CODE	DESCRIPTION	Qty.
00	733717	Conventional PTO shaft 810 - 104 - Z= 6 x › 35	1				
01	207449	Flexible pin › 8 x 55	1				
02	303594	Coupling end with lock - tractor end (1.3/8"Z=6)	1				
03	457127	Chain	2				
04	457176	Lock with spring	1				
05	457192	Bolt and nut	1				
06	572289	Shield lock	1				
07	572297	Cross shield (PTO end)	1				
08	572339	Shield lock	1				
09	626424	Female tube 670	1				
10	724575	Cross assembly	2				
11	724583	Inner coupling end (tractor end)	1				
12	626432	Male tube 670	1				
13	724625	Inner coupling end -(sprayer end)	1				
14	724641	Outer coupling end (sprayer end)	1				
15	626457	Guard - male tube 617	1				
16	724682	Cross shield (sprayer end)	1				
17	626440	Guard - female tube 617	1				
18	910224	Flexible pin › 8 x 60	1				

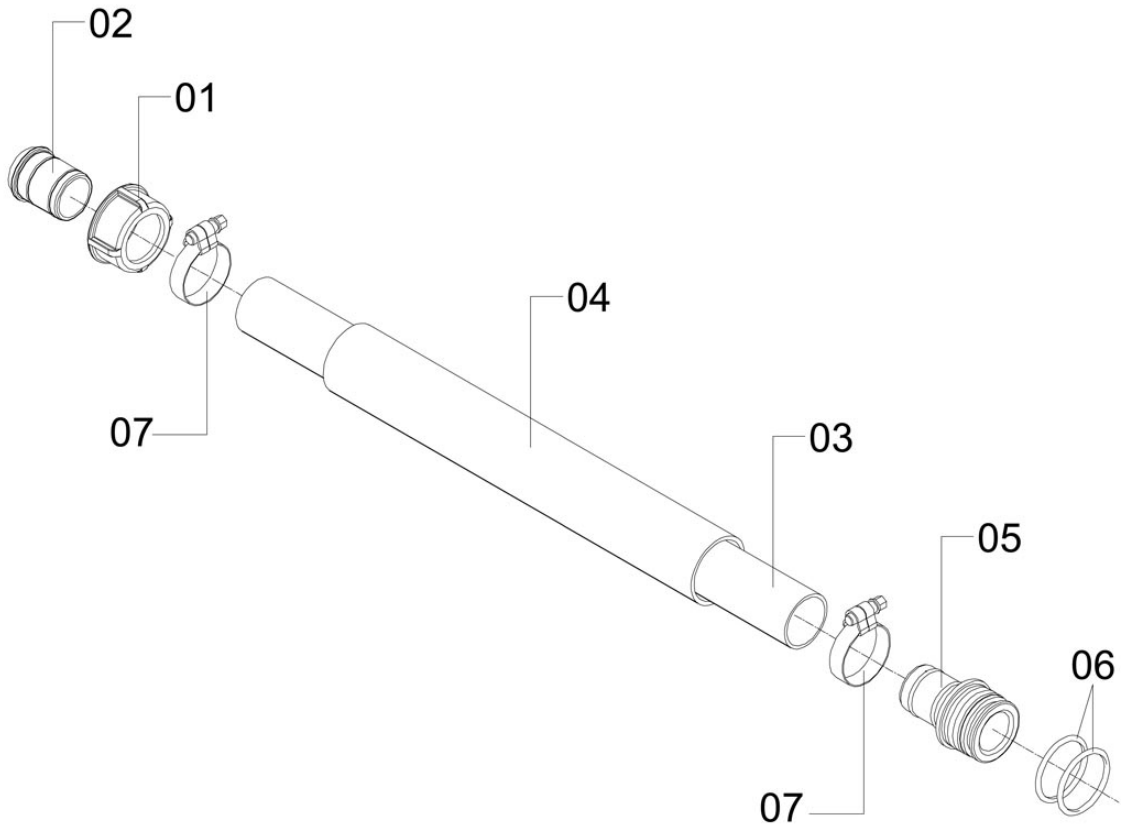
CONVENTIONAL PTO SHAFT 810 - 104 - Z= 8 X › 35



CN-30

Item	CODE	DESCRIPTION	Qty.	Item	CODE	DESCRIPTION	Qty.
00	045384	Conventional PTO shaft 810 - 104 - Z= 8 x › 35	1				
01	207449	Flexible pin › 8 x 55	1				
02	959766	Coupling end with lock - tractor end (1.3/8"Z=8)	1				
03	457127	Chain	2				
04	457176	Lock with spring	1				
05	457192	Bolt and nut	1				
06	572289	Shield lock	1				
07	572297	Cross shield (PTO end)	1				
08	572339	Shield lock	1				
09	626424	Female tube 670	1				
10	724575	Cross assembly	2				
11	724583	Inner coupling end (tractor end)	1				
12	626432	Male tube 670	1				
13	724625	Inner coupling end -(sprayer end)	1				
14	724641	Outer coupling end (sprayer end)	1				
15	626457	Guard - male tube 617	1				
16	724682	Cross shield (sprayer end)	1				
17	626440	Guard - female tube 617	1				
18	910224	Flexible pin › 8 x 60	1				

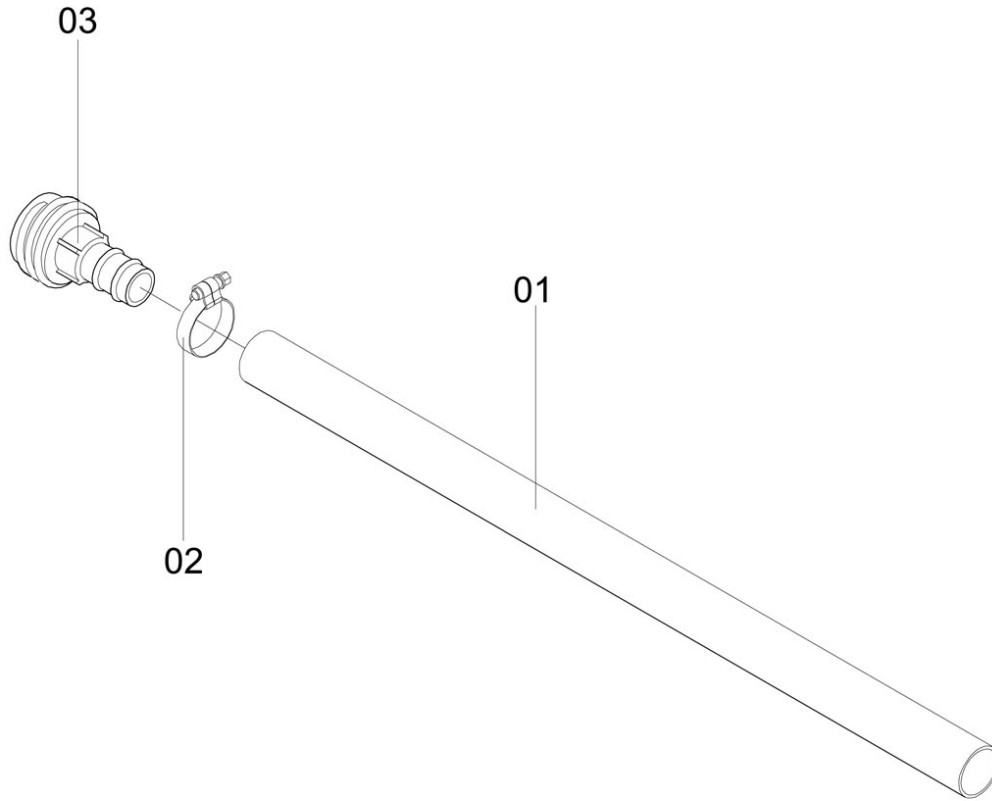
RETURN HOSE



CD-576

Item	CODE	DESCRIPTION	Qty.	Item	CODE	DESCRIPTION	Qty.
00	1164670	Return hose	1				
01	005884	Nut 1.1/4" BSP	1				
02	731513	Hose fitting 31,8 (1.1/4") x 33	1				
03	092528	Blue hose AR - 38 (1.1/2") x 300	1				
04	162156	Hose 1.1/4 x 1000	1				
05	867101	Fitting with clip	1				
06	618355	O-ring OR2-220	2				
07	330969	Clamp D25-38 - stainless steel	2				

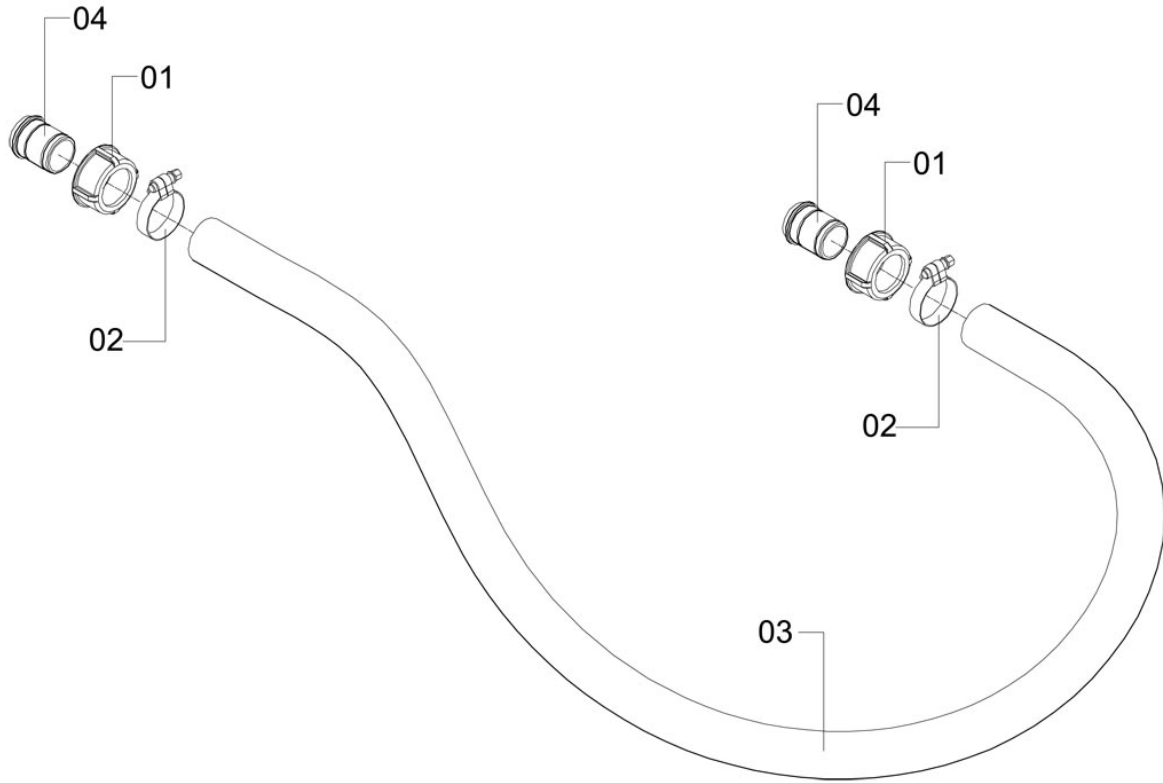
HOSE - TANK/FILTER



CD-575

Item	CODE	DESCRIPTION	Qty.	Item	CODE	DESCRIPTION	Qty.
00	1164674	Hose - Tank/Filter	1				
01	938357	Hose 1.1/4" x 400	1				
02	330969	Clamp D25-38 - stainless steel	1				
03	005926	Plastic extension 1.1/4"	1				

HOSE - FILTER/PUMP



CD-574

Item	CODE	DESCRIPTION	Qty.	Item	CODE	DESCRIPTION	Qty.
00	1164675	Hose - Filter/Pump	1				
01	005884	Nut 1.1/4" BSP	2				
02	330969	Clamp D25-38 - stainless steel	2				
03	614461	Hose □31,5 (1.1/4") x 330 - KM 32	1				
04	731513	Hose fitting □ 31,8 (1.1/4") x □ 33	2				