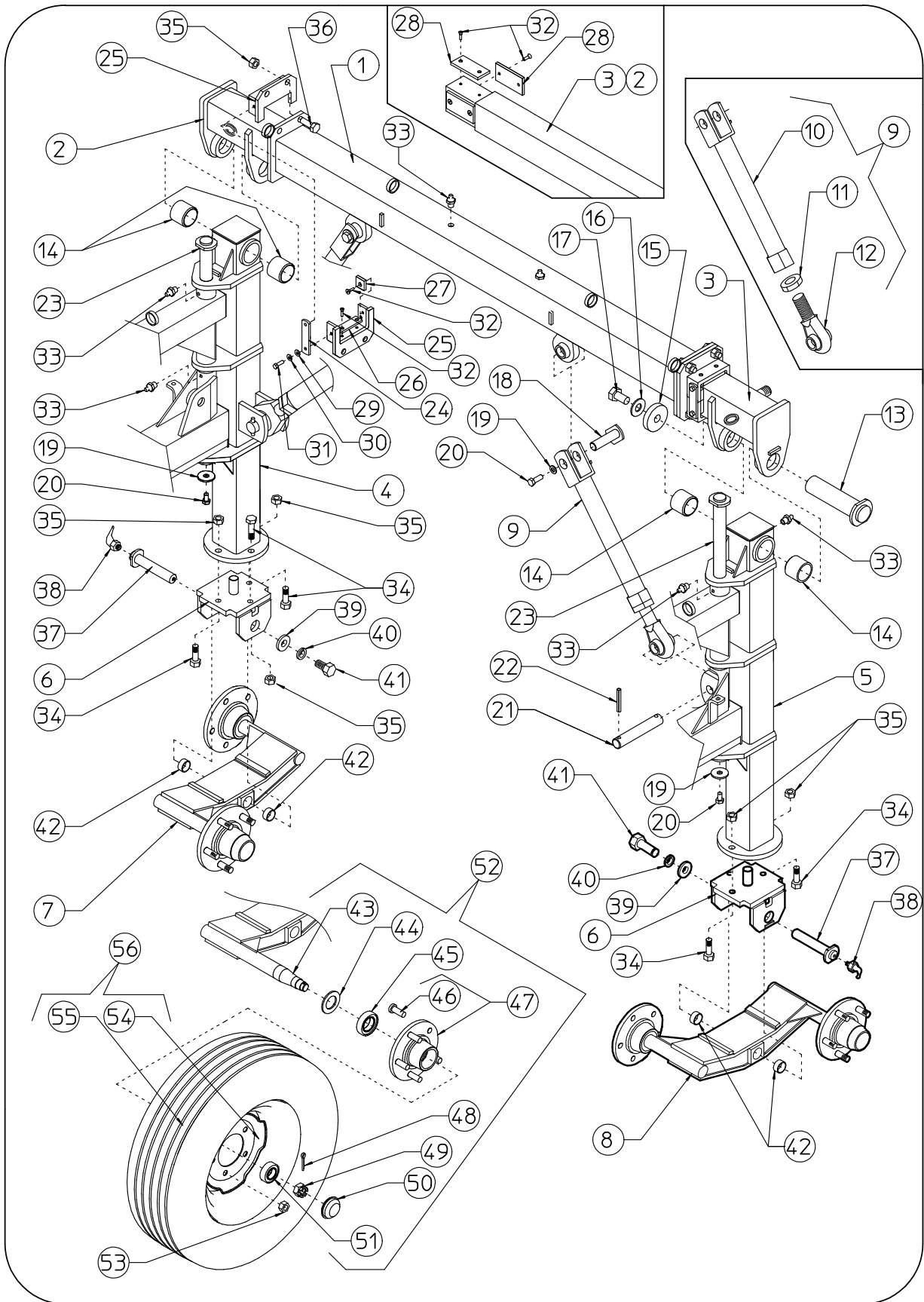


AGRICULTURAL MACHINERY
sitrex®

SPARE PARTS LIST

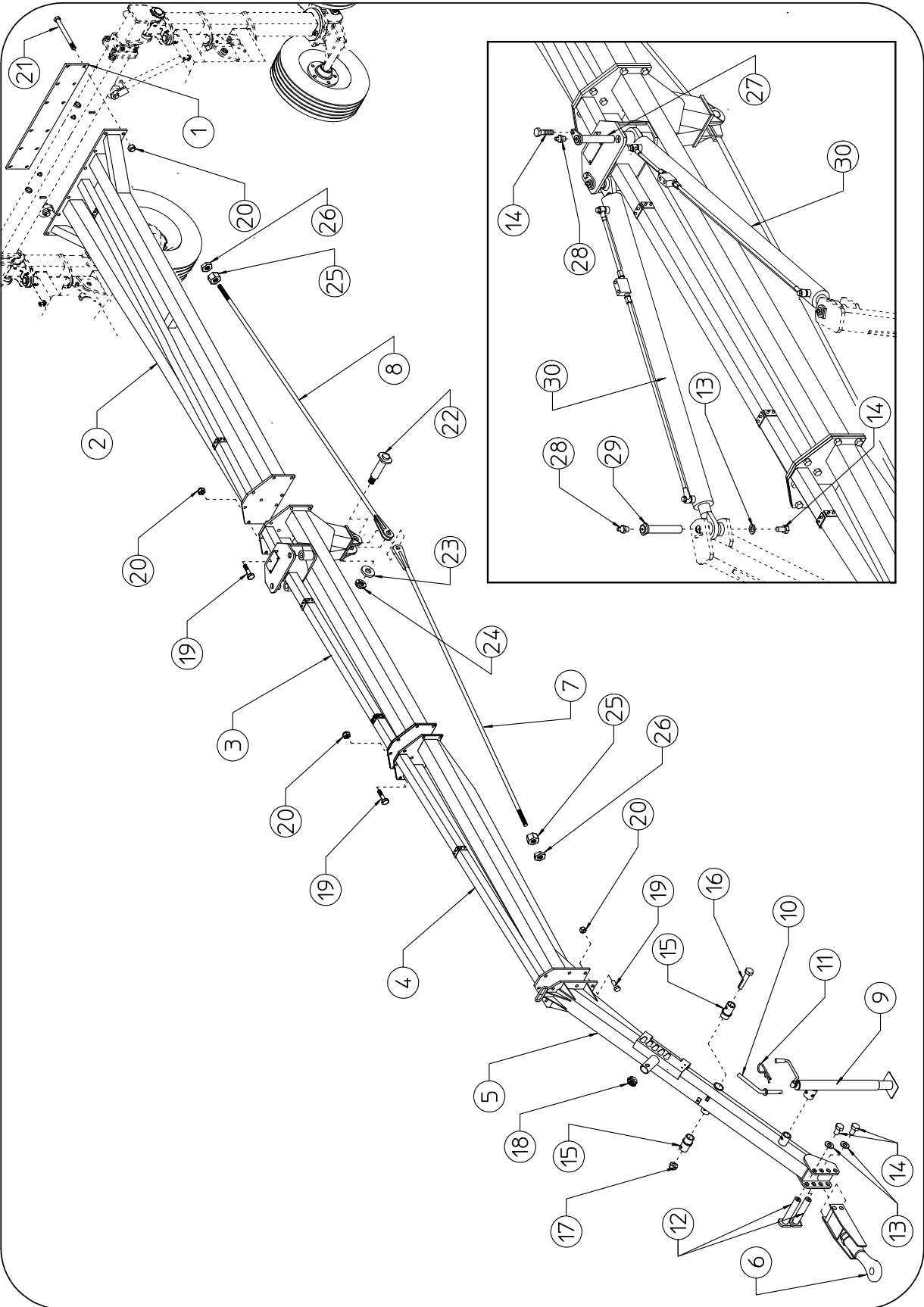
HD / 14 - HD / 16

TABLE NO. 920.170 REAR PART



| TABLE NO 920.170 REAR PART | | | | | |
|----------------------------|--------------|--------------|---------|------------------------------|------|
| ITEM | Q.ty HD14 | Q.ty HD16 | PART NO | DESCRIPTION | NOTE |
| 1 | 1 | 1 | 220.478 | OUTER CROSSPIECE | |
| 2 | 1 | 1 | 220.479 | RH INNER CROSSPIECE | |
| 3 | 1 | 1 | 220.480 | LH INNER CROSSPIECE | |
| 4 | 1 | 1 | 220.185 | REAR WHEEL SUPPORT,RH | |
| 5 | 1 | 1 | 220.186 | REAR WHEEL SUPPORT,LH | |
| 6 | 2 | 2 | 220.520 | SUPPORT | |
| 7 | 1 | 1 | 220.521 | TANDEM SUPPORT, RH | |
| 8 | 1 | 1 | 220.522 | TANDEM SUPPORT, LH | |
| 9 | 2 | 2 | 220.484 | TIE ROD, COMPLETE | |
| 10 | 2 | 2 | 220.486 | TIE ROD PIPE | |
| 11 | 2 | 2 | 610.813 | NUT M30 DIN 936 | |
| 12 | 2 | 2 | 220.223 | TIE ROD HEAD | |
| 13 | 2 | 2 | 210.100 | PIN | |
| 14 | 4 | 4 | 200.199 | BUSH | |
| 15 | 2 | 2 | 200.822 | WASHER | |
| 16 | 2 | 2 | 600.214 | SPRING WASHER D 23 DIN 127B | |
| 17 | 2 | 2 | 600.150 | SCREW M22x50 DIN 933 8.8 | |
| 18 | 2 | 2 | 220.209 | PIN | |
| 19 | 4 | 4 | 500.160 | WASHER | |
| 20 | 4 | 4 | 600.770 | SCREW M12x20 DIN 933 8.8 | |
| 21 | 2 | 2 | 220.191 | PIN | |
| 22 | 4 | 4 | 600.027 | SPRING PIN D 8 X 50 DIN 1481 | |
| 23 | 2 | 2 | 210.247 | PIN | |
| 24 | 4 | 4 | 220.043 | LINKING PLATE | |
| 25 | 4 | 4 | 220.042 | SLIDING SUPPORT | |
| 26 | 4 | 4 | 210.911 | SLIDING | |
| 27 | 8 | 8 | 210.912 | SLIDING | |
| 28 | 8 | 8 | 210.858 | SLIDING | |
| 29 | 8 | 8 | 600.322 | WASHER ø10,5 | |
| 30 | 8 | 8 | 600.024 | SPRING WASHER D 10.5 | |
| 31 | 8 | 8 | 600.006 | SCREW M10 X 25 DIN 933 8.8 | |
| 32 | 32 | 32 | 610.663 | SCREW M8x16 DIN 5933 | |
| 33 | 8 | 8 | 600.034 | GREASE NIPPLE M8 | |
| 34 | 6 | 6 | 600.384 | SCREW M16x50 DIN 933 8.8 | |
| 35 | 14 | 14 | 600.080 | NUT M16 DIN 980 | |
| 36 | 8 | 8 | 610.167 | SCREW M16x45 DIN 933 8.8 | |
| 37 | 2 | 2 | 220.330 | PIN | |
| 38 | 2 | 2 | 610.808 | GREASE NIPPLE M8x90° | |
| 39 | 2 | 2 | 220.469 | WASHER | |
| 40 | 2 | 2 | 600.259 | GROWER ø21 | |
| 41 | 2 | 2 | 610.931 | SCREW M20x1,5x20 DIN 961 8.8 | |
| 42 | 4 | 4 | 610.806 | BUSH | |
| 43 | 4 | 4 | 225.154 | PIN | |
| 44 | 4 | 4 | 600.284 | DUST COVER | |
| 45 | 4 | 4 | 600.285 | BEARING 30208 | |
| 46 | 20 | 20 | 610.413 | SPECIAL SCREW M16x1,5x50 | |
| 47 | 4 | 4 | 600.286 | HUB WITH SCREW | |
| 48 | 4 | 4 | 600.291 | SPLIT PIN | |
| 49 | 4 | 4 | 600.288 | CASTLE NUT M27x1,5 | |
| 50 | 4 | 4 | 600.290 | CAP | |
| 51 | 4 | 4 | 600.287 | BEARING 30206 | |
| 52 | 4 | 4 | 225.155 | HUB ASSY | |
| 53 | 20 | 20 | 600.289 | NUT M16x1,5 | |
| 54 | 4 | 4 | 600.304 | RIM | |
| 55 | 4 | 4 | 600.303 | TIRE | |
| 56 | 4 | 4 | 600.281 | WHEEL ASSY | |

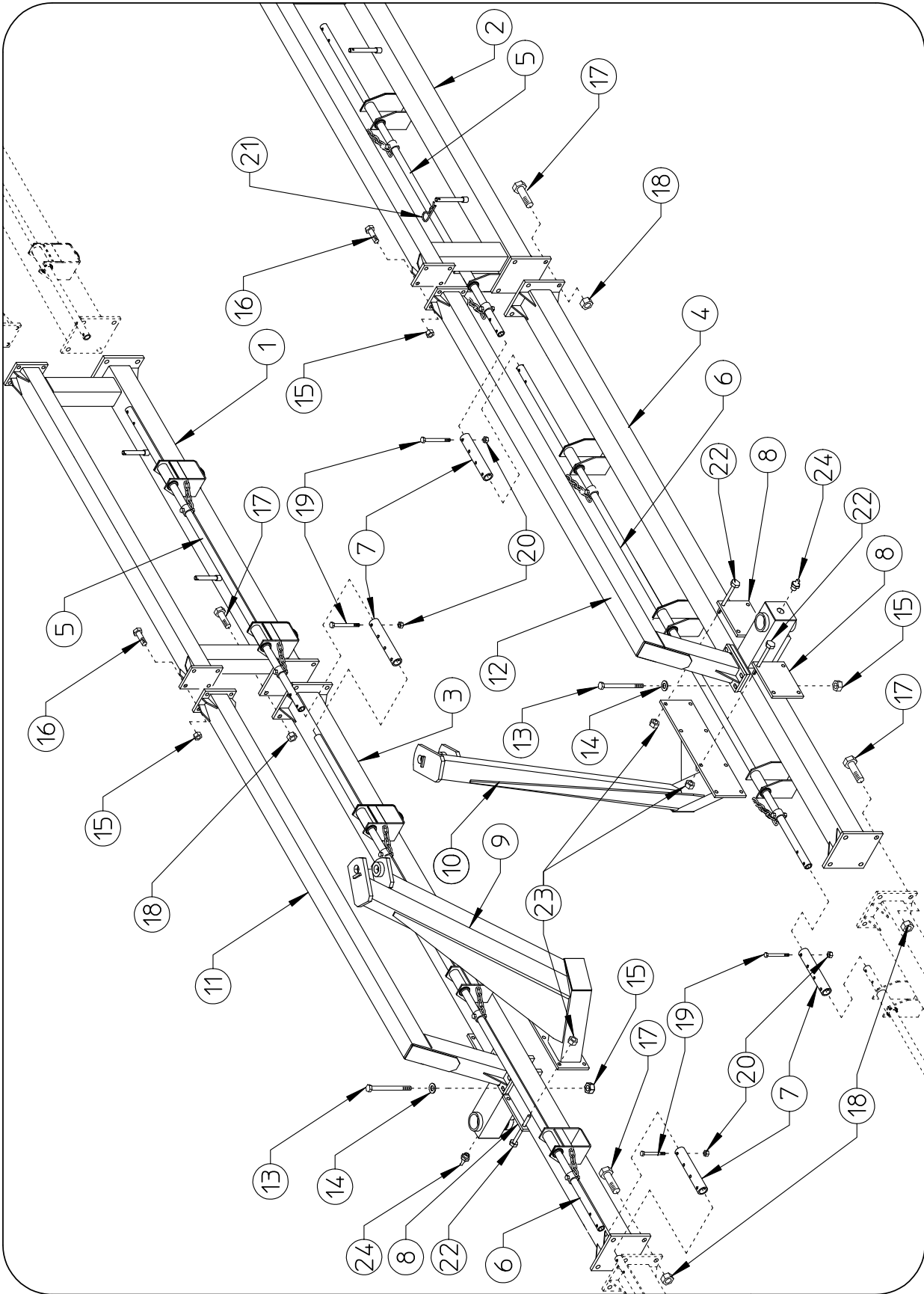
TABLE NO. 920.171 DRAWBAR



| TABLE NO. 920.171 DRAWBAR | | | | | |
|---------------------------|--------------|--------------|---------|---------------------------|------|
| ITEM | Q.ty HD14 | Q.ty HD16 | PART NO | DESCRIPTION | NOTE |
| 1 | 1 | 1 | 220.265 | COUNTER PLATE | |
| 2 | 1 | 1 | 220.266 | REAR DRAWBAR | |
| 3 | 1 | 1 | 220.267 | DRAWBAR | |
| 4 | 1 | 1 | 220.268 | DRAWBAR | |
| 5 | 1 | 1 | 210.243 | FRONT DRAWBAR | |
| 6 | 1 | 1 | 220.471 | TRACTOR HITCH | |
| 7 | 1 | 1 | 220.487 | FRONT TIE ROD | |
| 8 | 1 | 1 | 220.488 | REAR TIE ROD | |
| 9 | 1 | 1 | 220.166 | PARKING STAND | |
| 10 | 1 | 1 | 200.222 | PIN | |
| 11 | 1 | 1 | 600.019 | SPLIT PIN | |
| 12 | 2 | 2 | 200.828 | PIN | |
| 13 | 4 | 4 | 500.160 | WASHER | |
| 14 | 6 | 6 | 600.770 | SCREW M12x20 DIN 933 8.8 | |
| 15 | 2 | 2 | 200.818 | BUSH | |
| 16 | 1 | 1 | 600.618 | SCREW M12x60 DIN 931 8.8 | |
| 17 | 1 | 1 | 600.077 | NUT M12 DIN 980 | |
| 18 | 1 | 1 | 610.790 | PLUG | |
| 19 | 24 | 24 | 610.167 | SCREW M16x45 DIN 933 8.8 | |
| 20 | 36 | 36 | 600.080 | NUT M16 DIN 980 | |
| 21 | 12 | 12 | 610.839 | SCREW M16x165 | |
| 22 | 1 | 1 | 220.277 | PIN | |
| 23 | 1 | 1 | 220.208 | WASHER | |
| 24 | 1 | 1 | 610.593 | LOCK-NUT M30x1,5 | |
| 25 | 2 | 2 | 610.932 | NUT M33 DIN 934 | |
| 26 | 2 | 2 | 610.933 | NUT M33 DIN 936 | |
| 27 | 2 | 2 | 210.134 | PIN | |
| 28 | 4 | 4 | 600.034 | GREASE NIPPLE M8 | |
| 29 | 2 | 2 | 210.135 | PIN | |
| 30 | 2 | 2 | 220.534 | CYLINDER WITH ACCESSORIES | |

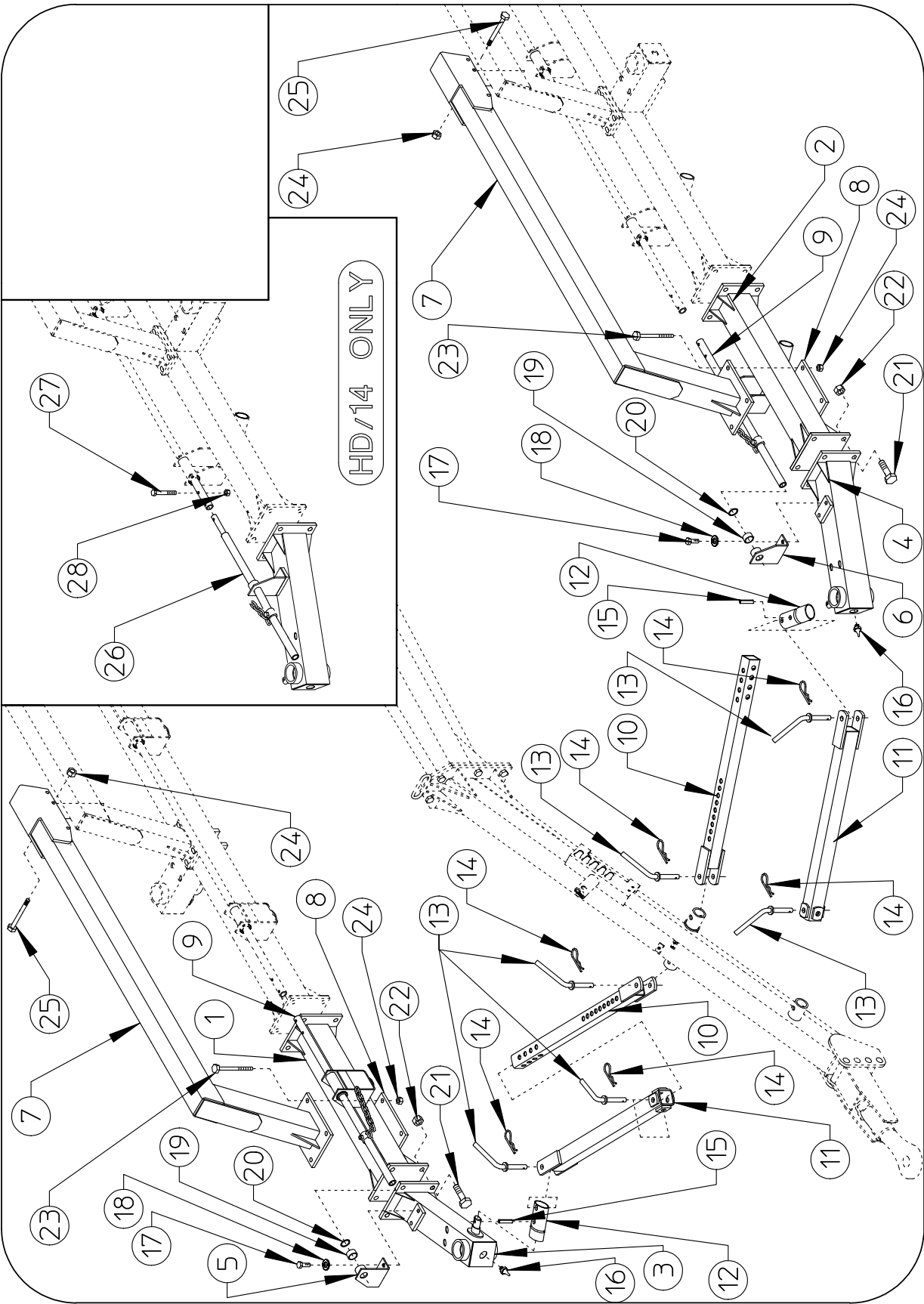
| TABLE NO. 920.172 INITIAL SECTIONS | | | | | |
|------------------------------------|--------------|--------------|---------|-------------------------------------|------|
| ITEM | Q.ty HD14 | Q.ty HD16 | PART NO | DESCRIPTION | NOTE |
| 1 | 1 | 1 | 220.512 | INITIAL SECTION, RH | |
| 2 | 1 | 1 | 220.513 | INITIAL SECTION, LH | |
| 3 | 1 | 1 | 210.736 | R.H. REINFORCEMENT | |
| 4 | 1 | 1 | 210.737 | L.H. REINFORCEMENT | |
| 5 | 1 | 1 | 220.358 | RH SUPPORT | |
| 6 | 1 | 1 | 220.359 | LH SUPPORT | |
| 7 | 2 | 2 | 220.526 | SUPPORT | |
| 8 | 2 | 2 | 220.535 | PIPE | |
| 9 | 2 | 2 | 220.357 | BUSH | |
| 10 | 2 | 2 | 210.173 | TIE ROD | |
| 11 | 2 | 2 | 210.152 | SPRING | |
| 12 | 4 | 4 | 200.032 | PIN | |
| 13 | 8 | 8 | 600.038 | SPLIT PIN \varnothing 6x35 DIN 94 | |
| 14 | 2 | 2 | 210.816 | CYLINDER | |
| 15 | 2 | 2 | 600.967 | SCREW M 12x100 DIN 912 8.8 | |
| 16 | 2 | 2 | 600.965 | KNOB | |
| 17 | 2 | 2 | 600.008 | NUT M12 DIN 934 | |
| 18 | 2 | 2 | 210.177 | HANDLE | |
| 19 | 2 | 2 | 600.200 | NUT M22 DIN 934 | |
| 20 | 2 | 2 | 210.178 | HANDLE, COMPLETE | |
| 21 | 4 | 4 | 600.010 | NUT M10 DIN 934 | |
| 22 | 12 | 12 | 610.525 | SCREW M8x60 DIN 931 8.8 | |
| 23 | 16 | 16 | 600.076 | NUTS M8 DIN 980 | |
| 24 | 2 | 2 | 220.377 | PIN | |
| 25 | 2 | 2 | 600.019 | SPLIT PIN | |
| 26 | 8 | 8 | 600.752 | SCREW M14 X 45 DIN 931 8.8 | |
| 27 | 8 | 8 | 600.075 | NUT M14 DIN 980 | |
| 28 | 8 | 8 | 610.167 | SCREW M16 X 45 DIN 933 8.8 | |
| 29 | 8 | 8 | 600.080 | NUT M16 DIN 980 | |
| 30 | 4 | 4 | 600.735 | SCREW M8 X 65 DIN 931 8.8 | |
| 31 | 2 | 2 | 600.124 | GREASE NIPPLE M6 | |

TABLE NO. 920.173 CENTER SECTIONS



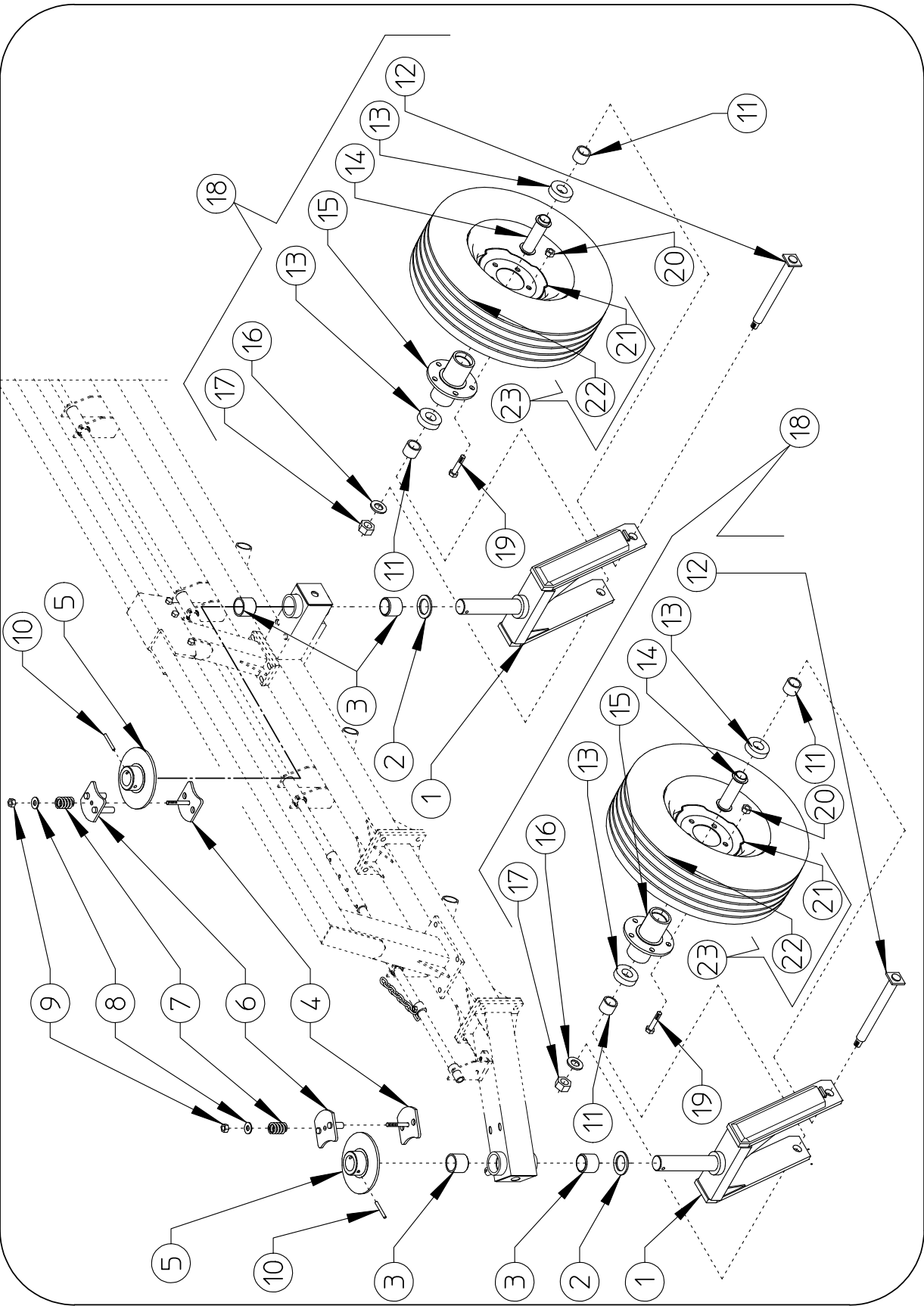
| TABLE NO. 920.173 CENTER SECTIONS | | | | | |
|-----------------------------------|--------------|--------------|---------|---------------------------|------|
| ITEM | Q.ty HD14 | Q.ty HD16 | PART NO | DESCRIPTION | NOTE |
| 1 | 1 | 1 | 220.514 | SECTION 2 RH WHEEL | |
| 2 | 1 | 1 | 220.515 | SECTION 2 LH WHEEL | |
| 3 | 1 | 1 | 220.516 | SECTION 3 RH WHEEL | |
| 4 | 1 | 1 | 220.517 | SECTION 3 LH WHEEL | |
| 5 | 2 | 2 | 220.536 | PIPE | |
| 6 | 2 | 2 | 220.537 | PIPE | |
| 7 | 2 | 4 | 220.357 | BUSH | |
| 8 | 4 | 4 | 200.774 | COUNTER PLATE | |
| 9 | 1 | 1 | 210.840 | RH ARM | |
| 10 | 1 | 1 | 210.841 | LH ARM | |
| 11 | 1 | 1 | 210.738 | RH REINFORCEMENT | |
| 12 | 1 | 1 | 210.739 | LH REINFORCEMENT | |
| 13 | 8 | 8 | 610.908 | SCREW M14x160 DIN 931 8.8 | |
| 14 | 8 | 8 | 600.188 | WASHER ø15 DIN 125A | |
| 15 | 16 | 16 | 600.075 | NUT M14 DIN 980 | |
| 16 | 8 | 8 | 600.752 | SCREW M 14x45 DIN 931 | |
| 17 | 8 | 16 | 610.167 | SCREW M 16x45 DIN 933 | |
| 18 | 8 | 16 | 600.080 | NUT M16 DIN 980 | |
| 19 | 8 | 16 | 610.525 | SCREW M8x60 DIN 931 | |
| 20 | 8 | 16 | 600.076 | NUT M8 DIN 980 | |
| 21 | 4 | 4 | 600.019 | SPLIT PIN | |
| 22 | 16 | 16 | 600.001 | SCREW M12x140 DIN 931 | |
| 23 | 16 | 16 | 600.077 | NUT M12 DIN 980 | |
| 24 | 2 | 2 | 600.034 | GREASE NIPPLE M8 | |

TABLE NO. 920.174 FRONT PART



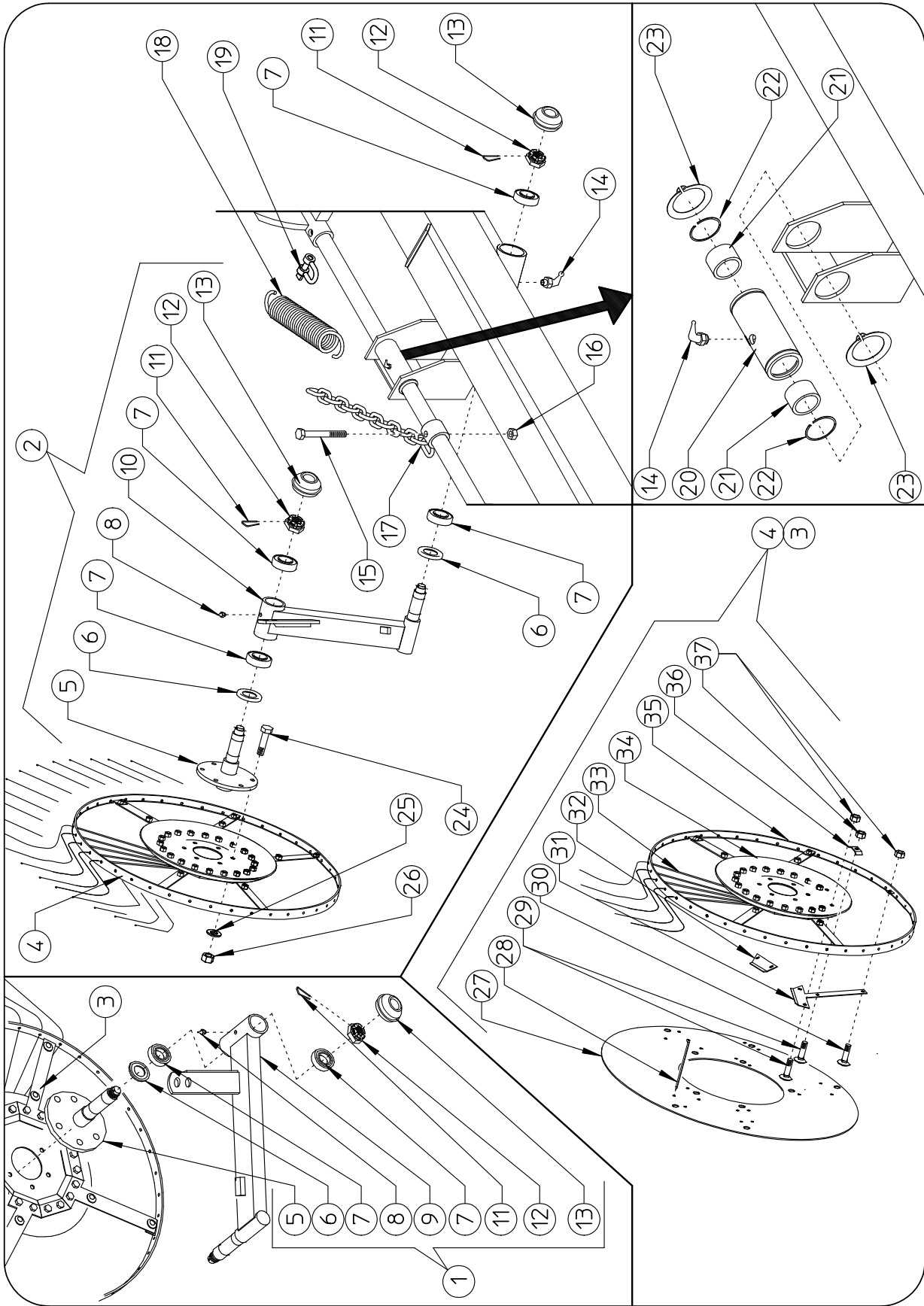
| TABLE NO. 920.174 FRONT PART | | | | | |
|------------------------------|--------------|--------------|---------|---|------|
| ITEM | Q.ty HD14 | Q.ty HD16 | PART NO | DESCRIPTION | NOTE |
| 1 | * | 1 | 220.518 | SECTION 1 RH WHEEL | |
| 2 | * | 1 | 220.519 | SECTION 1 LH WHEEL | |
| 3 | 1 | 1 | 210.837 | RH, SUPPORT | |
| 4 | 1 | 1 | 210.838 | LH, SUPPORT | |
| 5 | 1 | 1 | 220.360 | RH, SUPPORT | |
| 6 | 1 | 1 | 220.361 | LH, SUPPORT | |
| 7 | * | 2 | 220.406 | REINFORCEMENT | |
| 8 | * | 2 | 220.691 | COUNTER PLATE | |
| 9 | * | 2 | 220.538 | PIPE | |
| 10 | 2 | 2 | 200.817 | INNER ARM | |
| 11 | 2 | 2 | 200.816 | OUTER ARM | |
| 12 | 2 | 2 | 220.204 | BUSH | |
| 13 | 6 | 6 | 200.820 | PIN | |
| 14 | 6 | 6 | 600.019 | SPLIT PIN | |
| 15 | 2 | 2 | 610.809 | SPRING PIN \varnothing 10x32 DIN 1481 | |
| 16 | 2 | 2 | 600.034 | GREASE NIPPLE M8 | |
| 17 | 4 | 4 | 610.843 | SCREW M10 X 16 DIN 933 8.8 | |
| 18 | 4 | 4 | 600.322 | WASHER \varnothing 10,5 DIN 125A | |
| 19 | 2 | 2 | 220.342 | NYLON BUSH | |
| 20 | 2 | 2 | 610.898 | ELASTIC RING SB 44 | |
| 21 | 8 | 8 | 610.167 | SCREW M16 X 45 DIN 933 8.8 | |
| 22 | 8 | 8 | 600.080 | NUT M16 DIN 980 | |
| 23 | * | 8 | 600.001 | SCREW M12x140 DIN 931 | |
| 24 | * | 14 | 600.077 | NUT M12 DIN 980 | |
| 25 | * | 6 | 600.225 | SCREW M12x120 DIN 931 | |
| 26 | 2 | * | 220.539 | PIPE | |
| 27 | 2 | * | 600.551 | SCREW M8x45 DIN 931 | |
| 28 | 2 | * | 600.076 | NUT M8 DIN 980 | |

TABLE NO. 920.175 PNEUMATIC WHEEL ASSY



| TABLE NO. 920.175 PNEUMATIC WHEELS ASSY | | | | | |
|---|--------------|--------------|---------|------------------------------|------|
| ITEM | Q.ty HD14 | Q.ty HD16 | PART NO | DESCRIPTION | NOTE |
| 1 | 4 | 4 | 220.523 | SUPPORT | |
| 2 | 4 | 4 | 210.179 | WASHER | |
| 3 | 8 | 8 | 200.199 | BUSH | |
| 4 | 4 | 4 | 210.931 | BRAKE COUNTER PLATE | |
| 5 | 4 | 4 | 200.025 | BUSH | |
| 6 | 4 | 4 | 200.810 | BRAKE | |
| 7 | 4 | 4 | 200.044 | SPRING | |
| 8 | 4 | 4 | 600.092 | WASHER | |
| 9 | 4 | 4 | 600.077 | NUT M12 DIN 980 | |
| 10 | 4 | 4 | 600.033 | SPRING PIN ø10x80 DIN 1481 | |
| 11 | 8 | 8 | 210.170 | SPACER | |
| 12 | 4 | 4 | 210.184 | PIN | |
| 13 | 8 | 8 | 600.609 | BEARING 6206 2RS | |
| 14 | 4 | 4 | 200.140 | SPACER | |
| 15 | 4 | 4 | 200.139 | HUB | |
| 16 | 4 | 4 | 200.165 | WASHER | |
| 17 | 4 | 4 | 600.079 | NUT M22 DIN 980 | |
| 18 | 4 | 4 | 210.169 | HUB ASSY | |
| 19 | 20 | 20 | 600.144 | SCREW M16x1,5x70 DIN 961 8.8 | |
| 20 | 20 | 20 | 600.289 | NUT M16x1,5 | |
| 21 | 4 | 4 | 600.304 | RIM | |
| 22 | 4 | 4 | 600.303 | TIRE | |
| 23 | 4 | 4 | 600.281 | WHEEL ASSY | |

TABLE NO. 920.176 WHEEL AND ARM ASSY



| TABLE NO. 920.176 WHEELS AND ARMS ASSY | | | | | |
|--|--------------|--------------|---------|----------------------------|------|
| ITEM | Q.ty HD14 | Q.ty HD16 | PART NO | DESCRIPTION | NOTE |
| 1 | 7 | 8 | 220.261 | RH ARM, ASSY | |
| 2 | 7 | 8 | 220.262 | LH ARM, ASSY | |
| 3 | 7 | 8 | 220.269 | RH FINGER WHEEL, ASSY | |
| 4 | 7 | 8 | 220.270 | LH FINGER WHEEL, ASSY | |
| 5 | 14 | 16 | 220.278 | FLANGE | |
| 6 | 28 | 32 | 610.960 | DUST COVER | |
| 7 | 56 | 64 | 610.935 | BEARING 32007X | |
| 8 | 14 | 16 | 600.124 | GREASE NIPPLE M6 | |
| 9 | 7 | 8 | 220.541 | RH, ARM | |
| 10 | 7 | 8 | 220.542 | LH, ARM | |
| 11 | 28 | 32 | 600.291 | SPLIT PIN | |
| 12 | 28 | 32 | 600.288 | CASTLE NUT M27x1,5 | |
| 13 | 28 | 32 | 600.290 | CAP | |
| 14 | 28 | 32 | 600.968 | GREASE NIPPLE M6x45° | |
| 15 | 14 | 16 | 610.525 | SCREW M8x60 DIN 931 8.8 | |
| 16 | 14 | 16 | 600.076 | NUT M8 DIN 980 | |
| 17 | 14 | 16 | 220.540 | CHAIN BUSH | |
| 18 | 14 | 16 | 220.276 | SPRING | |
| 19 | 14 | 16 | 610.317 | "D" SHACKLES | |
| 20 | 14 | 16 | 220.343 | BUSH | |
| 21 | 28 | 32 | 220.342 | NYLON BUSH | |
| 22 | 28 | 32 | 610.898 | ELASTIC RING SB 44 | |
| 23 | 28 | 32 | 610.833 | SEEGER E 50 DIN 471 | |
| 24 | 84 | 96 | 600.148 | SCREW M10 X 30 DIN 933 8.8 | |
| 25 | 84 | 96 | 600.024 | SPRING WASHER ø10,5 | |
| 26 | 84 | 96 | 600.010 | NUT M10 DIN 934 | |
| 27 | 14 | 16 | 220.273 | NYLON FLANGE | |
| 28 | 140 | 160 | 620.039 | NYLON CLAMP | |
| 29 | 350 | 400 | 610.823 | SCREW M10x30 DIN 603 | |
| 30 | 70 | 80 | 600.005 | SCREW M10x25 DIN 603 | |
| 31 | 70 | 80 | 220.274 | TINE LOCK | |
| 32 | 70 | 80 | 220.275 | TINE LOCK | |
| 33 | 560 | 640 | 210.864 | TINE | |
| 34 | 14 | 16 | 220.272 | FLANGE | |
| 35 | 14 | 16 | 220.271 | RIM | |
| 36 | 70 | 80 | 220.485 | LOCK | |
| 37 | 420 | 480 | 600.029 | NUT M10 DIN 980 | |

TABLE NO. 920.177 HYDRAULIC KIT

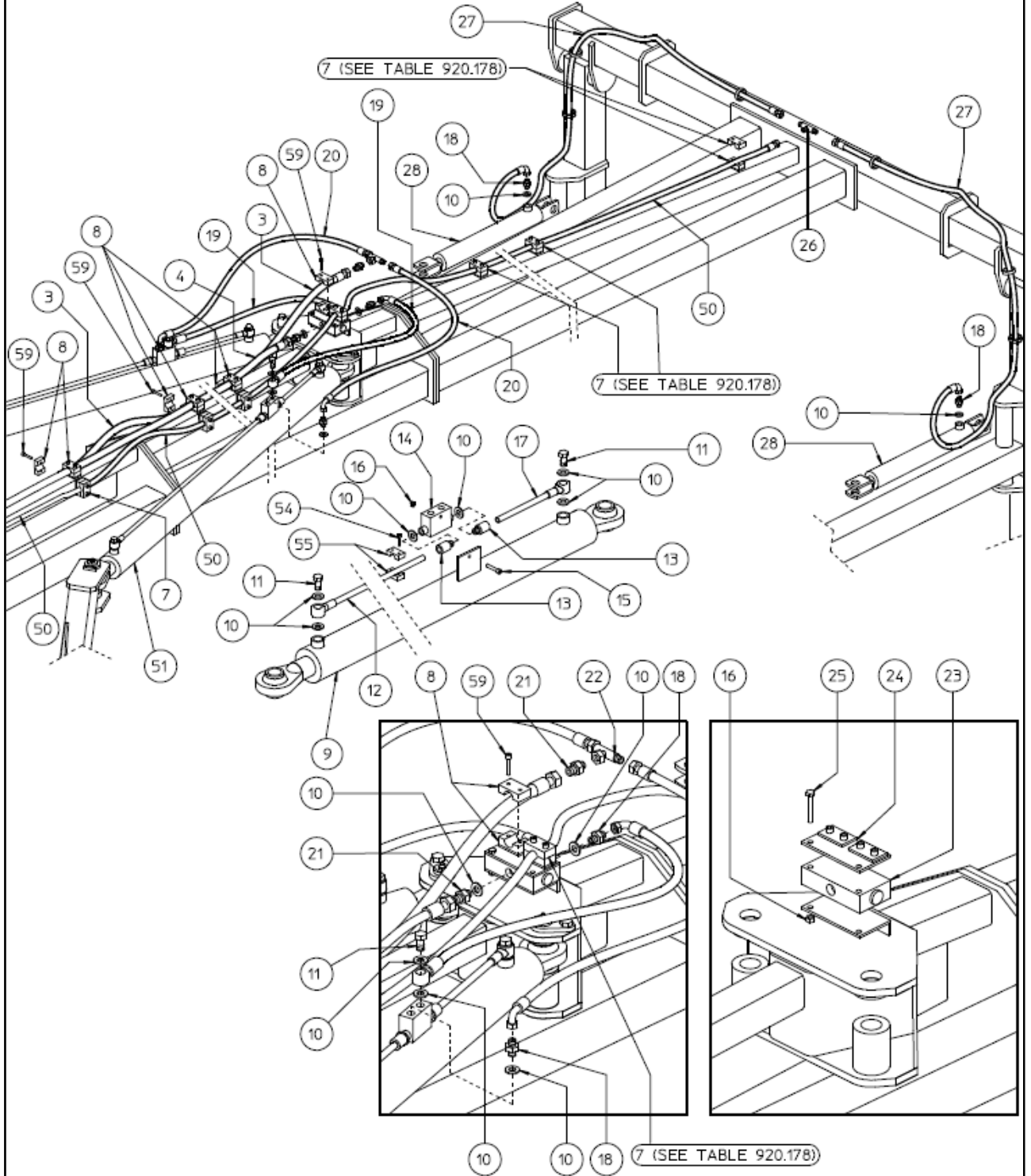
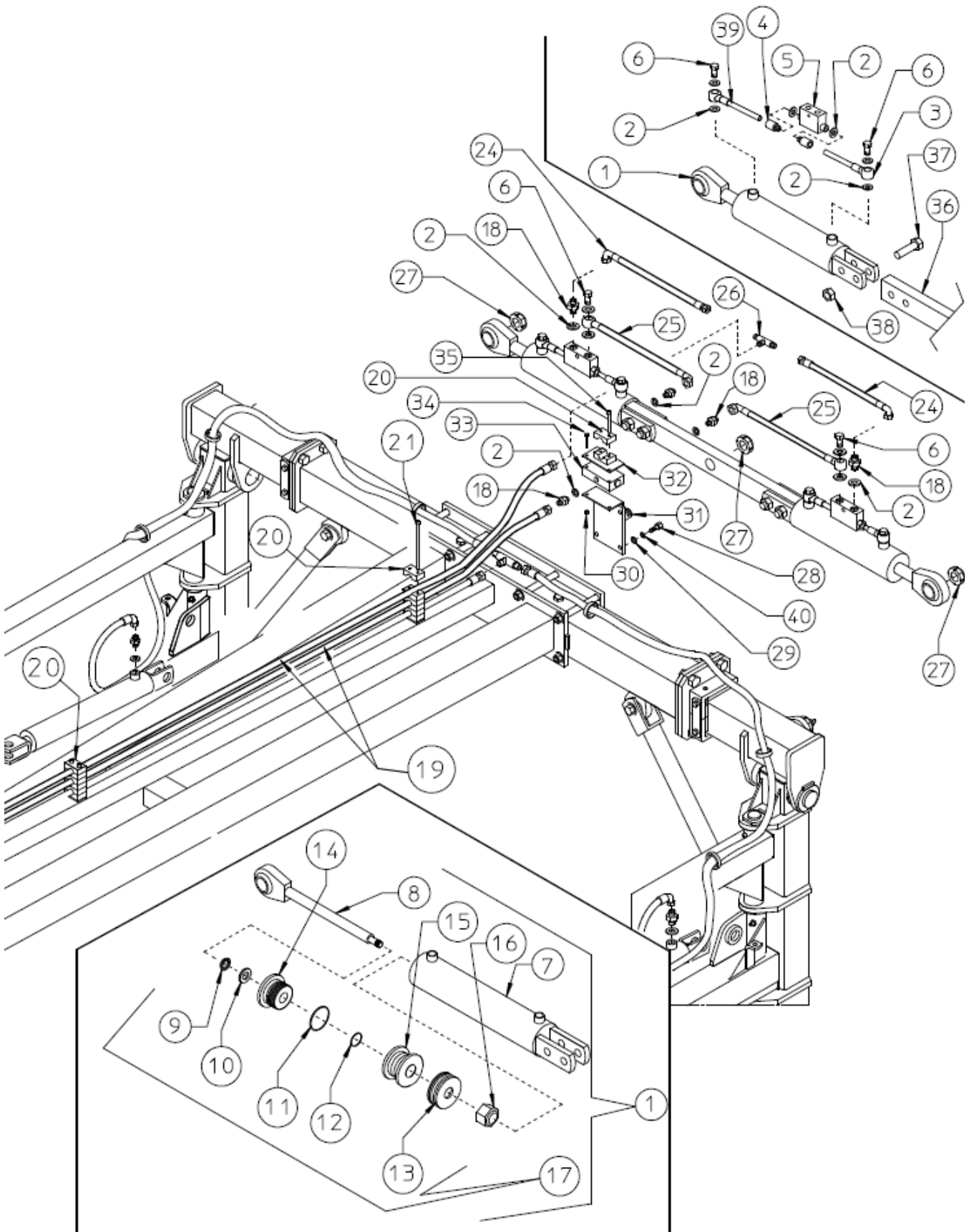


TABLE NO 920.177 HYDRAULIC KIT

| ITEM | Q.ty HD14 | Q.ty HD16 | PART NO | DESCRIPTION | NOTE |
|------|--------------|--------------|---------|--|------|
| 1 | 3 | 3 | 600.273 | RAPID COUPLING 1/2" | |
| 2 | 3 | 3 | 600.269 | COPPER WASHER 1/2" | |
| 3 | 1 | 1 | 610.837 | HOSE SAE100 R2AT 1/2 FP 1/2" - MP 1/2" | |
| 4 | 1 | 1 | 610.836 | HOSE SAE100 R2AT 1/2 FP 1/2" - MP 1/2" | |
| 5 | 1 | 1 | 610.728 | HOSE SAE100 R2AT 3/8 MP 1/2" - FP 3/8" | |
| 6 | 2 | 2 | 610.041 | HALF DOUBLE HOSE COLLAR | |
| 7 | 18 | 18 | 610.035 | HALF HOSE COLLAR (3/8") | |
| 8 | 18 | 18 | 610.038 | HALF HOSE COLLAR (1/2") | |
| 9 | 2 | 2 | 220.476 | CYLINDER | |
| 10 | 23 | 23 | 600.039 | COPPER WASHER 3/8" | |
| 11 | 6 | 6 | 600.040 | FITTING D 3/8" | |
| 12 | 2 | 2 | "" | IRON PIPE | |
| 13 | 4 | 4 | 610.469 | FITTING | |
| 14 | 2 | 2 | 600.799 | LOCK VALVE VSD 3/8" | |
| 15 | 2 | 2 | 600.869 | SCREW M 6 X 40 DIN 931 8.8 | |
| 16 | 4 | 4 | 600.472 | NUT M 6 DIN 980 | |
| 17 | 2 | 2 | ***** | IRON PIPE | |
| 18 | 6 | 6 | 600.270 | NIPPLE 3/8" - 3/8" | |
| 19 | 2 | 2 | 610.729 | HOSE SAE100 R2AT 3/8 O 3/8" - FP90 3/8" | |
| 20 | 2 | 2 | 610.730 | HOSE SAE100 R2AT 3/8 FP90 3/8" - FP 3/8" | |
| 21 | 2 | 2 | 600.416 | NIPPLE 3/8" - 1/2" | |
| 22 | 1 | 1 | 600.977 | FITTING MM-FG 3/8" | |
| 23 | 1 | 1 | 600.974 | FLOW DIVIDER | |
| 24 | 1 | 1 | 210.188 | PLATE | |
| 25 | 2 | 2 | 600.970 | SCREW M 6 X 60 DIN 931 8.8 | |
| 26 | 1 | 1 | 600.272 | FITTING MM-M 3/8" | |
| 27 | 2 | 2 | 620.031 | HOSE SAE100 R2AT 3/8 FP 3/8" - FP90 3/8" | |
| 28 | 2 | 2 | 210.816 | CYLINDER | |
| 29 | 2 | 2 | 210.221 | ROD | |
| 30 | 2 | 2 | 210.822 | CYLINDER PIPE | |

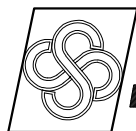
| TABLE NO 920.177 HYDRAULIC KIT | | | | | |
|--------------------------------|--------------|--------------|---------|--|------|
| ITEM | Q.ty HD14 | Q.ty HD16 | PART NO | DESCRIPTION | NOTE |
| 31 | 2 | 2 | 220.524 | HEAD | |
| 32 | 2 | 2 | 200.304 | PISTON | |
| 33 | 2 | 2 | 600.642 | NUT M18 X1,5 DIN 982 - 8 | |
| 34 | 2 | 2 | 600.645 | GASKET WRM 118149 (D 30) | |
| 35 | 2 | 2 | 600.646 | GASKET OR 117 (D 20,29 X 2,62) | |
| 36 | 2 | 2 | 600.648 | GASKET DBM 196133 BORE 50 | |
| 37 | 2 | 2 | 620.022 | KIT GASKET | |
| 38 | 2 | 2 | **** | ROD | |
| 39 | 2 | 2 | ***** | CYLINDER PIPE | |
| 40 | 2 | 2 | 220.432 | HEAD | |
| 41 | 2 | 2 | **** | SPACER | |
| 42 | 2 | 2 | 220.433 | PISTON | |
| 43 | 2 | 2 | 610.928 | NUT M30 X 2 DIN 985 - 8 | |
| 44 | 2 | 2 | 610.006 | GASKET WRM 196228 (D 50) | |
| 45 | 2 | 2 | 610.007 | GASKET B 236196 (D 50) | |
| 46 | 2 | 2 | 610.929 | GASKET OR 845 + PBK (D 73,03 X 3,53) | |
| 47 | 2 | 2 | 610.927 | GASKET OR 123 (D 29,82 X 2,62) | |
| 48 | 2 | 2 | 610.010 | GASKET DBM 314236 BORE 80 | |
| 49 | 2 | 2 | 610.926 | KIT GASKET | |
| 50 | 1 | 1 | 610.838 | HOSE SAE100 R2AT 3/8 MP 3/8" - FP 3/8" | |
| 51 | 2 | 2 | 220.534 | CYLINDER WITH ACCESOIRES | |
| 52 | 1 | 1 | 610.043 | PLATE | |
| 53 | 1 | 1 | 610.044 | SCREW | |
| 54 | 2 | 2 | 610.424 | SCREW | |
| 55 | 2 | 2 | 610.423 | HALF HOSE COLLAR | |
| 56 | 2 | 2 | 620.012 | PLUG 3/8" | |
| 57 | 2 | 2 | 610.031 | GASKET B 157118 (D.50) | |
| 58 | 2 | 2 | 610.090 | GASKET OR 826 (D.42,86 X 3,53) | |
| 59 | 18 | 18 | 610.040 | SCREW | |

TABLE NO. 920.178 HYDRAULIC REAR OPENING



| TABLE NO 920.178 HYDRAULIC REAR OPENING | | | | | |
|---|--------------|--------------|---------|--|------|
| ITEM | Q.ty HD14 | Q.ty HD16 | PART NO | DESCRIPTION | NOTE |
| 1 | 2 | 2 | 220.477 | CYLINDER | |
| 2 | 21 | 21 | 600.039 | COPPER WASHER D 3/8" | * |
| 3 | 2 | 2 | 610.511 | IRON PIPE | * |
| 4 | 4 | 4 | 610.469 | FITTING | * |
| 5 | 2 | 2 | 600.799 | LOCK VALVE VSD 3/8" | * |
| 6 | 6 | 6 | 600.040 | FITTING D 3/8" | * |
| 7 | 2 | 2 | 220.510 | CYLINDER BARREL | |
| 8 | 2 | 2 | 220.511 | ROD | |
| 9 | 2 | 2 | 600.645 | GASKET WRM 118149 D 50 | |
| 10 | 2 | 2 | 610.031 | GASKET B 157118 D 30 | |
| 11 | 2 | 2 | 600.875 | GASKET OR 832 D 52,39 X 3,53 | |
| 12 | 2 | 2 | 600.646 | GASKET OR117 D 20,29 X 2,62 | |
| 13 | 2 | 2 | 600.647 | GASKET DBM 236173 BORE 60 | |
| 14 | 2 | 2 | 200.301 | CYLINDER HEAD | |
| 15 | 2 | 2 | 200.303 | PISTON | |
| 16 | 2 | 2 | 610.087 | LOCK-NUT M20 X1.5 DIN 982 - 8 | |
| 17 | 2 | 2 | 610.030 | SET OF GASKETS | |
| 18 | 5 | 5 | 600.270 | NIPPLE M 3/8"-M 3/8" | * |
| 19 | 2 | 2 | 610.697 | HOSE SAE100 R2AT 3/8 MP 1/2" - FP 3/8" | * |
| 20 | 34 | 34 | 610.035 | HALF HOSE COLLAR | |
| 21 | 16 | 16 | 610.956 | SCREW M6 X 95 | |
| 22 | 2 | 2 | 600.269 | COPPER WASHER D 1/2" | * |

| TABLE NO 920.178 HYDRAULIC REAR OPENING | | | | | |
|---|--------------|--------------|---------|---|----------|
| ITEM | Q.ty HD14 | Q.ty HD16 | PART NO | DESCRIPTION | NOTE |
| 23 | 2 | 2 | 600.273 | RAPID COUPLING D 1/2" | * |
| 24 | 2 | 2 | 620.032 | HOSE SAE100 R2AT 3/8 FP 3/8" - F9P 3/8" | * |
| 25 | 2 | 2 | 620.033 | HOSE SAE100 R2AT 3/8 FP90 3/8" - O 3/8" | * |
| 26 | 1 | 1 | 600.272 | FITTING MM-M 3/8" | * |
| 27 | 3 | 3 | 610.593 | LOCK-NUT M30 X 1,5 | |
| 28 | 4 | 4 | 600.702 | SCREW M8 X 25 DIN 933 8.8 | |
| 29 | 4 | 4 | 600.115 | WASHER D 8,4 DIN 7972 | |
| 30 | 2 | 2 | 600.472 | NUT M6 DIN 980 | |
| 31 | 1 | 1 | 220.259 | CYLINDER SUPPORT | |
| 32 | 1 | 1 | 220.283 | HOSE SUPPORT | |
| 33 | 1 | 1 | 600.974 | FLOW DIVIDER | |
| 34 | 2 | 2 | 600.970 | SCREW M6 X 60 DIN 931 8.8 | |
| 35 | 4 | 4 | 610.037 | SCREW M6 X 25 DIN 912 8.8 | |
| 36 | 1 | 1 | 220.483 | CYLINDER TIE ROD | |
| 37 | 4 | 4 | 600.292 | SCREW M16 X 70 DIN 933 8.8 | |
| 38 | 4 | 4 | 600.080 | NUT M16 DIN 980 | |
| 39 | 2 | 2 | 220.554 | IRON PIPE | * |
| 40 | 4 | 4 | 600.229 | SPRING WASHER D 8,4 | |
| * | 1 | 1 | 220.498 | HYDRAULIC KIT | HD/14-16 |



sitrex[®]

AGRICULTURAL MACHINERY

Zona Industriale-Viale Grecia, 8
06018 TRESTINA-(Perugia)-ITALY
Tel. +39.075.8540021-Telefax +39.075.8540523
e-mail: sitrex@sitrex.it www.sitrex.com

