

Tube-Line Accumul8 Grabber

Operator's Manual

To The Owner

This manual contains information concerning the adjustment, assembly and maintenance of your Tube-Line Accumulator Grabber. You have purchased a dependable machine, but only by proper care and operation can you expect to receive the performance and long life built into the Tube-Line Accelerator.

Please have all operators read this manual carefully and keep it available for ready reference. Your authorized dealer will instruct you in the general operation of your Tube-Line Accumulator Grabber. (Refer to the “delivery report” at the back of this manual.) Your dealer’s staff of factory-trained service technicians will be glad to answer any questions that may arise regarding the operation of your Tube-line Grabber.

Model : _____
Product Serial Number : _____



This safety alert symbol indicates important safety messages in this manual. When you see this symbol, carefully read the message that follows and be alert to the possibility of personal injury or death.



**Pictures in this manual may show protective shielding open or removed to better illustrate a particular feature or adjustment.
Be certain, however, to close or replace all shielding before operating the machine**

Improvements

Tube-Line Manufacturing Inc. is continually striving to improve its products. We reserve the right to make improvements or changes when it becomes practical and possible to do so, without incurring any obligation to make changes or additions to the equipment sold previously.

Contents

Safety.....	5
Assembly.....	11
General Information.....	22
Operation.....	24
Maintenance.....	26

Precautionary Statements

Personal Safety

Throughout this manual and on machine decals you will find precautionary statements (“DANGER”, “WARNING”, and “CAUTION”) followed by specific instructions. These precautions are intended for the personal safety of you and those working with you. Please take time to read them.



This word “DANGER” indicates an immediate hazardous situation that, if not avoided, will result in death or serious injury.



This word “WARNING” indicates a Potentially Hazardous situation that, if not avoided, could result in death or serious injury.



This word “CAUTION” indicates a potentially hazardous situation that, if not avoided, may result in minor or moderate injury. It may also be used to alert against unsafe practices. Failure to follow the danger warning and caution instructions may result in serious bodily injury or death.

Machine Safety

The precautionary statement “IMPORTANT” is followed by specific instructions. This statement is intended for machine safety.

IMPORTANT : The word “IMPORTANT” is used to inform the reader of something he needs to know to prevent minor machine damage if a certain procedure is not followed.

Safety

Precautionary Statements

A careful operator is the best operator. Most accidents can be avoided by observing certain precautions. To help prevent accidents read the following precautions before operating this equipment. Equipment should be operated only by those who are responsible and instructed to do so.

Carefully review the procedures given in this manual with all operators. It is important that all operators be familiar with and follow safety precautions.

1. When transporting the machine on public roads, make sure the machine is in compliance with all local road regulation.
2. Before operating the unit be sure that it is assembled correctly and in good operating condition.
3. If machine maintenance work, repairs or adjustments must be done in the field, they should be done at a spot where the ground is firm and level. Turn off the tractor and apply the parking brake. Use the proper tools and wear suitable protection (safety goggles, work gloves, etc.).
4. If any maintenance work, repairs or adjustments are done which require disassembly, always make sure that everything is reassembled or retightened as it has been prior to making repairs or adjustments.
5. Follow the schedule provided for maintenance. By following these suggestions, it will be possible to keep the machine operating safely and efficiently, to the benefit of the user.
6. General checking of bolts, security pins and split pins must be carried out initially after the first 8 hours of use. Subsequently, check every 50 hours and whenever the machine is laid up for extended periods.
7. Before applying pressure to the system, be sure all connections are tight and that hoses and connections are not damaged.
8. Fluid under pressure can have sufficient force to penetrate the skin, causing serious personal injury. Always protect the skin and eyes from escaping fluid under pressure. If injured by escaping fluid, obtain medical assistance at once. Serious infection or reaction can develop if medical treatment is not administered immediately.
9. Before leaving the cab, engage the parking brake, shut down engine, and wait for all moving parts to stop.
10. Always keep bystanders away from machine during operation, Rotating elements may cause serious bodily injury.

General Safety

YOU are responsible for the safe operation and maintenance of your Tube-line Accumulator. You must ensure that you and anyone else who is going to operate, maintain or work around the Accumulator be familiar with the operating and maintenance procedures and related safety information contained in this manual.

Remember, YOU are the key to safety. Good safety practices not only protect you but also the people around you. Make these practices a working part of your safety program. Most accidents can be prevented. Do not risk injury or death by ignoring good safety practices. Review the operating instructions for this header at least once a year per OSHA regulations 1928.57. Know the meaning and location of each decal before operating the Accumulator. Watch for this symbol in this manual and on the Accumulator:



It will draw your attention to hazards that could cause injury or death.

1. Keep a first aid kit in the cab for emergencies and know how to use it.
2. Do not allow any one to ride on the Accumul8 Grabber while it is in motion.
3. Do not allow anyone to operate the Accumul8 Grabber who has not been instructed in how to operate the machine.
4. All operators should familiarize themselves with the safety section in the operator's manual.
5. Some pictures or illustrations may not show protective shields in place. Make certain that all protective shields are in place before operating the machines.

Operating and Maintenance Safety

- WARNING, DO NOT stand around or near the hooks. When pressurized the hooks can pinch or puncture skin.
- Hydraulic leaks can penetrate the skin causing serious injuries. Small leaks can be invisible and are the most dangerous. Use some object, like cardboard, to find the leak.
Do not use your hand.
- Ensure that all the pressure is released from the hydraulic lines before repairing.
Replace or repair damaged hoses immediately.

Hydraulic Safety

Release all the pressure from the hydraulic lines before making any repairs. Replace or repair damaged hoses immediately.



When checking for oil leaks use a piece of cardboard; DO NOT use your hand:
Escaping fluid under pressure can penetrate the skin causing serious injury.
Avoid the hazard by relieving pressure before disconnecting hydraulic or other lines.
Tighten all line connections before applying pressure.
Protect hands and body from high-pressure fluids.
If an accident occurs, see a doctor immediately. Any fluid injected into the skin must be surgically removed within a few hours or gangrene may result. Doctors unfamiliar with this type of injury should reference a knowledgeable medical source. Failure to comply could result in death or serious injury.

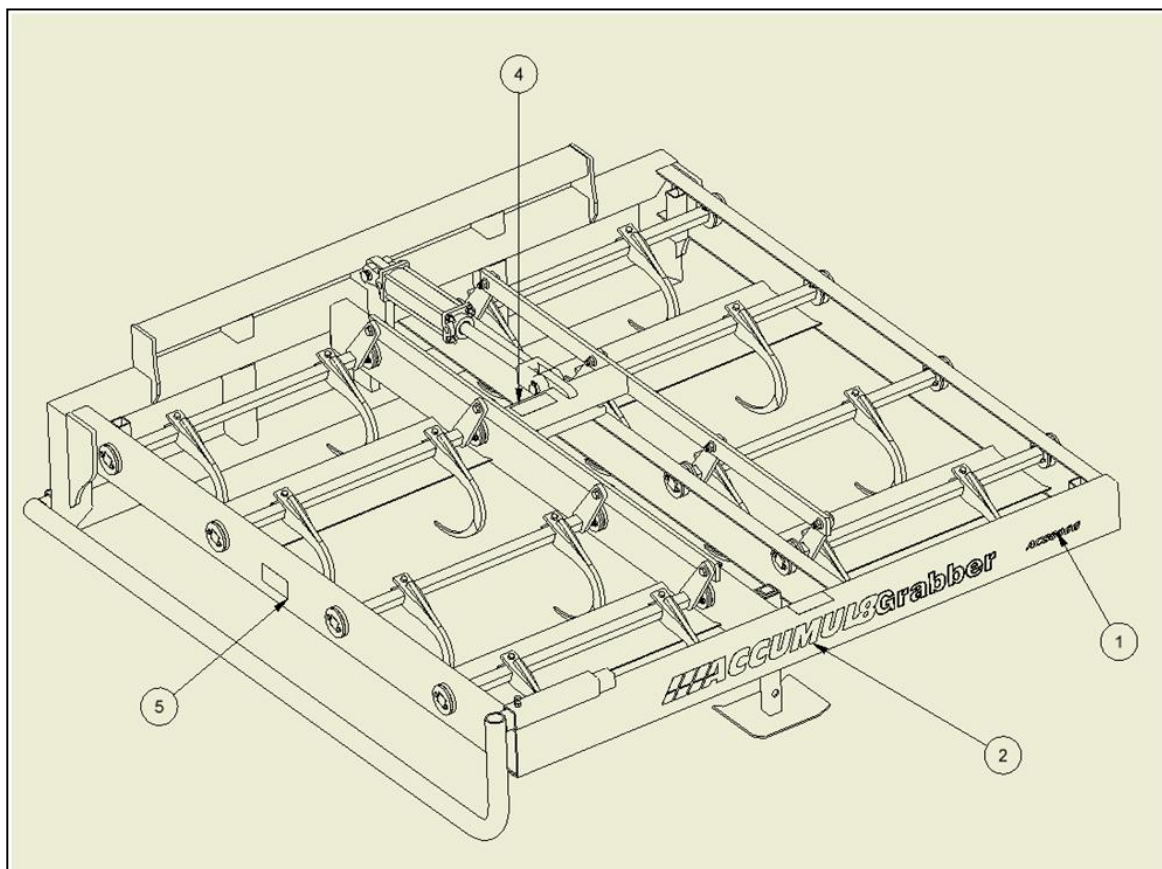
Welding Safety

DO NOT weld on or near rotating parts. Welding close to rotating parts will cause warping and will challenge the structural integrity.

DO NOT weld on or near rotating parts. Welding close to rotating parts may cause warping thus creating high stress loads for moving or rotating parts.

Decals and Safety Decals

The following safety decals have been placed on your machine in the areas indicated. They are intended for personal safety, and or, those working with you. Please take this manual, and walk around your machine to note the content, and location of these warning signs. Review these warning signs, and the operating instructions detailed in this manual with your machine operators. Keep the decals legible, if they are not, obtain replacements from your authorized dealer. The decal replacement numbers are listed with each decal.



Item	Qty	Part #	Description
1	1	DE28537	AC8006G Decal
1	1	DE28536	AC10006G Decal
1	1	AC-0006G-071	AC1206G Decal
2	1	DE28538	Accumul8 Grabber Decal
2	1	DE28539	Accumul8+2 Grabber Decal
2	1	AC-0006G-070	Accumul8+4 Grabber Decal
4	1	DE23847	High Pressure Fluid Decal
5	3	PP-00875	Fall/Slip Hazard Decal

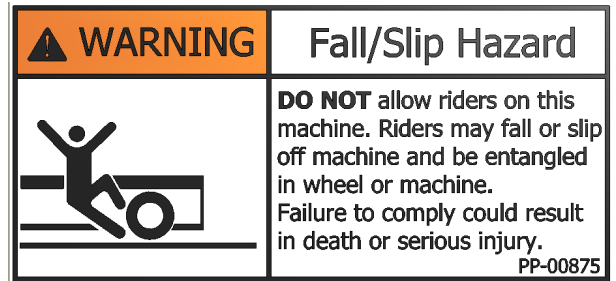
Decals

AC8006G



AC1000G

AC12006G



///ACCUMUL8 Grabber

///ACCUMUL8+2 Grabber

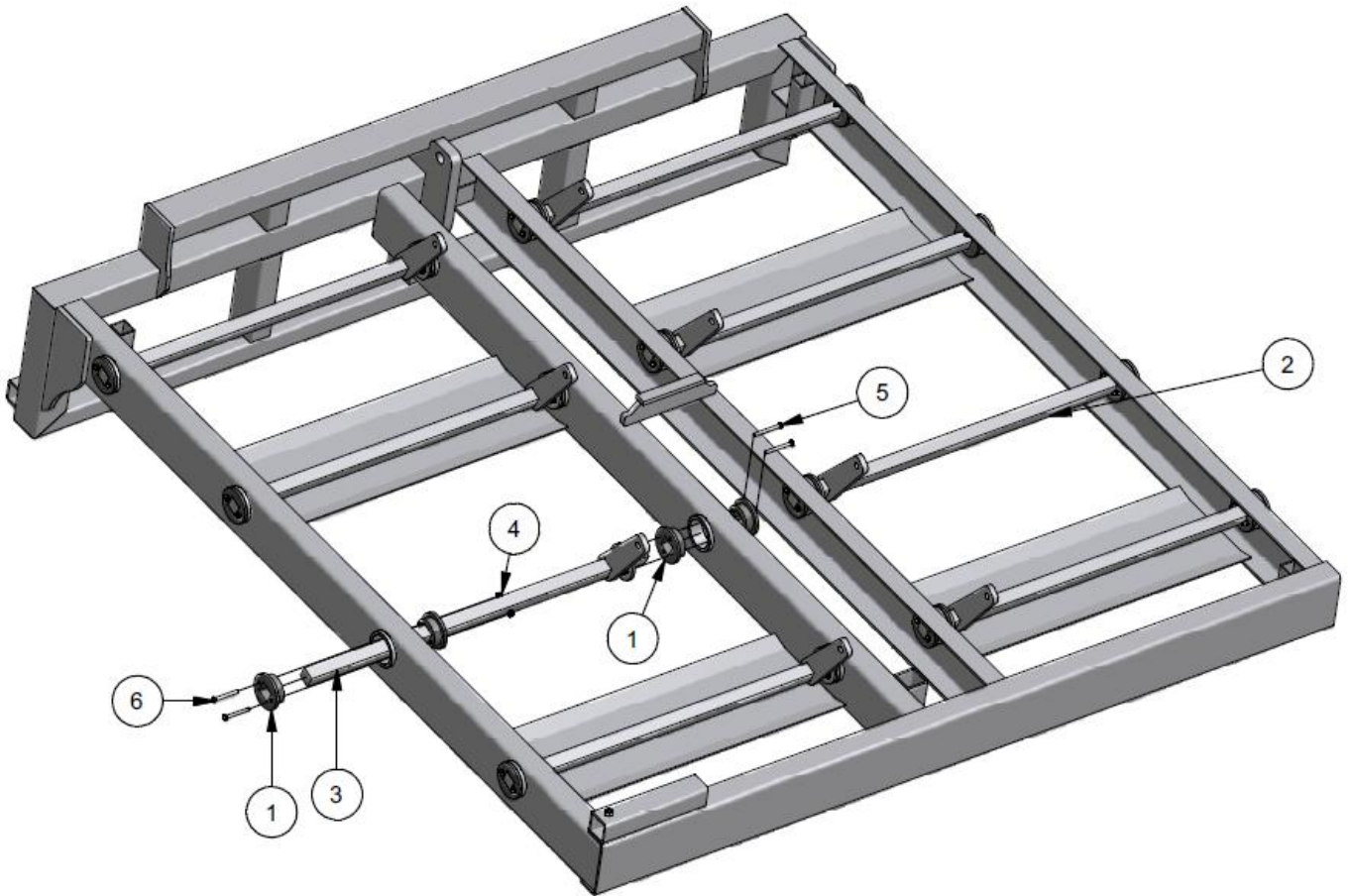
///ACCUMUL8+ Grabber

SECTION 1

Assembly Information

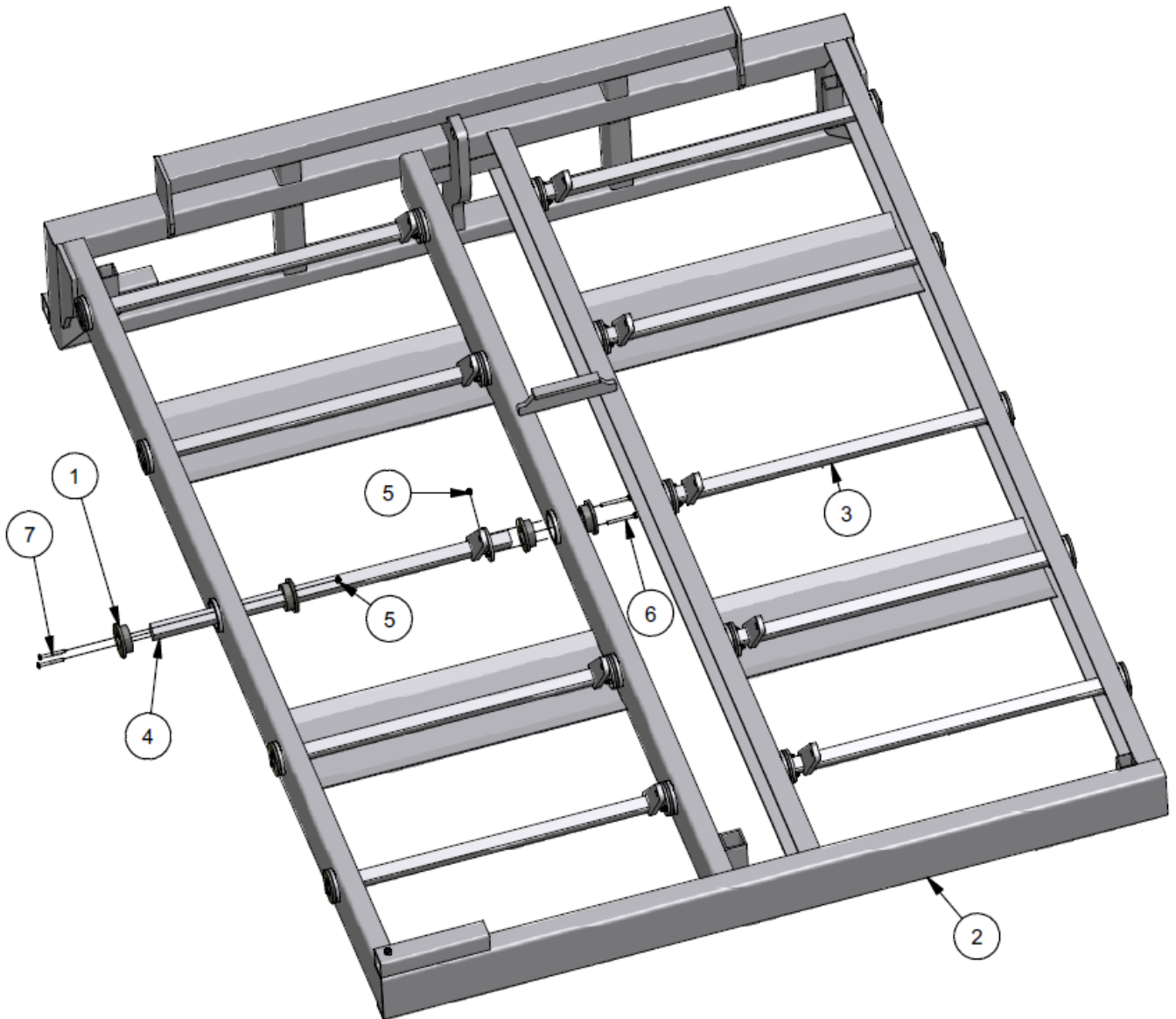
Note : Assembly drawings are intended for use of replacement parts only, and not as assembly guide.

Accumul8 Grabber Frame



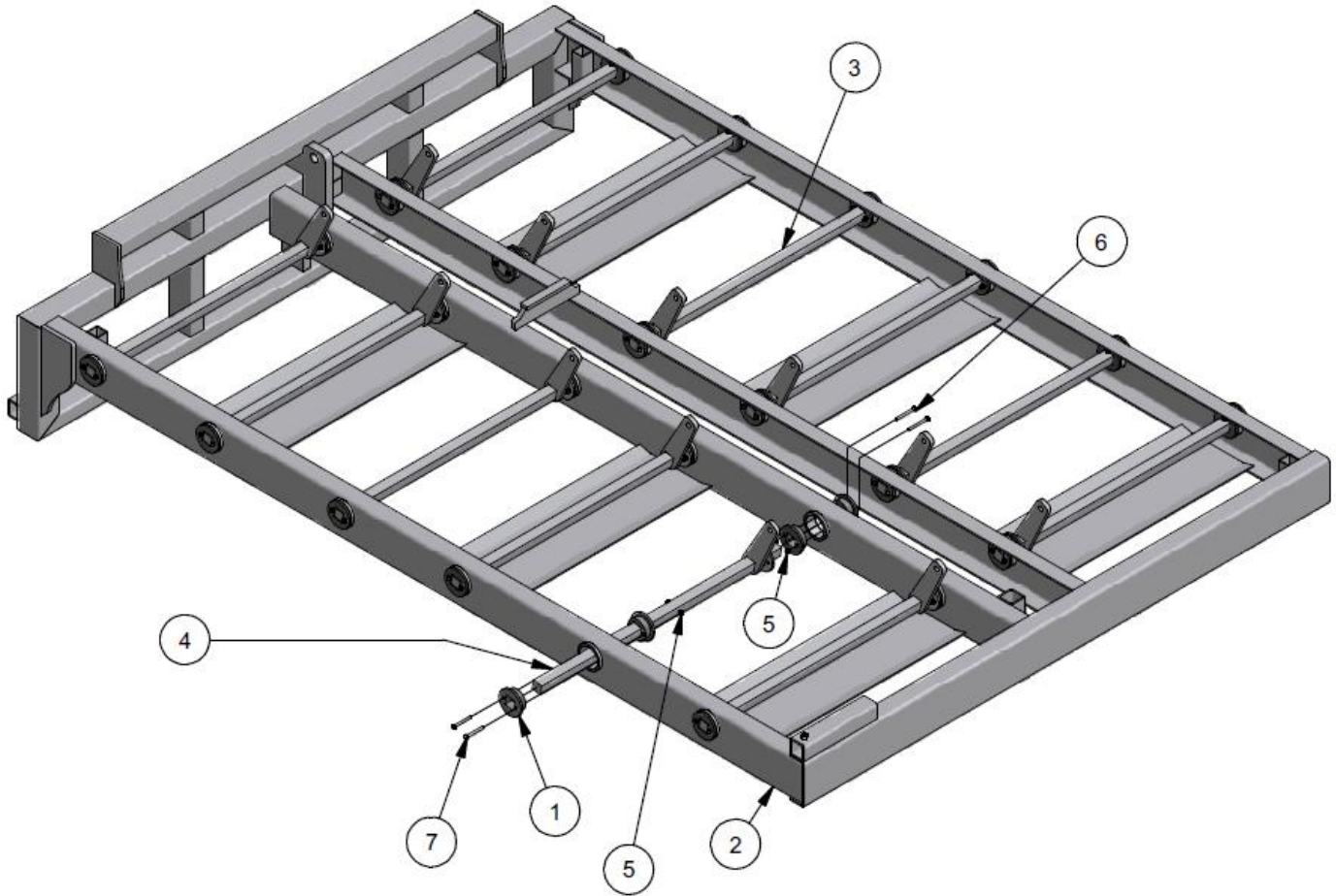
Item	Qty	Part #	Description
1	32	AC-0006G-004	Plastic Bushing
2	4	AC-0806-AG-03	Left Grabber Pivot
3	4	AC-0806-AG-04	Right Grabber Pivot
4	32	Obtain Locally	LN 1/4 Lock Nut
5	16	Obtain Locally	HB 1/4 X 2 1/2 Hex Bolt
6	16	Obtain Locally	HB 1/4 X 2 1/4 Hex Bolt

Accumul8+2 Grabber Frame

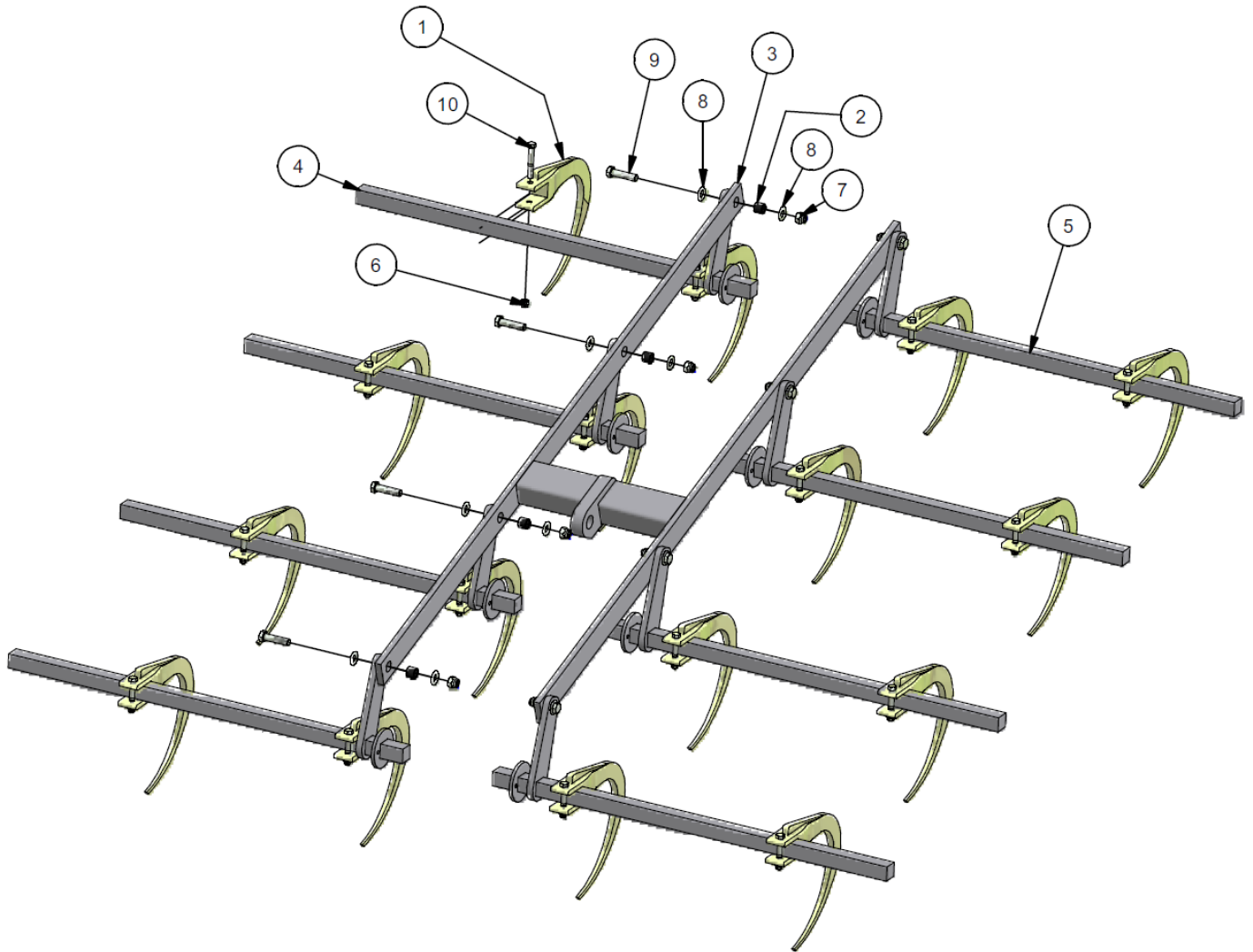


Item	Qty	Part #	Description
1	40	AC-0006G-004	Plastic Bushing
2	1	AC-1006G-AG-01	Frame
3	5	AC-1006G-AG-03	Left Grabber Pivot
4	5	AC-10GAG-05_MIR	Right Grabber Pivot
5	40	Obtain Locally	LN 1/4 Lock Nut
6	20	Obtain Locally	HB 1/4 X 2 1/2 Hex Bolt
7	20	Obtain Locally	HB 1/4 X 2 1/4 Hex Bolt

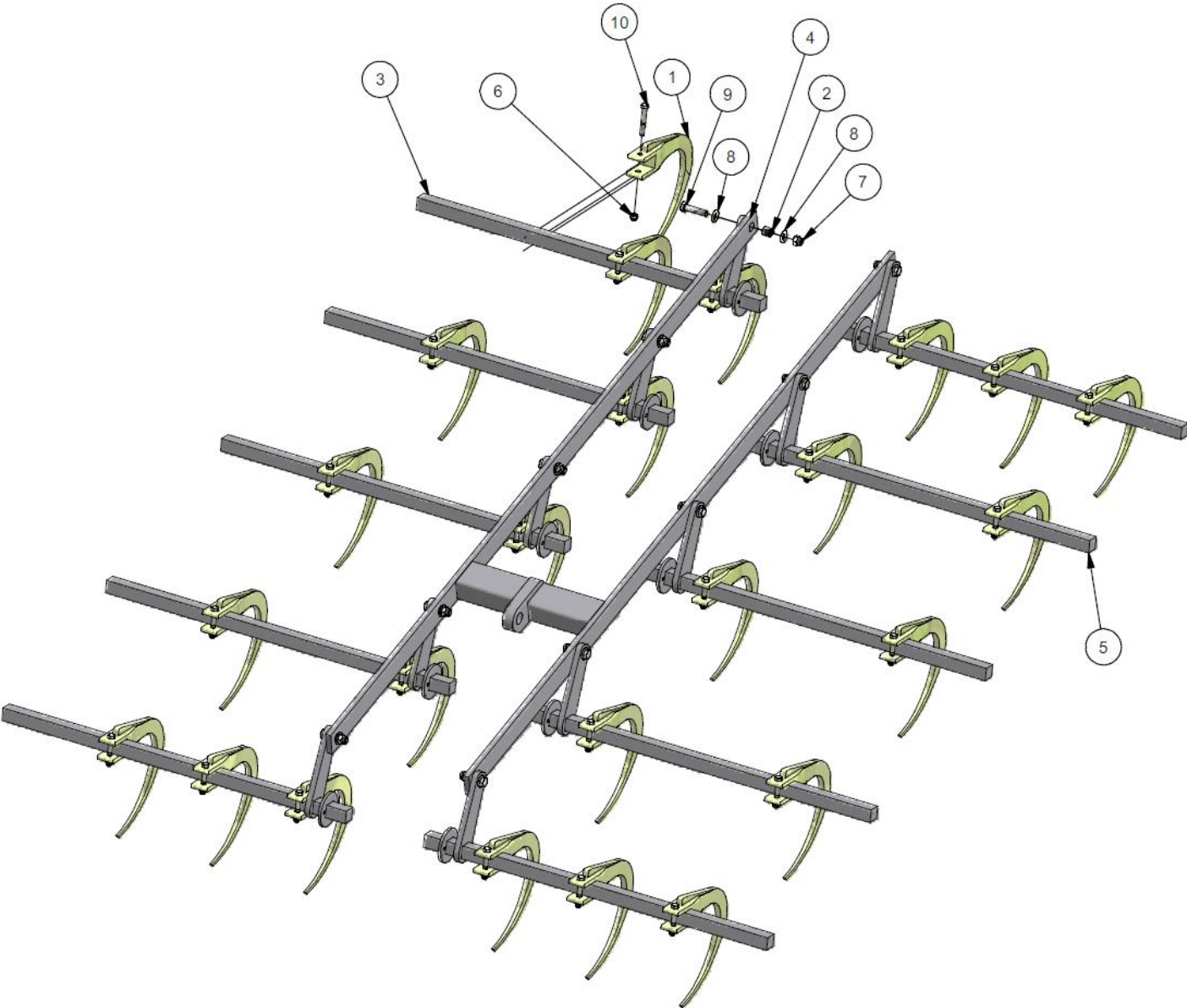
Accumul8+4 Grabber Frame



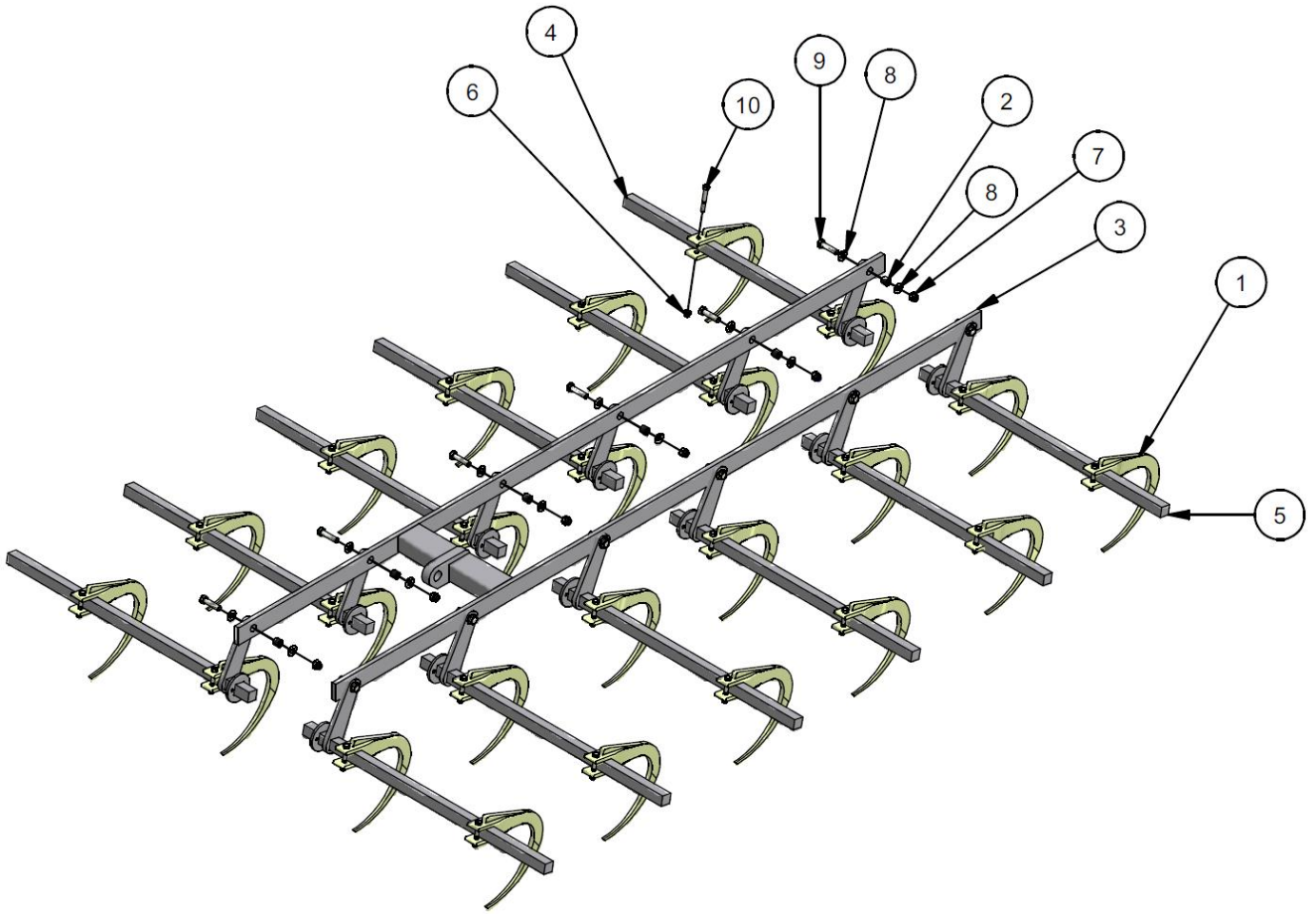
Item	Qty	Part #	Description
1	48	AC-0006G-004	Plastic Bushing
2	1	AC-1206-AG-01	Frame
3	6	Ac-1206-AG-03	Left Grabber Pivot
4	6	AC-1206G-05_MIR	Right Grabber Pivot
5	48	Obtain Locally	LN 1/4 Lock Nut
6	24	Obtain Locally	HB 1/4 X 2 1/4 Hex Bolt
7	24	Obtain Locally	HB 1/4 X 2 1/4 Hex Bolt



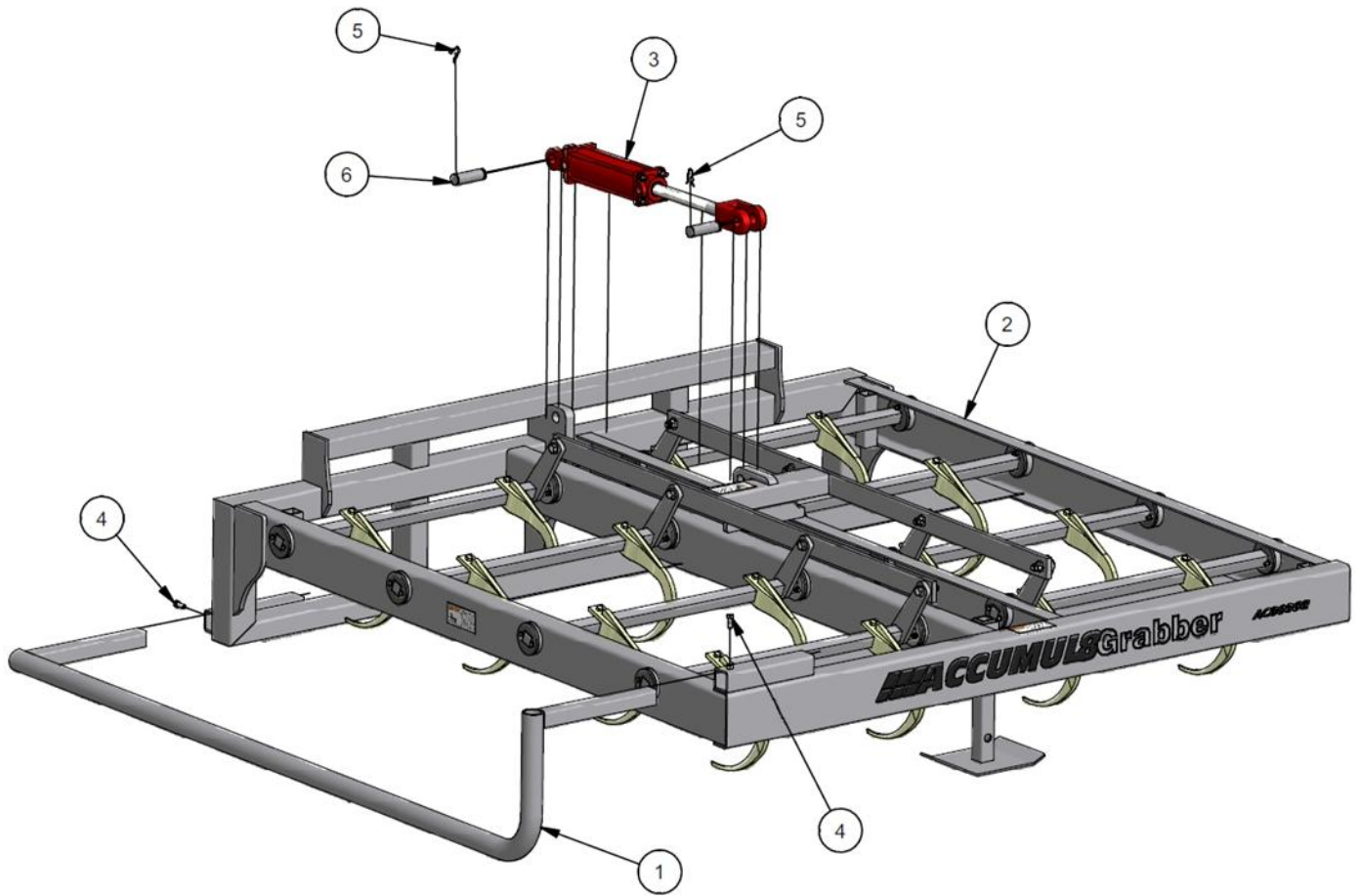
Item	Qty	Part #	Description
1	16	AC-0006G-005	Hook
2	8	AC-0006G-008	Bushing
3	1	AC-0806G-AG-02	Cylinder Mount
4	4	AC-0806G-AG-03	Left Grabber Pivot
5	4	AC-0806G-AG-04	Right Grabber Pivot
6	16	Obtain Locally	LN 3/8 Lock Nut
7	8	Obtain Locally	LN 1/2 Lock Nut
8	16	Obtain Locally	FW 1/2 Flat Washer
9	8	Obtain Locally	HB 1/2 X 2 Hex Bolt
10	16	Obtain Locally	HB 1/2 X 2 1/2 Hex Bolt



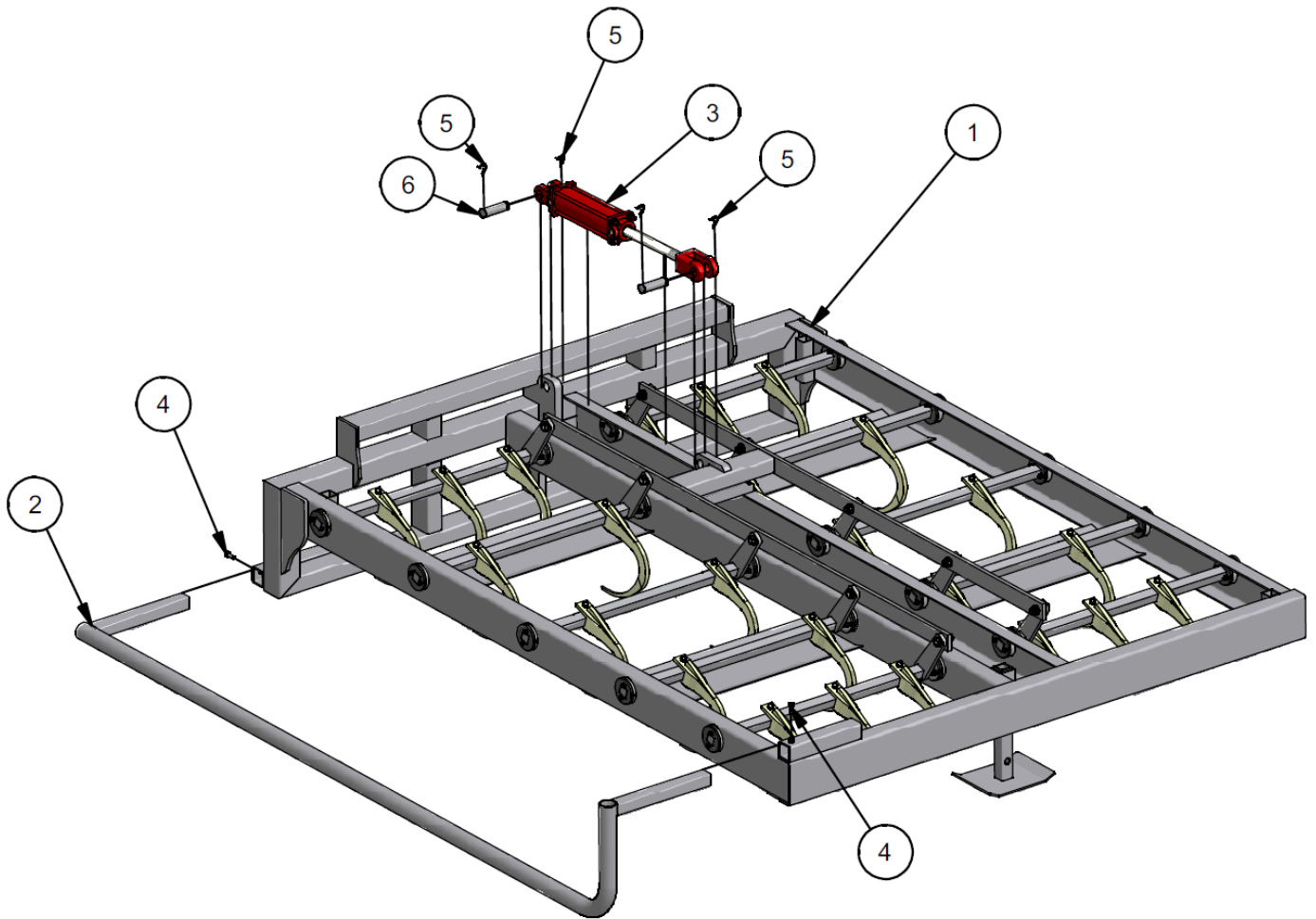
Item	Qty	Part #	Description
1	24	AC-0006G-005	Hook
2	10	AC-0006G-008	Bushing
3	5	AC-0806G-AG-03	Left Grabber Pivot
4	1	AC-0806G-AG-02	Cylinder Mount
5	5	AC-0806G-AG-05	Right Grabber Pivot
6	24	Obtain Locally	LN 3/8 Lock Nut
7	10	Obtain Locally	LN 1/2 Lock Nut
8	20	Obtain Locally	FW 1/2 Flat Washer
9	10	Obtain Locally	HB 1/2 X 2 Hex Bolt
10	24	Obtain Locally	HB 1/2 X 2 1/2 Hex Bolt



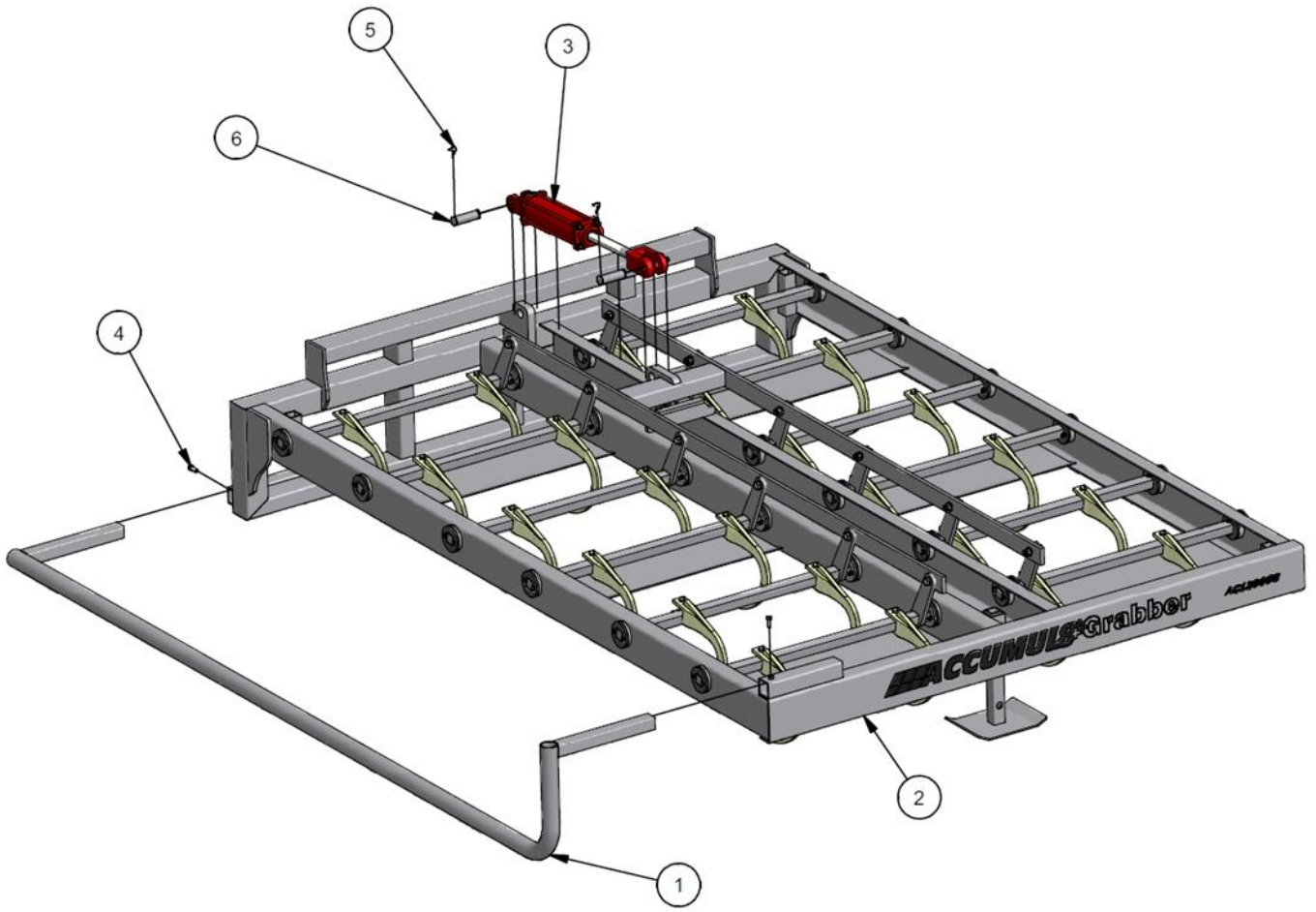
Item	Qty	Part #	Description
1	24	AC-0006G-005	Hook
2	12	AC-0006G-008	Bushing
3	1	AC-0806G-AG-02	Cylinder Mount
4	6	AC-0806G-AG-03	Left Grabber Pivot
5	6	AC-0806G-AG-05	Right Grabber Pivot
6	24	Obtain Locally	LN 3/8 Lock Nut
7	12	Obtain Locally	LN 1/2 Lock Nut
8	24	Obtain Locally	FW 1/2 Flat Washer
9	12	Obtain Locally	HB 1/2 X 2 Hex Bolt
10	24	Obtain Locally	HB 1/2 X 2 1/2 Hex Bolt



Item	Qty	Part #	Description
1	1	AC-0006G-02	Bale Guide
2	1	AC-0806G-AG-01	Frame
3	1	CYL-25008-03-00	2 1/2 X 8 Cylinder
4	2	Obtain Locally	HB 3/8 X 1 Hex Bolt
5	4	Obtain Locally	3/4 ID Hair Pin Cotter
6	2	Obtain Locally	Cylinder Pin
38	1	Obtain Locally	Stand Pin
39	1	Obtain Locally	1/4" Lock Pin
40	3	Obtain Locally	Fall/Slip Hazard Decal

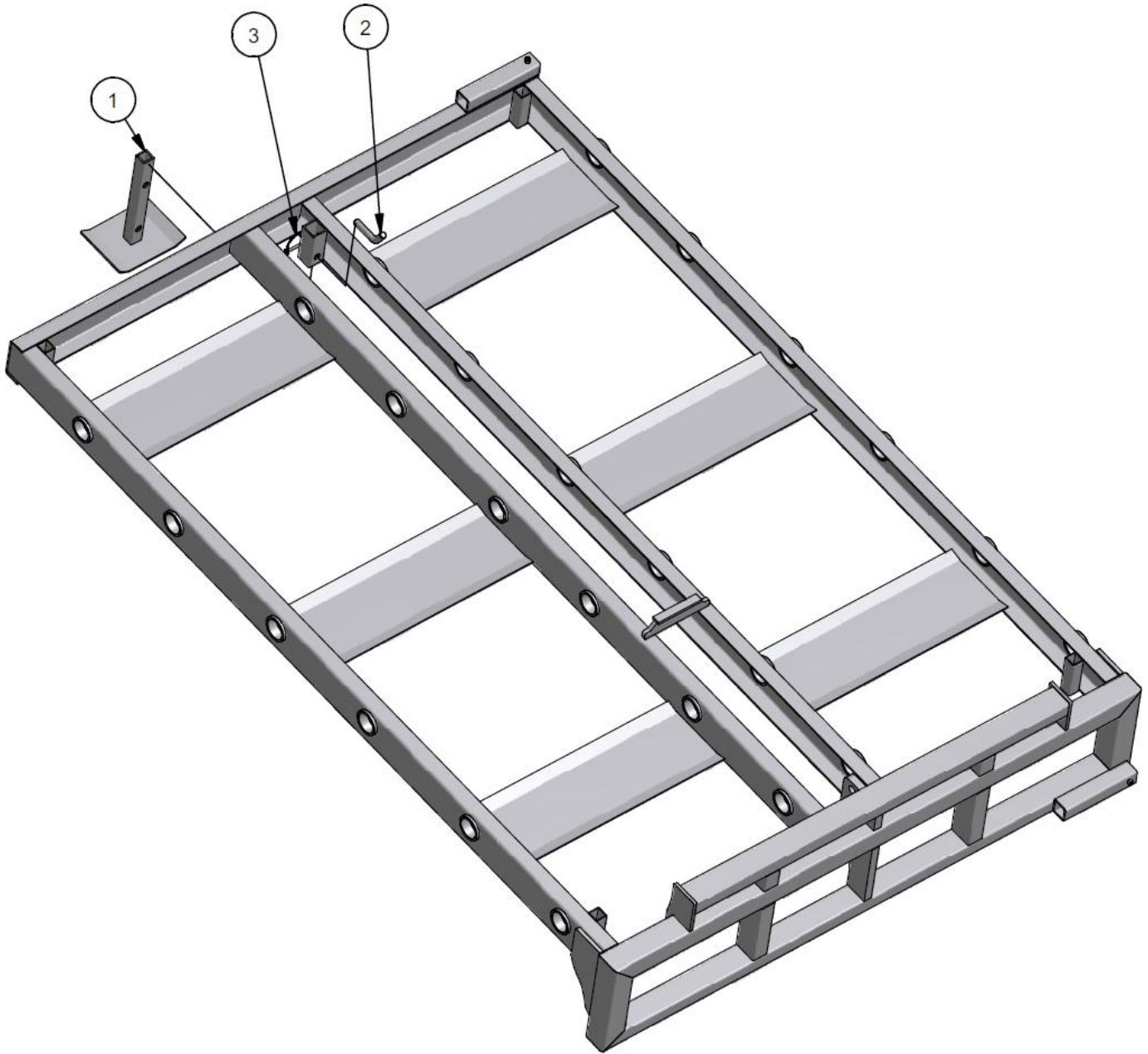


Item	Qty	Part #	Description
1	1	AC-1006G-AG-01	Frame
2	1	AC-100GAG-04	Bale Guide
3	1	CYL 25008-03-00	Cylinder
4	2	Obtain Locally	HB 3/8 X 1 Hex Bolt
5	4	Obtain Locally	3/4" Hair Pin Cotter
6	2	Obtain Locally	Cylinder Pin



Qty	Item	Part #	Description
1	1	AC-0006G-05	Bale Guide
2	1	AC-1206G-AG-01	Frame
3	1	CYL 25008-03-00	Cylinder
4	2	Obtain Locally	HB 3/8 X 1 Hex Bolt
5	4	Obtain Locally	3/4" Hair Pin
6	2	Obtain Locally	Cylinder Pin

Transport Stand



Item	Qty	Part #	Description
1	1	AC-0006G-03	Stand
2	1	AC-0006G-011	Stand Pin
3	1	Obtain Locally	1/4" Lock Pin

SECTION 2

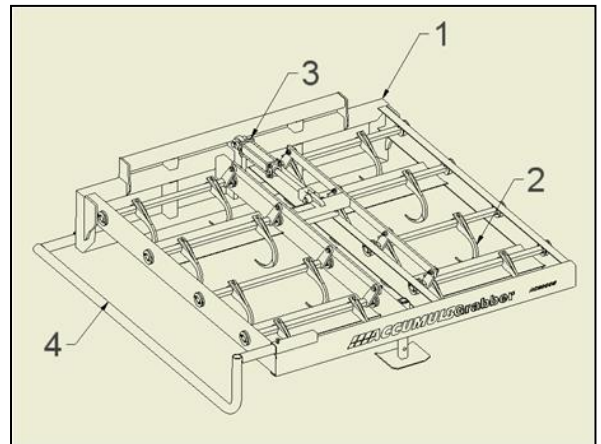
General Information

Accumul8 Grabber

The Accumul8 Grabber consists of the main components listed below. The Accumul8 Grabber, is usually attached to the front end of a tractor, via the loader arms, and is powered by hydraulic pressure from the tractor, to power the Accumul8's hooks.

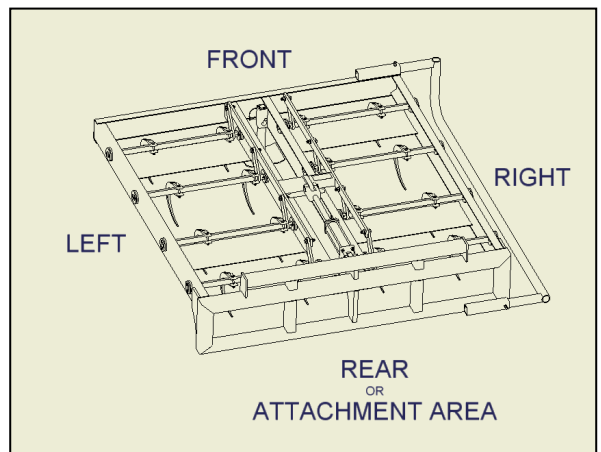
Principle Components

1. Frame
2. Hooks
3. Hydraulic cylinder
4. Bumper



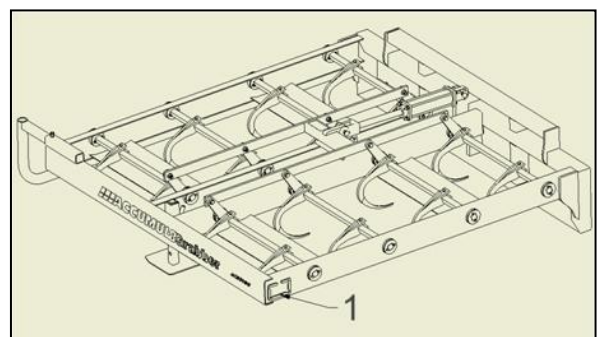
Accumul8 Terminology

1. Front- as seen in picture
2. Rear – as seen in picture
3. Left side- as seen in picture
4. Right side or Bumper side



Product Identification

The P.S.N stamped on the metal tag(1), is located on the front of the Accumul8 Grabber.

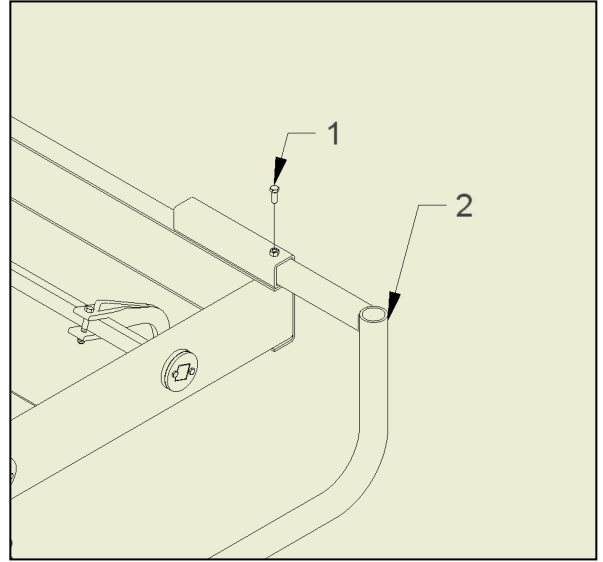
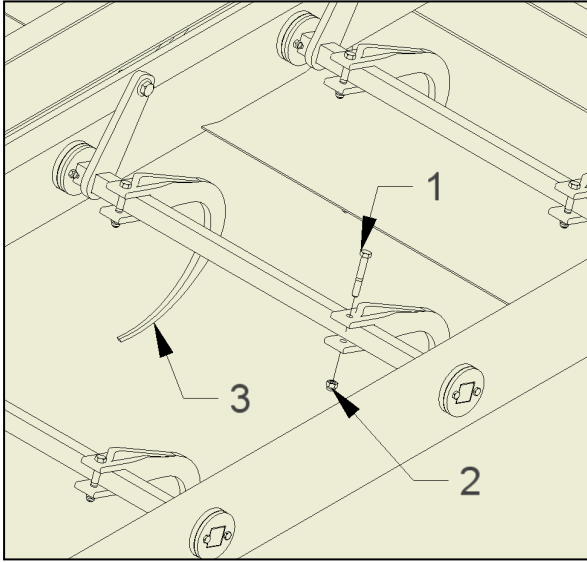


Initial Setup

When you first receive your Accumul8 Grabber it may be necessary to adjust the hooks and the bumper depending on your bale size to receive optimal performance.

Adjusting the hooks and bumper.

1. Loosen 3/8 bolts (1), and 3/8 lock nut(2) and adjust according to the size of bale you will be operating with, and then retighten.
2. Loosen 3/8 set bolt (1), and adjust bumper (2), according to the size of bale you will be operating with, and then retighten.



Before Transporting

1. Do a complete walk visual check to be sure there are no loose parts or components.
2. Do a visual check of all hoses, to make sure they are securely tied, so they will not pinch or drag during transporting.

Transport Safety

1. When transporting the Accumul8 Grabber on the road be aware of the width, and length of the Accumul8 Grabber.
2. Do not transport the machine at night, dawn, or at dusk.

Section 3 Operation

Initial Start-up

1. Apply hydraulic pressure.
2. Engage and disengage hooks.



Engage the parking brake on the tractor, shut the engine down, and wait for all moving parts to stop before leaving the cab. Failure to comply could result in death or serious injury.

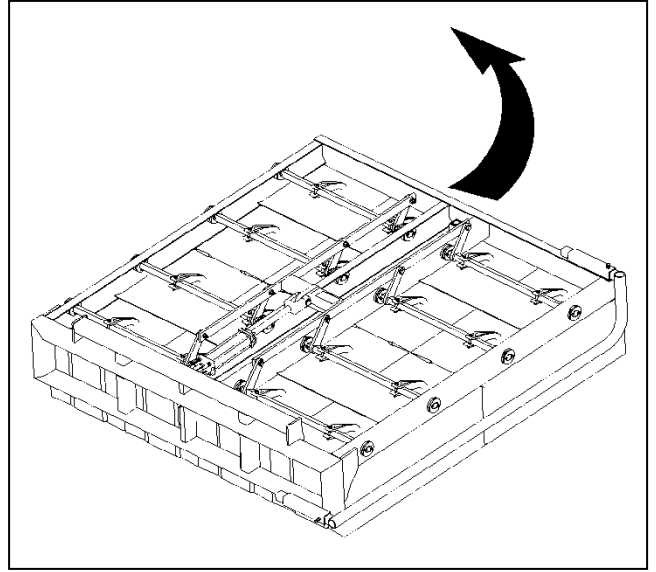
3. Check for loose or missing nuts and bolts. Tighten any that are loose and replace any missing fasteners.
4. Check all hydraulic hoses and fittings to be sure they are tight and that no hose damage has occurred. Repair or replace any damaged parts before starting the machine.



Do not run with defective hoses or fittings. Make sure that there is no pressure in the lines before checking or repairing. High-pressured hydraulics can cause death or serious injury.

Loading Bales

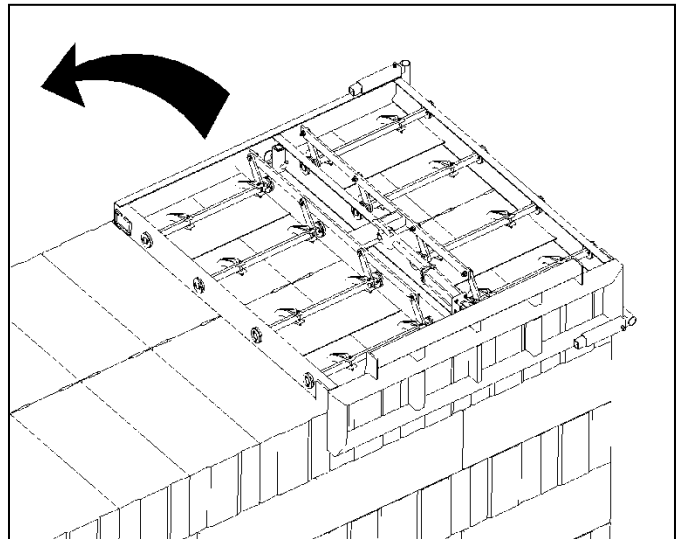
1. With a plot of bales on the ground place the Accumul8 Grabber on top and apply pressure forward and left of the bales. *(this will ensure that the bales are being pushed by the bumper bar, and pushed into each other, to form a tight pack.)*
2. Engage hooks.



Unloading Bales

With the pack of bales secured in the grabber place baled into desired location but with slight pressure forward and to the left. *(this will ensure you have a tight pack).*

1. Disengage Hooks.



Section 4 Maintenance



Before performing any adjustments or maintenance on
The Accumul8 Grabber observe these precautions:

1. Turn off tractor and release hydraulic pressure.

Daily Maintenance

Careful inspection and service of the Accumul8 Grabber, prior to operation each day will prevent needless breakdowns, and delays in the field. Make the following checks and adjustments.

1. Be alert for loose hardware and tighten or replace as required

Preseason Service

Prior to beginning the harvest, after offseason storage, take the following steps to be certain the Accumul8 Grabber is in good condition.

Tighten or replace any missing fasteners.

End of Season Service

Prior to storing the Accumul8 Grabber during off season, follow these steps to ensure longer life for the Accumul8 Grabber.

Remove all crop material from the grabber.

