



Prices Effective as of 9-23

Freedom

Setting new standards in 15" row corn harvesting

The Freedom corn head is designed for harvesting 15" row spacing. These narrow row spacings allow for multiple uses of the planters. The farmer uses one machine for planting corn, soybeans, field beans, sunflowers and canola, thus saving on equipment costs. The narrower row spacing also causes the canopy to close more quickly, preventing weed growth and erosion. The Freedom corn head is available with either North Star* or Rota Disc row units.

Quick Facts

- Spring loaded divider tips for optimum contouring
- Electric deck plate adjustment with self cleaning function
- Height adjustable end row augers
- Stainless steel wear strips on poly
- LED Illumination kit
- Hydraulic block single point connection
- Additional hydraulic block for Lexion combines necessary (surcharge +\$3,000)
- Additional adaption for John Deere X9 combines necessary (surcharge +\$4,990)

Options

- Headsight header height & lateral tilt control
- ICF Sweeper
- Less End Row Augers (-\$2,600)
- IDEAL AutoDock (surcharge +\$4,792 for single drive, +\$8,430 for double drive)



Prices and Specifications may be subject to change without notice. Prices do not include shipping or setup.

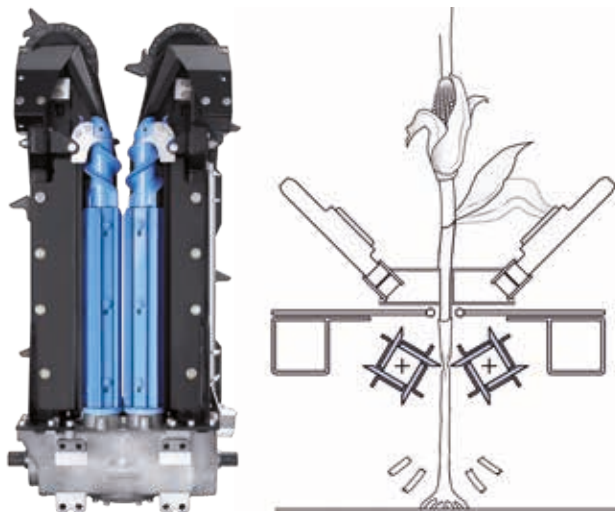
Freedom RD (Rota Disc Processing)

Model	Description	Weight	Suggested Retail
FR 1215B	12 Row 15"	6750	\$ 232,940
FR 1615B	16 Row 15"	8320	\$ 294,750
FR 2415B	24 Row 15"	12,430	\$ 425,700

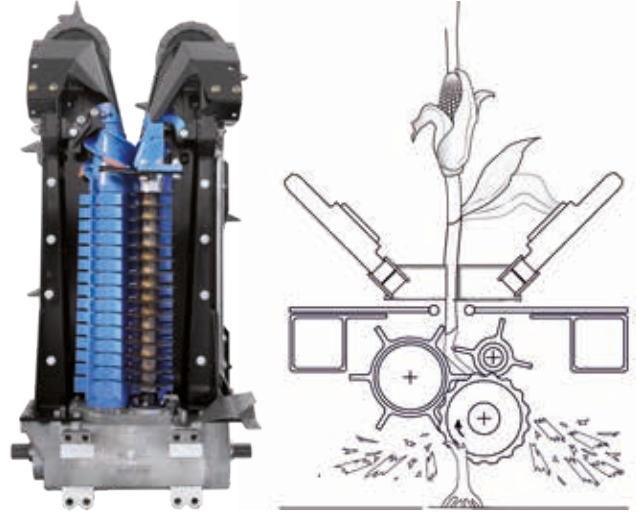
Freedom NS (North Star* Processing)

Model	Description	Weight	Suggested Retail
FN 1215B	12 Row 15"	6350	\$ 183,200
FN 1615B	16 Row 15"	7790	\$ 230,580
FN 2415B	24 Row 15"	11,640	\$ 331,230
FN 3215B	32 Row 15"	16,170	\$ 423,960

Corn head freight: \$1,000 for US shipments, \$1,200 for Canada shipments.
 Hillside option available. Call for quote.
 XDC Rolls not available for Freedom



Freedom NS



Freedom RD

