

# ELSTON

## Gopher Getters



## Parts List for GA-700

**Please Contact Us for Parts and Service:**

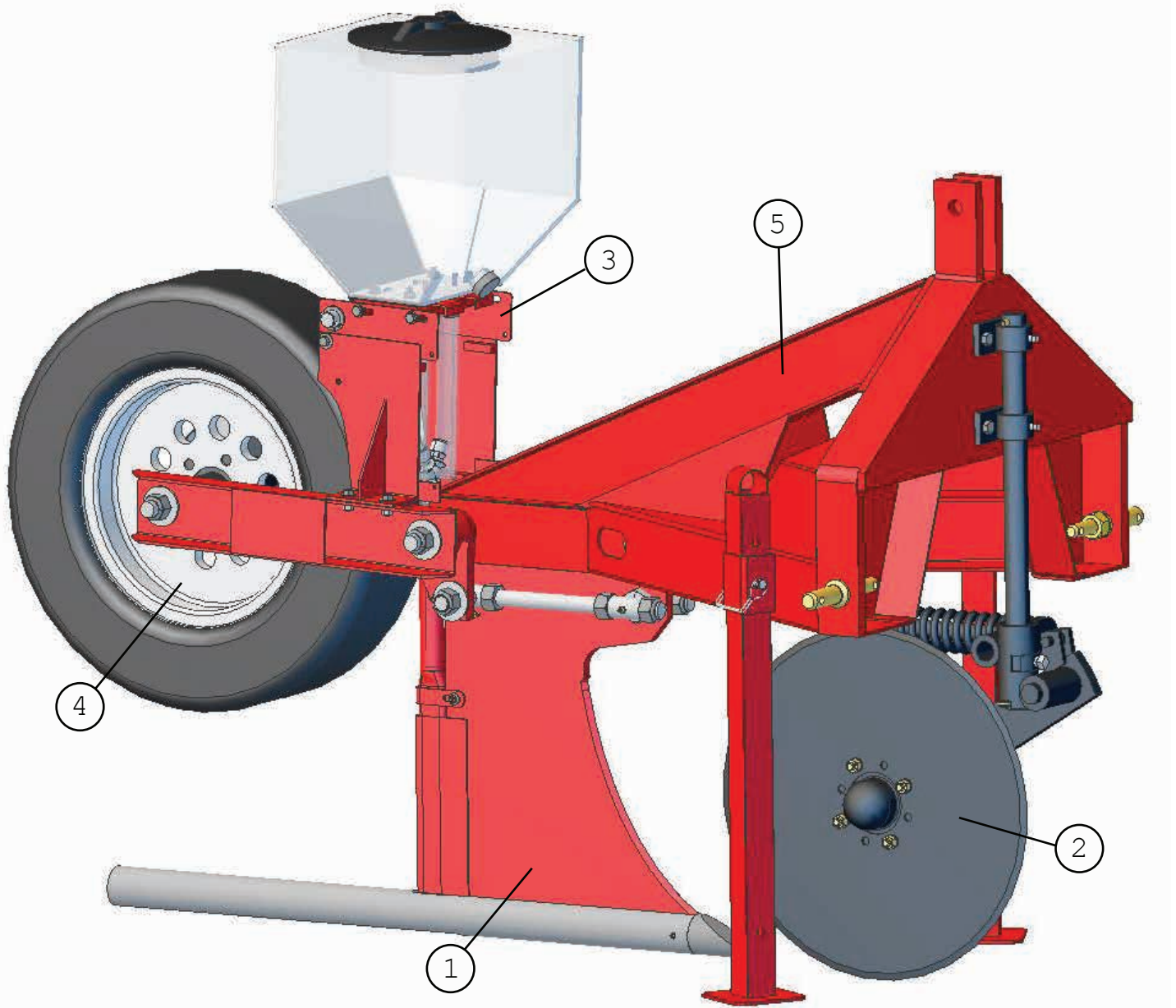
**Another Quality Product of:**



**ELSTON MANUFACTURING INC.**

**706 N Weber  
Sioux Falls, SD 57103  
www.elstonmfg.com  
1-800-845-1385**

**Revision J  
Updated 2016**



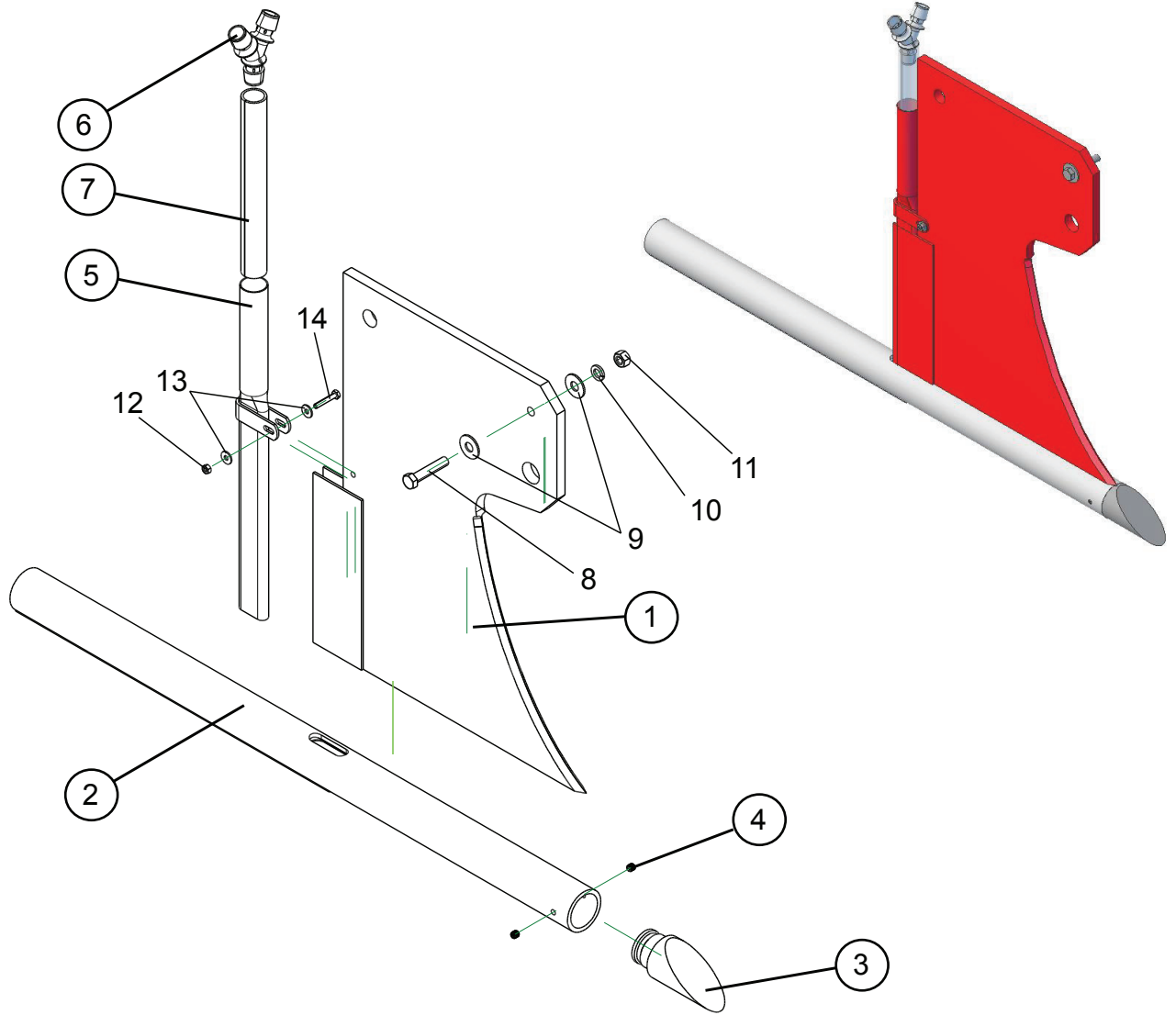
**Assemblies**

Ref #	Name	Page #
1	Knife Assembly	G2
2	Coulter Assembly	G3
3	Seeder Assembly	G4
4	Packer Wheel Assembly	G5
5	Frame Assembly	G6

**Please Call Elston Manufacturing for information on purchasing gopher bait (poison).**

Parts List for GA-700

Knife Assembly

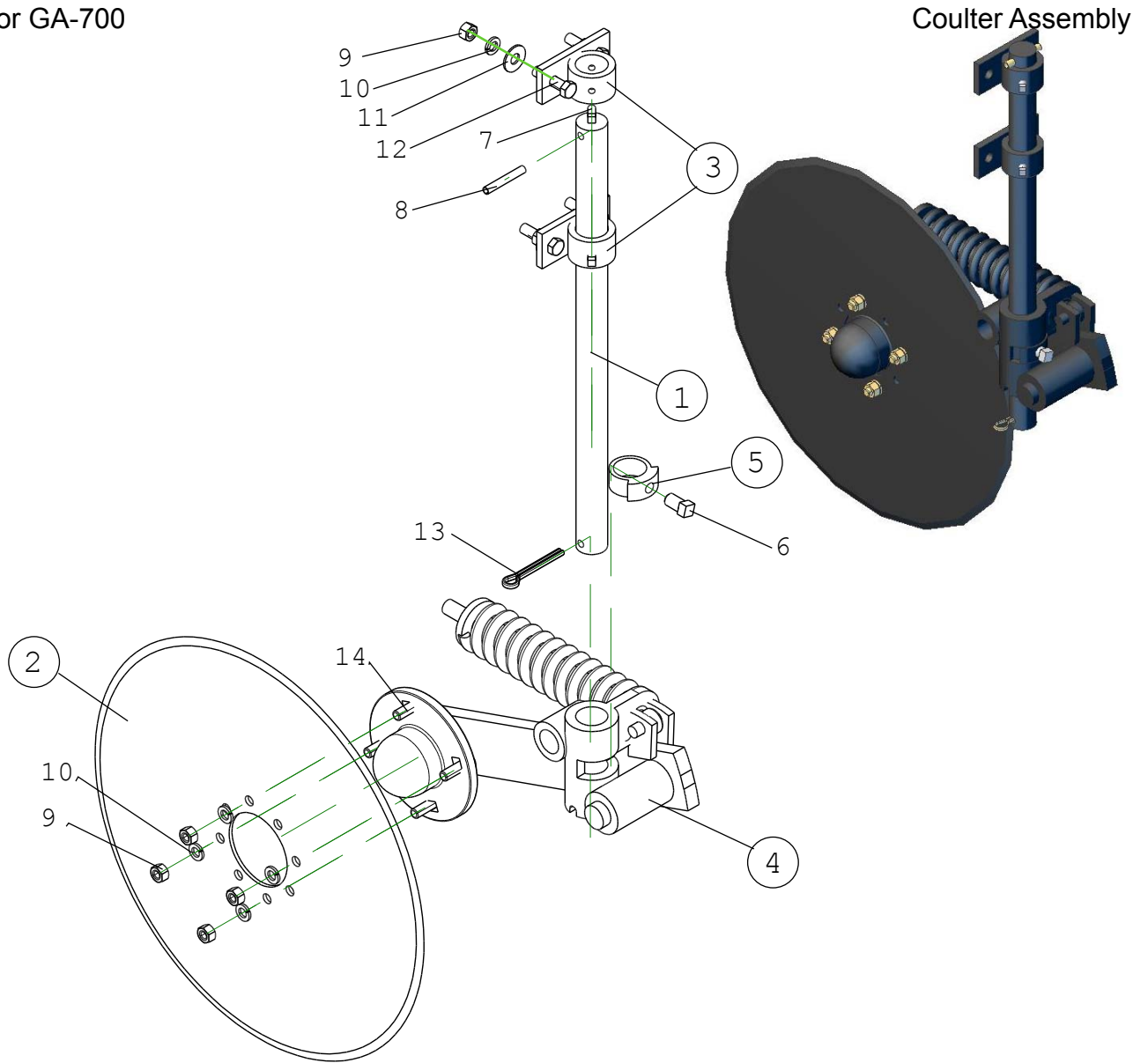


Ref #	Name	Part #	Ref #	Description
1	Knife - Elliptical Arc	G7-103	8	1/2"-13 x 2 1/2" Hex Head Bolt (Grade 2)*
2	Torpedo Tube	G7-102	9	1/2" Washer
3	Torpedo Point	G1-105	10	1/2" Lock Washer
4	3/8"-16 x 3/8" Set Screw	G1-143	11	1/2" Hex Nut
5	Seeder Tube	G7-104	12	1/4"-20 Prevailing Torque Lock Nut
6	Barbed Wye Connector	G7-423A	13	1/4" Washer
7	Plastic Hose	G4-122	14	1/4"-20 x 1 1/2" Hex Head Bolt
1-5, 12-14	Knife Assembly (complete)	G7-100		

\* This bolt must be grade 2 (or softer). It is designed as a shear bolt to prevent damage when hitting underground obstructions. Using a harder bolt could result in expensive repairs.

All hardware listed is coarse thread (UNC) and Grade 5 or better unless otherwise noted.

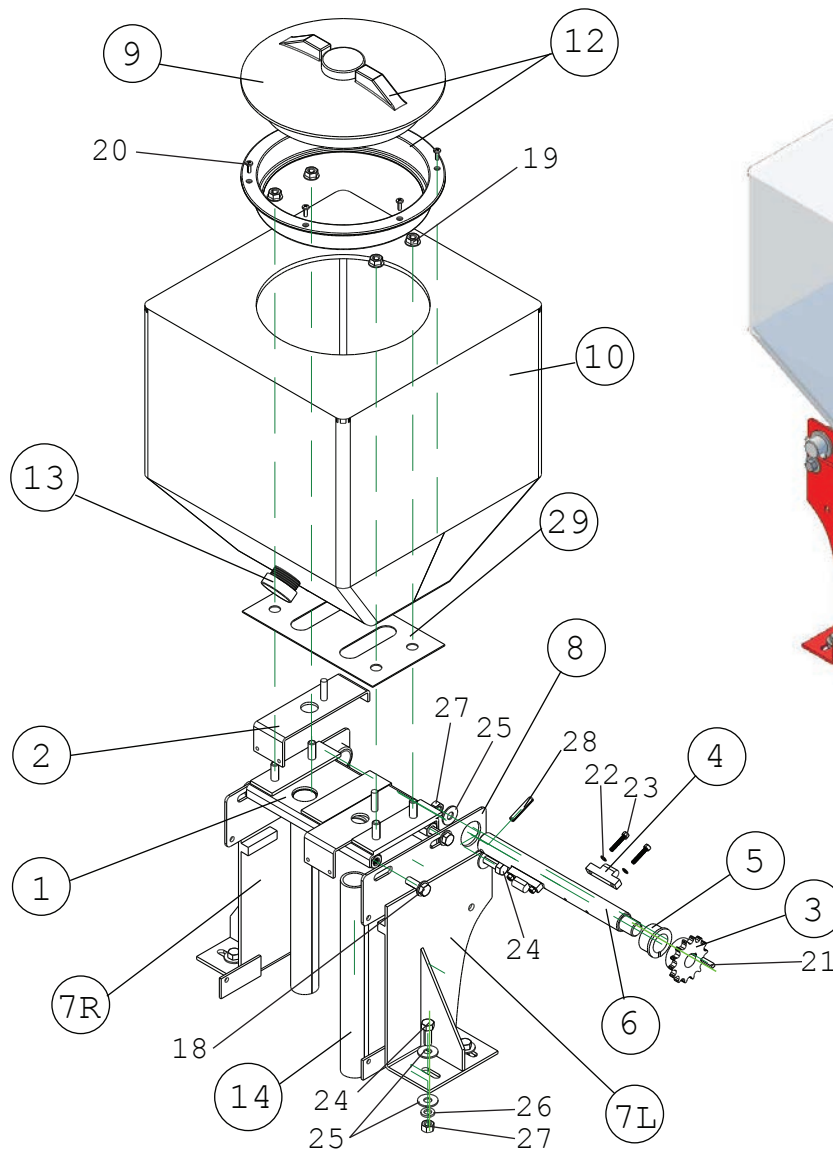
Parts List for GA-700



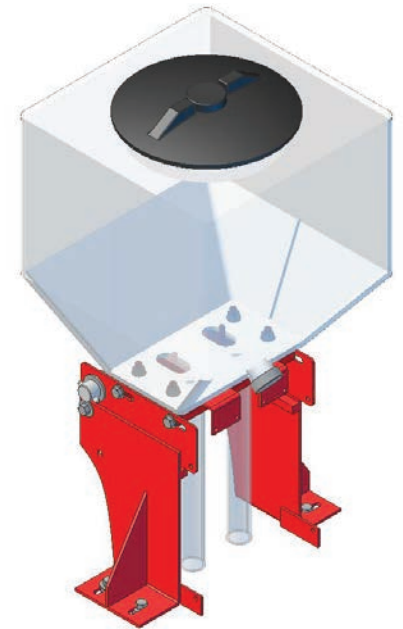
Ref #	Name	Part #	Ref #	Description
1	Coulter Shank	G7-204	6	5/8"-11 x 1" Square Hd Set Screw
2	Coulter Blade - 22"	G7-203	7	3/8"-16 x 3/4" Sq Hd Set Screw
3	Coulter Shank Clamp	G7-208	8	3/8" x 2 1/2" Roll Pin
4	Single Arm Coulter	G7-201	9	1/2"-13 Hex Nut
5	2975 Locking Collar	G7-201-19	10	1/2" Lock Washer
1-5, 6-14	Coulter Assembly	G7-200	11	1/2" Washer
			12	1/2"-13 x 2" Hex Head Bolt
			13	5/16" x 2 1/2" Cotter Pin
			14	1/2"-13 x 1 1/4" Cage Bolt

All hardware listed is coarse thread (UNC) and Grade 5 or better unless otherwise noted.

# Parts List for GA-700



# Seeder Assembly



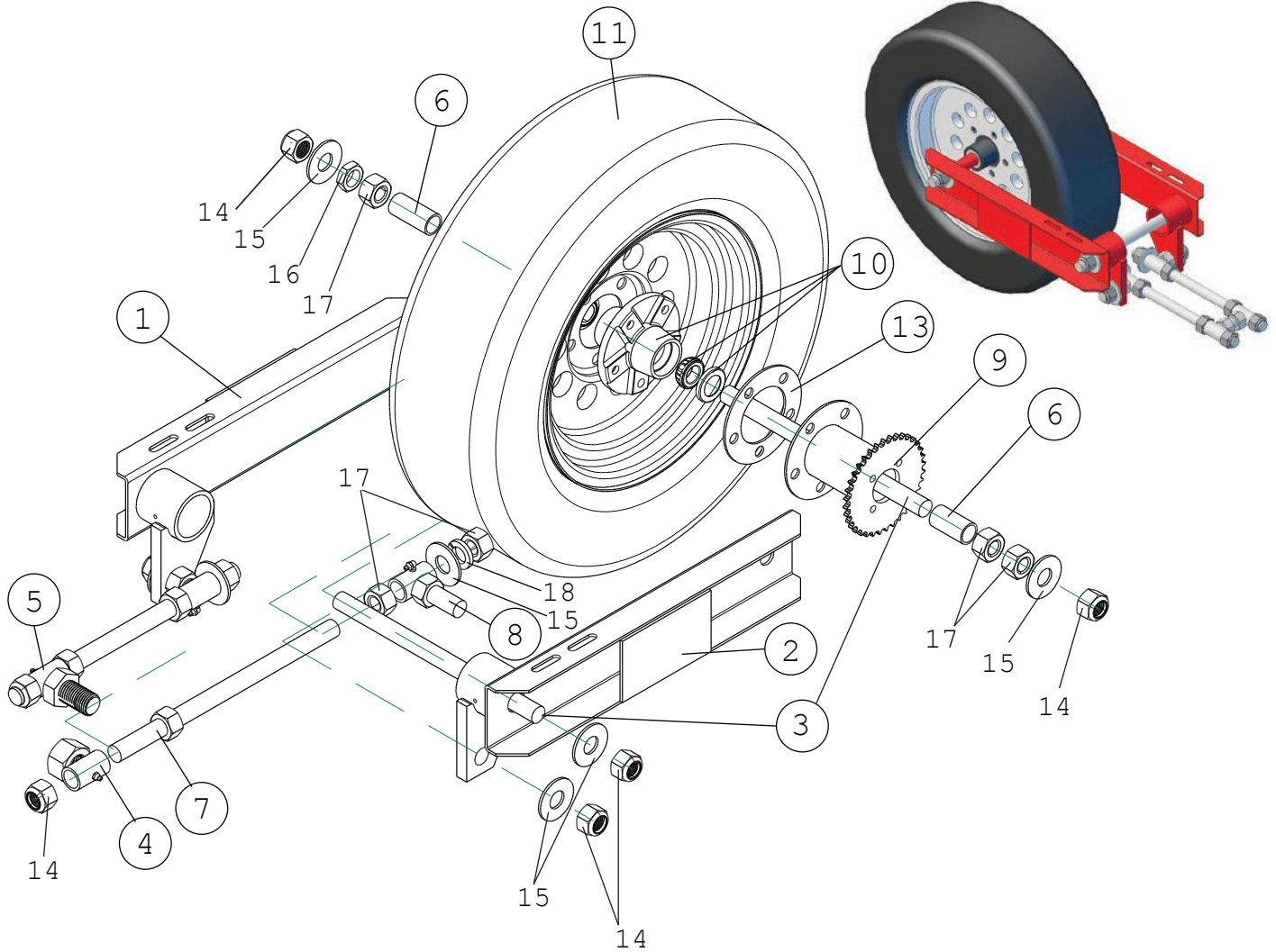
Ref #	Name	Part #
1	Seeder Base Assembly	G7-414A
2	Seeder Slide & Pin	G7-413
3	Drive Gear	G4-203
4	Tripper	G7-418
5	Axle Bushing	G3-324
6	Seeder Drive Axle	G7-419
7L	Seeder Mntg Bracket - Left	G7-417
7R	Seeder Mntg Bracket - Right	G7-417
8	Side Adjustment Plate	G7-416
9	Plastic Bait Box Lid	G4-234P
10,13	Plastic Bait Box	G7-434P
11	Lid Retaining Strap (Not Shown)	G4-233P
12	Plastic Bait Box Lid Assy	G4-231P
13	Drain Cap	G4-221P
14	Plastic Hose	G4-122
10-13,19,20	Plastic Bait Box Assembly	G7-435P
29	GA-700 Bait Spacer Plate	G7-408B

Ref #	Name	Part #
15	Seeder Box Spring (Not Shown)	G7-433
16	Seeder Slide Spring (Not Shown)	G7-429
17	Chain Guard (Not Shown)	G7-411
1-29	Seeder Assembly	G7-400

Ref #	Description
18	3/8"-16 x 1" Wislock Hex Bolt
19	3/8"-16 Wislock Hex Nut
20	#8 1/2" Sheet Metal Screw
21	9/16" of 3/16" Square Key Stock
22	#10 Internal Locking Washer
23	#10-24 1" Soc Hd Cap Screw (Use LocTite)
24	3/8"-16 x 1" Hex Head Bolt
25	3/8" Washer
26	3/8" Lock Washer
27	3/8"-16 Hex Nut
28	1/4" x 1 1/2" Slotted Spring Pin

Parts List for GA-700

Packer Wheel Assembly



Ref #	Name	Part #
1	Packer Wheel Swing Arm-Right	G7-301R
2	Packer Wheel Swing Arm-Left	G7-301L
3	Swing Arm & Packer Wheel Axle	G7-304
4	Lift Arm Connecting Nut Assy	G7-308
5	Lift Arm Connecting Bolt Assy	G7-309
6	Packer Wheel Hub Spacer	G7-310
7	Packer Wheel Adjustment Rod	G7-311
8	Lift Arm Link	G7-312
9	36 Tooth Sprocket Assembly	G7-314
10	Bearing & Hub Assembly	G7-317
11	Tire & Wheel Assembly	G7-318
12	Chain (Not Shown)	G7-321
13	Hub Spacer Flange	G7-438

Ref #	Name	Part #
14	1"-8 Nylock Hex Head Nut	
15	1" Fender Washer	
16	1"-8 Hex Jam Nut	
17	1"-8 Hex Nut	
18	1" Lock Washer	
1-18	Packer Wheel Assembly	G7-300

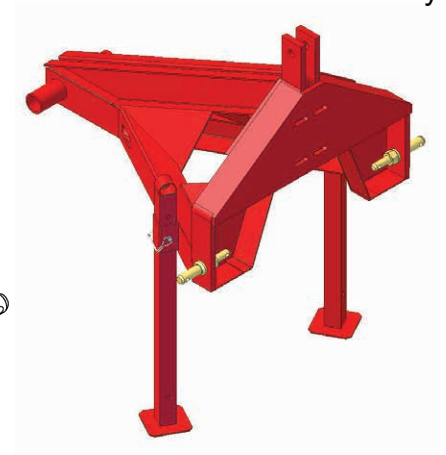
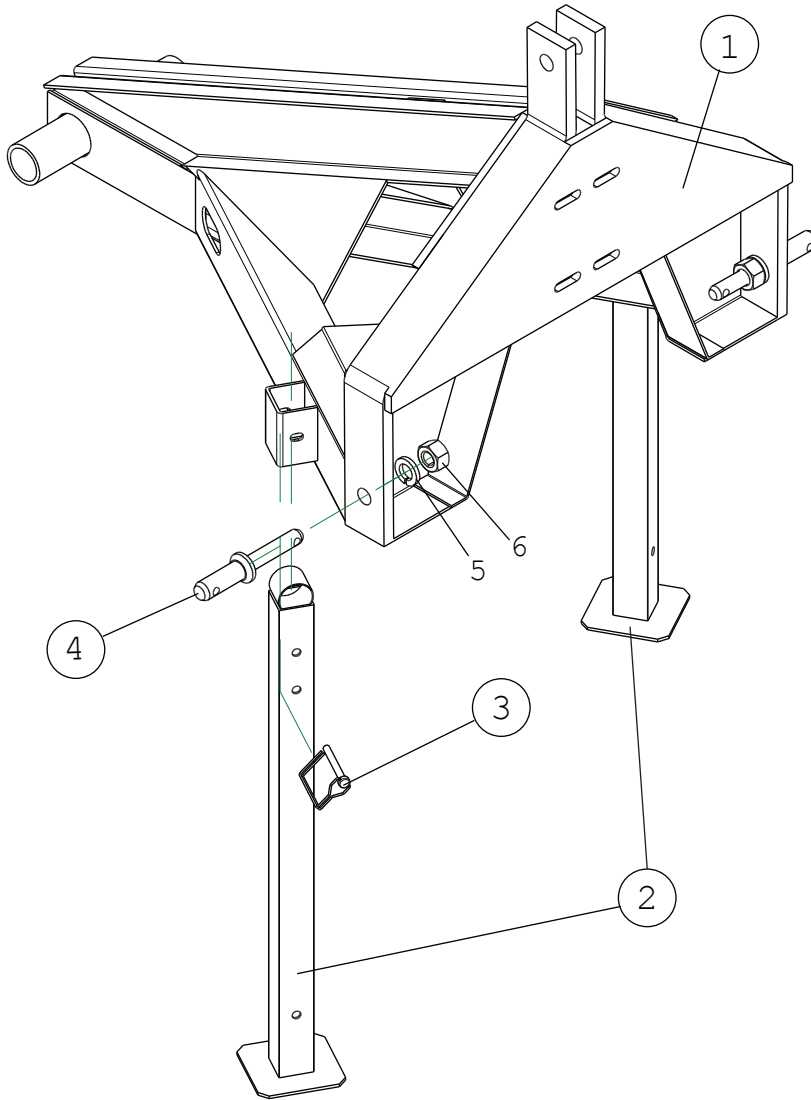
All hardware listed is coarse thread (UNC) and Grade 5 or better unless otherwise noted.

G5

\*Not Available Separately

Parts List for GA-700

Frame Assembly



Ref #	Name	Part #	Ref #	Description
1	Frame	G7-500	5	1"-8 Hex Head Nut
2	Leg Stand	G8-502	6	1" Lock Washer
3	Snap In Pin for Legs	G7-526		
4-6	3 Point Pin	G7-520		

All hardware listed is coarse thread (UNC) and Grade 5 or better unless otherwise noted.



**ELSTON MANUFACTURING INC.**

706 N. Weber Ave. **1-800-845-1385**

Sioux Falls, SD 57103

[www.elstonmfg.com](http://www.elstonmfg.com)