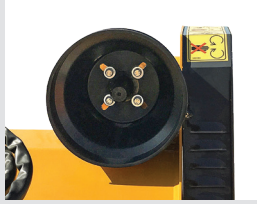


# FERRI

SIMPLY. THE MOWER



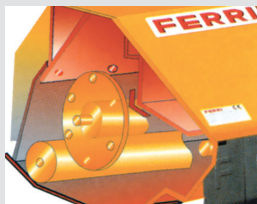
**OFFSET/IN-LINE SLOPE MOWERS  
SPECIFICALLY DESIGNED  
FOR COMPACT TRACTORS**



Gearbox inside the drive housing.



Internal rotor bearing.



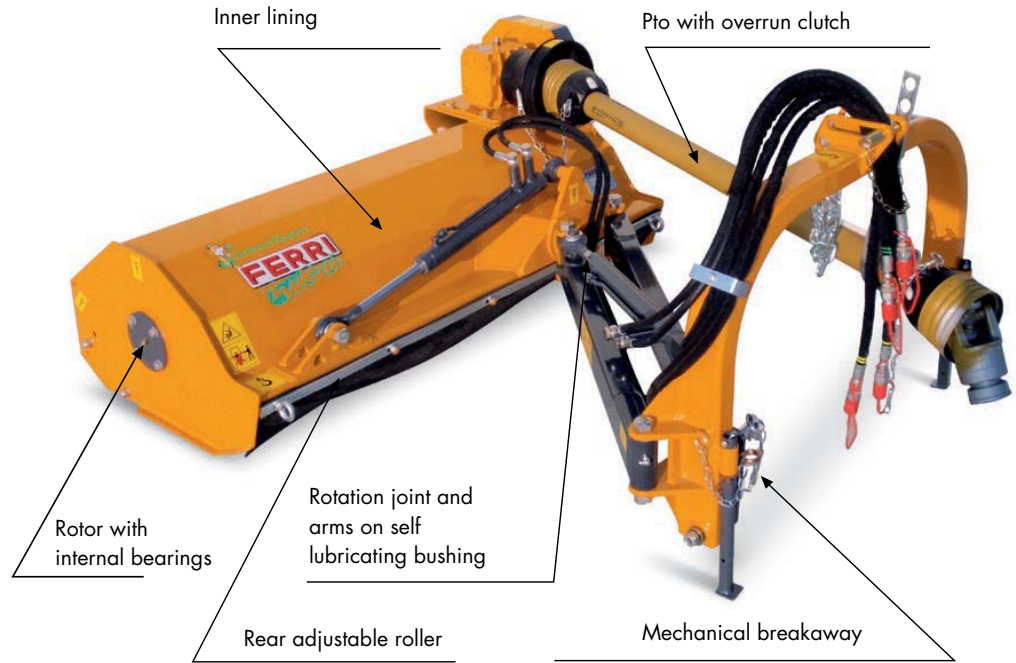
Inner lining.



Mechanical breakaway.

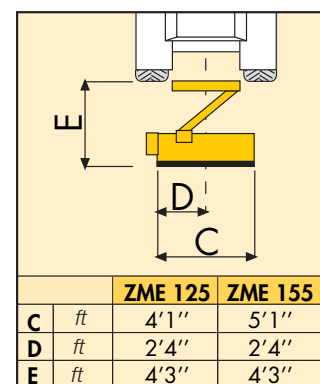
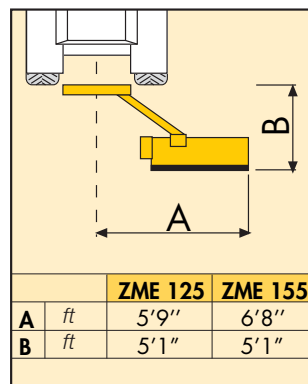
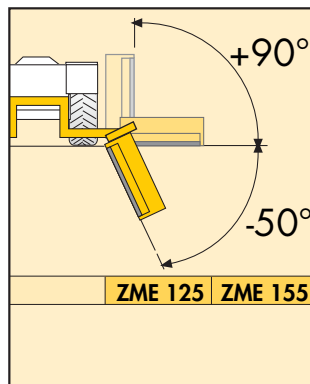


Rotor with internal sealed bearings



HP Tractor	18	25	30	40	Min. tractor weight lbs	Min. tractor width ft.
ZME125					1555	3'7"
ZME155					2000	3'11"

**Working positions (m)**



Prices and Specifications may be subject to change without notice. Prices do not include shipping or setup.



**Technical data**

Model	Cutting width	Max side-sliding*	Flail head angle		Weight	Three point linkage	Pto	Belts	Blade tip speed
	<i>ft.</i>	<i>ft.</i>	<i>degrees</i>		<i>lbs</i>	<i>Cat.</i>	<i>Rpm</i>	<i>n°</i>	<i>ft/sec</i>
ZME125	4'1"	5'9"	↓ 50°	90° ↑	511	I	540	3	150
ZME155	5'1"	6'8"	↓ 50°	90° ↑	575	I	540	3	150

\* Reach measured from tractor centre line to head edge.

SIMPLY. THE MOWER

**Equipped with:**

- Hydraulic sideshift cylinder
- Hydraulic cylinder for head positioning
- Rotation joint and arms on self lubricating bushing
- Rear adjustable roller Ø 4" – 3 positions
- Main housing with inner lining
- Front and rear protection of flail head
- Pto with overrun clutch
- Packaging

**Machines**

Model	Flails	Suggested Retail - \$
ZME125	56 Articulated "Y" blades	11,410
ZME155	72 Articulated "Y" blades	12,105

**Accessories at extra charge**

Model	Suggested Retail - \$
Kit distributor with floating - in case the tractor is not equipped with double acting valves (Code ZME12501)	1,680



Suitable for tractors equipped with 1 distributor with 2 double acting sections, one of which with floating. In case the tractor has only one acting, it will be necessary to fit the kit distributor with floating (see option.)

**Flails**

Articulated "Y" flails for grass and bushes Ø max 1'

Cod. 0901133



**WARNING**

It is RECOMMENDED that you connect the equipment to the tractor and start it up for the first time together with your Dealer, following the instructions and paying attention to the warnings indicated in our use and maintenance manual. If you require further information, please contact our after-sales service.

- Any Ferri offset mower ZME-ZTE-ZMTE-ZLE-ZHE will be supplied with parallel arms partially dismantled. Reassembling as per Ferri owner's manual will be at dealer's charge.
- Attachment to the tractor 3 point hitch, including PTO shaft fitting, also at dealer's charge.





SIMPLY. THE MOWER



# OFFSET/IN-LINE SLOPE MOWERS FOR AGRICULTURE AND GREEN AREAS



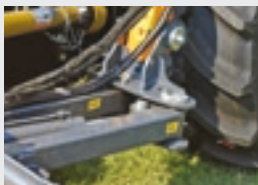
Hydraulic block tap for transport with manual activation (no chains or holders)



Mechanical block pin for transport (no chains or holders)



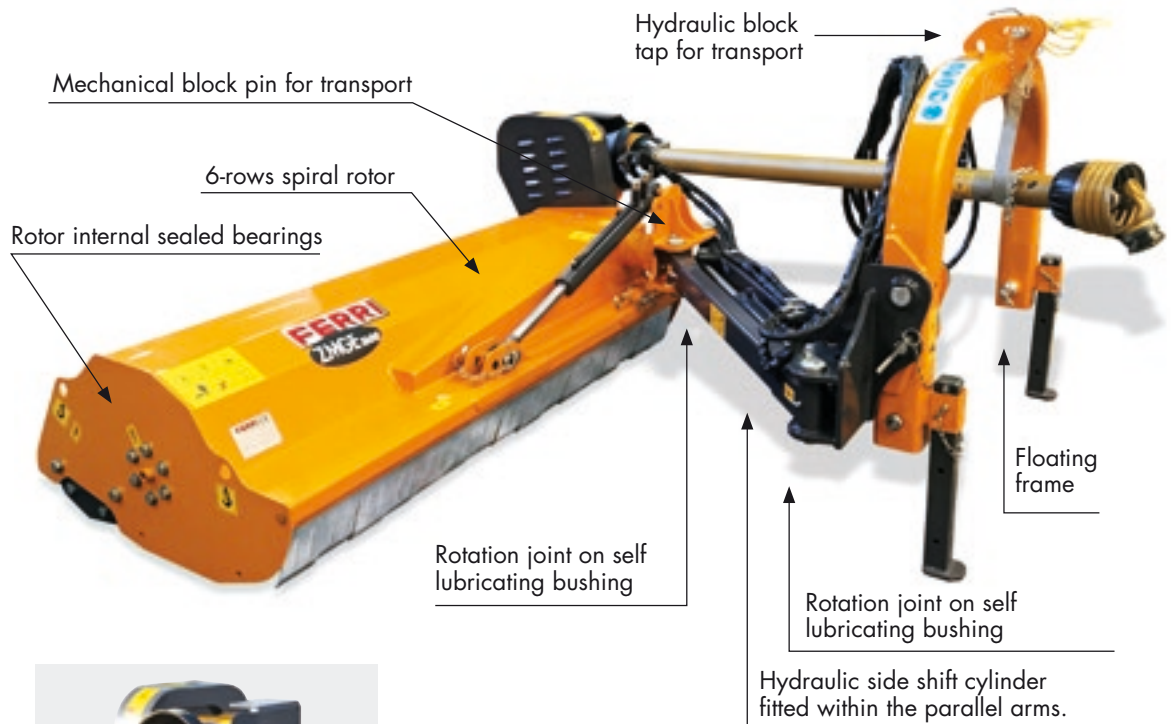
Floating frame following the ground contours



Hydraulic side shift cylinder fitted within the parallel arms for better protection during work.



Rotor internal sealed bearings

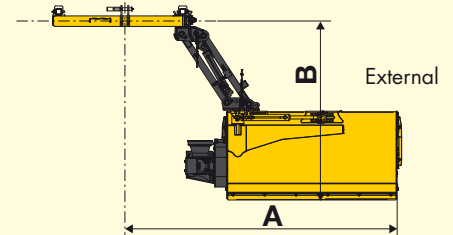
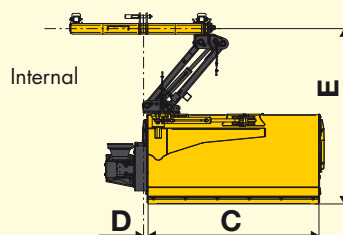
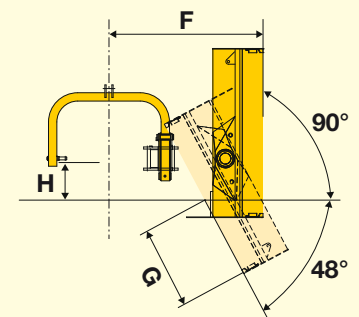


Gearbox unit outside the transmission cover (more offset and less PTO angle).

HP Tractor	40	50	60	70	Min. tractor weight lbs	Min. tractor width ft.
ZMGE 1400					3527	4' 11"
ZMGE 1600					3748	4' 11"

## Working positions: right hand linkage

	ZMGE1400	ZMGE1600
A ft	8'6"	9'2"
B ft	5'11"	5'11"
C ft	4'8"	5'4"
D ft	0'5"	0'5"
E ft	5'8"	5'8"
F ft	5'5"	5'5"
G ft	3'4"	4'
H ft	1'4"	1'4"





**TECHNICAL DATA**

Model	Cutting width	Max side-sliding*	Flail head angle		Weight	Three point linkage	Pto	Belts	Blade tip speed
	ft.	ft.	degrees						
ZMGE1400	8'6"	7'10"	↓ 48°	90° ↑	981	I - II	540	3	47
ZMGE1600	5'4"	9'2"	↓ 48°	90° ↑	1025	I - II	540	3	47

\* Reach measured from tractor centre line to head edge

**MACHINES**

Model	Flails	Suggested Retail - \$
ZMGE1400	<b>A</b> 54 "Y" blades	<b>13,257</b>
	<b>B</b> 18 Hammer blades	<b>13,345</b>
ZMGE1600	<b>A</b> 66 "Y" blades	<b>13,539</b>
	<b>B</b> 22 Hammer blades	<b>13,644</b>

**ACCESSORIES AT EXTRA CHARGE**

	Suggested Retail - \$
Kit distributor with 2 levers and floating position (ZL1605)	<b>1,698</b>
Kit Cat. II pins (code ZMT1615)	<b>114</b>
Wide angle PTO shaft - (ZMT2010) only if ordered with the machine	<b>1,953</b>
Hydraulic breakaway kit (ZML1605)	<b>273</b>



Suitable for tractors equipped with 1 distributor with 2 double acting sections, one of which with floating. In case the tractor has only one acting, it will be necessary to fit the kit distributor with floating (see option.)

**Flails**

Interchangeable on the same rotor

"Y" blades for:  
grass, shrubs, bushes  
Ø max 1 1/4'



**A**

Cod. 0901158

Forged hammer-blades for:  
woods, grass, twigs  
Ø max 1 3/4'



**B**

Cod. 0901194

**SIMPLY. THE MOWER**

**Equipped with:**

- Gearbox is fitted outside the transmission cover (more reach and less pto shaft angle)
- Double locking system for transport (this avoids accidental tilting or side movement of the flail head) no need for chains or holders
- Floating frame (the joint pin on the tractor side allows the head system to follow the ground, protecting the arm structure)
- Gearbox with free wheel
- Hydraulic side shift cylinder fitted within the parallel arms for better protection during work
- Hydraulic cylinder for head positioning
- Rotation joint and parallel arms on self lubricating bushings
- Heat treated pins
- Rotor internal sealed bearing
- Adjustable Rear Roller ø 5.5"
- Front guard with metal flaps
- Reinforced Pto Shaft
- Packaging (pallet)
- Adjustable side skids

**WARNING**



It is RECOMMENDED that you connect the equipment to the tractor and start it up for the first time together with your Dealer, following the instructions and paying attention to the warnings indicated in our use and maintenance manual. If you require further information, please contact our after sales service.



• Any Ferri offset mower ZME-ZTE-ZMGE-ZMTE-ZLE-ZHE will be supplied with parallel arms partially dismantled. Reassembling as per Ferri owner's manual will be at dealer's charge.  
• Attachment to the tractor 3 point hitch, including PTO shaft fitting, also at dealer's charge.  
• Side skid kits will be supplied separately. Relevant mounting as per instructions will be at dealer's charge.





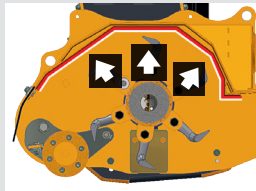
SIMPLY. THE MOWER



# OFFSET/IN-LINE SLOPE MOWERS FOR AGRICULTURE AND GREEN AREAS



Gearbox external to the drive housing.



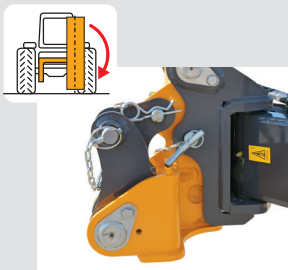
Inner lining "Full coverage" Domex 700 Steel.



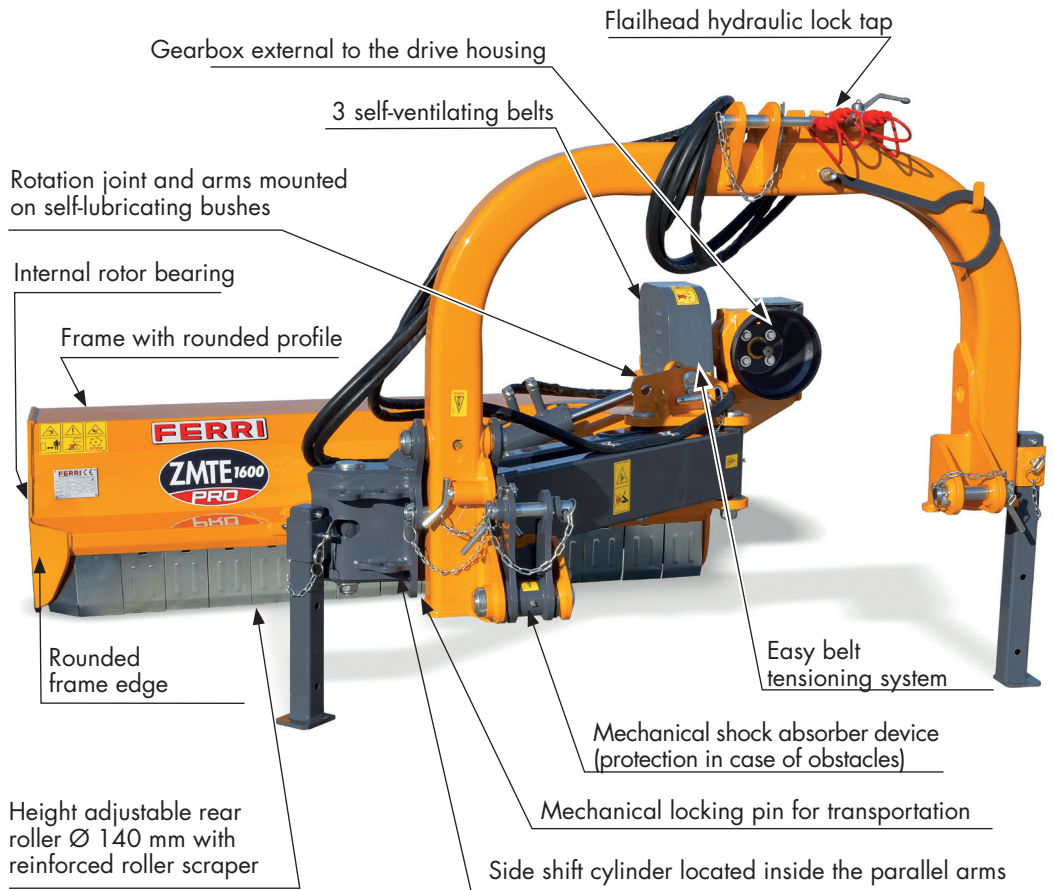
Mechanical shock absorber device (protection in case of obstacles).



Floating flail body frame, self-leveling to the ground.

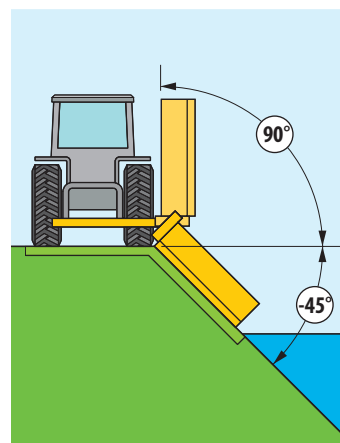
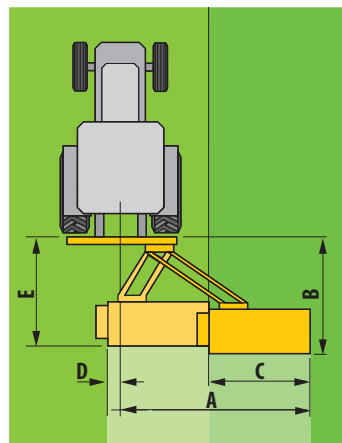


Mechanical locking pin for transportation, (no chains, no brackets).



HP Tractor	60	70	80	Min. tractor weight lbs	Min. tractor width ft.
ZMTE PRO 1600	█			5291	5'3"
ZMTE PRO 1800	█			5291	5'11"
ZMTE PRO 2000		█		5732	6'7"

## Working positions



	ZMTE PRO 1600	ZMTE PRO 1800	ZMTE PRO 2000
	ft	ft	ft
A	9'2"	9'10"	10'6"
B	6'6"	6'6"	6'6"
C	5'5"	6'1/2"	6'8"
D	1"	1"	1"
E	6'1"	6'1"	6'1"

### TECHNICAL DATA

Model	Cutting width	Max side-sliding*	Flail head angle		Weight	Three point linkage	Pto	Belts	Blade tip speed
	ft.		degrees						
ZMTE PRO 1600	5'5"	9'2"	45°	90°	1336	II	540	3	177'
ZMTE PRO 1800	6'1/2"	9'10"	45°	90°	1398	II	540	3	177'
ZMTE PRO 2000	6'8"	10'6"	45°	90°	1444	II	540	3	177'

\* Reach measured from tractor centre line to head edge

### MACHINES

Model	Flails	Suggested Retail - \$
ZMTE PRO 1600	A 40 "Y" Blades	16.715
	B 20 hammer blades	16.957
ZMTE PRO 1800	A 48 "Y" Blades	16.941
	B 24 hammer blades	17.258
ZMTE PRO 2000	A 48 "Y" Blades	17.116
	B 24 hammer blades	17.442

### ACCESSORIES AT EXTRA CHARGE

	Suggested Retail - \$
Kit distributor with floating (code ZL1605)	1.614
Wide angle PTO shaft - ZMT2010 (only if ordered with the machine)	1.856
NG rear roller kit for ZMTE1600 Pro	1.246
NG rear roller kit for ZMTE1800 Pro	1.246
NG rear roller kit for ZMTE2000 Pro	1.246



Suitable for tractors equipped with 1 distributor with 2 double acting sections, one of which with floating. In case the tractor has only one acting, it will be necessary to fit the kit distributor with floating (see option.)

### Flails

Interchangeable on the same rotor

"Y" blades for: grass, shrubs, bushes  
Ø max 1 1/4'



**A**

Cod. 0901129

Forged hammer-blades for: woods, grass, twigs  
Ø max 1 3/4'



**B**

Cod. 0901134

### Equipped with:

- Universal three point linkage ISO cat. 2.
- Gear unit pdf 540 rpm in OFFSET position, box support bolted to the frame.
- Inner lining "Full coverage" Domex 700.
- Internal rotor bearings.
- Head positioning hydraulic cylinder and mechanical safety device for transport.
- Lateral parallelogram offset with protected adjustable hydraulic cylinder.
- Rotation joint and arms mounted on self-lubricating bushes.
- Floating flail body frame, self-leveling to the ground.
- Mechanical shock absorber device (protection in case of obstacles).
- Transport position with mechanical safety device.
- Easy belt tensioning system.
- FerriPERFECT, electronic balancing system and two-phase numerical control of the rotor.
- Reinforced "OVERLAP" double row spiral rotor.
- Height adjustable rear roller Ø 140 mm. with reinforced roller scraper.
- Front guard with steel flaps.
- Rear guard with reinforced wear resistant rubber cloth.
- Hexalobate profile PTO shaft with reinforced cruises.
- Packaged on a separate pallet.
- Accident prevention protections according to EC directives.
- Adjustable side skids.

### WARNING



It is RECOMMENDED that you connect the equipment to the tractor and start it up for the first time together with your Dealer, following the instructions and paying attention to the warnings indicated in our use and maintenance manual. If you require further information, please contact our after sales service.

• Any Ferri offset mower ZME-ZTE-ZMGE-ZMTEPRO-ZLE-ZHE will be supplied with parallel arms partially dismounted. Reassembling as per Ferri owner's manual will be at dealer's charge.  
• Attachment to the tractor 3 point hitch, including PTO shaft fitting, also at dealer's charge.  
• Side skid kits will be supplied separately. Relevant mounting as per instructions will be at dealer's charge.



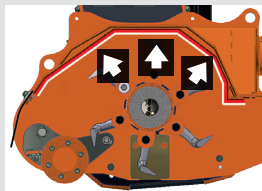
SIMPLY. THE MOWER



# PROFESSIONAL OFFSET/IN-LINE SLOPE MOWERS FOR MUNICIPAL AND GREEN AREAS



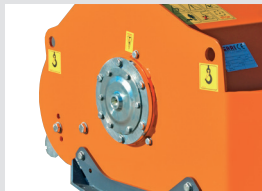
Gearbox unit outside the transmission for more homogeneous mulching.



Double skin mulching frame with inter-anl "Full Coverage" layer in Strenx 700



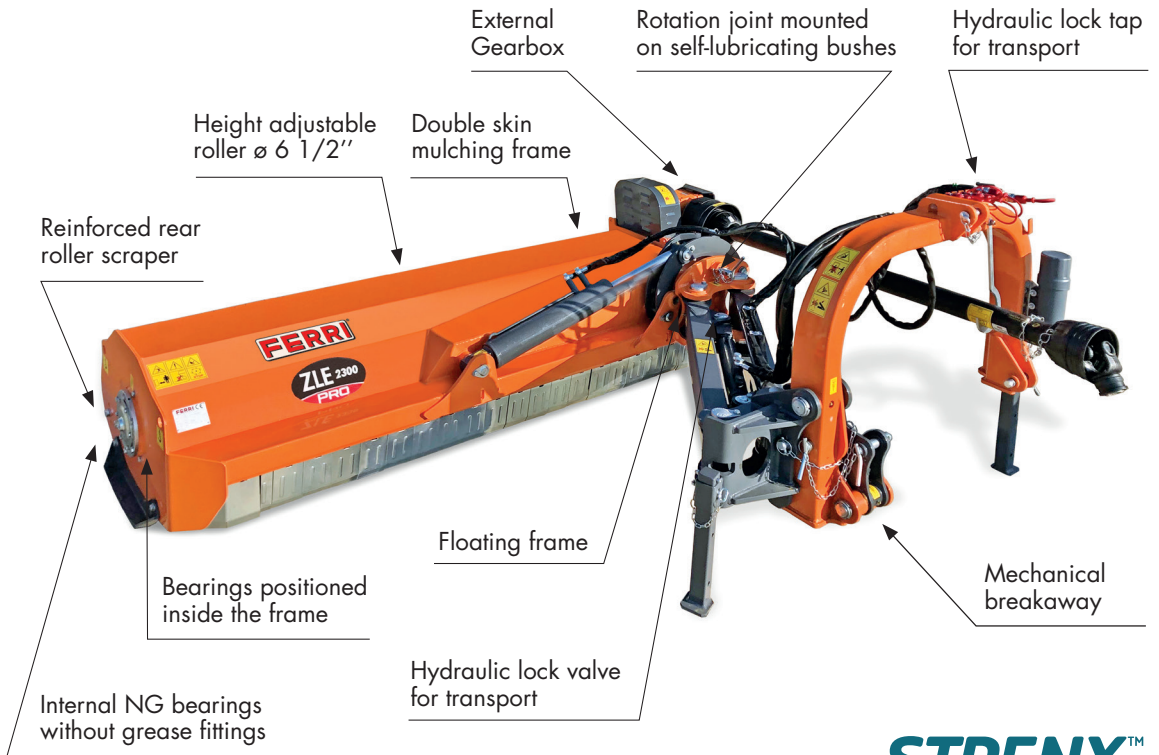
Mechanical shock absorber device, total protection in case of collision with obstacles



Rotor support with bearings positioned inside the frame



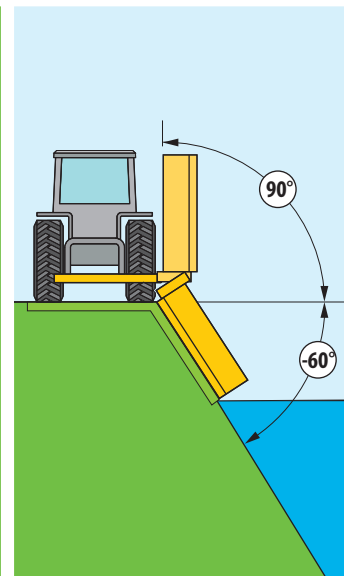
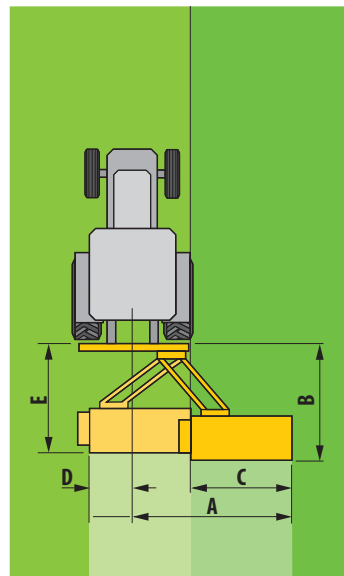
Rear roller support with internally fixed bearings NG without grease fittings



**STRENX™**  
PERFORMANCE STEEL

HP Tractor	60	70	80	90	100	110	120	Min. tractor weight lbs	Min. tractor width ft.
ZLE PRO 1800	[Green bar]							6173	6'7"
ZLE PRO 2000		[Green bar]						6620	7'3"
ZLE PRO 2300			[Green bar]					7050	7'7"

## Working positions



	ZLE PRO 1800	ZLE PRO 2000	ZLE PRO 2300
	ft	ft	ft
A	9' 11"	10' 6"	11' 4"
B	6' 6"	6' 6"	6' 6"
C	6' 0"	6' 8"	7' 6"
D	5' 1/2"	5' 1/2"	5' 1/2"
E	6' 4"	6' 4"	6' 4"

## TECHNICAL DATA

Model	Cutting width ft.	Max side-sliding* ft.	Flail head angle degrees	Weight lbs	Three point linkage Cat.	Pto Rpm	Belts n°	Blade tip speed ft/sec
ZLE PRO 1800	6'0"	9'11"	↓ 60° 90° ↑	1830	II	540	4	174
ZLE PRO 2000	6'8"	10'6"	↓ 60° 90° ↑	1896	II	540	4	174
ZLE PRO 2300	7'6"	11'4"	↓ 60° 90° ↑	2000	II	540	4	174

\* Reach measured from tractor centre line to head edge

## MACHINES

	Suggested Retail - \$
ZLE PRO 1800 A	24.315
ZLE PRO 1800 B	24.280
ZLE PRO 2000A	24.764
ZLE PRO 2000 B	24.623
ZLE PRO 2300A	25.573
ZLE PRO 2300 B	25.450

## ACCESSORIES AT EXTRA CHARGE

	Suggested Retail - \$
Rear panel kit (L000290)	1.698
Wide angle PTO shaft (ZMT2010) only if ordered with the machine	1.953



Suitable for tractors equipped with 1 distributor with 2 double acting sections, one of which with floating. In case the tractor has only one acting, it will be necessary to fit the kit distributor with floating (see option.)

## Flails

### Interchangeable on the same rotor ("Overlap")

Forged hammer-blades for: woods, grass, twigs  
Ø max 1 3/4'



**A**

Cod. 0901196

ZLE PRO 1800 n° 18  
ZLE PRO 2000 n° 20  
ZLE PRO 2300 n° 22

Multise blades for:  
grass, bushes, shrubs, sticks  
Ø max 1 1/4'



**B**

Cod. 0901146

ZLE PRO 1800 n° 54  
ZLE PRO 2000 n° 60  
ZLE PRO 2300 n° 66

- Any Ferri offset mower ZME-ZTE-ZMGE-ZMTEPRO-ZLE-ZHE will be supplied with parallel arms partially dismantled. Reassembling as per Ferri owner's manual will be at dealer's charge.
- Attachment to the tractor 3 point hitch, including PTO shaft fitting, also at dealer's charge.
- Side skid kits will be supplied separately. Relevant mounting as per instructions will be at dealer's charge.

## Equipped with:

- Universal three point linkage ISO cat. 2.
- Gearbox unit pdf 540 rpm in OUTSIDE position, gearbox support screwed to the frame.
- Double skin mulching frame with internal "Full Coverage" layer in Strenx 700.
- Rotor bearings positioned inside the frame.
- Hydraulic ram for mulching head positioning and 2 hydraulic safety devices for transport.
- Sideshift with protected adjustable hydraulic cylinder.
- Rotation joint and arms mounted on self-lubricating bushes.
- Floating flail body frame, self-leveling to the ground.
- Mechanical shock absorber device, total protection in case of collision with obstacles.
- Mechanical safety in transport.
- Easy transmission belt tensioning system.
- FerriPERFECT, electronic balancing system and two-phase numerical control of the rotor.
- Reinforced "OVERLAP" double row spiral rotor.
- Adjustable rear roller Ø 6 1/2" with NG bearing supports and reinforced roller scraper.
- Front guard with steel flaps.
- Rear guard with reinforced wear resistant rubber cloth.
- Hexalobate profile PTO shaft with reinforced cruises.
- Symmetrical wear-resistant skids.
- Packaged on a separate pallet.
- Accident prevention protections according to EC directives.

## WARNING



It is RECOMMENDED that you connect the equipment to the tractor and start it up for the first time together with your Dealer, following the instructions and paying attention to the warnings indicated in our use and maintenance manual. If you require further information, please contact our after sales service.







SIMPLY. THE MOWER



# OFFSET/IN-LINE SLOPE MOWERS FOR PROFESSIONALS AND GREEN AREAS



Mechanical breakaway with spring assisted device.



"Overlap" spiral rotor with two spiral rows, reinforced to 0.4" section for either hammer blades and multiuse flails.



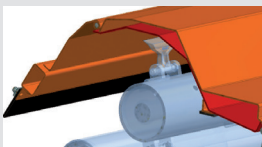
Rear adjustable roller 6 1/2"



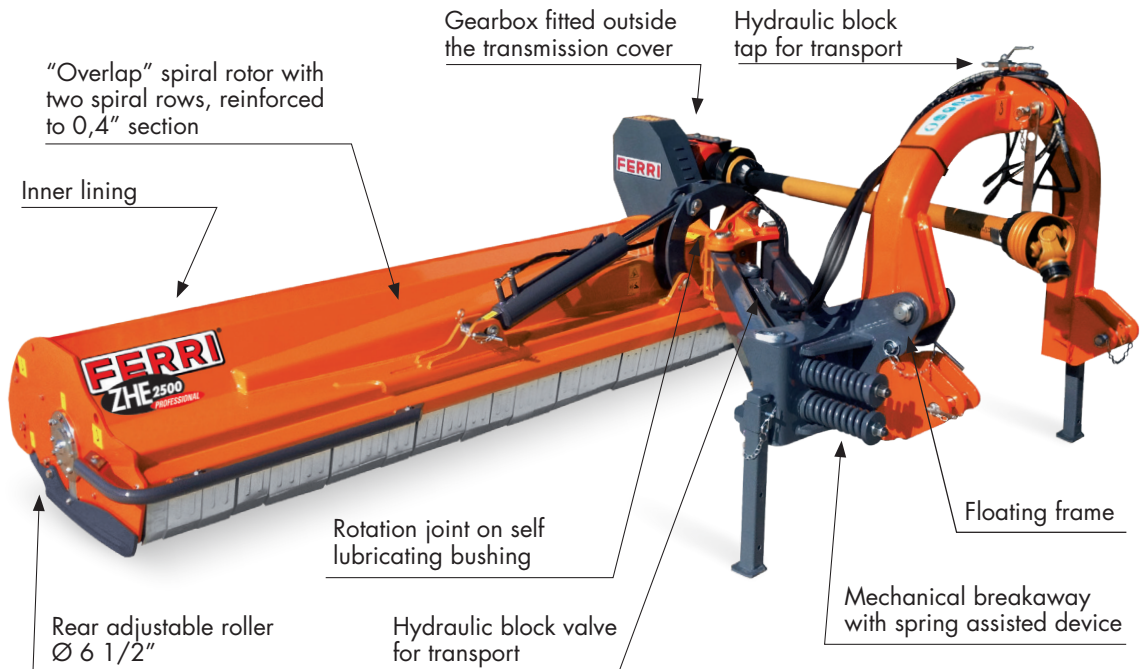
Adjustable side skids.



Rotation joint on self lubricating bushing.



Inner lining for a complete protection of the frame.



Gearbox unit outside the transmission cover (more-side sliding).



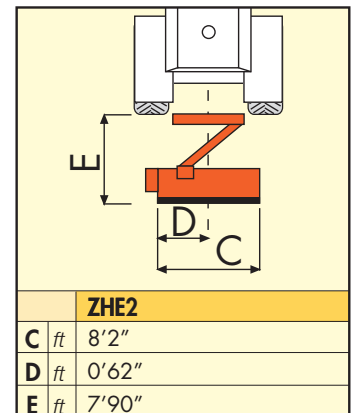
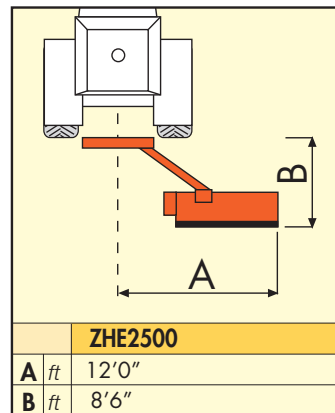
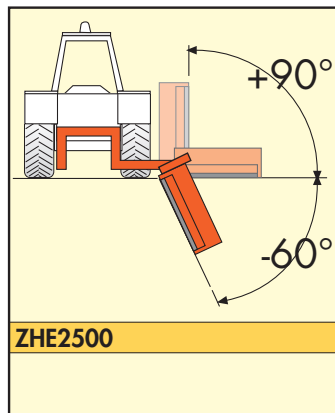
Hydraulic block valve for transport with automatic activation (no chains or holders).



Hydraulic block tap for transport with manual activation (no chains or holders).

HP Tractor	100	110	120	130	140	150	160	Min. tractor weight lbs	Min. tractor width ft.
ZHE2500 Dynamic								8818	7'5"

## Working positions





SIMPLY. THE MOWER

**TECHNICAL DATA**

Model	Cutting width	Max side-sliding*	Flail head angle		Weight	Three point linkage	Pto	Belts	Blade tip speed
	ft.		ft.	degrees					
ZHE2500 Dynamic	8'2"	12'0"	↓ 60°	90° ↑	2992	II - III	540	5	174

\* Reach measured from tractor centre line to head edge

**MACHINES**

Model	Suggested Retail - \$
ZHE 2500 Dynamic	27.860

**ACCESSORIES AT EXTRA CHARGE**

	Suggested Retail - \$
Kit distributor with floating (code ZL1605)	1.698
Wide angle PTO shaft (code ZHE2505)	2.006



Suitable for tractors equipped with 1 distributor with 2 double acting sections, one of which with floating. In case the tractor has only one acting, it will be necessary to fit the kit distributor with floating (see option.)

**Flails**

Interchangeable on the same rotor ("Overlap")

Forged hammer-blades for: woods, grass, twigs  
Ø max 2'

Multiuse blades for: grass, bushes, shrubs, sticks  
Ø max 1 1/2'



Cod. 0901196  
n° 26

Cod. 0901146  
n° 78

- Any Ferri offset mower ZME-ZTE-ZMGE-ZMTE-ZLE-ZHE will be supplied with parallel arms partially dismantled. Reassembling as per Ferri owner's manual will be at dealer's charge.
- Attachment to the tractor 3 point hitch, including PTO shaft fitting, also at dealer's charge.
- Side skid kits will be supplied separately. Relevant mounting as per instructions will be at dealer's charge.

**Equipped with:**

- Gearbox is fitted outside the transmission cover (more-side sliding and less pto shaft angle)
- Belt transmission (5 belts)
- Hydraulic block valve for transportation with automatic activation (this avoids accidental side movements of the flail head without operator's intervention or the use of chains or holders).
- Hydraulic block tap for transportation with manual activation (this avoids accidental leaning of the mowing body without use of chains or holders).
- Inner lining (sheet metal protection for the whole flail head).
- Mechanical breakaway with spring assisted device
- "OVERLAP" spiral rotor with two spiral rows reinforced with a 0,4" section for forged hammerblades and multiuse flails.
- 6-rows-rotor reinforced with 2/5" section for articulated flails.
- Adjustable counterblade (to adjust the size of the debris).
- Rear adjustable roller Ø 6 1/2".
- Floating frame to follow the ground contours.
- Adjustable side skids.
- Rotation joint and parallelogram arms on self lubricating bushing.
- Gearbox overrunning clutch.
- Hydraulic side shift cylinder fitted within the parallel arms for better protection during work.
- Front guard with metal flaps and rear guard with rubber.
- Reinforced Pto shaft.

**WARNING**



It is RECOMMENDED that you connect the equipment to the tractor and start it up for the first time together with your Dealer, following the instructions and paying attention to the warnings indicated in our use and maintenance manual. If you require further information, please contact our after sales service.

