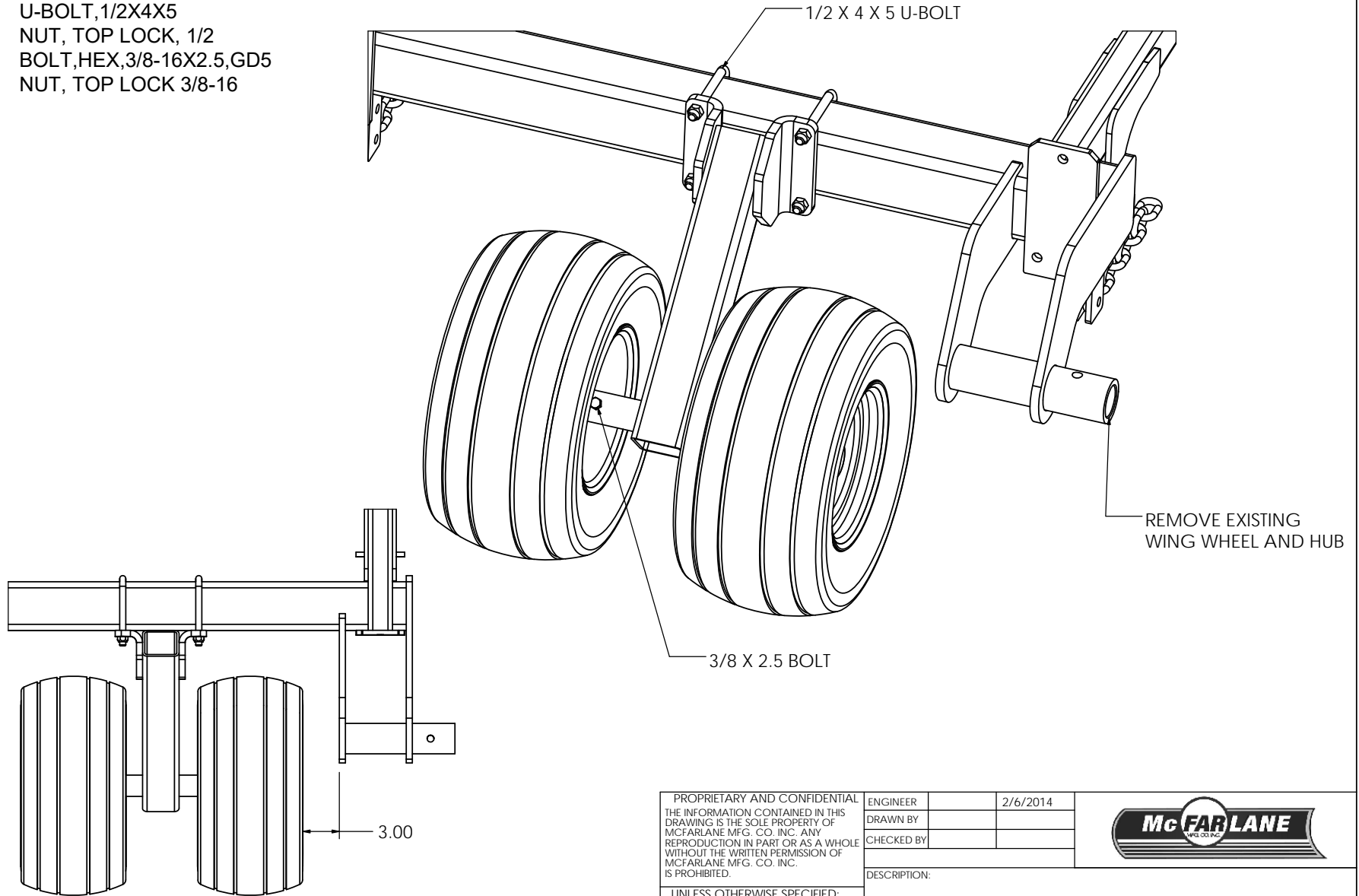


Part No.	Description
12156	BRACKET, WING AXLE, DUAL
HD-1188	ASM, TIRE/RIM, 18.5X8.5-8, LRB
HD-1121	ASM, HUB/SPINDLE, 4 BOLT/1.25"
BU-1245	U-BOLT, 1/2X4X5
NLT-5013	NUT, TOP LOCK, 1/2
BH-3825	BOLT, HEX, 3/8-16X2.5, GD5
NLT-3816	NUT, TOP LOCK 3/8-16



PROPRIETARY AND CONFIDENTIAL THE INFORMATION CONTAINED IN THIS DRAWING IS THE SOLE PROPERTY OF MCFARLANE MFG. CO. INC. ANY REPRODUCTION IN PART OR AS A WHOLE WITHOUT THE WRITTEN PERMISSION OF MCFARLANE MFG. CO. INC. IS PROHIBITED.	ENGINEER		2/6/2014	
	DRAWN BY			
	CHECKED BY			
	DESCRIPTION:			
UNLESS OTHERWISE SPECIFIED: DIMENSIONS ARE IN INCHES TOLERANCES: FRACTIONAL ± 1/16 ANGULAR: MACH ± 0.5° BEND ± 2° ONE PLACE DECIMAL ± 0.1 TWO PLACE DECIMAL ± 0.06 THREE PLACE DECIMAL ± 0.005 DO NOT SCALE DRAWING	MATL	FINISH		
SCALE: 1:8	VIEW:		PART NUMBER: RBH-232-3 prototype	REV.