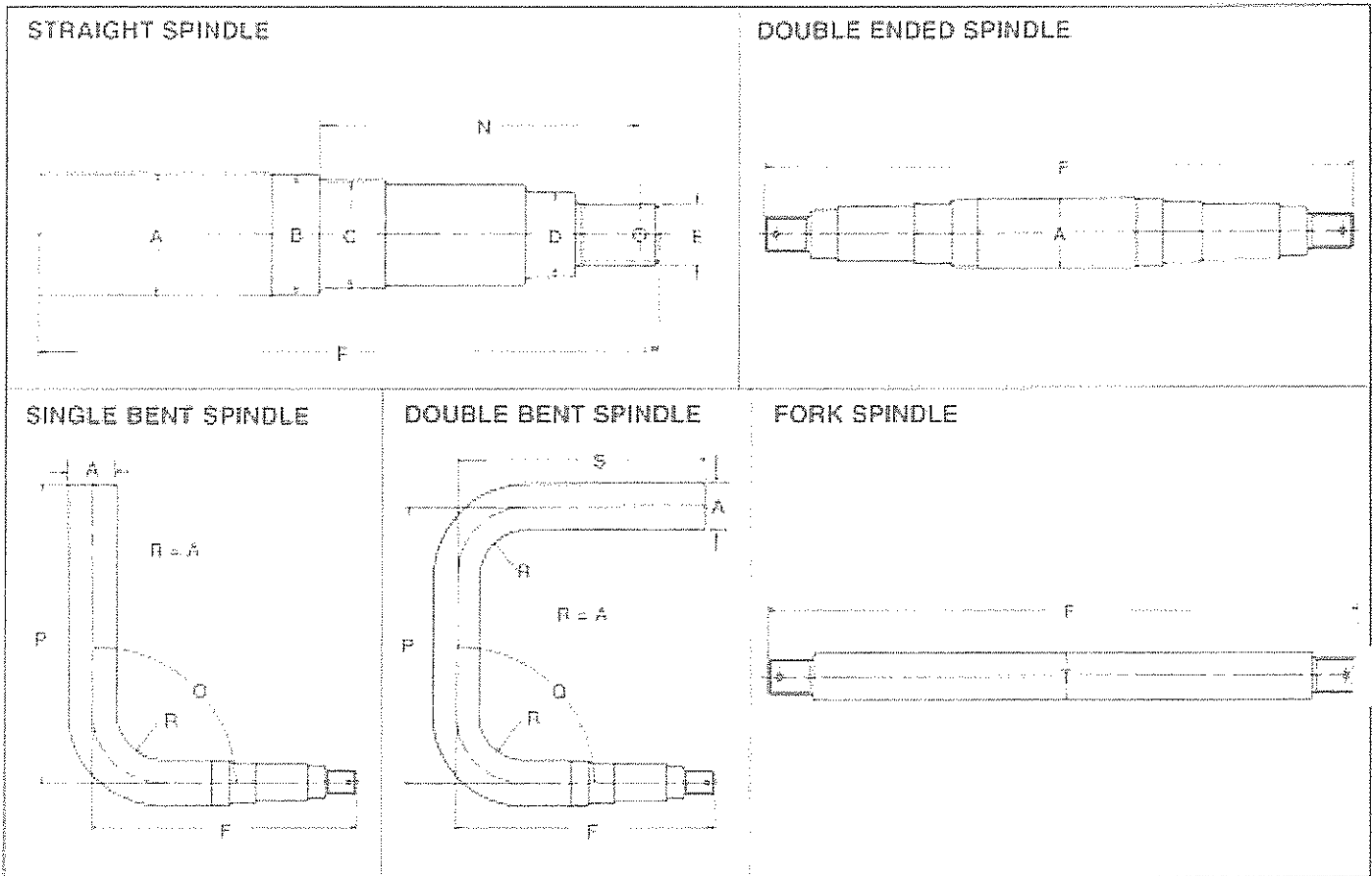
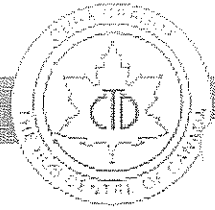


# SPINDLES



\* Note: When ordering spindles please specify dimension: A, F, (and P, S, for bent spindles).

SPINDLE SERIES	A	B	C	D	E	N
S411-(S510)	TO CUSTOMERS' SPECS.	1.50	1.250/1.248	.750/ .748	3/4-16UNF	2.93
S411-1-		1.62	1.250/1.248	.750/ .748	3/4-16UNF	2.93
S413- (S511)		1.50	1.250/1.248	.750/ .748	3/4-16UNF	3.81
S510- (S411)		1.50	1.250/1.248	.750/ .748	3/4-16UNF	2.93
S511- (S413-)		1.50	1.250/1.248	.750/ .748	3/4-16UNF	3.81
S511-1		1.62	1.250/1.248	.750/ .748	3/4-16UNF	3.81
S512-		1.75	1.250/1.248	.750/ .748	3/4-16UNF	4.28

Hot Rolled Spindles, up to 2 1/2" dia., supplied up to .060 oversize unless specified otherwise.



## CANADIAN TOOL & DIE LTD.

1331 Chevrier Blvd., Winnipeg, Manitoba, Canada R3T 1Y4  
 Tel 204/453-8833 Fax 204/453-3803 e mail CDNTOOL1@rosonct.com



# SPINDLES

SPINDLE SERIES	A	B	C	D	E	N
S516-		1.62	1.375/1.373	.750/.748	3/4-16UNF	3.87
S517- (S611)		1.75	1.375/1.373	1.240/1.248	7/8-14UNF	3.65
S517-1- (S611-3-)		1.50	1.375/1.373	1.250/1.248	7/8-14 UNF	3.65
S518- (S517-1-)		1.50	1.375/1.373	1.250/1.248	7/8-14 UNF	3.69
S611- (S632-)		1.75	1.500/1.498	1.250/1.248		
S611-1-		1.62	1.500/1.498	1.250/1.248	7/8-14 UNF	3.75
S611-3- (S517-1-)		1.50	1.375/1.373	1.250/1.248	7/8-14 UNF	3.75
S611-1-J(S612-J-)		1.62	1.495/1.493	1.250/1.248	1-14 UNS*	3.75
S612- (S611-3-)		1.50	1.375/1.373	1.250/1.248	7/8-14 UNF	3.75
S612-J (S611-1-J-)		1.62	1.495/1.493	1.250/1.248	1-14 UNS*	3.75
S613-		1.70	1.500/1.498	1.250/1.248	7/8-14 UNS	4.34
S614-		2.00	1.781/1.779	1.375/1.373	1-14 UNS*	4.09
S618- (S635-)		2.00	1.750/1.748	1.375/1.373	1-14 UNS*	5.00
S619-		2.20	2.000/1.998	1.375/1.373	1-14 UNS	5.43
S630-		2.00	1.625/1.623	1.250/1.248	3/4-16 UNF	5.15
S631-		1.87	1.625/1.623	1.250/1.248	7/8-14UNS	4.18
S632- (S611-)		1.75	1.500/1.498	1.250/1.248	1-14 UNS	3.75
*S632-J- (S611-1-J-)		1.62	1.495/1.493	1.250/1.248	1-14 UNS*	3.75
S633- (S811-)		2.00	1.796/1.794	1.375/1.373	7/8-14 UNS	5.18
S810-		2.50	2.000/1.998	1.375/1.373	7/8-14 UNS	6.43
S811- (S633-)		2.00	1.796/1.794	1.375/1.373	1-14 UNS	5.28
S812-		2.50	2.000/1.998	1.312/1.310	1-14 UNS	5.46
S817-		3.00	2.250/2.248	1.625/1.623	1-1/4-12 UNF	6.436
S819-		2.25	2.000/1.998	1.625/1.623	1-14 UNS	5.15
S819-J-		2.75	2.164/2.162	1.625/1.623	1-14 UNS	5.22
S1010-		3.00	2.500/2.498	1.750/1.748	1-1/4-12 UNF	6.25
S1010-3-		3.37	2.750/2.748	1.750/1.748	1-1/4-12 UNF	6.25
S1020-		4.37	3.543/2.541	2.625/2.623	2-160 UNF	8.25

TO CUSTOMERS' SPECIFICATIONS

( ) - Common Spindles.  
 \* 7/8 Thread Optional.

## CANADIAN TOOL & DIE LTD.

1331 Chevrier Blvd., Winnipeg, Manitoba, Canada R3T 1Y4  
 Tel 204/453-6833 Fax 204/453-3803 e mail CDNT00L1@resonet.com

