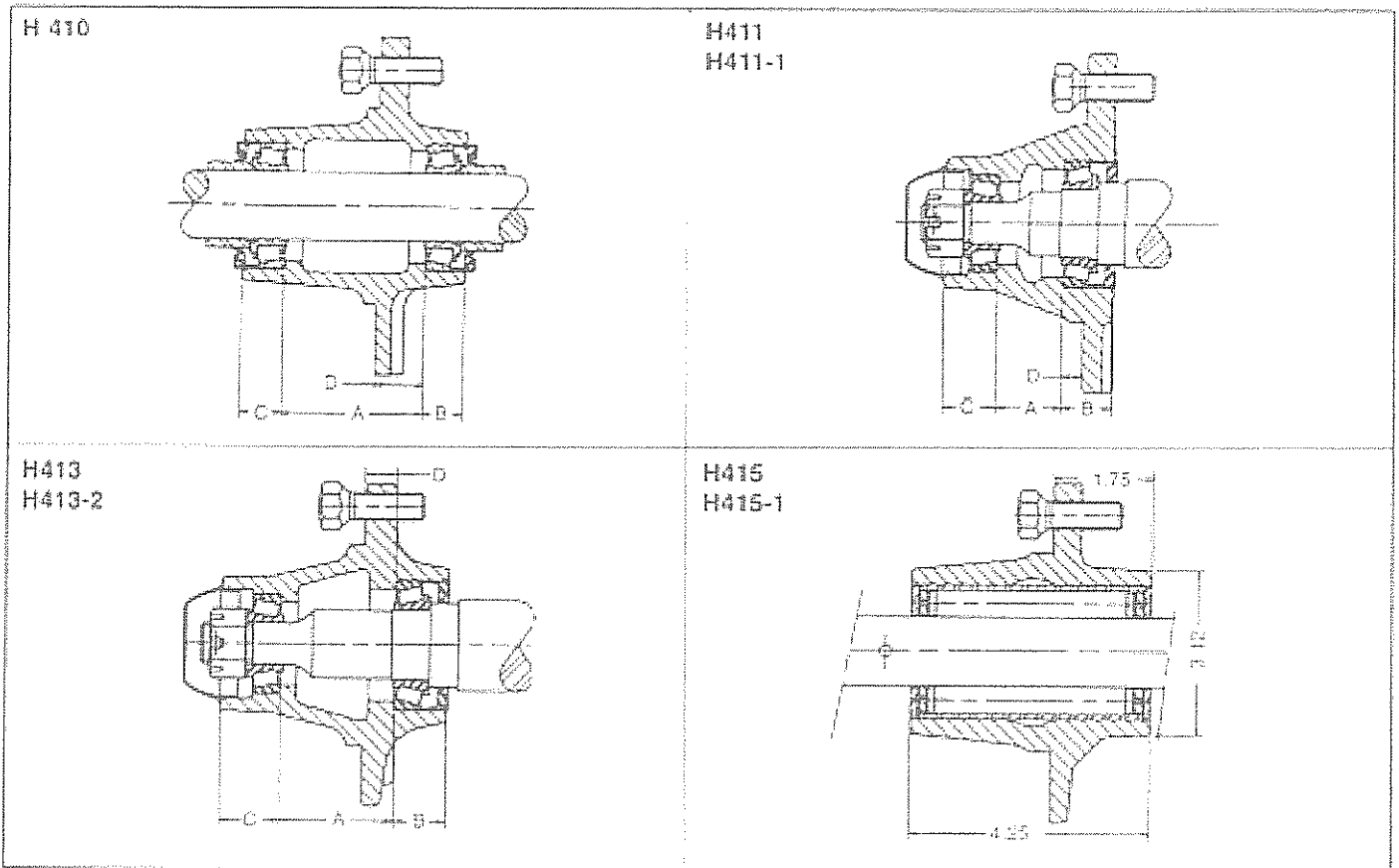


HUBS & COMPONENT PARTS

4 BOLT, 5" BOLT CIRCLE, 3.62" PILOT

for Agricultural Wheels shown on page 6



HUB ORDER NO.	BEARING ORDERING NO.						PARTS ORDERING NO.			A	B	C	D	CAP LBS.	SPINDLE SERIES PAGE 20
	INNER CUP	OUTER CUP	INNER CONE	INNER BORE	OUTER CONE	OUTER BORE	DUST CAP	WHEEL BOLT	GREASE SEAL						
H410	LM-67010	LM-67010	LM-67048	1.25	LM-67048	1.25	-	WB10	SE12	2.53	.71	.71	.87	1500	S410-
H411	LM-67010	LM-11910	JM-67048	1.25	LM-11949	.75	DC12	WB10	SE11	1.18	.93	.93	.37	1250	S411-
H411-1	LM-67010	LM-11910	LM-67048	1.25	LM-11949	.75	DC12	WB10	SE12	1.18	.93	.93	.37	1250	S411-1
H413	LM-67010	LM-11910	LM-67048	1.25	LM-11949	.75	DC24	WB10	SE11	2.00	.93	1.06	.56	1500	S413-
H413-2	LM-67010	LM-11910	LM-67048	1.25	LM-11949	.75	DC12	WB10	SE12	2.00	.93	1.06	.56	1500	S413-2
H415	Straight Roller Brg. No. PA98764NA 1.25 I.D.						-	WB10	-	-	-	-	-	1250	S415-
H415-1	Straight Roller Brg. No. PA98964NA 1.50 I.D.						-	WB10	-	-	-	-	-	1250	S415-

* Hub Capacities Based on .36 Negative Offset, 20,000 Mile Minimum Bearing Life at Tractor Speed (20MPH) and 14,000PSI, Maximum Fiber Stress on the Spindle.

All Hubs available with WB55 Wheel Bolt (1/2" - 20 UNF-2A x 1 1/2" LG).

CANADIAN TOOL & DIE LTD.

1331 Chevrier Blvd., Winnipeg, Manitoba, Canada R3T 1Y4
Tel 204/453-6833 Fax 204/453-3803 e mail CDNTOOL1@resonet.com



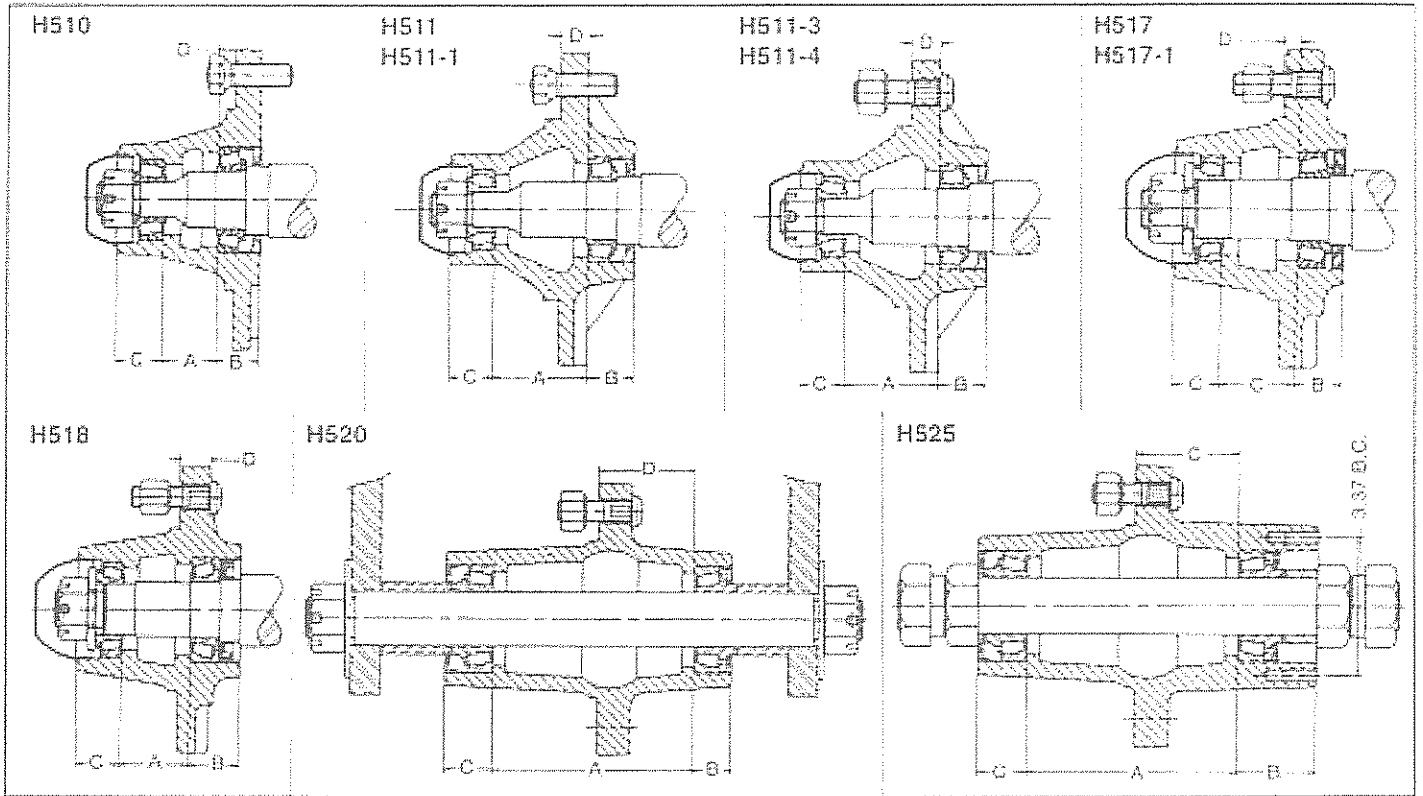
H411-3 Concord



HUBS & COMPONENT PARTS

5 BOLT, 5.50" BOLT CIRCLE, 4" PILOT

for Agricultural Wheels shown on page 8



HUB ORDER NO.	BEARING ORDERING NO.						PARTS ORDERING NO.			A	B	C	D	CAP LBS.	SPINDLE SERIES PAGE 20
	INNER CUP	OUTER CUP	INNER CONE	INNER BORE	OUTER CONE	OUTER BORE	DUST CAP	WHEEL BOLT	GREASE SEAL						
H510	LM-67010	LM-11910	LM-67048	1.25	LM-11949	.75	DC12	WB10	SE12	1.18	.90	.53	.37	1250	S510-
H511	LM-67010	LM-11910	LM-67048	1.25	LM-11949	.75	DC12	WB10	SE14	2.03	1.00	.92	.63	1800	S511-
H511-1	LM-67010	LM-11910	LM-67048	1.25	LM-11949	.75	DC12	WB10	SE13	2.03	1.00	.92	.63	1800	S511-1-
H511-3	LM-67010	LM-11910	LM-67048	1.25	LM-11949	.75	DC12	WB13	SE14	2.03	1.00	.92	.63	1800	S511-
H511-4	LM-67010	LM-11910	LM-67048	1.25	LM-11949	.75	DC12	WB13 WB11	SE13	2.03	1.00	.92	.63	1800	S511-1-
H517**	LM-48510	LM-67010	LM-48548	1.37	LM-67048	1.25	DC13	WB16 WB11	SE28	1.56	1.00	1.00	.31	2750	S517-
H517-1**	LM-48510	LM-67010	LM-48548	1.37	LM-67048	1.25	DC13	WB16 WB11	SE14	1.56	1.00	1.00	.31	2750	S517-1
H518**	LM-48510	LM-67010	LM-48548	1.37	LM-67048	1.25	DC13	WB16 WB11	SE33 SE33-01	1.56	1.25	1.08	.31	2750	S518
H520**	14276	14276	14136A	1.37	14136A	1.37	-	WB16 WB11	SE39	5.00	1.00	1.00	3.43	5700	S520F-
H525***	14276	14276	14136A	1.37	14136A	1.37	-	WB16 WB11	SE13	5.00	1.81	1.08	2.43	5700	S520F-

* Hub Capacities Based on .25 Negative Offset 20,000 Mils Minimum Bearing Life at Tractor Speed (20MPH) and 14,000 PSI. Maximum Fiber Stress on the Spindle.

** These hubs available with bolts in lieu of studs.

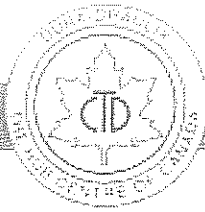
*** Sprocket Drive Application.

CANADIAN TOOL & DIE LTD.

1331 Chevrier Blvd., Winnipeg, Manitoba, Canada R3T 1Y4

Tel 204/453-6833 Fax 204/453-3803 e mail CDNT00L1@resonet.com

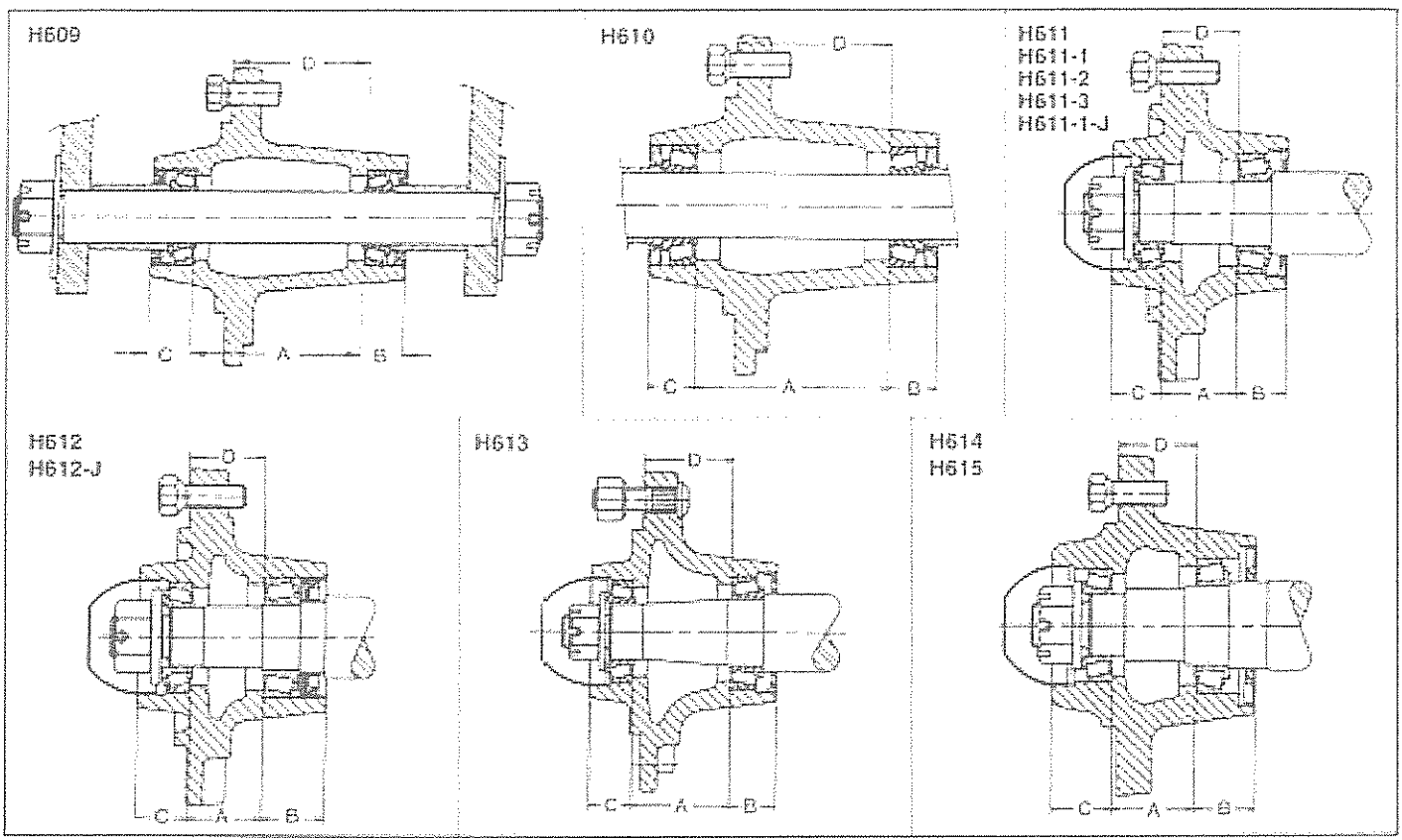




HUBS & COMPONENT PARTS

6 BOLT, 6" CIRCLE, 4.62" PILOT

for Convex Implement wheels shown on page 10

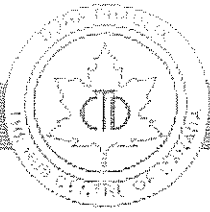


HUB ORDER NO.	BEARING ORDERING NO.						PARTS ORDERING NO.				A	B	C	D	CAP LBS.	SPINDLE SERIES PAGE 20
	INNER CUP	OUTER CUP	INNER CONE	INNER BORE	OUTER CONE	OUTER BORE	DUST CAP	WHEEL BOLT	GREASE SEAL							
H609	LM-67010	LM-67010	LM-67048	1.25	LM-67048	1.25	-	WB12	SE12	4.00	1.00	1.00	3.18	2450	S609F	
H610	LM-48510	LM-48510	LM-48548	1.37	LM-48548	1.37	-	WB12	SE14	4.00	1.00	1.00	3.18	3900	S610F	
H611	LM-29710	LM-67010	LM-29749	1.50	LM-67048	1.25	DC13	WB10	SE13	1.56	1.00	1.05	1.62	3600	S611-	
H611-1	LM-29710	LM-67010	LM-29749	1.50	LM-67048	1.25	DC13	WB10	SE14	1.56	1.00	1.05	1.62	3600	S611-1	
H611-2	LM-48510	LM-67010	LM-48548	1.37	LM-67048	1.25	DC13	WB10	SE13	1.56	1.00	1.05	1.62	2840	S611-2	
H611-3	LM-48510	LM-67010	LM-48548	1.37	LM-67048	1.25	DC13	WB10	SE28	1.56	1.00	1.05	1.62	2840	S611-3	
H611-1-J	JL-69310	LM-67010	JL-59349	1.50	LM-67048	1.25	DC13	WB10	SE14	1.56	1.00	1.05	1.62	3600	S611-1-J	
H612	LM-48510	LM-67010	LM-48548	1.37	LM-67048	1.25	DC13	WB10	SE33 SE33-01	1.56	1.25	1.05	1.62	2840	S611-3	
H612J	JL-69310	LM-67010	JL-59349	1.50	LM-67048	1.25	DC13	WB10	SE39 SE33-01	1.53	1.31	1.03	1.53	3600	S611-J	
H613	LM-29710	LM-67010	LM-29749	1.50	LM-67048	1.25	DC13	WB16 WB11	SE13	2.18	1.00	.93	2.00	2900	S613-	
H614	LM-603011	LM-48510	LM-603049	1.78	LM-48548	1.37	DC15	WB12	SE16	1.75	1.37	1.37	1.62	5000	S614-	
H615	LM-603011	LM-48510	LM-603049	1.78	LM-48548	1.37	DC15	WB12	SE29	1.75	1.37	1.37	1.62	5000	S614	

* Hub Capacities Based on 1.12 Positive Offset 20,000 Mile Minimum Bearing Life at Tractor speed (20MPH) and 14,000 PSI. Maximum Fiber Stress On the Spindle.

CANADIAN TOOL & DIE LTD.
 1331 Chevlier Blvd., Winnipeg, Manitoba, Canada R3T 1Y4
 Tel 204/453-6833 Fax 204/453-3803 e mail CDNTOOL1@resonet.com

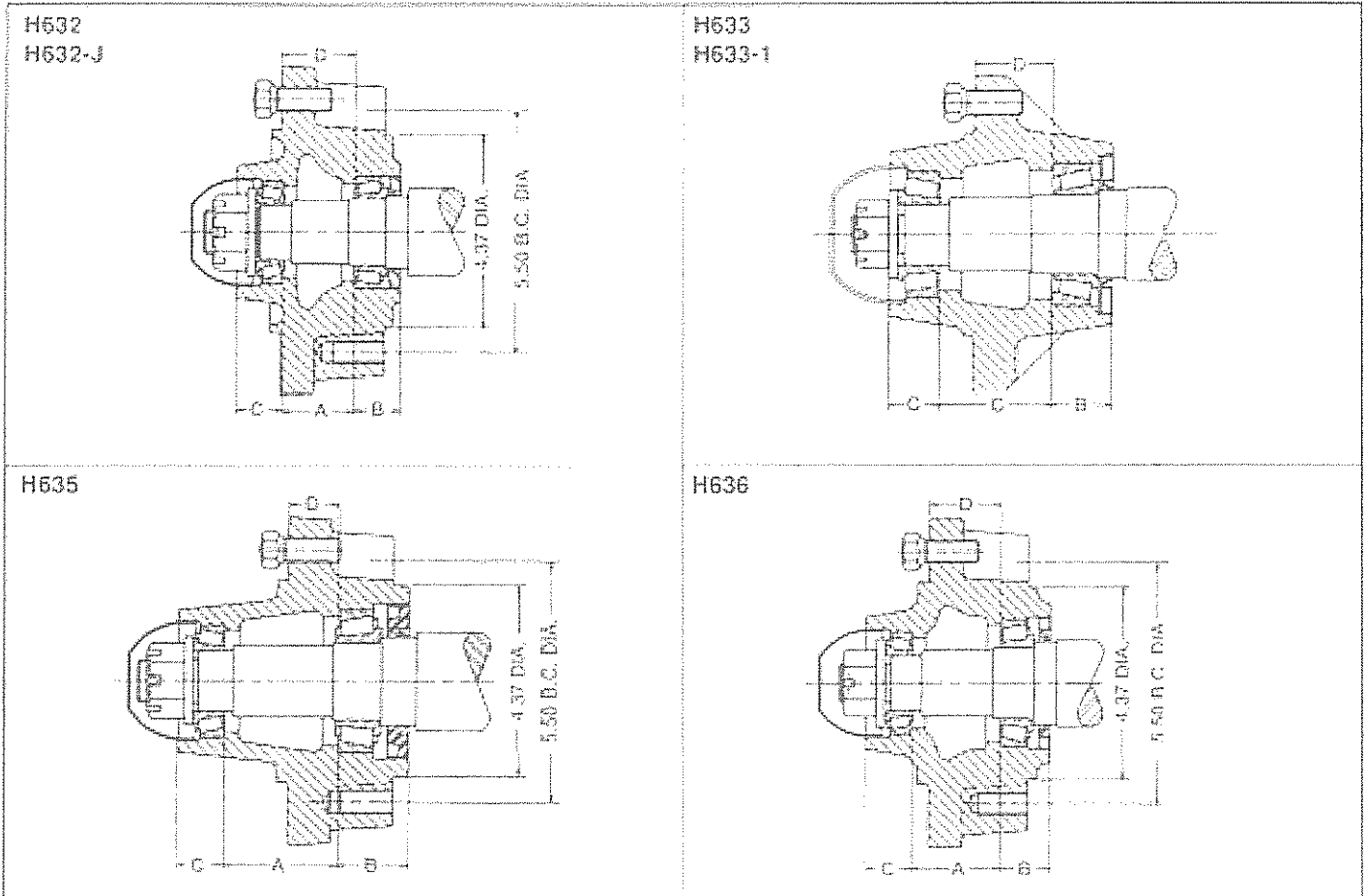




HUBS & COMPONENT PARTS

6 BOLT, 6" BOLT CIRCLE, 4.62" PILOT

for Convex Wheels shown on page 10



HUB ORDER NO.	BEARING ORDERING NO.						PARTS ORDERING NO.			A	B	C	D	CAP LBS.	SPINDLE SERIES PAGE 20
	INNER CUP	OUTER CUP	INNER CONE	INNER BORE	OUTER CONE	OUTER BORE	DUST CAP	WHEEL BOLT	GREASE SEAL						
H632**	LM-29710	LM-67010	LM-29749	1.50	LM-67048	1.25	DC10	WB10	SE13	1.55	1.00	1.06	1.62	3600	S611-
H632-J**	JL-69310	LM-67010	JL-69349	1.49	LM-67048	1.25	DC13	WB10	SE14	1.55	1.03	1.06	1.62	3600	S611-1-J-
H633	25520	25821	25590	1.79	25877	1.37	DC17	WB12	SE16	2.50	1.37	1.52	1.75	4910	S633-
H633-1	25520	25821	25590	1.79	25977	1.37	DC17	WB12	SE47	2.50	1.37	1.52	1.75	4910	S633-
H635**	25520	LM-48510	LM-25580	1.75	LM-48548	1.37	DC15	WB12	SE30	2.53	1.53	1.06	1.69	6000	S618-
H636	LM-501310	LM-67010	LM-501349	1.62	LM-67048	1.25	DC13	WB10	SE46	2.00	1.12	1.06	1.62	4670	S631-

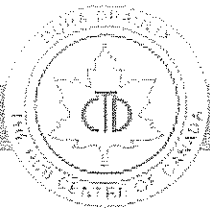
* Hub Capacities Based on 1.12 Positive Offset 20,000 Mile Minimum Bearing Life at Tractor Speed (20MPH) and 14,000 PSI. Maximum Fiber Stress on the Spindle.

** For Brake Application.

CANADIAN TOOL & DIE LTD.

1331 Chevrier Blvd., Winnipeg, Manitoba, Canada R3T 1Y4
 Tel 204/453-6833 Fax 204/453-3803 e mail CDNT001@resonet.com

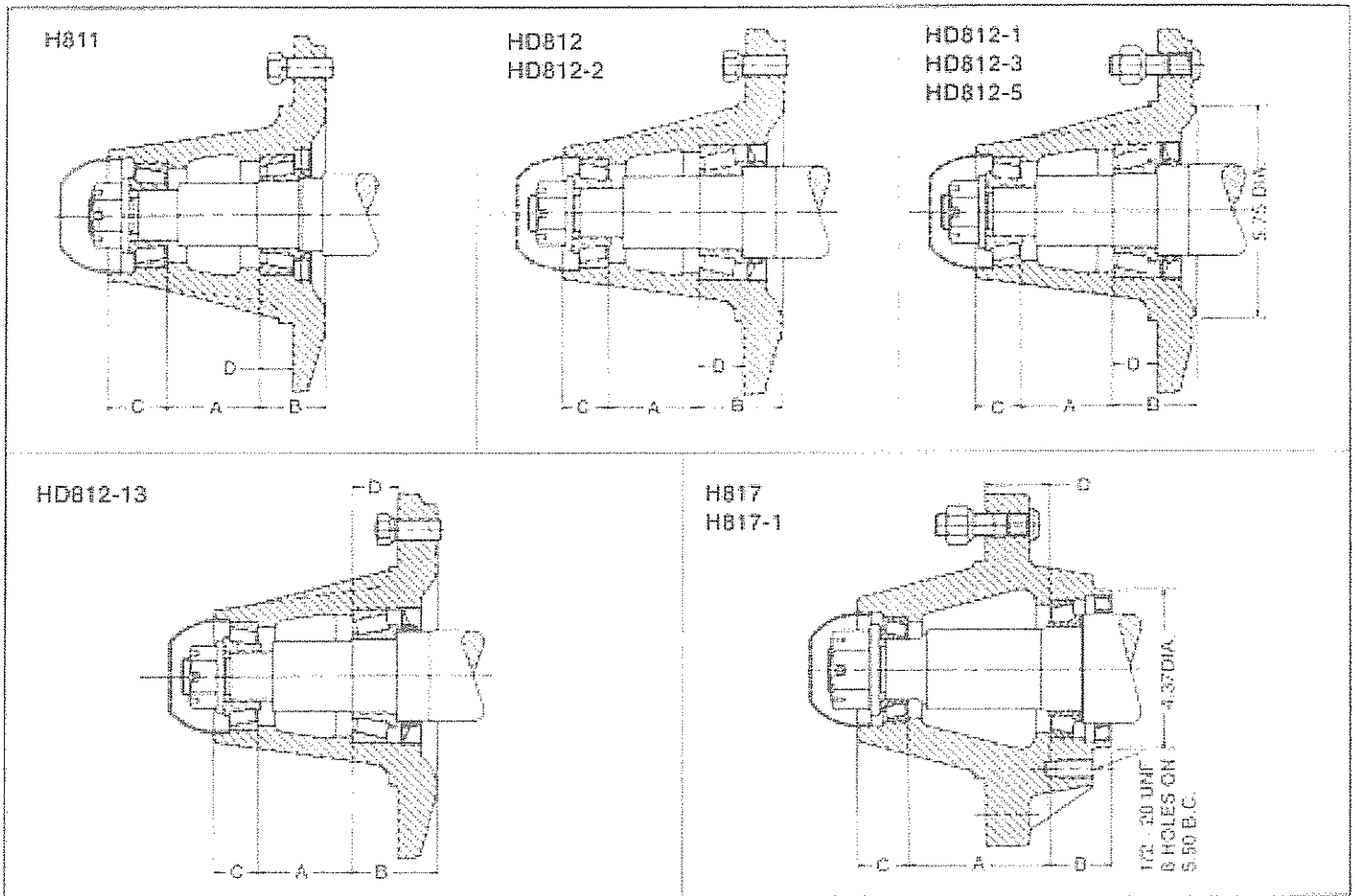




HUBS & COMPONENT PARTS

8 BOLT, 8" BOLT CIRCLE, 6" PITCH

for Agricultural Wheels shown on page 14



HUB ORDER NO.	BEARING ORDERING NO.						PARTS ORDERING NO.			A	B	C	D	CAP LBS.	SPINDLE SERIES PAGE 20
	INNER CUP	OUTER CUP	INNER CONE	INNER BORE	OUTER CONE	OUTER BORE	DUST CAP	WHEEL BOLT	GREASE SEAL						
H811	25520	25821	25590	1.79	25877	1.97	DC17	WB12	SE16	2.50	1.75	1.50	.87	5050	S811-
HD812	3720	2720	3760	2.00	2790	1.31	DC17	WB12	SE17	2.44	2.28	1.21	1.21	6100	S812-
HD812-1	3720	2720	3760	2.00	2790	1.31	DC17	WB41	SE17	2.44	2.28	1.21	1.16	6100	S812-
HD812-2	3720	2720	3760	2.00	2790	1.31	DC17	WB12	SE35	2.44	2.28	1.21	1.21	6100	S812-
HD812-3	3720	2720	3760	2.00	2790	1.31	DC17	WB41	SE35	2.44	2.28	1.21	1.21	6100	S812-
HD812-5**	3720	2720	3760	2.00	2790	1.31	DC17	WB41	SE17	2.44	2.28	1.21	1.21	6100	S812-
HD812-13	3720	2720	3760	2.00	2790	1.31	DC17	WB12	SE17	2.44	2.28	1.21	1.21	6100	S812-
H817	382A	LM-501310	367AS	2.25	LM-501349	1.62	DC26	WB46	SE42	3.75	1.62	1.37	1.68	7500	S817-
H817-1**	382A	LM-501310	367AS	2.25	LM-501349	1.62	DC26	WB46	SE42	3.75	1.62	1.37	1.68	7500	S817-

*Hub Capacities Based on 1.50 Negative Offset (H817 Series Based on 1.12 Positive Offset) 20,000 mile minimum Bearing at Tractor Speed (20MPH) and 14,000 PSI. Maximum Fiber Stress on the Spindle ** For Brake Application.

CANADIAN TOOL & DIE LTD.

1331 Chevrier Blvd., Winnipeg, Manitoba, Canada R3T 1Y4

Tel 204/453-6833 Fax 204/453-3803 e mail CDNT00L1@resonet.com

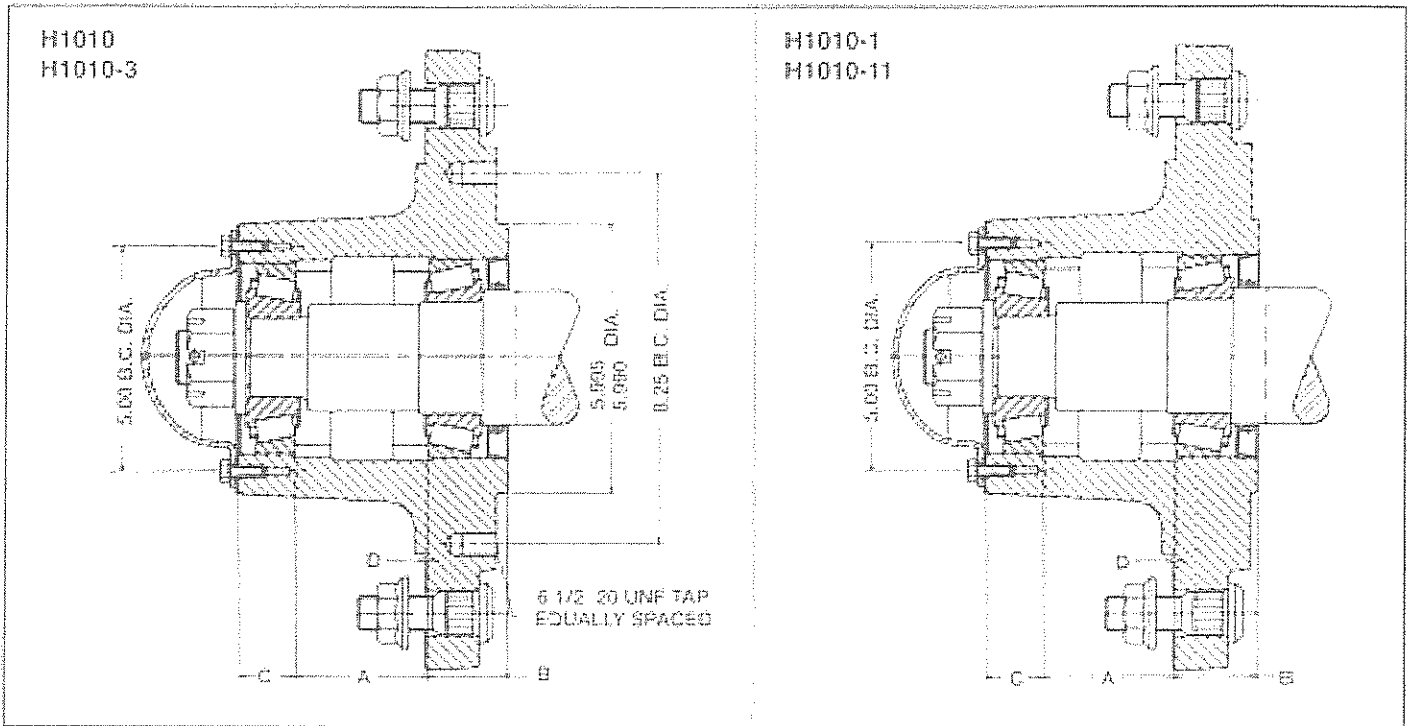




HUBS & COMPONENT PARTS

10 BOLT, 11.25" BOLT CIRCLE, 8.69" PILOT

for Agricultural application



HUB ORDER NO.	BEARING ORDERING NO.						PARTS ORDERING NO.			A	B	C	D	CAP LBS.	SPINDLE SERIES PAGE 20
	INNER CUP	OUTER CUP	INNER CONE	INNER BORE	OUTER CONE	OUTER BORE	DUST CAP	WHEEL BOLT	GREASE SEAL						
H1010**	39520	453A	39585	2.50	460	1.75	DC27	WB51 WB52	SE48	2.81	1.75	1.25	0.06	12,000	S1010
H1010-1	39520	453A	39585	2.50	460	1.75	DC27	WB51 WB52	SE48	2.81	1.75	1.25	0.06	12,000	S1010
H1010-3**	33462	453A	33275	2.75	460	1.75	DC27	WB51 WB52	SE67	2.81	1.75	1.25	0.06	15,000	S1010-3
H1010-11	33462	453A	33275	2.75	460	1.75	DC27	WB51 WB52	SE67	2.81	1.75	1.25	0.06	15,000	S1010-3

Bolts (WB53) and gasket (SE49) for Dust Cap included.

* Hub Capacities based on Zero Offset 20,000 Mile Minimum Bearing Life at Tractor Speed (20MPH) and 14,000 PSI Maximum Fibre Stress on the Spindle.

** For Brake application.

All above Hubs available with Budd-type Nuts WB58.

CANADIAN TOOL & DIE LTD.

1331 Chevrier Blvd., Winnipeg, Manitoba, Canada R3T 1Y4
Tel 204/453-6833 Fax 204/453-3803 e mail CDNTOOL1@resonet.com

