

Figure 2

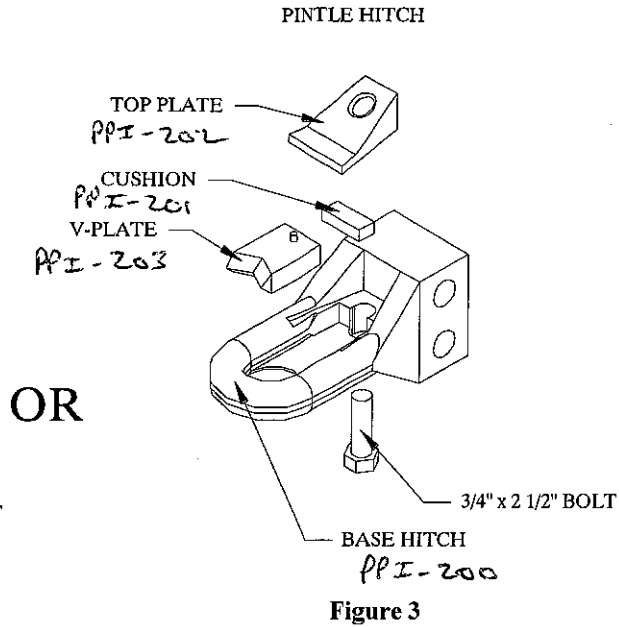


Figure 3

**Attach the Wing Rests**

**HDL-1024 through HDL-1038**

Attach the wing rests to the square frame. Refer to Figure 4. Use four 5/8" x 6" x 5 1/2" U-bolts, lock washers, and hex nuts. Do *not* tighten yet. The distance ("D" in Figure 4.) from square frame splice plate to the wing rest mounting plate varies with the model:

HDL-1024	HDL-1026 through HDL-1030	HDL-1032	HDL-1034 & HDL-1036	HDL-1038
18"	30"	8"	12"	8"

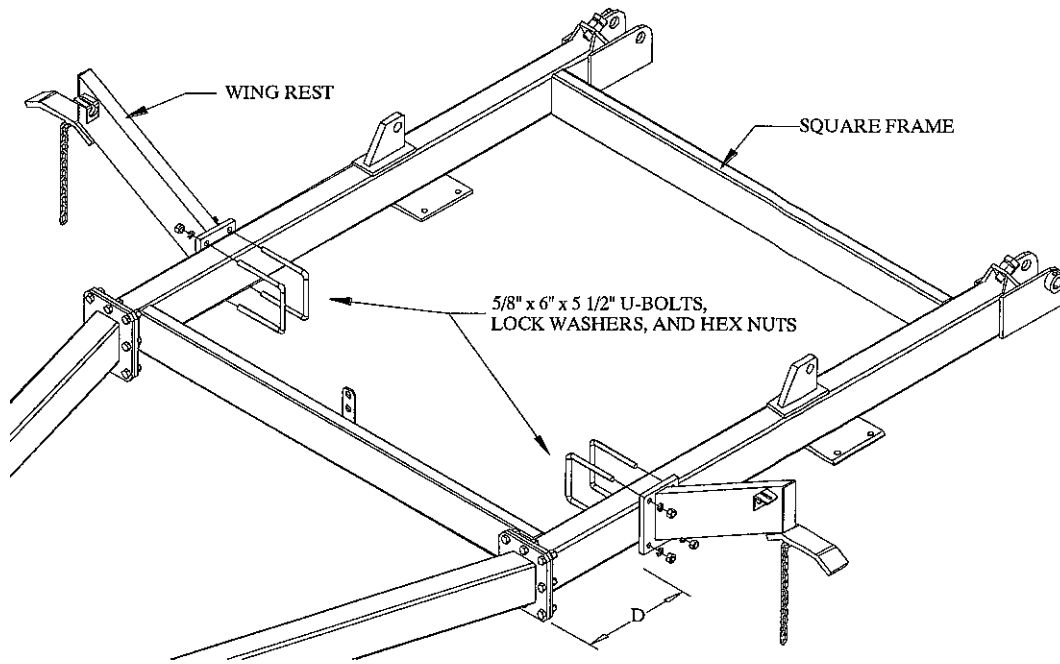


Figure 4

**HDL-1040 through HDL-1060**