



"Good enough won't do - it must be right." - K.B. Danuser, Founder 1910

PYTHON



 **GENERAL
IMPLEMENT**
DISTRIBUTORS

WIRE WINDER

THE PYTHON WIRE WINDER ATTACHMENT LEVERAGES AN AUGER SYSTEM ALLOWING USERS TO EASILY ROLL FENCE WIRE FOR EASE OF HANDLING AND TRANSPORTATION.

- Can roll up to $\frac{3}{4}$ mile of barbed wire (12.5 gauge) or six miles of smooth wire (14 gauge)
- 2" Hex connection mounts to existing hydraulic auger drive (not for PTO use)
- 2 Tie wire locations
- 10 Slot locations to start wire
- Toolless operation
- Convenient retention pin holder locations
- Roll multiple wires at one time



WIRE UNROLLER

THE PYTHON WIRE UNROLLER EASILY UNROLLS NEW AND PYTHON-ROLLED SPOOLS OF BARBED AND SMOOTH WIRE FOR FASTER FENCING.

- Connects to a 2" receiver hitch
- Optimal clearance for open tailgates
- Rebar & T-post straightener
- Wire tensioner cleats
- Controlled spinning to help prevent backlash
- Angled frame design gives the Python Unwinder an additional 9½ inches of ground clearance



UNWINDS NEW WIRE

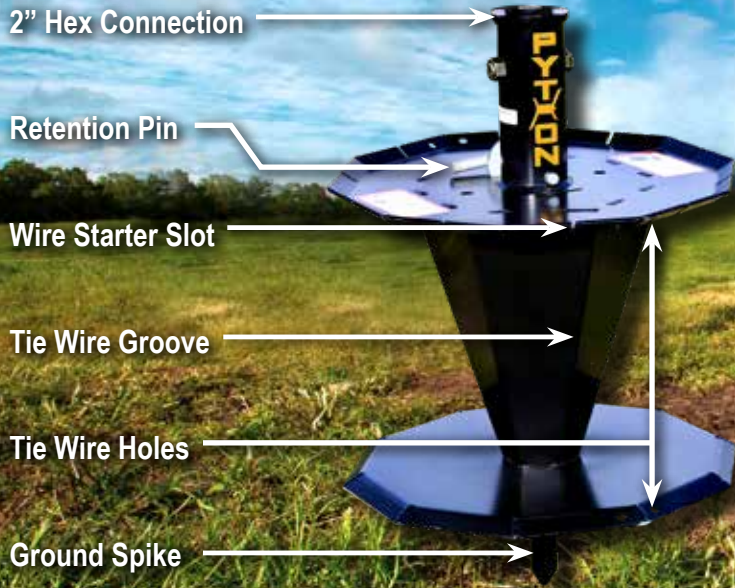


T-POST & REBAR
STRAIGHTENER

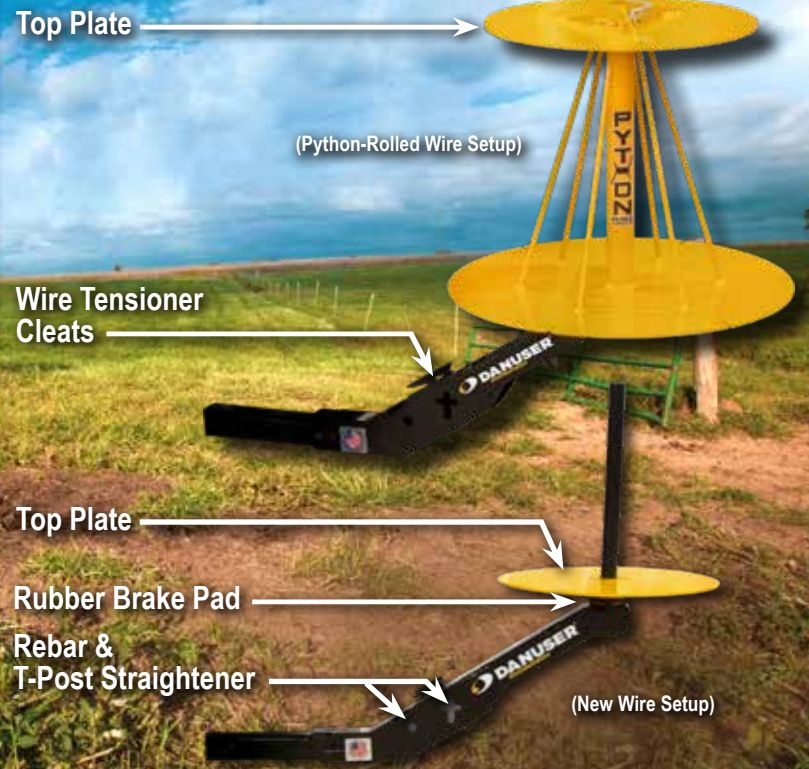


WIRE TENSIONER CLEATS

WIRE WINDER



WIRE UNROLLER



A HISTORY OF INNOVATION

Established in 1910, DANUSER has been family owned and operated by four generations. We have manufactured auger systems since the mid-1940's. With decades of design and manufacturing experience, our machines have stood the test of time. Today our commitment to our customer remains to design and build products that are the benchmark of quality, reliability, and longevity. In the words of our founder K.B. Danuser, "Good enough won't do – it must be right."

DANUSER manufactures several attachments for various equipment, serving several industries worldwide. Please visit www.danuser.com to see our full line of attachments.

Danuser reserves the right to make changes in design, specifications, and prices without notice and without incurring any obligation relating to such changes.



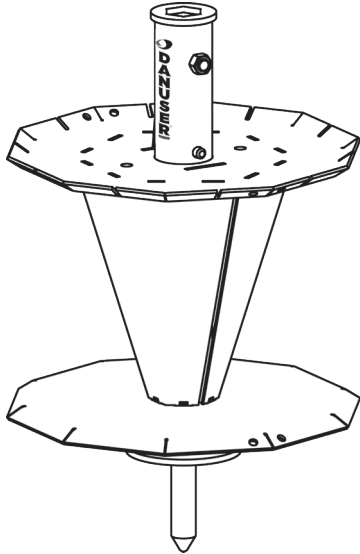
Visit danuser.com for more Danuser attachments.



PYTHON PRICE SHEET

1-Year Warranty

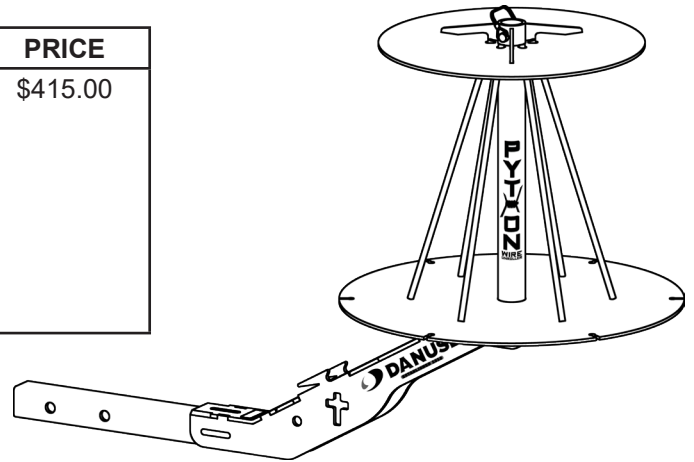
⚠ WARNING This product can expose you to chemicals known to the State of California to cause cancer and birth defects or other reproductive harm. For more information go to www.P65Warnings.ca.gov/product.



| PN | DESCRIPTION | WT. | PRICE |
|--------|---|-----|----------|
| 170610 | Python Wire Winder Can roll up to 3/4 mile barbed wire (12.5ga) or 6 miles smooth wire (14ga). 2" hex connection. Two tie-wire locations and 10 easy-start wire slots to roll multiple wires at one time. Toolless operation. | 90 | \$555.00 |

NOTE: Python Wire Winder must be used on a hydraulic auger drive unit with 2" hex output spindle. It may not be used on 3-point hitch diggers.

| PN | DESCRIPTION | WT. | PRICE |
|--------|--|-----|----------|
| 180606 | Python Wire Unroller 2" receiver/trailer hitch connection. Rebar and T-post straightening holes. Wire tensioning hooks. Rubber disc reduces backlash. Accepts most new spools of wire or bundles wound using Python Wire Winder. Toolless operation. | 70 | \$415.00 |



REPAIR PARTS & SAFETY SIGNS

To find repair parts and safety signs, see Danuser's online Parts Catalog at parts.danuser.com. The Parts Catalog includes all current user-friendly, accessible, and portable format. Be sure to have model and serial number at hand to find the correct items.