



**PULL
SAW
DIG
CARRY**



Made in the U.S.A.

"Good enough won't do - it must be right." - K.B. Danuser, Founder 1910

DOMINATE YOUR LAND

The Intimidator is ideal for eliminating trees, saplings, shrubs, rocks, bushes, and other obstructions on the job site or farm. The unmatched versatility of the Intimidator handles the toughest stumps, posts, rocks, fencerows, and land-clearing jobs.

- The Intimidator incorporates a tree/post puller, stump bucket, and rock picker all in one.
- Selective elimination with the ability to maneuver into tight locations and next to buildings or fences.
- Dig and cut roots using the replaceable excavator bucket teeth and vertical jaw saw teeth for large tree removal and/or stumps.
- The uniquely synchronized jaws, designed for less wear and tear on the vehicle, are actuated by a rear-mounted, fully-protected 3" diameter cylinder.
- Two jaw options available, smooth side or side saw tooth (cut off trees and aggressively excavate roots with bidirectional teeth).

AGGRESSIVE DESIGN



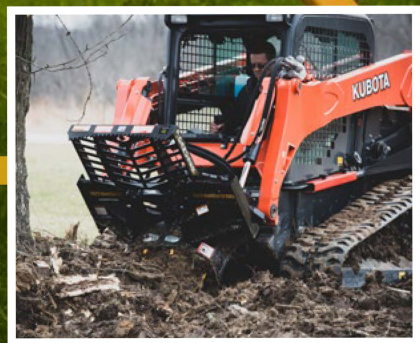
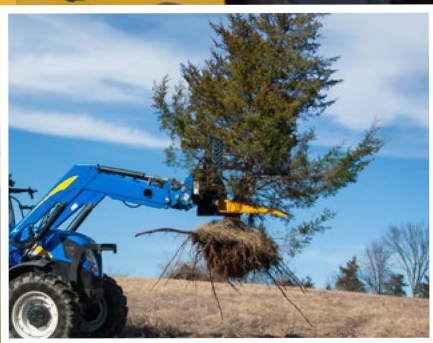
MOUNTING OPTIONS

- Skid-Steer Quick Attach
- Euro/Global Quick Attach
- Flat Back (for custom fabrication to fit other mount styles)

Maximum horsepower rating = 125 HP



INTIMIDATOR



PART ID 12200T shown

(Top View)

Brush guard teeth reduce movement of objects

Single 3" hydraulic cylinder and hoses are protected from limbs, debris, and other objects

Side bidirectional saw teeth provide a more aggressive design (12200T model only)

Pull posts/trees; clamp and carry various items

Cut/saw tree roots and remove stumps

Synchronized interlocking jaws with replaceable excavator bucket teeth for digging



A HISTORY OF INNOVATION

Established in 1910, DANUSER has been family owned and operated by four generations. We have manufactured auger systems since the mid-1940's. With decades of design and manufacturing experience, our machines have stood the test of time. Today our commitment to our customer remains to design and build products that are the benchmark of quality, reliability, and longevity. In the words of our founder K.B. Danuser, "Good enough won't do – it must be right."

DANUSER manufactures several attachments for various equipment, serving several industries worldwide. Please visit www.danuser.com to see our full line of attachments.

Danuser reserves the right to make changes in design, specifications, and prices without notice and without incurring any obligation relating to such changes.

 **DANUSER**

 **GENERAL
IMPLEMENT
DISTRIBUTORS**



Visit danuser.com for more Danuser attachments.

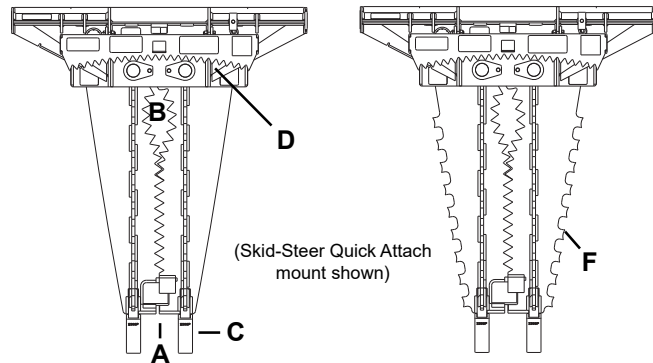
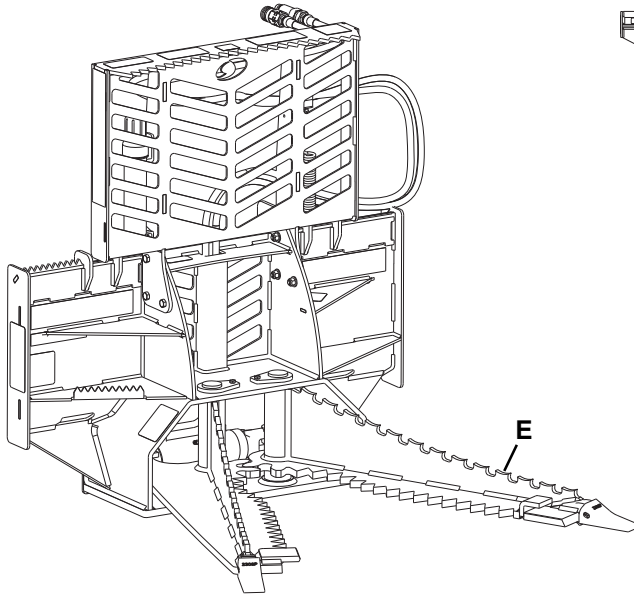


INTIMIDATOR

1-Year Warranty

Clamp & carry various items • Dig out rocks • Pull posts/trees • Cut/saw tree roots & remove stumps

⚠ WARNING This product can expose you to chemicals known to the State of California to cause cancer and birth defects or other reproductive harm. For more information go to www.P65Warnings.ca.gov/product.



- A. Interlocking jaws for digging & prying
- B. Tapered jaw opening maximizes pulling force on larger objects
- C. Excavator bucket teeth for digging & prying
- D. Teeth on brush guard reduce movement of objects
- E. Top bidirectional saw teeth to cut roots of large trees & stumps
- F. Side bidirectional saw teeth for cutting trees flush to ground; provides a more aggressive design (**models ending in "T" only**)

34" maximum jaw opening; maximum cylinder force of 21000 lbs.; synchronized interlocking jaws with excavator bucket teeth for digging, prying, and sawing; brush guard; and fully protected 138" hydraulic hoses with flat face ISO couplers.

STANDARD PN	SIDE SAW TOOTH PN	DESCRIPTION	WT.	STANDARD PRICE	SIDE SAW TOOTH PRICE
12200	12200T	Intimidator Skid-Steer Quick Attach Mount	710	\$4,155.00	\$4,435.00
12200CSE	12200CSET	Intimidator Skid-Steer Quick Attach Mount Fits Case model 1840	695	\$4,400.00	\$4,675.00
12201	12201T	Intimidator Euro/Global Quick Attach Mount	755	\$4,370.00	\$4,645.00
12200F	12200FT	Intimidator Flat Back For custom fabrication to fit other mount styles	805	\$4,605.00	\$4,880.00

FRONT-END LOADER HOSE KIT

PN	DESCRIPTION	WT.	PRICE
196056	Front-End Loader Hose Kit 1/2" hoses, 25' long, with 1/2" flush-face couplers (ISO 16028) on one end to connect to Intimidator hoses, and ISO 7241 Series A couplers (compatible with ISO 5675 Pioneer couplers) on the opposite end to connect to tractor rear remotes. Includes bolt-on/weld-on mounting bracket.	35	\$482.00

REPAIR PARTS & SAFETY SIGNS

To find repair parts and safety signs, see Danuser's online Parts Catalog at parts.danuser.com.

The Parts Catalog includes all current attachment parts and decals in a user-friendly, accessible, and portable format.

Be sure to have model and serial number at hand to find the correct items.



INTIMIDATOR

PULL - SAW - DIG - CARRY



Sales Training Guide



 **GENERAL
IMPLEMENT**
DISTRIBUTORS



CONTENTS

- Overview/Competitive Advantages
- Design
- Operating Instructions
- Sharing Tips
- How to Respond to FAQs
- For More Information

OVERVIEW

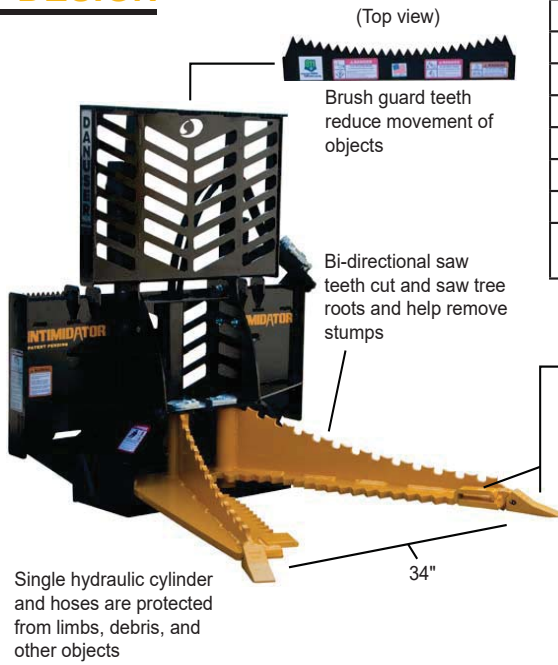
Danuser is proud to welcome the Intimidator as the newest product in our innovative line of attachments. Designed to handle the toughest trees, stumps, posts, fencerows, and land-clearing jobs, the Intimidator is unmatched in versatility and quality. Uniquely synchronized jaws, designed for less wear and tear on the vehicle, are actuated by a rear-mounted, fully-protected 3" diameter cylinder, allowing the operator to aggressively excavate objects without fear of damage to the cylinder. The vertical jaw saw teeth and replaceable excavator bucket teeth allow the operator to dig and cut roots to remove even the largest of trees and stumps. This is an ideal product for most brush, tree, and post removal projects.

COMPETITIVE ADVANTAGES

- Rear-mounted cylinder - no exposed cylinder means operator can dig deeper without fear of damage to the cylinder
- Replaceable excavator bucket teeth for digging
- Vertical jaw saw teeth design cuts tree roots to assist with removal of larger trees or stumps
- Innovative interlocking jaws provide added strength for digging
- Uniquely synchronized jaws means less wear and tear on the vehicle
- Tapered jaw opening maximizes pulling force on larger objects
- Jaws close completely to selectively remove items as small as a pencil
- 3/4" thick T1 heat treated steel jaw material for superior strength and wearability
- Standard brush guard with teeth reduces movement of objects and increases safety and protection
- Robust 2" pivot pins with easily accessible grease fittings
- Hoses routed through the back of the Intimidator to protect and reduce hose damage •
- Quick setup with factory-greased jaw pivot pins; it's ready to take control of your land



DESIGN

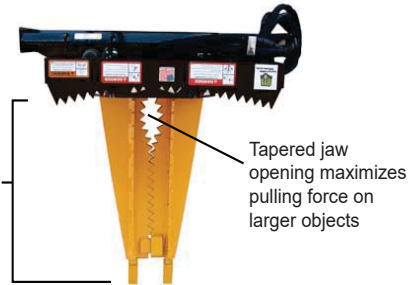


Mounting Options

Specifications	Skid-Steer	Euro/Global	Flat Back
Overall Width	46"		46.75"
Overall Length	53.75"	56.75"	53.75"
Overall Height	47.25"		
Maximum Jaw Opening	34"		
Shipping Weight	682 lbs.	695 lbs.	792 lbs.
Cylinder Size	3" bore x 6" stroke		
Maximum Continuous Operating Pressure	3000 PSI		

Synchronized interlocking jaws with replaceable excavator bucket teeth for digging

Dig with up to 40" of jaws



OPERATING INSTRUCTIONS

Please refer to the Operator's Manual for complete operating and safety information.

1. Remove any obstructions preventing safe access to the post, tree, etc. ("object") being removed.
NOTE: The maximum size of tree that can be removed will vary depending upon the soil conditions, size and species of tree, and the size of the vehicle.
2. Lower the Intimidator close to the ground, and tilt the jaws slightly downward.
3. Activate the auxiliary hydraulics to open the jaws. Drive slowly forward until the object is between the jaws. Do not use the Intimidator to grasp objects that you do not want marred from contact with the jaws.
4. Activate the auxiliary hydraulics to close the jaws, securing the object.
5. Raise the Intimidator slowly, using the vehicle loader arms to remove the object from the ground. If additional force is needed, slowly drive the vehicle forward while pulling.
6. If unable to pull the object, open the jaws, back away, and fully close the jaws. Use the bucket teeth located on the front of the jaws to excavate around the object, digging under any roots holding the object.
NOTE: Ensure the jaws are closed prior to digging or prying. Failure to do so can damage the Intimidator. Such failure and resulting damages are not covered under warranty.
7. Once the object is loosened, open the jaws and repeat the process to pull the object or push over.
8. Slowly transport the object to the desired location with the jaws tilted slightly downward, carrying the load at the minimum height required for transport.

SHARING TIPS

As you introduce the Intimidator to dealers and end-users, be sure to implement the following helpful tips:

Don't sell...Inform

- When conceptualizing a tree puller, we didn't want to make the typical tree/post puller. Our Intimidator incorporates a tree/post puller, stump bucket, and rock picker all in one.
- This is not your light-duty post puller; this is the tool for all your land clearing needs.
- With quality heavy-duty construction, incorporated versatility, and innovation, the Intimidator stands alone in the industry, untouched by the competition.

Offer an alternative solution

- What's the problem? Clearing pastures and fencerows is time-consuming, expensive (bulldozer), backbreaking (chainsaw) work. Most attachments aren't capable of pulling and digging out both large and small obstacles, so operators often need several attachments or hand tools to finish the job. What's the solution? Try the Danuser Intimidator and forget swapping attachments or bending over for hours with a chainsaw. Just grip it and rip it!

Create opportunities

- Give your customers the opportunity to try the Intimidator by performing a product demonstration.
- Encourage dealers to demonstrate the Intimidator to end-users.



HOW TO RESPOND TO FAQs

What are the hydraulic requirements to run the Intimidator?

- A. The Intimidator does not have a specific GPM. A lower GPM will slow the speed of the jaws. The cylinder is rated up to 3000 PSI.

What are my mounting options?

- A. Skid-steer quick attach, Euro/Global quick attach, or flat back for custom fabrication to fit other mount styles.

What are the skid-steer or tractor requirements?

- A. SAE quick couplers, no horsepower requirement - what you can't pull, you can dig and push.

How much cylinder force powers the jaws?

- A. The maximum cylinder force is 21000 lbs.

Does the operator need to fully close the jaws before digging?

- A. Yes, failure to close the jaws may result in damage to the jaws that will not be covered under warranty.

What type of maintenance is required?

- A. There is one grease fitting on each jaw that should be greased before each use. Make sure all hydraulic components are in good working order and all fasteners are tight.

Are there any wear/service parts on the Intimidator?

- A. Yes, the excavator bucket teeth can be replaced.

What is the largest diameter tree the Intimidator can remove?

- A. The size of the tree being pulled will be dependent upon the rated capacity of the vehicle. For larger trees, dig and cut roots to safely push over the tree. In our testing, we were able to remove up to 15" diameter cedar trees in under 15 minutes.

Will the cylinder be damaged when digging deep?

- A. No. As opposed to being exposed out in front on the jaw, the cylinder is fully protected.

Why should I use the Intimidator over a tree saw or tree shear?

- A. The Intimidator is more efficient by removing the entire tree, roots and all, which leaves no stump and limits regrowth. Typically, tree saws and tree shears are expensive and will not remove the entire tree or stump which could allow regrowth.

What is the benefit of using the Intimidator over clearing land with a bulldozer?

- A. The Intimidator has lower operating costs; you can be more selective for species removal; it's easier to remove smaller brush and trees; and, it allows the operator to get close to buildings, fencerows, and in tight locations.

What makes the Intimidator different from other tree and post pullers?

- A. The Intimidator is a combination tree and post puller, and rock picker, incorporating a stump bucket design, making it one of the most versatile land-clearing attachments on the market.

What is the Intimidator warranty?

- A. The Intimidator has a one-year warranty.

FOR MORE INFORMATION

Visit our website: www.Danuser.com



CLAMP - CARRY - STACK



Form No. 3405

