



DRIVE LIKE A PRO

ONE PERSON POST DRIVER

T-Posts • Tent Stakes • Pipe Fence • Sign Posts • Fence Posts • Railroad Ties • Median Dividers

"Good enough won't do - it must be right." - K.B. Danuser, Founder 1910



HORNET POST DRIVER

Available for skid-steers, backhoes & excavators!

- Jackhammer style power cell offers controlled high-speed driving performance.
- Tilt option allows 20° tilt left or right.
- Hydraulic grapple option allows one person to pick up, load, and drive posts.
- Standard flow control valve allows for use on a wider range of hydraulic systems, including high flow machines, without accelerated wear on the driver.
- Additional weight kit option (skid-steer models only) helps fine tune the weight of the driver to match the operating capacity of the vehicle and increases driving speed up to 50%.
- Choose a domed, flat, or railroad tie flat (T8-RR only) driving tool.
- Tool-less quick change eliminates the need for hammer and punch when changing driving tools.
- Skid-steer mounted machine includes a post holder frame with tie down for transporting posts/pipe.
- 1-Year Warranty.

MODEL TYPES

T7: T-post to 7" O.D. post/pipe

T8-RR: T-post to 8" O.D. post/
pipe or railroad tie



T7 skid-steer
mount with
grapple & tilt
options with tilt
engaged



T8-RR excavator
mount with grapple
& tilt options

ACCESSORIES / OPTIONS

Driving Tools

- **Domed:** (PN 196067: T7/ 196074: T8-RR) Suitable for all types of posts.
- **Flat:** (PN 196067F: T7/ 196074F: T8-RR) Generally used for wood posts.
- **T8-RR Railroad Tie Flat:** (PN 196074R: T8-RR) Generally used for 7"x9" railroad ties or other posts up to 12" diameter.



Additional Weight Kit

(PN 214201: with tilt/ 200076: without tilt)

For skid-steer models only.

Reduces vibration and increases driving speed up to 50%.

Grapple Option

May be added to any base model machine for one-person operation.

See danuser.com for part number.

Tilt Option

May be added to any base model machine for tilt up to 20° left or right.

See danuser.com for part number.

T-Post Adapter

(PN 21149)

Required for driving T-posts. If using Domed Driving Tool, must order T-Post Adapter Domed Driving Tool Kit (PN 220011).



*Rock Spike

(PN 236090)

For use on all versions of T8-RR only. Use to create pilot holes for posts in rocky areas. Overall length 60".



*Concrete Breaker

(PN 236080: T7/ 236082: T8-RR)

Use to break rock and reinforced concrete. Tool has a moil style point.



Wiring Harness

For skid-steer models only.

Allows control of tilt function from vehicle joystick. See danuser.com for part number.



*When storing skid-mounted Hornets, the driving tool must be re-installed.



BACKHOE & EXCAVATOR MOUNTS



- Quick attach systems.
- Tool-less installation.
- Three-hole adjustment configuration for vehicle clearance.
- Mounts sold separately from base unit.



SPECIFICATIONS

For full specifications, visit danuser.com

Hornet	Model T7	Model T8-RR
Base Weight	Skid-Steer Mount: 1,290 lb. Backhoe & Excavator Mount: 975 lb.	Skid-Steer Mount: 1,485 lb. Backhoe & Excavator Mount: 1,150 lb.
Max. Strikes per Minute	500-900	400-800
Hydraulic Requirements	2,000 - 3,500 PSI 10-30 GPM	2,200 - 3,500 PSI 13-30 GPM
Driving Tool Inside Diameter (Max Post Size)	Domed: 7.27" Flat: 7.27"	Domed: 8.27" Flat: 8.27" Railroad Tie (Flat): 12.3"
Excavator Weight*	9,000 lb. and over	13,500 lb. and over
Energy Class	750 ft.-lb.	1,150 ft.-lb.
Mounts	Skid-Steer, Backhoe & Excavator Quick Attach (not for front-end loaders)	

**Do not exceed the rated operating capacity of your vehicle. The addition of a Hornet and its mount adds up to 1,600 lb. of additional weight. Verify that the vehicle has sufficient lifting capacity in each of the different vehicle positions. On Hornets with a grapple, the post weight will need to be considered as additional weight for lifting capacity considerations.*



A HISTORY OF INNOVATION

Established in 1910, DANUSER has been family owned and operated by four generations. We have manufactured auger systems since the mid-1940's. With decades of design and manufacturing experience, our machines have stood the test of time. Today our commitment to our customer remains to design and build products that are the benchmark of quality, reliability, and longevity. In the words of our founder K.B. Danuser, "Good enough won't do – it must be right."

DANUSER manufactures several attachments for various equipment, serving several industries worldwide. Please visit www.danuser.com to see our full line of attachments.

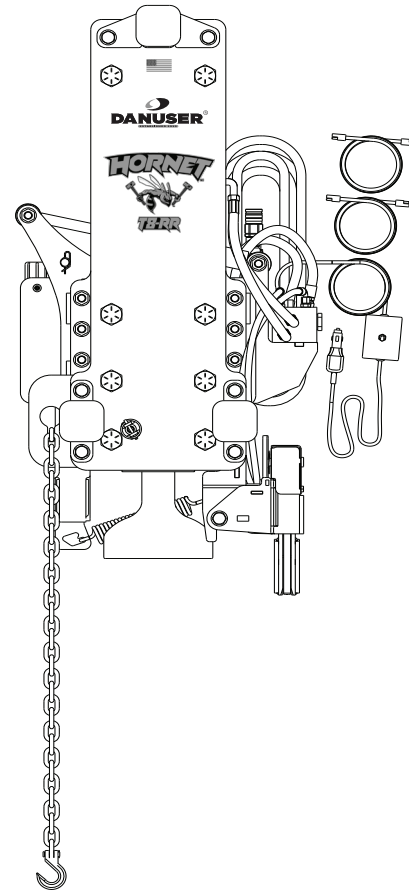
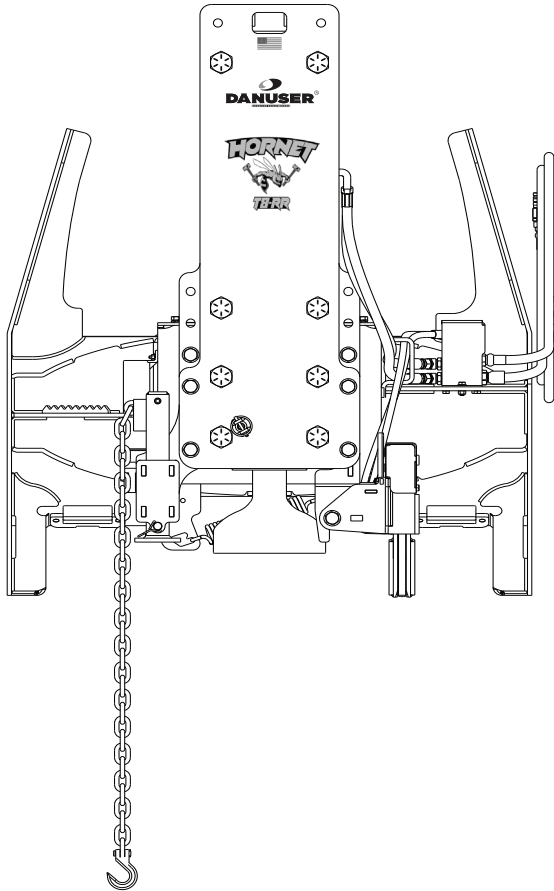
Danuser reserves the right to make changes in design, specifications, and prices without notice and without incurring any obligation relating to such changes.



HORNET SERIES PRICE SHEET

1-Year Warranty

⚠ WARNING This product can expose you to chemicals known to the State of California to cause cancer and birth defects or other reproductive harm. For more information go to www.P65Warnings.ca.gov/product.



Model	Hydraulic Requirements	Impact Rate
T7	2,000 - 3,500 PSI 10 - 30 GPM	500-900 strikes/ minute
T8-RR	2,200 - 3,500 PSI 13 - 30 GPM	400-800 strikes/ minute

INCLUDED WITH ALL HORNETS

PN	DESCRIPTION
216003	Post Pulling/Depth Gauge Chain Chain that can be used for post pulling, leveling, and as a depth gauge. 84" length.
206101	Filled Nitrogen Bottle
206102	Nitrogen Gas Charging Kit

TO PRICE A COMPLETE SYSTEM:

Hornet Model _____

Driving Tool(s) _____

Mount - Backhoe & Excavator
Models Only _____

Optional Wiring Harness/ Battery
Wiring Harness _____

Accessories _____

Freight _____

TOTAL _____

SKID-STEER MOUNT

Not for Front-End Loaders.

Does NOT include driving tool. See next page for driving tool options.

PN	DESCRIPTION	WT.	PRICE
214050	Hornet T7 Hydraulic jackhammer style driver drives T-post up to 7" diameter posts. Integrated post puller. Includes high abrasion resistant hoses and hose fittings with 1/2" flush-face couplers (ISO 16028). Does NOT include driving tool. See next page for driving tool options.	1,290	\$9,345.00
214050L	Hornet T7 Loaded Includes factory-installed additional weight kit. Increases driving speed up to 50% faster than base unit. Does NOT include driving tool. See next page for driving tool options.	1,906	\$11,965.00
214051	Hornet T7 with Grapple Grapple for one-person operation. Does NOT include driving tool.	1,410	\$10,400.00
214051L	Hornet T7 with Grapple Loaded Includes grapple and factory-installed additional weight kit. Increases driving speed up to 50% faster than base unit. Does NOT include driving tool. See next page for driving tool options.	2,026	\$13,020.00
214052	Hornet T7 with Tilt Tilt left or right up to 20°. Includes diverter switch and plug adapter that connects to a 12-volt auxiliary power outlet inside the cab. Does NOT include driving tool. See next page for driving tool options.	1,425	\$13,015.00
214052L	Hornet T7 with Tilt Loaded Includes tilt and factory-installed additional weight kit. Does NOT include driving tool. See next page for driving tool options.	2,041	\$15,075.00
214053	Hornet T7 with Grapple and Tilt Does NOT include driving tool. See next page for driving tool options.	1,535	\$14,165.00
214053L	Hornet T7 with Grapple and Tilt Loaded Includes grapple, tilt, and factory-installed additional weight kit. Does NOT include driving tool. See next page for driving tool options.	2,151	\$16,225.00

PN	DESCRIPTION	WT.	PRICE
214100	Hornet T8-RR Hydraulic jackhammer style driver drives T-posts up to 8" diameter posts. Integrated post puller. Includes high abrasion resistant hoses and hose fittings with 1/2" flush-face couplers (ISO 16028). Does NOT include driving tool. See next page for driving tool options.	1,485	\$10,131.00
214100L	Hornet T8-RR Loaded Includes factory-installed additional weight kit. Increases driving speed up to 50% faster than base unit. Does NOT include driving tool. See next page for driving tool options.	2,101	\$12,751.00
214101	Hornet T8-RR with Grapple Grapple for one-person operation. Does NOT include driving tool.	1,615	\$11,186.00
214101L	Hornet T8-RR with Grapple Loaded Includes grapple and factory-installed additional weight kit. Increases driving speed up to 50% faster than base unit. Does NOT include driving tool. See next page for driving tool options.	2,231	\$13,806.00
214102	Hornet T8-RR with Tilt Tilt left or right up to 20°. Includes diverter switch and plug adapter that connects to a 12-volt auxiliary power outlet inside the cab. Does NOT include driving tool. See next page for driving tool options.	1,590	\$13,801.00
214102L	Hornet T8-RR with Tilt Loaded Includes tilt and factory-installed additional weight kit. Does NOT include driving tool. See next page for driving tool options.	2,206	\$15,861.00
214103	Hornet T8-RR with Grapple and Tilt Does NOT include driving tool. See next page for driving tool options.	1,710	\$14,951.00
214103L	Hornet T8-RR with Grapple and Tilt Loaded Includes grapple, tilt, and factory-installed additional weight kit. Does NOT include driving tool. See next page for driving tool options.	2,326	\$17,011.00

BACKHOE & EXCAVATOR MOUNT

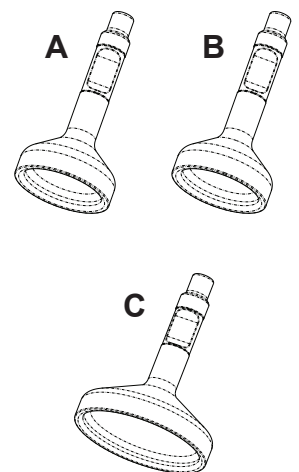
Does NOT include driving tool. See Hornet Driving Tools table below for driving tool options.
Does NOT include mount. See next page for mounts.

PN	DESCRIPTION	WT.	PRICE
214054	Hornet T7 - (Rated for Excavator weight 9,000 lb. and over) Hydraulic jackhammer style driver drives T-post up to 7" diameter posts. Integrated post puller. Includes high abrasion resistant hoses and hose fittings with 1/2" flush-face couplers (ISO 16028). Does NOT include driving tool. See table below for driving tool options.	975	\$8,365.00
214055	Hornet T7 with Grapple Grapple for one-person operation. Does NOT include driving tool. See table below for driving tool options.	1,110	\$9,515.00
214056	Hornet T7 with Tilt Tilt left or right up to 20°. Includes diverter switch and plug adapter that connects to a 12-volt auxiliary power outlet inside the cab. Does NOT include driving tool. See table below for driving tool options.	1,100	\$11,395.00
214057	Hornet T7 with Grapple and Tilt Does NOT include driving tool. See table below for driving tool options.	1,235	\$12,575.00

PN	DESCRIPTION	WT.	PRICE
214104	Hornet T8-RR - (Rated for Excavator weight 13,500 lb. and over) Hydraulic jackhammer style driver drives T-posts up to 8" diameter posts. Integrated post puller. Includes high abrasion resistant hoses and hose fittings with 1/2" flush-face couplers (ISO 16028). Does NOT include driving tool. See table below for driving tool options.	1,150	\$9,151.00
214105	Hornet T8-RR with Grapple Grapple for one-person operation. Does NOT include driving tool. See table below for driving tool options.	1,275	\$10,301.00
214106	Hornet T8-RR with Tilt Tilt left or right up to 20°. Includes diverter switch and plug adapter that connects to a 12-volt auxiliary power outlet inside the cab. Does NOT include driving tool. See table below for driving tool options.	1,285	\$12,211.00
214107	Hornet T8-RR with Grapple and Tilt Does NOT include driving tool. See table below for driving tool options.	1,410	\$13,361.00

DRIVING TOOLS

REF.	PN	DESCRIPTION	WT.	PRICE
A	196067F	T7 Flat Driving Tool 7.27" I.D. Generally used for wood posts up to 7" diameter.	59	\$635.00
B	196067	T7 Domed Driving Tool 7.27" I.D. Suitable for all types of posts up to 7" diameter. Facilitates post centering during driving. Be aware it may deform wood posts.	56	\$635.00
--	196074F	T8-RR Flat Driving Tool 8.27" I.D. Generally used for wood posts up to 8" diameter.	78	684.00
--	196074	T8-RR Domed Driving Tool 8.27" I.D. Suitable for all types of posts up to 8" diameter. Facilitates post centering during driving. Be aware it may deform wood posts.	74	\$684.00
C	196074R	T8-RR Railroad Tie Flat Driving Tool 12.3" I.D. Generally used for 7" x 9" rail road ties or other posts up to 12" diameter.	138	\$1,494.00



BACKHOE & EXCAVATOR QUICK ATTACH MOUNTING KITS

BACKHOE

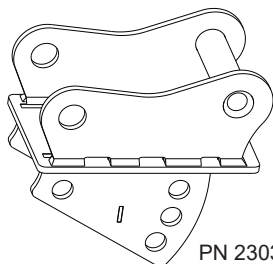
PN	MAKES & MODELS	WT.	PRICE
230332	CAT 420D, 420E (PIN GRABBER)	100	\$695.00
230330	CASE 580 SUPER L SERIES 1&2	100	\$595.00
230328	JD 310, 410 (FITS ALL SERIES EXCEPT G)	80	\$395.00

EXCAVATOR

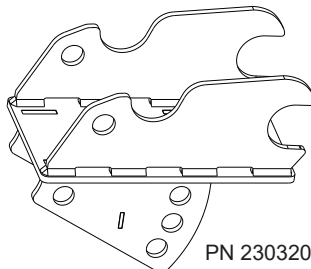
* US models only. Will not fit gray market machines.

PN	MAKES & MODELS	WT.	PRICE
200052	BOBCAT X-CHANGE	55	\$495.00
240090	BOBCAT E85	85	\$395.00
240088	CASE CX80	80	\$395.00
230336	CAT 304E, E2	55	\$295.00
230334	CAT 305.5E, 304C CR	65	\$395.00
200150	CAT 308, 309	80	\$395.00
190029	JD 26D, 26G, 26P, 30D, 30G, 30P, 35D, 35G, 35P (WEDGE)	55	\$295.00
200050	JD 50D, 50G, 50P, 60D, 60G, 60P (WEDGE), HITACHI ZX50	70	\$395.00
*230320	KUBOTA KX057, U55, U48	80	\$295.00
*200048	KUBOTA KX080	60	\$395.00
*230322	KUBOTA KX161-3, U45	75	\$295.00
*200046	KUBOTA KX040, KX91-3, KX121-3	60	\$295.00
240092	SANY SY60	70	\$395.00
230324	TAG PIN GRAPPER STYLE (QUICK COUPLER)	65	\$395.00
200057	TAG QC27 STYLE (QUICK COUPLER)	55	\$295.00
200060	TAG QC30 STYLE (QUICK COUPLER)	75	\$595.00
230326	TAKEUCHI TB250 (PIN GRABBER)	65	\$395.00
200113	YANMAR VIO45, VIO50, VIO55 (QUICK COUPLER)	70	\$295.00
240074	YANMAR VIO80, SV100 (QUICK COUPLER)	74	\$395.00
200136	BLANK UNIVERSAL MOUNT	60	\$215.00

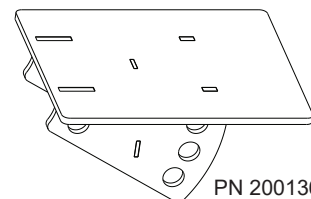
If you do not see your make or model listed, contact Danuser.



PN 230328



PN 230320

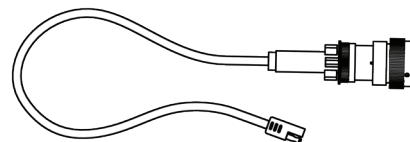


PN 200136

OPTIONAL WIRING HARNESES

**Allows Hornet tilt function operation from vehicle joy stick controls. 12" length.
Replaces 12-volt auxiliary power port plug on T7 and T8-RR standard harness.**

PN	DESCRIPTION	WT.	PRICE
21220-1	Wiring Harness 8-Pin Used on ASV, Caterpillar, Komatsu, Terex	2	\$192.00
21220-2	Wiring Harness 14-pin Used on Bobcat (prior to 1999), Case, JCB, Kubota, New Holland, Takeuchi, Volvo	2	\$192.00
21220-3	Wiring Harness 14-pin Deere Used on John Deere	2	\$192.00
21220-4	Wiring Harness 14-pin Caterpillar Used on Caterpillar	2	\$192.00
21220-5	Wiring Harness 14-pin Used on Bobcat (1999 and current), Gehl	2	\$192.00
*21220-U1	Wiring Harness 8-pin Universal wiring harness. Contacts are crimped on wire but not installed in connector.	2	\$192.00
*21220-U2	Wiring Harness 14-pin Universal wiring harness. Contacts are crimped on wire but not installed in connector.	2	\$192.00

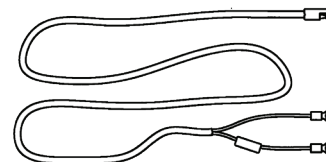


Danuser takes care to ensure the accuracy of the information contained in this price sheet. We assume no liability for errors contained herein. It is the responsibility of the installer to ensure that all of the products are correct before installation. Proper assembly always requires that the installer use all instructions and safety procedures. We assume no liability for any errors made in product selection or installation.

*** Requires connector contacts be installed in a switchable +12 V pin location and ground pin location. Mapping of skid-steer connector pins required.**

BATTERY WIRING HARNESS

PN	DESCRIPTION	WT.	PRICE
21253	Wiring Harness - Battery Connection Connects to vehicle battery to supply power for tilt function. Replaces 12-volt auxiliary power port plug on T7 or T8-RR standard harness.	2	\$63.00



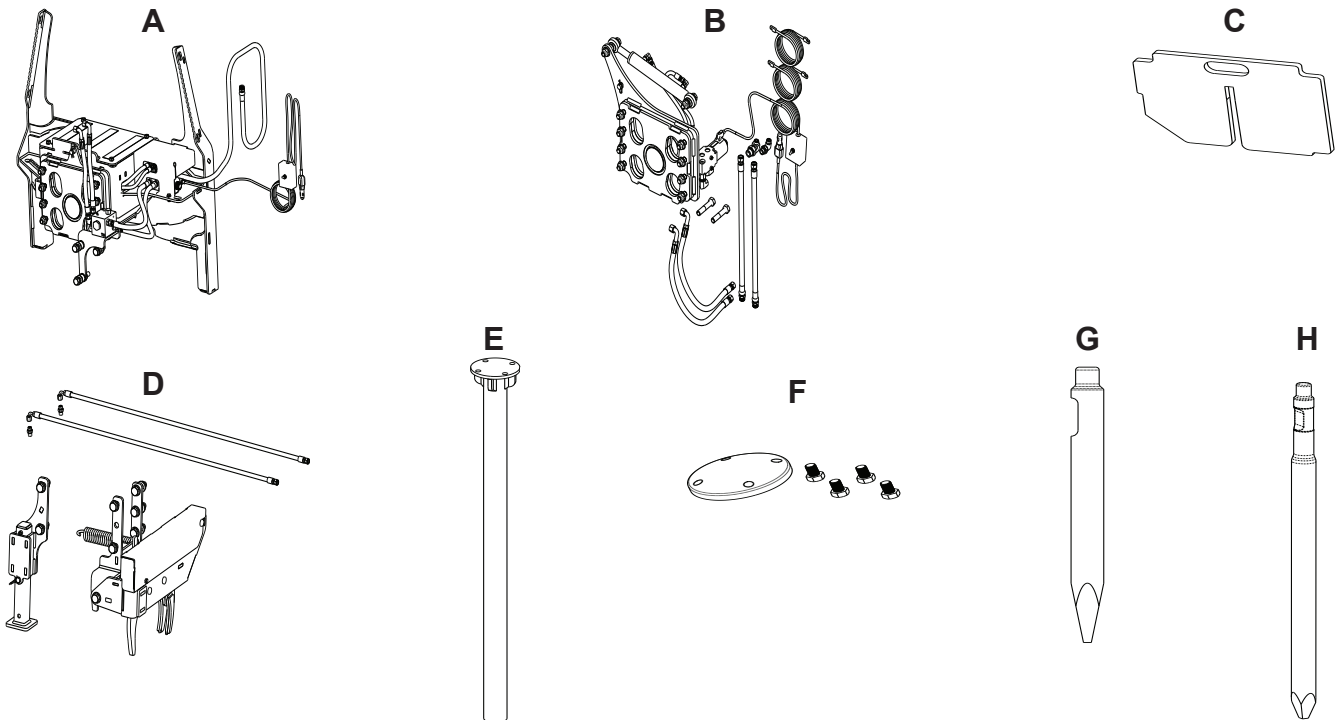
ACCESSORIES

REF.	PN	DESCRIPTION	WT.	PRICE
A	214200	T7 Skid-Steer Tilt Kit Tilt left or right up to 20°. May be added to T7 Hornet only. Includes diverter switch and plug adapter that connects to a 12-volt auxiliary power outlet inside the cab.	675	\$5,680.00
B	214202	T7 Backhoe & Excavator Tilt Kit Tilt left or right up to 20°. May be added to T7 Hornet only. Includes diverter switch and plug adapter that connects to a 12-volt auxiliary power outlet inside the cab.	170	\$3,120.00
--	214205	T8-RR Skid-Steer Tilt Kit Tilt left or right up to 20°. May be added to T8-RR Hornet only. Includes diverter switch and plug adapter that connects to a 12-volt auxiliary power outlet inside the cab.	675	\$5,680.00
--	214207	T8-RR Backhoe & Excavator Tilt Kit Tilt left or right up to 20°. May be added to T8-RR Hornet only. Includes diverter switch and plug adapter that connects to a 12-volt auxiliary power outlet inside the cab.	170	\$3,120.00
C	200076	Additional Weight Kit - Non-Tilt Hornets Add up to 14 weight plates for reduced vibration and more efficient driving. 1 weight = 44 lb., 14 weights = 616 lb. Increases driving speed up to 50% faster than base unit.	616	\$2,615.00
--	214201	Additional Weight Kit - Tilt Hornets Add up to 11 weight plates for reduced vibration and more efficient driving. 1 weight = 44 lb., 11 weights = 484 lb. Tilt intermediate weldment and additional tilt components (included with Hornet Driver) = 132 lb. Increases driving speed up to 50% faster than base unit.	484	\$2,055.00

ACCESSORIES CONT'D

* NOTE: When storing Skid-mounted Hornets, the driving tool must be re-installed

REF.	PN	DESCRIPTION	WT.	PRICE
D	210040	T7 Skid-Steer Grapple Kit - Non-Tilt Hornets Grapple for one-person operation, for skid-steer Hornet T7 models without tilt only.	122	\$1,101.00
--	214203	T7 Skid-Steer Grapple Kit - Tilt Hornets Grapple for one-person operation, for skid-steer Hornet T7 models with tilt only.	150	\$1,150.00
--	214204	T7 Backhoe & Excavator Grapple Kit Grapple for one-person operation, for backhoe & excavator Hornet T7 models only.	130	\$1,150.00
--	210041	T8-RR Skid-Steer Grapple Kit - Non-Tilt Hornets Grapple for one-person operation, for skid-steer Hornet T8-RR models without tilt only.	122	\$1,101.00
--	214208	T8-RR Skid-Steer Grapple Kit - Tilt Hornets Grapple for one-person operation, for skid-steer Hornet T8-RR models with tilt only.	150	\$1,150.00
--	214209	T8-RR Backhoe & Excavator Grapple Kit Grapple for one-person operation, for backhoe & excavator Hornet T8-RR models only.	130	\$1,150.00
E	21149	T-Post Adapter Must be added for driving T-posts. Can only be used with a flat bottom driving tool.	22	\$173.00
F	220011	T-Post Adapter Domed Driving Tool Kit Must be added to PN 21149 for driving T-Posts with a domed driving tool.	5	\$75.00
G	*236080	T7 Concrete Breaker Tool Kit For use on all versions of T7 Hornets to break rock and reinforced concrete. Tool has a moil style point.	40	\$150.00
--	*236082	T8-RR Concrete Breaker Tool Kit For use on all versions of T8-RR Hornets to break rock and reinforced concrete. Tool has a moil style point.	50	\$175.00
H	*236090	T8-RR Rock Spike Tool For use on all versions of T8-RR Hornets. Use to create pilot holes for wooden posts in rocky areas. Overall length 60".	155	\$655.00





REPAIR PARTS & SAFETY SIGNS

To find repair parts and safety signs, see Danuser's online Parts Catalog at **parts.danuser.com**.

The Parts Catalog includes all current attachment parts and decals in a user-friendly, accessible, and portable format.

Be sure to have model and serial number at hand to find the correct items.

F.O.B. FULTON, MISSOURI

Dollars are U.S. Dollars.

Danuser reserves the right to make changes in design, specifications, and prices without notice and without incurring any obligation relating to such changes.

