

Hubs

Our hubs, spindles and wheels are produced under the same roof at our 100,000 sq. ft. plant and work seamlessly together.



We manufacture a wide range of hubs our experienced group of engineers are capable of creating customized solutions to meet your specific needs. CTD's hubs are made of gray and ductile iron, can be painted or unpainted and fully assembled or delivered as loose components, depending upon your assembly needs. Grease fittings are available upon request.

Agricultural Hubs:

- 4-bolt, 5" bolt circle, 3.62" pilot
- 5-bolt, 5.5 " bolt circle, 4.00" pilot
- 6-bolt, 6 " bolt circle, 4.62" pilot
- 8-bolt, 8 " bolt circle, 6" pilot
- 10-bolt, 11.25 " bolt circle, 8.69" pilot
- 10-bolt, 13.19 " bolt circle, 11.05" pilot

With more than 65 years

servicing the agricultural, construction, mining, and oil & gas industries, our products are built to last and backed by a one year warranty.

We stand behind our workmanship, maintain rigid standards through all phases of production and believe in going the extra mile for each and every customer, just as we did when the company was founded in 1947.



MANUFACTURING



INTEGRA CASTINGS



MACHINE WORKS



CONTRACTING

The bolt circle and pilot diameter of agricultural low speed hubs have been specifically designed not to accept automotive wheels. Hub capacities are established on a 20,000 mile, B10 bearing life at tractor speed (20 m.p.h.).

All hubs must be packed with grease during assembly and lubricated every 1000 hours thereafter (as recommended by S.A.E. Standards for lubricating industrial machinery) to assure longer bearing life.

All hub component parts, except cups and studs are shipped separately unless purchased as an assembly.

CTD Ltd. also offers a range of high-speed hubs, in the following specifications:

- 4-bolt, 4.0" bolt circle, 2.50" pilot
- 5-bolt, 4.5" bolt circle, 2.43" pilot
- 5-bolt, 4.5" bolt circle, 2.50" pilot
- 5-bolt, 4.5" bolt circle, 2.55" pilot
- 5-bolt, 4.5" bolt circle, 2.81" pilot
- 5-bolt, 4.5" bolt circle, 3.28" pilot



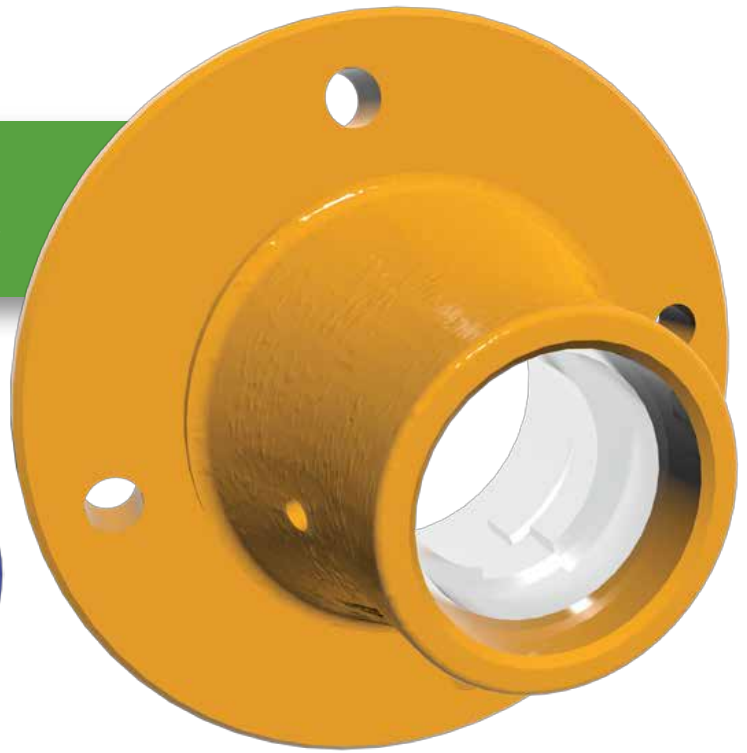
Did you know?

The CTD Group is proud to be the supplier of choice to many multinational corporations and was named one of the Top 25 Employers in Manitoba in 2010.

As a diverse and highly integrated manufacturer, we are able to provide custom solutions from start to finish with a wide variety of products and services to fit the rugged work environment and complicated needs of the agricultural, construction, mining and oil & gas industries. *Visit www.thectdgroup.com to learn how we can help save you money and increase production.*



4 Bolt Hubs



HUB NO.	BC	PILOT	CAP. LBS	INNER CUP	OUTER CUP	INNER CONE	OUTER CONE	DUST CAP	WHEEL BOLT	WHEEL NUT	SEAL
HDA211	4"	2.50"	1250	L44610	L44610	L44643	L44643	DC11	WB10	-	SE-10
HDA211-1	4"	2.50"	1020	L44610	L44610	L44649	L44649	DC11	WB10	-	SE-10
HDA211-F	4"	2.50"	1020	L44610	L44610	L44643	L44643	-	WB10	-	SE-10 (2)
*HDA211-1-F	4"	2.50"	1020	L44610	L44610	L44649	L44649	-	WB10	-	SE-10 (2)
HA410*	5"	3.62"	1500	LM67010	LM67010	LM67048	LM67048	-	WB10	-	SE-12 (2)
HA411	5"	3.62"	1250	LM67010	LM11910	LM67048	LM11949	DC12	WB10	-	SE-11
HA411-1	5"	3.62"	1250	LM67010	LM11910	LM67048	LM11949	DC12	WB10	-	SE-12
HA413	5"	3.62"	1500	LM67010	LM11910	LM67048	LM11949	DC24	WB10	-	SE-11
HA415	5"	3.62"	1260	PA98764NA INCL. WASHER WA26 (2)					WB10	-	-
HA415-1	5"	3.62"	1260	PA96964NA INCL. WASHER WA42 (2)					WB10	-	-
HDA423-1	5"	3.62"	1500	LM67010	LM67010	LM67048	LM67048	DC13	WB122	-	2762c 2763c 2764

* FOR FORK APPLICATION

** FOR BRAKE APPLICATION

GREASE FITTING AVAILABLE AT EXTRA COST

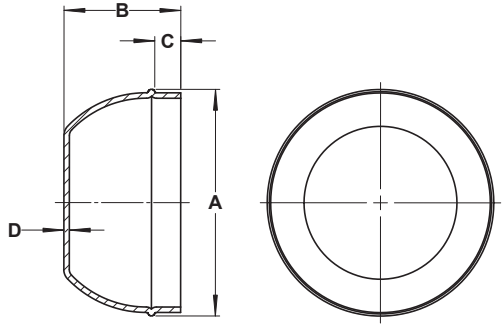




Components for 4 Bolt Hubs

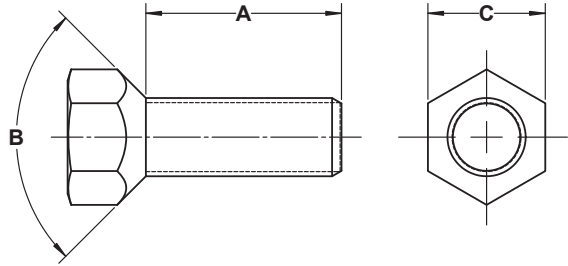
Dust Caps

CAP NO.	TYPE	A	B	C	D
DC11 (DC11Z)	A	1.980	1.18	.25	.039
DC12 (DC12Z)	A	1.940	1.00	.25	.039
DC13 (DC13Z)	A	2.445	1.31	.31	.039
DC24 (DC24Z)	A	1.956	.96	.34	.039



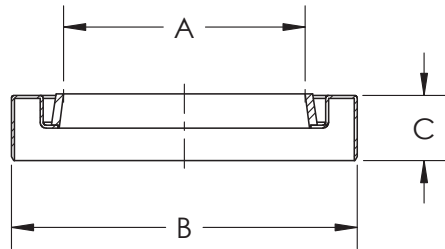
Wheel Bolts

BOLT	THREADS	A	B	C
WB10	1/2-20 UNF	1 1/4	90°	3/4
WB122	1/2-20 UNF	1	HEX	3/4

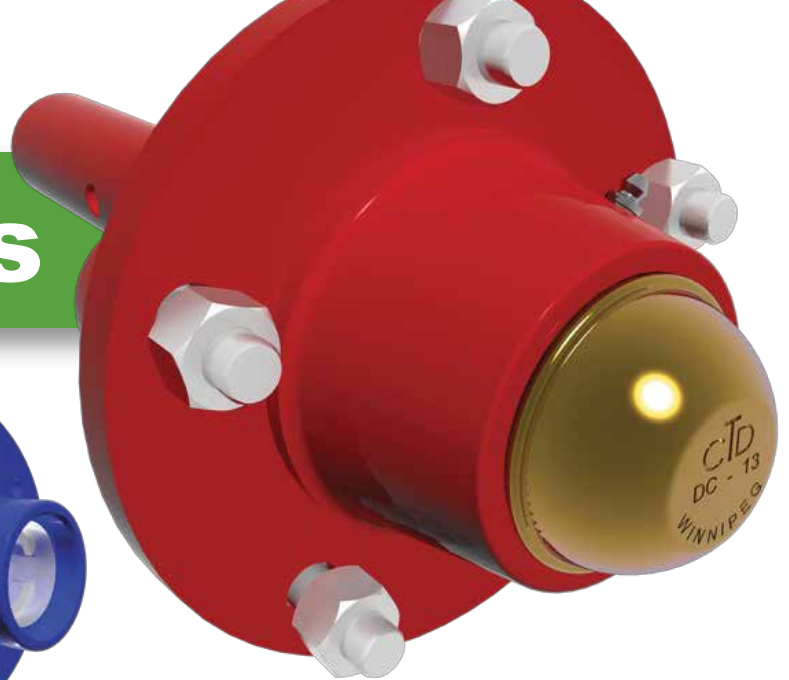


Grease Seals

SEAL NO.	TYPE	"A" ID	"B" OD	"C" WIDTH
SE-10	A	1.21	1.983	.406
SE-11	A	1.50	2.332	.500
SE-12	A	1.62	2.332	.438
2762C	A	1.493	2.966	0.540
2763C	A	1.70	2.564	0.303
2764	A	1.437	2.107	0.523



5 Bolt Hubs



HUB NO.	BC	PILOT	CAP. LBS	INNER CUP	OUTER CUP	INNER CONE	OUTER CONE	DUST CAP	WHEEL BOLT	WHEEL NUT	SEAL
HDA213	4.5"	3.28"	1250	L44610	L44610	L44643	L44643	DC11	WB10	-	SE-10
HDA213-1	4.5"	3.28"	1250	L44610	L44610	L44649	L44649	DC11	WB10	-	SE-10
HDA213-5	4.5"	2.81"	1250	L44610	L44610	L44643	L44643	DC11	WB10	-	SE-10
HDA213-F	4.5"	3.28"	1020	L44610	L44610	L44643	L44643	-	WB10	-	SE-10 (2)
HDA216-4	4.5"	2.43"	2280	LM48510	L44610	LM48548	L44649	DC11	WB13	WB11	SE-22
HA220-1	4.5"	2.5"	1250	L44610	L44610	L44643	L44643	DC11	WB54	-	SE10
HA510	5.5"	4.0"	1250	LM67010	LM11910	LM67048	LM11949	DC12	WB10	-	SE-11
HA511	5.5"	4.0"	1800	LM67010	LM11910	LM67048	LM11949	DC12	WB10	-	SE-11
HA511-2	5.5"	4.0"	1800	LM67010	LM11910	LM67048	LM11949	DC12	WB10	-	SE-11
HA511-3	5.5"	4.0"	1800	LM67010	LM11910	LM67048	LM11949	DC12	WB16	WB11	SE11
HA517	5.5"	4.0"	2760	LM48510	LM67010	LM48548	LM67048	DC13	WB16	WB11	SE-13
HA517-1	5.5"	4.0"	2760	LM48510	LM67010	LM48548	LM67048	DC13	WB16	WB11	SE-28
HA517-7	5.5"	4.0"	2760	LM48510	LM67010	LM48548	LM67048	DC13	WB16	WB11	2762c 2763c 2764
HA520*	5.5"	4.0"	3200	14276	14276	14136A	14136A	-	WB16	WB11	SE-13 (2)

* FOR FORK APPLICATION

** FOR BRAKE APPLICATION

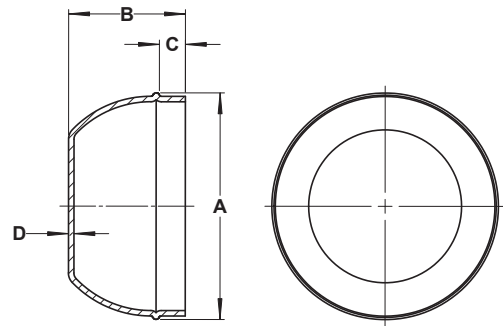
GREASE FITTING AVAILABLE AT EXTRA COST



Components for 5 Bolt Hubs

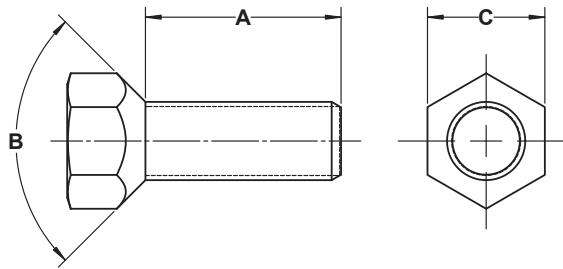
Dust Caps

CAP NO.	TYPE	A	B	C	D
DC11 (DC11Z)	A	1.980	1.18	.25	.039
DC12 (DC12Z)	A	1.940	1.00	.25	.039
DC13 (DC13Z)	A	2.445	1.31	.31	.039



Wheel Bolts

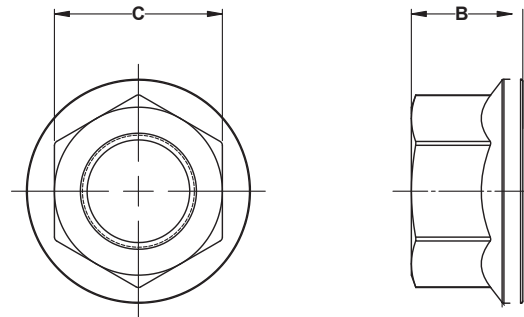
BOLT	THREADS	A	B	C
WB10	1/2-20 UNF	1 1/4	90°	3/4
WB54	1/2-20 UNF	7/8	60°	3/4



STUD BOLT	THREADS	A	B	C
WB13	1/2-20 UNF	1 5/8	9/16	5/8
WB16	1/2-20 UNF	1 7/8	9/16	5/8

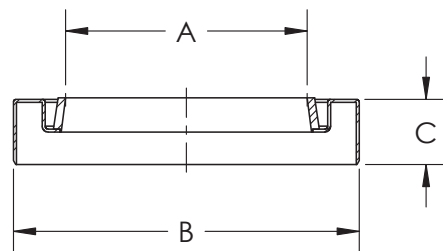
Wheel Stud Nuts

NUT	THREADS	A	B	C
WB11	1/2-20 UNF	90°	5/8	13/16

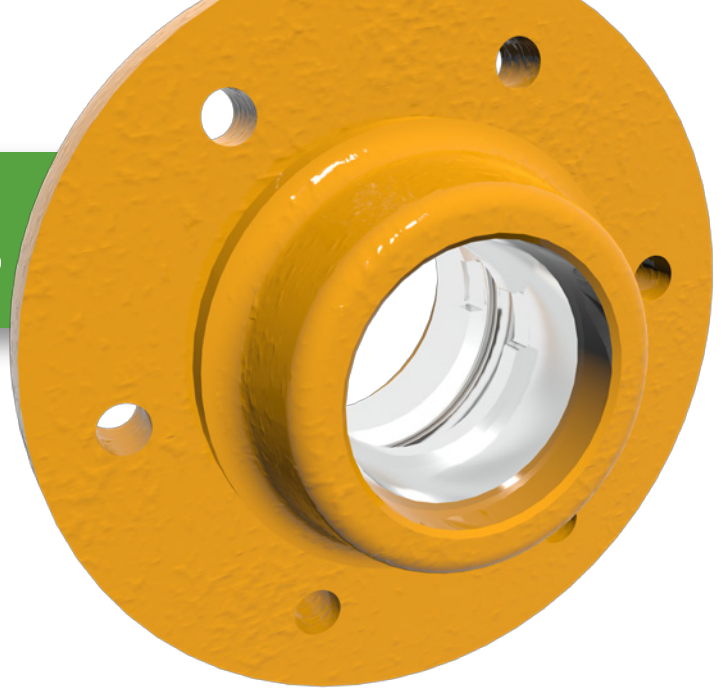
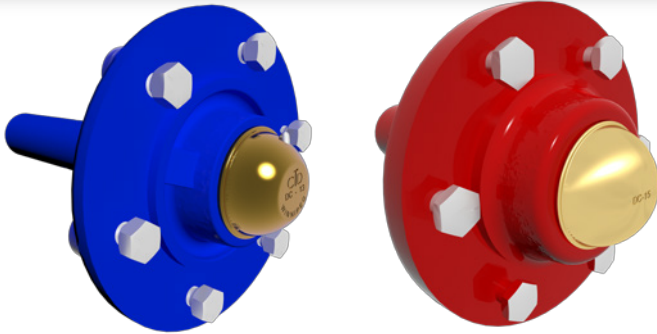


Grease Seals

SEAL NO.	TYPE	"A" ID	"B" OD	"C" WIDTH
SE-10	A	1.21	1.983	.406
SE-11	A	1.50	2.332	.500
SE-13	A	1.75	2.722	.359
SE-22	A	1.68	2.566	.500
SE-28	A	1.50	2.627	.250
2762C	A	1.493	2.966	.540
2763C	A	1.70	2.564	.303
2764	A	1.437	2.107	.523



6 Bolt Hubs



HUB NO.	BC	PILOT	CAP. LBS	INNER CUP	OUTER CUP	INNER CONE	OUTER CONE	DUST CAP	WHEEL BOLT	WHEEL NUT	SEAL
HA610*	6"	4.62"	3800	LM48510	LM48510	LM48548	LM48548	-	WB12	-	SE-14 (2)
HA611	6"	4.62"	3600	LM29710	LM67010	LM29749	LM67048	DC13	WB10	-	SE-13
HA611-1	6"	4.62"	3600	LM29710	LM67010	LM29749	LM67048	DC13	WB10	-	SE-14
HA611-3	6"	4.62"	2840	LM48510	LM67010	LM48548	LM67048	DC13	WB10	-	SE-28
HA611-1-J	6"	4.62"	3600	JL69310	LM67010	JL69349	LM67048	DC13	WB10	-	SE-14
HA613	6"	4.62"	2930	LM29710	LM67010	LM29749	LM67048	DC13	WB16	WB11	SE-13
HA614	6"	4.62"	5000	LM603011	LM48510	LM603049	LM48548	DC15	WB12	-	SE-16
HA615-1	6"	4.62"	5000	LM603011	LM48510	LM603049	LM48548	DC15	WB12	-	SE-29
HA617-1*	6"	4.62"	3500	13621	13621	13686	13686	-	WB16	WB11	SE-24 (2)
HA618	6"	4.62"	6000	25520	LM48548	25580	LM48548	DC15	WB12	-	SE-30
HA628	6"	4.62"	5000	2720	2720	2788	2788	-	WB12	-	SE-29 (2)
HA630	6"	4.62"	3500	LM501310	LM67010	LM501349	LM67048	DC13	WB12	-	SE-44
HA631	6"	4.62"	4750	LM501310	LM67010	LM501349	LM67048	DC13	WB10	-	SE-46
HA632**	6"	4.62"	3600	LM29710	LM67010	LM29749	LM67048	DC13	WB10	-	SE-13
HA633	6"	4.62"	4910	25520	25821	25590	25877	DC17	WB12	-	SE-16
HA635**	6"	4.62"	6000	25520	LM48510	25580	LM48548	DC15	WB12	-	SE-30

* FOR FORK APPLICATION

** FOR BRAKE APPLICATION

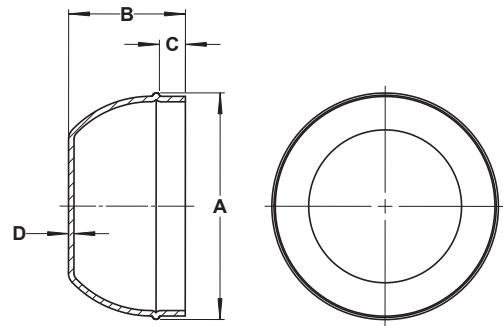
GREASE FITTING AVAILABLE AT EXTRA COST



Components for 6 Bolt Hubs

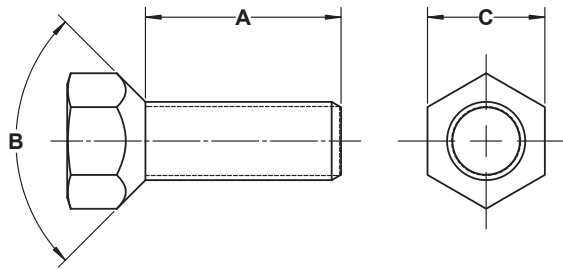
Dust Caps

CAP NO.	TYPE	A	B	C	D
DC11 (DC11Z)	A	1.980	1.18	.25	.039
DC12 (DC12Z)	A	1.940	1.00	.25	.039
DC13 (DC13Z)	A	2.445	1.31	.31	.039
DC17 (DC13Z)	A	3.160	1.68	.37	.078



Wheel Bolts

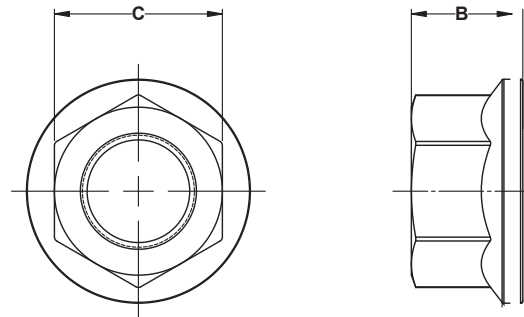
BOLT	THREADS	A	B	C
WB10	1/2-20 UNF	1 1/4	90°	3/4
WB12	9/16-18 UNF	1 1/4	90°	7/8



STUD BOLT	THREADS	A	B	C
WB16	1/2-20 UNF	1 7/8	9/16	5/8

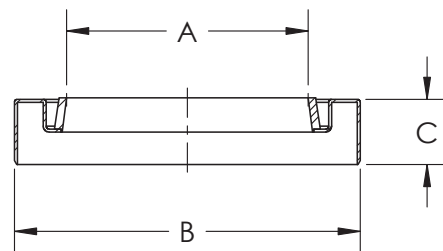
Wheel Stud Nuts

NUT	THREADS	A	B	C
WB11	1/2-20 UNF	90°	5/8	13/16



Grease Seals

SEAL NO.	TYPE	"A" ID	"B" OD	"C" WIDTH
SE-14	A	1.62	2.566	.250
SE-16	A	2.00	3.628	.250
SE-24	A	2.09	2.719	.359
SE-29	A	2.00	3.153	.250
SE-30	A	2.00	3.548	.469
SE-44	A	2.00	3.066	.250
SE-46	A	1.87	3.005	.250



8 Bolt Hubs



HUB NO.	BC	PILOT	CAP. LBS	INNER CUP	OUTER CUP	INNER CONE	OUTER CONE	DUST CAP	WHEEL BOLT	WHEEL NUT	SEAL
HA811	8"	6"	5050	25520	25821	25590	25877	DC17	WB12	-	SE-16
HDA812	8"	6"	6100	3720	2720	3780	2790	DC17	WB12	-	SE-17
HDA812-1	8"	6"	6100	3720	2720	3780	2790	DC17	WB41	WB40	SE-17
HDA812-5**	8"	6"	6100	3720	2720	3780	2790	DC17	WB41	WB40	SE-17
HA817	8"	6"	8000	382A	LM501310	387AS	LM501349	DC26	WB46	WB18	SE-42
HA817-1**	8"	6"	8000	382A	LM501310	387AS	LM501349	DC26	WB46	WB18	SE-42
HA819-J	8"	6"	8000	JLM 506810	LM 501310	JLM 506849	LM501349	DC26	WB46	WB18	SE-58
HA819-1-J	8"	6"	8000	JLM 506810	LM 501310	JLM 506849	LM501349	DC26	WB46	WB18	SE-58
HDA820*	8"	6"	7500	25520	25520	25580	25580	-	WB46	WB18	SE-26 (2)

* FOR FORK APPLICATION

** FOR BRAKE APPLICATION

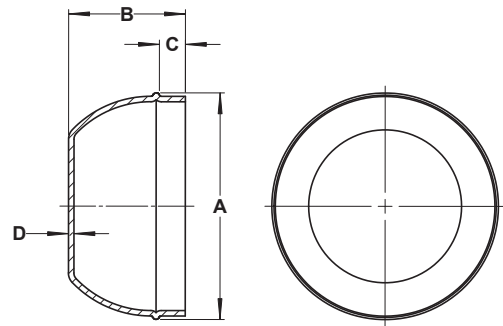
GREASE FITTING AVAILABLE AT EXTRA COST



Components for 8 Bolt Hubs

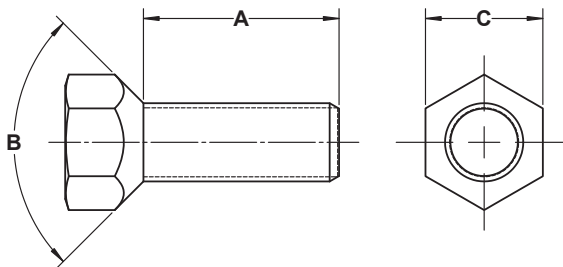
Dust Caps

CAP NO.	TYPE	A	B	C	D
DC17 (DC17Z)	A	3.160	1.68	.37	.078
DC26 (DC26Z)	A	3.120	1.68	.37	.078



Wheel Bolts

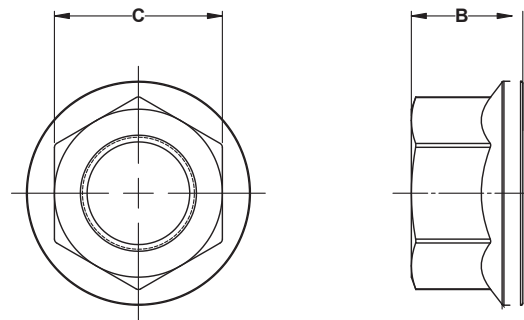
BOLT	THREADS	A	B	C
WB12	9/16-18 UNF	1 1/4	90°	7/8



STUD BOLT	THREADS	A	B	C
WB41	9/16-18 UNF	2 1/4	5/8	5/8
WB46	5/8-18 UNF	2 1/2	9/16	11/16

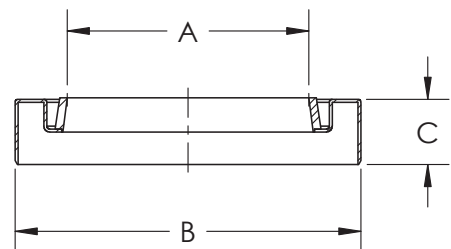
Wheel Stud Nuts

NUT	THREADS	A	B	C
WB18	5/8-18 UNF	90°	23/32	15/16
WB40	9/16-18 UNF	90°	11/16	1

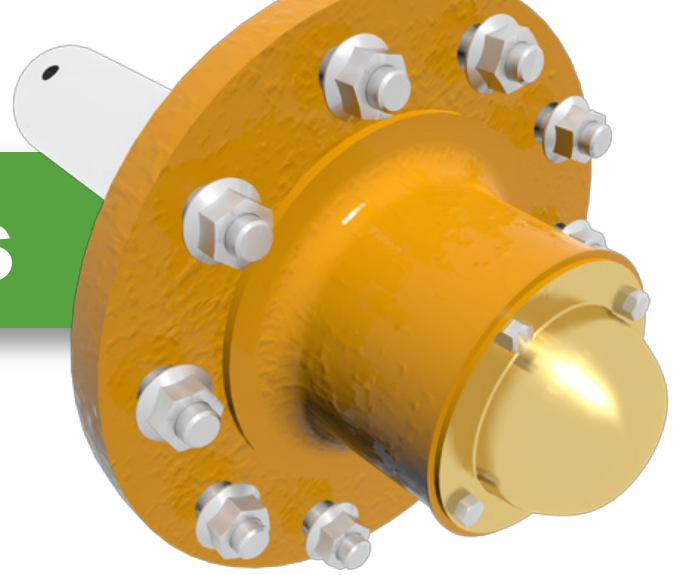


Grease Seals

SEAL NO.	TYPE	"A" ID	"B" OD	"C" WIDTH
SE-16	A	2.00	3.628	.250
SE-17	A	2.50	3.881	.468
SE-26	A	2.25	3.376	.438
SE-42	A	3.00	4.008	.438
SE-58	A	2.75	3.756	.250



10 Bolt Hubs

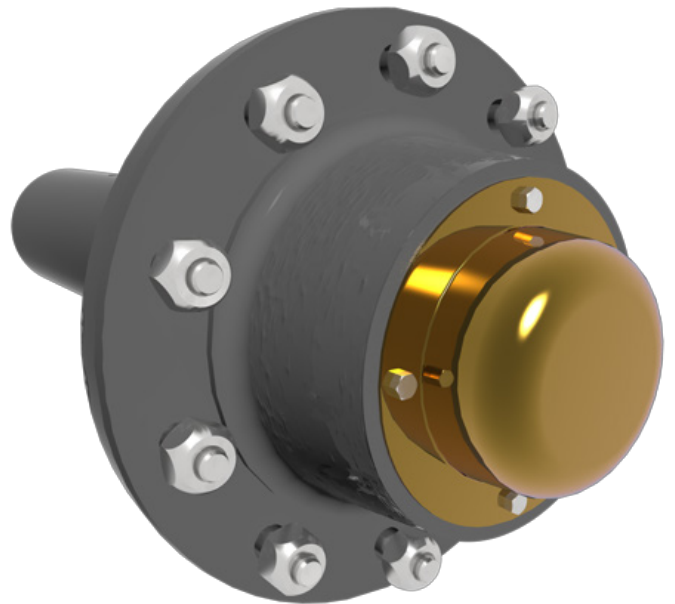


HUB NO.	BC	PILOT	CAP. LBS	INNER CUP	OUTER CUP	INNER CONE	OUTER CONE	DUST CAP	WHEEL BOLT	WHEEL NUT	SEAL
HA1010**	11.25"	8.65"	12000	39520	453A	39585	460	DC27	WB51	WB52	SE48
HA1010-1	11.25"	8.65"	12000	39520	453A	39585	460	DC27	WB51	WB52	SE48
HA1010-3**	11.25"	8.65"	15000	33462	453A	33275	460	DC27	WB51	WB52	SE67
HDA1021**	13.19"	11.04"	25000	HM218210	HM212010	HM218248	HM212049	DC28	WB51	WB52	SE55
HDA1030**	13.19"	11.04"	35000	71750	653	71450	663	DC34	WB51	WB52	SE78

* FOR FORK APPLICATION

** FOR BRAKE APPLICATION

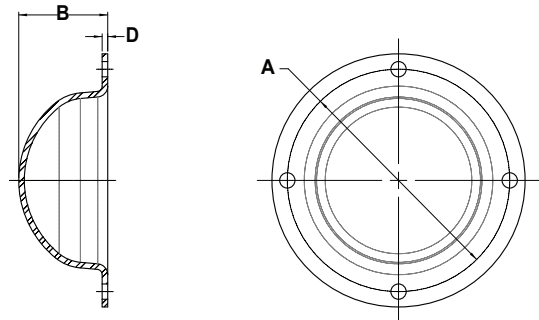
GREASE FITTING AVAILABLE AT EXTRA COST



Components for 10 Bolt Hubs

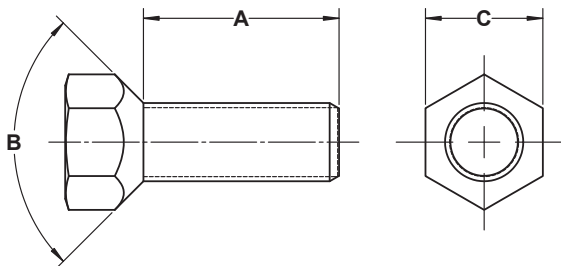
Dust Caps

CAP NO.	TYPE	A	B	D
DC27	B	5.00	2.00	.125
DC28	B	5.50	2.62	.125
DC34	B	7.00	2.34	.1



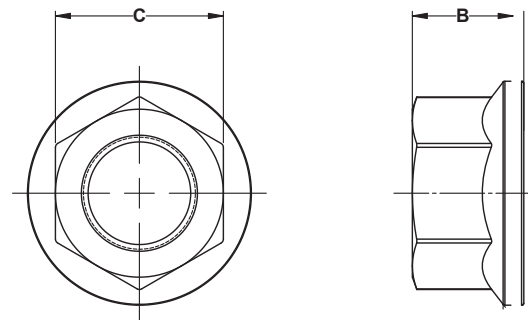
Wheel Bolts

STUD BOLT	THREADS	A	B	C
WB51	3/4-16 UNF	2 5/8	3/4	1



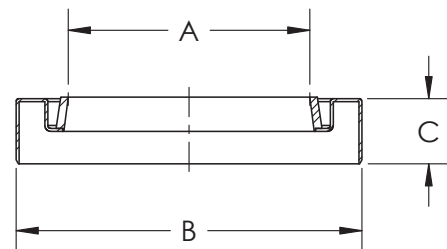
Wheel Stud Nuts

NUT	THREADS	A	B	C
WB52	3/4-16 UNF	Flange Nut	5/8	1-1/8



Grease Seals

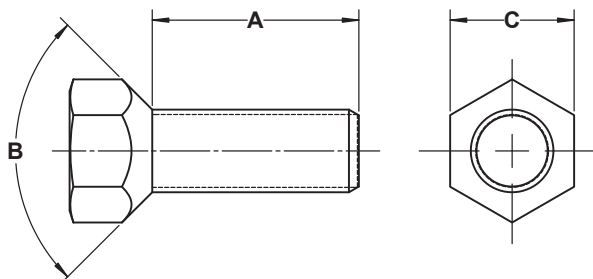
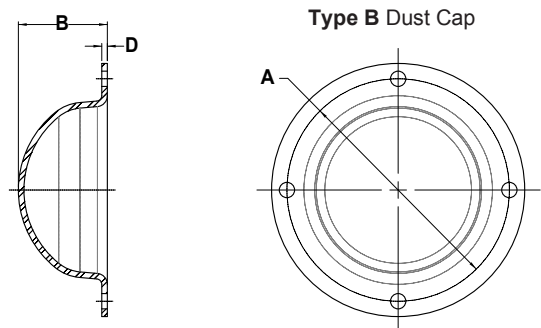
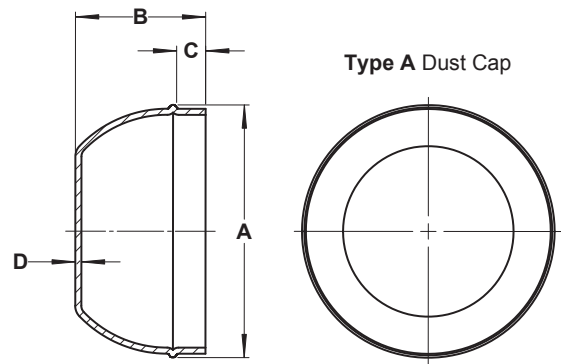
SEAL NO.	TYPE	"A" ID	"B" OD	"C" WIDTH
SE-48	A	3.00	4.505	.437
SE-55	A	4.37	6.007	.500
SE-67	A	3.375	4.631	.438
SE-78	B	5.875	7.506	.500



Hub Components

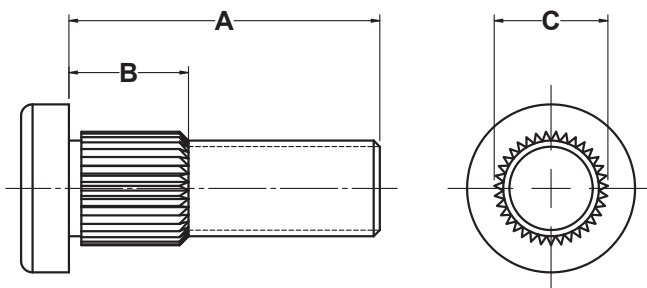
Dust Caps

CAP NO.	TYPE	A	B	C	D
DC10 (DC10Z)	A	1.790	1.00	.25	.039
DC11 (DC11Z)	A	1.980	1.18	.25	.039
DC12 (DC12Z)	A	1.940	1.00	.25	.039
DC13 (DC13Z)	A	2.445	1.31	.31	.039
DC15 (DC15Z)	A	2.721	1.41	.37	.047
DC17 (DC17Z)	A	3.160	1.68	.37	.078
DC24 (DC24Z)	A	1.956	.96	.34	.039
DC26 (DC26Z)	A	3.120	1.68	.37	.078
DC27	B	5.00	2.00	-	.125
DC28	B	5.50	2.62	-	.125
DC34	B	7.00	2.34	-	.1
DC35 (DC35Z)	A	1.940	1.36	.25	.039



Wheel Bolts

BOLT	THREADS	A	B	C
WB10	1/2-20 UNF	1 1/4	90°	3/4
WB12	9/16-18 UNF	1 1/4	90°	7/8
WB17	9/16-18 UNF	1 3/4	90°	7/8
WB27	9/16-18 UNF	2 1/8	90°	7/8
WB54	1/2-20 UNF	7/8	60°	3/4
WB55	1/2-20 UNF	1	90°	3/4
WB96	1/2-20 UNF	.75	90°	3/4
WB122	1/2-20 UNF	1	HEX	3/4

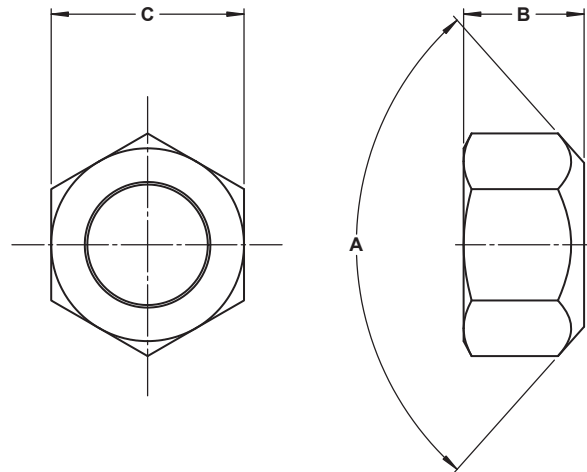


STUD BOLTS	THREADS	A	B	C
WB13	1/2-20 UNF	1 5/8	9/16	5/8
WB16	1/2-20 UNF	1 7/8	9/16	5/8
WB41	9/16-18 UNF	2 1/4	5/8	5/8
WB46	5/8-18 UNF	2 1/2	9/16	11/16
WB51	3/4-16 UNF	2 5/8	3/4	1
WB102	3/4-16 UNF	3.282	3/4	1
WB115	5/8-18UNF	2 3/4	9/16	11/16
WB119	3/4-16UNF	3.421	.58	1
WB136	7/8-16 UNF	.350	13/16	1



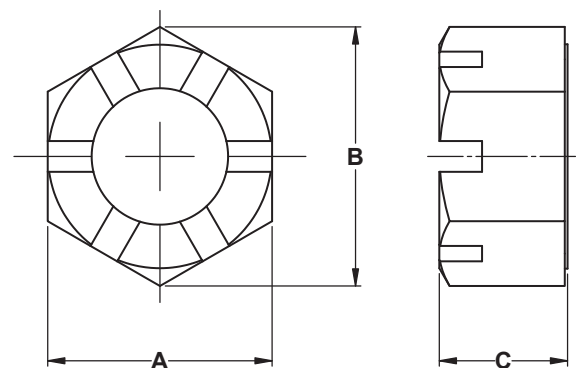
Wheel Stud Nuts

NUT	THREADS	A	B	C
WB11	1/2-20 UNF	90°	5/8	13/16
WB18	5/8-18 UNF	90°	23/32	15/16
WB40	9/16-18 UNF	90°	11/16	1
WB52	3/4-16 UNF	Flange Nut	5/8	1-1/8
WB58	3/4-16 UNF	Budd Nut	7/8	1-1/2
WB137	7/8-14 UNF	Flange Nut	7/8	1-5/16



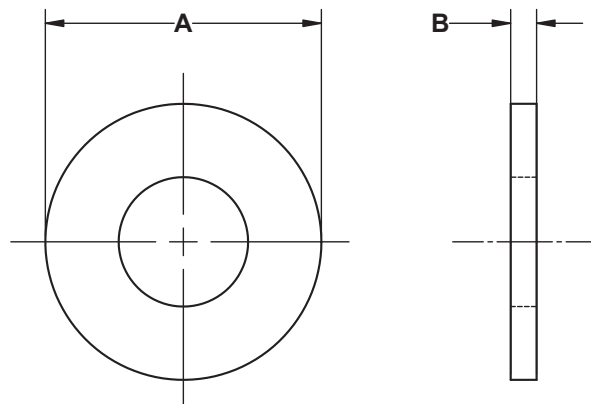
Spindle Nuts

NUT	THREADS	A	B	C
WB29	5/8-18 UNF	15/16	1 1/16	35/64
WB30	3/4-16 UNF	1 1/8	1 1/4	41/64
WB32	7/8-14 UNF	5/16	1 1/2	3/4
WB33	1-14 UNS	1 1/2	1 23/32	55/64
WB36	1 1/8-12 UNF	1 11/16	1 7/8	31/32
WB38	1 1/4-12 UNF	1 7/8	2 1/8	1 1/16
WB65	2-12 UNF	3 1/8	3 39/64	2 1/64
WB70	1 3/8-12 UNF	2 1/16	2 5/16	1 11/64
WB120	2-12 UNF	3	3 5/16	1 3/4
WB127M	2 1/2-12 UNF	3 7/8	4 15/32	2 5/16



Spindle Washers

NUT	A	B	C
WA10	.75	1.75	.119
WA12	.87	2	.187
WA14	1.25	2.5	.156
WA17	1.062	2	.140
WA17H	1.062	2	.187
WA23	1.312	2.5	.250
WA26	1.281	2.445	.120
WA34	1.031	2.125	.250
WA35	2.032	4	.250
WA42	1.513	2.445	.120
WA43	.75	1.75	.250
WA89	2.625	4	.250



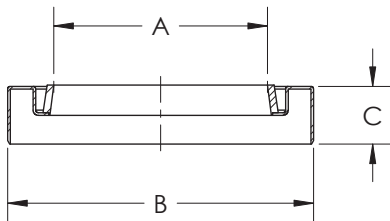
Grease Seals

Grease Seals

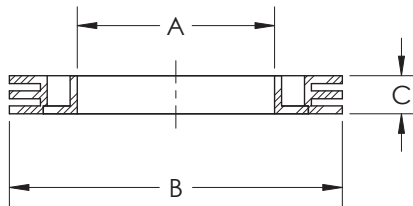
SEAL NO.	TYPE	"A" ID	"B" OD	"C" WIDTH
SE-10	A	1.21	1.983	.406
SE-11	A	1.50	2.332	.500
SE-12	A	1.62	2.332	.438
SE-13	A	1.75	2.722	.359
SE-13X	A	1.75	2.754	.350
SE-14	A	1.62	2.566	.250
SE-14X	A	1.575	2.566	.250
SE-15	A	1.37	2.332	.410
SE-16	A	2.00	3.628	.250
SE-17	A	2.50	3.881	.468
SE-18	A	2.13	3.881	.375
SE-19	A	1.00	1.785	.469
SE-22	A	1.68	2.566	.500
SE-24	A	2.09	2.719	.359
SE-26	A	2.25	3.376	.438
SE-28	A	1.5	2.627	.250
SE-29	A	2.00	3.153	.250
SE-30	A	2.00	3.548	.469
SE-30-1	A	1.93	3.548	.469
SE33-01	A	1.93	3.548	0.469
2762C	A	1.493	2.966	0.540
2763C	A	1.70	2.564	0.303
2764	A	1.437	2.107	0.523

SEAL NO.	TYPE	"A" ID	"B" OD	"C" WIDTH
SE-35	A	2.50	2.56	.500
SE-38	A	2.00	3.625	.500
SE-39	B	1.62	2.566	.290
SE-40	A	2.09	2.754	.250
SE-42	A	3.00	4.008	.438
SE-44	A	2.00	3.066	.500
SE-46	A	1.87	3.005	.250
SE-47	A	2.00	3.376	.437
SE-48	A	3.00	4.505	.437
SE-49	**	4.25	6.000	.062
SE-55	A	4.37	6.007	.500
SE-57	A	2.00	3.630	.438
SE-58	A	2.75	3.756	.250
SE-59	**	4.75	6.25	.062
SE-63	A	2.25	3.066	.250
SE-65	A	1.12	1.785	.469
SE-67	A	3.375	4.631	.438
SE-68	A	2.00	2.686	.250
SE-77	B	2.45	3.85	.340
SE-77-1	*	3.78	3.88	.470
SE-78	B	5.875	7.506	.500
SE-79	**	6.00	8.75	.062

TYPE A



TYPE B



SLEEVE* -SE33-01

