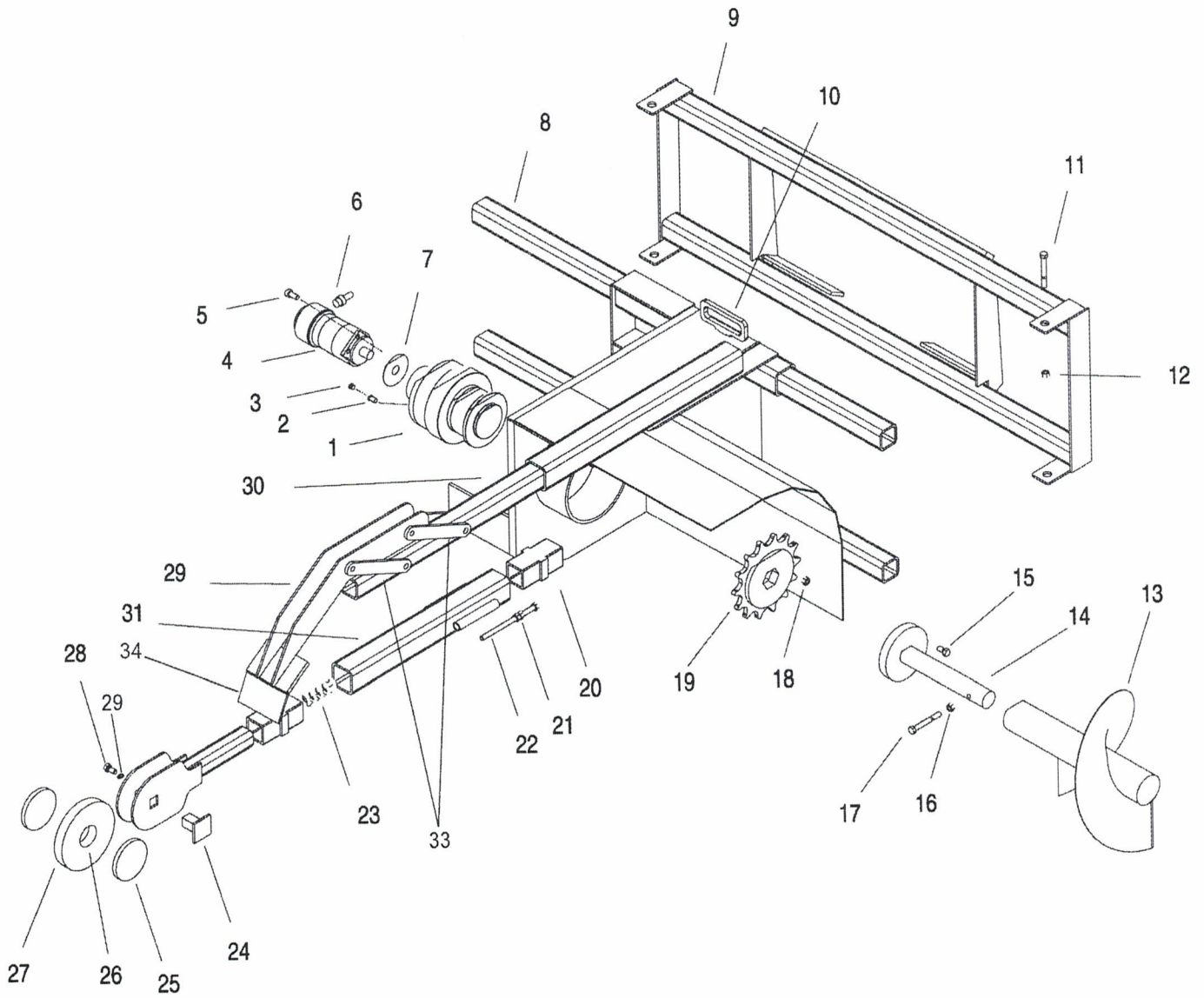


# TRENCHER MODELS T150, T250, T350 EXPLODED VIEW



## TRENCHER MODELS T150, T250, T350 PARTS LIST

<u>REF #</u>	<u>PART #</u>	<u>QTY REQ.</u>	<u>DESCRIPTION</u>	<u>MODEL USED ON</u>
1	65010	1	Planetary	T150 & T250
1	65102	1	Planetary	T350
2	61002	1	Check Valve	T150 & T250
3	61003	1	Breather Vent	T150 & T250
4	60017	1	Motor	T150
4	60001	1	Motor	T250
4	60018	1	Motor	T350
5	40004	4	1/2"-13 SHCS 1-1/2" Long	T150 & T250
6	61004	2	Motor Fittings	T150 & T250
6	61016	2	Motor Fittings	T350
7	61000	1	Motor Gasket	T150 & T250
8	55056	2	Transfer Tube	T150 & T250
9	93017	1	Mount Assembly	T150 & T250
10	93003	1	Pin Assembly	T150 & T250
11	40010	4	3/4"-10 x 4-11/2" HHCS	T150 & T250
12	45016	4	3/4"-10 Nylock	T150 & T250
13	93019	1	Spoil Auger Assembly	T150 & T250
14	93018	1	Hex Shaft Assambly	T150 & T250
15	45008	5	1/2"-13 x 1-5/8" HHCS	T150 & T250
16	40005	1	1/2"-13 Hex Nut	T150 & T250
17	40021	1	1/2"-13 x 4-1/2" HHCS	T150 & T250
18	40005	1	1/2"-13 Hex Nut	T150 & T250
19	55038	1	Sprocket	T150 & T250
20	45003	2	Rubber Liner	T150 & T250
21	45002	4	3/4"-10 Acme Nut	T150 & T250
22	93008	2	3/4"-10 Acme	T150 & T250
23	45005	1	Spring	T150 & T250
24	93013	1	Nose Wheel Axle Assembly	T150 & T250
25	55035	2	Nose Wheel Dust Guard	T150 & T250
26	45004	1	Bearing	T150 & T250
27	55034	1	Nose Wheel	T150 & T250
28	45023	1	5/8"-11 x 4" HHCS	T150 & T250
29	40001	1	5/8"-11 Lock Nut	T150 & T250
30	93009	1	Crumber Assembly	T150 & T250
31	55043	1	Crumber Boom Tube	T150 & T250
32	93006	1	36" Boom Tube Assembly	
32	93050	1	48" Boom Tube Assembly	
33	55045	4	Crumber Linkage	
34	55048	1	6" Wide Crumber Plate	
34	55069	1	8" Wide Crumber Plate	
34	55070	1	10" Wide Crumber Plate	
34	55068	1	12" Wide Crumber Plate	