

ATHENS

MODEL 127/167



"WE PLOW THE EARTH"

The Athens Model 127 and 167 Offset Disk Harrows have the features, sizes, and weights to handle nearly any disking job on the farm. They can easily plow through stalks and stubble, prepare seedbeds, or incorporate chemicals. The Model 127 and 167 make operation a breeze with standard equipment like hydraulic leveling. These offsets are durable and dependable, making Athens the best choice for finishing or primary tillage.



STANDARD EQUIPMENT

- Extra Disc on Right Rear
- Cover Disc with Scraper
- Reversible, Balanced Clevis
- 1½" Cold Rolled Square Steel Axles with Wrench
- Heavy Duty Tongue with Jack
- Complete Hydraulics - Lifting and Leveling
- Heavy Duty Scrapers
- Adjustable Angle of Cut
- Rigid Bearing Hangers with either Trunion Mounted Ball Bearings or Relube Quadraseal Tapered Roller Bearings

OPTIONAL EQUIPMENT

- Manual Leveling
- Spring Bearing Hangers w/Quadraseal Tapered Roller Bearings

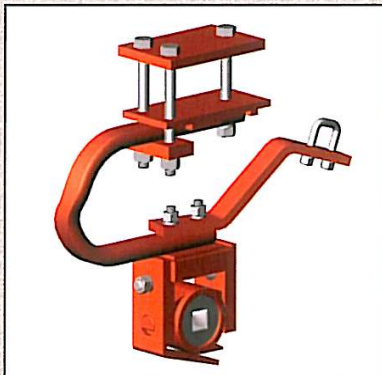
EXTRA EQUIPMENT

- Dual Wheels



The Rigid Bearing Hanger

on the 127/167 features a Wear Plate that bolts onto the front-side of the Bearing Hanger adding extra protection to the front and bottom of the Bearing Housing.



The Spring Bearing Hanger

on the 127/167 provides maximum strength without sacrificing flexibility. It also features a Wear Plate which protects the front and bottom of the Bearing Housing.

MODEL 127/167 SPECIFICATIONS

MODEL 127

9½" Disk Spacing Narrow Frame with 15"x6½" Five-lug Wheels

WIDTH OF CUT	NO. OF DISCS	APPROX. WEIGHT*	APPROX. DBHP**
6' 6"	17	2714	60 - 75
7' 3"	19	2883	65 - 75
8' 0"	21	3055	70 - 90
8' 9"	23	3296	70 - 90

MODEL 167

10½" Disk Spacing Narrow Frame with 15"x6½" Five-lug Wheels

WIDTH OF CUT	NO. OF DISCS	APPROX. WEIGHT*	APPROX. DBHP**
7' 1"	17	3115	65 - 85
8' 0"	19	3297	75 - 100
8' 9"	21	3485	80 - 100

Wide frame with 15" x 8", six-lug wheels

Wide frame with 15" x 8", six-lug wheels

9' 6"	25	3459	75 - 100	9' 7"	23	4185	85 - 115
11' 0"	29	4347	90 - 120	10' 5"	25	4388	95 - 125
12' 6"	33	4870	100 - 140	12' 1"	29	4843	100 - 140

*Approximate weights include Quadraseal double row disk gang bearings, hydraulics complete, four 15" x 8", six-lug wheels, tapered discs, and reversible clevis.

**Maximum Recommended DBHP. Approximate DBHP is only a guide. Extremely hard, soft, hilly, or boggy conditions will change these figures. DBHP in excess of the maximum recommended will void all provisions.



The Quadraseal Double Tapered Roller Bearings

provide the most capacity in the industry. With this added capacity, the probability of overloading is virtually eliminated. The double tapered roller bearing has a triple-lip seal that runs on a hardened, polished surface and is protected by a heavy steel washer to avoid damage from wire and trash. Between the washer and the seal is a cavity filled with grease – an additional sealing element against dirt.

FEATURES

The 127 Offset Disk is available in 6' 6" to 12' 6" cutting widths with 9½" spacing and 24" x ¼" Cut-out or Smooth Discs.

The 167 Offset Disk is available in 7' 1" to 12' 1" widths with 10½" spacing, 26" x ¼" Cut-out or Smooth Discs.

Hydraulic Leveling from the tractor seat provides positive control for front-to-rear leveling in varying conditions.

Adjustable Angle of Cut. Angle of cut can be quickly and easily adjusted for more aggressive cutting and mixing action. Front gangs adjust from 16 degrees to 25 degrees. Rear gangs from 19 to 28 degrees.

Athens Plow Co., Inc. guarantees each piece of equipment against defective materials and workmanship for a period of one year from the date of delivery to the purchaser unless otherwise specified. Athens Plow Co., Inc. reserves the right to make changes and/or improvements in design and construction of parts or machines without notice or obligation.

ATHENS

MODEL 137-187

OFFSET DISKS



These ATHENS 137 and 187 Offset Disks are designed and built to do things that Offset Disk Harrows don't usually do. They TRAIL STRAIGHT without any side draft and finish smoothly going **around** the field. They will plow up and down rows, or diagonally **ACROSS ROWS**—leaving uniformly leveled soil across the entire width of cut. There will be no outside furrows to interfere with planting, harvesting, or irrigation.

These units are built so one person can easily hitch up by himself to the reversible, balanced swivel tongue Clevis using the tongue jack.

The ATHENS 137 and 187 Offsets are built to last **LONGER**. They are manufactured using heavy steel tubes which have a 300% built in Safety Margin against twisting, bending, and breakage. To assure you of unsurpassed performance, long life, and trouble free service, the 137 and 187 were put through a tough field testing program—under severe conditions, not just by our engineers, but by farmers like you and under **your** conditions.



137-187 OFFSET DISK HARROWS

SPECIFICATIONS

137 OFFSET DISK 1-½" Square axle, 9-½" Disk spacing and 24" x ¼" smooth or cutout disks					187 OFFSET DISK 1-½" Square axle, 10-½" Disk spacing, and 26" x ¼" smooth or cutout Disks				
Width of Cut	No. of Disk	Approx Weight	DBHP** (Maximum Recommended)	No. of Bearings	Width of Cut	No. of Disks	Approx. Weight	DBHP** (Maximum Recommended)	No. of Bearings
12' 6"	33	5367	90-135**	8	12' 1"	29	5693	95-145**	8
14' 0"	37	5734	100-165**	9	13' 9"	33	6373	105-165**	12
15' 6"	41	6373	110-170**	12	15' 5"	37	7031	125-185**	12
17' 0"	45	6734	120-185**	12	17' 1"	41	7365	140-200**	13
18' 6"	49	7076	130-200**	12					

* Approximate weights include QUADRASEAL double row Disk gang Bearings, Hydraulics complete, Four 15 x 8, six lug wheels, Tapered Disks, and reversible Clevis.
 ** Maximum Recommended DBHP. Approximate DBHP is only a guide. Extremely hard, soft, hilly, or boggy conditions will change these figures. DBHP in excess of the maximum recommended will void all warranty provisions.

STANDARD EQUIPMENT:

- Cover disk w/scrapper
- Reversible, balanced clevis
- 1½" cold rolled square steel axles w/wrench
- Dual 15" 6 lug Wheels with QUADRASEAL hubs
- Heavy duty Scrapers
- Complete hydraulics, lifting and leveling
- Tapered Disk on right rear
- Adjustable angle of cut
- Rigid bearing hangers with either trunion mounted ball bearings or Relube QUADRASEAL tapered roller bearings
- Dual Wheels

OPTIONAL EQUIPMENT:

- Manual leveling
- Spring Bearing hangers w/QUADRASEAL tapered roller bearings

FEATURES

These brawny offsets are tough enough to chew up just about anything that gets in their way—heavy stalk, pasture sods, or easy to plow soils. And they're versatile enough to handle everything from primary tillage to chemical incorporation. They can be quickly and easily adjusted for deep plowing or for smooth, shallow finishing in a matter of minutes.

ADJUSTABLE ANGLE OF CUT. Angle of cut can be quickly and easily adjusted for more aggressive cutting and mixing action. Front gangs adjust from 13° to 25°. Rear gangs, from 16° to 28°.

Athens Plow Co., Inc. guarantees each piece of equipment against defective materials and workmanship for a period of one year from the date of delivery to the purchaser unless otherwise specified. Athens Plow Co., Inc. reserves the right to make changes and/or improvements in design and construction of parts or machines without notice or obligation.

The ATHENS 137 has the ideal weight and size for general purpose usage. It has the size (12' 6" — 18' 6") and weight (137 pounds per blade, average) to penetrate deep and cover a lot of ground quickly—even in hard-to-plow soils. 24" disks with 9½" spacing standard.

The ATHENS 187 is nearly 27% heavier than the 137. With 12' 1" thru 17' 1" cutting width and an average 187 pounds per blade, it will handle the tougher soils and trashier conditions, and give you the kind of results you want with every pass. 26" disks with 10½" spacing standard.



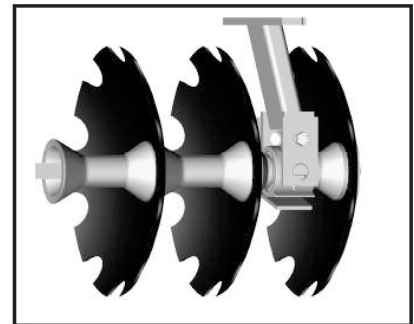
HYDRAULIC LEVELING from the tractor seat provides effortless LEVEL FOR TRANSPORT and adjustment for EXACT TRAILING.

AMPLE TRASH CLEARANCE. Wide open spaces between spacer spools and gang frames, plus narrow—but strong—bearing hangers, provide plenty of trash clearance. Heavy trash passes through cleanly and is worked deep into the soil for fast decomposition.



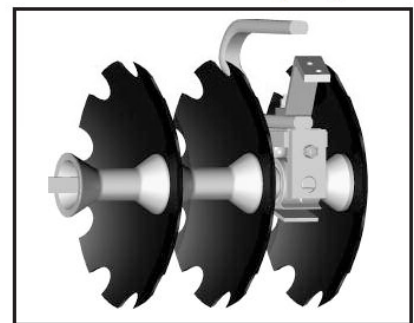
THE QUADRASEAL double-row tapered roller Bearings provide the most capacity in the industry. With this extra capacity, the probability of over-loading...even when disking at maximum angle...is virtually eliminated. The double tapered roller bearing has a triple-lip Seal that runs on a hardened, polished surface and is protected by a heavy steel Washer to avoid damage from wire and trash. Between the steel Washer and the Seal is a cavity filled with grease...an additional sealing element against dirt.

OPTIONAL DISK GANG BEARINGS:



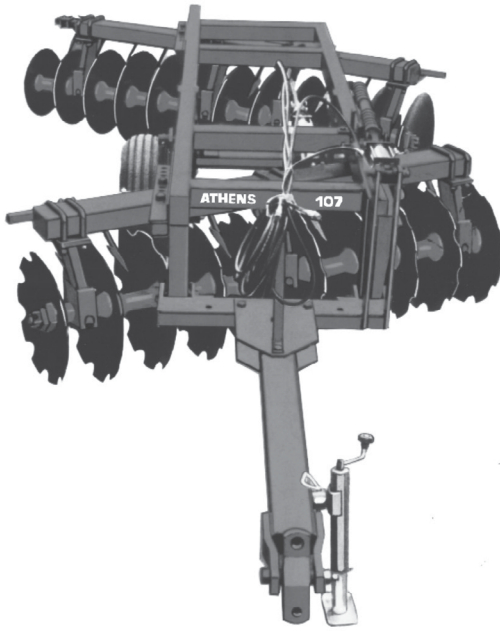
Relube Trunion mounted ball bearings provide economy with dependability. Rigid QUADRASEAL tapered roller bearings give added capacity and increased life

Both Rigid and Spring Bearing Hangers feature a Wear Plate which protects the front and bottom of the bearing hanger.



QUADRASEAL tapered roller bearings with spring bearing hangers provide maximum flexibility in rocky and uneven land.

ATHENS 107 WHEEL TYPE OFFSET DISK HARROW



SPECIFICATIONS:

Cutting Width – 6'2" to 8'2"
Spacing – 9"
Disks: 22" or 24", Cutout or Smooth
Bearings: Relube QUAD Ball
Gang Axle: 1 1/4" Square
Gang Bars: 3 X 5 X 1/4" Tube

STANDARD EQUIPMENT:

Extra Disk on Right Rear
Cover Disk w/ Scraper
Balanced, Reversible Clevis
Heavy Duty Tongue w/ Jack
1 1/4" Cold Rolled Square Axles
W/Wrench
Heavy Duty Scrapers (Tubular Mtd)
Wheel Hubs w/15" Wheels
Tapered Disks on Rt Rear and Front
Mechanical Transport
Hydraulic Lifting Complete

<u>MODEL NUMBER</u>	<u>DISC DIAM</u>	<u>TYPE OF DISC</u>		<u>DISC THCK</u>	<u># OF DISC</u>	<u>DISC SPACING</u>	<u># OF BRGS</u>	<u>APX WT</u>	<u>CALL FOR PRICE</u>
		FRNT	REAR						

6' 2" WIDE

107-1727-650	22"	C.O.	C.O.	.197	17	9"	6	2259	
107-1727-850	22"	C.O.	SM.	.197	17	9"	6	2268	
107-1727-660	24"	C.O.	C.O.	.197	17	9"	6	2334	
107-1727-760	24"	SM.	SM.	.197	17	9"	6	2360	
107-1727-860	24"	C.O.	SM.	.197	17	9"	6	2347	

6' 10" WIDE

107-1927-650	22"	C.O.	C.O.	.197	19	9"	6	2400	
107-1927-850	22"	C.O.	SM.	.197	19	9"	6	2410	
107-1927-660	24"	C.O.	C.O.	.197	19	9"	6	2476	
107-1927-760	24"	SM.	SM.	.197	19	9"	6	2502	
107-1927-860	24"	C.O.	SM.	.197	19	9"	6	2489	

7' 6" WIDE

107-2127-650	22"	C.O.	C.O.	.197	21	9"	6	2514	
107-2127-850	22"	C.O.	SM.	.197	21	9"	6	2526	
107-2127-660	24"	C.O.	C.O.	.197	21	9"	6	2592	
107-2127-760	24"	SM.	SM.	.197	21	9"	6	2618	
107-2127-860	24"	C.O.	SM.	.197	21	9"	6	2605	

8' 2" WIDE

107-2327-650	22"	C.O.	C.O.	.197	23	9"	8	2629	
107-2327-850	22"	C.O.	SM.	.197	23	9"	8	2642	
107-2327-660	24"	C.O.	C.O.	.197	23	9"	8	2708	
107-2327-760	24"	SM.	SM.	.197	23	9"	8	2734	
107-2327-860	24"	C.O.	SM.	.197	23	9"	8	2720	

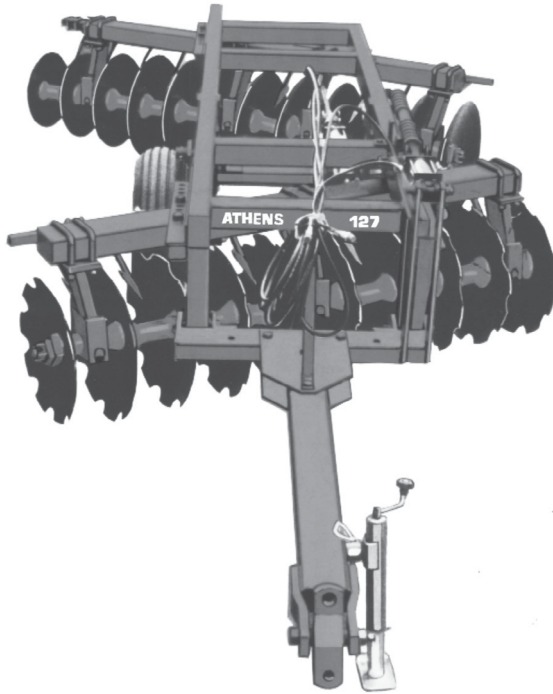
RECOMMENDED TIRE SIZE: 9.5L x 15

CAUTION: TIRES ARE RATED AT 20 MPH MAXIMUM.

****PRICE DOES NOT INCLUDE TIRES**



ATHENS 127 WHEEL TYPE OFFSET DISK HARROW



SPECIFICATIONS:

Cutting Width – 6'6" to 12'6"
Spacing 9-1/2"
24" Disks – Cutout or Smooth
Relube QUAD Ball Bearings or
QUAD Tapered Roller Bearings
W/ Rigid or Spring Bearing Hangers
Single or Dual Wheels

STANDARD EQUIPMENT:

Extra Disk on Right Rear
Cover Disk w/Scraper
Balanced, Reversible Clevis
Heavy-Duty Tongue w/Jack
1-1/2" Cold Rolled Square Axles
w/Wrench
Heavy-Duty Scrapers (Tubular Mtd)
Wheel Hubs w/15" Wheels
Tapered Disks on Rt Rear & Rt Frt
Mechanical Transport
Hydraulic Leveling Complete
Hydraulic Lifting Complete

<u>MODEL NUMBER</u>	<u>DISC DIAM</u>	<u>TYPE OF DISC</u>		<u>DISC THCK</u>	<u># OF DISC</u>	<u>DISC SPACING</u>	<u># O BRGS</u>	<u>APX WT</u>	<u>CALL FOR PRICE</u>
		<u>FRNT</u>	<u>REAR</u>						
<u>127 OFFSET DISK W/ 3 x 5 TUBULAR FRAME & 5 LUG HUBS</u>									
<u>6' 6" WIDE</u>		<u>W/ QUAD BALL BEARINGS</u>							
127-1747-657	24"	C.O.	C.O.	.256	17	9-1/2"	6	2711	
127-1747-757	24"	SM.	SM.	.256	17	9-1/2"	6	2714	
127-1747-857	24"	C.O.	SM.	.256	17	9-1/2"	6	2722	
<u>W/ QUAD TAPERED DOUBLE ROLLER BEARINGS</u>									
127-1745-657	24"	C.O.	C.O.	.256	17	9-1/2"	6	2686	
127-1745-757	24"	SM.	SM.	.256	17	9-1/2"	6	2689	
127-1745-857	24"	C.O.	SM.	.256	17	9-1/2"	6	2697	
<u>7' 3" WIDE</u>		<u>W/ QUAD BALL BEARINGS</u>							
127-1947-657	24"	C.O.	C.O.	.256	19	9-1/2"	6	2854	
127-1947-757	24"	SM.	SM.	.256	19	9-1/2"	6	2728	
127-1947-857	24"	C.O.	SM.	.256	19	9-1/2"	6	2867	
<u>W/ QUAD TAPERED DOUBLE ROLLER BEARINGS</u>									
127-1945-657	24"	C.O.	C.O.	.256	19	9-1/2"	6	2829	
127-1945-757	24"	SM.	SM.	.256	19	9-1/2"	6	2703	
127-1945-857	24"	C.O.	SM.	.256	19	9-1/2"	6	2842	

<u>MODEL NUMBER</u>	<u>DISC DIAM</u>	<u>TYPE OF DISC</u>		<u>DISC THCK</u>	<u># OF DISC</u>	<u>DISC SPACING</u>	<u># OF BRGS</u>	<u>APX WT</u>	<u>CALL FOR PRICE</u>
		<u>FRNT</u>	<u>REAR</u>						
<u>8' 0" WIDE W/ QUAD BALL BEARINGS</u>									
127-2147-657	24"	C.O.	C.O.	.256	21	9-1/2"	7	3046	
127-2147-757	24"	SM.	SM.	.256	21	9-1/2"	7	3055	
127-2147-857	24"	C.O.	SM.	.256	21	9-1/2"	7	3060	
<u>W/ QUAD TAPERED DOUBLE ROLLER BEARINGS</u>									
127-2145-657	24"	C.O.	C.O.	.256	21	9-1/2"	7	3016	
127-2145-757	24"	SM.	SM.	.256	21	9-1/2"	7	3025	
127-2145-857	24"	C.O.	SM.	.256	21	9-1/2"	7	3030	
<u>8' 9" WIDE W/ QUAD BALL BEARINGS</u>									
127-2347-657	24"	C.O.	C.O.	.256	23	9-1/2"	8	3272	
127-2347-757	24"	SM.	SM.	.256	23	9-1/2"	8	3296	
127-2347-857	24"	C.O.	SM.	.256	23	9-1/2"	8	3287	
<u>W/ QUAD TAPERED DOUBLE ROLLER BEARINGS</u>									
127-2345-657	24"	C.O.	C.O.	.256	23	9-1/2"	8	3238	
127-2345-757	24"	SM.	SM.	.256	23	9-1/2"	8	3262	
127-2345-857	24"	C.O.	SM.	.256	23	9-1/2"	8	3253	
<u>127 OFFSET DISK W/ 4 x 6 TUBULAR FRAME & 6 LUG HUBS</u>									
<u>9' 6" WIDE W/ QUAD BALL BEARINGS</u>									
127-2547-657	24"	C.O.	C.O.	.256	25	9-1/2"	8	3949	
127-2547-757	24"	SM.	SM.	.256	25	9-1/2"	8	3975	
127-2547-857	24"	C.O.	SM.	.256	25	9-1/2"	8	3965	
<u>W/ QUAD TAPERED DOUBLE ROLLER BEARINGS</u>									
127-2545-657	24"	C.O.	C.O.	.256	25	9-1/2"	8	3916	
127-2545-757	24"	SM.	SM.	.256	25	9-1/2"	8	3941	
127-2545-857	24"	C.O.	SM.	.256	25	9-1/2"	8	3931	
<u>11' 0" WIDE W/ QUAD BALL BEARINGS</u>									
127-2947-658	24"	C.O.	C.O.	.256	29	9-1/2"	9	4467	
127-2947-758	24"	SM.	SM.	.256	29	9-1/2"	9	4504	
127-2947-858	24"	C.O.	SM.	.256	29	9-1/2"	9	4485	
<u>W/ QUAD TAPERED DOUBLE ROLLER BEARINGS</u>									
127-2945-658	24"	C.O.	C.O.	.256	29	9-1/2"	9	4379	
127-2945-758	24"	SM.	SM.	.256	29	9-1/2"	9	4466	
127-2945-858	24"	C.O.	SM.	.256	29	9-1/2"	9	4447	
<u>12' 6" WIDE W/ QUAD BALL BEARINGS</u>									
127-3347-658	24"	C.O.	C.O.	.256	33	9-1/2"	12	4985	
127-3347-758	24"	SM.	SM.	.256	33	9-1/2"	12	5027	
127-3347-858	24"	C.O.	SM.	.256	33	9-1/2"	12	5005	

<u>MODEL NUMBER</u>	<u>DISC DIAM</u>	<u>TYPE OF DISC</u>		<u>DISC THCK</u>	<u># OF DISC</u>	<u>DISC SPACING</u>	<u># OF BRGS</u>	<u>APX WT</u>	<u>CALL FOR PRICE</u>
		FRNT	REAR						
<u>12' 6" WIDE</u>	<u>W/ QUAD TAPERED DOUBLE ROLLER BEARINGS</u>								
127-3345-658	24"	C.O.	C.O.	.256	33	9-1/2"	12	4935	
127-3345-758	24"	SM.	SM.	.256	33	9-1/2"	12	4987	
127-3345-858	24"	C.O.	SM.	.256	33	9-1/2"	12	4957	

EXTRA EQUIPMENT

APX
WT

9-127-605156 DUAL WHEELS FOR 16-23 DISC UNITS
(DUAL WHEELS STANDARD ON 9' 6" AND UP)

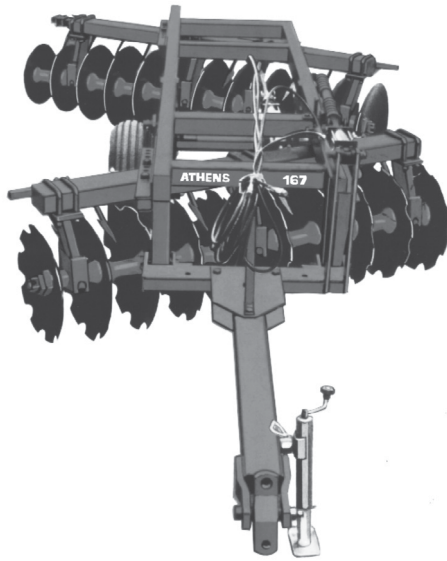
82#

RECOMMENDED TIRE SIZE: NARROW FRAME W/ 5 LUG HUBS, 9.5L X 15
WIDE FRAME W/ 6 LUG HUBS, 11L X 15

CAUTION: TIRES ARE RATED AT 20 MPH MAXIMUM.

*** PRICE DOES NOT INCLUDE TIRES.**

ATHENS 167 WHEEL TYPE OFFSET DISK HARROW



SPECIFICATIONS:

Cutting Width – 7'1" to 12'1"
 Disk Spacing – 10-1/2"
 26" Disks – Cutout/Smooth,.256 Thick
 QUADRASEAL Relube Ball Bearings
 QUADRASEAL Roller Bearings with
 Rigid or Spring Bearing Hangers

STANDARD EQUIPMENT:

Extra Disk on Right Rear
 Cover Disk With Scraper
 Hydraulics Complete for Lifting
 Balanced, Reversible Clevis
 Heavy-Duty Tongue w/Jack
 Wheel Hubs w/15" Wheels
 Heavy-Duty Scrapers (Tubular Mtd)
 Tapered Disks on Rt Rear & Rt Frt
 Adjustable Angle of Cut
 1-1/2" Cold Rolled Sq. Axle w/Wrench
 Hydraulic Leveling(Standard)

<u>MODEL NUMBER</u>	<u>DISC DIAM</u>	<u>TYPE OF DISC</u>		<u>DISC THCK</u>	<u># OF DISC</u>	<u>DISC SPACING</u>	<u># OF BRGS</u>	<u>APX WT</u>	<u>CALL FOR PRICE</u>
		FRNT	REAR						

167 OFFSET DISK W/ 3 x 5 FRAME & 5 LUG HUBS

7' 1" WIDE

W/ QUAD BALL BEARINGS

167-1757-667	26"	C.O.	C.O.	.256	17	10-1/2"	8	3077	
167-1757-767	26"	SM.	SM.	.256	17	10-1/2"	8	3115	
167-1757-867	26"	C.O.	SM.	.256	17	10-1/2"	8	3096	

W/ QUAD TAPERED DOUBLE ROLLER BEARINGS

167-1755-667	26"	C.O.	C.O.	.256	17	10-1/2"	8	3121	
167-1755-767	26"	SM.	SM.	.256	17	10-1/2"	8	3159	
167-1755-867	26"	C.O.	SM.	.256	17	10-1/2"	8	3140	

8' 0" WIDE

W/ QUAD BALL BEARINGS

167-1957-667	26"	C.O.	C.O.	.256	19	10-1/2"	8	3246	
167-1957-767	26"	SM.	SM.	.256	19	10-1/2"	8	3297	
167-1957-867	26"	C.O.	SM.	.256	19	10-1/2"	8	3277	

W/ QUAD TAPERED DOUBLE ROLLER BEARINGS

167-1955-667	26"	C.O.	C.O.	.256	19	10-1/2"	8	3290	
167-1955-767	26"	SM.	SM.	.256	19	10-1/2"	8	3341	
167-1955-867	26"	C.O.	SM.	.256	19	10-1/2"	8	3321	

8' 9" WIDE

W/ QUAD BALL BEARINGS

167-2157-667	26"	C.O.	C.O.	.256	21	10-1/2"	8	3437	
167-2157-767	26"	SM.	SM.	.256	21	10-1/2"	8	3485	
167-2157-867	26"	C.O.	SM.	.256	21	10-1/2"	8	3461	

<u>MODEL NUMBER</u>	<u>DISC DIAM</u>	<u>TYPE OF DISC</u>		<u>DISC THCK</u>	<u># OF DISC</u>	<u>DISC SPACING</u>	<u># OF BRGS</u>	<u>APX WT</u>	<u>CALL FOR PRICE</u>
		FRNT	REAR						

167 OFFSET DISK W/ 3 x 5 FRAME & 5 LUG HUBS (CONT'D)

8' 9" WIDE W/ QUAD TAPERED DOUBLE ROLLER BEARINGS

167-2155-667	26"	C.O.	C.O.	.256	21	10-1/2"	8	3481	
167-2155-767	26"	SM.	SM.	.256	21	10-1/2"	8	3529	
167-2155-867	26"	C.O.	SM.	.256	21	10-1/2"	8	3505	

167 OFFSET DISK W/ 4 x 6 FRAME & 6 LUG HUBS

9' 7" WIDE W/ QUAD BALL BEARINGS

167-2357-668	26"	C.O.	C.O.	.256	23	10-1/2"	8	4289	
167-2357-768	26"	SM.	SM.	.256	23	10-1/2"	8	4342	
167-2357-868	26"	C.O.	SM.	.256	23	10-1/2"	8	4316	

W/ QUAD TAPERED DOUBLE ROLLER BEARINGS

167-2355-668	26"	C.O.	C.O.	.256	23	10-1/2"	8	4333	
167-2355-768	26"	SM.	SM.	.256	23	10-1/2"	8	4386	
167-2355-868	26"	C.O.	SM.	.256	23	10-1/2"	8	4360	

10' 5" WIDE W/ QUAD BALL BEARINGS

167-2557-668	26"	C.O.	C.O.	.256	25	10-1/2"	8	4488	
167-2557-768	26"	SM.	SM.	.256	25	10-1/2"	8	4495	
167-2557-868	26"	C.O.	SM.	.256	25	10-1/2"	8	4507	

W/ QUAD TAPERED DOUBLE ROLLER BEARINGS

167-2555-668	26"	C.O.	C.O.	.256	25	10-1/2"	8	4532	
167-2555-768	26"	SM.	SM.	.256	25	10-1/2"	8	4572	
167-2555-868	26"	C.O.	SM.	.256	25	10-1/2"	8	4553	

12' 1" WIDE W/QUAD BALL BEARINGS

167-2957-668	26"	C.O.	C.O.	.256	29	10-1/2"	9	4933	
167-2957-768	26"	SM.	SM.	.256	29	10-1/2"	9	5000	
167-2957-868	26"	C.O.	SM.	.256	29	10-1/2"	9	4967	

W/QUAD TAPERED DOUBLE ROLLER BEARINGS

167-2955-668	26"	C.O.	C.O.	.256	29	10-1/2"	9	4977	
167-2955-768	26"	SM.	SM.	.256	29	10-1/2"	9	5044	
167-2955-868	26"	C.O.	SM.	.256	29	10-1/2"	9	5011	

SPECIAL ORDER INFORMATION:

SPRING BEARING HANGERS WITH QUAD TAPERED DOUBLE ROLLER BEARINGS

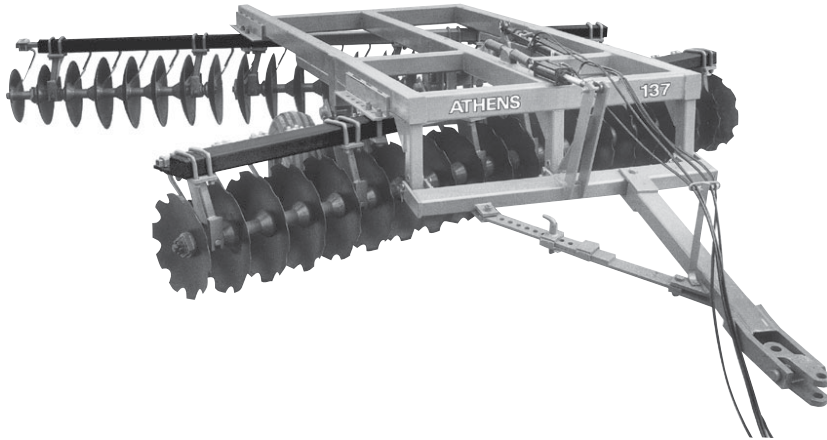
<u>EXTRA EQUIPMENT</u>	<u>APX</u> <u>WT</u>
9-167-605156 DUAL WHEELS FOR 16-21 DISC UNITS (DUAL WHEELS STANDARD ON 9' 7" AND UP)	82#

RECOMMENDED TIRE SIZE: NARROW FRAME W/ 5 LUG HUBS, 9.5L X 15
WIDE FRAME W/ 6 LUG HUBS, 11L X 15

CAUTION: TIRES ARE RATED AT 20MPH MAXIMUM.

***PRICE DOES NOT INCLUDE TIRES.**

ATHENS 137 WHEEL TYPE OFFSET DISK HARROW



SPECIFICATIONS:

Cutting Width – 12’6” to 18’6”
 Disk Spacing – 9-1/2”
 24” Disks- Cutout or Smooth,
 .256” thickness
 Trunnion Mounted Relube
 QUADRASEAL Ball or Tapered
 Roller Bearings
 Rigid or Spring Bearing Hangers

STANDARD EQUIPMENT:

Extra Disk on Right Rear
 Cover Disk w/Scraper
 Reversible, Balanced Clevis
 1-1/2” Cold Rolled Sq. Axles
 w/Wrench
 Dual 15”, 6-Lug Wheels w/Hub
 Heavy Duty Scrapers (Tubular Mtd)
 Cmplt Hydraulics w/Mech Transport
 Tapered Disks on Rt Rear and Rt Frt
 Adjustable Angle of Cut
 Hydraulic Leveling Standard

<u>MODEL NUMBER</u>	<u>DISC DIAM</u>	<u>TYPE OF DISC</u>		<u>DISC THCK</u>	<u># OF DISC</u>	<u>DISC SPACING</u>	<u># OF BRGS</u>	<u>APX WT</u>	<u>CALL FOR PRICE</u>
		<u>FRNT</u>	<u>REAR</u>						
<u>12' 6" WIDE</u>									
<u>W/ QUAD BALL BEARINGS</u>									
137-3347-659	24"	C.O.	C.O.	.256	33	9-1/2"	8	5444	
137-3347-759	24"	SM.	SM.	.256	33	9-1/2"	8	5473	
137-3347-859	24"	C.O.	SM.	.256	33	9-1/2"	8	5449	
<u>W/ RELUBE QUAD TAPERED DOUBLE ROLLER BEARINGS</u>									
137-3345-659	24"	C.O.	C.O.	.256	33	9-1/2"	8	5410	
137-3345-759	24"	SM.	SM.	.256	33	9-1/2"	8	5439	
137-3345-859	24"	C.O.	SM.	.256	33	9-1/2"	8	5415	
<u>14' 0" WIDE</u>									
<u>W/ QUAD BALL BEARINGS</u>									
137-3747-659	24"	C.O.	C.O.	.256	37	9-1/2"	9	5831	
137-3747-759	24"	SM.	SM.	.256	37	9-1/2"	9	5881	
137-3747-859	24"	C.O.	SM.	.256	37	9-1/2"	9	5854	
<u>W/ RELUBE QUAD TAPERED DOUBLE ROLLER BEARINGS</u>									
137-3745-659	24"	C.O.	C.O.	.256	37	9-1/2"	9	5797	
137-3745-759	24"	SM.	SM.	.256	37	9-1/2"	9	5847	
137-3745-859	24"	C.O.	SM.	.256	37	9-1/2"	9	5820	

<u>MODEL NUMBER</u>	<u>DISC DIAM</u>	<u>TYPE OF DISC</u>		<u>DISC THCK</u>	<u># OF DISC</u>	<u>DISC SPACING</u>	<u># OF BRGS</u>	<u>APX WT</u>	<u>CALL FOR PRICE</u>
		FRNT	REAR						

15' 6" WIDE

W/ QUAD BALL BEARINGS

137-4147-659	24"	C.O.	C.O.	.256	41	9-1/2"	12	6562	
137-4147-759	24"	SM.	SM.	.256	41	9-1/2"	12	6618	
137-4147-859	24"	C.O.	SM.	.256	41	9-1/2"	12	6588	

W/ RELUBE QUAD TAPERED DOUBLE ROLLER BEARINGS

137-4145-659	24"	C.O.	C.O.	.256	41	9-1/2"	12	6512	
137-4145-759	24"	SM.	SM.	.256	41	9-1/2"	12	6568	
137-4145-859	24"	C.O.	SM.	.256	41	9-1/2"	12	6538	

17' 0" WIDE

W/ QUAD BALL BEARINGS

137-4547-659	24"	C.O.	C.O.	.256	45	9-1/2"	12	6877	
137-4547-759	24"	SM.	SM.	.256	45	9-1/2"	12	6939	
137-4547-859	24"	C.O.	SM.	.256	45	9-1/2"	12	6906	

W/ RELUBE QUAD TAPERED DOUBLE ROLLER BEARINGS

137-4545-659	24"	C.O.	C.O.	.256	45	9-1/2"	12	6827	
137-4545-759	24"	SM.	SM.	.256	45	9-1/2"	12	6889	
137-4545-859	24"	C.O.	SM.	.256	45	9-1/2"	12	6856	

18' 6" WIDE

W/ QUAD BALL BEARINGS

137-4947-659	24"	C.O.	C.O.	.256	49	9-1/2"	12	7246	
137-4947-759	24"	SM.	SM.	.256	49	9-1/2"	12	7314	
137-4947-859	24"	C.O.	SM.	.256	49	9-1/2"	12	7278	

W/ RELUBE QUAD TAPERED DOUBLE ROLLER BEARINGS

137-4945-659	24"	C.O.	C.O.	.256	49	9-1/2"	12	7196	
137-4945-759	24"	SM.	SM.	.256	49	9-1/2"	12	7264	
137-4945-859	24"	C.O.	SM.	.256	49	9-1/2"	12	7228	

106166

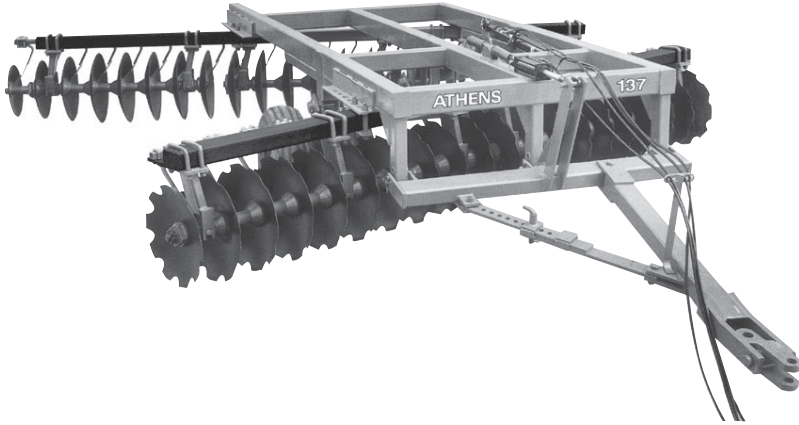
AG LIGHT KIT

19#

RECOMMENDED TIRE SIZE: 11L x 15 (4 REQUIRED)
CAUTION: TIRES ARE RATED AT 20 MPH MAXIMUM.

***PRICE DOES NOT INCLUDE TIRES.**

ATHENS 187 WHEEL TYPE OFFSET DISK HARROW



SPECIFICATIONS:

Cutting Width – 12'1" to 17'1"
 Disk Spacing – 10 1/2"
 26" Disks- Cutout/Smooth,.250 Thick
 QUADRASEAL Ball Bearings or
 QUADRASEAL Roller Bearings with
 Spring or Rigid Bearing Hangers

STANDARD EQUIPMENT:

Cover Disk w/Scraper
 Extra Disk on Rt Rear
 Heavy Duty Tongue w/Jack
 Reversible, Balanced Clevis
 1 1/2" Cold Rolled Sq. Axle
 w/Wrench
 Dual 15", 6 lug Wheels w/Hub
 Heavy Duty Scrapers (Tubular Mtd.)
 Tapered Disks on Right Rear
 Adjustable Angle of Cut
 Hydraulic Leveling Standard
 Complt Hydraulics w/Mech. Trnsprt

<u>MODEL NUMBER</u>	<u>DISC DIAM</u>	<u>TYPE OF DISC</u>		<u>DISC THCK</u>	<u># OF DISC</u>	<u>DISC SPACING</u>	<u># OF BRGS</u>	<u>APX WT</u>	<u>CALL FOR PRICE</u>
		<u>FRNT</u>	<u>REAR</u>						
<u>12' 1" WIDE</u>									
<u>W/ RELUBE QUAD BALL BEARINGS</u>									
18 -2957-669	26"	C.O.	C.O.	.256	29	10-1/2"	10	5517	
18 -2957-769	26"	SM.	SM.	.256	29	10-1/2"	10	5585	
18 -2957-869	26"	C.O.	SM.	.256	29	10-1/2"	10	5552	
<u>W/ RELUBE QUAD TAPERED DOUBLE ROLLER BEARINGS</u>									
18 -2955-669	26"	C.O.	C.O.	.256	29	10-1/2"	10	5561	
18 -2955-769	26"	SM.	SM.	.256	29	10-1/2"	10	5629	
18 -2955-869	26"	C.O.	SM.	.256	29	10-1/2"	10	5596	
<u>13' 9" WIDE</u>									
<u>W/ RELUBE QUAD BALL BEARINGS</u>									
18 -3357-669	26"	C.O.	C.O.	.256	33	10-1/2"	12	6147	
18 -3357-769	26"	SM.	SM.	.256	33	10-1/2"	12	6225	
187-3357-869	26"	C.O.	SM.	.256	33	10-1/2"	12	6187	
<u>W/ RELUBE QUAD TAPERED DOUBLE ROLLER BEARINGS</u>									
18 -3355-669	26"	C.O.	C.O.	.256	33	10-1/2"	12	6213	
18 -3355-769	26"	SM.	SM.	.256	33	10-1/2"	12	6309	
187-3355-869	26"	C.O.	SM.	.256	33	10-1/2"	12	6253	
<u>15' 5" WIDE</u>									
<u>W/ RELUBE QUAD BALL BEARINGS</u>									
18 -3757-669	26"	C.O.	C.O.	.256	37	10-1/2"	12	6581	
18 -3757-769	26"	SM.	SM.	.256	37	10-1/2"	12	6669	
187-3757-869	26"	C.O.	SM.	.256	37	10-1/2"	12	6636	



<u>MODEL NUMBER</u>	<u>DISC DIAM</u>	<u>TYPE OF DISC</u>		<u>DISC THCK</u>	<u># OF DISC</u>	<u>DISC SPACING</u>	<u># OF BRGS</u>	<u>APX WT</u>	<u>CALL FOR PRICE</u>
		FRNT	REAR						
<u>15' 5" WIDE</u>		<u>W/ RELUBE QUAD TAPERED DOUBLE ROLLER BEARINGS</u>							
187-3755-669	26"	C.O.	C.O.	.256	37	10-1/2"	12	6647	
187-3755-769	26"	SM.	SM.	.256	37	10-1/2"	12	6735	
187-3755-869	26"	C.O.	SM.	.256	37	10-1/2"	12	6702	
<u>17' 1" WIDE</u>		<u>W/ RELUBE QUAD BALL BEARINGS</u>							
187-4157-669	26"	C.O.	C.O.	.256	41	10-1/2"	12	7085	
187-4157-769	26"	SM.	SM.	.256	41	10-1/2"	12	7182	
187-4157-869	26"	C.O.	SM.	.256	41	10-1/2"	12	7134	
		<u>W/ RELUBE QUAD TAPERED DOUBLE ROLLER BEARINGS</u>							
187-4155-669	26"	C.O.	C.O.	.256	41	10-1/2"	14	7151	
187-4155-769	26"	SM.	SM.	.256	41	10-1/2"	14	7248	
187-4155-869	26"	C.O.	SM.	.256	41	10-1/2"	14	7200	



ATHENS 287 OFFSET DISK HARROW

SPECIFICATIONS:

Cutting Width – 8’ to 16’
 Disk Spacing – 12”
 Disk Blades – 28” x .31 or 32” x .375 C/O
 Relube 2” Ball Bearings

STANDARD EQUIPMENT

Cover Disk W/Scraper
 Complete Leveling Hydraulics
 Complete Lifting Hydraulics
 Reversible Clevis
 Heavy Duty Tube Mounted Scrapers
 Tapered Rear Gang
 15” x 8” Six Lug Wheels
 Dual Wheel Hubs
 2” Cold Rolled Square Gang Axles



<u>MODEL NUMBER</u>	<u>DISC DIAM</u>	<u>TYPE OF DISC</u>	<u>DISC THCK</u>	<u># OF DISC</u>	<u>DISC SPACING</u>	<u># OF BRGS</u>	<u>APX WT</u>	<u>CALL FOR PRICE</u>
<u>8' 0" WIDE</u>		<u>W/ RELUBE BALL BEARINGS</u>						
287-1722-688	28"	C.O.	.31	17	12"	8	5221	
287-1722-628	32"	C.O.	.39	17	12"	8	5750	
<u>9' 0" WIDE</u>		<u>W/ RELUBE BALL BEARINGS</u>						
287-1922-688	28"	C.O.	.31	19	12"	8	5490	
287-1922-628	32"	C.O.	.39	19	12"	8	6165	
<u>10' 0" WIDE</u>		<u>W/ RELUBE BALL BEARINGS</u>						
287-2122-688	28"	C.O.	.31	21	12"	8	5812	
287-2122-628	32"	C.O.	.39	21	12"	8	6505	
<u>12' 0" WIDE</u>		<u>W/ RELUBE BALL BEARINGS</u>						
287-2522-688	28"	C.O.	.31	25	12"	8	7867	
287-2522-628	32"	C.O.	.39	25	12"	8	8710	
<u>14' 0" WIDE</u>		<u>W/ RELUBE BALL BEARINGS</u>						
287-2922-688	28"	C.O.	.31	29	12"	12	8650	
287-2922-628	32"	C.O.	.39	29	12"	12	9473	
<u>16' 0" WIDE</u>		<u>W/ RELUBE BALL BEARINGS</u>						
287-3322-688	28"	C.O.	.31	33	12"	12	9250	
287-3322-628	32"	C.O.	.39	33	12"	12	10005	

RECOMMENDED TIRE SIZE: 11L x 15 (4 REQUIRED)
 CAUTION: TIRES ARE RATED AT 20 MPH MAXIMUM.
 *PRICE DOES NOT INCLUDE TIRES.