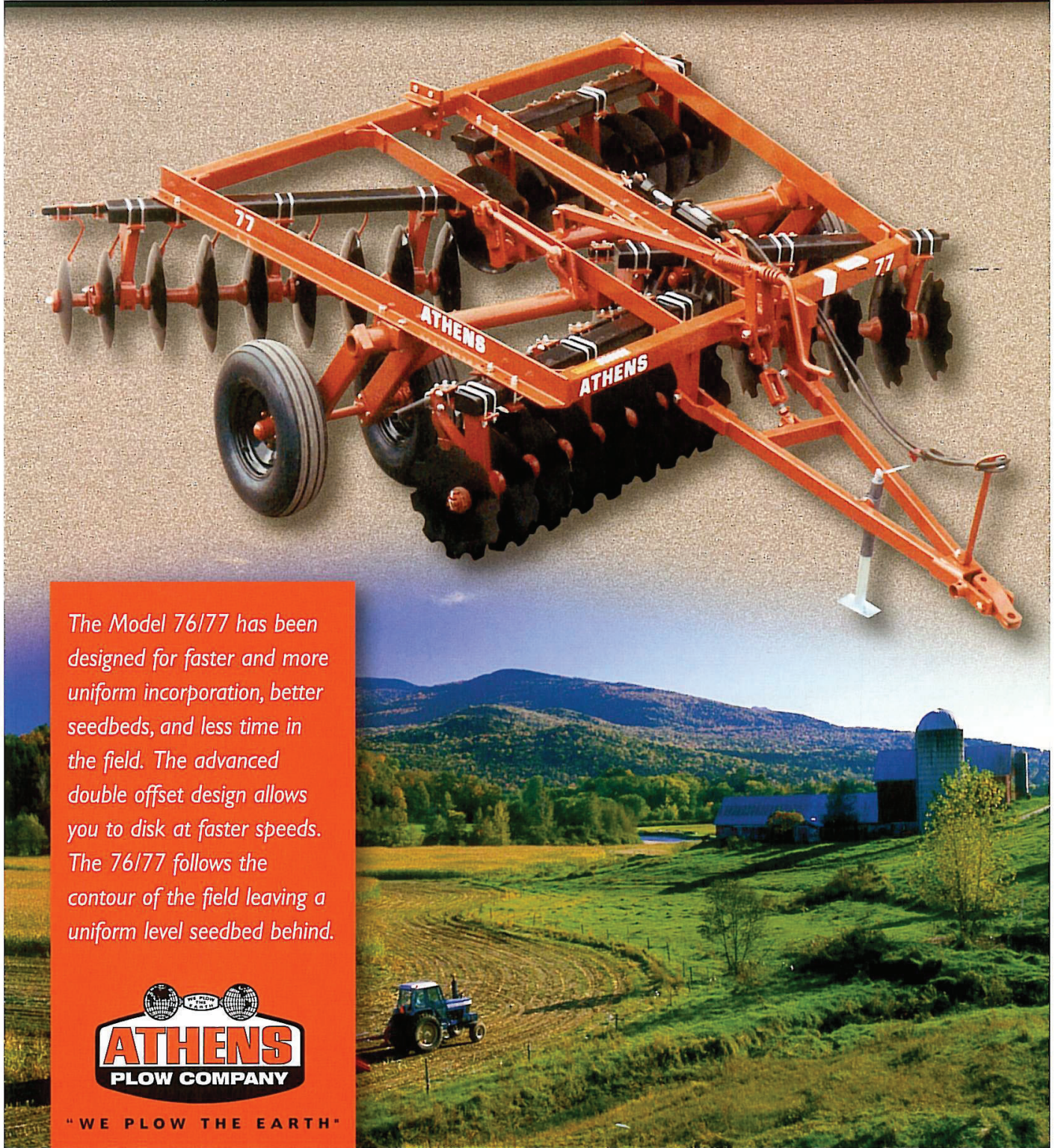


ATHENS

MODEL 76/77



The Model 76/77 has been designed for faster and more uniform incorporation, better seedbeds, and less time in the field. The advanced double offset design allows you to disk at faster speeds. The 76/77 follows the contour of the field leaving a uniform level seedbed behind.



" WE PLOW THE EARTH "



MODEL 76 SPECIFICATIONS

WIDTH OF CUT	NUMBER OF DISCS	NUMBER OF BEARINGS	*APPROX. DBHP	APPROX. WEIGHT (lbs.)
8' 10"	24, 26, 28	8	60 - 70	2,900
10' 3"	28, 30, 32	8	70 - 80	3,200
11' 1"	34, 36	12	75 - 85	3,500
11' 8"	32	12	75 - 90	3,400
13' 1"	36	12	90 - 100	3,700
13' 5"	40, 44	12	90 - 110	3,800
14' 6"	40	12	95 - 115	3,900
15' 1"	44, 48	12	100 - 120	4,200

MODEL 77 SPECIFICATIONS

WIDTH OF CUT	NUMBER OF DISCS	NUMBER OF BEARINGS	*APPROX. DBHP	APPROX. WEIGHT (lbs.)
11' 1"	34, 36	12	75 - 90	3,850
11' 8"	32	12	75 - 95	3,825
13' 1"	36	12	90 - 100	4,125
13' 6"	40, 44	12	95 - 110	4,390
14' 5"	40	12	100 - 120	4,350
15' 1"	44, 48	12	105 - 120	4,325
15' 9"	44	12	110 - 120	4,528

*Approximate Draw Bar Horse Power is only a guide. Extremely hard, soft, hilly or boggy conditions will change these figures. D.B.H.P. in excess of the recommended will void all warranty provisions.

STANDARD EQUIPMENT

- 1 1/4" Cold Rolled Square Gang Axles
- Quadraseal Ball Bearings
- Disk Blades, 22" or 24" Cutout or Smooth
- Spacing 7 1/2", 9" or 9" Front and 7 1/2" Rear
- Tapered Front and Rear Gangs
- Self Leveling Frame
- Reversible Tongue Clevis
- Adjustable Angle of Cut: 15° or 18°
- Split Wheel Carriages
- Wheel Hubs and Rims
- Dual Wheels on all 77's and on 76's from 14'6" to 15'1"
- Lifting Hydraulics
- Heavy Duty Tube Mounted Scrapers
- Cover Discs with Scrapers
- Gang Wrench and Tongue Jack

OPTIONAL EQUIPMENT

- Rigid or Spring Bearing Hangers

EXTRA EQUIPMENT

- Dual Wheels – on 76's, 8'10" to 13'5"

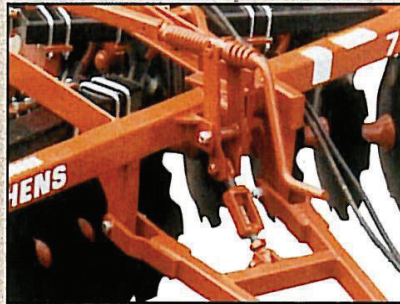
FEATURES

The MAINFRAMES of the 76/77 combine structural steel tubing and high strength angle welded and reinforced for maximum strength. Structural angle is used for the side members allowing the frame to flex so it can follow the contour of the field ... This feature reduces the stress on the frame and lengthens the life of the components.

The TONGUE is designed like a narrow "A" frame permitting shorter turns in the field. It is fitted with a balanced reversible clevis to accommodate a variety of drawbars.

GANG FRAMES are constructed from 3" x 5" heavy wall structural steel tubing.

DISC GANGS start with an axle made from 1 1/4" cold rolled square steel. The spacers are arbor machined to keep the gang components in perfect alignment. Tapered gangs front and rear reduce furrows and ridges leaving a smooth seedbed even at faster speeds. Spacing is available in 7 1/2", 9", or a combination of 9" front and 7 1/2" rear.



TWO STAGE LEVELING keeps the frame level in the field and in transport. After hitching the clevis to the tractor, the turnbuckle adjusts the tongue position to level the disk frame in transport. In the field, a leveling screw that connects the tongue to the wheel carriages is adjusted for field conditions and discing speed desired. After initial adjustment, the frame remains level while being lifted and lowered. A TURNBUCKLE connects the wheel carriages for precise side-to-side leveling.



The Rigid Bearing Hanger features a **Wear Plate** that bolts onto the front-side of the Bearing Hanger adding extra protection to the front and bottom of the Bearing Housing.

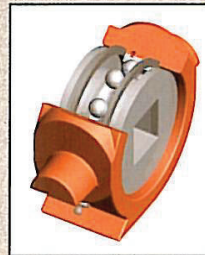


DISC BLADES

Available in 22 and 24 inch sizes. Athens Plow offers tailored solutions to meet your discing needs.

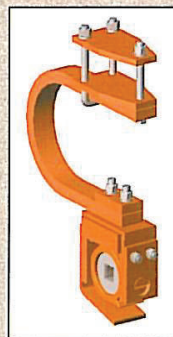
Smooth blades are best utilized in normal field conditions. They are more economical, wear longer, weigh more than cutout blades, and cut crop residue evenly.

Cutout blades are more aggressive and trap residue better than smooth blades.



Quadraseal Ball Bearings

Strong relube QUADRASEAL ball bearings on the Model 76/77 mean long life and less downtime.

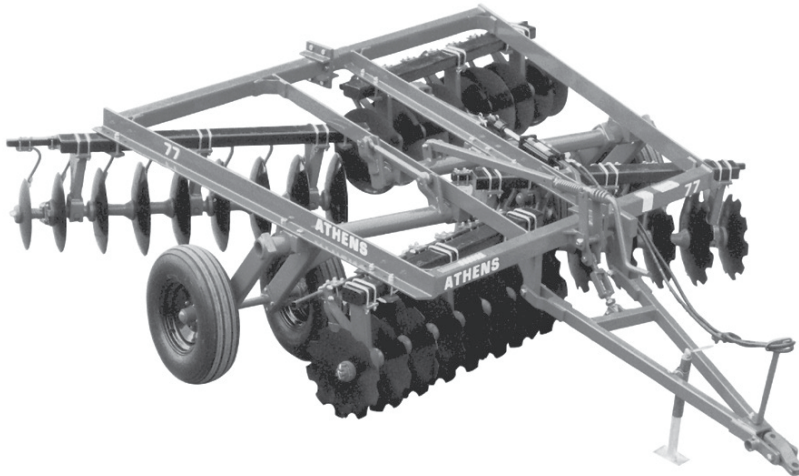


The Spring Bearing Hanger

provides maximum strength without sacrificing flexibility. It also features a **Wear Plate** which protects the front and bottom of the Bearing Housing.



ATHENS 76R RIGID DOUBLE OFFSET HARROW



SPECIFICATIONS:

Width – 8’10” to 15’1”
 22”/24” Disks Cutout or Smooth
 Spacing 9”, 7-1/2”, or 9”F/7-1/2”R
 Trunnion Mounted Housing with
 Relube Quadraseal Ball Bearings
 Spring or Rigid Bearing Hangers
 1.25 Sq. Cold Rolled Gang Axles

STANDARD EQUIPMENT:

Self Leveling Frame
 “A” Frame Tongue w/Jack
 Heavy-Duty, Tubular Mtd Scrapers
 Cover Disk w/Scrapers
 Split Wheel Carriages
 Lifting Hydraulics w/ Mech. Trnsprt
 Adjustable Angle of Cut
 15 x 6 – 5 Lug Wheels w/ Hubs
 Tapered Front & Rear Gangs

<u>MODEL NUMBER</u>	<u>DISC DIAM</u>	<u>TYPE OF DISC</u> FRNT REAR	<u>DISC THCK</u>	<u># OF DISC</u>	<u>DISC SPACING</u> FRNT REAR	<u># OF BRGS</u>	<u>APX WT</u>	<u>SUGST PRICE</u>
<u>8' 10" WIDE W/ RIGID BEARING HANGERS</u>								
76R-2427-637	22"	C.O. C.O.	.197	24	9" 9"	8	2694	\$13,870
76R-2427-667	24"	C.O. C.O.	.197	24	9" 9"	8	2840	\$14,071
76R-2427-737	22"	SM. SM.	.197	24	9" 9"	8	2714	\$13,464
76R-2427-767	24"	SM. SM.	.197	24	9" 9"	8	2870	\$13,780
76R-2427-837	22"	C.O. SM.	.197	24	9" 9"	8	2704	\$14,428
76R-2427-867	24"	C.O. SM.	.197	24	9" 9"	8	2853	\$13,930
76R-2637-637	22"	C.O. C.O.	.197	26	9" 7-1/2"	8	2752	\$14,646
76R-2637-737	22"	SM. SM.	.197	26	9" 7-1/2"	8	2783	\$14,266
76R-2637-837	22"	C.O. SM.	.197	26	9" 7-1/2"	8	2767	\$14,452
76R-2817-637	22"	C.O. C.O.	.197	28	7-1/2" 7-1/2"	8	2809	\$14,999
76R-2817-737	22"	SM. SM.	.197	28	7-1/2" 7-1/2"	8	2843	\$14,588
76R-2817-837	22"	C.O. SM.	.197	28	7-1/2" 7-1/2"	8	2825	\$14,790
<u>W/ SPRING BEARING HANGERS</u>								
76R-2426-657	22"	C.O. C.O.	.197	24	9" 9"	8	2902	\$13,913
76R-2426-757	22"	SM. SM.	.197	24	9" 9"	8	3048	\$13,711
76R-2426-857	22"	C.O. SM.	.197	24	9" 9"	8	2922	\$13,796
76R-2636-657	22"	C.O. C.O.	.197	26	9" 7-1/2"	8	2968	\$14,216
76R-2636-757	22"	SM. SM.	.197	26	9" 7-1/2"	8	2999	\$14,067
76R-2636-857	22"	C.O. SM.	.197	26	9" 7-1/2"	8	2983	\$14,140





<u>MODEL NUMBER</u>	<u>DISC DIAM</u>	<u>TYPE OF DISC</u>		<u>DISC THCK</u>	<u># OF DISC</u>	<u>DISC SPACING</u>		<u># OF BRGS</u>	<u>APX WT</u>	<u>SUGST PRICE</u>
		<u>FRNT</u>	<u>REAR</u>			<u>FRNT</u>	<u>REAR</u>			
<u>10' 3" WIDE</u>										
<u>W/ RIGID BEARING HANGERS</u>										
76R-2827-637	22"	C.O.	C.O.	.197	28	9"	9"	8	2885	\$15,037
76R-2827-667	24"	C.O.	C.O.	.197	28	9"	9"	8	3056	\$15,270
76R-2827-737	22"	SM.	SM.	.197	28	9"	9"	8	2911	\$14,623
76R-2827-767	24"	SM.	SM.	.197	28	9"	9"	8	3092	\$14,960
76R-2827-837	22"	C.O.	SM.	.197	28	9"	9"	8	2898	\$14,830
76R-2827-867	24"	C.O.	SM.	.197	28	9"	9"	8	3073	\$15,119
76R-3037-637	22"	C.O.	C.O.	.197	30	9"	7-1/2"	8	2943	\$15,391
76R-3037-737	22"	SM.	SM.	.197	30	9"	7-1/2"	8	2979	\$14,953
76R-3037-837	22"	C.O.	SM.	.197	30	9"	7-1/2"	8	2961	\$15,159
76R-3217-637	22"	C.O.	C.O.	.197	32	7-1/2"	7-1/2"	8	3012	\$15,403
76R-3217-737	22"	SM.	SM.	.197	32	7-1/2"	7-1/2"	8	3051	\$14,953
76R-3217-837	22"	C.O.	SM.	.197	32	7-1/2"	7-1/2"	8	3031	\$15,180
<u>W/ SPRING BEARING HANGERS</u>										
76R-2826-657	22"	C.O.	C.O.	.197	28	9"	9"	8	3105	\$14,976
76R-2826-757	22"	SM.	SM.	.197	28	9"	9"	8	3131	\$14,802
76R-2826-857	22"	C.O.	SM.	.197	28	9"	9"	8	3118	\$14,892
76R-3036-657	22"	C.O.	C.O.	.197	30	9"	7-1/2"	8	3175	\$15,270
76R-3036-757	22"	SM.	SM.	.197	30	9"	7-1/2"	8	3211	\$14,824
76R-3036-857	22"	C.O.	SM.	.197	30	9"	7-1/2"	8	3352	\$15,053
76R-3216-657	22"	C.O.	C.O.	.197	32	7-1/2"	7-1/2"	8	3252	\$15,568
76R-3216-757	22"	SM.	SM.	.197	32	7-1/2"	7-1/2"	8	3291	\$15,123
76R-3216-857	22"	C.O.	SM.	.197	32	7-1/2"	7-1/2"	8	3352	\$15,343
<u>11' 1" WIDE</u>										
<u>W/ RIGID BEARING HANGERS</u>										
76R-3437-637	22"	C.O.	C.O.	.197	34	9"	7-1/2"	12	3205	\$17,278
76R-3437-737	22"	SM.	SM.	.197	34	9"	7-1/2"	12	3247	\$16,768
76R-3437-837	22"	C.O.	SM.	.197	34	9"	7-1/2"	12	3227	\$17,017
76R-3617-637	22"	C.O.	C.O.	.197	36	7-1/2"	7-1/2"	12	3251	\$17,686
76R-3617-737	22"	SM.	SM.	.197	36	7-1/2"	7-1/2"	12	3295	\$17,146
76R-3617-837	22"	C.O.	SM.	.197	36	7-1/2"	7-1/2"	12	3273	\$17,425
<u>W/ SPRING BEARING HANGERS</u>										
76R-3436-657	22"	C.O.	C.O.	.197	34	9"	7-1/2"	12	3521	\$17,402
76R-3436-757	22"	SM.	SM.	.197	34	9"	7-1/2"	12	3563	\$17,196
76R-3436-857	22"	C.O.	SM.	.197	34	9"	7-1/2"	12	3543	\$17,294
76R-3616-657	22"	C.O.	C.O.	.197	36	7-1/2"	7-1/2"	12	3575	\$17,793
76R-3616-757	22"	SM.	SM.	.197	36	7-1/2"	7-1/2"	12	3619	\$17,558
76R-3616-857	22"	C.O.	SM.	.197	36	7-1/2"	7-1/2"	12	3597	\$17,680





<u>MODEL NUMBER</u>	<u>DISC DIAM</u>	<u>TYPE OF DISC</u>		<u>DISC THCK</u>	<u># OF DISC</u>	<u>DISC SPACING</u>		<u># OF BRGS</u>	<u>APX WT</u>	<u>SUGST PRICE</u>
		<u>FRNT</u>	<u>REAR</u>			<u>FRNT</u>	<u>EAR</u>			
<u>11' 8" WIDE W/ RIGID BEARING HANGERS</u>										
76R-3227-637	22"	C.O.	C.O.	.197	32	9"	9"	12	3191	\$17,003
76R-3227-667	24"	C.O.	C.O.	.197	32	9"	9"	12	3388	\$17,159
76R-3227-737	22"	SM.	SM.	.197	32	9"	9"	12	3231	\$16,542
76R-3227-767	24"	SM.	SM.	.197	32	9"	9"	12	3430	\$16,708
76R-3227-837	22"	C.O.	SM.	.197	32	9"	9"	12	3210	\$16,787
76R-3227-867	24"	C.O.	SM.	.197	32	9"	9"	12	3409	\$16,944
<u>W/ SPRING BEARING HANGERS</u>										
76R-3226-657	22"	C.O.	C.O.	.197	32	9"	9"	12	3499	\$17,141
76R-3226-757	22"	SM.	SM.	.197	32	9"	9"	12	3528	\$16,960
76R-3226-857	22"	C.O.	SM.	.197	32	9"	9"	12	3513	\$17,056
<u>13' 1" WIDE W/ RIGID BEARING HANGERS</u>										
76R-3627-637	22"	C.O.	C.O.	.197	36	9"	9"	12	3387	\$17,764
76R-3627-667	24"	C.O.	C.O.	.197	36	9"	9"	12	3611	\$18,064
76R-3627-737	22"	SM.	SM.	.197	36	9"	9"	12	3420	\$17,224
76R-3627-767	24"	SM.	SM.	.197	36	9"	9"	12	3659	\$17,653
76R-3627-837	22"	C.O.	SM.	.197	36	9"	9"	12	3388	\$17,469
76R-3627-867	24"	C.O.	SM.	.197	36	9"	9"	12	3634	\$17,861
<u>W/ SPRING BEARING HANGERS</u>										
76R-3626-657	22"	C.O.	C.O.	.197	36	9"	9"	12	3707	\$17,934
76R-3626-757	22"	SM.	SM.	.197	36	9"	9"	12	3740	\$17,638
76R-3626-857	22"	C.O.	SM.	.197	36	9"	9"	12	3708	\$17,793
<u>13' 5" WIDE W/ RIGID BEARING HANGERS</u>										
76R-4037-637	22"	C.O.	C.O.	.197	40	9"	7-1/2"	12	3531	\$18,521
76R-4037-737	22"	SM.	SM.	.197	40	9"	7-1/2"	12	3569	\$17,949
76R-4037-837	22"	C.O.	SM.	.197	40	9"	7-1/2"	12	3546	\$18,210
76R-4417-637	22"	C.O.	C.O.	.197	44	7-1/2"	7-1/2"	12	3739	\$19,276
76R-4417-737	22"	SM.	SM.	.197	44	7-1/2"	7-1/2"	12	3792	\$18,647
76R-4417-837	22"	C.O.	SM.	.197	44	7-1/2"	7-1/2"	12	3765	\$18,959
<u>W/ SPRING BEARING HANGERS</u>										
76R-4036-657	22"	C.O.	C.O.	.197	40	9"	7-1/2"	12	3871	\$18,652
76R-4036-757	22"	SM.	SM.	.197	40	9"	7-1/2"	12	3909	\$18,418
76R-4036-857	22"	C.O.	SM.	.197	40	9"	7-1/2"	12	3886	\$18,528
76R-4416-657	22"	C.O.	C.O.	.197	44	7-1/2"	7-1/2"	12	4009	\$19,374
76R-4416-757	22"	SM.	SM.	.197	44	7-1/2"	7-1/2"	12	4062	\$19,123
76R-4416-857	22"	C.O.	SM.	.197	44	7-1/2"	7-1/2"	12	4035	\$19,247





<u>MODEL NUMBER</u>	<u>DISC DIAM</u>	<u>TYPE OF DISC</u>		<u>DISC THCK</u>	<u># OF DISC</u>	<u>DISC SPACING</u>		<u># OF BRGS</u>	<u>APX WT</u>	<u>SUGST PRICE</u>
		FRNT	REAR			FRNT	REAR			
<u>14' 6" WIDE W/ RIGID BEARING HANGERS</u>										
76R-4027-637	22"	C.O.	C.O.	.197	40	9"	9"	12	3657	\$18,653
76R-4027-667	24"	C.O.	C.O.	.197	40	9"	9"	12	3910	\$18,915
76R-4027-737	22"	SM.	SM.	.197	40	9"	9"	12	3694	\$17,977
76R-4027-767	24"	SM.	SM.	.197	40	9"	9"	12	3962	\$18,291
76R-4027-837	22"	C.O.	SM.	.197	40	9"	9"	12	3676	\$18,344
76R-4027-867	24"	C.O.	SM.	.197	40	9"	9"	12	3935	\$18,532

W/ SPRING BEARING HANGERS

76R-4026-657	22"	C.O.	C.O.	.197	40	9"	9"	12	3993	\$18,786
76R-4026-757	22"	SM.	SM.	.197	40	9"	9"	12	4030	\$18,457
76R-4026-857	22"	C.O.	SM.	.197	40	9"	9"	12	4012	\$18,642

15' 1" WIDE W/ RIGID BEARING HANGERS

76R-4437-637	22"	C.O.	C.O.	.197	44	9"	7-1/2"	12	3788	\$19,369
76R-4437-737	22"	SM.	SM.	.197	44	9"	7-1/2"	12	3841	\$18,736
76R-4437-837	22"	C.O.	SM.	.197	44	9"	7-1/2"	12	3816	\$19,033
76R-4817-637	22"	C.O.	C.O.	.197	48	7-1/2"	7-1/2"	12	3908	\$20,000
76R-4817-737	22"	SM.	SM.	.197	48	7-1/2"	7-1/2"	12	3966	\$19,310
76R-4817-837	22"	C.O.	SM.	.197	48	7-1/2"	7-1/2"	12	3937	\$19,662

W/ SPRING BEARING HANGERS

76R-4436-657	22"	C.O.	C.O.	.197	44	9"	7-1/2"	16	4144	\$19,465
76R-4436-757	22"	SM.	SM.	.197	44	9"	7-1/2"	16	4197	\$19,211
76R-4436-857	22"	C.O.	SM.	.197	44	9"	7-1/2"	16	4172	\$19,328
76R-4816-657	22"	C.O.	C.O.	.197	48	7-1/2"	7-1/2"	12	4280	\$20,050
76R-4816-757	22"	SM.	SM.	.197	48	7-1/2"	7-1/2"	12	4338	\$19,785
76R-4816-857	22"	C.O.	SM.	.197	48	7-1/2"	7-1/2"	12	4309	\$19,929

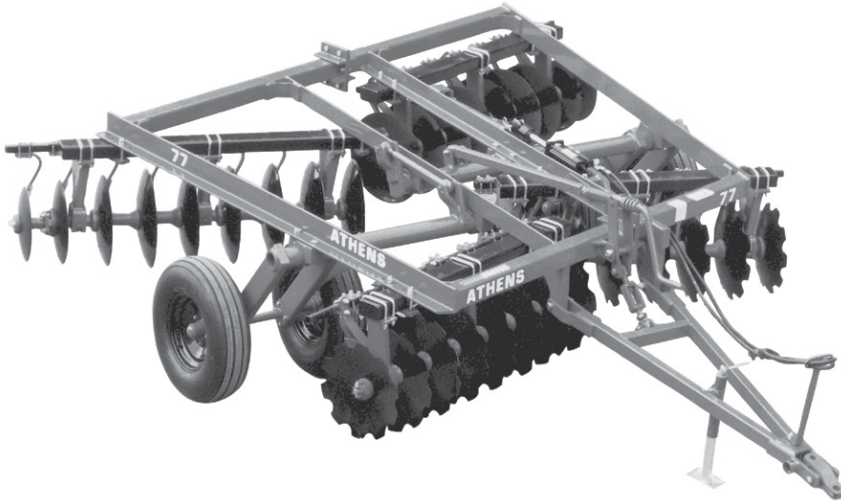
<u>EXTRA EQUIPMENT</u>									<u>APX WT</u>	<u>SUGST PRICE</u>
9-076-605156	DUAL WHEELS FOR 8' 10" TO 13' 5" UNITS (DUAL WHEELS ARE STANDARD ON 14' 6" & 15' 1" UNITS)								90	\$787
106165	AG LIGHT KIT								17	\$476

RECOMMENDED TIRE SIZE: 9.5L x 15
 CAUTION: TIRES ARE RATED AT 20 MPH MAXIMUM.
***PRICE DOES NOT INCLUDE TIRES.**





ATHENS 77R RIGID DOUBLE OFFSET DISK HARROW



SPECIFICATIONS:

Width – 11’8” to 15’9”
 22”/24” Disks, Cut or Smooth
 Spacing – 9”, 7-1/2”, 9”Frnt/7-1/2”R
 Trunnion Mounted Housing with
 QUADRASEAL Ball Bearings
 Spring or Rigid Bearing Hangers
 1.25 Sq. Cold Rolled Gang Axles

STANDARD EQUIPMENT:

Self Leveling Frame
 “A” Frame Tongue w/ Jack
 Heavy-duty Tubular Mounted Scrprs
 Cover Disk w/Scrapers
 Split Wheel Carriages
 Lifting Hyd. W/Mechanical Transport
 Adjustable Angle of Cut
 15 x 6 – Dual Wheels w/ Hubs
 Tapered Front & Rear Gangs

<u>MODEL NUMBER</u>	<u>DISC DIAM</u>	<u>TYPE OF DISC</u>		<u>DISC THCK</u>	<u># OF DISC</u>	<u>DISC SPACING</u>		<u># OF BRGS</u>	<u>APX WT</u>	<u>SUGST PRICE</u>
		<u>FRNT</u>	<u>REAR</u>			<u>FRNT</u>	<u>REAR</u>			
<u>11' 1" WIDE W/ RIGID BEARING HANGERS</u>										
77R-3437-631	22"	C.O.	C.O.	.197	34	9"	7-1/2"	12	3700	\$20,350
77R-3437-731	22"	SM	SM.	.197	34	9"	7-1/2"	12	3742	\$19,834
77R-3437-831	22"	C.O.	SM.	.197	34	9"	7-1/2"	12	3721	\$20,072
77R-3617-631	22"	C.O.	C.O.	.197	36	7-1/2"	7-1/2"	12	3746	\$20,785
77R-3617-731	22"	SM	SM.	.197	36	7-1/2"	7-1/2"	12	3789	\$20,230
77R-3617-831	22"	C.O.	SM.	.197	36	7-1/2"	7-1/2"	12	3767	\$20,511
<u>W/ SPRING BEARING HANGERS</u>										
77R-3436-651	22"	C.O.	C.O.	.197	34	9"	7-1/2"	12	4016	\$20,547
77R-3436-751	22"	SM	SM.	.197	34	9"	7-1/2"	12	4058	\$20,319
77R-3436-851	22"	C.O.	SM.	.197	34	9"	7-1/2"	12	4037	\$20,436
77R-3616-651	22"	C.O.	C.O.	.197	36	7-1/2"	7-1/2"	12	4070	\$20,963
77R-3616-751	22"	SM	SM.	.197	36	7-1/2"	7-1/2"	12	4113	\$20,725
77R-3616-851	22"	C.O.	SM.	.197	36	7-1/2"	7-1/2"	12	4091	\$20,855
<u>11' 8" WIDE W/ RIGID BEARING HANGERS</u>										
77R-3227-631	22"	C.O.	C.O.	.197	32	9"	9"	12	3701	\$20,045
77R-3227-661	24"	C.O.	C.O.	.197	32	9"	9"	12	3868	\$20,272
77R-3227-731	22"	SM.	SM.	.197	32	9"	9"	12	3740	\$19,577





<u>MODEL NUMBER</u>	<u>DISC DIAM</u>	<u>TYPE OF DISC</u>		<u>DISC THCK</u>	<u># OF DISC</u>	<u>DISC SPACING</u>		<u># OF BRGS</u>	<u>APX WT</u>	<u>SUGST PRICE</u>
		FRNT	REAR			FRNT	REAR			
<u>11' 8" WIDE</u>										
<u>W/ RIGID BEARING HANGERS (CONT'D)</u>										
77R-3227-761	24"	SM.	SM.	.197	32	9"	9"	12	3907	\$19,786
77R-3227-831	22"	C.O.	SM.	.197	32	9"	9"	12	3720	\$19,821
77R-3227-861	24"	C.O.	SM.	.197	32	9"	9"	12	3886	\$20,042
<u>W/ SPRING BEARING HANGERS</u>										
77R-3226-651	22"	C.O.	C.O.	.197	32	9"	9"	12	4009	\$19,926
77R-3226-751	22"	SM.	SM.	.197	32	9"	9"	12	4048	\$19,725
77R-3226-851	22"	C.O.	SM.	.197	32	9"	9"	12	4028	\$19,832
<u>13' 1" WIDE</u>										
<u>W/ RIGID BEARING HANGERS</u>										
77R-3627-631	22"	C.O.	C.O.	.197	36	9"	9"	12	3913	\$20,866
77R-3627-661	24"	C.O.	C.O.	.197	36	9"	9"	12	4093	\$21,260
77R-3627-731	22"	SM.	SM.	.197	36	9"	9"	12	3950	\$20,232
77R-3627-761	24"	SM.	SM.	.197	36	9"	9"	12	4146	\$20,809
77R-3627-831	22"	C.O.	SM.	.197	36	9"	9"	12	3934	\$20,556
77R-3627-861	24"	C.O.	SM.	.197	36	9"	9"	12	4123	\$21,041
<u>W/ SPRING BEARING HANGERS</u>										
77R-3626-651	22"	C.O.	C.O.	.197	36	9"	9"	12	4219	\$21,051
77R-3626-751	22"	SM.	SM.	.197	36	9"	9"	12	4260	\$20,730
77R-3626-851	22"	C.O.	SM.	.197	36	9"	9"	12	4240	\$20,894
<u>13' 6" WIDE</u>										
<u>W/ RIGID BEARING HANGERS</u>										
77R-4037-631	22"	C.O.	C.O.	.197	40	9"	7-1/2"	12	4011	\$21,674
77R-4037-731	22"	SM.	SM.	.197	40	9"	7-1/2"	12	4059	\$21,080
77R-4037-831	22"	C.O.	SM.	.197	40	9"	7-1/2"	12	4037	\$21,352
77R-4417-631	22"	C.O.	C.O.	.197	44	7-1/2"	7-1/2"	12	4147	\$22,487
77R-4417-731	22"	SM.	SM.	.197	44	7-1/2"	7-1/2"	12	4200	\$21,839
77R-4417-831	22"	C.O.	SM.	.197	44	7-1/2"	7-1/2"	12	4174	\$22,163
<u>W/ SPRING BEARING HANGERS</u>										
77R-4036-651	22"	C.O.	C.O.	.197	40	9"	7-1/2"	12	4351	\$21,824
77R-4036-751	22"	SM.	SM.	.197	40	9"	7-1/2"	12	4399	\$21,572
77R-4036-851	22"	C.O.	SM.	.197	40	9"	7-1/2"	12	4379	\$21,697
77R-4416-651	22"	C.O.	C.O.	.197	44	7-1/2"	7-1/2"	12	4503	\$22,619
77R-4416-751	22"	SM.	SM.	.197	44	7-1/2"	7-1/2"	12	4556	\$22,338
77R-4416-851	22"	C.O.	SM.	.197	44	7-1/2"	7-1/2"	12	4530	\$22,478
<u>14' 6" WIDE</u>										
<u>W/ RIGID BEARING HANGERS</u>										
77R-4027-631	22"	C.O.	C.O.	.197	40	9"	9"	12	4080	\$21,814
77R-4027-661	24"	C.O.	C.O.	.197	40	9"	9"	12	4290	\$22,331
77R-4027-731	22"	SM.	SM.	.197	40	9"	9"	12	4129	\$21,242





<u>MODEL NUMBER</u>	<u>DISC DIAM</u>	<u>TYPE OF DISC</u>		<u>DISC THCK</u>	<u># OF DISC</u>	<u>DISC SPACING</u>		<u># OF BRGS</u>	<u>APX WT</u>	<u>SUGST PRICE</u>
		FRNT	REAR			FRNT	REAR			
<u>14' 6" WIDE</u>										
<u>W/ RIGID BEARING HANGERS (CONT'D)</u>										
77R-4027-761	24"	SM.	SM.	.197	40	9"	9"	12	4342	\$21,499
77R-4027-831	22"	C.O.	SM.	.197	40	9"	9"	12	4108	\$21,532
77R-4027-861	24"	C.O.	SM.	.197	40	9"	9"	12	4316	\$21,824
<u>W/ SPRING BEARING HANGER</u>										
77R-4026-651	22"	C.O.	C.O.	.197	40	9"	9"	12	4420	\$21,970
77R-4026-751	22"	SM.	SM.	.197	40	9"	9"	12	4469	\$21,824
77R-4026-851	22"	C.O.	SM.	.197	40	9"	9"	12	4448	\$21,852
<u>15' 1" WIDE</u>										
<u>W/ RIGID BEARING HANGERS</u>										
77R-4437-631	22"	C.O.	C.O.	.197	44	9"	7-1/2"	12	4217	\$22,917
77R-4437-731	22"	SM.	SM.	.197	44	9"	7-1/2"	12	4240	\$22,065
77R-4437-831	22"	C.O.	SM.	.197	44	9"	7-1/2"	12	4216	\$22,385
77R-4817-631	22"	C.O.	C.O.	.197	48	7-1/2"	7-1/2"	12	4327	\$23,393
77R-4817-731	22"	SM.	SM.	.197	48	7-1/2"	7-1/2"	12	4485	\$22,668
77R-4817-831	22"	C.O.	SM.	.197	48	7-1/2"	7-1/2"	12	4356	\$23,039
<u>W/ SPRING BEARING HANGERS</u>										
77R-4436-651	22"	C.O.	C.O.	.197	44	9"	7-1/2"	12	4573	\$22,711
77R-4436-751	22"	SM.	SM.	.197	44	9"	7-1/2"	12	4596	\$22,432
77R-4436-851	22"	C.O.	SM.	.197	44	9"	7-1/2"	12	4572	\$22,575
77R-4816-651	22"	C.O.	C.O.	.197	48	7-1/2"	7-1/2"	12	4699	\$23,485
77R-4816-751	22"	SM.	SM.	.197	48	7-1/2"	7-1/2"	12	4857	\$23,170
77R-4816-851	22"	C.O.	SM.	.197	48	7-1/2"	7-1/2"	12	4728	\$23,339
<u>15' 9" WIDE</u>										
<u>W/ RIGID BEARING HANGERS</u>										
77R-4427-631	22"	C.O.	C.O.	.197	44	9"	9"	12	4247	\$22,767
77R-4427-661	24"	C.O.	C.O.	.197	44	9"	9"	12	4487	\$23,244
77R-4427-731	22"	SM.	SM.	.197	44	9"	9"	12	4308	\$22,138
77R-4427-761	24"	SM.	SM.	.197	44	9"	9"	12	4538	\$22,380
77R-4427-831	22"	C.O.	SM.	.197	44	9"	9"	12	4282	\$22,462
77R-4427-861	24"	C.O.	SM.	.197	44	9"	9"	12	4509	\$22,715

<u>EXTRA EQUIPMENT</u>		<u>APX WT</u>	<u>SUGST PRICE</u>
106165	AG LIGHT KIT	17#	\$476

RECOMMENDED TIRE SIZE: 9.5L x 15 (4 REQUIRED)
 CAUTION: TIRES ARE RATED AT 20 MPH MAXIMUM.
 *PRICE DOES NOT INCLUDE TIRES.



ATHENS

**MODELS
116 / 119**



"WE PLOW THE EARTH"

 **GENERAL
IMPLEMENT**
DISTRIBUTORS

ATHENS PLOW COMPANY

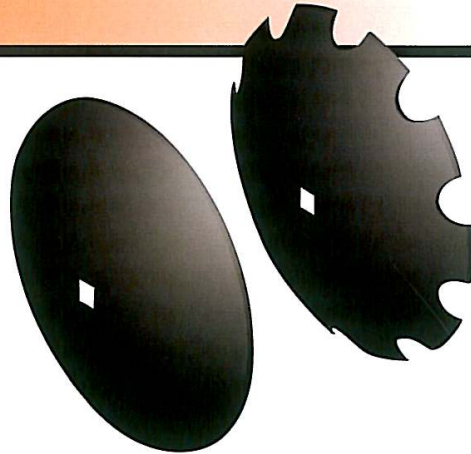


ATHENS MODEL 116



ATHENS MODEL 119

DOUBLE OFFSET DISCS

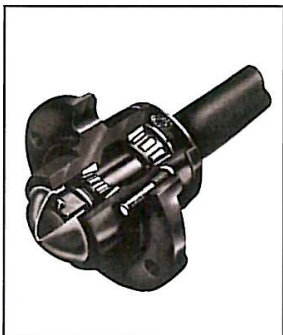


DISC BLADES

Available in 22 and 24 inch sizes. Athens Plow offers tailored solutions to meet your disking needs.

Smooth blades are best utilized in normal field conditions. They are more economical, wear longer, weigh more than cutout blades, and cut crop residue evenly.

Cutout blades are more aggressive and trap residue better than smooth blades.



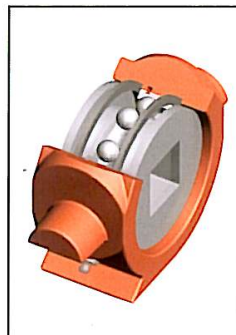
The Quadraseal Wheel Hubs

are an exclusive ATHENS PLOW design for increased Bearing life and reduction of downtime. Our Quadraseal Wheel Hubs offer maximum protection from dirt and trash by combining a triple lip seal with a press fitted external trash flinger. The Quadraseal Bearings give added bearing life.



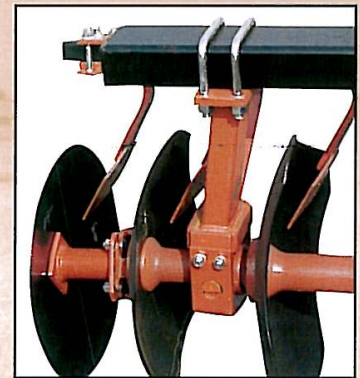
The Quadraseal Double Tapered Roller Bearings

provide the most capacity in the industry. With this added capacity, the probability of overloading is virtually eliminated. The double tapered roller bearing has a triple-lip seal that runs on a hardened, polished surface and is protected by a heavy steel washer to avoid damage from wire and trash. Between the washer and the seal is a cavity filled with grease – an additional sealing element against dirt.



Quadraseal Ball Bearings

Strong relube Quadraseal ball bearings on the 116 cutout or smooth disc blades mean long life and less downtime.



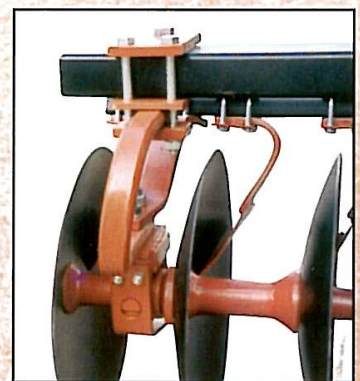
The Rigid Bearing Hanger

on the 116 features a **Wear Plate** that bolts onto the front-side of the Bearing Hanger adding extra protection to the front and bottom of the Bearing Housing.



Narrow Transport

The Wings on the Athens 116/119 hinge from the Main Frame, resulting in narrower transport width and better flotation. The folding width is 11' 6" (on 16' 8" – 23' 4" models) and 13' (on the 26' and 29' models).



The Spring Bearing Hanger

on the 119 provides maximum strength without sacrificing flexibility. It also features a **Wear Plate** which protects the front and bottom of the Bearing Housing.

DOUBLE OFFSET DISCS

STANDARD EQUIPMENT

Model 116: Cutout & Smooth

- Quadraseal Ball Bearings
- Rigid Bearing Hangers with Wear Guards
- Disc Blades, 22" or 24" Smooth or Cutout
- 1½" Cold Rolled Square Gang Axle
- Spacing, 7½", 9", or 9" Front and 7½" Rear
- Single Tapered Disc on Front
- Double Tapered Discs on Rear
- Adjustable Cutting Angle, 15° or 19°
- Cover Discs with Scrapers
- Six Lug Wheel Hubs and Rims
- Self Leveling Frame
- Lifting and Folding Hydraulics
- Reversible Tongue Clevis
- Gang Wrench and Tongue Jack

Model 119: Cutout & Smooth

- Double Tapered Roller Bearings
- Spring Bearing Hangers with Wear Plates
- Disc Blades, 22" Smooth or Cutout
- 1½" Cold Rolled Square Gang Axle
- Spacing, 9"
- Single Tapered Disc on Front
- Double Tapered Discs on Rear
- Adjustable Cutting Angle, 15° or 19°
- Cover Discs with Scrapers
- Six Lug Wheel Hubs and Rims
- Self Leveling Frame
- Lifting and Folding Hydraulics
- Reversible Tongue Clevis
- Gang Wrench and Tongue Jack

Athens Plow Co., Inc. guarantees each piece of equipment against defective materials and workmanship for a period of one year from the date of delivery to the purchaser unless otherwise specified. Athens Plow Co., Inc. reserves the right to make changes and/or improvements in design and construction of parts or machines without notice or obligation.

MODELS 116/119: Cutout and Smooth Blades

NARROW MAIN FRAME

WIDTH OF CUT	NUMBER OF DISCS	APPROX. WEIGHT (lbs.)	TRANSPORT WIDTH	TRANSPORT HEIGHT	NUMBER OF BEARINGS	***APPROX. DBHP
16' 8"	44, 48, 52	7,390	11' 4"	8' 8"	16	120
19' 6"	52, 56, 60	7,790	11' 4"	10' 3"	16	140-150
22'	56, 62, 68	8,047	11' 4"	11' 6"	16	150-160
23' 4"	60, 66, 72	8,711	11' 4"	12' 6"	20	165

WIDE MAIN FRAME

26'	70*	9,806	13'	12' 6"	24	225
28' 8"	78*	10,278	13'	14'	24	265

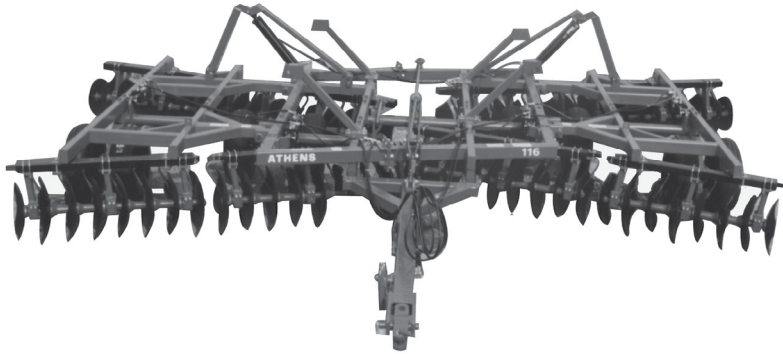
* Includes Cover Discs

** Approximate DBHP is only given as a guide. Extremely hard, soft, hilly or boggy conditions will change these figures.





**ATHENS 116 FLEX WING
DOUBLE OFFSET DISK HARROW**



SPECIFICATIONS:

16'8" to 28'8" Widths
 Flex Wing, Double Offset
 Truss-Braced, Tubular Frames
 Self – Leveling Frame
 Two Pairs Slave Lftg Cylinders
 Six or Eight Lifting Wheels
 Angle Adjustable (15 – 19)
 Transport Height Maximum 168"
 Transport Width Maximum 136"
 22" or 24" Disks, 1.25" Sq. Axle
 Disk Spacing – 9", 7-1/2" or
 9" Frt, 7-1/2" R

STANDARD EQUIPMENT:

Trunnion Mounted, Rigid Bearing
 Hangers w/QUADRASEAL Ball
 Bearings
 Lifting and Folding Hydraulics
 "A" Frame Tongue w/ Jack
 Reversible Tongue Clevis
 Cover Disks with Disks & Scrapers
 Heavy Duty Disk Scrapers
 Double Tapered Disks on Rear
 Single Tapered Disks on Front
 Dual Wheels on Center Section

<u>MODEL NUMBER</u>	<u>DISC DIAM</u>	<u>TYPE OF DISC</u> FRNT REAR	<u>DISC THCK</u>	<u># OF DISC</u>	<u>DISC SPACING</u> FRNT REAR	<u># OF BRGS</u>	<u>APX WT</u>	<u>SUGST PRICE</u>
<u>16' 8" WIDE</u>								
116-4427-651	22"	C.O. C.O.	.197	44	9" 9"	16	7233	\$35,347
116-4427-661	24"	C.O. C.O.	.197	44	9" 9"	16	7319	\$36,018
116-4427-751	22"	SM. SM.	.197	44	9" 9"	16	7277	\$34,867
116-4427-761	24"	SM. SM.	.197	44	9" 9"	16	7374	\$35,364
116-4427-851	22"	C.O. SM.	.197	44	9" 9"	16	7255	\$35,113
116-4427-861	24"	C.O. SM.	.197	44	9" 9"	16	7347	\$35,702
116-4837-651	22"	C.O. C.O.	.197	48	9" 7-1/2"	16	7350	\$36,032
116-4837-751	22"	SM. SM.	.197	48	9" 7-1/2"	16	7398	\$35,508
116-4837-851	22"	C.O. SM.	.197	48	9" 7-1/2"	16	7376	\$35,755
116-5217-651	22"	C.O. C.O.	.197	52	7-1/2" 7-1/2"	16	7496	\$36,735
116-5217-751	22"	SM. SM.	.197	52	7-1/2" 7-1/2"	16	7548	\$36,160
116-5217-851	22"	C.O. SM.	.197	52	7-1/2" 7-1/2"	16	7522	\$36,460



Prices Effective as of 5-24

MODEL NUMBER	DISC DIAM	TYPE OF DISC		DISC THCK	# OF DISC	DISC SPACING		# OF BRGS	APX WT	SUGST PRICE
		FRNT	REAR			FRNT	EAR			
<u>19' 6" WIDE</u>										
116-5227-651	22"	C.O.	C.O.	.197	52	9"	9"	16	7635	\$36,985
116-5227-661	24"	C.O.	C.O.	.197	52	9"	9"	16	7735	\$37,777
116-5227-751	22"	SM.	SM.	.197	52	9"	9"	16	7687	\$36,433
116-5227-761	24"	SM.	SM.	.197	52	9"	9"	16	7800	\$37,080
116-5227-851	22"	C.O.	SM.	.197	52	9"	9"	16	7661	\$36,738
116-5227-861	24"	C.O.	SM.	.197	52	9"	9"	16	7768	\$37,397
116-5637-651	22"	C.O.	C.O.	.197	56	9"	7-1/2"	16	7734	\$37,746
116-5637-751	22"	SM.	SM.	.197	56	9"	7-1/2"	16	7790	\$37,101
116-5637-851	22"	C.O.	SM.	.197	56	9"	7-1/2"	16	7764	\$37,397
116-6017-651	22"	C.O.	C.O.	.197	60	7-1/2"	7-1/2"	16	7885	\$38,402
116-6017-751	22"	SM.	SM.	.197	60	7-1/2"	7-1/2"	16	7945	\$37,738
116-6017-851	22"	C.O.	SM.	.197	60	7-1/2"	7-1/2"	16	7915	\$38,089
<u>22' 0" WIDE</u>										
116-5627-651	22"	C.O.	C.O.	.197	56	9"	9"	16	7756	\$37,713
116-5627-661	24"	C.O.	C.O.	.197	56	9"	9"	16	8002	\$38,554
116-5627-751	22"	SM.	SM.	.197	56	9"	9"	16	7872	\$37,371
116-5627-761	24"	SM.	SM.	.197	56	9"	9"	16	8059	\$38,045
116-5627-851	22"	C.O.	SM.	.197	56	9"	9"	16	7830	\$37,548
116-5627-861	24"	C.O.	SM.	.197	56	9"	9"	16	8031	\$38,567
116-6237-651	22"	C.O.	C.O.	.197	62	9"	7-1/2"	16	7890	\$38,289
116-6237-751	22"	SM.	SM.	.197	62	9"	7-1/2"	16	7982	\$38,002
116-6237-851	22"	C.O.	SM.	.197	62	9"	7-1/2"	16	7940	\$38,074
116-6817-651	22"	C.O.	C.O.	.197	68	7-1/2"	7-1/2"	18	8237	\$41,132
116-6817-751	22"	SM.	SM.	.197	68	7-1/2"	7-1/2"	18	8338	\$40,491
116-6817-851	22"	C.O.	SM.	.197	68	7-1/2"	7-1/2"	18	8284	\$40,915
<u>23' 4" WIDE</u>										
116-6027-652	22"	C.O.	C.O.	.197	60	9"	9"	20	8567	\$40,723
116-6027-662	24"	C.O.	C.O.	.197	60	9"	9"	20	8451	\$41,620
116-6027-752	22"	SM.	SM.	.197	60	9"	9"	20	8627	\$40,054
116-6027-762	24"	SM.	SM.	.197	60	9"	9"	20	8526	\$40,708
116-6027-852	22"	C.O.	SM.	.197	60	9"	9"	20	8597	\$40,400
116-6027-862	24"	C.O.	SM.	.197	60	9"	9"	20	8477	\$41,178
116-6637-652	22"	C.O.	C.O.	.197	66	9"	7-1/2"	20	8723	\$41,769
116-6637-752	22"	SM.	SM.	.197	66	9"	7-1/2"	20	8822	\$41,027
116-6637-852	22"	C.O.	SM.	.197	66	9"	7-1/2"	20	8789	\$41,375
116-7217-652	22"	C.O.	C.O.	.197	72	7-1/2"	7-1/2"	20	8898	\$42,869
116-7217-752	22"	SM.	SM.	.197	72	7-1/2"	7-1/2"	20	8970	\$42,055
116-7217-852	22"	C.O.	SM.	.197	72	7-1/2"	7-1/2"	20	8934	\$42,475



Prices and Specifications may be subject to change without notice. Prices do not include shipping or setup.



MODEL NUMBER	DISC DIAM	TYPE OF DISC		DISC THCK	# OF DISC	DISC SPACING		# OF BRGS	APX WT	SUGST PRICE
		FRNT	REAR			FRNT	REAR			
<u>26' 0" WIDE</u>										
116-7027-653	22"	C.O.	C.O.	.197	68	9"	9"	24	9699	\$45,946
116-7027-663	24"	C.O.	C.O.	.197	68	9"	9"	24	9826	\$46,896
116-7027-753	22"	SM.	SM.	.197	68	9"	9"	24	9767	\$45,174
116-7027-763	24"	SM.	SM.	.197	68	9"	9"	24	9912	\$45,889
116-7027-853	22"	C.O.	SM.	.197	68	9"	9"	24	9733	\$45,556
116-7027-863	24"	C.O.	SM.	.197	68	9"	9"	24	9870	\$46,405
<u>28' 8" WIDE</u>										
116-7827-653	22"	C.O.	C.O.	.197	76	9"	9"	24	10135	\$48,731
116-7827-663	24"	C.O.	C.O.	.197	76	9"	9"	24	10305	\$49,449
116-7827-753	22"	SM.	SM.	.197	76	9"	9"	24	10250	\$48,255
116-7827-763	24"	SM.	SM.	.197	76	9"	9"	24	10420	\$48,975
116-7827-853	22"	C.O.	SM.	.197	76	9"	9"	24	10200	\$48,494
116-7827-863	24"	C.O.	SM.	.197	76	9"	9"	24	10310	\$49,209

<u>EXTRA EQUIPMENT</u>		APX WT	SUGST PRICE
9-116-606158	Dual Wheels for Narrow Wing Units (16' 8" & 19' 6") w/ Two 15 x 6, Six Lug Wheels Dual Wheels Standard on 22' 0" and up	112#	\$1,010
106122	AG LIGHT KIT	18#	\$476

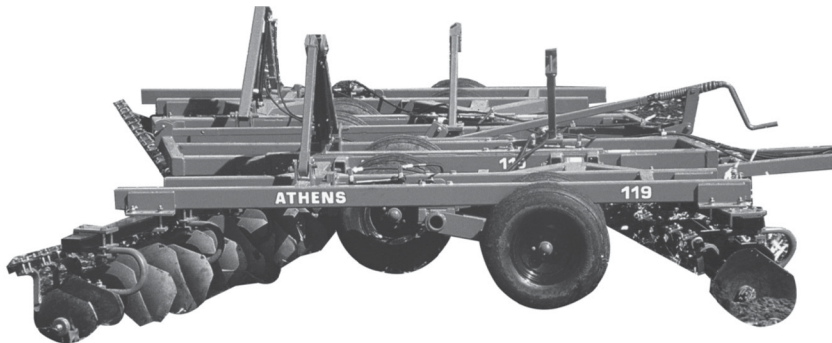
Tapered Double Roller Bearings available at \$98.00 per bearing

RECOMMENDED TIRE SIZE: 11L x 15
CAUTION: TIRES ARE RATED AT 20 MPH MAXIMUM.
***PRICE DOES NOT INCLUDE TIRES.**





**ATHENS 119 FLEX WING
DOUBLE OFFSET DISK HARROW**



SPECIFICATIONS:

19'6" To 28'8" Widths
 Flex Wing, Double Offset
 Truss-Braced, Tubular Frames
 Two Pairs Slave Lftg Cylinders
 Six or Eight Wheels
 Angle Adjustable (15-19)
 Transport Height Maximum, 168"
 Transport Width Maximum, 136" or 156"
 22" Disks on 1.25" Sq. Axle
 Disk Spacing – 9"
 "A" Frame Braced Tongue

STANDARD EQUIPMENT:

Double-Row Tapered
 QUADRASEAL Bearings
 Spring Bearing Hangers
 Lifting and Folding Hydraulics
 Tongue with Heavy-Duty Jack
 Reversible Tongue Clevis
 Cover-Disks w/Disks and Scrapers
 Heavy-Duty Disk Scrapers
 Double Tapered Disks on Rear
 Single Tapered Disks on Front
 Dual Wheels on Center Section

<u>MODEL NUMBER</u>	<u>DISC DIAM</u>	<u>TYPE OF DISC</u> FRNT REAR	<u>DISC THCK</u>	<u># OF DISC</u>	<u>DISC SPACING</u>	<u># OF BRGS</u>	<u>APX WT</u>	<u>SUGST PRICE</u>
<u>19' 6" WIDE</u>								
119-5424-651	22"	C.O. C.O.	.197	52	9"	18	8070	\$42,770
119-5424-751	22"	SM. SM.	.197	52	9"	18	8122	\$42,143
119-5424-851	22"	C.O. SM.	.197	52	9"	18	8096	\$42,471
<u>22' 0" WIDE</u>								
119-5824-651	22"	C.O. C.O.	.197	56	9"	18	8451	\$43,503
119-5824-751	22"	SM. SM.	.197	56	9"	18	8272	\$43,124
119-5824-851	22"	C.O. SM.	.197	56	9"	18	8230	\$43,313
<u>23' 4" WIDE</u>								
119-6224-652	22"	C.O. C.O.	.197	60	9"	22	9182	\$48,357
119-6224-752	22"	SM. SM.	.197	60	9"	22	9242	\$47,615
119-6224-852	22"	C.O. SM.	.197	60	9"	22	9212	\$48,004



Prices Effective as of 5-24



<u>MODEL NUMBER</u>	<u>DISC DIAM</u>	<u>TYPE OF DISC</u>		<u>DISC THCK</u>	<u># OF DISC</u>	<u>DISC SPACING</u>	<u># OF BRGS</u>	<u>APX WT</u>	<u>SUGST PRICE</u>
		<u>FRNT</u>	<u>REAR</u>						
<u>26' 0" WIDE</u>									
119-7024-652	22"	C.O.	C.O.	.197	68	9"	24	9690	\$52,061
119-7024-752	22"	SM.	SM.	.197	68	9"	24	9758	\$51,219
119-7024-852	22"	C.O.	SM.	.197	68	9"	24	9724	\$51,659
<u>29' 0" WIDE</u>									
119-7824-652	22"	C.O.	C.O.	.197	76	9"	24	10203	\$56,501
119-7824-752	22"	SM.	SM.	.197	76	9"	24	10271	\$55,606
119-7824-852	22"	C.O.	SM.	.197	76	9"	24	10237	\$56,053

<u>EXTRA EQUIPMENT</u>	<u>APX WT</u>	<u>SUGST PRICE</u>
9-119-606158 DUAL WHEELS FOR NARROW WING UNITS FOR 19' 6" W/ TWO 15 X 6, SIX LUG WHEELS (DUAL WHEELS STANDARD ON WIDE WINGS 22' 0" & UP)	86#	\$980
106122 AG LIGHT KIT	18#	\$476

RECOMMENDED TIRE SIZE: 11L X 15
 CAUTION: TIRES ARE RATED AT 20 MPH MAXIMUM.
 *PRICE DOES NOT INCLUDE TIRES.



Prices and Specifications may be subject to change without notice. Prices do not include shipping or setup.