

# ARBUS 500

English version

EDITION - 06/2007

CODE - 979128

## Parts catalog



**MÁQUINAS AGRÍCOLAS JACTO S.A.**

Rua Dr. Luiz Miranda, 1650

17580-000 - Pompéia - SP - Brasil

Tel.: +55 14 3405-2100 - Fax: +55 14 3452 1306

E-mail: [export@jacto.com.br](mailto:export@jacto.com.br)

Home page: <http://www.jacto.com.br>



# ARBUS 500

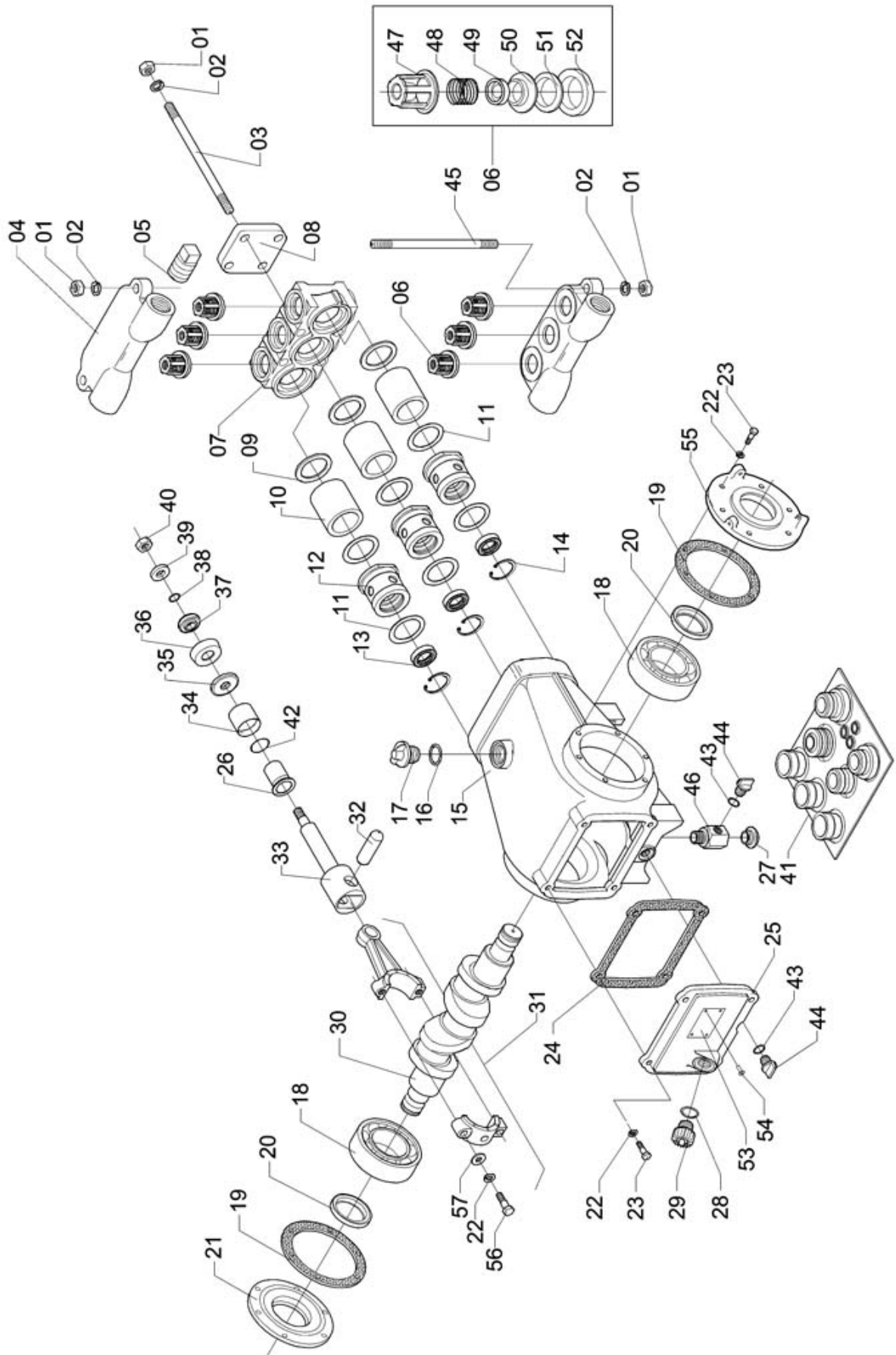
EQUIPMENT	PAGE
ARBUS 500 (W/O VERTICAL DEFLECTOR / FIXED AXLE).....	4

**ARBUS 500 (W/O VERTICAL DEFLECTOR / FIXED AXLE)  
(CODE: 679688)**

ENTIRE ASSEMBLIES	PAGE
ACCESSORIES BOX	20 20 20
ADJUSTABLE AXLE NO. 18	30 30 30
APPLICATION ASSEMBLY	18 18 18
ARBUS-500 DECALS LAY OUT	12 12 12
BEARING BLOCK NO. 22	29 29 29
CABLE ACTUATOR	26 26 26
CHEMICAL CIRCUIT	8 8 8
CHEMICAL CONTAINER RINSE NOZZLE KIT NO. 05	25 25 25
CHEMICAL CONTAINER RINSE NOZZLE ROD	37 37 37
CHEMICAL CONTAINER RINSE NOZZLE VALVE	28 28 28
CONTROL WITH PRESSURE REGULATOR RELIEF VALVE	14 14 14
CONVENTIONAL PTO SHAFT 700 S 2200 - Z=6 X $\phi$ 30	38
DOUBLE NOZZLE HOLDER LL ASSEMBLY	16 16 16
DRIVE TRANSMISSION AND COMPLEMENTS	22 22 22
DRIVEN TRANSMISSION AND COMPLEMENTS	8 8 8
FILTER FVS-100	33 33 33
FLEXIBLE CABLE WITH COUPLING FORK	34 34 34
HYDRAULIC AGITATOR NO. 10	24 24 24
JACK NO. 13	21
JACK NO. 14	40 40
PTO SHAFT 400	19 19 19
PUMP JP-50 WITH COUPLING	27 27 27



PUMP JP-50V



B-81

**PUMP JP-50V**

Continuation

Item	CODE	DESCRIPTION	Qty.	Item	CODE	DESCRIPTION	Qty.
00	085852	Pump JP-50V	1				
01	912790	Hex. nut 1/2" - 13 UNC	8				
02	908582	Lock washer 1/2"	8				
03	911974	Stud bolt $\varnothing$ 1/2" - 13 UNC x 210	4				
04	110304	Valves cover	2				
05	911305	Plug $\varnothing$ 1/2" BSP	2				
06	261404	Pump valve	6				
07	110288	Pump head	1				
08	110320	Clip plate	1				
09	912493	Seal washer $\varnothing$ 54 x 2.0	3				
10	423517	Pump sleeve	3				
11	912154	Packing $\varnothing$ 54 x 41.5 x 0.4	6				
12	090126	External sleeve guide	3				
13	106922	Retainer $\varnothing$ 22 x 35.2 x 7	3				
14	107524	Snap ring for hole $\varnothing$ 36	3				
15	088294	Pump body	1				
16	012724	O-ring ORI-119	1				
17	328542	Plug $\varnothing$ 3/4" BSP	1				
18	107557	Fixed bearing	2				
19	912147	Packing	2				
20	106930	Retainer	2				
21	911727	Flange with wing	1				
22	519736	Lock washer M8	22				
23	663153	Hex. bolt 5/16" - 18 UNC x 3/4"	22				
24	110379	Packing	1				
25	110338	Pump cover	1				
26	074062	Rod cap	3				
27	521351	Oil sight 1/2" BSP with packing ring	1				
28	210146	O-ring OR1-117	1				
29	213736	Plug 1/2" BSP	1				
30	130872	Crankshaft	1				
31	130401	Connecting rod assembly	3				
32	911677	Connecting rod shaft	3				
33	012922	Rod guide	3				
34	074054	Deflecting cup	3				
35	911842	Piston cup assembly	3				
36	211482	Piston cup	3				
37	211375	Piston	3				
38	901405	O-ring ORI-014	3				
39	911867	Flat washer 130 x 254 x 50	3				
40	324178	Nut $\varnothing$ 1/4" - 20 UNF	3				
41	217133	Pump repair kit	1				
42	335406	O-ring OR1-023	3				
43	325290	O-ring OR1-112	2				
44	520775	Drain plug 1/4" BSP	2				
45	130906	Stud bolt $\varnothing$ 1/2"- 13 UNC x 200	2				
46	580670	Adapter for oil sigh	1				
47	073809	Gaiola	6				
48	088070	Compression spring $\varnothing$ 19.7 z LO= 23.1	6				
49	088187	Disc $\varnothing$ 21.9/22	6				
50	407296	Valve seat	6				
51	508317	Guide ring - pump valve	6				
52	508333	Valve packing	6				
53	110387	Identification plate	1				
54	109587	Round head rivet	4				
55	228395	Flange with wing	1				
56	831503	Hex. bolt 5/16"-18 UNC x 1.3/4"	6				
57	979237	Flat washer 5,30 x 10,0 x 1,0	6				
	959957	Sticker: "Keep oil on level"	1				





# CHEMICAL CIRCUIT

Continuation

Item	CODE	DESCRIPTION	Qty.	Item	CODE	DESCRIPTION	Qty.
00	084061	Chemical circuit	1	57	818112	Flat washer 130 x 240 x 30	2
01	005777	Filter FVS-100	1	58	423814	Clamp D22-32 - stainless steel	10
02	511733	Round nut ø 1" BSP	2	59	428730	Elbow 3/4" x 1/2" BSP -14 F.P.P.	2
03	005934	Valve seat	1	60	428748	Flanged nut 1/2" BSP -14 F.P.P.	2
04	007229	Bolt 1/4" x 20 UNC x 3/4"	3	61	819540	Hose fitting ø 1"	1
05	402412	Lock washer ø 31 x 22.5 x 22.5/3.0	2	62	715730	Cotter pin 3/4" BSP x 14 BSP	1
06	015305	Square key 5/16" x 30	1	63	519736	Lock washer M8	8
07	098004	Filler unit with connector	1	64	910000	Nipple 1" BSP	1
08	969279	Flat washer 380 x 560 x 19	2	65	405753	Hex. nut 1" - 11 BSP	1
09	013433	Flat washer	8	66	088591	Fitting 1/2" x 1" BSP	1
10	928960	O-ring OR1-217	1	67	517870	Hose 1" x 660	1
11	083030	Coupling lock	1	68	010686	Nut 3/4" BSP-14 F.P.P	2
12	083287	Chemical container rinse nozzle kit fitting	1	69	088096	Semiclamp for tube 19	4
13	690545	Control support	1	70	560573	Lid diaphragm	1
14	083568	Lever	1	71	563510	Seal washer ø 36,3	2
15	911362	Nipple 1" BSP	1	72	322057	O-ring ORI-114	2
16	256982	Hose 1/2" x 700	1	73	573634	Double seal	3
17	140442	500-liter tank	1	74	623884	Flat washer 105 x 210 x 20	4
18	084004	50-liter tank	1	75	427013	Nut ABTN - 1020 thread M12 x 1,50	1
19	084038	Shaft 153.5	1	76	364166	Hex. head bolt M12 x 80 x 1,50	1
20	084087	Pump JP-50 with coupling	1	77	618397	Semiclamp 25 x 87	2
21	429043	Fitting 3/4" x 22.6	1	78	324764	Float ø 14	1
22	344499	Hose ø 1/2" x 670	1	79	762856	Cover ø 130	1
23	086439	Hex. bolt M12 x 30 x 1.75	2	80	800714	Handgrip	1
24	086447	Quick fitting 1/2"	2	81	810697	Bolt M6 x 1 x 20	3
25	243154	Hose ø 1/2" x 2600	1	82	521666	Lock washer M6	2
26	011668	O-ring OR1-122	1	83	231845	O-ring OR1-110	2
27	088104	Chemical container rinse nozzle kit no. 05	1	84	757559	Hex. bolt M10 x 30 x 1.25	4
28	810770	Hex. nut M-8 x 1.25	8	85	181107	Hose ø 3/4 x 1020	1
29	913061	Cotter pin 2.38 x 15.9	2	86	840934	Cord guide	2
30	090464	Rope 1	1	87	840959	Pull	2
31	090472	Rope 2	1	88	840967	Cord lock	2
32	221721	Male fitting 3/4" - 14 BSP	1	89	841007	Metal insert	1
33	093344	Nut parlock M6 x 1.00	1	90	841056	Transfer valve	2
34	107664	Clamp D14-22 - stainless steel	12	91	693382	Hydraulic agitator no. 10	1
35	117416	PTO shaft 400	1	92	688317	Tee fitting 3/4" x 1/2"	1
36	118224	Cross shield	1	93	140277	O-ring ORI-222	1
37	404459	Hose fitting 1" x 1" BSP	1	94	330969	Clamp D25-38 - stainless steel	2
38	208777	Hose fitting 1" x 33	1	95	012724	O-ring ORI-119	1
39	209163	Lock washer M12	3	96	728931	Bolt M8 x 60 x 1.25	4
40	209395	Lock washer M10	6	97	088427	Labyrinth	1
41	356519	Plug 3/4" - 14 BSP	1	98	074765	Hose MPB-16 - 1" x 850	1
42	810689	Hex. nut M6 x 1.00	2	99	599530	Hose fitting 1" x 160°	1
43	233965	Spray tank lid	1	100	181446	Fxed support	1
44	169375	Hose ø 1/2" x 2900	1	101	457291	Support	2
45	209205	Hex. nut M10 x 1,50	2	102	694166	Rotating base	1
46	155473	Seal washer 1" x 10.5	2	103	166801	Hex. nut M39 x 3.0	1
47	325845	Extension for hose ø 1"	1	104	109678	Flat washer 105 x 254 x 12.4	2
48	097980	Hose ø 3/4" x 1360	1	105	907030	Hex. nut M10 x 1.25	4
49	599621	Control with pressure regulator relief valve	1	106	829382	Hex head bolt M8 x 25 x 1.25	4
50	910117	Lock washer ø 1/4"	3	107	511733	Round nut 1" BSP (40-45)	2
51	086405	Bolt M10 x 20 x 1.5	2	108	019547	Elbow ø 1/2" x 90°	2
52	404434	Hose fitting	1	109	221556	Hose 1" x 620	1
53	088419	Labyrinth lock	1	110	217448	Hose Ø 1/2" x 800	1
54	413468	Flat washer 68 x 190 x 12	4	111	149484	Hose 3/4" x 380	1
55	902817	Male/female elbow 1" BSP x 90 degrees	1	112	323584	Hose tie	3
56	444091	Screw M5 x 35	2	113	061762	Fitting ø 3/4"	1
				114	731497	Nut 1.1/4" - 11 BSP	1
				115	005884	Nut 1.1/4" BSP	1
				116	015438	Hose fitting ø 1" with nut	1

**CHEMICAL CIRCUIT**

Continuation

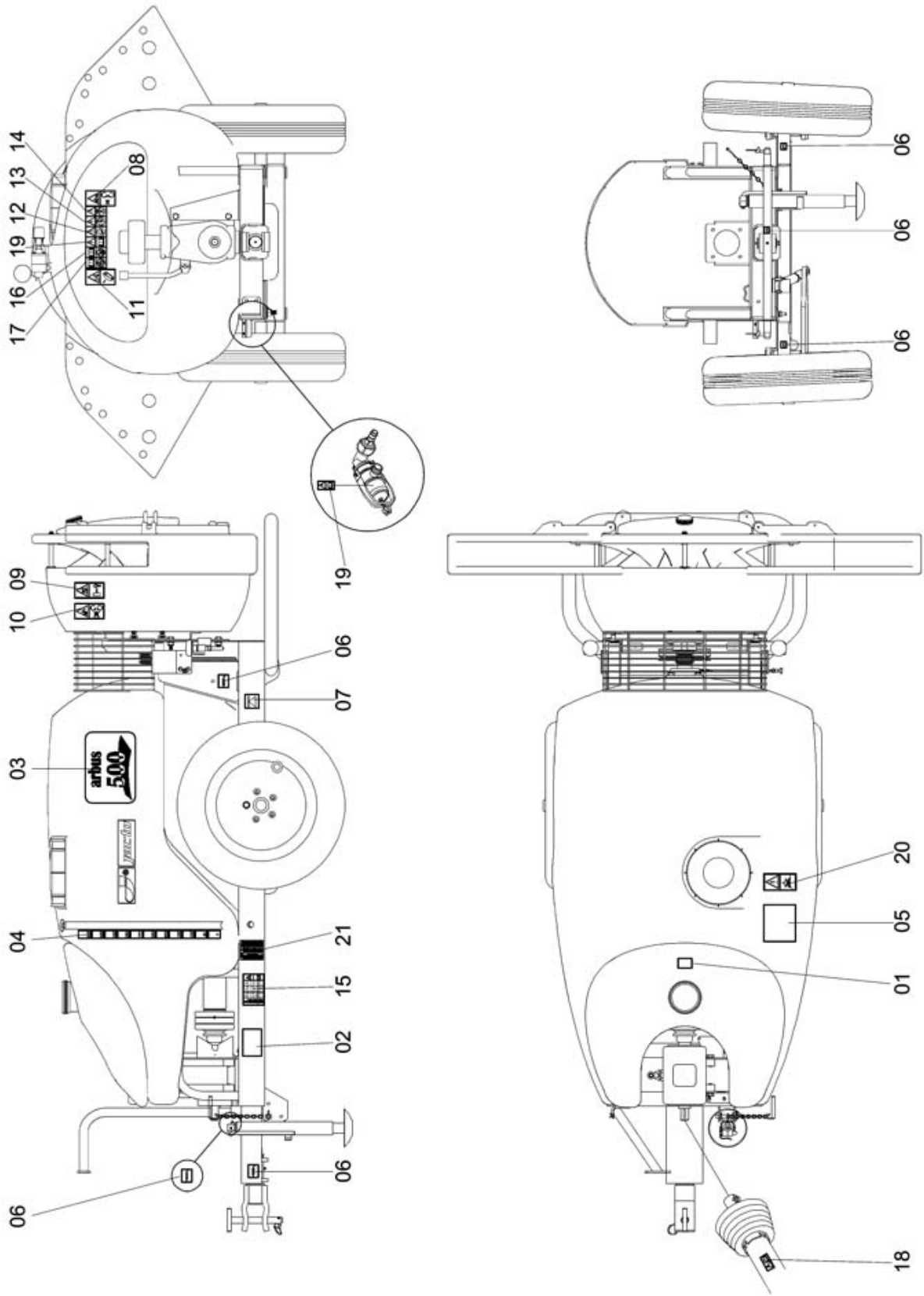
Item	CODE	DESCRIPTION	Qty.
00	084111	Driven transmission and complements	1

## DRIVEN TRANSMISSION AND COMPLEMENTS

Continuation

Item	CODE	DESCRIPTION	Qty.	Item	CODE	DESCRIPTION	Qty.
01	083584	Transmission support frame	1				
02	083774	Fan 550/9	1				
03	084103	Bearing block no. 22	1				
04	209163	Lock washer M12	4				
05	908566	Lock washer ø 3/8"	4				
06	015305	Square key 5/16" x 30	2				
07	326280	Nut ø 1/2" UNC	2				
08	941948	Tightening screw ø 1/2" - 13 UNC	2				
09	910166	Snap ring for shaft	1				
10	937722	Hex. nut M-12 x 1.75	4				
11	652594	Hex. nut M-22 x 1.5	1				
12	818112	Flat washer 130 x 240 x 30	6				
13	810705	Bolt M-8 x 30 x 1,25	1				
14	086439	Hex. bolt M12 x 30 x 1.75	4				
15	881318	Flat washer 235 x 500 x 31	1				
16	912717	Bolt 3/8" x 16 UNC x 1.3/4"	4				
17	917526	Lock washer ø 7/8"	1				
18	083436	Pulley 70-3-3V	1				
19	083444	Shaft 221	1				
20	202549	Fixed bearing	1				
21	203737	Fixed bearing	1				
22	209569	Snap ring for shaft ø 50	1				
23	507665	Flat washer 82 x 506 x 30	1				
24	519736	Lock washer M8	1				
25	734376	Engine bearing block body	1				

ARBUS-500 DECALS LAY OUT



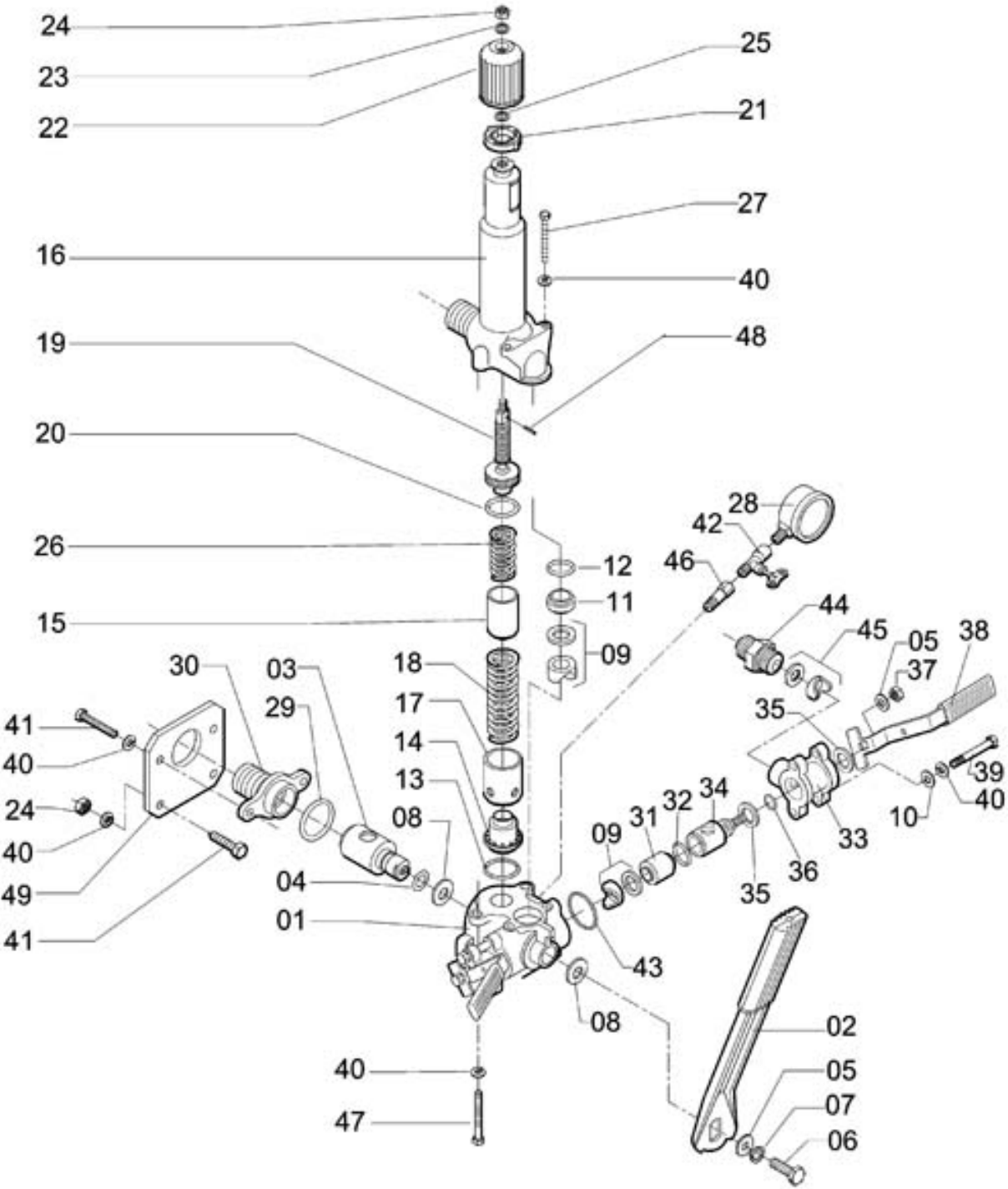
ADS-8

**ARBUS-500 DECALS LAY OUT**

Continuation

Item	CODE	DESCRIPTION	Qty.	Item	CODE	DESCRIPTION	Qty.
00	595637	ARBUS-500 decals lay out	1				
01	013169	Sticker: "OK- FINAL TEST"	1				
02	047035	Sticker: "Table - (Identification Plate)"	1				
03	088344	Sticker: "Arbus 500"	2				
04	090233	Sticker: "500-liter calibration"	1				
05	169128	Sticker: "Chemical container rinse nozzle"	1				
06	276220	Sticker: "Lubrication Point Indication"	6				
07	276238	Sticker: "Jack Positioning Indication"	2				
08	379008	Sticker: "Danger - PTO Shaft"	1				
09	379040	Sticker: "Attention - Keep at a Distance"	1				
10	379057	Sticker: "Keep at a Distance - Fan"	1				
11	379065	Sticker: "Keep all shields in place"	1				
12	379115	Sticker: "Obligatory Use of Respirator"	1				
13	379123	Sticker: "Obligatory Use of Hearing Protection"	1				
14	379131	Sticker: "Obligatory Use of Protective Clothing"	1				
15	379164	Sticker: "Nut Torque"	2				
16	379214	Sticker: "Maximum Speed 30 KM/H"	1				
17	379222	Sticker: "This Machine Is Not Allowed In Highways"	1				
18	379230	Sticker: "Read Operator's Manual - Horizontal"	1				
19	379248	Sticker: "Read Operator's Manual - Vertical"	2				
20	380014	Sticker: "Attention: Do Not Get Into The Tank"	1				
21	391631	Sticker: "Tire Pressure Indication"	2				

CONTROL WITH PRESSURE REGULATOR RELIEF VALVE



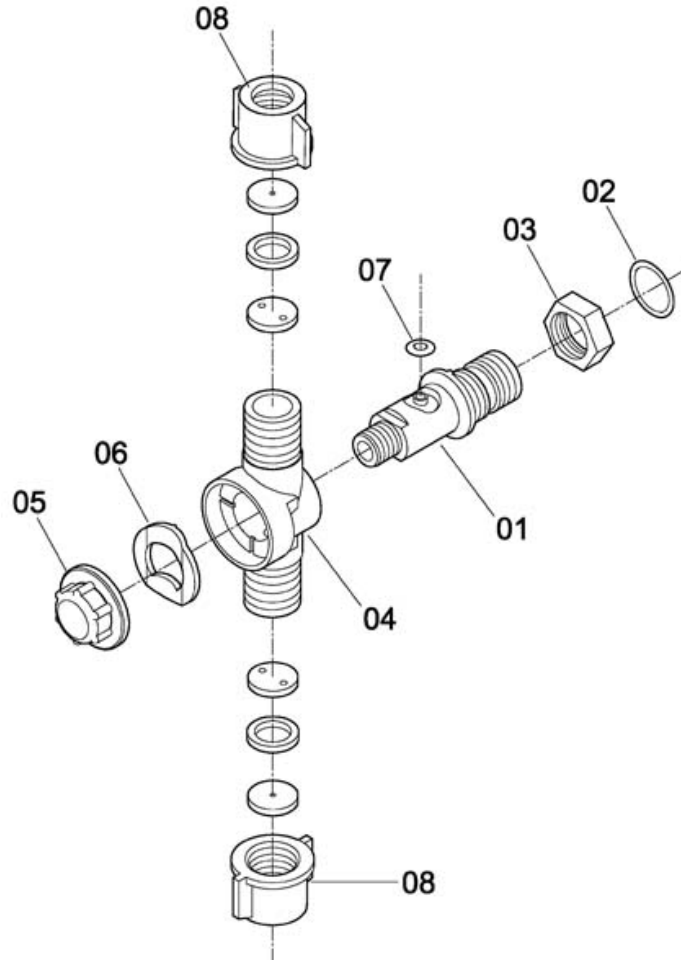
CV-211

**CONTROL WITH PRESSURE REGULATOR RELIEF VALVE**

Continuation

Item	CODE	DESCRIPTION	Qty.	Item	CODE	DESCRIPTION	Qty.
00	599621	Control with pressure regulator relief valve	1				
01	935999	Valve body	1				
02	010587	Lever	1				
03	717835	Core	1				
04	706796	O-ring OR1-114	1				
05	623884	Flat washer 105 x 210 x 20	2				
06	917682	Bolt 3/8" - 16 UNC x 1/2"	1				
07	908566	Lock washer ø 3/8"	1				
08	010645	Core seat washer	2				
09	110593	Seat and packing ring	3				
10	431486	Spacer	2				
11	010793	Packing seat spacer 29 x 12.5	2				
12	012724	O-ring ORI-119	1				
13	011593	O-ring OR1-219	1				
14	010710	Valve seat	1				
15	616144	Spring spacer	1				
16	616102	Cylinder	1				
17	010728	Valve with insert	1				
18	622712	Compression spring ø 25 x 90	1				
19	117960	Adj. screw 1/2" UNF (w/ spring seat)	1				
20	011601	O-ring ORI-213	1				
21	011031	Lock	1				
22	010629	Knob	1				
23	013433	Flat washer	1				
24	912758	Hex. nut 5/16" - 18 UNC	3				
25	624130	Flat washer 100 x 180 x 12	1				
26	616151	Spring ø 18 x 34	1				
27	910083	Bolt 5/16" x 18 UNC x 1.3/4"	2				
28	551945	Pressure gauge (0 to 40 kgf/cm <sup>2</sup> ) (glycerin-filled)	1				
29	106948	O-ring OR1-130	1				
30	010777	Flanged fitting 1" BSP	1				
31	010801	Spacer ø 29 x 19.4	2				
32	011668	O-ring OR1-122	2				
33	357947	Valve body	2				
34	357954	Core ø 26	2				
35	010769	Core seat washer ø 24	4				
36	011676	O-ring OR1-111	2				
37	810770	Hex. nut M-8 x 1.25	2				
38	357962	Lever	2				
39	729038	Bolt 5/16" x 2.3/4"	2				
40	519736	Lock washer M8	12				
41	836502	Screw 5/16" - 18 UNC x 1"	2				
42	507319	Needle valve for pressure gauge	1				
43	010827	Packing ring ø 29 x 22 x 3	3				
44	566802	Nipple ø 3/4" x 3/4" - BSP	2				
45	110601	Seat and packing ring	2				
46	014423	Pressure gauge extension	1				
47	627992	Hex. head bolt 5/16" - 18 UNC x 2.1/2	4				
48	917369	Flexible pin (heavy) 3 x 22	1				
49	107441	Support	1				

## DOUBLE NOZZLE HOLDER LL ASSEMBLY

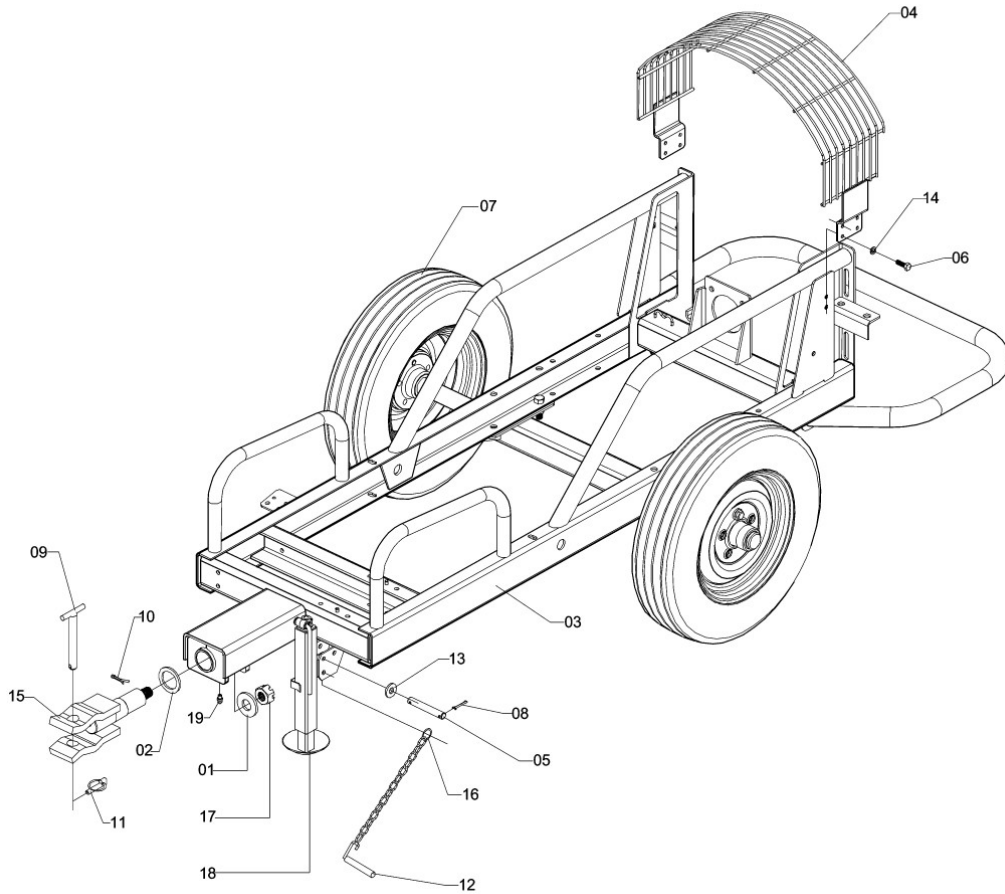


BC-19

Item	CODE	DESCRIPTION	Qty.	Item	CODE	DESCRIPTION	Qty.
00	645887	Double nozzle holder ll assembly	1				
01	645838	Nozzle holder core	1				
02	120071	O-ring ORI - 015	1				
03	645853	Hex. nut 3/8" -19 BSP	1				
04	645895	Double nozzle holder body	1				
05	645879	Retainer washer	1				
06	645861	Flat spring	1				
07	340851	O-ring OR2 - 201	1				
08	710590	Nozzle cap	2				



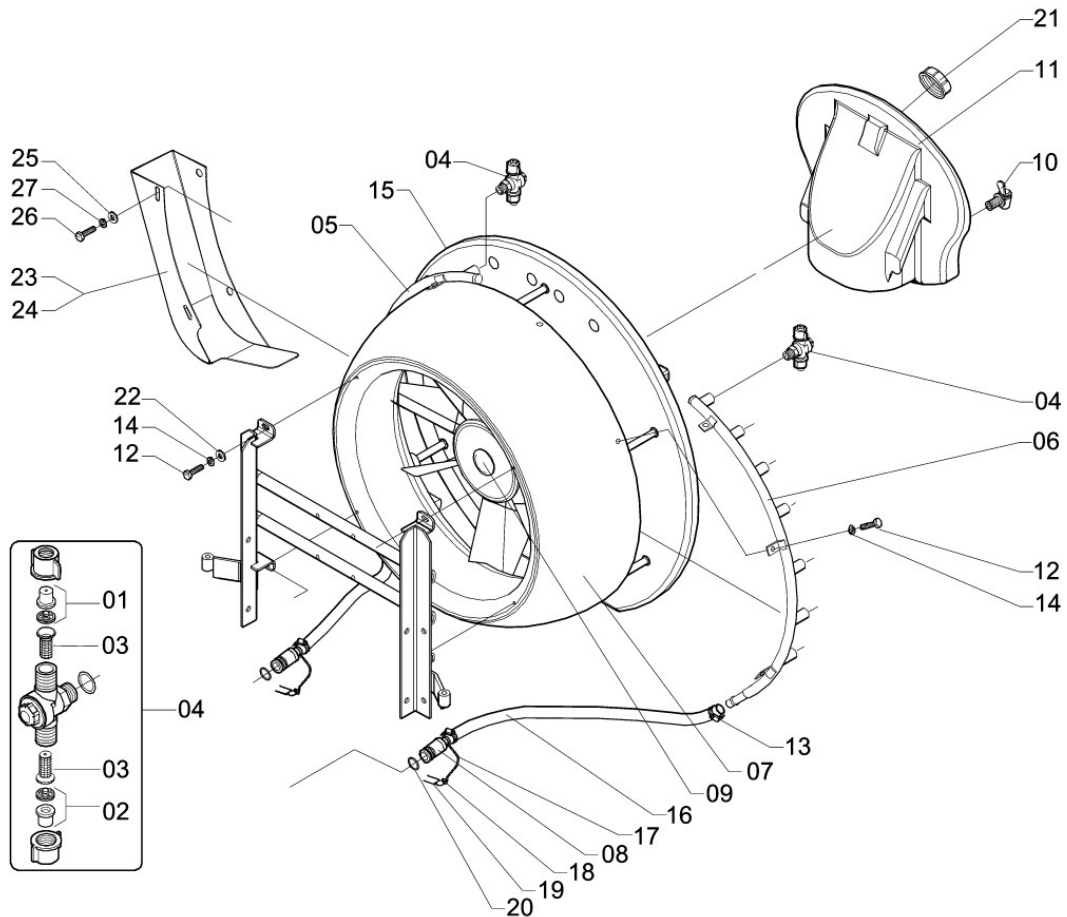
# TRAILER ASSEMBLY



C-148

Item	CODE	DESCRIPTION	Qty.	Item	CODE	DESCRIPTION	Qty.
00	680140	Trailer assembly	1				
01	001982	Flat washer 300 x 650 x 63	1				
02	007567	Flat washer 500 x 700 x 47.5	1				
03	083501	Chassis	1				
04	083535	Guard screen	1				
05	939215	Pin 86	1				
06	829382	Hex head bolt M8 x 25 x 1.25	4				
07	181180	Adjustable axle no. 18	1				
08	910240	Cotter pin $\varnothing$ 3.18 x 25.4	2				
09	824003	Tee pin	1				
10	209783	Cotter pin $\varnothing$ 3/16" x 1.1/2"	1				
11	330407	Universal lock pin 5/16"	1				
12	405159	Jack lock	1				
13	315002	Flat washer 130 x 254 x 15	2				
14	519736	Lock washer M8	4				
15	620815	Trailer hitch	1				
16	622969	Double ring $\varnothing$ 22 x 26 x 3	1				
17	625160	Castle nut 1.1/8" - 7 UNC	1				
18	590307	Jack no. 13	1				
19	910463	Grease nipple 1/4" - 28 UNF	1				

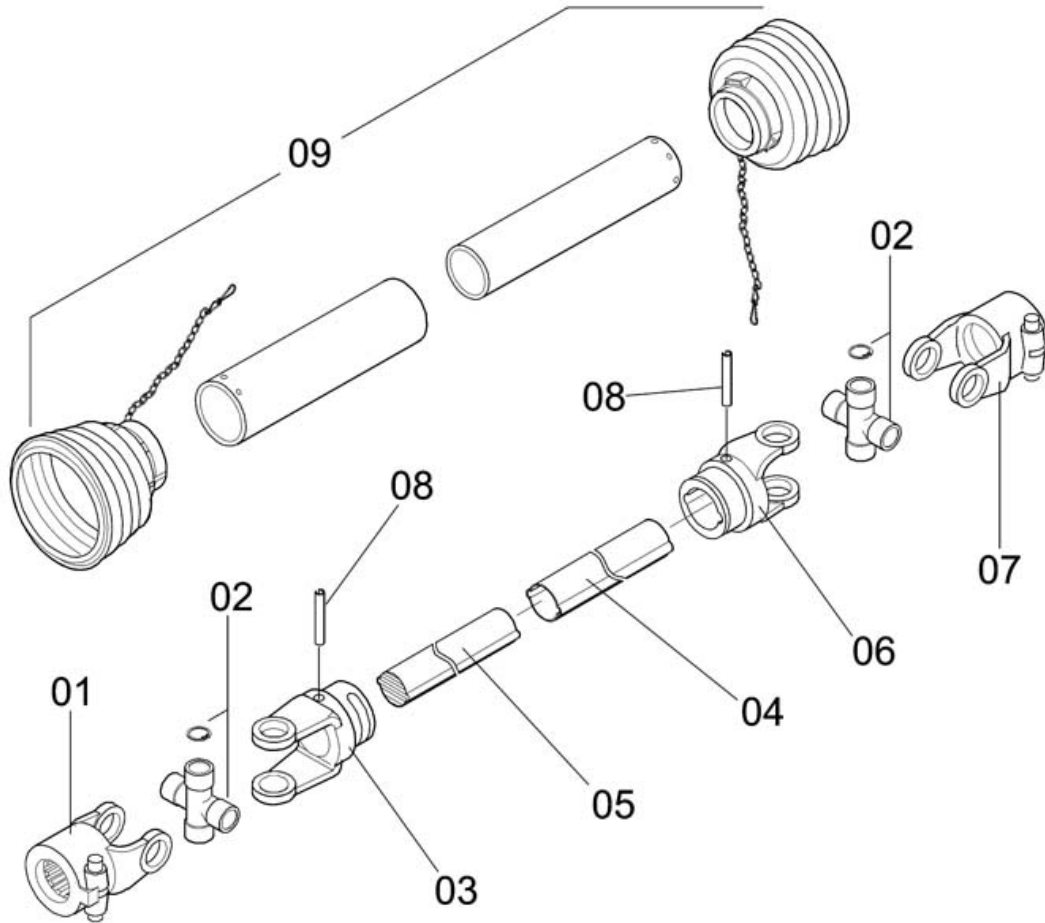
## APPLICATION ASSEMBLY



**CA-163**

Item	CODE	DESCRIPTION	Qty.	Item	CODE	DESCRIPTION	Qty.
00	143164	Application assembly	1	26	033696	Hex. head bolt M8 x 12 x 1.25	4
01	000026	Cone nozzle JA-2 (black)	16	27	519736	Lock washer M8	4
02	454272	Cone nozzle JA-4 (red)	16				
03	439083	Nozzle filter (50 mesh)	32				
04	645887	Double nozzle holder II assembly	16				
05	086249	Right nozzle branch	1				
06	086256	Left nozzle branch	1				
07	086454	Deflector 500	1				
08	636407	Spray gun quick fitting 1/2"	2				
09	018895	Plastic plug ø 52.3	1				
10	044180	Plastic tap 23 x 3/8" BSP	1				
11	084012	15-liter tank	1				
12	086405	Bolt M10 x 20 x 1.5	10				
13	107664	Clamp D14-22 - stainless steel	8				
14	209395	Lock washer M10	10				
15	097360	Reflector	2				
16	265538	Hose ø1/2" x 400	2				
17	437822	Chain 120 mm	2				
18	622969	Double ring ø 22 x 26 x 3	4				
19	636399	Quick fitting clamp	2				
20	440982	O-ring OR1-117	2				
21	900761	Drain cap ø 67	1				
22	973313	Flat washer 105 x 210 x 20	4				
23	166454	Right deflector	1				
24	166462	Left deflector	1				
25	733253	Flat washer 82 x 254 x 15	4				

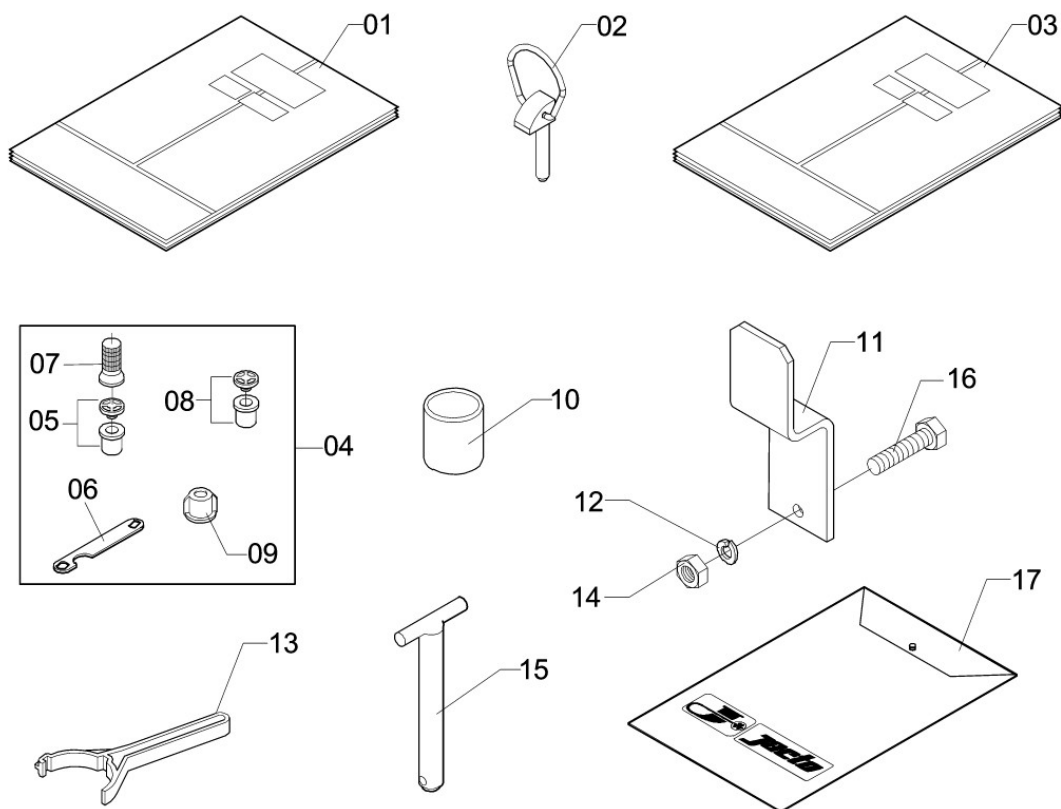
PTO SHAFT 400



CN-10

Item	CODE	DESCRIPTION	Qty.	Item	CODE	DESCRIPTION	Qty.
00	117416	PTO shaft 400	1				
01	227298	Coupling end (tractor end)	1				
02	130344	Cross assembly with lock	2				
03	227322	Male tube coupling end	1				
04	227330	Female tube	1				
05	227348	Male tube	1				
06	227314	Female tube coupling end	1				
07	227306	Coupling end (sprayer end)	1				
08	227355	Flexible pin	2				
09	227363	PTO shaft shield assembly (plastic)	1				

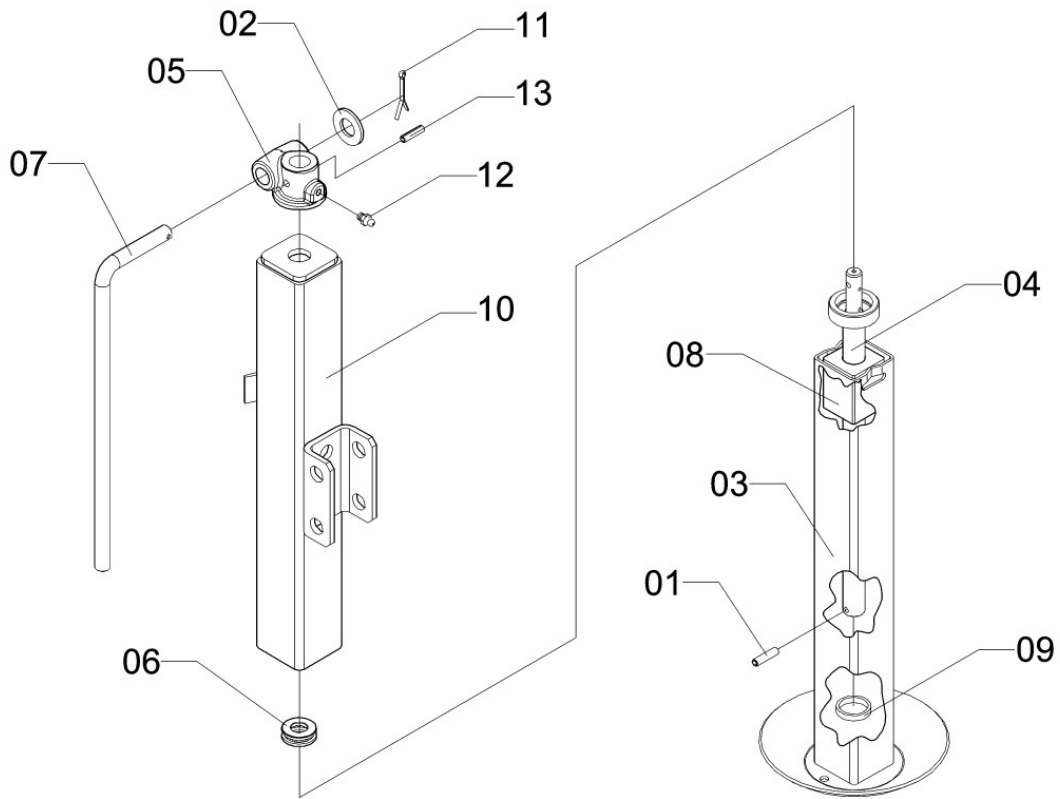
## ACCESSORIES BOX



CXA-249

Item	CODE	DESCRIPTION	Qty.	Item	CODE	DESCRIPTION	Qty.
00	680124	Accessories box	1				
01	158576	Operator's manual-Chemical container rinse nozzle	1				
02	330407	Universal lock pin 5/16"	2				
03	382937	Operator's manual - Arbus 500 (Spanish)	1				
04	387951	Nozzles JA-2 JA-4	1				
05	000026	Cone nozzle JA-2 (black)	16				
06	436493	Flat fan nozzle aligner	1				
07	439083	Nozzle filter (50 mesh)	32				
08	454272	Cone nozzle JA-4 (red)	16				
09	710590	Nozzle cap	32				
10	400325	Lower coupling pin sleeve	2				
11	431718	Operating holder	1				
12	519736	Lock washer M8	2				
13	703694	Key 40-45	1				
14	810770	Hex. nut M8 x 1.25	2				
15	824003	Tee pin	1				
16	829382	Hex head bolt M8 x 25 x 1.25	2				
17	867127	Plastic folder	1				

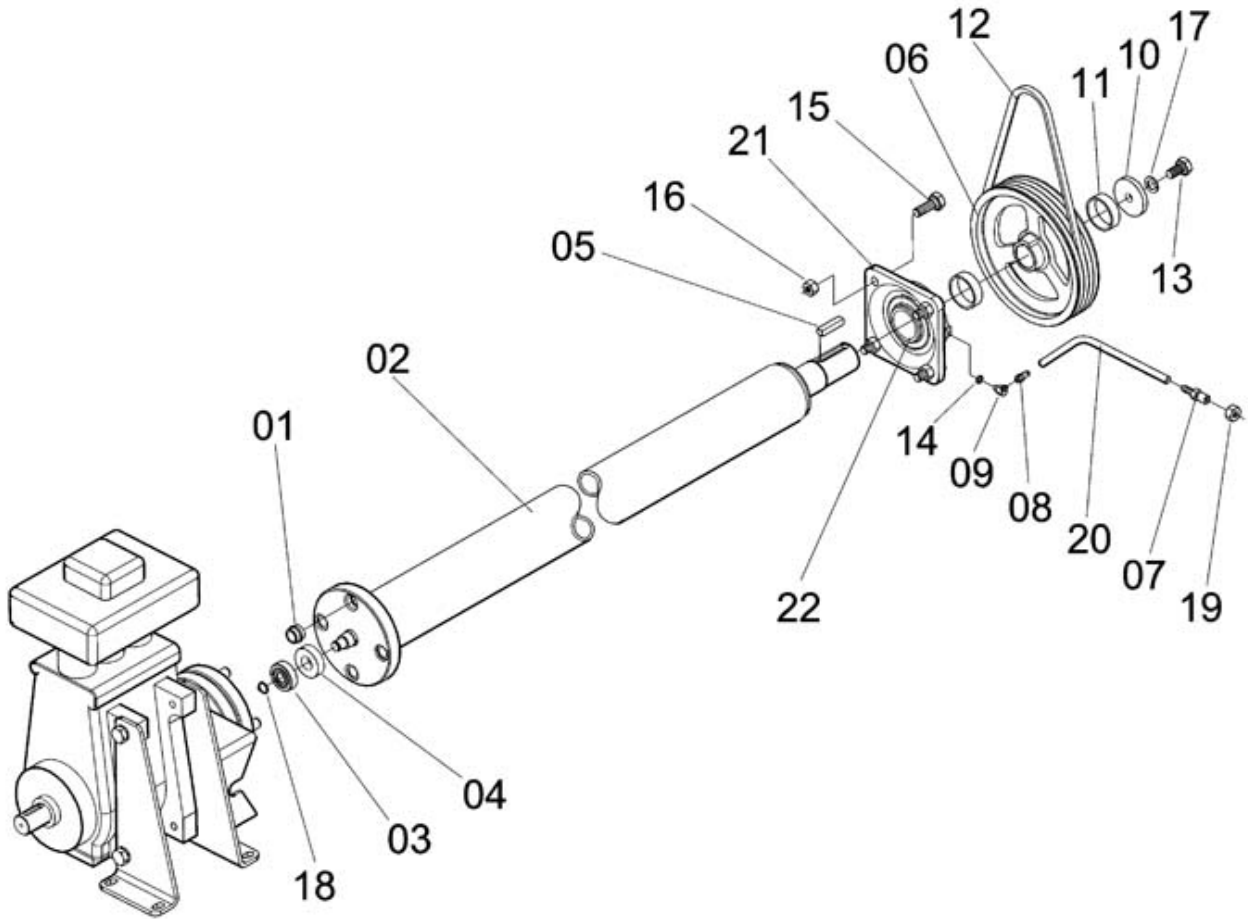
**JACK NO. 13**



**MC-12**

Item	CODE	DESCRIPTION	Qty.	Item	CODE	DESCRIPTION	Qty.
00	590307	Jack no. 13	1				
01	103978	Flexible pin 6 x 24	1				
02	315002	Flart washer 130 x 254 x 15	1				
03	329995	Hinge slide bar	1				
04	330019	Screw $\varnothing$ 7/8" - 9 UNC x 360	1				
05	330043	Bolt head	1				
06	330084	Bearing	1				
07	331314	Jack handle	1				
08	426544	Square nut	1				
09	429803	Seat ring	1				
10	590315	Jack body	1				
11	910240	Cotter pin $\varnothing$ 3.18 x 25.4	1				
12	910463	Grease nipple 1/4" - 28 UNF	1				
13	910802	Flexible pin $\varnothing$ 6 x 28	1				

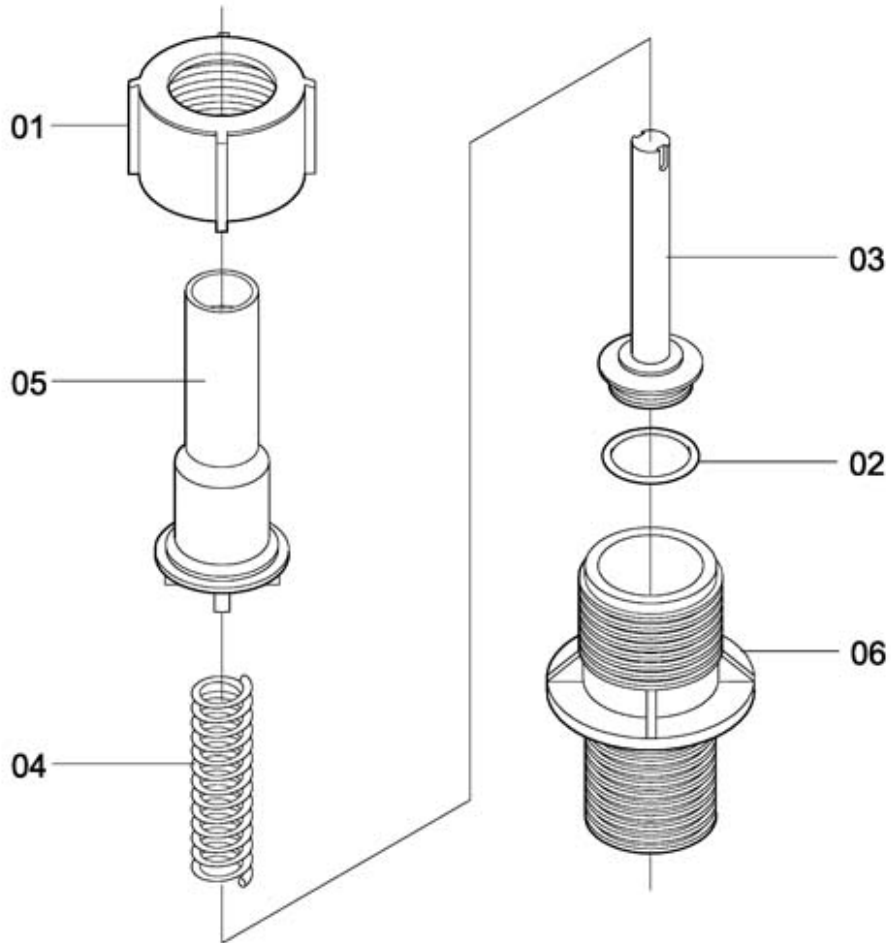
## DRIVE TRANSMISSION AND COMPLEMENTS



TMT-43

Item	CODE	DESCRIPTION	Qty.	Item	CODE	DESCRIPTION	Qty.
00	166488	Drive transmission and complements	1				
01	083428	Coupling bushing	4				
02	083527	Transmission shaft	1				
03	083626	Self-compensating bearing	1				
04	083642	Gasket	1				
05	108936	Square key 3/8" x 35	1				
06	166876	Pulley 260 - 4 - 3 V	1				
07	426189	Grease nipple fitting	1				
08	426205	Male fitting for hose ø 1/4"	1				
09	429555	Grease nipple 1/8" BSP 45	1				
10	703595	Flat washer 133 x 580 x 80	1				
11	728576	Spacer 15	2				
12	749291	Trapeze belt	4				
13	820704	Hex. bolt ø 1/2" - 20 UNF x 1"	1				
14	822650	Ring ø 9.8 x ø 12.7 x 2.0	1				
15	829432	Bolt M12 x 35 x 1.75	4				
16	829465	Hex. nut Dodi-loc M12 x 1.75	4				
17	908582	Lock washer 1/2"	1				
18	910851	Snap ring for shaft 15	1				
19	916627	Nut 7/16" - 14 UNC	1				
20	944181	Hose 1/4" x 260	1				
21	969436	Flange-type bearing II	1				
22	970798	Self-compensating bearing	1				

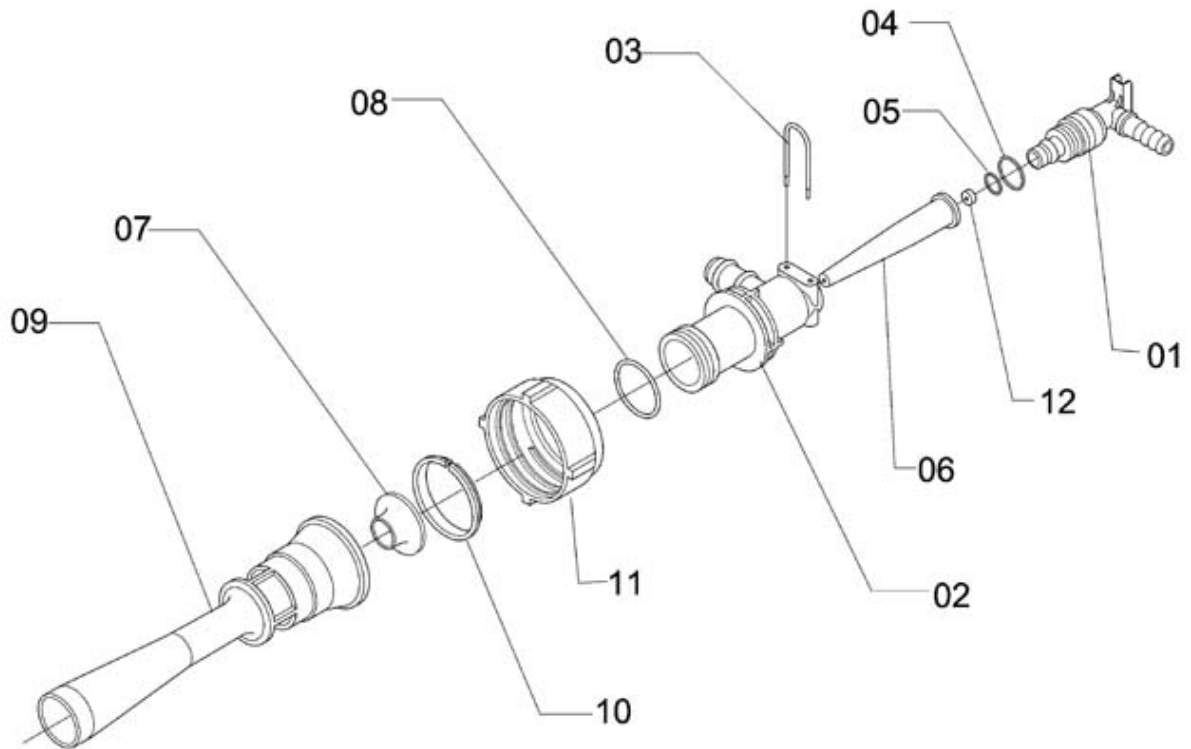
# TRANSFER VALVE



**CV-70**

Item	CODE	DESCRIPTION	Qty.	Item	CODE	DESCRIPTION	Qty.
00	841056	Transfer valve	1				
01	005884	Nut 1.1/4" BSP	1				
02	210146	O-ring OR1-117	1				
03	840975	Spring guide	1				
04	840983	Compression spring	1				
05	840991	Valve body	1				
06	841049	Valve base	1				

## HYDRAULIC AGITATOR NO. 10

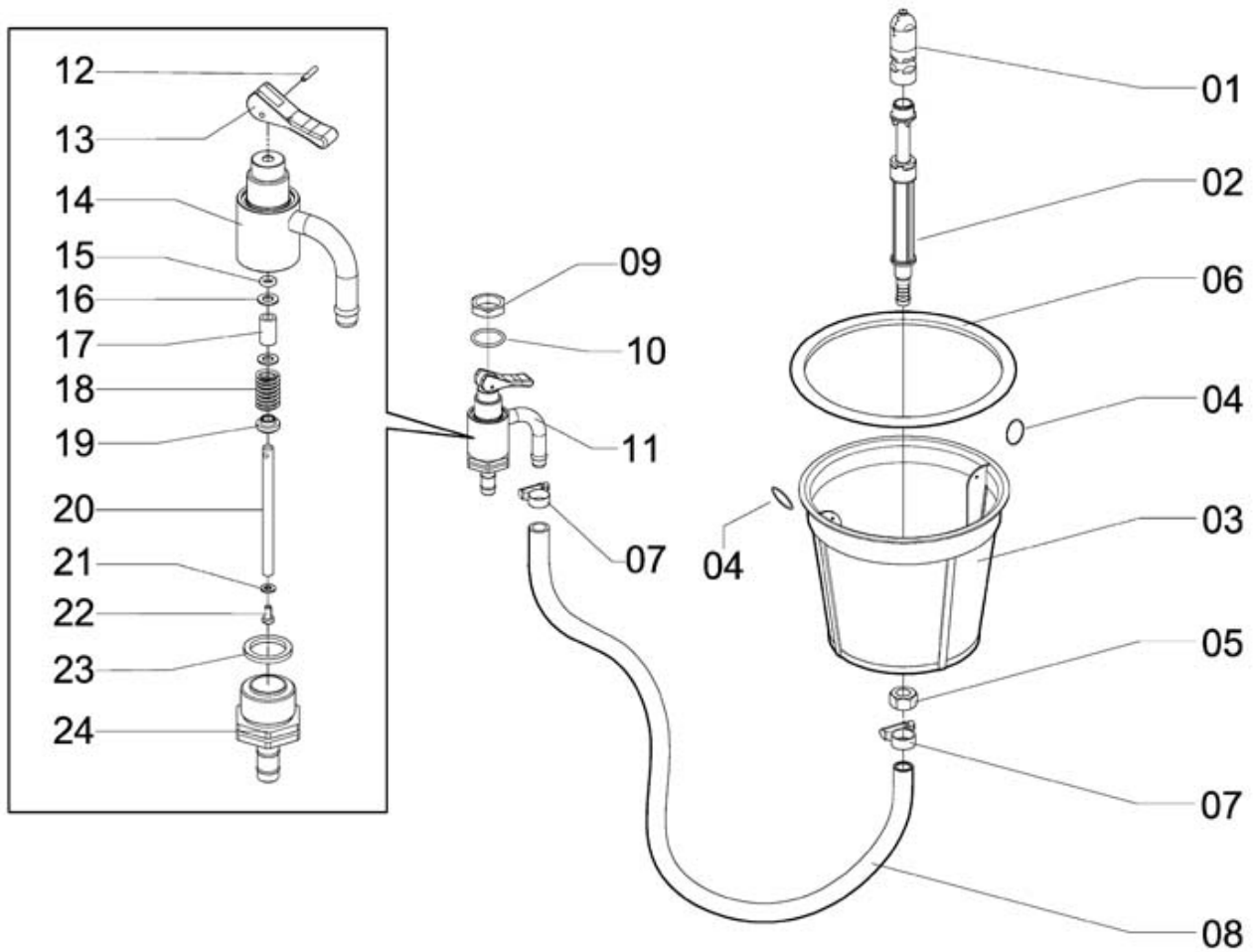


MM-22

Item	CODE	DESCRIPTION	Qty.	Item	CODE	DESCRIPTION	Qty.
00	693382	Hydraulic agitator no. 10	1				
01	764365	Agitator elbow 1/2"	1				
02	764373	Agitator body	1				
03	348789	Lock 22	1				
04	832857	O-ring OR1-115	1				
05	909234	O-ring OR1-013	1				
06	764357	Disc holder	1				
07	088609	Full flow cell - 50 liters	1				
08	106948	O-ring OR1-130	1				
09	764381	Agitator venturi	1				
10	005918	Locking ring	1				
11	005900	Coupling nut	1				
12	846618	Agitator disc - $\varnothing$ 1.80 opening	1				



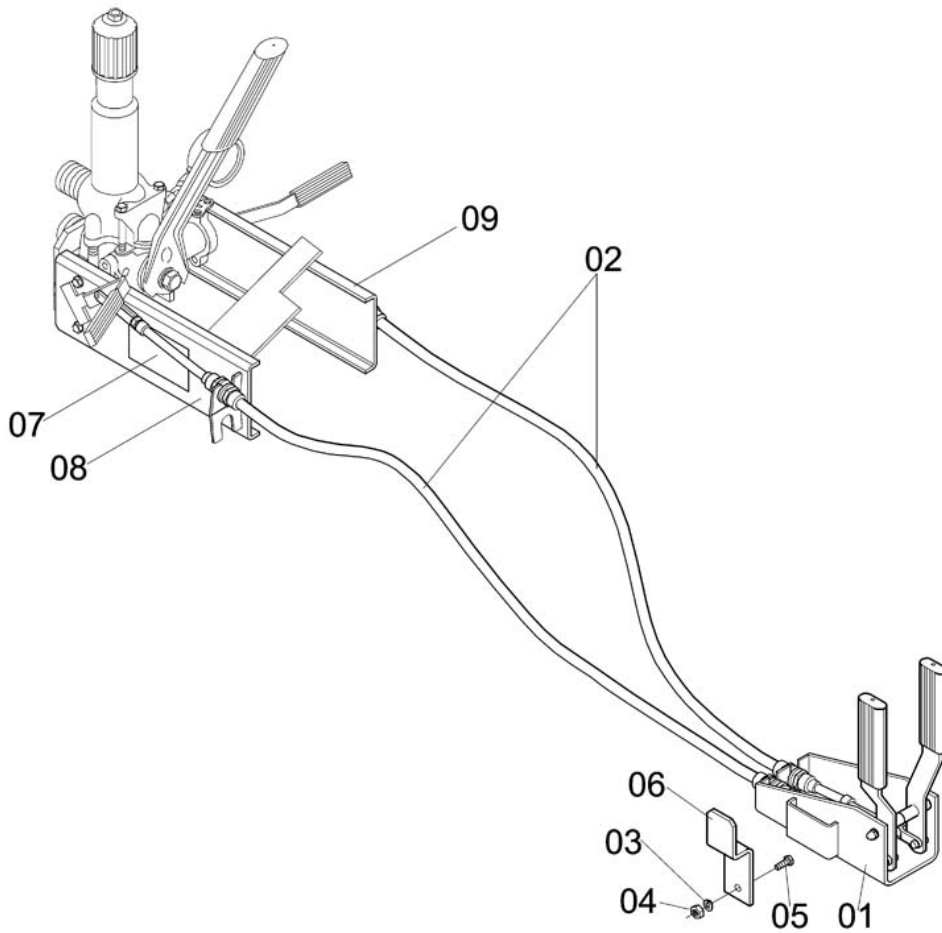
**CHEMICAL CONTAINER RINSE NOZZLE KIT NO. 05**



**KIT-35**

Item	CODE	DESCRIPTION	Qty.	Item	CODE	DESCRIPTION	Qty.
00	088104	Chemical container rinse nozzle kit no. 05	1				
01	071944	Rinse nozzle	1				
02	088237	Chemical container rinse nozzle rod	1				
03	061788	Strainer 190-2T	1				
04	622969	Double ring ø 22 x 26 x 3	2				
05	938498	Hex. nut M16 x 2.00	1				
06	516393	Strainer packing ring	1				
07	107664	Clamp D14-22 - stainless steel	2				
08	919998318		m				
09	615401	Hex. nut 1" - 12 UNF	1				
10	998450	O-ring ORI-121	1				
11	139881	Chemical container rinse nozzle valve	1				
12	049858	Lever pin	1				
13	054445	Rinse nozzle lever	1				
14	139873	Valve body	1				
15	050237	O-ring OR2-108	1				
16	050195	Flat washer 64 x 125 x 95 stainless steel	2				
17	139907	Bushing 10 x 17	1				
18	044057	Compression spring 12.7	1				
19	048199	Seal	1				
20	139899	Spring guide pin	1				
21	050187	Flat washer 43 x 90 x 8	1				
22	050211	Screw M4 x 8	1				
23	010827	Packing ring ø 29 x 22 x 3	1				
24	212175	Fitting ø 1/2" x 1" BSP	1				

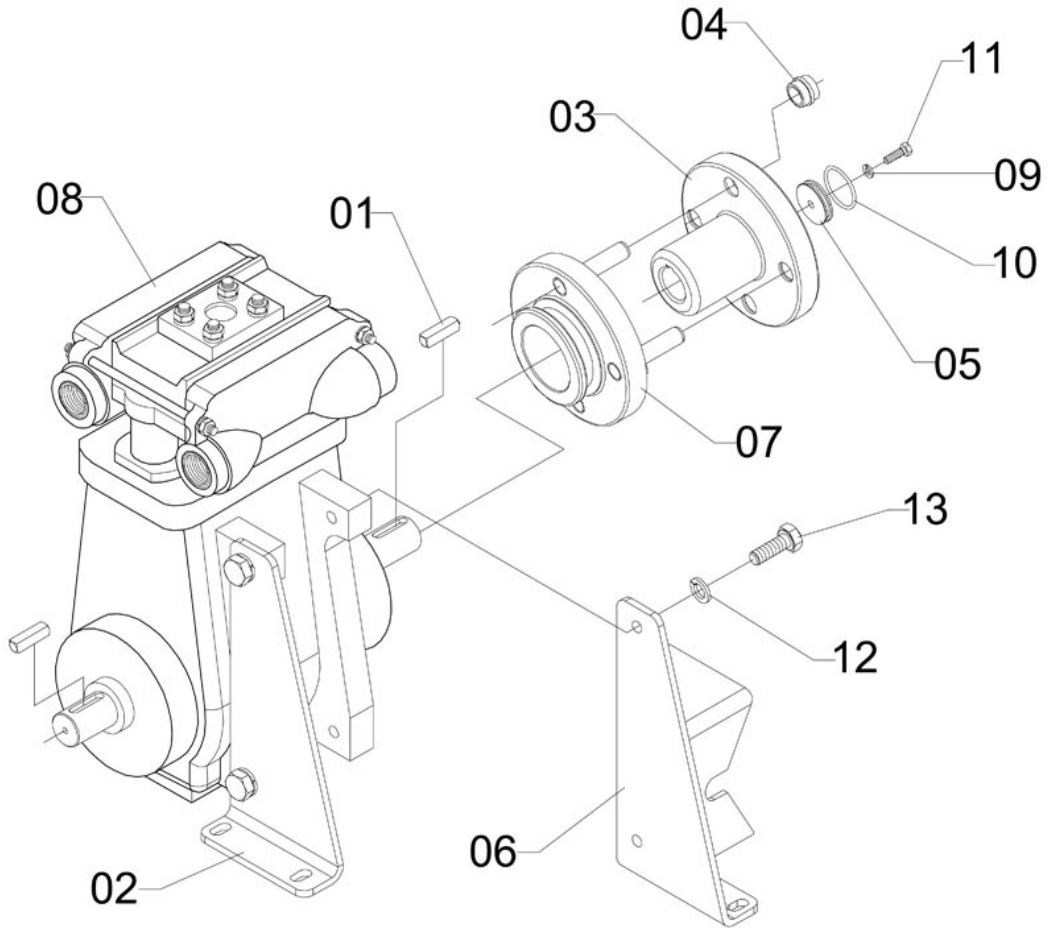
# CABLE ACTUATOR



CV-298

Item	CODE	DESCRIPTION	Qty.	Item	CODE	DESCRIPTION	Qty.
00	599639	Cable actuator	1				
01	431692	Spray control actuator	1				
02	554477	Flexible cable with coupling fork	2				
03	519736	Lock washer M8	2				
04	810770	Hex. nut M8 x 1.25	2				
05	829382	Hex head bolt M8 x 25 x 1.25	2				
06	431718	Operating holder	1				
07	979583	Sticker: "Control maintenance..."	1				
08	991752	Support	1				
09	358127	Support	1				

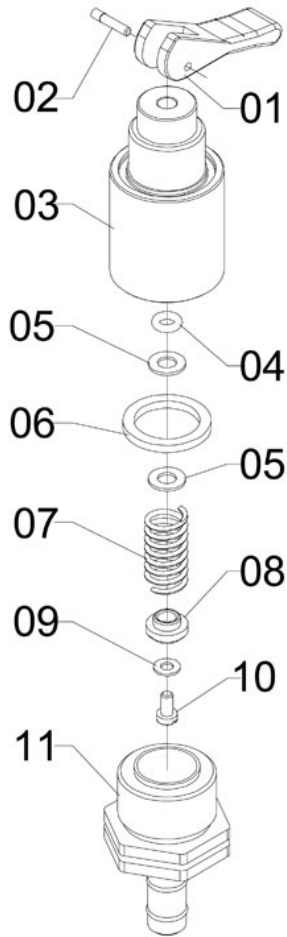
**PUMP JP-50 WITH COUPLING**



**B-36**

Item	CODE	DESCRIPTION	Qty.	Item	CODE	DESCRIPTION	Qty.
00	084087	Pump JP-50 with coupling	1				
01	015305	Square key 5/16" x 30	1				
02	082982	Pump base - left	1				
03	083402	Fixed flange	1				
04	083428	Coupling bushing	4				
05	083493	Seal washer	1				
06	083543	Pump base - right	1				
07	083725	Flange with pins	1				
08	085852	Pump JP-50V	1				
09	521666	Lock washer M6	1				
10	011668	O-ring OR1-122	1				
11	810697	Bolt M6 x 1 x 20	1				
12	908582	Lock washer 1/2"	4				
13	520205	Bolt 1/2" - 13 UNC x 1.1/4"	4				

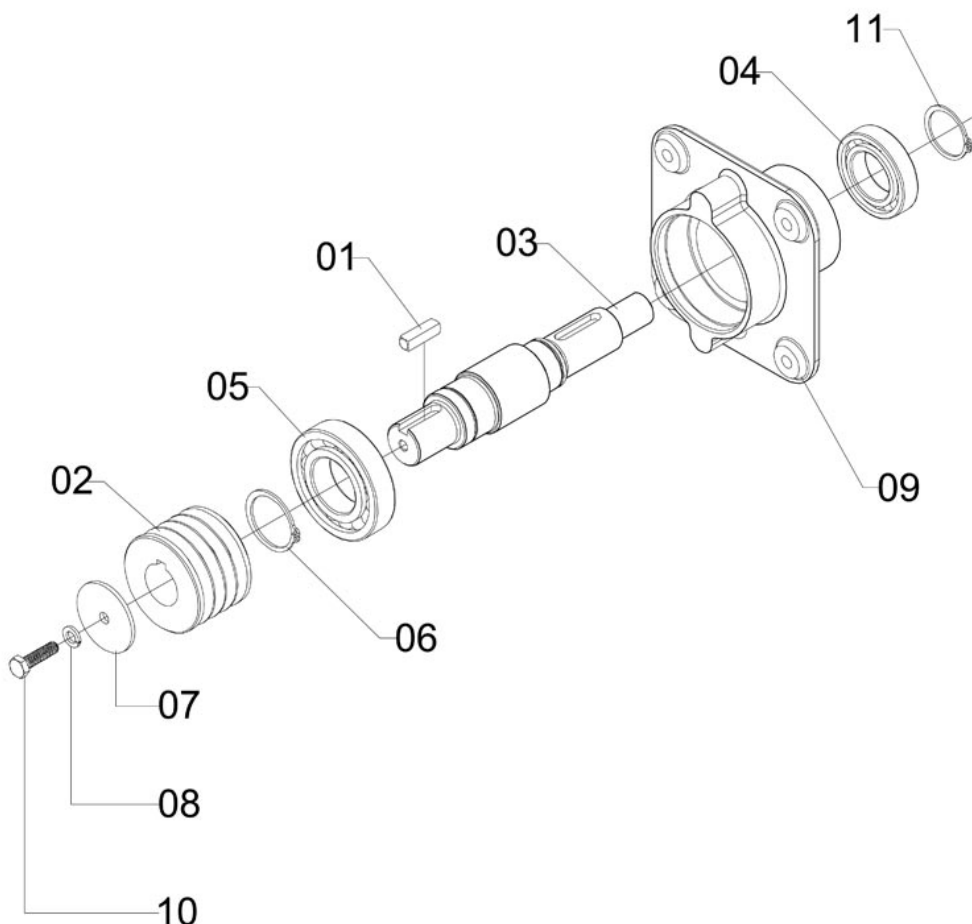
## CHEMICAL CONTAINER RINSE NOZZLE VALVE



KIT-91

Item	CODE	DESCRIPTION	Qty.	Item	CODE	DESCRIPTION	Qty.
00	139881	Chemical container rinse nozzle valve	1				
01	054445	Rinse nozzle lever	1				
02	049858	Lever pin	1				
03	139873	Valve body	1				
04	050237	O-ring OR2-108	1				
05	050195	Flat washer 64 x 125 x 95 - stainless steel	2				
06	010827	Packing ring $\varnothing$ 29 x 22 x 3	1				
07	044057	Compression spring 12.7	1				
08	048199	Seal	1				
09	050187	Flat washer 43 x 90 x 8	1				
10	050211	Screw M4 x 8	1				
11	212175	Fitting $\varnothing$ 1/2" x 1" BSP	1				

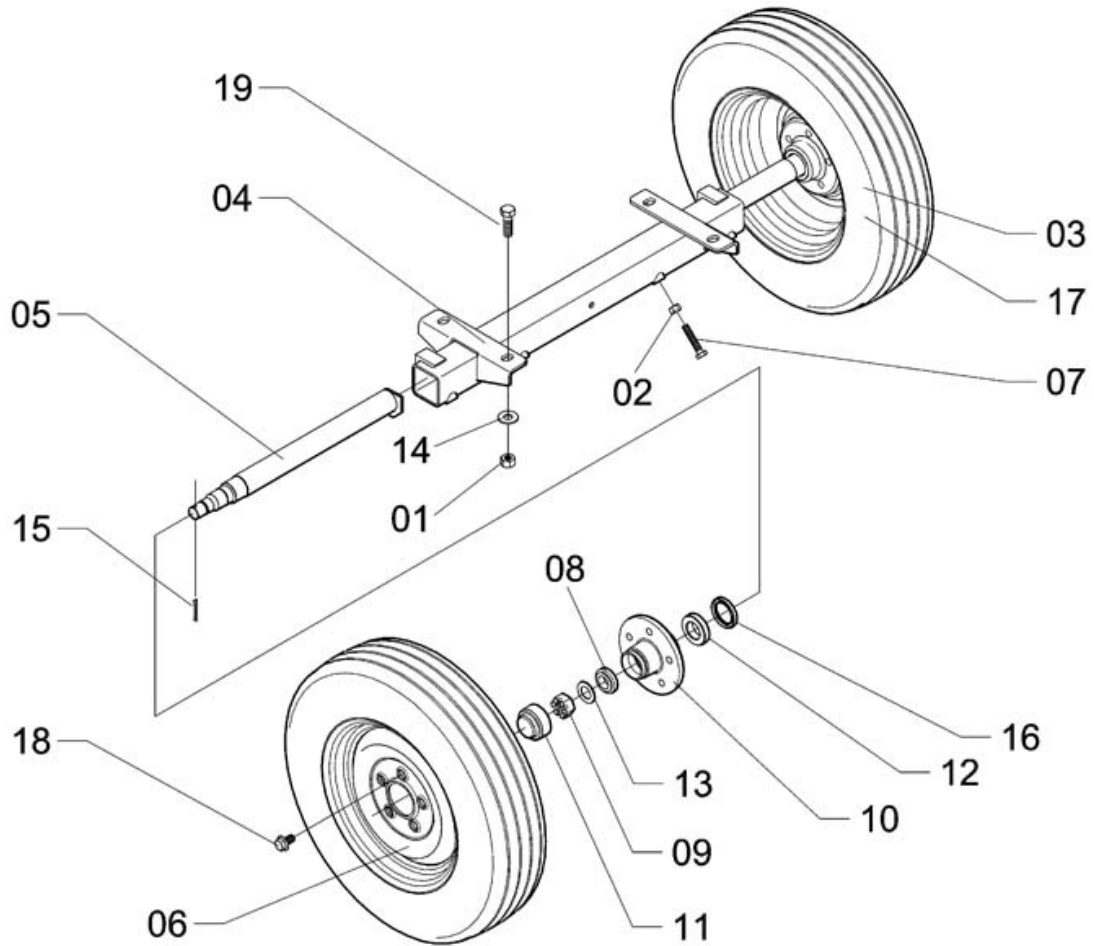
**BEARING BLOCK NO. 22**



**TMV-42**

Item	CODE	DESCRIPTION	Qty.	Item	CODE	DESCRIPTION	Qty.
00	084103	Bearing block no. 22	1				
01	015305	Square key 5/16" x 30	1				
02	083436	Pulley 70-3-3V	1				
03	083444	Shaft 221	1				
04	202549	Fixed bearing	1				
05	203737	Fixed bearing	1				
06	209569	Snap ring for shaft ø 50	1				
07	507665	Flat washer 82 x 506 x 30	1				
08	519736	Lock washer M8	1				
09	734376	Engine bearing body	1				
10	810705	Bolt M-8 x 30 x 1,25	1				
11	910166	Snap ring for shaft	1				

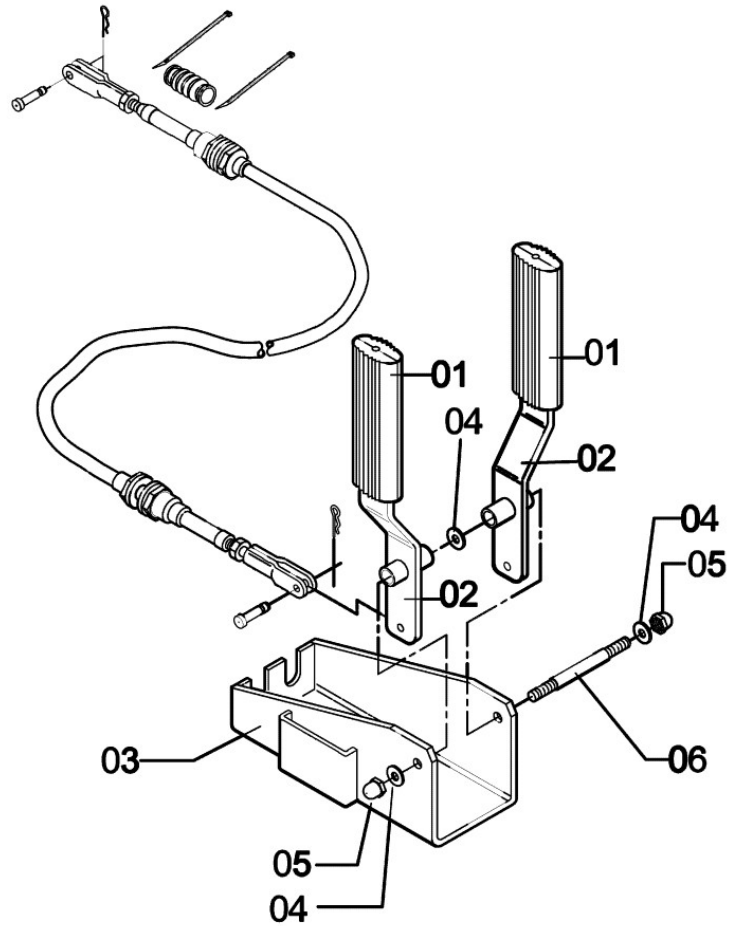
## ADJUSTABLE AXLE NO. 18



EX-44

Item	CODE	DESCRIPTION	Qty.	Item	CODE	DESCRIPTION	Qty.
00	181180	Adjustable axle no. 18	1				
01	044107	Parlock hex. nut M16 x 1.50	4				
02	168088	Hex. nut M12 x 1.25	4				
03	175331	Tire 175/70 R13 GPS2	2				
04	181198	Fixed central body	1				
05	181230	Moving axle driveshaft	2				
06	181271	Wheel 4.5 x 13 - 5 holes	2				
07	191916	Hex. bolt M12 x 60 x 1.25	4				
08	460865	Cone bearing	2				
09	503052	Castle nut 1" - 14 UNF	2				
10	632109	Wheel hub	2				
11	632125	Hub cap	2				
12	632141	Cone bearing	2				
13	632158	Flat washer 262 x 440 x 19	2				
14	881300	Flat washer 170 x 380 x 3.0	4				
15	911347	Cotter pin $\varnothing$ 5/32" x 1.1/2"	2				
16	937151	Retainer $\varnothing$ 42 x $\varnothing$ 62.25 x 6	2				
17	937268	Nozzle for tubeless tire	2				
18	937334	Wheel bolt M - 14 x 1.5	10				
19	984963	Hex. bolt M16 x 50 x 1.50	4				

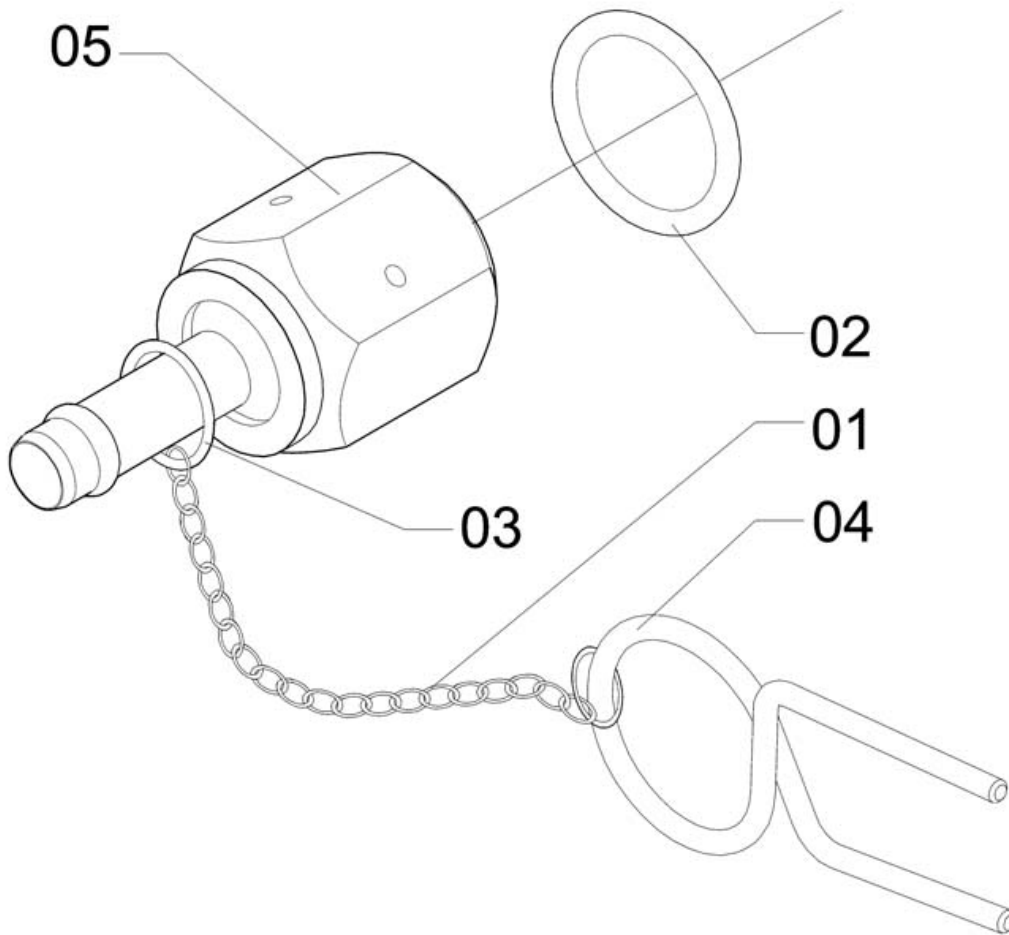
# SPRAY CONTROL ACTUATOR



CV-120

Item	CODE	DESCRIPTION	Qty.	Item	CODE	DESCRIPTION	Qty.
00	431692	Spray control actuator	1				
01	002683	Handrip	2				
02	356741	Lever	2				
03	431700	Lever support	1				
04	013433	Flat washer	3				
05	945832	Box nut M8 x 1,0	2				
06	947762	Stud bolt	1				

**QUICK FITTING 1/2"**

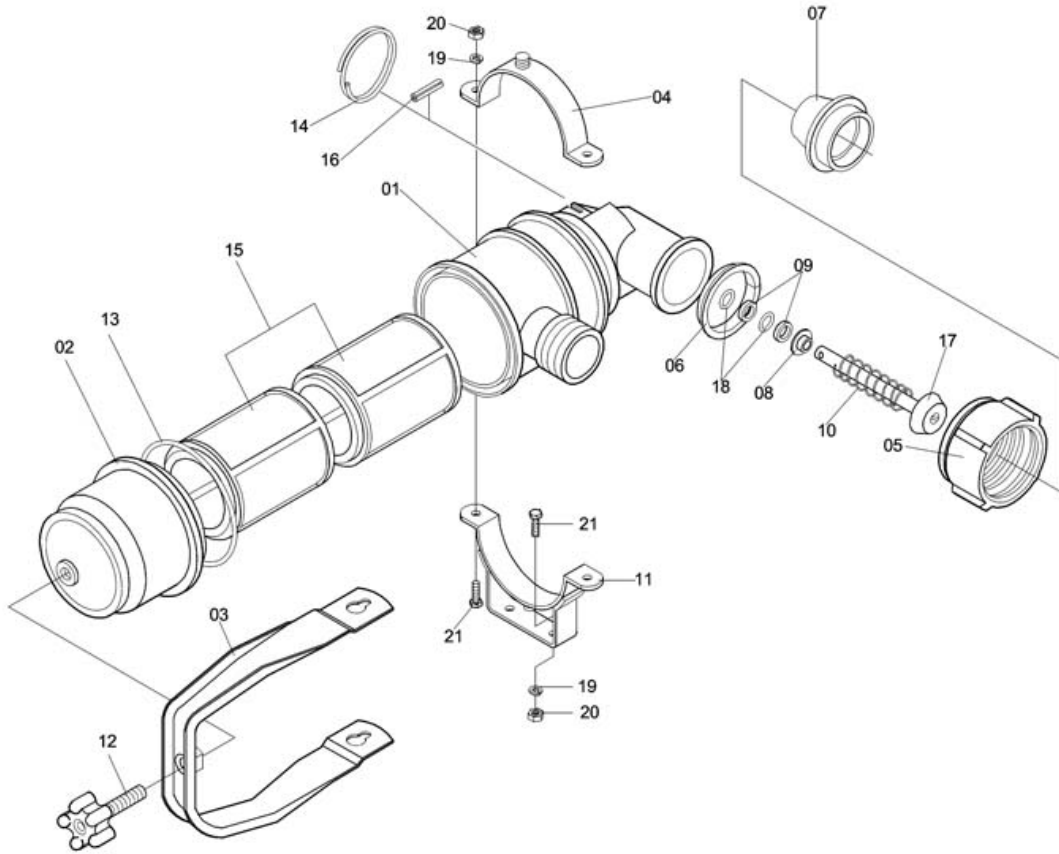


**CXA-233**

Item	CODE	DESCRIPTION	Qty.	Item	CODE	DESCRIPTION	Qty.
00	595827	Quick fitting 1/2"	1				
01	437822	Chain 120 mm	1				
02	440982	O-ring OR1-117	1				
03	622969	Double ring ø 22 x 26 x 3	2				
04	636399	Quick fitting clamp	1				
05	636407	Spray gun quick fitting 1/2"	1				



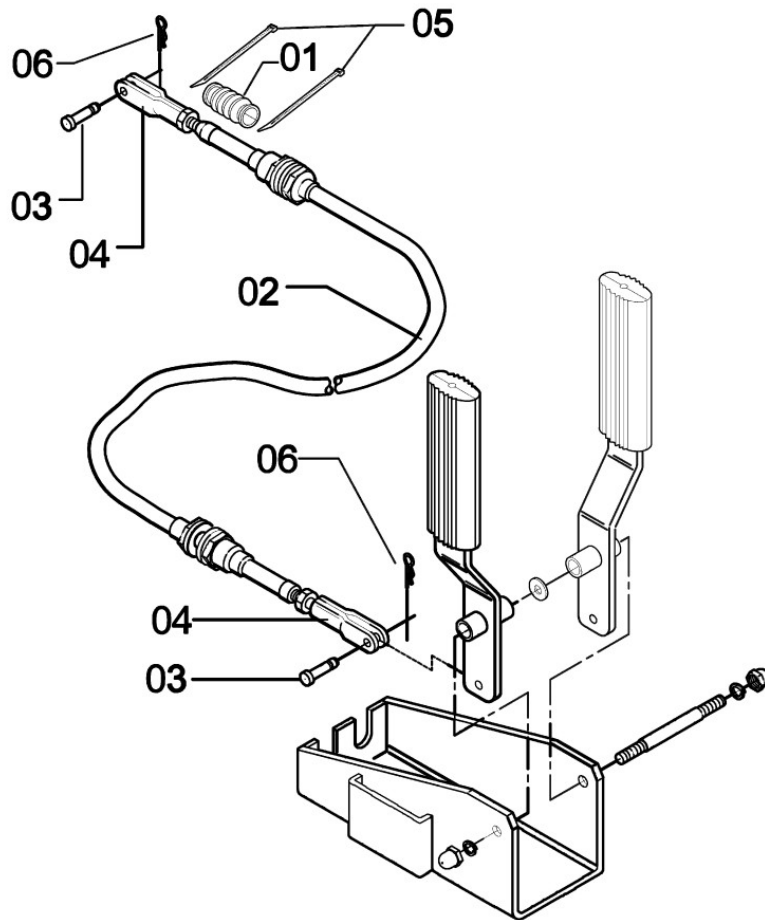
# FILTER FVS-100



**F-38**

Item	CODE	DESCRIPTION	Qty.	Item	CODE	DESCRIPTION	Qty.
00	005777	Filter FVS-100	1				
01	005785	Filter body	1				
02	005793	Filter cover	1				
03	005827	Filter handle	1				
04	005850	Half-strap	1				
05	005900	Coupling nut filter	1				
06	005918	Locking ring	1				
07	005934	Valve seat	1				
08	005967	Spring seat	1				
09	005975	Spacer washer	2				
10	006148	Compression spring	1				
11	010967	Half-strap with support	1				
12	011734	Bolt with knob	1				
13	012138	O-ring ORI - 241	1				
14	012146	Ring $\varnothing$ 40	1				
15	012492	Double filtering element	1				
16	105288	Flexible pin $\varnothing$ 4 x 20 (heavy)	1				
17	110817	Valve	1				
18	416669	O-ring OR1-110	2				
19	521666	Lock washer M6	4				
20	730309	Hex. nut M6 x 1.00 - Steel	4				
21	810697	Bolt M6 x 1 x 20	4				

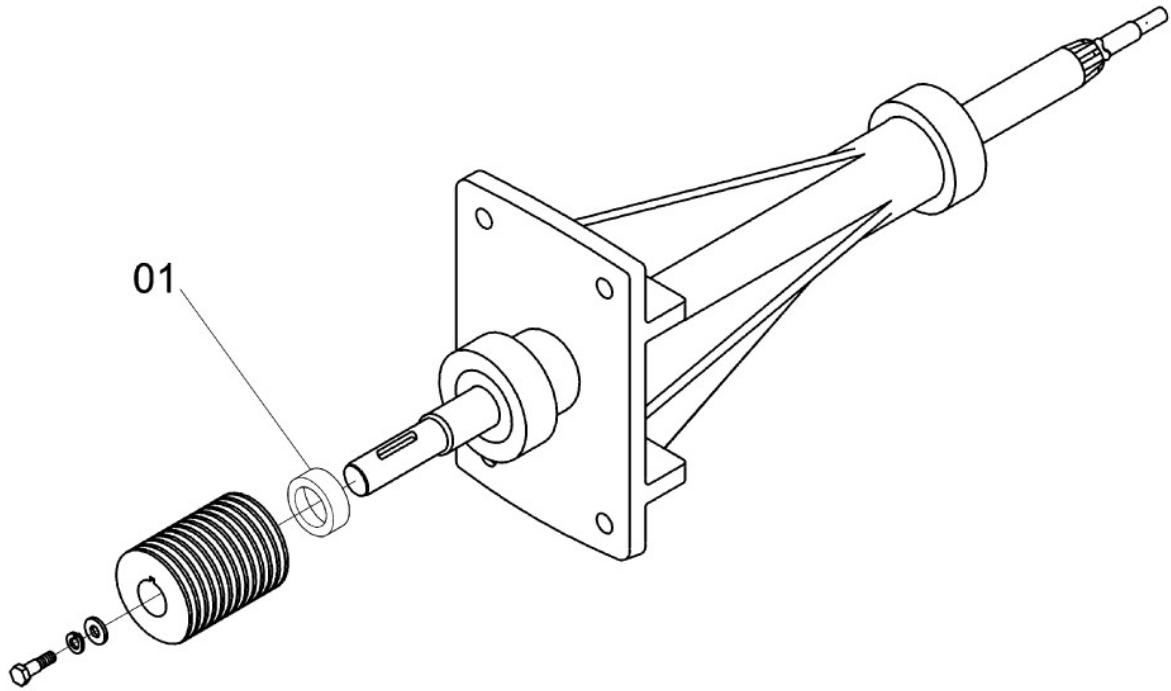
## FLEXIBLE CABLE WITH COUPLING FORK



CV-121

Item	CODE	DESCRIPTION	Qty.	Item	CODE	DESCRIPTION	Qty.
00	554477	Flexible cable with coupling fork	1				
01	058164	Bellows protector	1				
02	991414	Control flexible cable	1				
03	431510	Joint pin	2				
04	458323	Coupling end 53.5	1				
05	825406	Hose tie T 018 R	2				
06	942904	Lock cotter pin	2				

**SPACER 15**

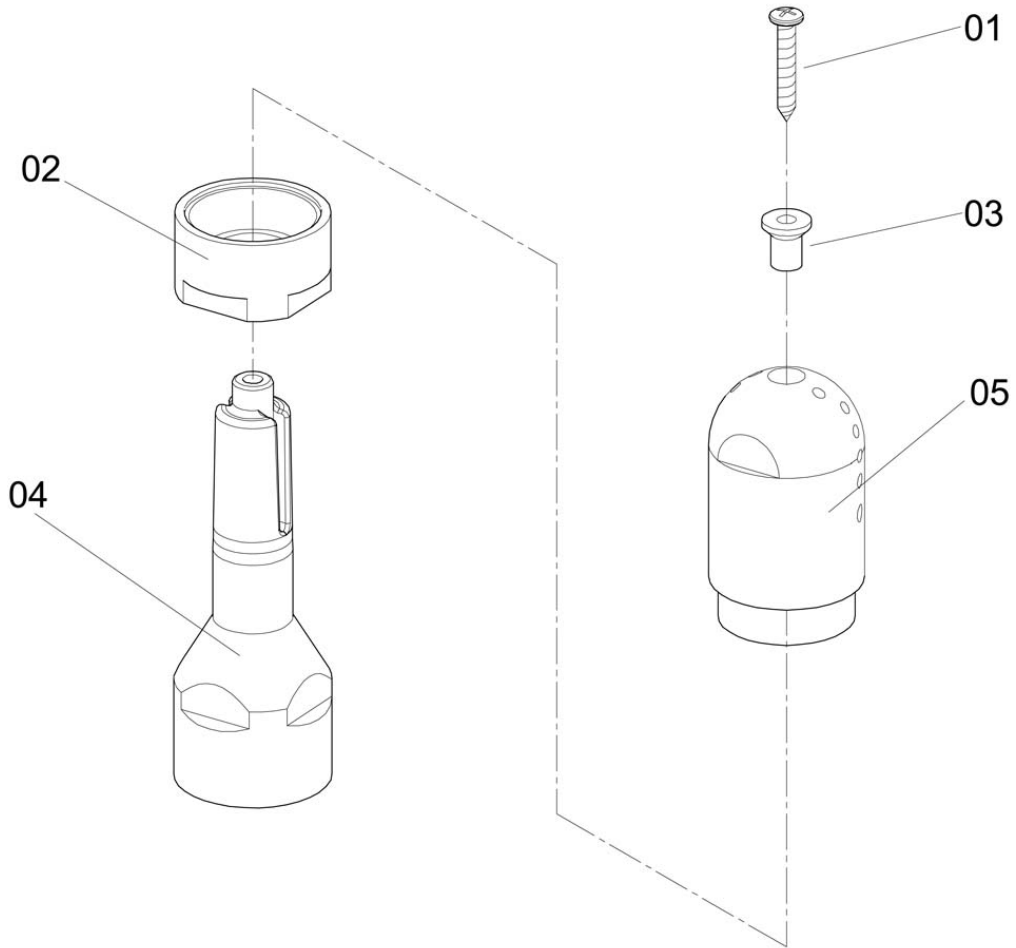


**TMV-28**

Item	CODE	DESCRIPTION	Qty.
00	728576	Spacer 15	1
01	728576	Spacer 15	1

Item	CODE	DESCRIPTION	Qty.

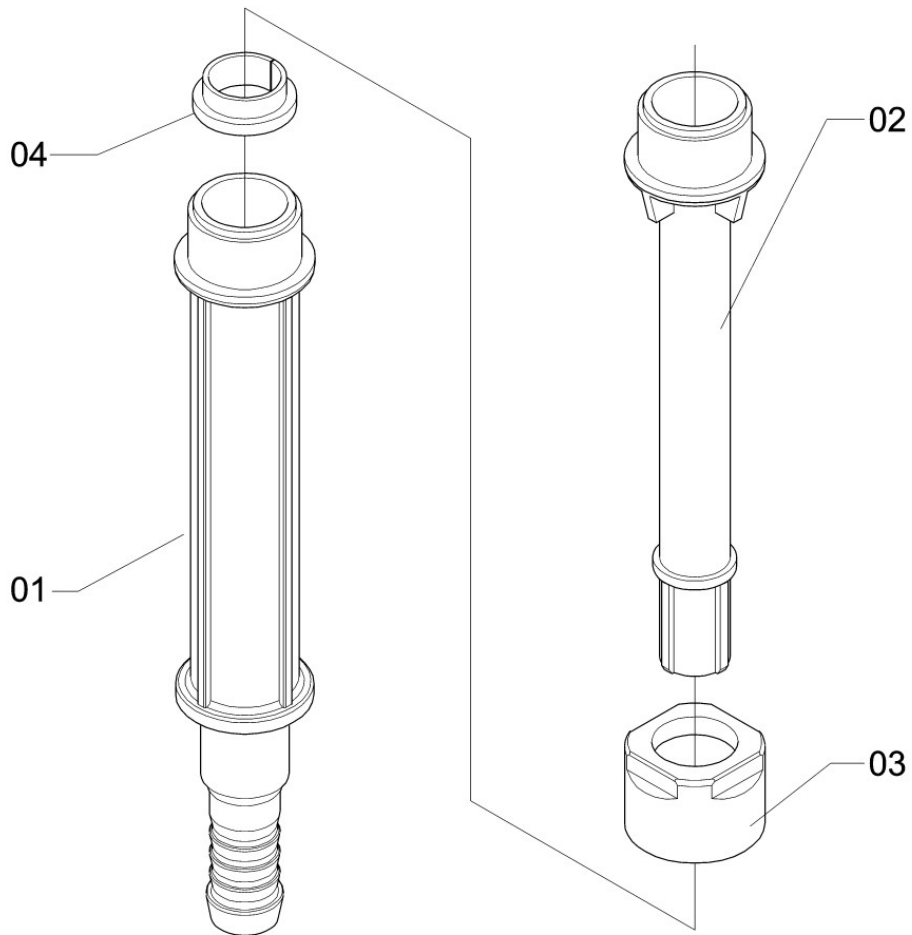
**RINSE NOZZLE**



**KIT-75**

Item	CODE	DESCRIPTION	Qty.	Item	CODE	DESCRIPTION	Qty.
00	071944	Rinse nozzle	1				
01	483628	Bolt 2.9 x 22	1				
02	059055	Nozzle nut	1				
03	061119	Bushing	1				
04	058909	Nozzle core	1				
05	060426	Nozzle body	1				

**CHEMICAL CONTAINER RINSE NOZZLE ROD**

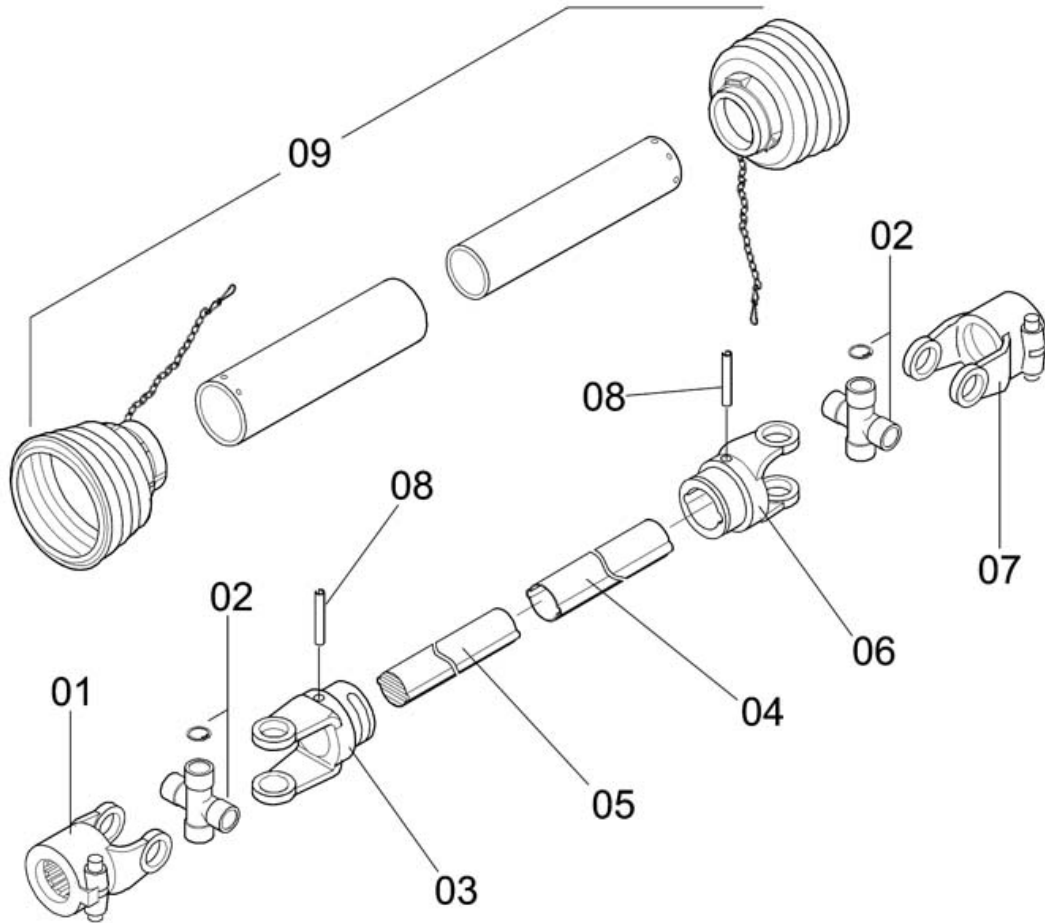


**KIT-76**

Item	CODE	DESCRIPTION	Qty.
00	088237	Chemical container rinse nozzle rod	1
01	058834	Nozzle rod	1
02	083907	Rod extension	1
03	087882	Extension nut	1
04	134221	Lock ring	1

Item	CODE	DESCRIPTION	Qty.

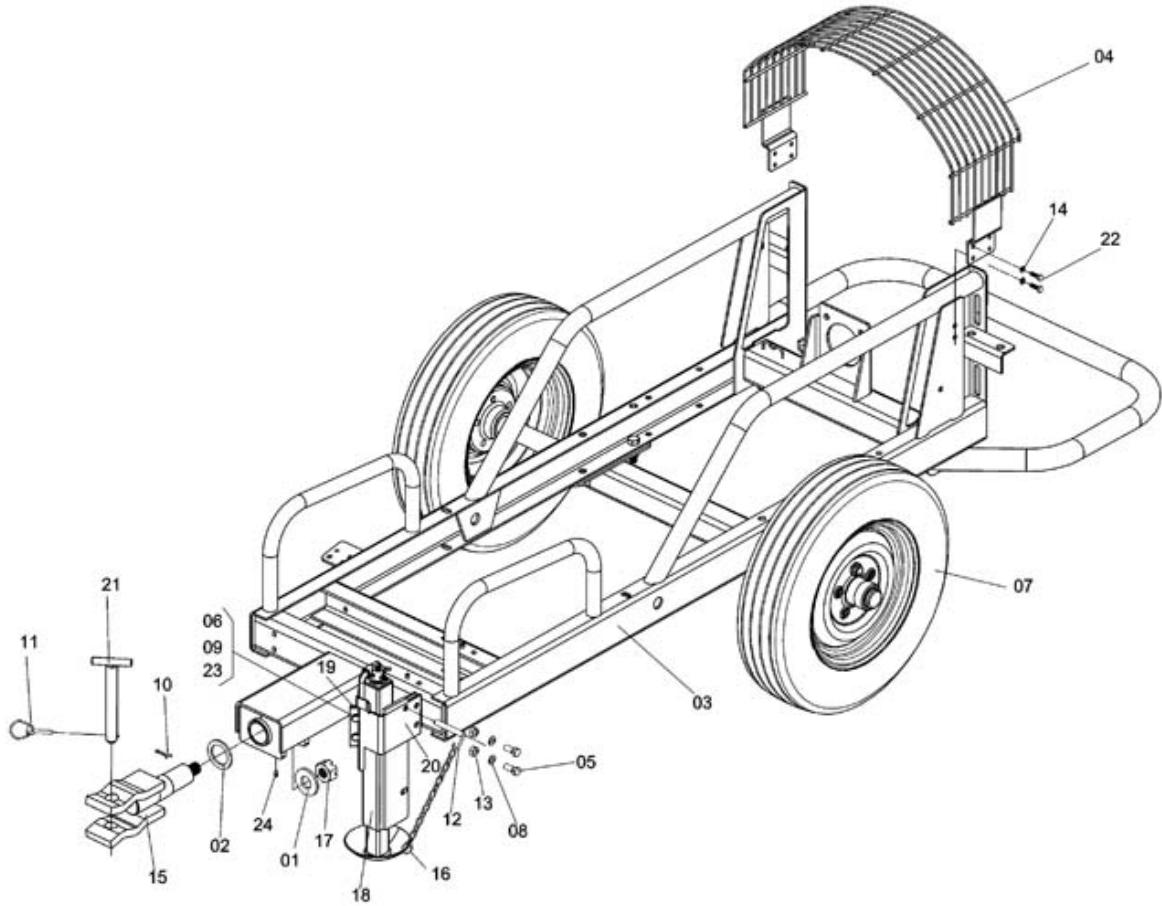
**CONVENTIONAL PTO SHAFT 700 S 2200 - Z=6 X  $\varnothing$  30**



**CN-10**

Item	CODE	DESCRIPTION	Qty.	Item	CODE	DESCRIPTION	Qty.
00	374405	Conventional PTO shaft 700 S 2200 - Z=6 x $\varnothing$ 30	1				
01	227298	Coupling end (tractor end)	1				
02	130344	Cross assembly with lock	2				
03	227322	Male tube coupling end	1				
04	227231	Female tube	1				
05	227249	Male tube	1				
06	227314	Female tube coupling end	1				
07	227306	Coupling end (sprayer end)	1				
08	227355	Flexible pin	2				
09	983188	Plastic protection assembly 8014-301/0920	1				

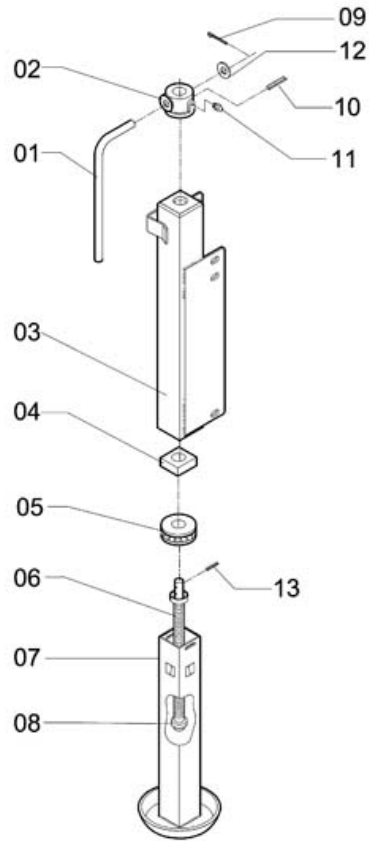
# TRAILER ASSEMBLY



**C-109**

Item	CODE	DESCRIPTION	Qty.	Item	CODE	DESCRIPTION	Qty.
00	084137	Trailer assembly	1				
01	001982	Flat washer 300 x 650 x 63	1				
02	007567	Flat washer 500 x 700 x 47.5	1				
03	083501	Chassis	1				
04	083535	Guard screen	1				
05	280925	Hex. head bolt M12 x 35 x 1,50	2				
06	168070	Hex. head bolt M 10 x 25 x 1,25	2				
07	181180	Adjustable axle no. 18	1				
08	209163	Lock washer M12	2				
09	209395	Lock washer M10	2				
10	209783	Cotter pin $\varnothing$ 3/16" x 1.1/2"	1				
11	330407	Universal lock pin 5/16"	1				
12	405159	Jack lock	1				
13	427013	Nut ABTN - 1020 thread M12 x 1,50	2				
14	519736	Lock washer M8	4				
15	620815	Trailer hitch	1				
16	622969	Double ring $\varnothing$ 22 x 26 x 3	1				
17	625160	Castle nut 1.1/8" - 7 UNC	1				
18	1145029	Jack no. 14	1				
19	743039	Left clamp	1				
20	743047	Right clamp	1				
21	824003	Tee pin	1				
22	829382	Hex head bolt M8 x 25 x 1.25	4				
23	907030	Hex. nut M10 x 1.25	2				
24	910463	Grease nipple 1/4" - 28 UNF	1				

# JACK NO. 14



**MC-11**

Item	CODE	DESCRIPTION	Qty.	Item	CODE	DESCRIPTION	Qty.
00	1145029	Jack no. 14	1				
01	331314	Jack handle	1				
02	330043	Bolt head	1				
03	1144341	Jack body	1				
04	426544	Square nut	1				
05	330084	Bearing	1				
06	330019	Screw $\varnothing$ 7/8" - 9 UNC x 360	1				
07	329995	Hinge slide bar	1				
08	429803	Seat ring	1				
09	910240	Cotter pin $\varnothing$ 3.18 x 25.4	1				
10	910802	Flexible pin $\varnothing$ 6 x 28	2				
11	910463	Grease nipple 1/4" - 28 UNF	1				
12	315002	Flat washer 130 x 254 x 15	1				
13	103978	Flexible pin 6 x 24	1				