

ARBUS 270

English version

EDITION - 06/2007

CODE - 979125

Parts catalog



MÁQUINAS AGRÍCOLAS JACTO S.A.

Rua Dr. Luiz Miranda, 1650

17580-000 - Pompéia - SP - Brasil

Tel.: +55 14 3405-2100 - Fax: +55 14 3452 1306

E-mail: export@jacto.com.br

Home page: <http://www.jacto.com.br>

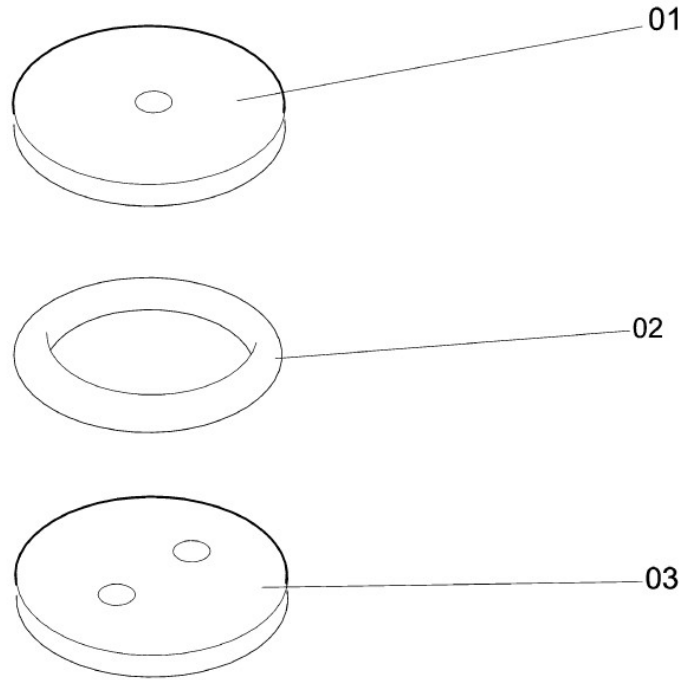
ARBUS 270

| EQUIPMENT | PAGE |
|--------------------------------|------|
| ARBUS 270 (ANTI-FREEZING)..... | 4 |

**ARBUS 270 (ANTI-FREEZING)
(CODE: 361105)**

| ENTIRE ASSEMBLIES | PAGE |
|---|-------------|
| 15-LITER TANK ASSEMBLY | 25 25 |
| 2-WAY VALVE | 21 21 |
| 4-WAY VALVE | 24 24 |
| ACCESSORIES BOX FOR ARBUS 270 BD | 17 17 |
| APPLICATION ASSEMBLY | 8 8 |
| CHASSIS AND COMPLEMENTS | 13 13 |
| CHEMICAL CIRCUIT | 10 10 |
| CHEMICAL CONTAINER RINSE NOZZLE KIT | 23 23 |
| CHEMICAL CONTAINER RINSE NOZZLE ROD | 28 28 |
| CONE NOZZLE J4-2 | 5 |
| CONTROL "8" | 16 16 |
| DOUBLE NOZZLE HOLDER | 12 12 |
| DRIVEN TRANSMISSION | 18 18 |
| FILTER FVS-100 | 26 26 |
| LID WITH BREATHER | 29 29 |
| PRESSURE REGULATOR WITH QUICK RELIEF | 20 20 |
| PTO SHAF WITH SHIELD | 15 |
| PTO SHAFT 400 | 14 14 |
| PTO SHAFT 510 (Z=6 X 0 30) | 30 |
| PUMP JP-50 | 6 6 |
| RINSE NOZZLE | 27 27 |
| VALVE - CHEMICAL CONTAINER RINSE NOZZLE | 22 22 |
| | |

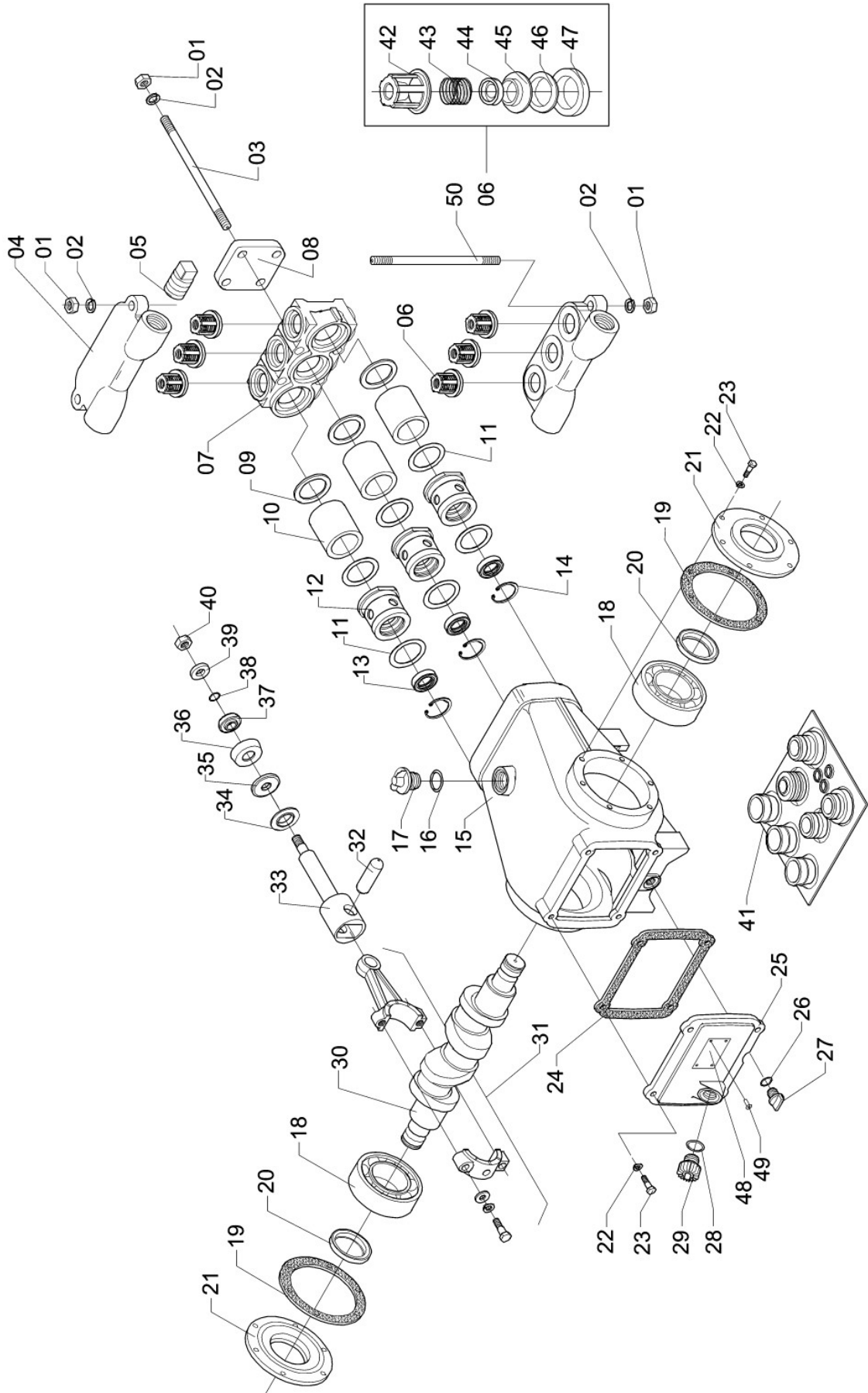
CONE NOZZLE J4-2



BC-23

| Item | CODE | DESCRIPTION | Qty. | Item | CODE | DESCRIPTION | Qty. |
|------|--------|------------------|------|------|------|-------------|------|
| 00 | 325423 | Cone nozzle J4-2 | 1 | | | | |
| 01 | 325332 | Disk J-4 | 1 | | | | |
| 02 | 642462 | Spacer ring | 1 | | | | |
| 03 | 325373 | Swirl core J-2 | 1 | | | | |

PUMP JP-50

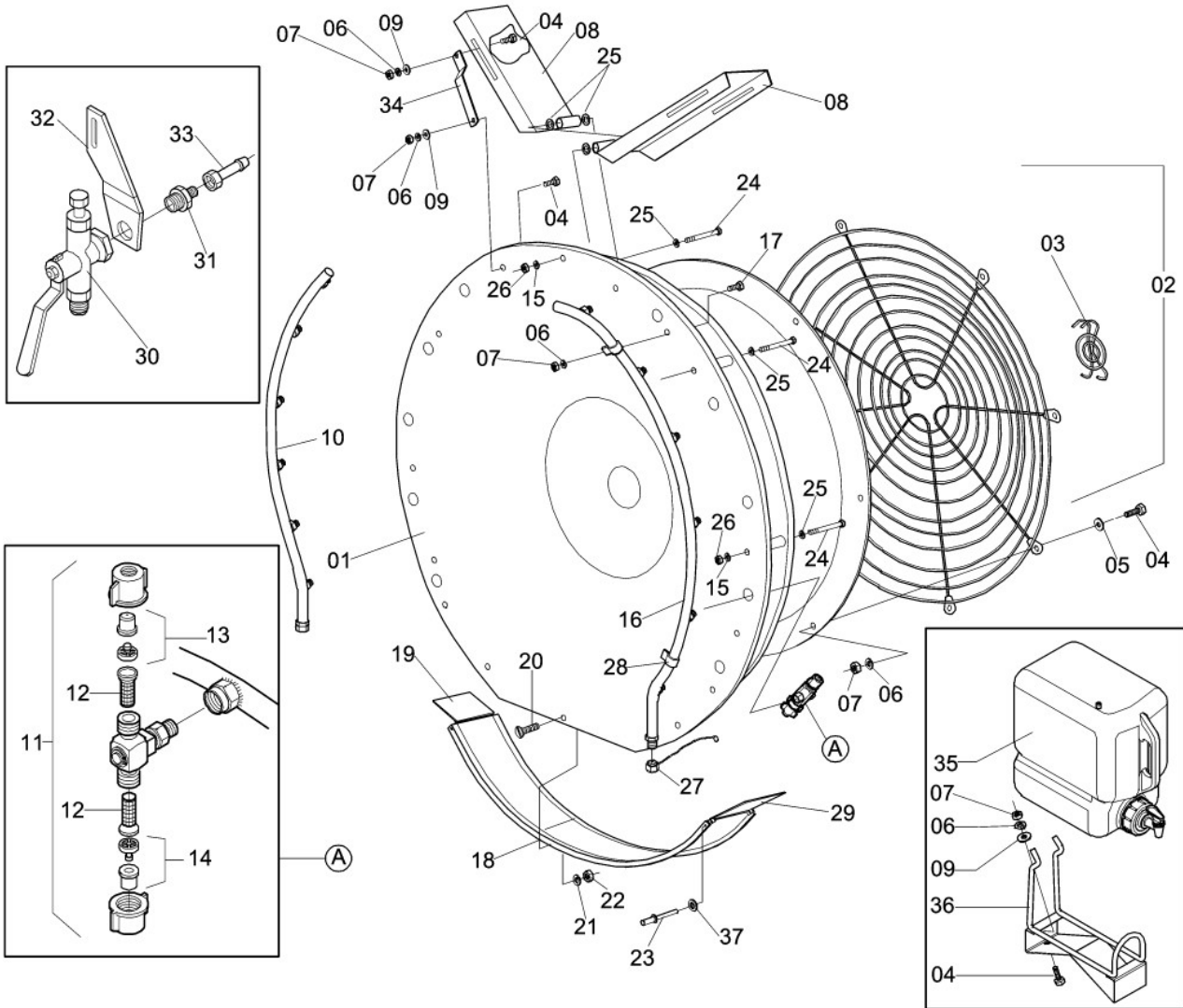


PUMP JP-50

Continuation

| Item | CODE | DESCRIPTION | Qty. | Item | CODE | DESCRIPTION | Qty. |
|------|--------|--|------|------|------|-------------|------|
| 00 | 130864 | Pump JP-50 | 1 | | | | |
| 01 | 912790 | Hex. nut 1/2" - 13 UNC | 8 | | | | |
| 02 | 908582 | Lock washer 1/2" | 8 | | | | |
| 03 | 911974 | Stud bolt \varnothing 1/2" - 13 UNC x 210 | 4 | | | | |
| 04 | 110304 | Valves cover | 2 | | | | |
| 05 | 911305 | Plug \varnothing 1/2" BSP | 2 | | | | |
| 06 | 261404 | Pump valve | 6 | | | | |
| 07 | 110288 | Pump head | 1 | | | | |
| 08 | 110320 | Clip plate | 1 | | | | |
| 09 | 912493 | Seal washer \varnothing 54 x 2.0 | 3 | | | | |
| 10 | 423517 | Pump sleeve | 3 | | | | |
| 11 | 912154 | Packing \varnothing 54 x 41.5 x 0.4 | 11 | | | | |
| 12 | 911750 | Sleeve guide \varnothing 35 | 3 | | | | |
| 13 | 106922 | Retainer \varnothing 22 x 35.2 x 7 | 3 | | | | |
| 14 | 107524 | Snap ring for hole \varnothing 36 | 3 | | | | |
| 15 | 110247 | Pump body | 1 | | | | |
| 16 | 012724 | O-ring ORI-119 | 1 | | | | |
| 17 | 328542 | Plug \varnothing 3/4" BSP | 1 | | | | |
| 18 | 107557 | Fixed bearing | 2 | | | | |
| 19 | 912147 | Packing | 2 | | | | |
| 20 | 106930 | Retainer | 2 | | | | |
| 21 | 911727 | Flange with wing | 2 | | | | |
| 22 | 519736 | Lock washer M8 | 16 | | | | |
| 23 | 663153 | Hex. bolt 5/16" - 18 UNC x 3/4" | 16 | | | | |
| 24 | 110379 | Packing | 1 | | | | |
| 25 | 110338 | Pump cover | 1 | | | | |
| 26 | 325290 | O-ring OR1-112 | 1 | | | | |
| 27 | 520775 | Drain plug 1/4" BSP | 1 | | | | |
| 28 | 210146 | O-ring OR1-117 | 1 | | | | |
| 29 | 213736 | Plug 1/2" BSP | 1 | | | | |
| 30 | 130872 | Crankshaft | 1 | | | | |
| 31 | 130401 | Connecting rod assembly | 3 | | | | |
| 32 | 911677 | Connecting rod shaft | 3 | | | | |
| 33 | 012922 | Rod guide | 3 | | | | |
| 34 | 211524 | Scraper ring | 3 | | | | |
| 35 | 911842 | Piston cup assembly | 3 | | | | |
| 36 | 211482 | Piston cup | 3 | | | | |
| 37 | 211375 | Piston | 3 | | | | |
| 38 | 901405 | O-ring ORI-014 | 3 | | | | |
| 39 | 911867 | Flat washer 130 x 254 x 50 | 3 | | | | |
| 40 | 324178 | Nut \varnothing 1/4" - 20 UNF | 3 | | | | |
| 41 | 217133 | Pump repair kit | 1 | | | | |
| 42 | 073809 | Gaiola | 6 | | | | |
| 43 | 088070 | Compression spring \varnothing 19.7 z LO= 23.1 | 6 | | | | |
| 44 | 088187 | Disc \varnothing 21.9/22 | 6 | | | | |
| 45 | 407296 | Valve seat | 6 | | | | |
| 46 | 508317 | Guide ring - pump valve | 6 | | | | |
| 47 | 508333 | Valve packing | 6 | | | | |
| 48 | 226639 | | 1 | | | | |
| 49 | 109587 | Round head rivet | 6 | | | | |
| 50 | 130906 | Stud bolt \varnothing 1/2"- 13 UNC x 200 | 2 | | | | |
| | 824201 | Lubricating oil - Texaco | 2 | | | | |
| | 959957 | Sticker: "Keep oil on level" | 1 | | | | |

APPLICATION ASSEMBLY



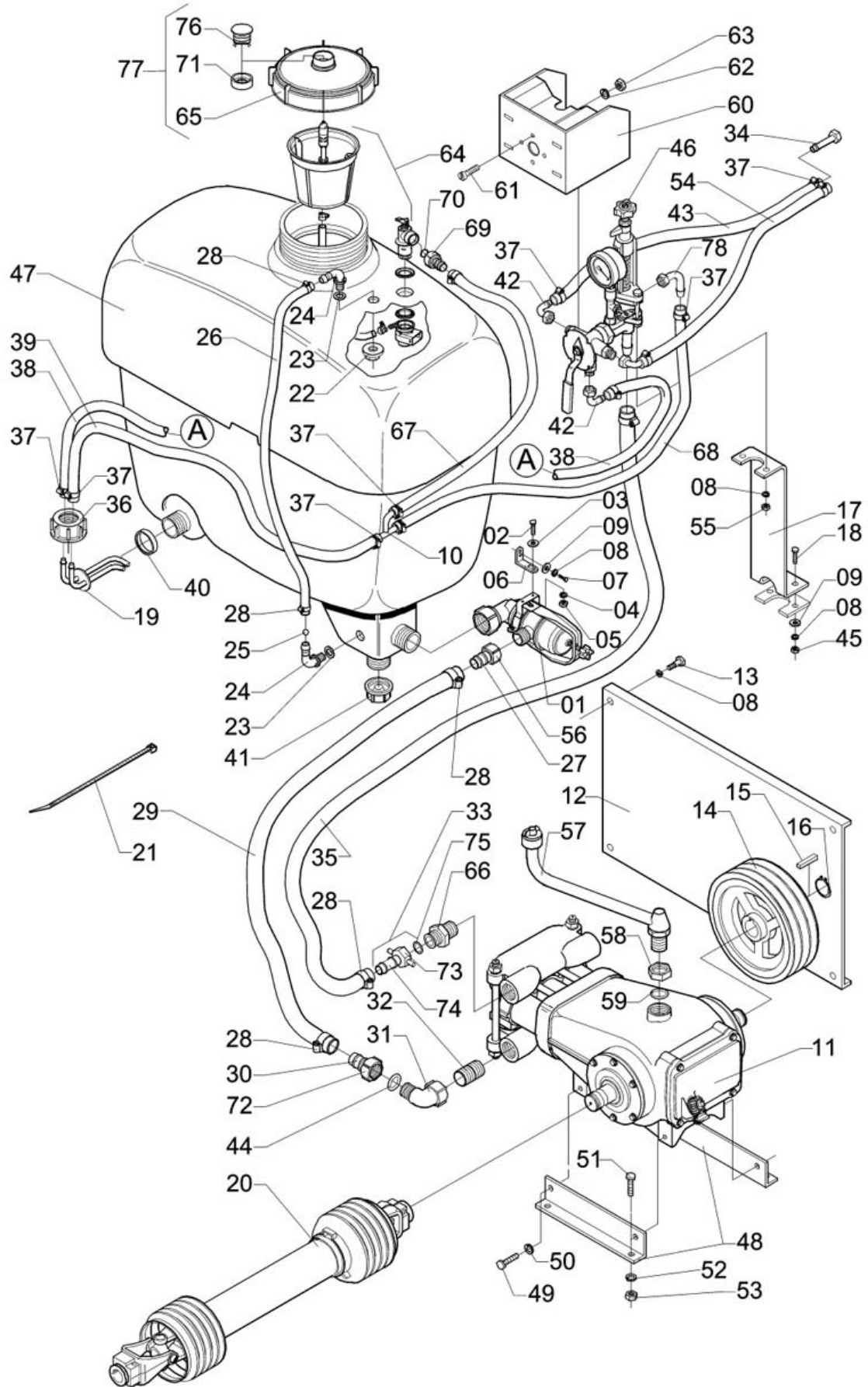
CA-160

APPLICATION ASSEMBLY

Continuation

| Item | CODE | DESCRIPTION | Qty. | Item | CODE | DESCRIPTION | Qty. |
|------|--------|------------------------------------|------|------|------|-------------|------|
| 00 | 554386 | Application assembly | 1 | | | | |
| 01 | 222588 | Deflector | 1 | | | | |
| 02 | 434076 | Fan guard grid | 1 | | | | |
| 03 | 358465 | Fan lock guard | 1 | | | | |
| 04 | 912667 | Bolt 5/16" x 18 UNC x 7/8 | 14 | | | | |
| 05 | 507665 | Flat washer 82 x 506 x 30 | 6 | | | | |
| 06 | 519736 | Lock washer M8 | 14 | | | | |
| 07 | 912758 | Hex. nut 5/16" - 18 UNC | 14 | | | | |
| 08 | 222554 | Adjustable flap | 2 | | | | |
| 09 | 013433 | Flat washer | 14 | | | | |
| 10 | 365023 | Right nozzle branch assembly | 1 | | | | |
| 10A | 365049 | Right branch - 6 nozzles | 1 | | | | |
| 11 | 340802 | Double nozzle holder | 12 | | | | |
| 12 | 439083 | Nozzle filter (50 mesh) | 24 | | | | |
| 13 | 000026 | Cone nozzle JA-2 (black) | 12 | | | | |
| 14 | 725259 | Nozzle. APT-R (red) | 12 | | | | |
| 15 | 908566 | Lock washer ø 3/8" | 7 | | | | |
| 16 | 365031 | Left nozzle branch assembly | 1 | | | | |
| 16A | 365056 | Left branch - 6 nozzles | 1 | | | | |
| 17 | 663153 | Hex. bolt 5/16" - 18 UNC x 3/4" | 6 | | | | |
| 18 | 222638 | Channel | 2 | | | | |
| 19 | 222596 | Lower vane (right) | 1 | | | | |
| 20 | 222752 | Screw M-4 x 12 x 0.7 | 2 | | | | |
| 21 | 520700 | Lock washer M4 | 2 | | | | |
| 22 | 551523 | Hex. nut M-4 x 0.7 stainless steel | 2 | | | | |
| 23 | 215426 | Rivet pop 4,8 x 21,6 | 4 | | | | |
| 24 | 359778 | Bolt 3/8" - 16 UNC x 4. 1/2" | 7 | | | | |
| 25 | 623884 | Flat washer 105 x 210 x 20 | 11 | | | | |
| 26 | 912774 | Hex. nut 3/8" - 16 UNC | 7 | | | | |
| 27 | 222521 | Plug with ring and chain | 2 | | | | |
| 28 | 328195 | Nozzle tube semiclamp | 4 | | | | |
| 29 | 222612 | Lower vane (left) | 1 | | | | |
| 30 | 220798 | 2-way valve | 1 | | | | |
| 31 | 220848 | Nipple 3/4" BSP x 1/2" BSP | 1 | | | | |
| 32 | 220855 | Right support | 1 | | | | |
| 33 | 413310 | Hose fitting ø 1/2" | 1 | | | | |
| 34 | 204610 | Support body | 2 | | | | |
| 35 | 299768 | 15-liter tank assembly | 1 | | | | |
| 36 | 133314 | 12-liter tank support | 1 | | | | |
| 37 | 979237 | Flat washer 5,30 x 10,0 x 1,0 | 4 | | | | |

CHEMICAL CIRCUIT



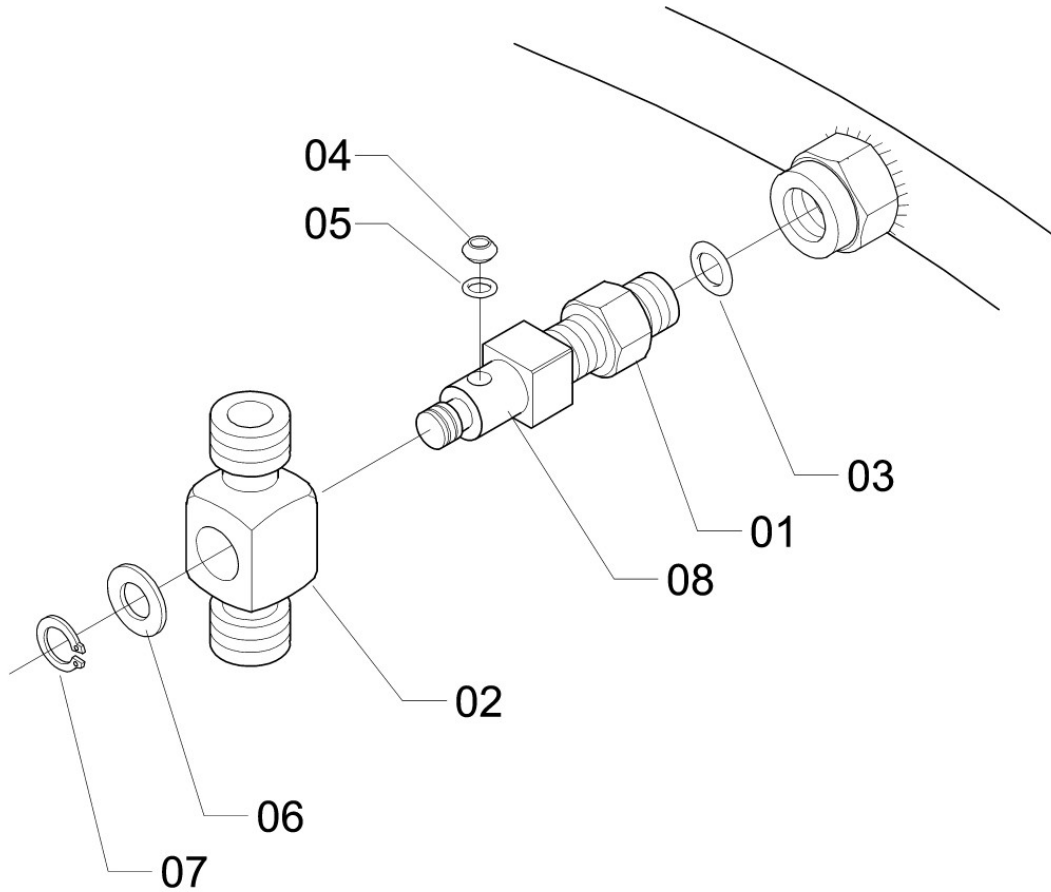
CD-410

CHEMICAL CIRCUIT

Continuation

| Item | CODE | DESCRIPTION | Qty. | Item | CODE | DESCRIPTION | Qty. |
|------|--------|---------------------------------------|------|------|--------|---|------|
| 00 | 221408 | Chemical circuit | 1 | 59 | 012724 | O-ring ORI-119 | 1 |
| 01 | 005777 | Filter FVS-100 | 1 | 60 | 221747 | Control housing | 1 |
| 02 | 007229 | Bolt 1/4" x 20 UNC x 3/4" | 1 | 61 | 913640 | Bolt ø 3/16" UNC x 1/2" | 4 |
| 03 | 413468 | Flat washer 68 x 190 x 12 | 1 | 62 | 520676 | Lock washer M5 | 4 |
| 04 | 910117 | Lock washer ø 1/4" | 1 | 63 | 912733 | Nut ø 3/16" UNC | 4 |
| 05 | 912741 | Nut ø 1/4" - 20 UNC | 1 | 64 | 136648 | Chemical container rinse nozzle kit | 1 |
| 06 | 221416 | Filter bracket | 1 | 65 | 233965 | Spray tank lid | 1 |
| 07 | 663153 | Hex. bolt 5/16" - 18 UNC x 3/4" | 1 | 66 | 814517 | Reducer nipple 1" BSP x 3/4" BSP | 1 |
| 08 | 519736 | Lock washer M8 | 9 | 67 | 702480 | Hose 1/2" x 900 (supplied per m.) | 1 |
| 09 | 013433 | Flat washer | 7 | 68 | 831453 | Hose MBP ø 1/2" x 170 | 1 |
| 10 | 127753 | Curve tee fitting 90° | 1 | 69 | 731539 | Hose fitting 1/2" | 1 |
| 11 | 130864 | Pump JP-50 | 1 | 70 | 731521 | O-ring OR1 - 124 | 1 |
| 12 | 221424 | Pulley shield | 1 | 71 | 088419 | Labyrinth lock | 1 |
| 13 | 637041 | Bolt ø 5/16" - 20 UNC x 5/8" | 4 | 72 | 511733 | Round nut 1" BSP (40-45) | 1 |
| 14 | 221440 | Pulley ø 295-3-3V | 1 | 73 | 403014 | Hexagonal wing nut 3/4" BSP | 1 |
| 15 | 015305 | Square key 5/16" x 30 | 2 | 74 | 606764 | Fitting for hose ø 3/4" | 1 |
| 16 | 910166 | Snap ring for shaft | 1 | 75 | 706796 | O-ring OR1-114 | 1 |
| 17 | 221457 | Control support | 1 | 76 | 088427 | Labyrinth | 1 |
| 18 | 912667 | Bolt 5/16" x 18 UNC x 7/8 | 2 | 77 | 037374 | Tank lid | 1 |
| 19 | 221481 | Hydraulic agitator | 1 | 78 | 317529 | Curve fitting for hose ø 1/2" x 90° | 1 |
| 20 | 117416 | PTO shaft 400 | 1 | | 130633 | Sticker: "Chemicals" (English) | 1 |
| 20A | 558916 | PTO shaf with shield | 1 | | 222919 | Sticker: J+Jacto logotype | 2 |
| 21 | 326710 | Hose tie | 2 | | 225748 | Sticker: "Arbus 270" | 2 |
| 22 | 428748 | Flanged nut 1/2" BSP -14 F.P.P. | 2 | | 225755 | | 1 |
| 23 | 563510 | Seal washer ø 36,3 | 2 | | 225763 | Sticker: "PTO shaft instructions" (English) | 1 |
| 24 | 428730 | Elbow 3/4" x 1/2" BSP -14 F.P.P. | 2 | | | | |
| 25 | 324764 | Float ø 14 | 1 | | | | |
| 26 | 818484 | Transparent hose 0 3/4" x 1100 | 1 | | 360230 | Sticker: protectors indication | 1 |
| 27 | 208777 | Hose fitting 1" x 33 | 1 | | | | |
| 28 | 423814 | Clamp D22-32 - stainless steel | 6 | | | | |
| 29 | 221556 | Hose 1" x 620 | 1 | | | | |
| 30 | 404434 | Hose fitting | 1 | | | | |
| 31 | 902817 | Male/female elbow 1" BSP x 90 degrees | 1 | | | | |
| 32 | 910000 | Nipple 1" BSP | 1 | | | | |
| 33 | 908335 | Hose fitting 3/4" with nut and seal | 1 | | | | |
| 34 | 413849 | Hose fitting | 2 | | | | |
| 35 | 217315 | Hose 3/4" x 850 | 1 | | | | |
| 36 | 809848 | Bored cap | 1 | | | | |
| 37 | 107664 | Clamp D14-22 - stainless steel | 12 | | | | |
| 38 | 221598 | Hose Ø 1/2" x 530 | 1 | | | | |
| 39 | 223263 | Hose Ø 1/2" x 380 | 1 | | | | |
| 40 | 445502 | Cap seal (JACTO) | 1 | | | | |
| 41 | 900761 | Drain cap ø 67 | 1 | | | | |
| 42 | 317529 | Elbow 1/2" x 90° | 3 | | | | |
| 43 | 630947 | Hose 1/2" x 1200 (sup. per meter) | 1 | | | | |
| 44 | 402412 | Lock washer ø 31 x 22.5 x 22.5/3.0 | 1 | | | | |
| 45 | 912758 | Hex. nut 5/16" - 18 UNC | 2 | | | | |
| 46 | 220632 | Control 8 | 1 | | | | |
| 47 | 137265 | Tank 270 L | 1 | | | | |
| 48 | 204347 | Pump support | 2 | | | | |
| 49 | 621086 | Bolt ø 1/2" UNC x 1" | 4 | | | | |
| 50 | 908582 | Lock washer 1/2" | 4 | | | | |
| 51 | 912709 | Bolt ø 3/8" - 16 UNC x 1" | 4 | | | | |
| 52 | 908566 | Lock washer ø 3/8" | 4 | | | | |
| 53 | 912774 | Hex. nut 3/8" - 16 UNC | 4 | | | | |
| 54 | 558874 | Hose Ø 1/2" x 270 | 1 | | | | |
| 55 | 221648 | Nut M8 x 1.25 - stainless steel | 2 | | | | |
| 56 | 005884 | Nut 1.1/4" BSP | 2 | | | | |
| 57 | 221655 | Oil filling tube | 1 | | | | |
| 58 | 715730 | Cotter pin 3/4" BSP x 14 BSP | 1 | | | | |

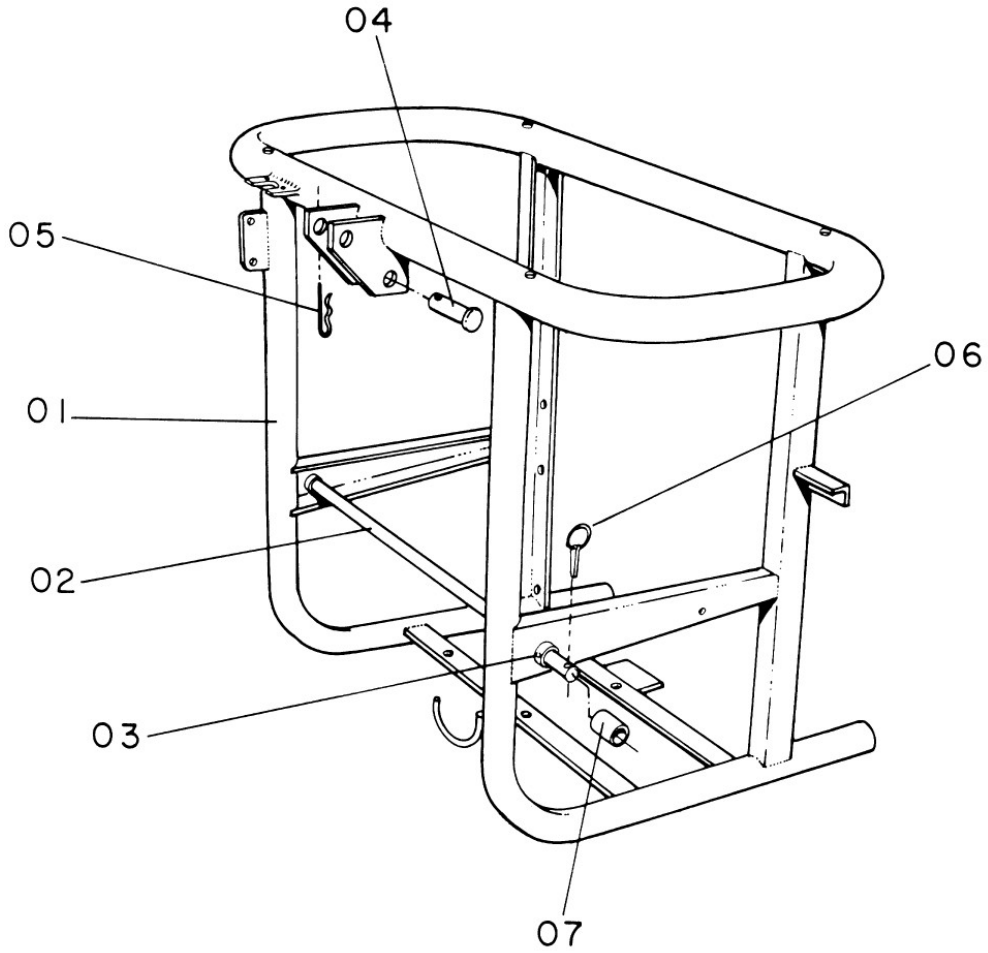
DOUBLE NOZZLE HOLDER



BC-36

| Item | CODE | DESCRIPTION | Qty. | Item | CODE | DESCRIPTION | Qty. |
|------|--------|--|------|------|------|-------------|------|
| 00 | 340802 | Double nozzle holder | 1 | | | | |
| 01 | 441154 | Nut \varnothing 1/4" BSP - 18 F.P.P. | 1 | | | | |
| 02 | 340810 | Double nozzle holder | 1 | | | | |
| 03 | 120097 | O-ring ORI - 013 | 1 | | | | |
| 04 | 340828 | Seal | 1 | | | | |
| 05 | 340851 | O-ring OR2 - 201 | 1 | | | | |
| 06 | 340836 | Wavy washer | 1 | | | | |
| 07 | 340844 | Snap ring for shaft \varnothing 10 | 1 | | | | |
| 08 | 454991 | Nozzle holder support 51.5 | 1 | | | | |

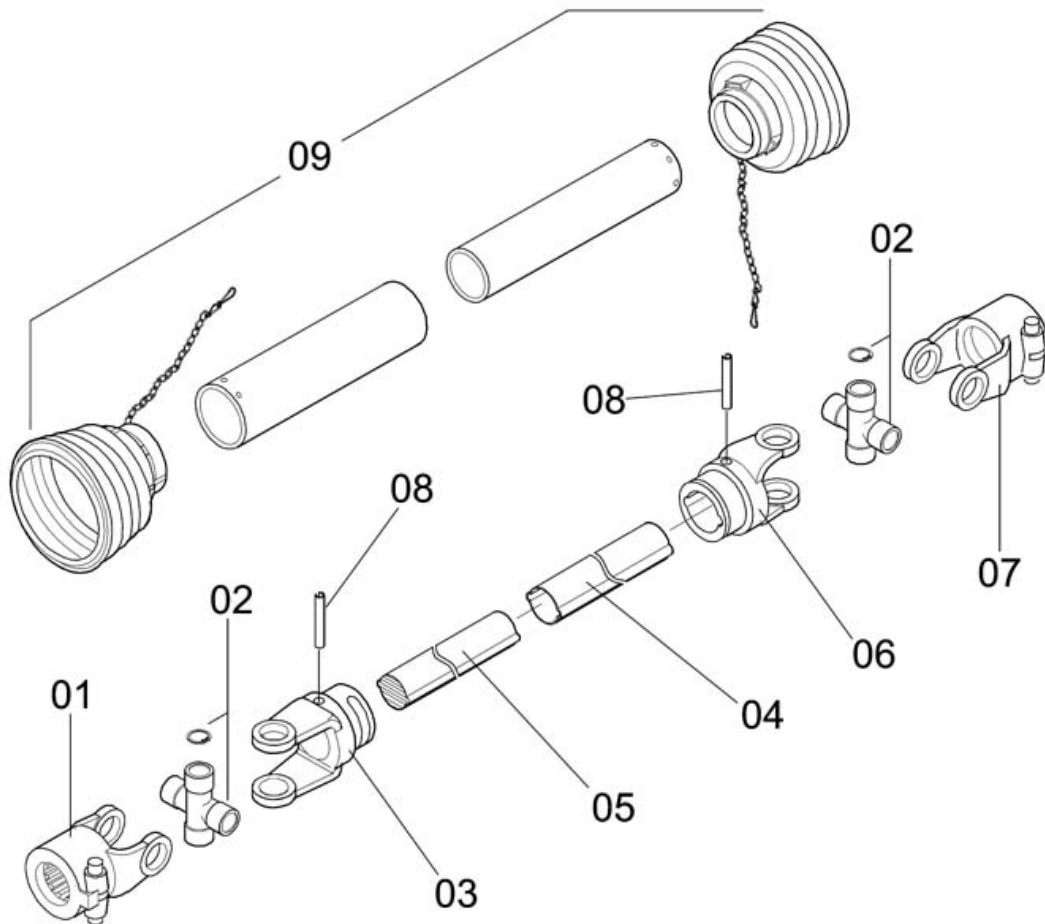
CHASSIS AND COMPLEMENTS



C3P-14

| Item | CODE | DESCRIPTION | Qty. | Item | CODE | DESCRIPTION | Qty. |
|------|--------|-----------------------------------|------|------|------|-------------|------|
| 00 | 221234 | Chassis and complements | 1 | | | | |
| 01 | 221242 | Chassis | 1 | | | | |
| 02 | 221382 | Hitch bar 810 | 1 | | | | |
| 03 | 545855 | Flexible pin \varnothing 6 x 32 | 1 | | | | |
| 04 | 602912 | Coupling pin | 1 | | | | |
| 05 | 312975 | Cotter pin 3/16" x 185 | 1 | | | | |
| 06 | 812636 | Universal lock pin 7/16" | 2 | | | | |
| 07 | 400325 | Lower coupling pin sleeve | 2 | | | | |

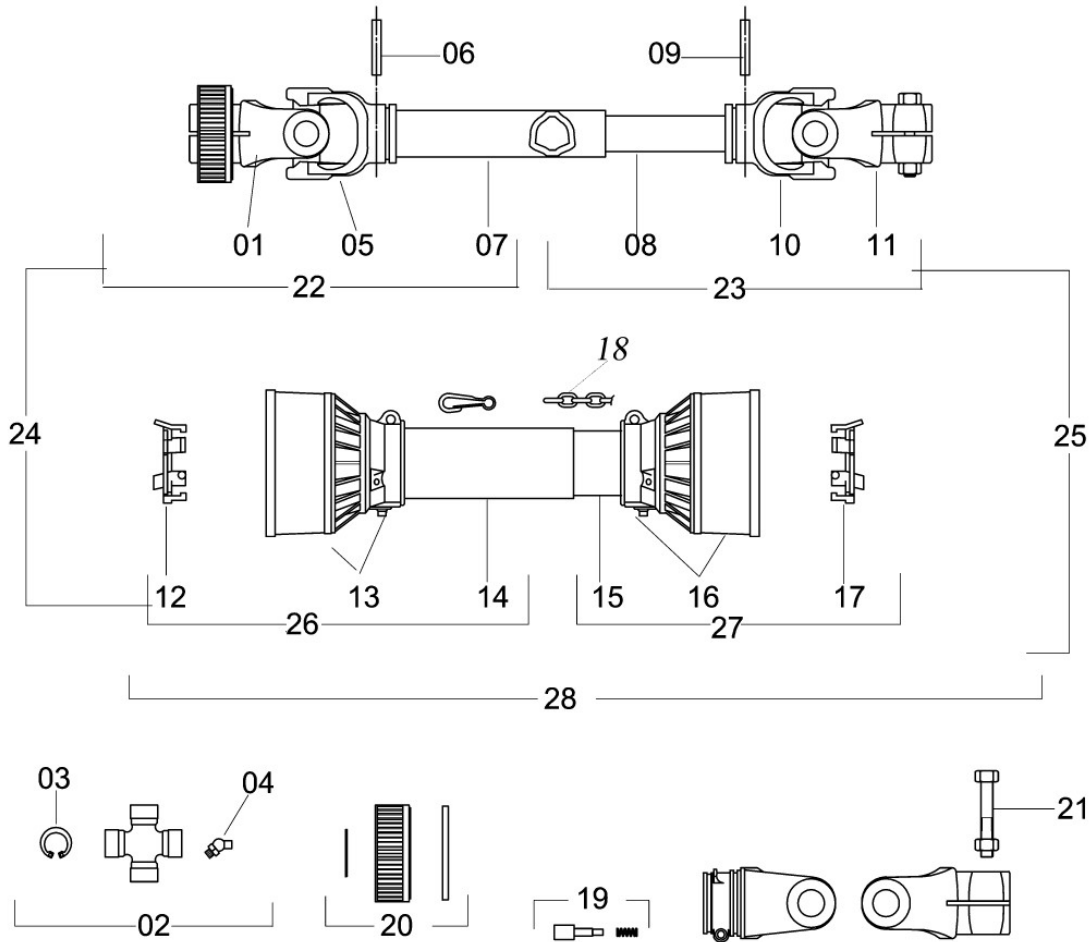
PTO SHAFT 400



CN-10

| Item | CODE | DESCRIPTION | Qty. | Item | CODE | DESCRIPTION | Qty. |
|------|--------|-------------------------------------|------|------|------|-------------|------|
| 00 | 117416 | PTO shaft 400 | 1 | | | | |
| 01 | 227298 | Coupling end (tractor end) | 1 | | | | |
| 02 | 130344 | Cross assembly with lock | 2 | | | | |
| 03 | 227322 | Male tube coupling end | 1 | | | | |
| 04 | 227330 | Female tube | 1 | | | | |
| 05 | 227348 | Male tube | 1 | | | | |
| 06 | 227314 | Female tube coupling end | 1 | | | | |
| 07 | 227306 | Coupling end (sprayer end) | 1 | | | | |
| 08 | 227355 | Flexible pin | 2 | | | | |
| 09 | 227363 | PTO shaft shield assembly (plastic) | 1 | | | | |

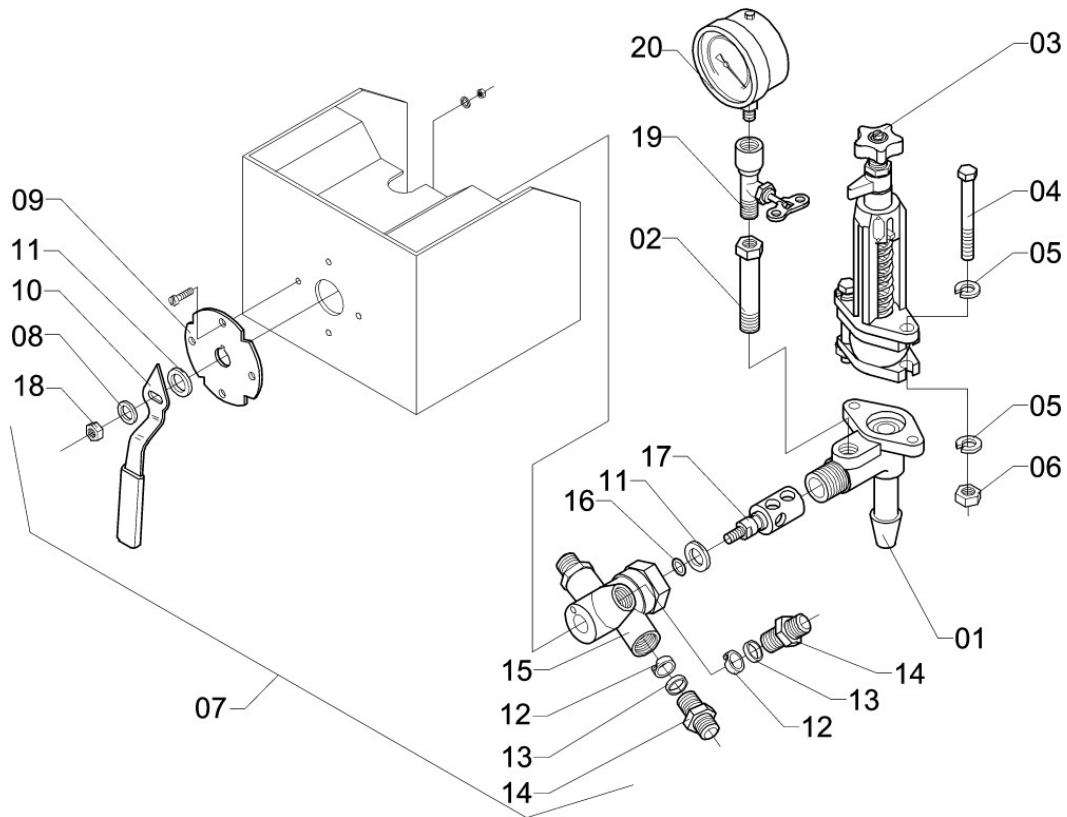
PTO SHAF WITH SHIELD



CN-2

| Item | CODE | DESCRIPTION | Qty. | Item | CODE | DESCRIPTION | Qty. |
|------|--------|---------------------------------------|------|------|--------|-----------------------------------|------|
| 00 | 558916 | PTO shaf with shield | 1 | 26 | 643387 | Shield assembly (female end) | 1 |
| 01 | 643403 | Coupling end with lock | 1 | 27 | 572420 | Shield assembly (male end) | 1 |
| 02 | 572206 | Cross | 2 | 28 | 643395 | Shield assembly (male/female end) | 1 |
| 03 | 572214 | Flexible ring | 8 | | | | |
| 04 | 457044 | Grease nipple | 2 | | | | |
| 05 | 572222 | Female tube coupling end | 1 | | | | |
| 06 | 572230 | Flexible pin | 1 | | | | |
| 07 | 572248 | Female tube | 1 | | | | |
| 08 | 572255 | Male tube | 1 | | | | |
| 09 | 643445 | Flexible pin | 1 | | | | |
| 10 | 572263 | Male tube coupling end | 1 | | | | |
| 11 | 572271 | Coupling end (sprayer end) | 1 | | | | |
| 12 | 572289 | Shield lock | 1 | | | | |
| 13 | 572297 | Cross shield (PTO end) | 1 | | | | |
| 14 | 572305 | Female tube shield | 1 | | | | |
| 15 | 572313 | Male tube shield | 1 | | | | |
| 16 | 572321 | Cross shield (sprayer end) | 1 | | | | |
| 17 | 572339 | Shield lock | 1 | | | | |
| 18 | 457127 | Chain | 2 | | | | |
| 19 | 457176 | Lock with spring | 1 | | | | |
| 20 | 572354 | Lock knob | 1 | | | | |
| 21 | 572362 | Bolt and nut | 1 | | | | |
| 22 | 643361 | Coupling end assembly (PTO end) | 1 | | | | |
| 23 | 572388 | Coupling end (sprayer end) | 1 | | | | |
| 24 | 643379 | Half-PTO shaft assembly (PTO end) | 1 | | | | |
| 25 | 572404 | Half-PTO shaft assembly (sprayer end) | 1 | | | | |

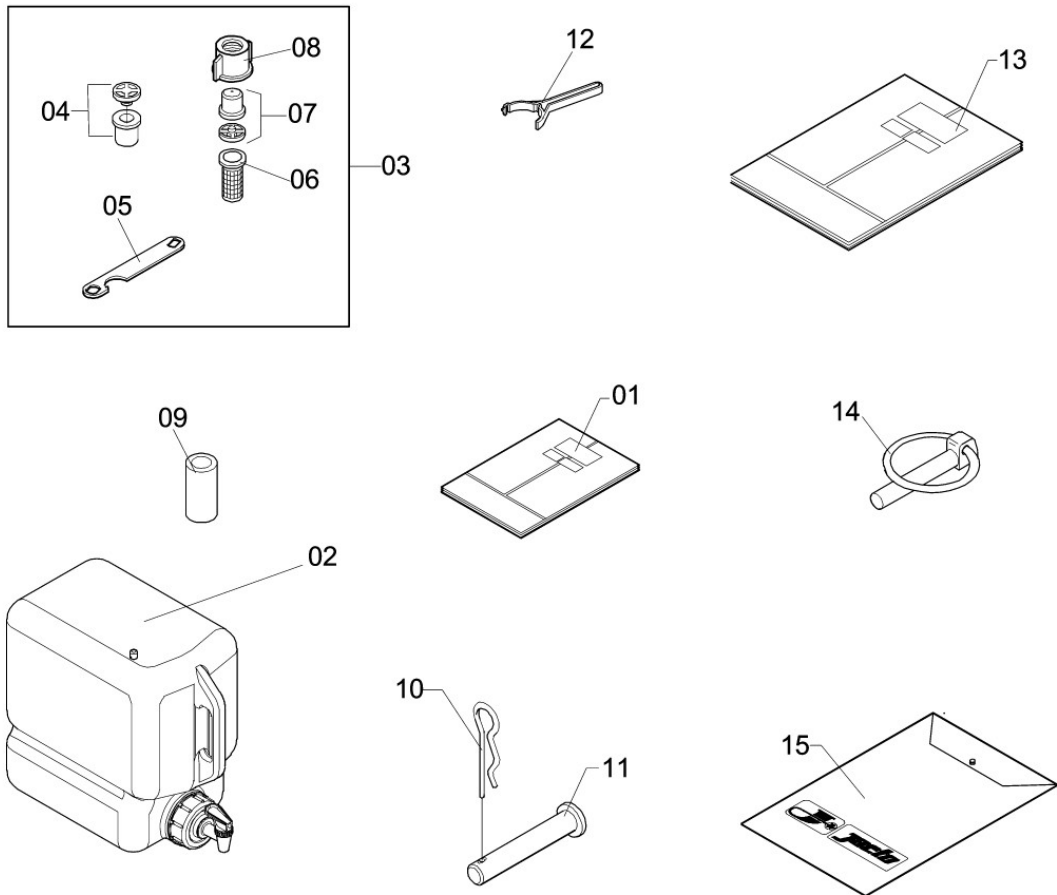
CONTROL "8"



CV-295

| Item | CODE | DESCRIPTION | Qty. | Item | CODE | DESCRIPTION | Qty. |
|------|--------|--|------|------|------|-------------|------|
| 00 | 220632 | Control "8" | 1 | | | | |
| 01 | 220665 | Control body with fitting \varnothing 3/4" | 1 | | | | |
| 02 | 220699 | Pressure gauge extension | 1 | | | | |
| 03 | 220707 | Pressure regulator with quick relief | 1 | | | | |
| 04 | 220756 | Bolt M 8 x 1.25 x 80 | 2 | | | | |
| 05 | 519736 | Lock washer M8 | 4 | | | | |
| 06 | 221648 | Nut M8 x 1.25 - stainless steel | 2 | | | | |
| 07 | 220764 | 4-way valve | 1 | | | | |
| 08 | 013433 | Flat washer | 1 | | | | |
| 09 | 220772 | Setting plate | 1 | | | | |
| 10 | 220780 | Lever with handgrip | 1 | | | | |
| 11 | 414748 | O-ring \varnothing 22 x 1.5 | 2 | | | | |
| 12 | 414763 | Seal seat \varnothing 18 | 3 | | | | |
| 13 | 414771 | Packing ring \varnothing 20 x \varnothing 11 x 3,0 | 3 | | | | |
| 14 | 415919 | Nipple 1/2" BSP x 7/8" UNF | 3 | | | | |
| 15 | 416107 | 4-way valve body | 1 | | | | |
| 16 | 416669 | O-ring OR1-110 | 1 | | | | |
| 17 | 417055 | 4-way valve core | 1 | | | | |
| 18 | 912758 | Hex. nut 5/16" - 18 UNC | 1 | | | | |
| 19 | 507319 | Needle valve for pressure gauge | 1 | | | | |
| 20 | 556092 | Pressure gauge (glycerin-filled) 0 to 16 kgf/cm ² | 1 | | | | |

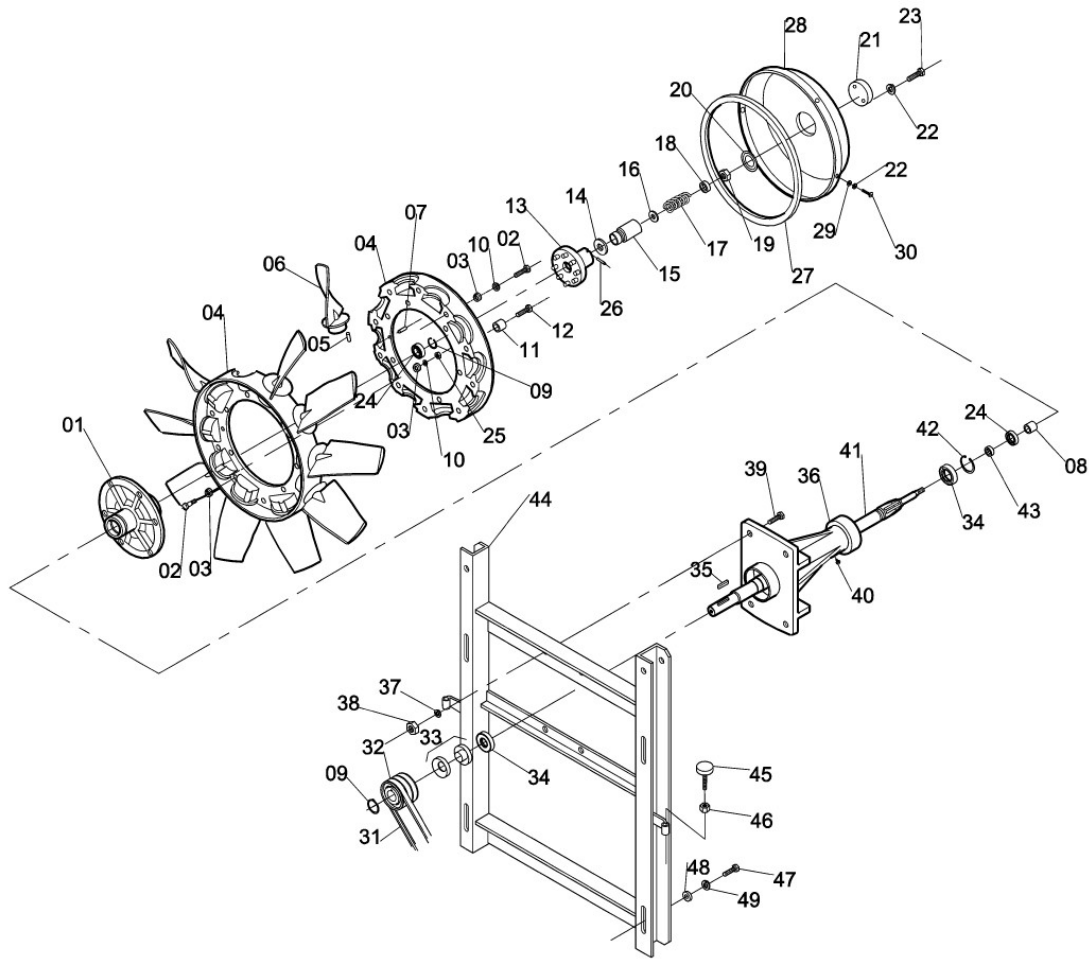
ACCESSORIES BOX FOR ARBUS 270 BD



CXA-157

| Item | CODE | DESCRIPTION | Qty. | Item | CODE | DESCRIPTION | Qty. |
|------|--------|---|------|------|------|-------------|------|
| 00 | 076349 | Accessories box for Arbus 270 BD | 1 | | | | |
| 01 | 158576 | Operator's manual-Chemical container rinse nozzle | 1 | | | | |
| 02 | 299768 | 15-liter tank assembly | 1 | | | | |
| 03 | 388496 | Nozzles composition JA-2/JA-4 | 1 | | | | |
| 04 | 000026 | Cone nozzle JA-2 (black) | 24 | | | | |
| 05 | 436493 | Flat fan nozzle aligner | 1 | | | | |
| 06 | 439083 | Nozzle filter (50 mesh) | 24 | | | | |
| 07 | 454272 | Cone nozzle JA-4 (red) | 24 | | | | |
| 08 | 710590 | Nozzle cap | 24 | | | | |
| 09 | 400325 | Lower coupling pin sleeve | 2 | | | | |
| 10 | 517409 | Cotter pin 3/16" | 1 | | | | |
| 11 | 602912 | Coupling pin 19 x 113 | 1 | | | | |
| 12 | 703694 | Key 40-45 | 1 | | | | |
| 13 | 907212 | Operator's manual Chemical container rinse nozzle (USA) | 1 | | | | |
| 14 | 812636 | Universal lock pin 7/16" | 2 | | | | |
| 15 | 867127 | Plastic folder | 1 | | | | |

DRIVEN TRANSMISSION



TMV-7

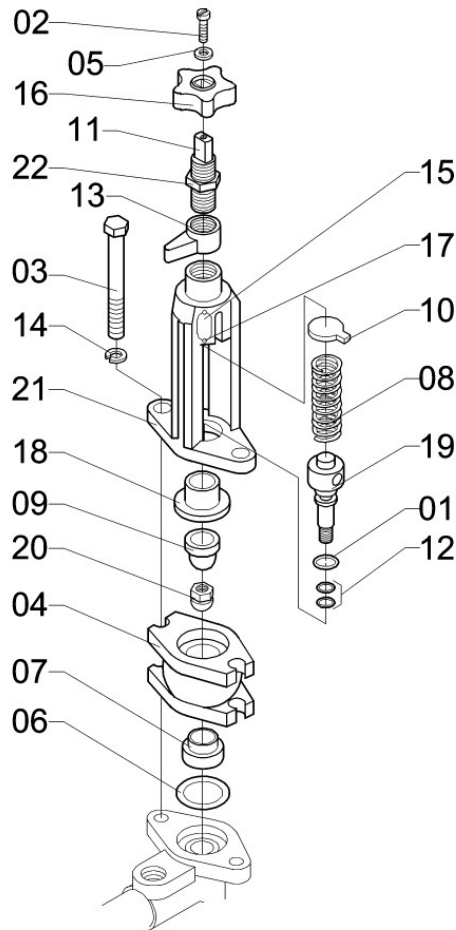
| Item | CODE | DESCRIPTION | Qty. | Item | CODE | DESCRIPTION | Qty. |
|------|--------|--|------|------|--------|--|------|
| 00 | 130658 | Driven transmission | 1 | 26 | 427567 | Flexible pin \varnothing 5 x 32 | 1 |
| 01 | 018481 | Flange hub | 1 | 27 | 018655 | Packing 1015 | 1 |
| 02 | 721704 | Hex. bolt 5/16" UNC 1.1/4" | 16 | 28 | 018648 | Cap | 1 |
| 03 | 013433 | Flat washer | 26 | 29 | 501692 | Flat washer 52 x 120 x 12 | 5 |
| 04 | 642421 | Blade fastening flange assembly | 1 | 30 | 907584 | Screw 3/16" UNC x 5/16" | 5 |
| 05 | 019026 | Pin \varnothing 8.40 x 10 | 10 | 31 | 225961 | Trapezoid belt (HY-T 3V-0630) | 3 |
| 06 | 130666 | Fan blade 620 | 10 | 32 | 222315 | Pulley \varnothing 80 | 1 |
| 07 | 625533 | Flexible pin (heavy) 4 x 24 | 1 | 33 | 429340 | Inner and outer protector | 1 |
| 08 | 232686 | Spacer 51.4 | 1 | 34 | 328062 | Bearing no. 6207 SKF | 2 |
| 09 | 203067 | Snap ring for shaft \varnothing 35 | 2 | 35 | 015305 | Square key 5/16" x 30 | 1 |
| 10 | 519736 | Lock washer M8 | 16 | 36 | 820324 | Pillow block body | 1 |
| 11 | 937607 | Bushing \varnothing 17.6 x 16 | 8 | 37 | 908566 | Lock washer \varnothing 3/8" | 8 |
| 12 | 939140 | Screw M6 x 16 | 8 | 38 | 518761 | Hex. nut \varnothing 3/8" | 4 |
| 13 | 018713 | Grooved hub with pins | 1 | 39 | 518753 | Bolt 3/8" - 16 UNC x 1.1/4" | 4 |
| 14 | 011643 | O-ring ORI-129 | 1 | 40 | 430652 | Bearing breather | 1 |
| 15 | 201103 | Coupling hub | 1 | 41 | 222208 | Shaft 435 | 1 |
| 16 | 881243 | Flat washer 170 x 300 x 19 | 1 | 42 | 429563 | Snap ring for hole \varnothing 72 | 1 |
| 17 | 204537 | Compression spring | 1 | 43 | 222224 | Bushing | 1 |
| 18 | 425892 | Spring seat ring | 1 | 44 | 222232 | Moving frame | 1 |
| 19 | 108787 | Nut DODI-LOC \varnothing 1/2" - 13 UNC | 1 | 45 | 941948 | Tightening screw \varnothing 1/2" - 13 UNC | 2 |
| 20 | 939223 | Packing ring | 1 | 46 | 326280 | Nut \varnothing 1/2" UNC | 2 |
| 21 | 201087 | Disc \varnothing 70 | 1 | 47 | 427369 | Screw \varnothing 3/8" UNC (stainless) | 4 |
| 22 | 520676 | Lock washer M5 | 7 | 48 | 422436 | Flat washer 104 x 254 x 19 | 4 |
| 23 | 202853 | Screw \varnothing 3/16" UNC x 1/2" | 2 | 49 | 908566 | Lock washer \varnothing 3/8" | 4 |
| 24 | 202549 | Fixed bearing | 2 | 50 | 157149 | Fan bearing with pulley | 1 |
| 25 | 912758 | Hex. nut 5/16" - 18 UNC | 16 | | 018705 | Sticker: "Fan lock instructions" | 1 |

DRIVEN TRANSMISSION

Continuation

| Item | CODE | DESCRIPTION | Qty. | Item | CODE | DESCRIPTION | Qty. |
|------|--------|--------------|------|------|------|-------------|------|
| | 222216 | Sticker: 620 | 1 | | | | |

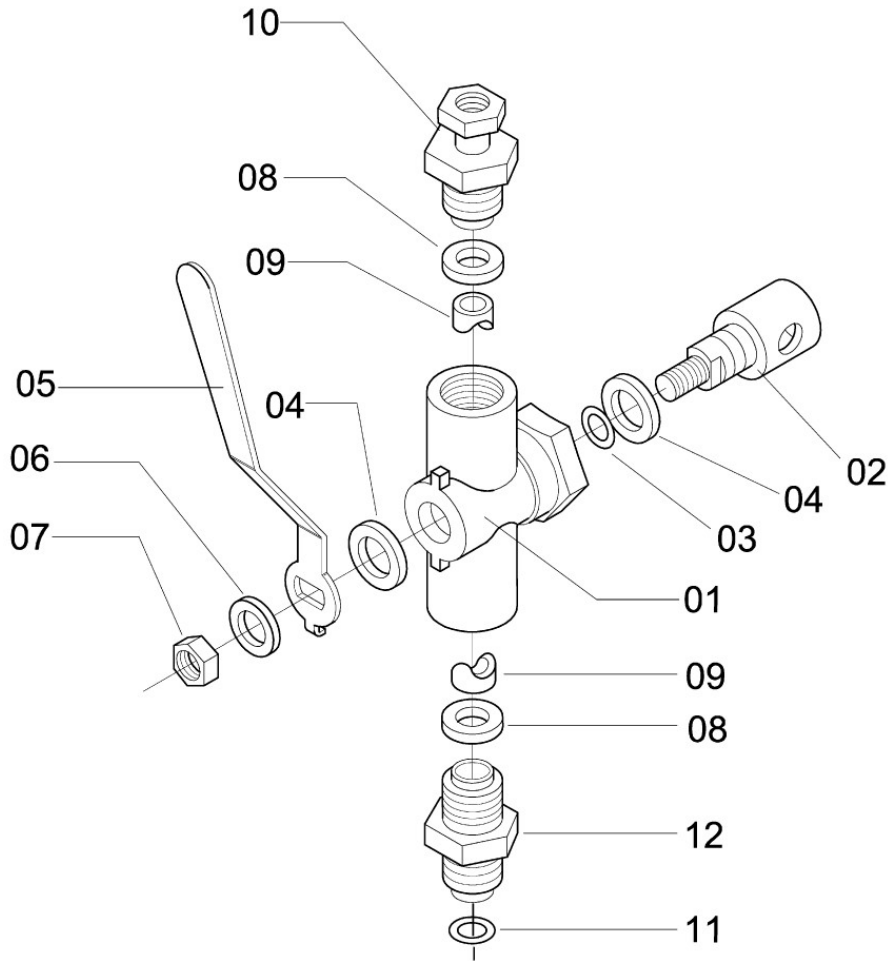
PRESSURE REGULATOR WITH QUICK RELIEF



CV-296

| Item | CODE | DESCRIPTION | Qty. | Item | CODE | DESCRIPTION | Qty. |
|------|--------|--------------------------------------|------|------|------|-------------|------|
| 00 | 220707 | Pressure regulator with quick relief | 1 | | | | |
| 01 | 011676 | O-ring OR1-111 | 1 | | | | |
| 02 | 100198 | Screw M-4 x 10 x 0.7 | 1 | | | | |
| 03 | 220756 | Bolt M 8 x 1.25 x 80 | 2 | | | | |
| 04 | 241885 | Regulator body | 1 | | | | |
| 05 | 314799 | Flat washer 54 x 150 x 12.4 | 1 | | | | |
| 06 | 328963 | O-ring OR1-212 | 1 | | | | |
| 07 | 329029 | Valve seat | 1 | | | | |
| 08 | 329052 | Compression spring ø 2.1 x 80 | 1 | | | | |
| 09 | 329060 | Diaphragm | 1 | | | | |
| 10 | 329128 | Indicator plate | 1 | | | | |
| 11 | 329136 | Adjusting screw | 1 | | | | |
| 12 | 417709 | O-ring OR1 -012 | 2 | | | | |
| 13 | 508481 | Lock nut 1/2" - 20 UNF | 1 | | | | |
| 14 | 519736 | Lock washer M8 | 2 | | | | |
| 15 | 535906 | Calibrated plate | 1 | | | | |
| 16 | 610089 | Knob | 1 | | | | |
| 17 | 728246 | Round-headed rivet | 2 | | | | |
| 18 | 831578 | Pin guide | 1 | | | | |
| 19 | 831586 | Spring guide pin | 1 | | | | |
| 20 | 831594 | Valve ø 19 | 1 | | | | |
| 21 | 833012 | Pressure regulator cylinder | 1 | | | | |
| 22 | 907642 | Nut 1/2" - 20 UNF | 1 | | | | |

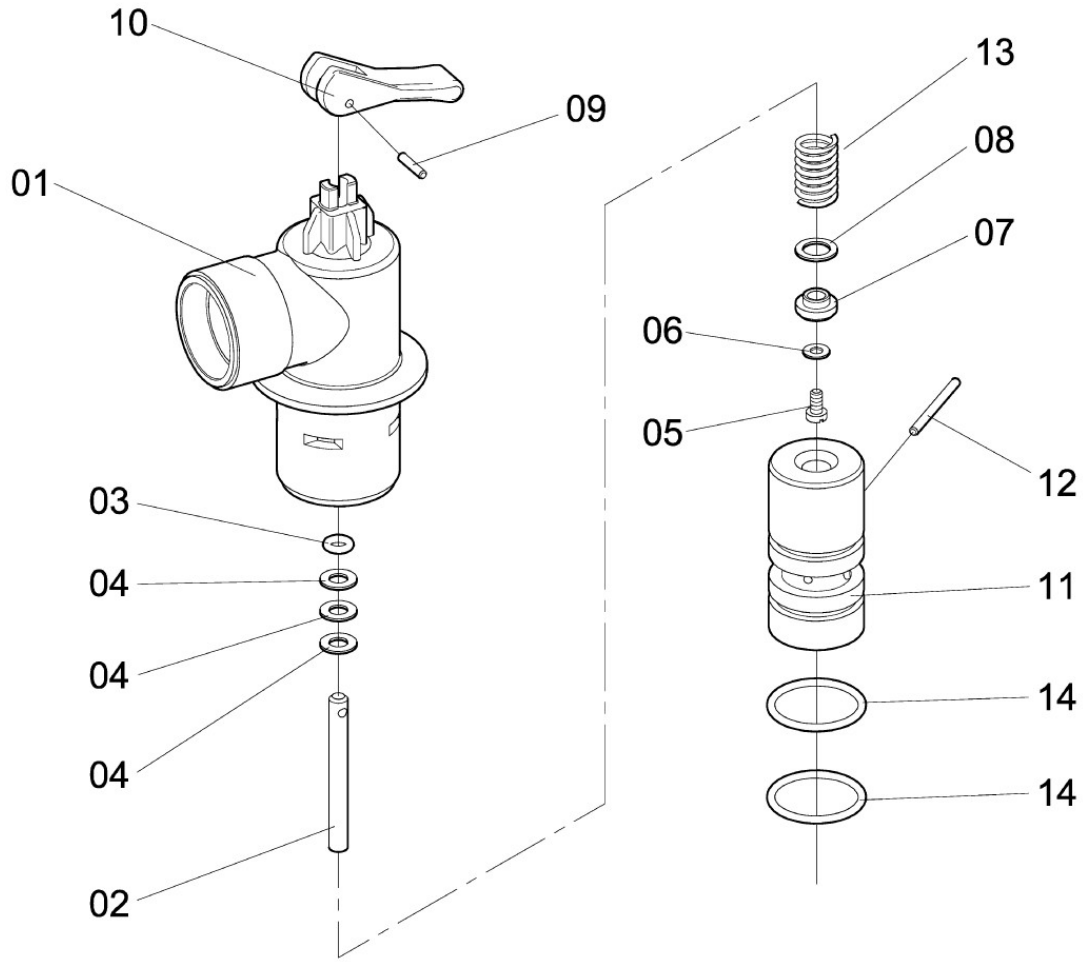
2-WAY VALVE



CV-38

| Item | CODE | DESCRIPTION | Qty. | Item | CODE | DESCRIPTION | Qty. |
|------|--------|------------------------------------|------|------|------|-------------|------|
| 00 | 220798 | 2-way valve | 1 | | | | |
| 01 | 421180 | Valve body | 1 | | | | |
| 02 | 420679 | 2-way valve core | 1 | | | | |
| 03 | 416669 | O-ring OR1-110 | 1 | | | | |
| 04 | 414748 | O-ring \varnothing 22 x 1.5 | 2 | | | | |
| 05 | 420729 | Lever | 1 | | | | |
| 06 | 013433 | Flat washer | 1 | | | | |
| 07 | 912758 | Hex. nut 5/16" - 18 UNC | 1 | | | | |
| 08 | 414771 | O-ring \varnothing 20 x 11 x 3.0 | 2 | | | | |
| 09 | 414763 | Seal seat \varnothing 18 | 2 | | | | |
| 10 | 220806 | Fitting 7/8" UNF | 1 | | | | |
| 11 | 011676 | O-ring OR1-111 | 2 | | | | |
| 12 | 415919 | Nipple 1/2" BSP x 7/8" UNF | 1 | | | | |

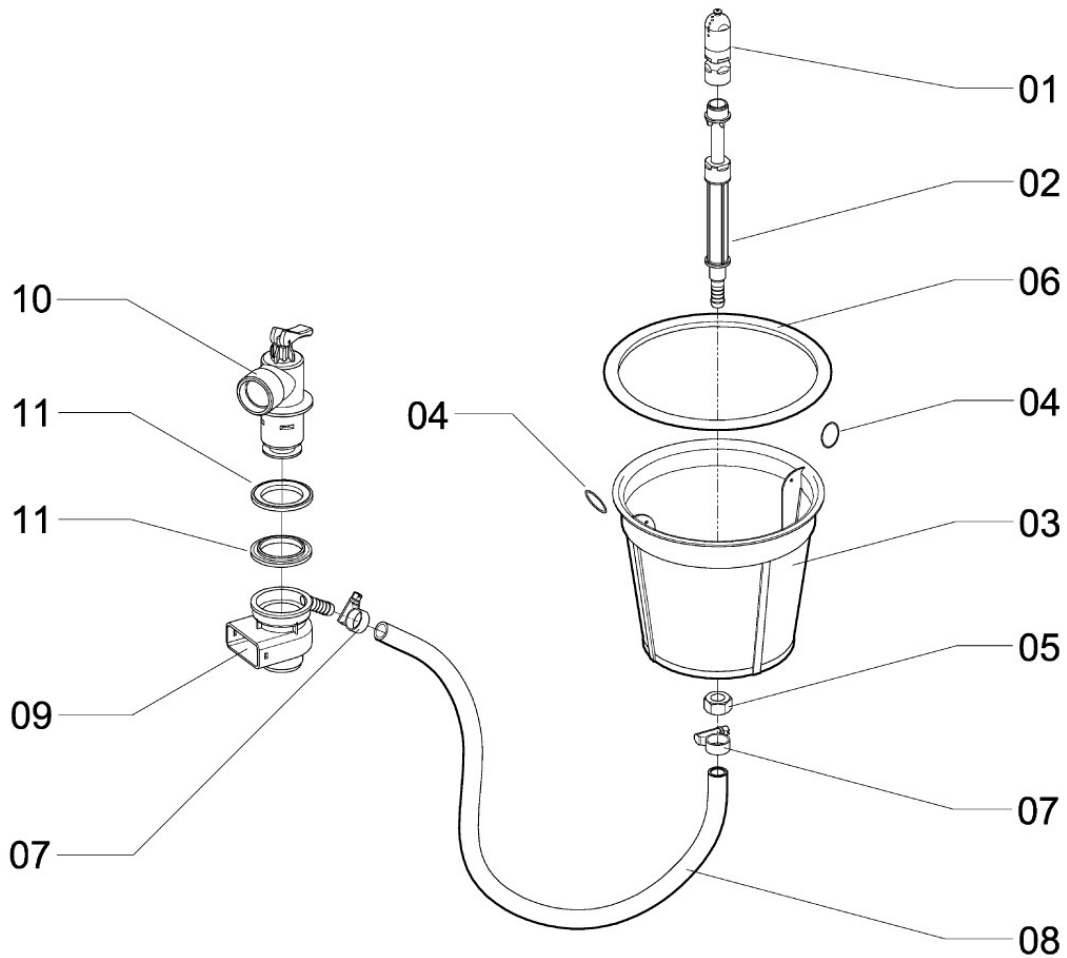
VALVE - CHEMICAL CONTAINER RINSE NOZZLE



CV-108

| Item | CODE | DESCRIPTION | Qty. | Item | CODE | DESCRIPTION | Qty. |
|------|--------|---|------|------|------|-------------|------|
| 00 | 136879 | Valve - chemical container rinse nozzle | 1 | | | | |
| 01 | 054403 | Valve body | 1 | | | | |
| 02 | 049841 | Spring guide pin | 1 | | | | |
| 03 | 050237 | O-ring OR2-108 | 1 | | | | |
| 04 | 050195 | Flat washer 64 x 125 x 95 stainless steel | 3 | | | | |
| 05 | 050211 | Screw M4 x 8 | 1 | | | | |
| 06 | 050187 | Flat washer 43 x 90 x 8 | 1 | | | | |
| 07 | 048199 | Seal | 1 | | | | |
| 08 | 050203 | Flat washer 94 x 142 x 95 | 1 | | | | |
| 09 | 049858 | Lever pin | 1 | | | | |
| 10 | 054445 | Rinse nozzle lever | 1 | | | | |
| 11 | 136853 | Valve core | 1 | | | | |
| 12 | 136861 | Lock pin | 1 | | | | |
| 13 | 044057 | Compression spring 12.7 | 1 | | | | |
| 14 | 011668 | O-ring OR1-122 | 2 | | | | |

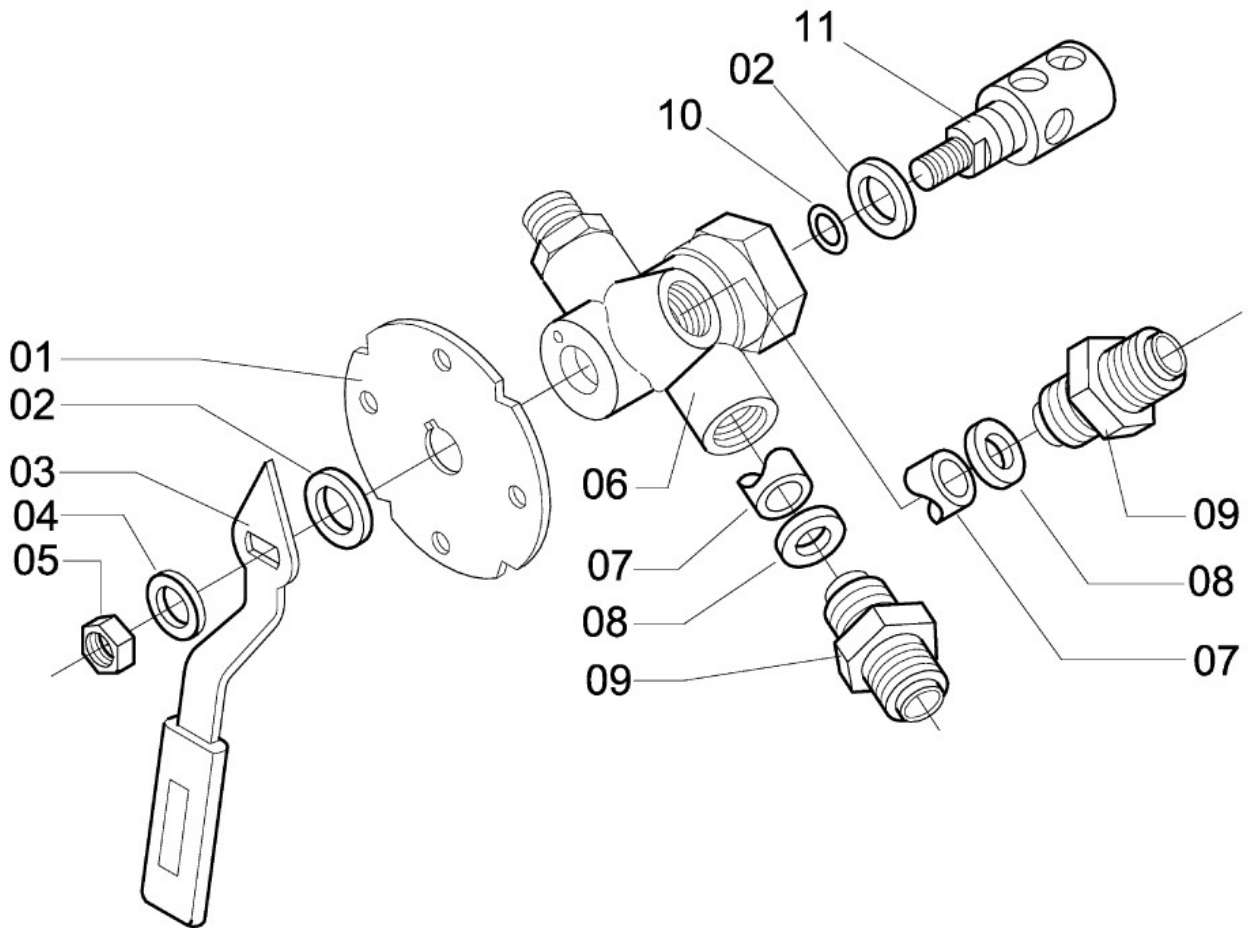
CHEMICAL CONTAINER RINSE NOZZLE KIT



KIT-29

| Item | CODE | DESCRIPTION | Qty. | Item | CODE | DESCRIPTION | Qty. |
|------|--------|---|------|------|------|-------------|------|
| 00 | 136648 | Chemical container rinse nozzle kit | 1 | | | | |
| 01 | 071944 | Rinse nozzle | 1 | | | | |
| 02 | 088237 | Chemical container rinse nozzle rod | 1 | | | | |
| 03 | 061788 | Strainer 190-2T | 1 | | | | |
| 04 | 622969 | Double ring \varnothing 22 x 26 x 3 | 2 | | | | |
| 05 | 938498 | Hex. nut M16 x 2.00 | 1 | | | | |
| 06 | 516393 | Strainer packing ring | 1 | | | | |
| 07 | 107664 | Clamp D14-22 - stainless steel | 2 | | | | |
| 08 | 071886 | Hose 12.7 (1/2") x 600 | 1 | | | | |
| 09 | 054411 | Valve fastener | 1 | | | | |
| 10 | 136879 | Valve - chemical container rinse nozzle | 1 | | | | |
| 11 | 088245 | Packing ring | 2 | | | | |

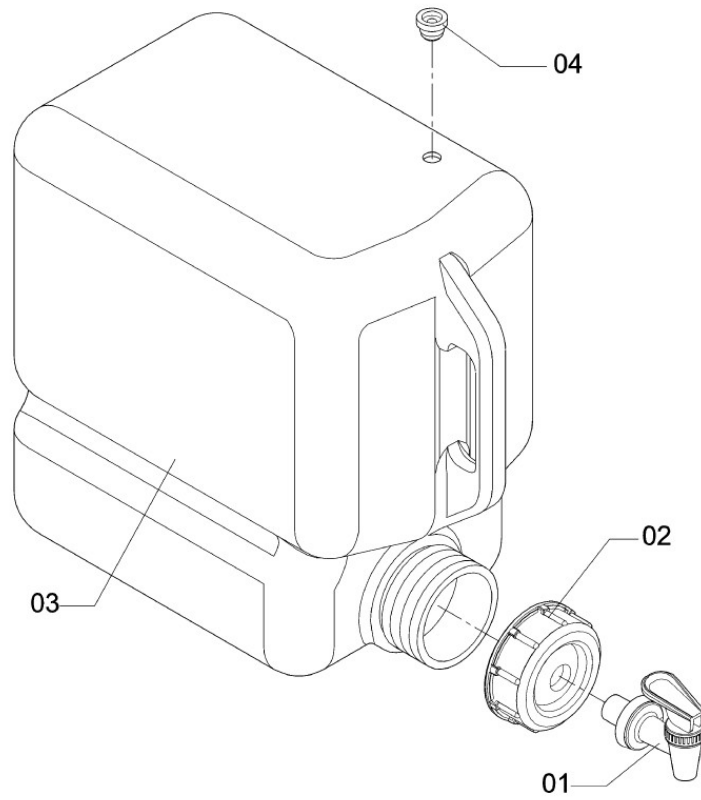
4-WAY VALVE



CV-36

| Item | CODE | DESCRIPTION | Qty. | Item | CODE | DESCRIPTION | Qty. |
|------|--------|------------------------------------|------|------|------|-------------|------|
| 00 | 220764 | 4-way valve | 1 | | | | |
| 01 | 220772 | Setting plate | 1 | | | | |
| 02 | 414748 | O-ring \varnothing 22 x 1.5 | 1 | | | | |
| 03 | 220780 | Lever with handgrip | 1 | | | | |
| 04 | 013433 | Flat washer | 1 | | | | |
| 05 | 912758 | Hex. nut 5/16" - 18 UNC | 1 | | | | |
| 06 | 416107 | 4-way valve body | 1 | | | | |
| 07 | 414763 | Seal seat \varnothing 18 | 2 | | | | |
| 08 | 414771 | O-ring \varnothing 20 x 11 x 3.0 | 2 | | | | |
| 09 | 415919 | Nipple 1/2" BSP x 7/8" UNF | 2 | | | | |
| 10 | 416669 | O-ring OR1-110 | 1 | | | | |
| 11 | 417055 | 4-way valve core | 1 | | | | |

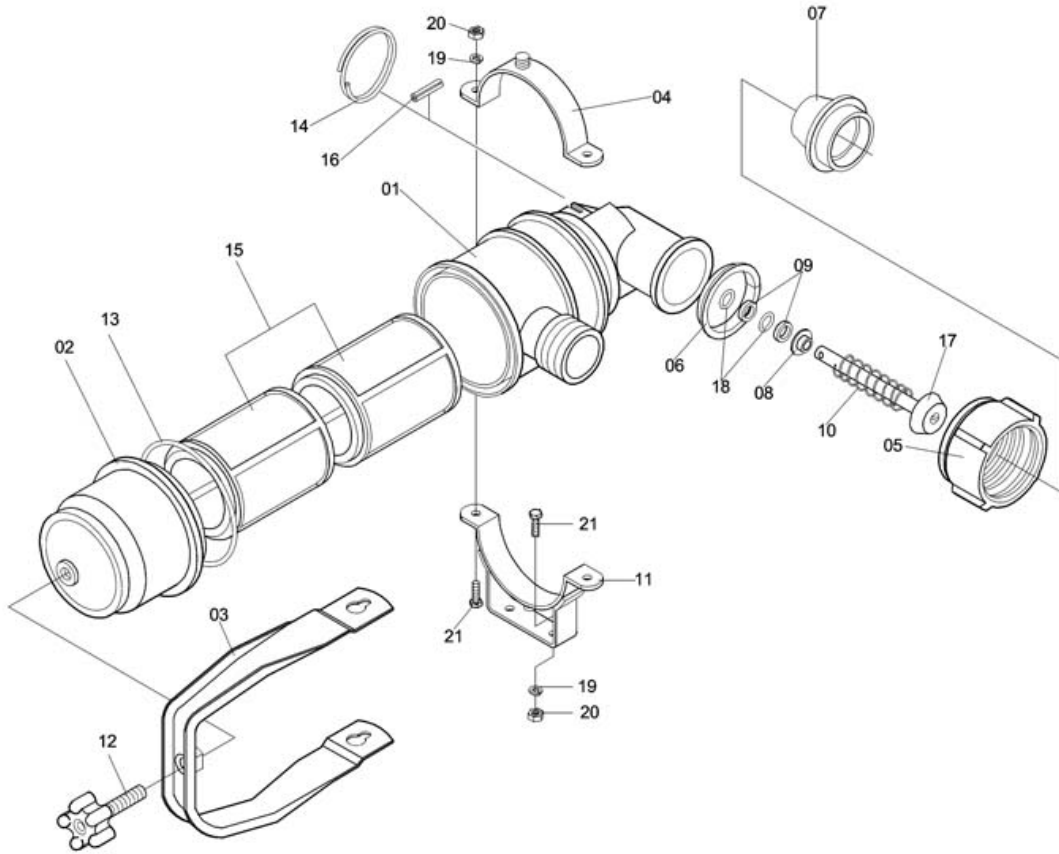
15-LITER TANK ASSEMBLY



D-73

| Item | CODE | DESCRIPTION | Qty. | Item | CODE | DESCRIPTION | Qty. |
|------|--------|---------------------------|------|------|------|-------------|------|
| 00 | 299768 | 15-liter tank assembly | 1 | | | | |
| 01 | 044180 | Plastic tap 23 x 3/8" BSP | 1 | | | | |
| 02 | 247262 | Cover | 1 | | | | |
| 03 | 299875 | 15 liter tank | 1 | | | | |
| 04 | 398594 | Breather | 1 | | | | |

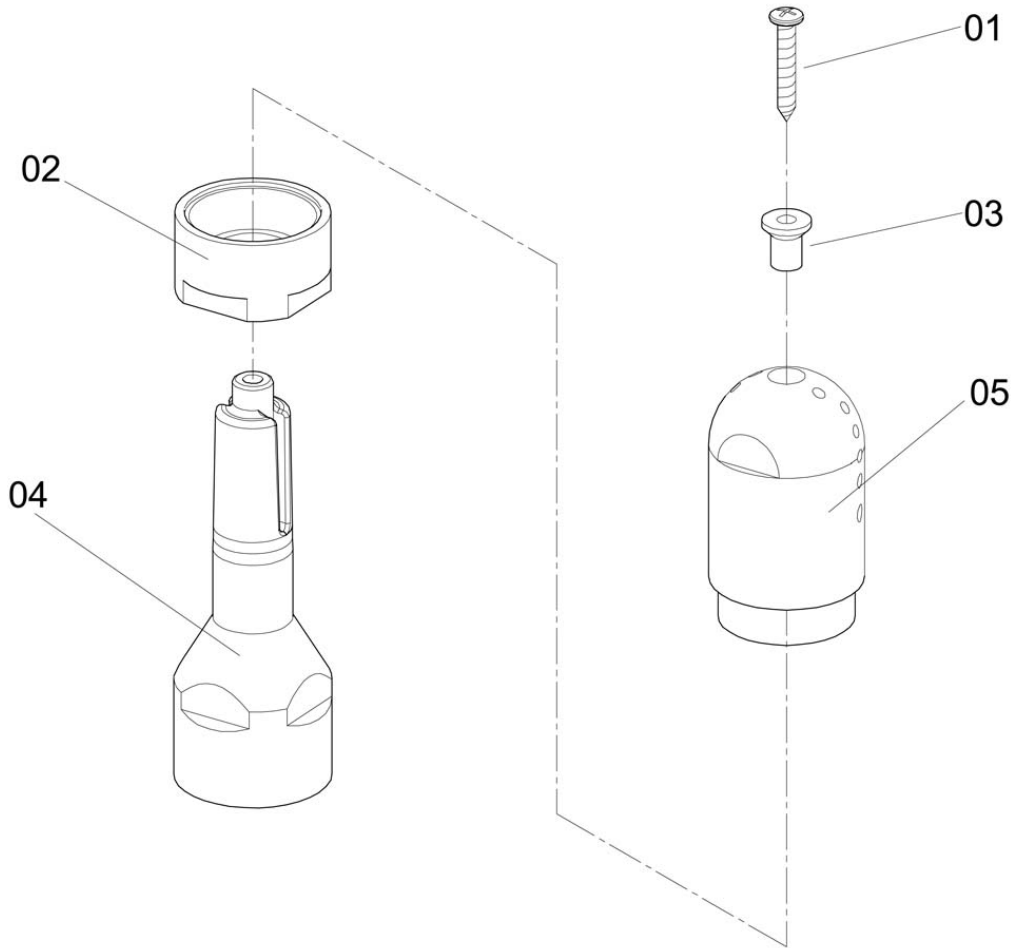
FILTER FVS-100



F-38

| Item | CODE | DESCRIPTION | Qty. | Item | CODE | DESCRIPTION | Qty. |
|------|--------|---|------|------|------|-------------|------|
| 00 | 005777 | Filter FVS-100 | 1 | | | | |
| 01 | 005785 | Filter body | 1 | | | | |
| 02 | 005793 | Filter cover | 1 | | | | |
| 03 | 005827 | Filter handle | 1 | | | | |
| 04 | 005850 | Half-strap | 1 | | | | |
| 05 | 005900 | Coupling nut filter | 1 | | | | |
| 06 | 005918 | Locking ring | 1 | | | | |
| 07 | 005934 | Valve seat | 1 | | | | |
| 08 | 005967 | Spring seat | 1 | | | | |
| 09 | 005975 | Spacer washer | 2 | | | | |
| 10 | 006148 | Compression spring | 1 | | | | |
| 11 | 010967 | Half-strap with support | 1 | | | | |
| 12 | 011734 | Bolt with knob | 1 | | | | |
| 13 | 012138 | O-ring ORI - 241 | 1 | | | | |
| 14 | 012146 | Ring \varnothing 40 | 1 | | | | |
| 15 | 012492 | Double filtering element | 1 | | | | |
| 16 | 105288 | Flexible pin \varnothing 4 x 20 (heavy) | 1 | | | | |
| 17 | 110817 | Valve | 1 | | | | |
| 18 | 416669 | O-ring OR1-110 | 2 | | | | |
| 19 | 521666 | Lock washer M6 | 4 | | | | |
| 20 | 730309 | Hex. nut M6 x 1.00 - Steel | 4 | | | | |
| 21 | 810697 | Bolt M6 x 1 x 20 | 4 | | | | |

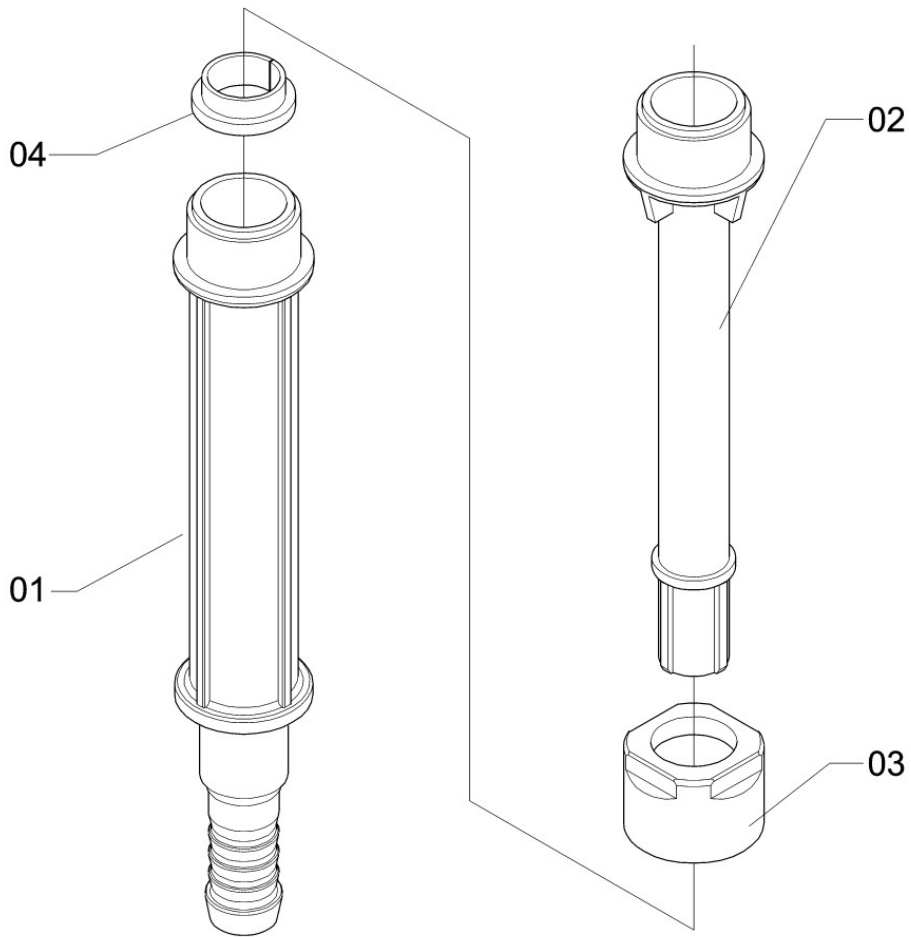
RINSE NOZZLE



KIT-75

| Item | CODE | DESCRIPTION | Qty. | Item | CODE | DESCRIPTION | Qty. |
|------|--------|---------------|------|------|------|-------------|------|
| 00 | 071944 | Rinse nozzle | 1 | | | | |
| 01 | 483628 | Bolt 2.9 x 22 | 1 | | | | |
| 02 | 059055 | Nozzle nut | 1 | | | | |
| 03 | 061119 | Bushing | 1 | | | | |
| 04 | 058909 | Nozzle core | 1 | | | | |
| 05 | 060426 | Nozzle body | 1 | | | | |

CHEMICAL CONTAINER RINSE NOZZLE ROD

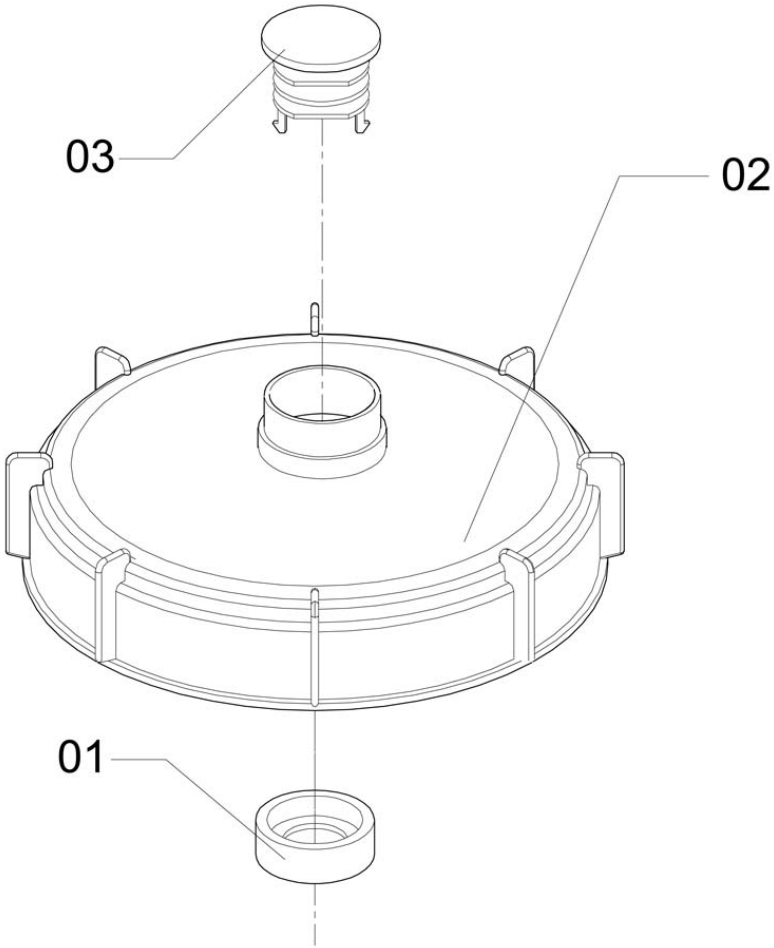


KIT-76

| Item | CODE | DESCRIPTION | Qty. |
|------|--------|-------------------------------------|------|
| 00 | 088237 | Chemical container rinse nozzle rod | 1 |
| 01 | 058834 | Nozzle rod | 1 |
| 02 | 083907 | Rod extension | 1 |
| 03 | 087882 | Extension nut | 1 |
| 04 | 134221 | Lock ring | 1 |

| Item | CODE | DESCRIPTION | Qty. |
|------|------|-------------|------|
| | | | |
| | | | |
| | | | |
| | | | |

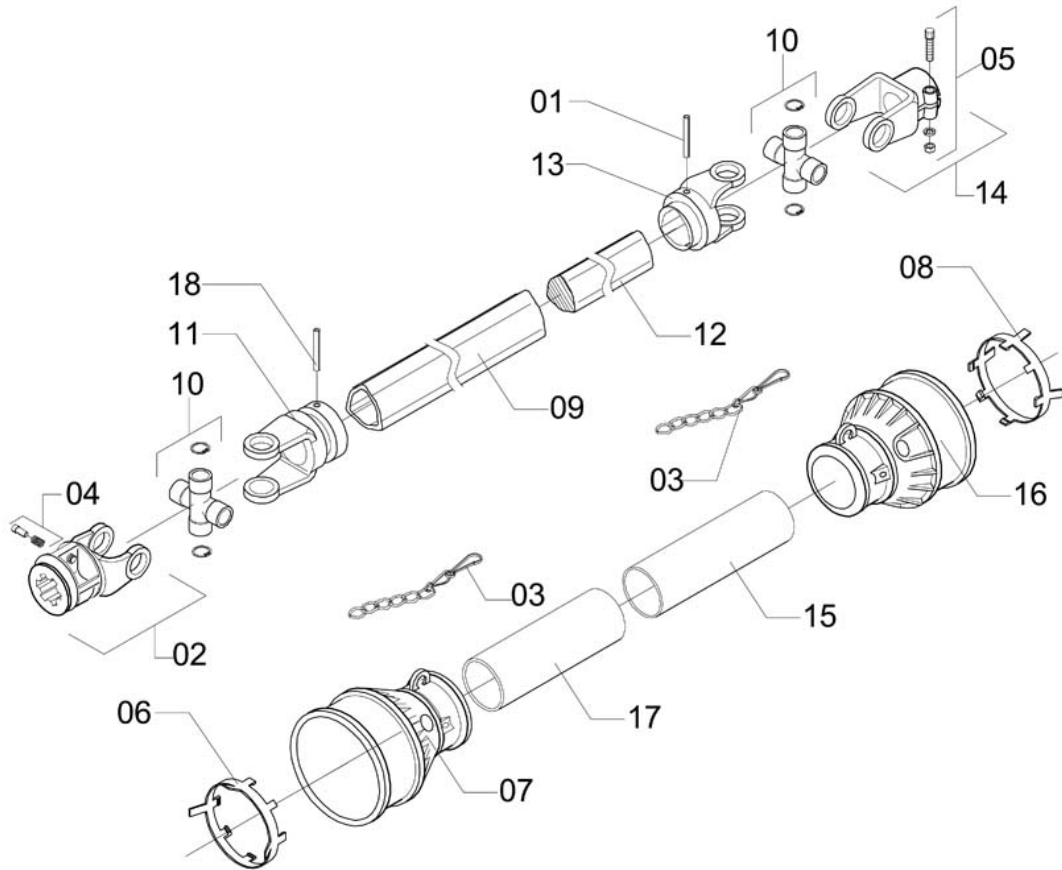
LID WITH BREATHER



D-101

| Item | CODE | DESCRIPTION | Qty. | Item | CODE | DESCRIPTION | Qty. |
|------|--------|-------------------|------|------|------|-------------|------|
| 00 | 037374 | Lid with breather | 1 | | | | |
| 01 | 088419 | Labyrinth lock | 1 | | | | |
| 02 | 233965 | Spray tank lid | 1 | | | | |
| 03 | 088427 | Labyrinth | 1 | | | | |

PTO SHAFT 510 (Z=6 X 0 30)



CN-30

| Item | CODE | DESCRIPTION | Qty. | Item | CODE | DESCRIPTION | Qty. |
|------|--------|--|------|------|------|-------------|------|
| 00 | 558916 | PTO shaft 510 (z=6 X 0 30) | 1 | | | | |
| 01 | 207449 | Flexible pin ø 8 x 55 | 1 | | | | |
| 02 | 207589 | Coupling end with lock - tractor end (1.3/8"Z=6) | 1 | | | | |
| 03 | 457127 | Chain | 2 | | | | |
| 04 | 210641 | Lock with spring | 1 | | | | |
| 05 | 457192 | Bolt and nut | 1 | | | | |
| 06 | 643510 | Shield lock | 1 | | | | |
| 07 | 643676 | Cross shield (PTO end) | 1 | | | | |
| 08 | 643569 | Shield lock | 1 | | | | |
| 09 | 643783 | Female tube | 1 | | | | |
| 10 | 643411 | Cross | 2 | | | | |
| 11 | 952761 | Internal coupling end - tractor end | 1 | | | | |
| 12 | 643791 | Male tube | 1 | | | | |
| 13 | 952753 | Internal coupling end - sprayer end | 1 | | | | |
| 14 | 643502 | Coupling end (sprayer end) | 1 | | | | |
| 15 | 643817 | Male tube shield | 1 | | | | |
| 16 | 643700 | Cross shield (sprayer end) | 1 | | | | |
| 17 | 643809 | Female tube shield | 1 | | | | |
| 18 | 912626 | Flexible pin | 1 | | | | |