

ARBUS 2000

English version

EDITION - 06/2007

CODE - 979131

Parts catalog



MÁQUINAS AGRÍCOLAS JACTO S.A.

Rua Dr. Luiz Miranda, 1650

17580-000 - Pompéia - SP - Brasil

Tel.: +55 14 3405-2100 - Fax: +55 14 3452 1306

E-mail: export@jacto.com.br

Home page: <http://www.jacto.com.br>

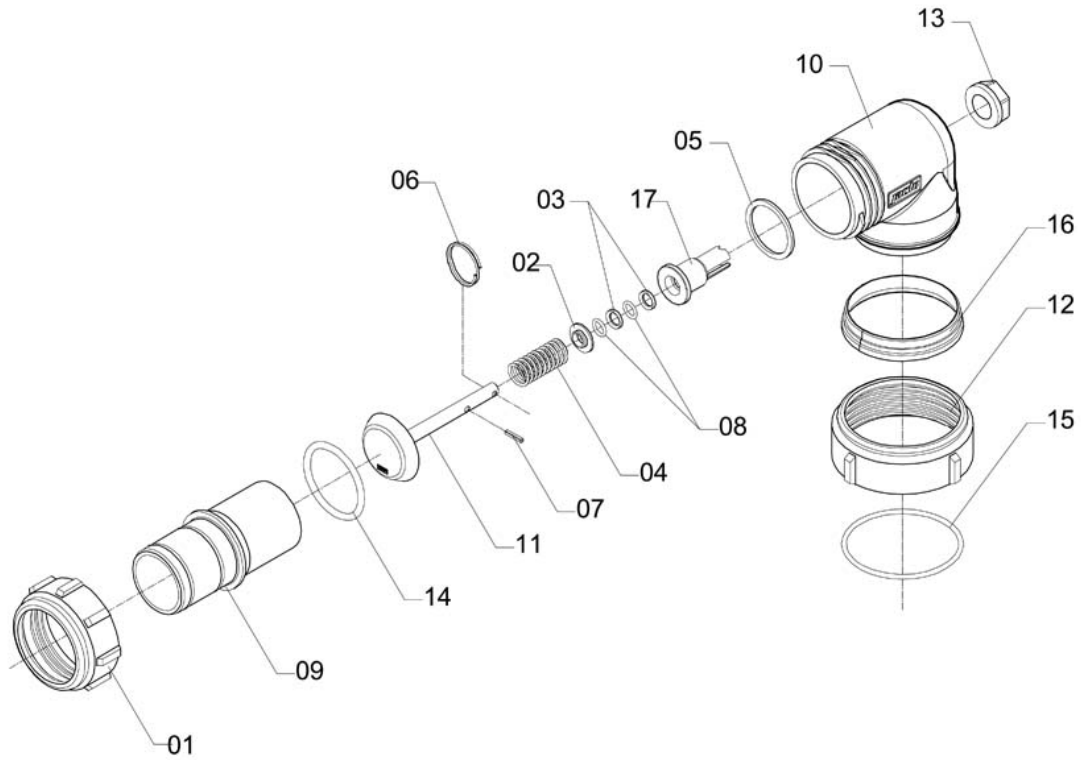
ARBUS 2000

EQUIPMENT	PAGE
ARBUS 2000 VA 300 W/O VOLUTE NO SENSOR.....	4

ARBUS 2000 VA 300 W/O VOLUTE NO SENSOR (CODE: 582304)

ENTIRE ASSEMBLIES	PAGE
2,000-LITER TANK	33
ACCESSORIES BOX "A-2000 VA/300 " S/EJ J53/J62	22
ACTUATOR HOLDER ASSEMBLY	23
ADJUSTABLE AXLE Nº 13	40
APPLICATION ASSEMBLY	6
BEARING NO. 31	28
CHEMICAL CIRCUIT	8
CHEMICAL CONTAINER RINSE NOZZLE KIT	34
CHEMICAL CONTAINER RINSE NOZZLE ROD	46
CONE NOZZLE J4-2	41
CONTROL (RELIEF/PRESSURE REGULATOR VALVE)	12
DIRECTIONAL VALVE	30
DOUBLE NOZZLE HOLDER	18
DRIVE TRANSMISSION AND COMPLEMENTS	27
DRIVEN TRANSMISSION	10
FAN ASSEMBLY	29
FLEXIBLE CABLE WITH COUPLING END	36
FLEXIBLE COUPLING 9	24
JACK NO. 10	25
JP-300 PISTON PUMP	16
MECHANICAL AGITATOR 2005 - 02	26
REAR BUMPER	31
RINSE NOZZLE	45
SPACER 15	44
SPRAY CONTROL ACTUATOR	35
STICKER: "ARBUS 200 SE"	42
STICKER: "ARBUS VALÊNCIA"	43
STICKERS LAYOUT FOR ARBUS 2000	14
SUCTION FILTER FVS-200	39
SUCTION FILTER VALVE	5
TIGHTENING PULLEY ASSEMBLY 78 (SHAFT Ø 15 X 50,5)	32
TRAILER ASSEMBLY	19 20
TRAILER HITCH NO. 8	37
WIDE ANGLE CV PTO SHAFT	21

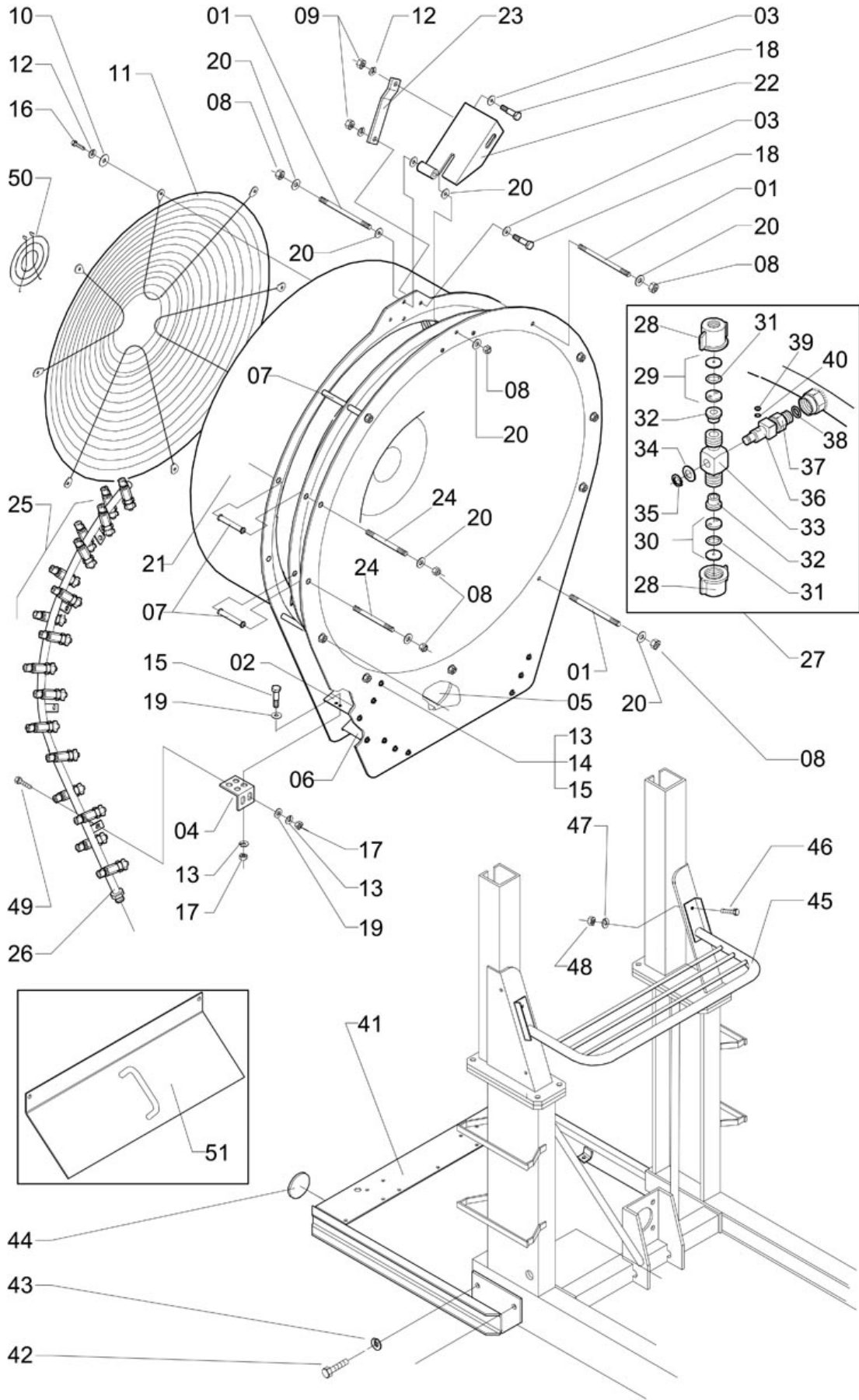
SUCTION FILTER VALVE



CV-308

Item	CODE	DESCRIPTION	Qty.	Item	CODE	DESCRIPTION	Qty.
00	590729	Suction filter valve	1				
01	005900	Coupling nut filter	1				
02	005967	Spring seat	1				
03	005975	Spacer washer	2				
04	006148	Compression spring	1				
05	010827	Packing ring \varnothing 29 x 22 x 3	1				
06	012146	Ring \varnothing 40	1				
07	105288	Flexible pin \varnothing 4 x 20 (heavy)	1				
08	416669	O-ring OR1-110	2				
09	534412	Hose fitting \varnothing 2"	1				
10	534420	Valve body	1				
11	534438	Valve	1				
12	534453	Union nut	1				
13	537423	Nut \varnothing 1/2" BSP	1				
14	588913	O-ring OR-330	1				
15	592709	Packing ring OR1-233	1				
16	593673	Lock ring	1				
17	615021	Valve guide	1				

APPLICATION ASSEMBLY



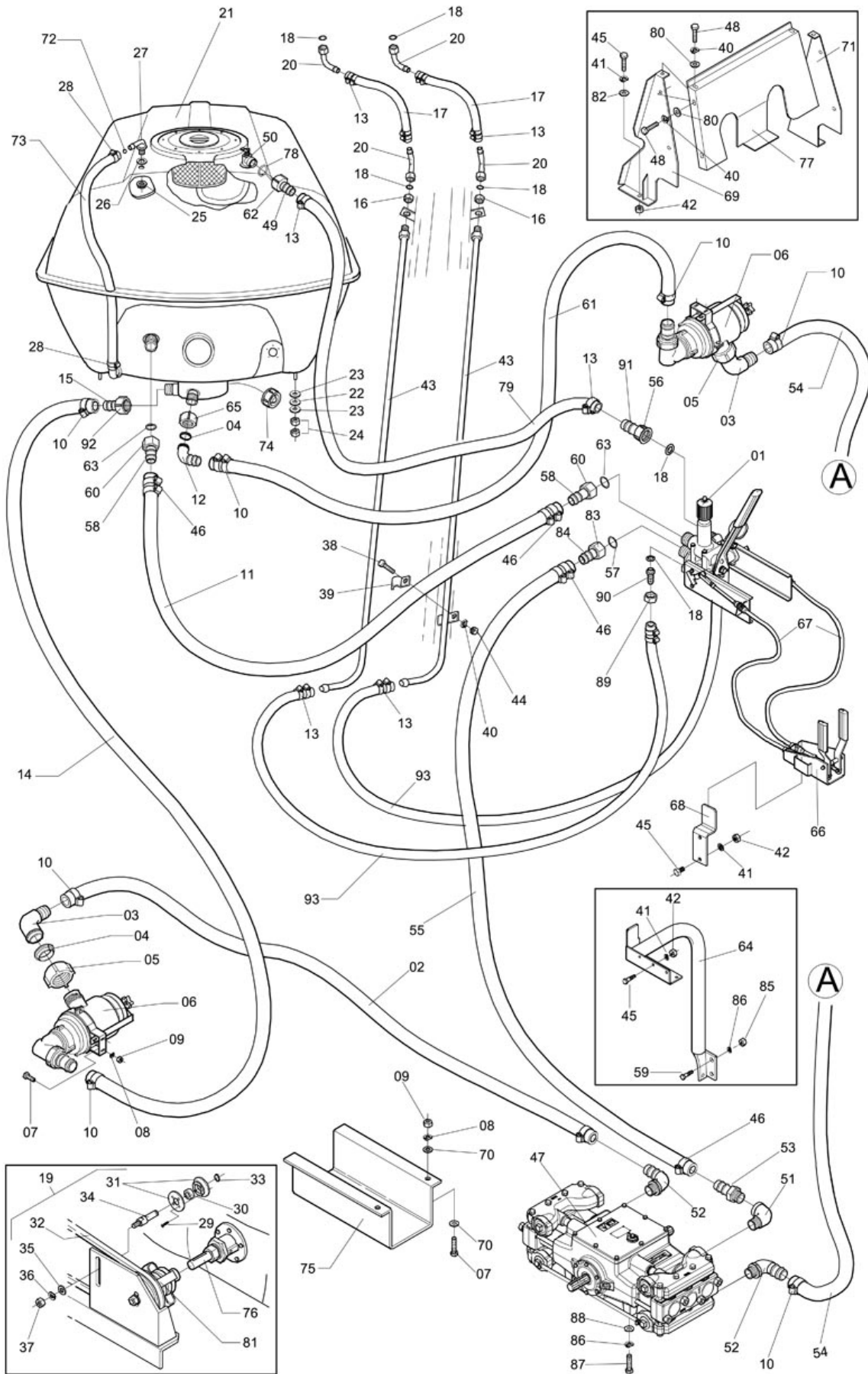
CA-186

APPLICATION ASSEMBLY

Continuation

Item	CODE	DESCRIPTION	Qty.	Item	CODE	DESCRIPTION	Qty.
00	747691	Application assembly	1				
01	204750	Stud bolt ø 3/8" x 245	10				
02	237974	Vane 2	2				
03	013433	Flat washer	4				
04	243436	Nozzle branch bracket	2				
05	243485	Vane 1	2				
06	243626	Adjustable flap	2				
07	325050	Spacer bushing 95	24				
08	354464	Nut parlock 3/8" - 16 UNC	24				
09	221648	Nut M8 x 1.25 - stainless steel	4				
10	420281	Flat washer 82 x 350 x 30	8				
11	430942	Fan Guard Screem.	1				
12	519736	Lock washer M8	12				
13	521666	Lock washer M6	42				
14	810689	Hex. nut M6 x 1.00	28				
15	919084	Bolt M6 x 28 x 0.1	28				
16	820282	Bolt ø 5/6" - 18 UNC x 1.3/4"	8				
17	730309	Nut M-6 x 1.00 - stainless steel	14				
18	829382	Hex head bolt M8 x 25 x 1.25	4				
19	712554	Flat washer 70 x 180 x 12,4	14				
20	623884	Flat washer 105 x 210 x 20	24				
21	977884	Deflector 2P	1				
22	204560	Adjustable flap	2				
23	427971	Support body	2				
24	327866	Stud bolt 3/8" - 16 UNC 145	2				
25	747634	Right nozzle branch assembly	1				
25A	747642	Left nozzle branch assembly	1				
26	747618	Right nozzle branch	1				
26A	747626	Left nozzle branch	1				
27	340802	Double nozzle holder	44				
28	710590	Nozzle cap	88				
29	325431	Cone nozzle J5-2	44				
30	327494	Cone nozzle J6-3	44				
31	913335	Packing ring	88				
32	330928	Nozzle seat	88				
33	340810	Double nozzle holder	44				
34	340836	Wavy washer	44				
35	340844	Snap ring for shaft ø 10	44				
36	454991	Nozzle holder support 51.5	44				
37	441154	Nut ø 1/4" BSP - 18 F.P.P.	44				
38	120097	O-ring ORI - 013	44				
39	340828	Seal	44				
40	340851	O-ring OR2 - 201	44				
41	941971	Rear bumper	1				
42	546622	Bolt ø 5/8" - 11 UNC x 1.3/4"	4				
43	764142	Lock washer M16	4				
44	280263	"Arbus Super Export" decal	2				
45	238022	Upper platform	1				
46	280925	Hex. head bolt M12 x 35 x 1,50	2				
47	209163	Lock washer M12	2				
48	427013	Nut ABTN - 1020 thread M12 x 1,50	2				
49	295311	Screw M6 x 25 x 1,00 (stainless)	14				
50	358465	Fan lock guard	1				
51	474668	Upper protection	1				

CHEMICAL CIRCUIT



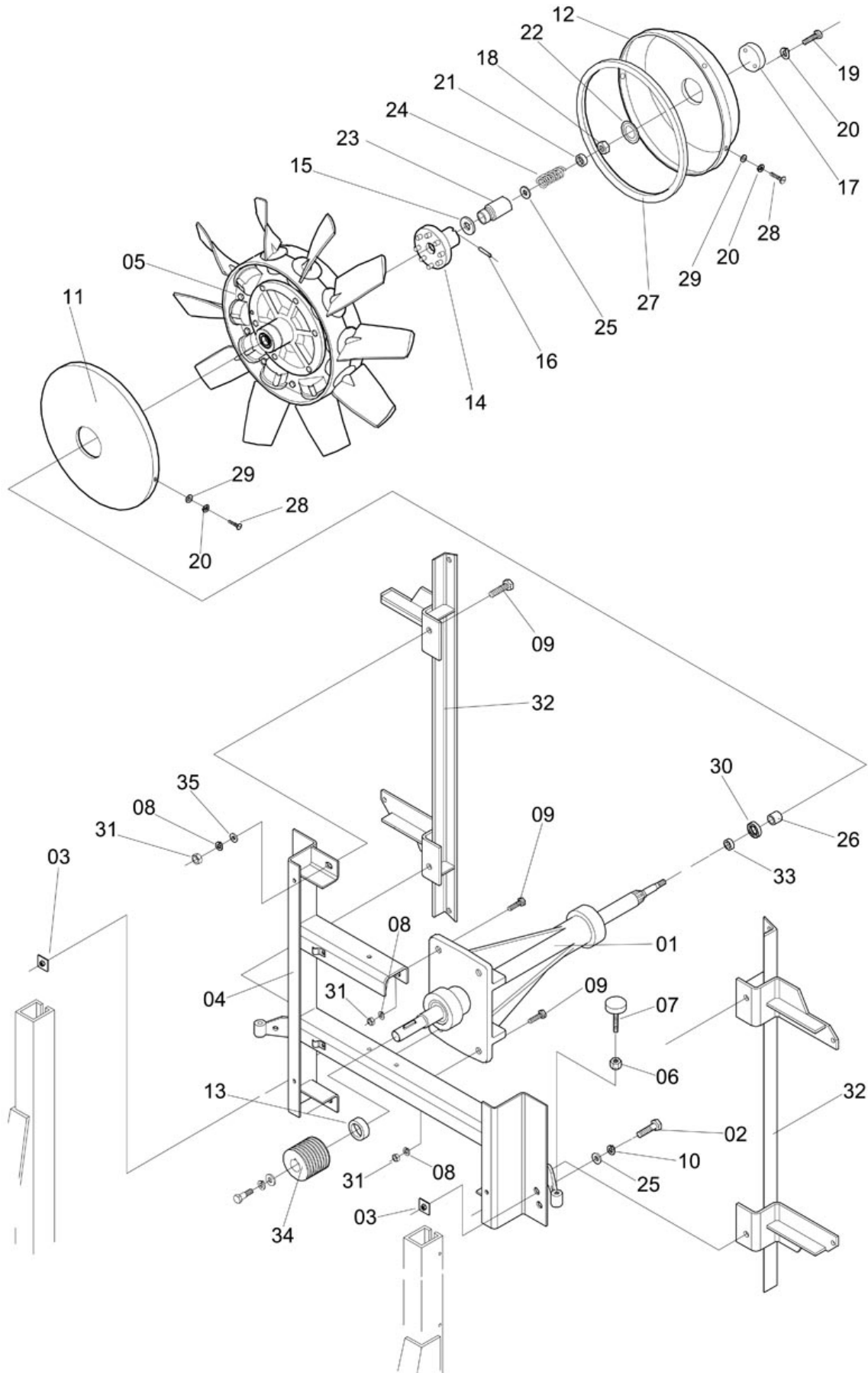
CD-465

CHEMICAL CIRCUIT

Continuation

Item	CODE	DESCRIPTION	Qty.	Item	CODE	DESCRIPTION	Qty.
00	749473	Chemical circuit	1	57	751123	Seal washer 40 x 30.15 x 3.0	1
01	150854	Control (relief/pressure regulator valve)	1	58	653790	Hose fitting ø 38,1 (1.1/2")	2
02	435123	Hose Ø50 (2") x 520 - KM 50	1	59	383802	Hex. bolt M12 x 40 x 1,50	2
03	725135	Curve hose fitting 2" x 90	2	60	646729	Hexagonal nut 1.1/2" 11 BSP	2
04	005918	Locking ring	3	61	613703	Hose 2" x 495	1
05	005900	Coupling nut	2	61A	253872	Hose - filter to tank - left	1
06	941344	Suction filter FVS-200	2	62	005884	Nut 1.1/4" BSP	1
07	757559	Hex. bolt M10 x 30 x 1.25	8	63	648170	O-ring OR1-128	2
08	209395	Lock washer M10	8	64	556522	Control support	1
09	907030	Hex. nut M10 x 1.25	8	65	750232	Bored cap ø 57	1
10	626580	Clamp D51-64	8	66	431692	Spray control actuator	1
11	749705	Hose ø 1.1/2" x 670	1	67	438291	Flexible cable with coupling end	2
12	750240	Elbow ø 2" x 90°	1	68	431718	Operating holder	1
13	330969	Clamp D25-38 - stainless steel	18	69	749804	Right hood side	1
14	727792	Hose 2" x 340	1	70	623884	Flat washer 105 x 210 x 20	2
14A	253880	Hose - filter to tank - right	1	71	749820	Left hood side	1
15	613661	Hose fitting ø 2"	1	72	324764	Float ø 14	1
16	749721	Hex. nut 1" - 11 BSP	2	73	818484	Transparent hose 0 3/4" x 1100	1
17	435073	Hose MBP-16 - 1" x 680	2	74	900761	Drain cap ø 67	1
18	402412	Lock washer ø 31 x 22.5 x 22.5/3.0	7	75	724195	Protector	2
19	645416	Tightening pulley assembly 78 (Shaft ø 15 x 50,5)	1	76	543348	Mechanical agitator 2005 - 02	1
20	435081	Fitting ø 1" x 90°	4	77	749838	Hood front	1
21	749499	2,000-liter tank	1	78	731521	O-ring OR1 - 124	1
22	116665	Shock absorbing washer	4	79	559013	Hose ç 25.4 (1") x 1200	1
23	881300	Flat washer 170 x 380 x 3.0	12	79A	253948	Hose - windshield wiper to control	1
24	326298	Nut ø 5/8" - 11 UNC - stainless steel	12	80	413468	Flat washer 68 x 190 x 12	6
25	428748	Flanged nut 1/2" BSP -14 F.P.P.	2	81	727925	Flexible coupling 9	1
26	563510	Seal washer ø 36,3	2	82	013433	Flat washer	2
27	428730	Elbow 3/4" x 1/2" BSP -14 F.P.P.	2	83	731505	Hexagonal nut 1.1/4" BSP	1
28	423814	Clamp D22-32 - stainless steel	2	84	646745	Hose fitting ø 31,75 (1.1/4") x 70	1
29	645432	Flanged head screw 240	4	85	173245	Hex. nut parlock M12 x 1.25	2
30	328781	Fixed bearing	1	86	209163	Lock washer M12	6
31	644641	Pulley disk ø 78 - 1A	2	87	209197	Bolt M-12 x 25 x 1.75	4
32	834242	Trapezoid belt A - 34	1	88	818112	Flat washer 130 x 240 x 30	4
33	910851	Snap ring for shaft 15	1	89	405753	Hex. nut 1" - 11 BSP	2
34	817627	Tightening pulley shaft 15 x 50.5	1	90	819540	Hose fitting ø 1"	2
35	418152	Flat washer 132 x 258 x 26.5	1	91	404434	Hose fitting	1
36	908582	Lock washer 1/2"	1	92	809848	Bored cap	1
37	912790	Hex. nut 1/2" - 13 UNC	1	93	988329	Hose MBP16 - 1" x 1100	2
38	810697	Bolt M6 x 1 x 20	2				
39	750257	Tube clamp	2				
40	521666	Lock washer M6	8				
41	519736	Lock washer M8	6				
42	810770	Hex. nut M8 x 1.25	6				
43	749309	Tube 2113	2				
44	810689	Hex. nut M6 x 1.00	2				
45	829382	Hex head bolt M8 x 25 x 1.25	6				
46	911115	Clamp D32-44 - stainless steel	8				
47	694323	JP-300 piston pump	1				
48	448019	Hex. head bolt M6 x 12	6				
49	237586	Hose fitting ø 1"	1				
50	134239	Chemical container rinse nozzle kit	1				
51	324236	Male/female elbow ø 1.1/2 BSP-90°	1				
52	613679	Hose fitting 2" x 1.1/2" BSP	2				
53	749549	Fitting ø 1.1/2" BSP x 1.1/4"	1				
54	247734	Hose ç 2" x 780 blue	1				
55	988311	Hose MPMP - 20 - ø 31,5 (1.1/4") x 860	1				
56	511733	Round nut 1" BSP (40-45)	1				

DRIVEN TRANSMISSION



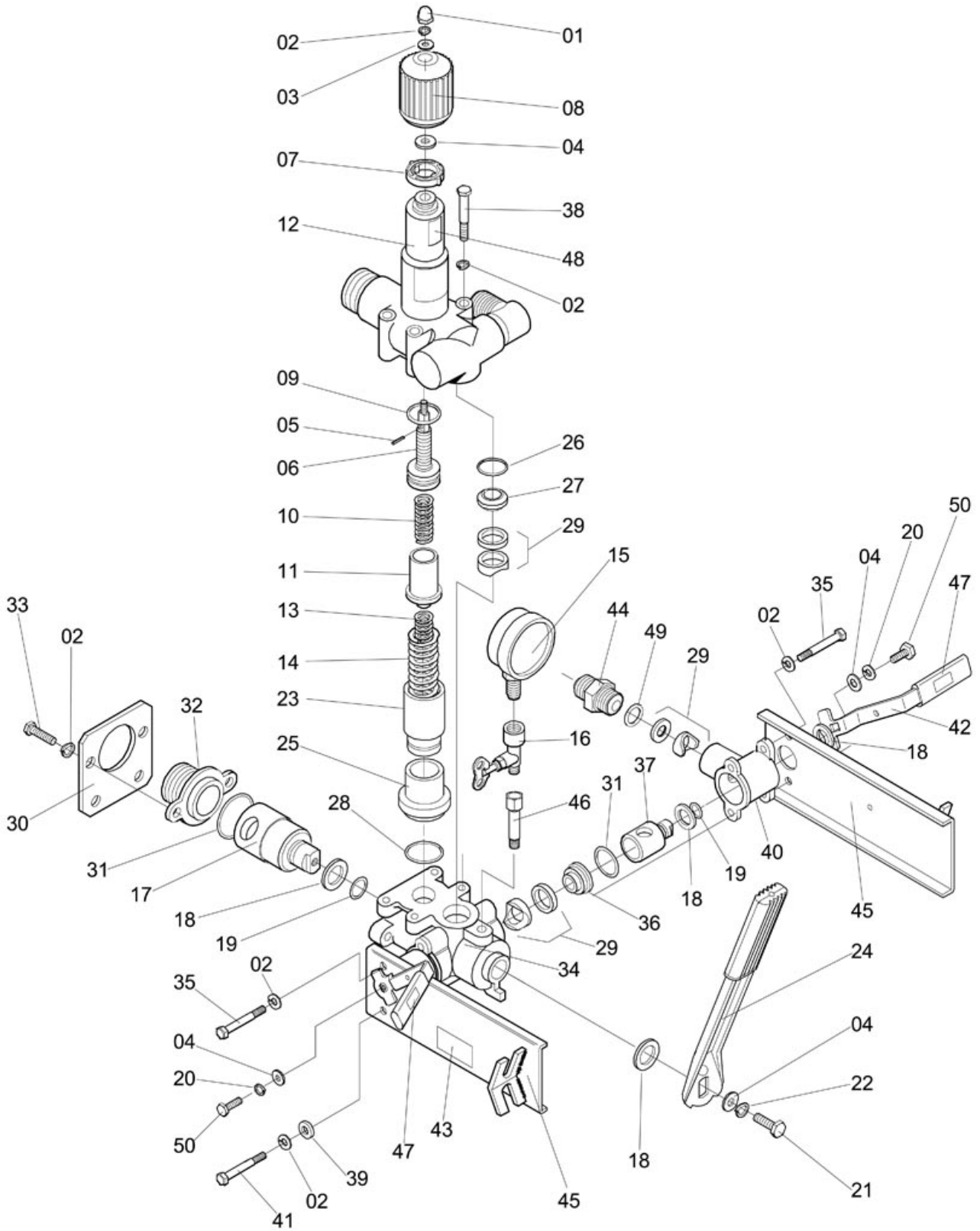
TMV-45

DRIVEN TRANSMISSION

Continuation

Item	CODE	DESCRIPTION	Qty.	Item	CODE	DESCRIPTION	Qty.
00	228742	Driven transmission	1				
01	363598	Bearing no. 31					
02	325282	Bolt \varnothing 5/8" - 11 UNC x 1.1/2"	4				
03	202499	Plate with nut \varnothing 5/8" - 11 UNC	4				
04	444034	Adjustable frame	1				
05	348995	Fan assembly	1				
06	326280	Nut \varnothing 1/2" UNC	2				
07	941948	Tightening screw \varnothing 1/2" - 13 UNC	2				
08	209163	Lock washer M12	8				
09	280925	Hex. head bolt M12 x 35 x 1,50	8				
10	764142	Lock washer M16	4				
11	848911	Fan guard cap	1				
12	935379	Hub cap	1				
13	728576	Spacer 15	1				
14	018713	Grooved hub with pins	1				
15	011643	O-ring ORI-129	1				
16	427567	Flexible pin \varnothing 5 x 32	1				
17	201087	Disc \varnothing 70	1				
18	108787	Nut DODI-LOC \varnothing 1/2" - 13 UNC	1				
19	202853	Screw \varnothing 3/16" UNC x 1/2"	2				
20	520676	Lock washer M5	12				
21	425892	Spring seat ring	1				
22	939223	Packing ring	1				
23	201103	Coupling hub	1				
24	204537	Compression spring	1				
25	881243	Flat washer 170 x 300 x 19	5				
26	232686	Spacer 51.4	1				
27	018655	Packing 1015	1				
28	907584	Screw 3/16" UNC x 5/16"	5				
29	501692	Flat washer 52 x 120 x 12	5				
30	202549	Fixed bearing	2				
31	427013	Nut ABTN - 1020 thread M12 x 1,50	8				
32	238048	Deflector support	2				
33	518118	Spacer ring	1				
34	437384	Pulley \varnothing 87-9-3	1				
35	818112	Flat washer 130 x 240 x 30	4				

CONTROL (RELIEF/PRESSURE REGULATOR VALVE)



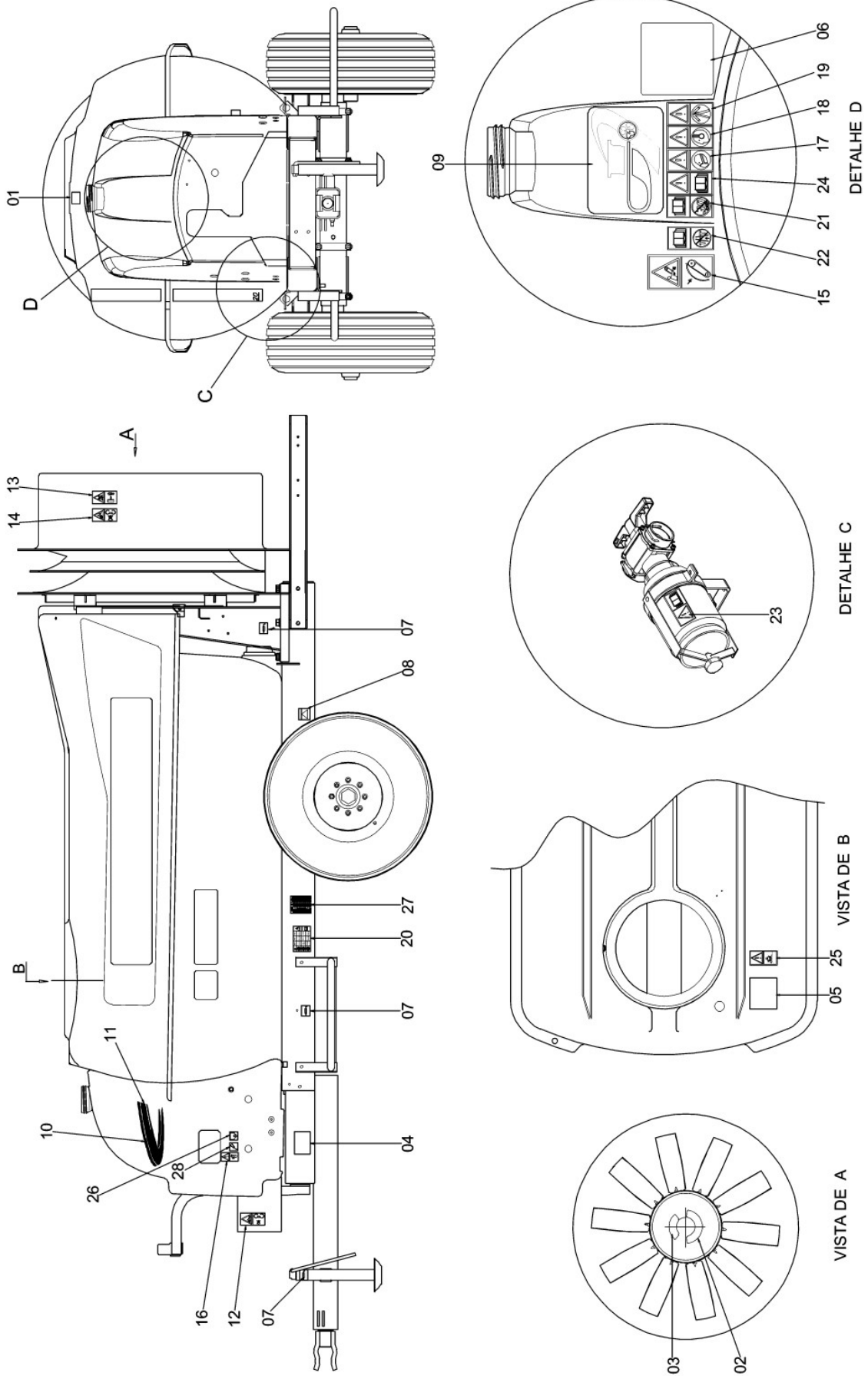
CV-338

CONTROL (RELIEF/PRESSURE REGULATOR VALVE)

Continuation

Item	CODE	DESCRIPTION	Qty.	Item	CODE	DESCRIPTION	Qty.
00	150854	Control (relief/pressure regulator valve)	1				
01	945832	Box nut M8 x 1,0	1				
02	519736	Lock washer M8	11				
03	013433	Flat washer	1				
04	623884	Flat washer 105 x 210 x 20	4				
05	917369	Flexible pin (heavy) 3 x 22	1				
06	450544	Adjusting screw M-14 x 1.50 x 75	1				
07	011031	Lock	1				
08	010629	Knob	1				
09	216192	O-ring OR1-213	1				
10	450650	Compression spring	1				
11	450585	Bushing 40	1				
12	150862	Cylinder	1				
13	450643	Compression spring	1				
14	450635	Compression spring	1				
15	427823	Pressure gauge (glycerin-filled)	1				
16	507319	Needle valve for pressure gauge	1				
17	946152	Core	1				
18	010645	Core seat washer	6				
19	955591	O-ring OR2-114	3				
20	908566	Lock washer ø 3/8"	2				
21	945840	Bolt M-10 x 16 x 1.5	1				
22	209395	Lock washer M10	1				
23	450502	Guide bushing with insert	1				
24	010587	Lever	1				
25	450627	Spacer	1				
26	012724	O-ring ORI-119	1				
27	450569	Spacer ø 29 x 17	1				
28	011593	O-ring OR1-219	1				
29	211235	Seat and packing ring	5				
30	019935	Support	1				
31	216200	O-ring ORI-132	3				
32	019943	Flanged fitting with thread 1.1/4 BSP	1				
33	810705	Bolt M-8 x 30 x 1,25	2				
34	450775	Valve body	1				
35	450973	Bolt M-8 x 75 x 1.25	2				
36	450577	Localizing bushing	2				
37	450510	Valve core	2				
38	520726	Hex head bolt M8 x 60 x 1.25	4				
39	450817	Flat washer 90 x 254 x 50	2				
40	450742	Side body	2				
41	358218	Hex. bolt M8 x 80 x 1.25	2				
42	450528	Lever	2				
43	979583	Sticker: "Control maintenance..."	1				
44	450551	Nipple	2				
45	450718	Right protector	2				
46	014423	Pressure gauge extension	1				
47	945964	Lever handgrip	2				
48	948026	Graduation plate	1				
49	928754	O-ring OR2-123	2				
50	917682	Bolt 3/8" - 16 UNC x 1/2"	2				
	570093	Repair kit for control VAR	1				

STICKERS LABELS LAYOUT FOR ARBUS 2000



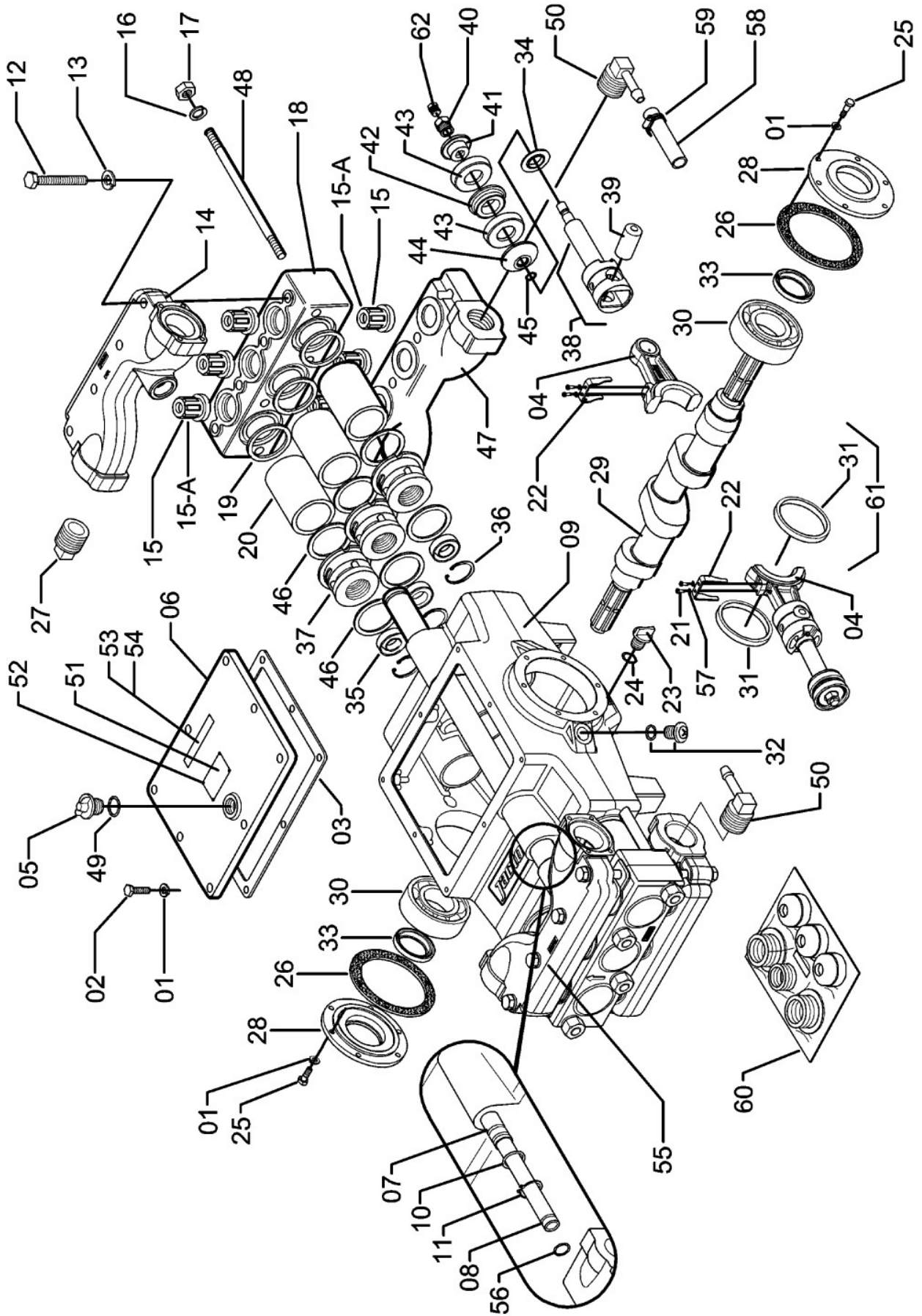
ADS-7

STICKERS LAYOUT FOR ARBUS 2000

Continuation

Item	CODE	DESCRIPTION	Qty.	Item	CODE	DESCRIPTION	Qty.
00	474858	Stickers Layout for Arbus 2000	1				
01	013169	Sticker: "OK- FINAL TEST"	1				
02	018705	Sticker: "Fan lock instructions"	1				
03	039222	Sticker: "850"	1				
04	047035	Sticker: "Table - (Identification Plate)"	1				
05	169128	Sticker: "Chemical container rinse nozzle"	1				
06	219717	Sticker: Drawbar adjustment (Spanish)	1				
07	276220	Sticker: "Lubrication Point Indication"	2				
08	276238	Sticker: "Jack Positioning Indication"	2				
09	280727	Sticker: "Jacto" logotype	1				
10	391276	Sticker: Stripe for hood - left	1				
11	391292	Sticker: Stripe for hood - right	1				
12	379008	Sticker: "Danger - PTO Shaft"	1				
13	379040	Sticker: "Attention - Keep at a Distance"	1				
14	379057	Sticker: "Keep at a Distance - Fan"	1				
15	379065	Sticker: "Keep all shields in place"	1				
16	379107	Sticker: "Hydraulic Oil Level"	1				
17	379115	Sticker: "Obligatory Use of Respirator"	1				
18	379123	Sticker: "Obligatory Use of Hearing Protection"	1				
19	379131	Sticker: "Obligatory Use of Protective Clothing"	1				
20	379164	Sticker: "Nut Torque"	2				
21	379214	Sticker: "Maximum Speed 30 KM/H"	1				
22	379222	Sticker: "This Machine Is Not Allowed In Highways"	1				
23	379230	Sticker: "Read Operator's Manual - Horizontal"	1				
24	379248	Sticker: "Read Operator's Manual - Vertical"	1				
25	380014	Sticker: "Attention: Do Not Get Into The Tank"	1				
26	389387	Sticker: "Drain Indication"	1				
27	391631	Sticker: "Tire Pressure Indication"	2				
28	395061	Sticker: "Lubrication Point Indication -"	1				

JP-300 PISTON PUMP



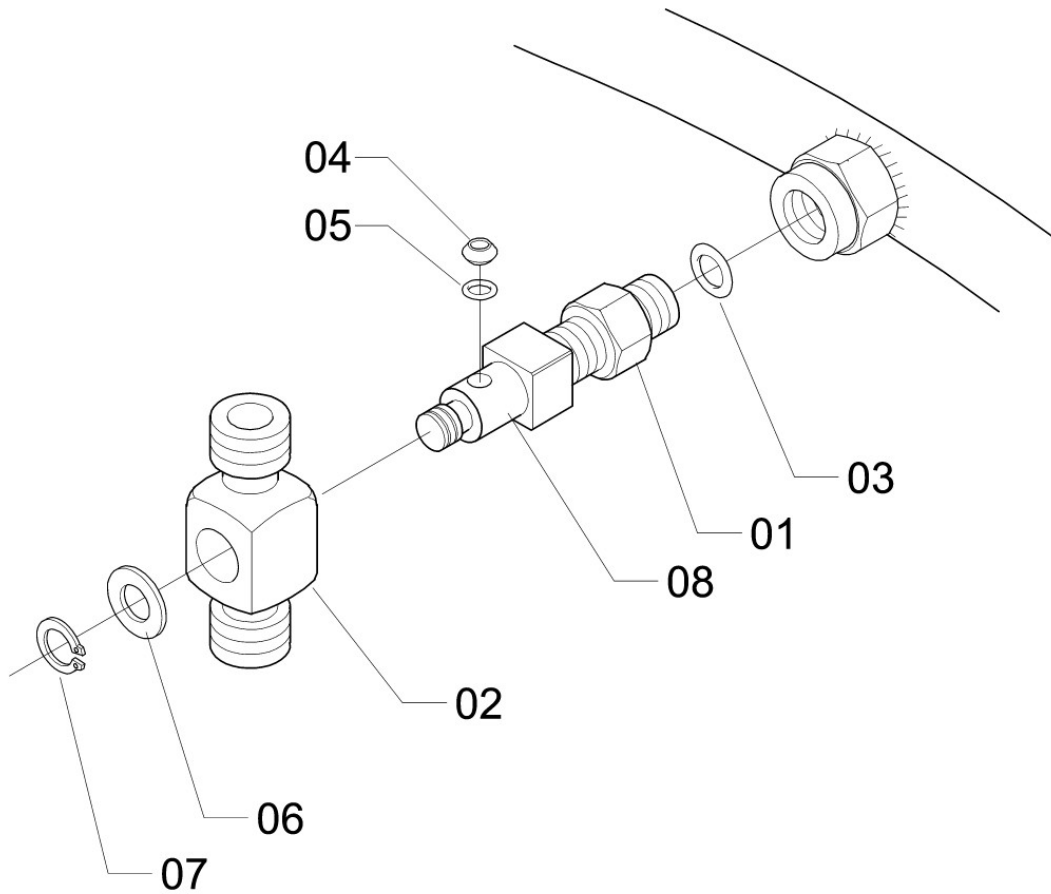
B-58

JP-300 PISTON PUMP

Continuation

Item	CODE	DESCRIPTION	Qty.	Item	CODE	DESCRIPTION	Qty.
00	694323	JP-300 piston pump	1	56	106955	O-ring OR1-120	2
01	519736	Lock washer M8	20	57	520700	Lock washer M4	12
02	810705	Bolt M-8 x 30 x 1,25	8	58	749739	HOSE 8.00 (5/16") x 530 - PT 80	1
03	692392	Packing	1	59	063370	Clamp D 12-16 - stainless steel	2
04	955690	CONNECTING ROD	6	60	692491	Repair kit VIII	1
05	328542	Plug ø 3/4" BSP	1	60A	692616	Repair kit JP-300 Super	1
06	722371	Pump cover	1	61	752600	Connecting rod assembly	3
07	868216	Protective tube	1	62	585638	Locking screw 1/2" UNF x 15 (stainless)	6
08	868224	Union tube	1				
09	448472	Pump JP-300 body	1				
10	731521	O-ring OR1 - 124	2				
11	203067	Snap ring for shaft ø 35	2				
12	429258	Screw ø 1/2" - 13 UNC x 3" - stainless steel	16				
13	908582	Lock washer 1/2"	16				
14	488296	Valve cover	1				
15	079319	Valve	12				
15A	323014	Packing ring ø 47 x 35,5 x 9	12				
16	764142	Lock washer M16	8				
17	916734	Hex. nut 5/8" - 11 UNC	8				
18	322735	Pump head	2				
19	322875	Seal washer	6				
20	322925	Sleeve (alumina)	6				
21	100198	Screw M-4 x 10 x 0.7	12				
22	448340	Retainer fork	6				
23	520775	Drain plug 1/4" BSP	1				
24	325290	O-ring OR1-112	1				
25	829374	Hex. head bolt M8 x 20 x 1.25 -cl 8.8	12				
26	322883	Packing 110 x 145 x 0.4	2				
27	427948	Plug ø 1.1/2" BSP	3				
28	322610	Bearing flange	2				
29	245282	Crankshaft	1				
30	325506	Bearing 6310	2				
31	448357	Ring ø 100	6				
32	521351	Oil sight 1/2" BSP with packing ring	1				
33	323170	Retainer 01920	2				
34	322842	Scraper ring	6				
35	323188	Retainer 72	6				
36	916775	Snap ring for hole ø 40	6				
37	322826	Sleeve guide	6				
38	322933	Guide with rode	6				
39	322909	Connecting rod shaft	6				
40	585612	Hex. nut 1/2" UNF (stainless)	6				
41	585588	Piston cup spacer	6				
42	585596	Piston cup fastener	6				
43	581363	Piston cup	12				
44	585604	Piston cup base	6				
45	120071	O-ring ORI - 015	6				
46	322867	Packing	12				
47	328799	Valves cover (suction)	2				
48	322891	Stud bolt ø 5/8" - 11 UNC x 240 - stainless steel	8				
49	012724	O-ring ORI-119	1				
50	749689	Plug with fitting	2				
51	448795	Identification plate	1				
52	109587	Round head rivet	4				
53	019356	Sticker: "Keep the oil..." (Portugue)	1				
54	332247	Sticker: "Keep the oil..."	1				
55	450114	Valves cover	1				

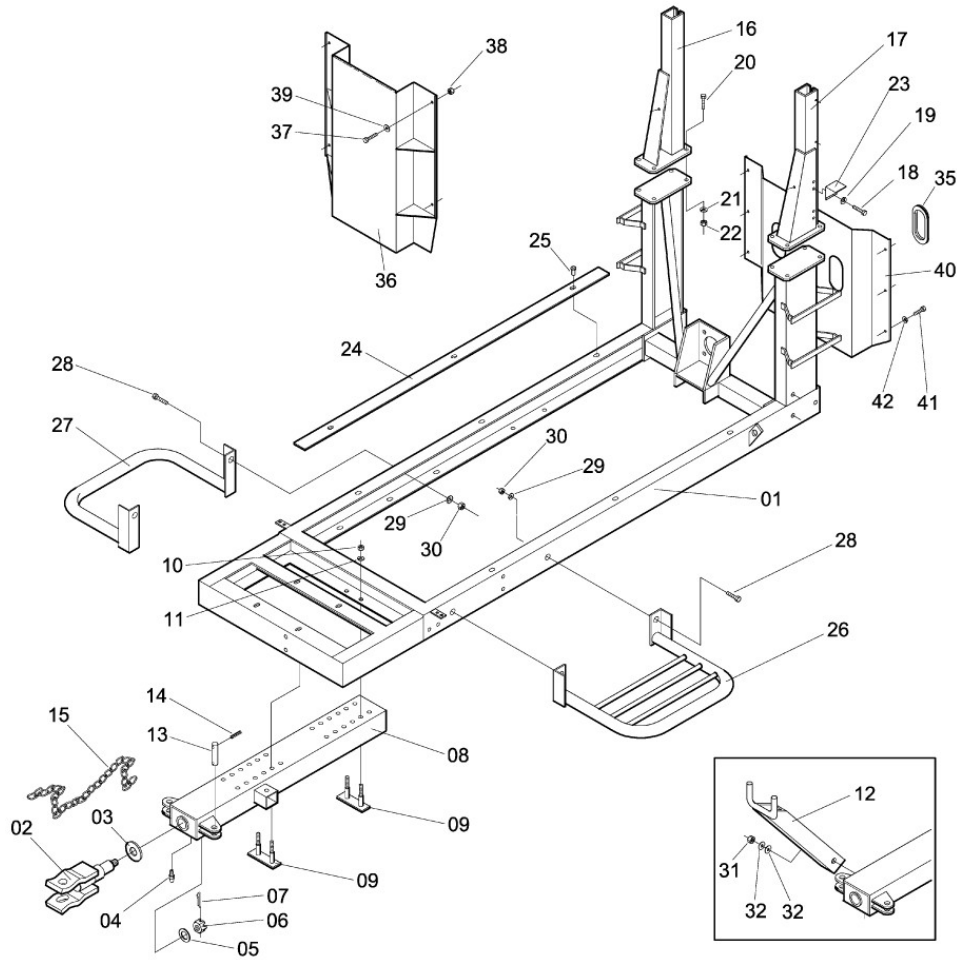
DOUBLE NOZZLE HOLDER



BC-36

Item	CODE	DESCRIPTION	Qty.	Item	CODE	DESCRIPTION	Qty.
00	340802	Double nozzle holder	1				
01	441154	Nut ø 1/4" BSP - 18 F.P.P.	1				
02	340810	Double nozzle holder	1				
03	120097	O-ring ORI - 013	1				
04	340828	Seal	1				
05	340851	O-ring OR2 - 201	1				
06	340836	Wavy washer	1				
07	340844	Snap ring for shaft ø 10	1				
08	454991	Nozzle holder support 51.5	1				

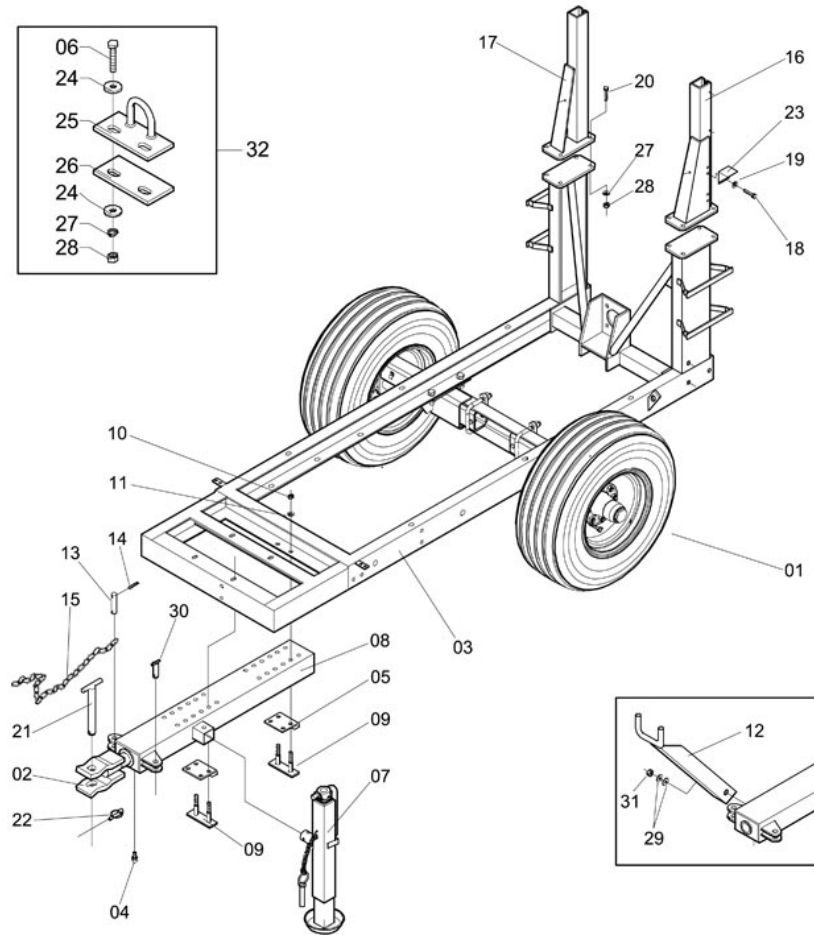
TRAILER ASSEMBLY



C-25

Item	CODE	DESCRIPTION	Qty.	Item	CODE	DESCRIPTION	Qty.
00	749143	Trailer assembly	1	23	436345	Stop	2
00A	749150	Trailer 2109	1	24	732032	Tank seat	2
00B	724294	Axle (see Fixed Axle no.10)	1	25	324681	Rivet Pop ø 4.8 x 16.6	8
00C	431064	Jack no. 10	1	26	749127	Platform	1
01	749085	Chassis	1	27	724344	Filter guard rail	1
02	714964	Trailer hitch no. 6	1	28	108332	Hex. bolt 1/2" - 13 UNC x 1.1/4"	4
03	007567	Flat washer 500 x 700 x 47.5	1	29	908582	Lock washer 1/2"	4
04	910463	Grease nipple 1/4" - 28 UNF	1	30	912790	Hex. nut 1/2" - 13 UNC	6
05	001982	Flat washer 300 x 650 x 63	1	31	202663	Hex. nut 1/2" - 13 UNC	1
06	625160	Castle nut 1.1/8" - 7 UNC	1	32	715979	Flat spring	2
07	209783	Cotter pin ø 3/16" x 1.1/2"	1	33	515734	Sticker: "Clean filter..."	2
08	556027	Trailer tongue	1	34	130138	Sticker: ¿Tires pressure¿	2
09	926170	Hitch setting plate	4	35	238105	Hose protector	2
10	938738	Nut ø 5/8" - 18 UNF	8	36	237925	Belt shield	1
11	707570	Flat washer 165 x 305 x 19	8	37	520064	Hex. head bolt M8 x 16 x 1.25	4
12	434548	PTO shaft support	1	38	810770	Hex. nut M-8 x 1.25	4
13	104836	Cylinder shaft	1	39	519736	Lock washer M8	4
14	330076	Flexible pin ø 4 x 16 (heavy)	2	40	237966	Rear shield	1
15	118216	Chain 2200	1	41	910489	Bolt ø 1/4" 28 - UNF x 5/8"	6
16	237883	Left column extension	1	42	910117	Lock washer ø 1/4"	6
17	237891	Right column extension	1				
18	912709	Bolt ø 3/8" - 16 UNC x 1"	4				
19	908566	Lock washer ø 3/8"	4				
20	201772	Bolt ø 5/8" - 11 UNC x 2"	8				
21	764142	Lock washer M16	8				
22	916734	Hex. nut 5/8" - 11 UNC	8				

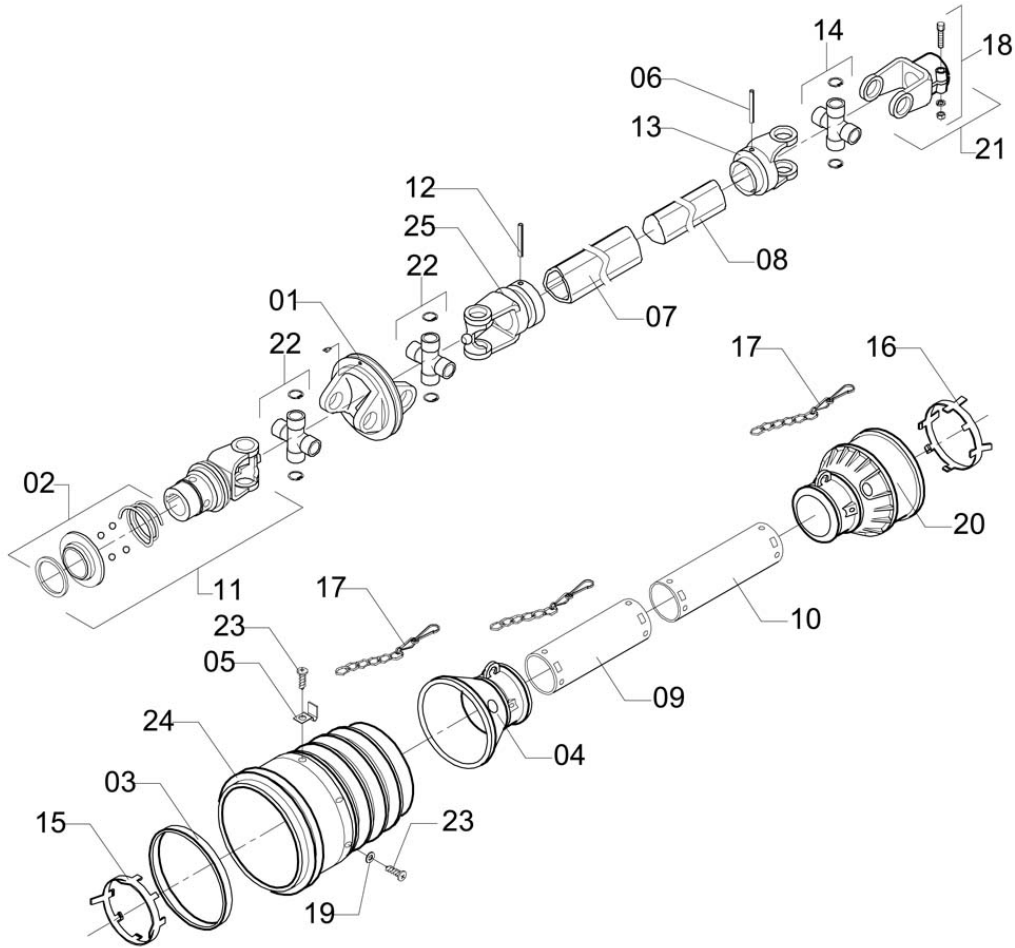
TRAILER ASSEMBLY



C-205

Item	CODE	DESCRIPTION	Qty.	Item	CODE	DESCRIPTION	Qty.
00	749150	Trailer assembly	1	26	819680	Chain holder clip plate	1
01	997551	Adjustable axle n° 13	1	27	764142	Lock washer M16	10
02	487215	Trailer hitch	1	28	742015	Nut M16 x 1.50	10
03	749085	Chassis	1	29	715979	Flat spring	2
04	910463	Grease nipple 1/4" - 28 UNF	1	30	118190	Chain fastening pin	1
05	137299	Fastening plate	2	31	202663	Hex. nut 1/2" - 13 UNC	1
06	764225	Screw M16 x 90 x 2.00	2	32	673798	Clip plate assembly	1
07	431064	Jack no. 10	1				
08	233833	Trailer tongue	1				
09	926170	Hitch setting plate	4				
10	228957	Nut ø 5/8" - 18 UNF	8				
11	881243	Flat washer 170 x 300 x 19	8				
12	556704	PTO shaft support	1				
13	104836	Cylinder shaft	1				
14	330076	Flexible pin ø 4 x 16 (heavy)	2				
15	118216	Chain 2200	1				
16	237883	Left column extension	1				
17	237891	Right column extension	1				
18	912709	Bolt ø 3/8" - 16 UNC x 1"	4				
19	908566	Lock washer ø 3/8"	4				
20	984963	Hex. bolt M16 x 50 x 1.50	8				
21	824003	Tee pin	1				
22	330407	Universal lock pin 5/16"	2				
23	436345	Stop	2				
24	881300	Flat washer 170 x 380 x 3.0	4				
25	118208	Belt postioner	1				

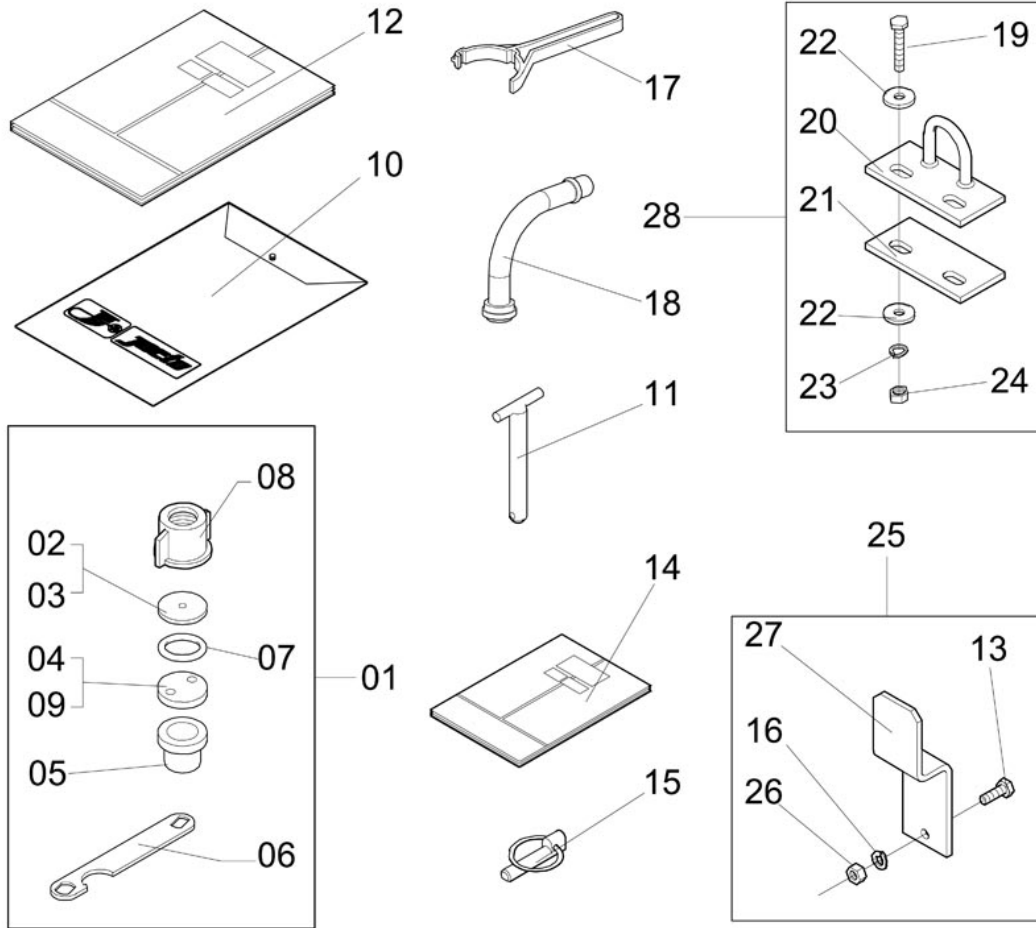
WIDE ANGLE CV PTO SHAFT



CN-27

Item	CODE	DESCRIPTION	Qty.	Item	CODE	DESCRIPTION	Qty.
00	435156	Wide angle CV PTO shaft	1				
01	008839	Central body	1				
02	585414	PTO end blocking kit - 6 grooves	1				
03	169292	Cross guard lock	1				
04	169326	Intermediate guard (tractor end)	1				
05	169334	PTO shaft chain hook	1				
06	227173	Flexible pin $\varnothing 10 \times 65$	1				
07	640730	Female tube	1				
08	640748	Male tube	1				
09	640755	Shield (female tube)	1				
10	640763	Shield (male tube)	1				
11	399550	Coupling end - PTO end (1.3/8"Z=6)	1				
12	456970	Flexible pin	1				
13	457010	Male tube coupling end	1				
14	457028	Cross	1				
15	457069	Shield lock	1				
16	457119	Shield lock	1				
17	457127	Chain	3				
18	457192	Bolt and nut	1				
19	501692	Flat washer 52 x 120 x 12	5				
20	572321	Cross shield (sprayer end)	1				
21	457051	Coupling end (sprayer end)	1				
22	681676	Cross assembly	2				
23	856229	Self-tapping bolt with slot PH. 4.8 x 22	6				
24	876789	Central body guard - tractor end	1				
25	876797	Female tube end	1				

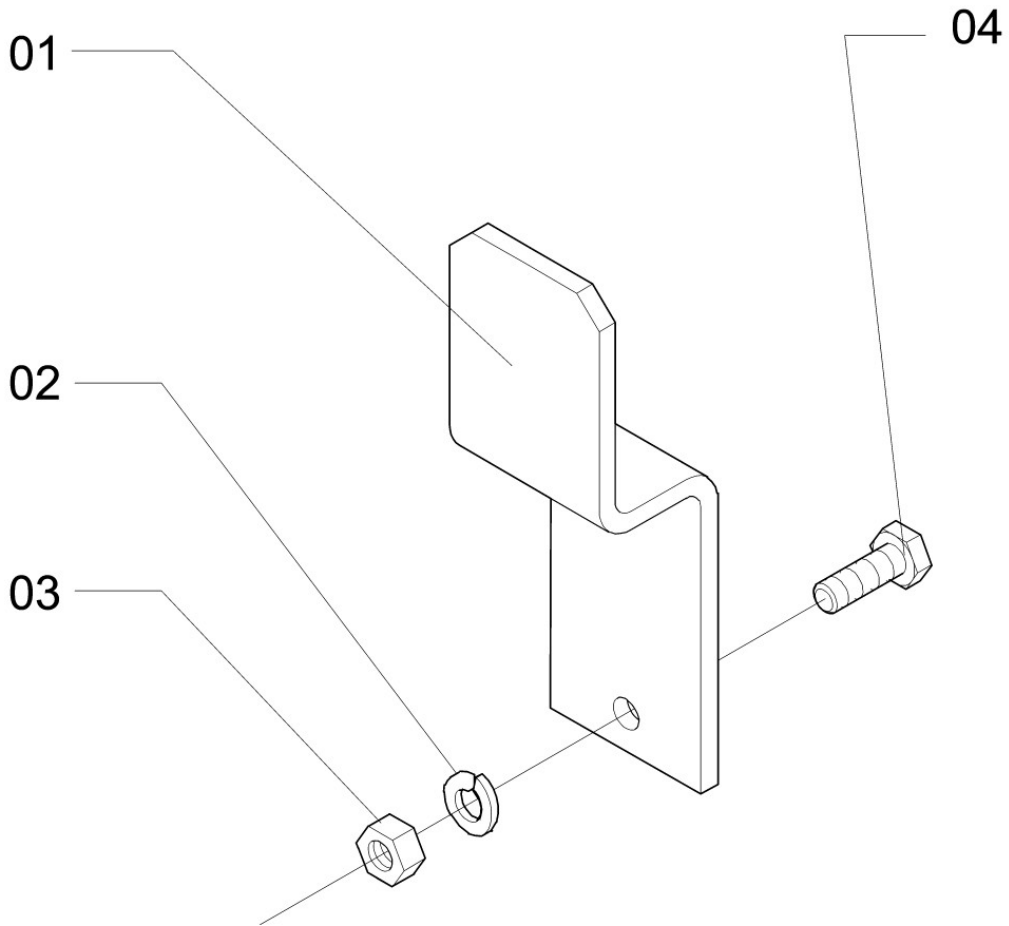
ACCESSORIES BOX "A-2000 VA/300 " S/EJ J53/J62



CXA-325

Item	CODE	DESCRIPTION	Qty.	Item	CODE	DESCRIPTION	Qty.
00	582288	Accessories box "A-2000 VA/300 " S/EJ J53/J62	1	22	881300	Flat washer 170 x 380 x 3.0	4
01	479519	Nozzles composition J5-03/J6-02 AGS 44	1	23	764142	Lock washer M16	2
02	325340	Disk J-5	44	24	742015	Nut M16 x 1.50	2
03	325357	Disk J-6	44	25	673855	Actuator holder assembly	1
04	325977	Swirl core J-3	44	26	810770	Hex. nut M8 x 1.25	2
05	330928	Nozzle seat	88	27	431718	Operating holder	1
06	436493	Flat fan nozzle aligner	1	28	673798	Clip plate assembly	1
07	642462	Spacer ring	88				
08	710590	Nozzle cap	88				
09	325373	Swirl core "2"	44				
10	867127	Plastic folder	1				
11	824003	Tee pin	1				
12	761049	Operator's manual "Arbus 2000 VA/300"- English	1				
13	829382	Hex head bolt M8 x 25 x 1.25	2				
14	158576	Operator's manual-Chemical container rinse nozzle	1				
15	330407	Universal lock pin 5/16"	1				
16	519736	Lock washer M8	2				
17	703694	Key 40-45	1				
18	841619	Elbow 3/4" x 90°	1				
19	764225	Screw M16 x 90 x 2.00	2				
20	118208	Belt postioner	1				
21	819680	Chain holder clip plate	1				

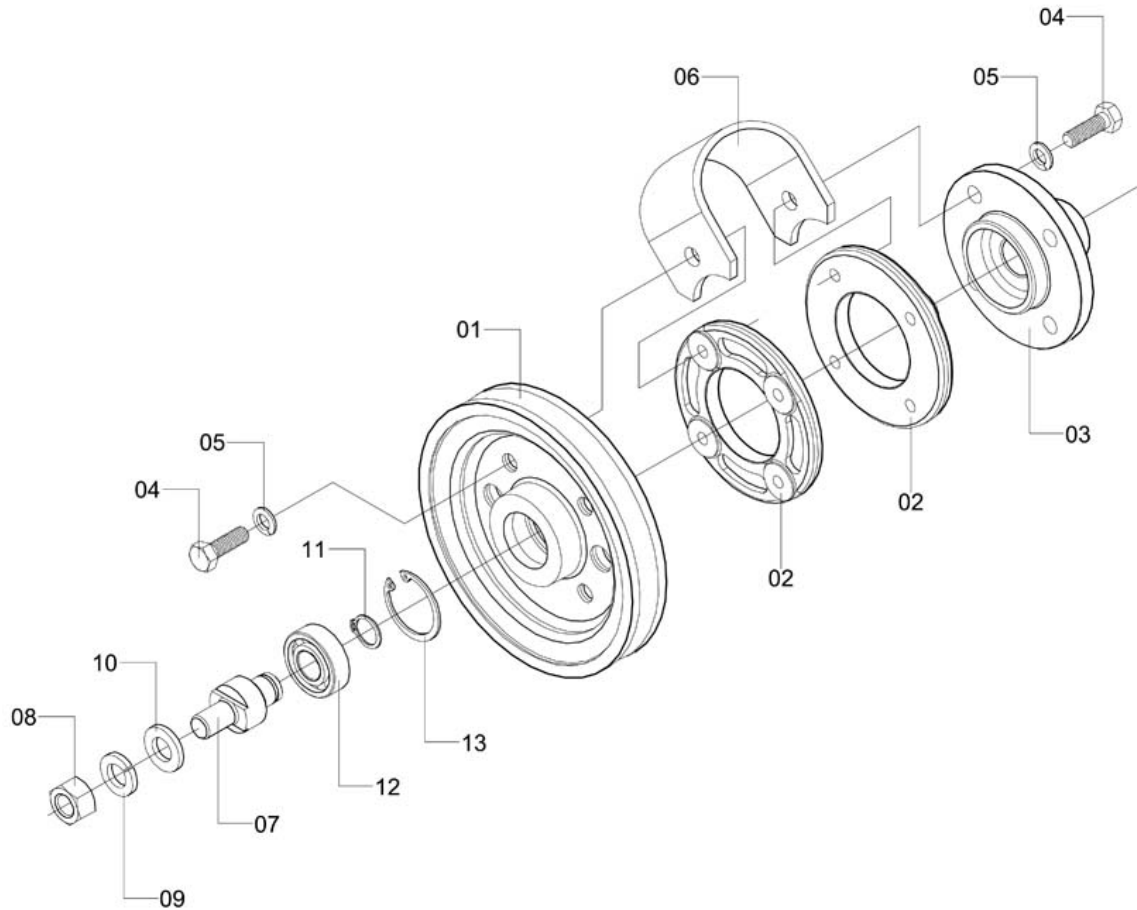
ACTUATOR HOLDER ASSEMBLY



CXA-285

Item	CODE	DESCRIPTION	Qty.	Item	CODE	DESCRIPTION	Qty.
00	673855	Actuator holder assembly	1				
01	431718	Operating holder	1				
02	519736	Lock washer M8	2				
03	810770	Hex. nut M8 x 1.25	2				
04	829382	Hex head bolt M8 x 25 x 1.25	2				

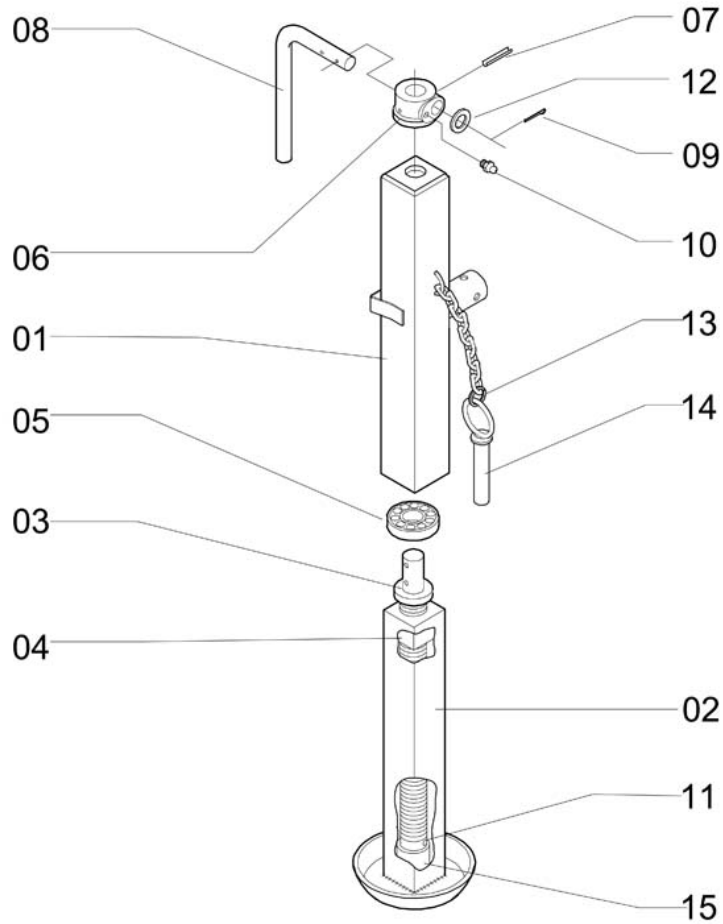
FLEXIBLE COUPLING 9



LE-12

Item	CODE	DESCRIPTION	Qty.	Item	CODE	DESCRIPTION	Qty.
00	727925	Flexible coupling 9	1				
01	727917	Pulley \varnothing 146-1A	1				
02	326462	Ring	2				
03	326470	Hub \varnothing 19	1				
04	836502	Screw 5/16" - 18 UNC x 1"	8				
05	519736	Lock washer M8	8				
06	326447	Flexible link 125	4				
07	817627	Tightening pulley shaft 15 x 50.5	1				
08	912790	Hex. nut 1/2" - 13 UNC	1				
09	908582	Lock washer 1/2"	1				
10	818112	Flat washer 130 x 240 x 30	1				
11	910851	Snap ring for shaft 15	1				
12	328781	Fixed bearing	1				
13	845412	Snap ring for hole \varnothing 35	1				

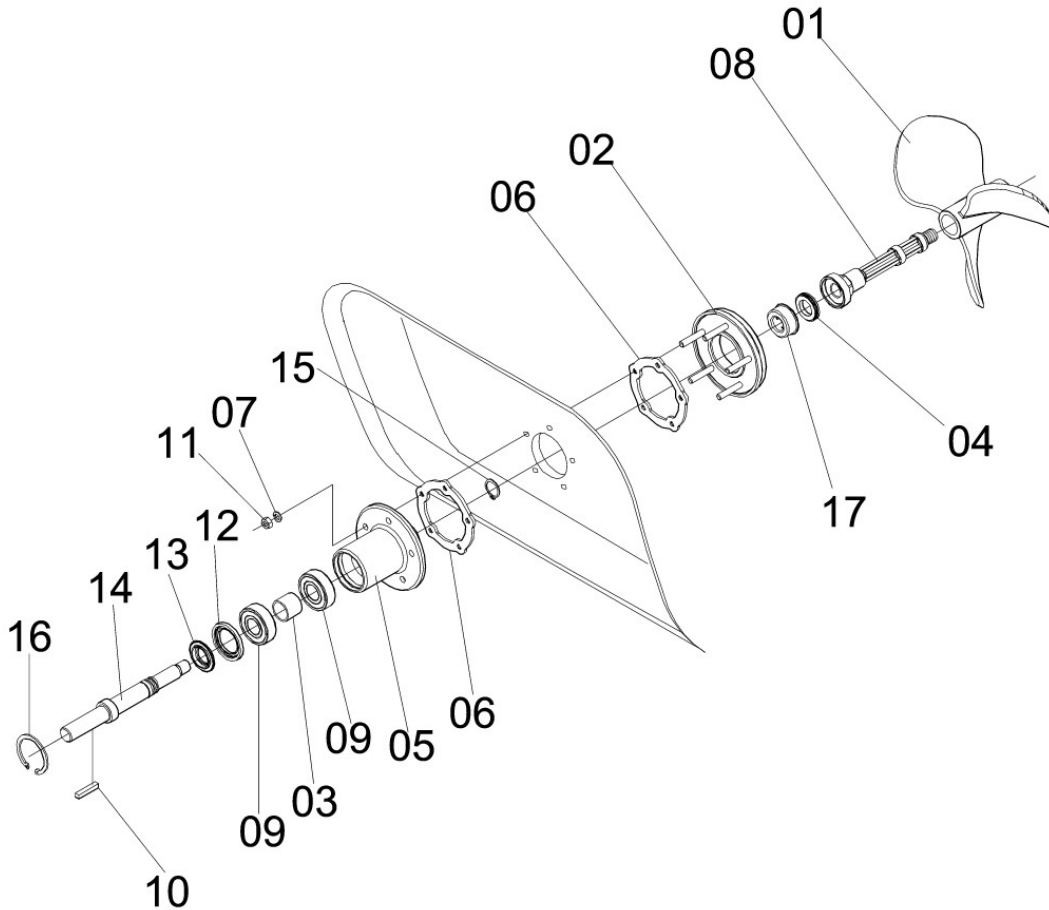
JACK NO. 10



MC-9

Item	CODE	DESCRIPTION	Qty.	Item	CODE	DESCRIPTION	Qty.
00	431064	Jack no. 10	1				
01	670323	Jack body	1				
02	670364	Sliding bar	1				
03	330019	Screw \varnothing 7/8" - 9 UNC x 360	1				
04	426544	Squarenut 7/8" - 9 UNC	1				
05	330084	Bearing	1				
06	330043	Bolt head	1				
07	910802	Flexible pin \varnothing 6 x 28	1				
08	331314	Jack handle	1				
09	910240	Cotter pin \varnothing 3.18 x 25.4	1				
10	910463	Grease nipple 1/4" - 28 UNF	1				
11	103978	Flexible pin 6 x 24	1				
12	315002	Flart washer 130 x 254 x 15	1				
13	622969	Double ring \varnothing 22 x 26 x 3	1				
14	431106	Lock pin	1				
15	429803	Seat ring	1				

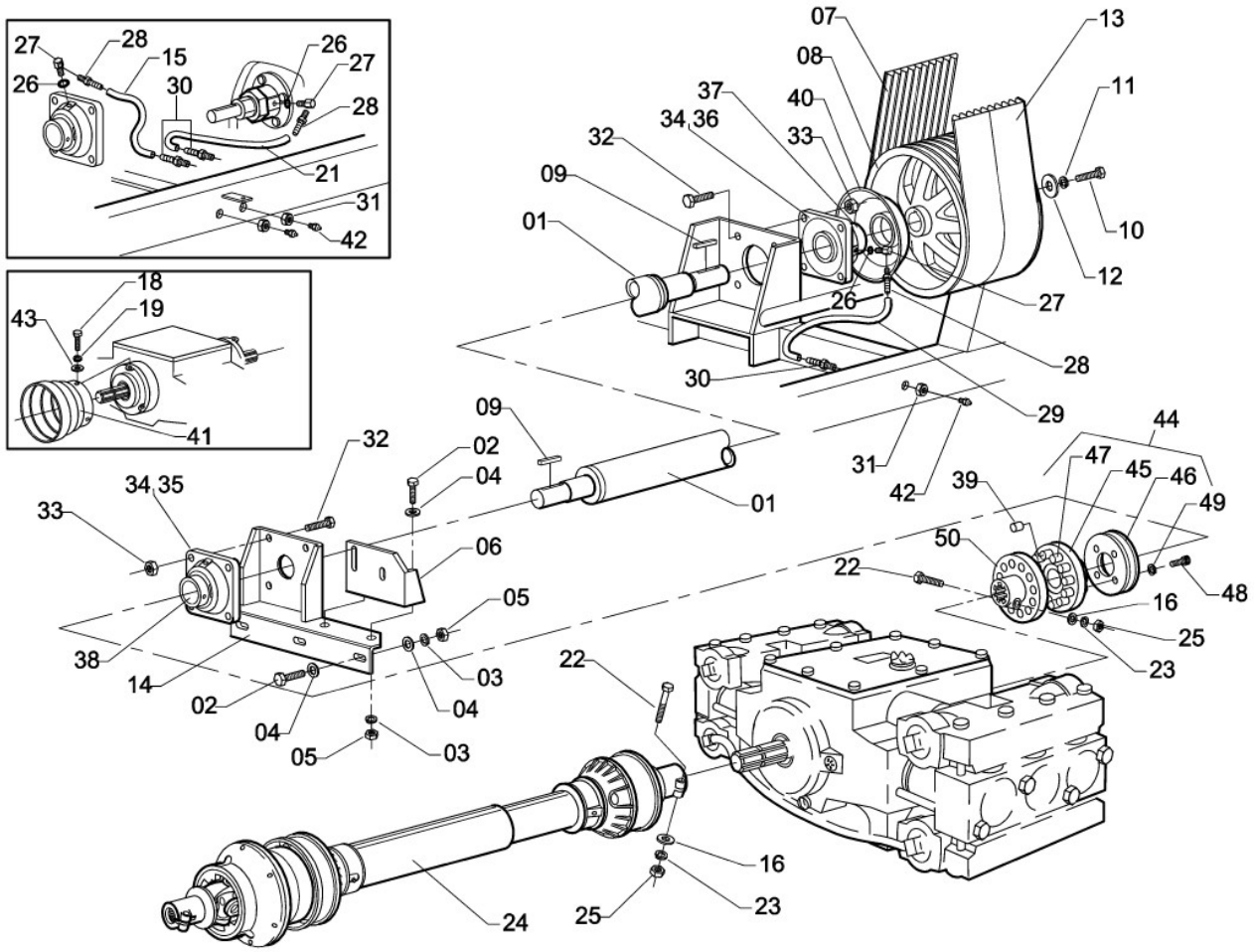
MECHANICAL AGITATOR 2005 - 02



MM-27

Item	CODE	DESCRIPTION	Qty.	Item	CODE	DESCRIPTION	Qty.
00	543348	Mechanical agitator 2005 - 02	1				
01	102848	Agitator propeller	1				
02	345272	Internal flange	1				
03	408666	Bearing spacer bushing	1				
04	418046	Ceramic ring	1				
05	513838	Agitator body	1				
06	514612	Agitator seal joint	2				
07	521666	Lock washer M6	5				
08	559849	Propeller shaft	1				
09	603522	Fixed bearing with 1 ball career	2				
10	419416	Square key 3/16" x 38	1				
11	730309	Hex. nut M6 x 1.00 - Steel	5				
12	838201	Bearing internal protection	1				
13	850750	Bearing external protection	1				
14	813261	Agitator shaft	1				
15	913517	Snap ring for shaft ø 17	1				
16	916775	Snap ring for hole ø 40	1				
17	932038	Mechanic seal - Viton 42012 - stainless steel	1				

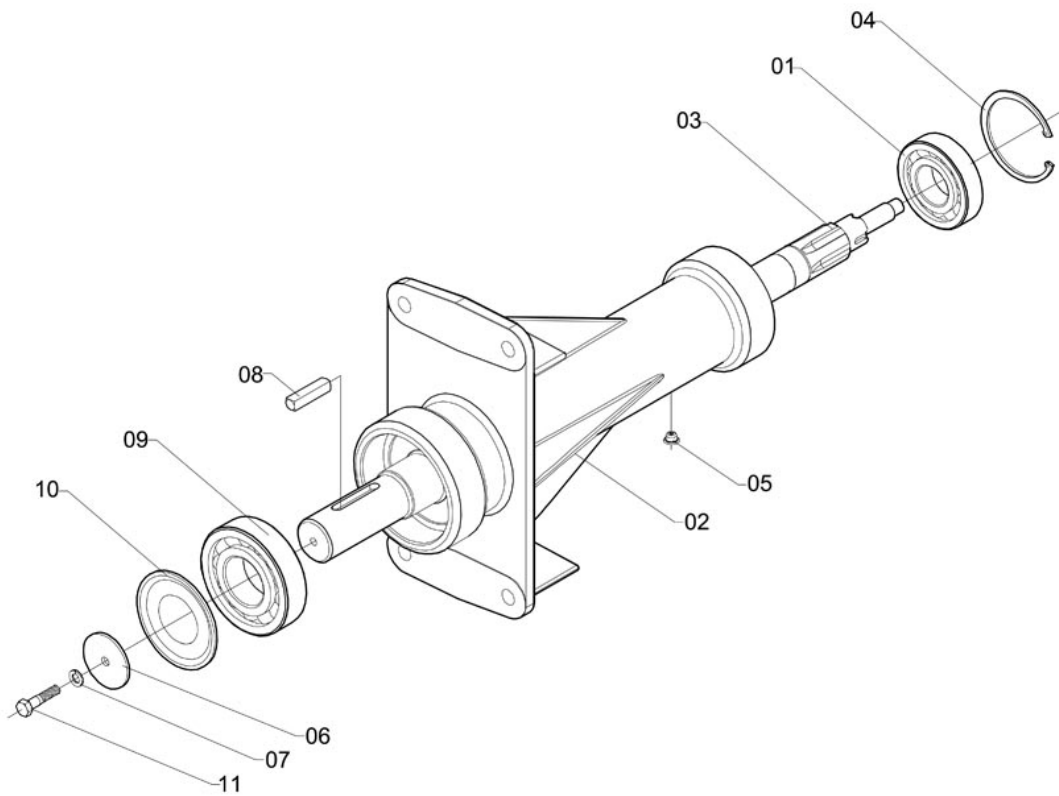
DRIVE TRANSMISSION AND COMPLEMENTS



TMT-15

Item	CODE	DESCRIPTION	Qty.	Item	CODE	DESCRIPTION	Qty.
00	749465	Drive transmission and complements	1	26	822650	Ring \varnothing 9.8 x \varnothing 12.7 x 2.0	3
01	747931	Shaft	1	27	037630	Grease nipple \varnothing 1/8"	3
02	910620	Bolt \varnothing 3/8" - 16 UNC x 5/8"	5	28	426205	Male fitting for hose \varnothing 1/4"	3
03	908566	Lock washer \varnothing 3/8"	5	29	426213	Hose 1/4" x 400	1
04	422436	Flat washer 104 x 254 x 19	5	30	426189	Grease nipple fitting	3
05	912774	Hex. nut 3/8" - 16 UNC	5	31	916627	Nut 7/16" - 14 UNC	3
06	747857	Pulley support	1	32	108332	Hex. bolt 1/2" - 13 UNC x 1.1/4"	8
07	353714	Trapeze belt Super HC 5/3V - 1250	1	33	108787	Nut DODI-LOC \varnothing 1/2" - 13 UNC	8
08	728048	Pulley \varnothing 332-9-3V	1	34	825075	Flange-type bearing	2
09	519793	Square key 9.53 (3/8") x 45	2	35	127357	Flange-type bearing assembly	1
10	820704	Hex. bolt \varnothing 1/2" - 20 UNF x 1"	1	36	019828	Flange-type bearing assembly	1
11	908582	Lock washer 1/2"	3	37	970798	Self-compensating bearing	1
12	703595	Flat washer 133 x 580 x 80	1	38	220194	Self-aligning bearing	1
13	353904	Trapeze belt Super HC 4/3V - 1250	1	39	747360	Bushing 22.2 x 19	12
14	747907	Pillow block support	1	40	037606	Protector	1
15	750679	Hose 1/4" \varnothing x 630	1	41	118224	Cross shield	1
16	418152	Flat washer 132 x 258 x 26.5	2	42	127142	Grease nipple \varnothing 1/8"	3
17	428631	Sticker: Pto shaft instructions	1	43	413468	Flat washer 68 x 190 x 12	4
18	007229	Bolt 1/4" x 20 UNC x 3/4"	4	44	749408	Couplings with pin	1
19	910117	Lock washer \varnothing 1/4"	4	45	749424	Coupling hub	1
20	515726	Sticker: Lubricate daily	1	46	749432	Pulley 146 - 1A	1
21	944181	Hose 1/4" \varnothing x 260	1	47	749440	Pin 5/8"	12
22	626242	Bolt M-12 x 80 x 1.75	2	48	749457	Bolt 5/16" \varnothing - 18 UNC x 1"	4
23	209163	Lock washer M12	2	49	519736	Lock washer M8	4
24	435156	PTO shaft with CV joint	1	50	749390	Flange hub	1
25	427013	Nut ABTN - 1020 thread M12 x 1,50	2				

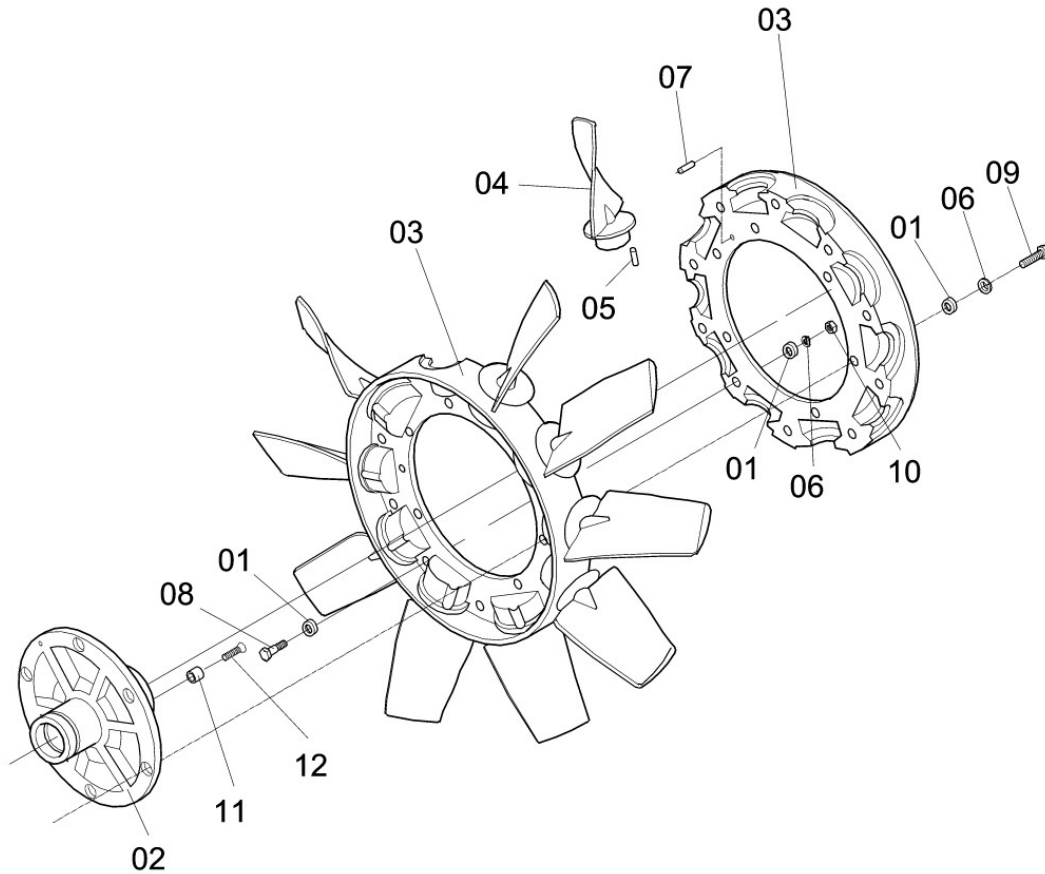
BEARING NO. 31



TMV-44

Item	CODE	DESCRIPTION	Qty.	Item	CODE	DESCRIPTION	Qty.
00	363598	Bearing no. 31	1				
01	203737	Fixed bearing	1				
02	228767	Transmission bearing	1				
03	228775	Axle 719	1				
04	324145	Snap ring for hole ø 80	1				
05	430652	Bearing breather	1				
06	507665	Flat washer 82 x 506 x 30	1				
07	519736	Lock washer M8	1				
08	519793	Square key - 9.53 (3/8") x 45	1				
09	728899	Fixed bearing	1				
10	728907	Packing ring	1				
11	037258	Hex head bolt M 8 x 20 x 1.00 RT CL 10.9	1				

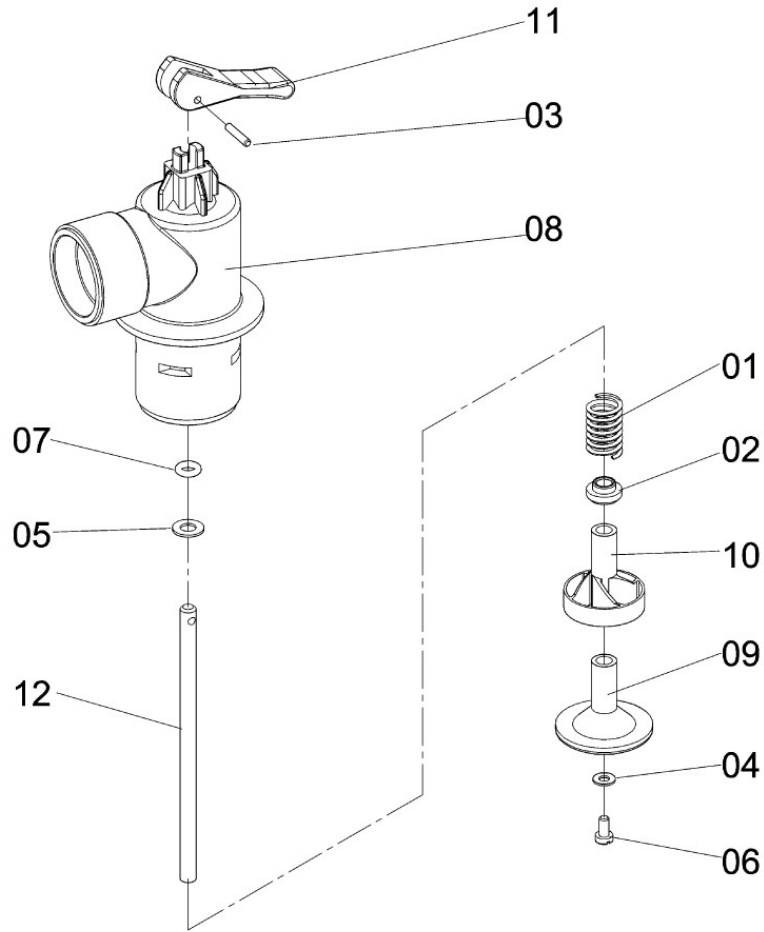
FAN ASSEMBLY



V-11

Item	CODE	DESCRIPTION	Qty.	Item	CODE	DESCRIPTION	Qty.
00	348995	Fan assembly	1				
01	013433	Flat washer	26				
02	018481	Flange hub	1				
03	018663	Blade fastening flange (outer)	2				
04	038661	Fan blade 850	10				
05	298182	Pin \varnothing 8.40 x 14	10				
06	519736	Lock washer M8	16				
07	625533	Flexible pin (heavy) 4 x 24	1				
08	721704	Hex. bolt 5/16" UNC 1.1/4"	6				
09	826693	Bolt \varnothing 5/16" x 1.1/2"	10				
10	912758	Hex. nut 5/16" - 18 UNC	10				
11	937607	Bushing \varnothing 17.6 x 16	8				
12	939140	Screw M6 x 16	8				

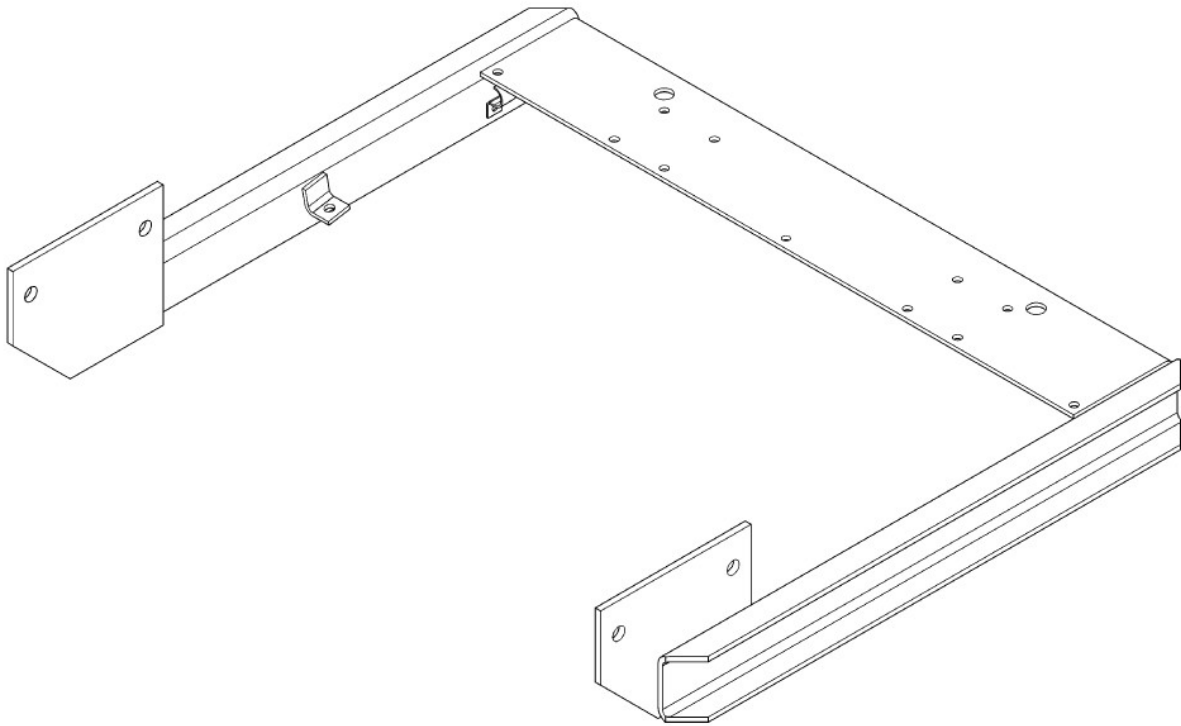
DIRECTIONAL VALVE



CV-167

Item	CODE	DESCRIPTION	Qty.	Item	CODE	DESCRIPTION	Qty.
00	054395	Directional valve	1				
01	044057	Compression spring 12.7	1				
02	048199	Seal	1				
03	049858	Lever pin	1				
04	050187	Flat washer 43 x 90 x 8	1				
05	050195	Flat washer 64 x 125 x 95 stainless steel	1				
06	050211	Screw M4 x 8	1				
07	050237	O-ring OR2-108	1				
08	054403	Valve body	1				
09	054429	Piston cup	1				
10	054437	Guide	1				
11	054445	Rinse nozzle lever	1				
12	054452	Spring Guide Pin	1				

REAR BUMPER

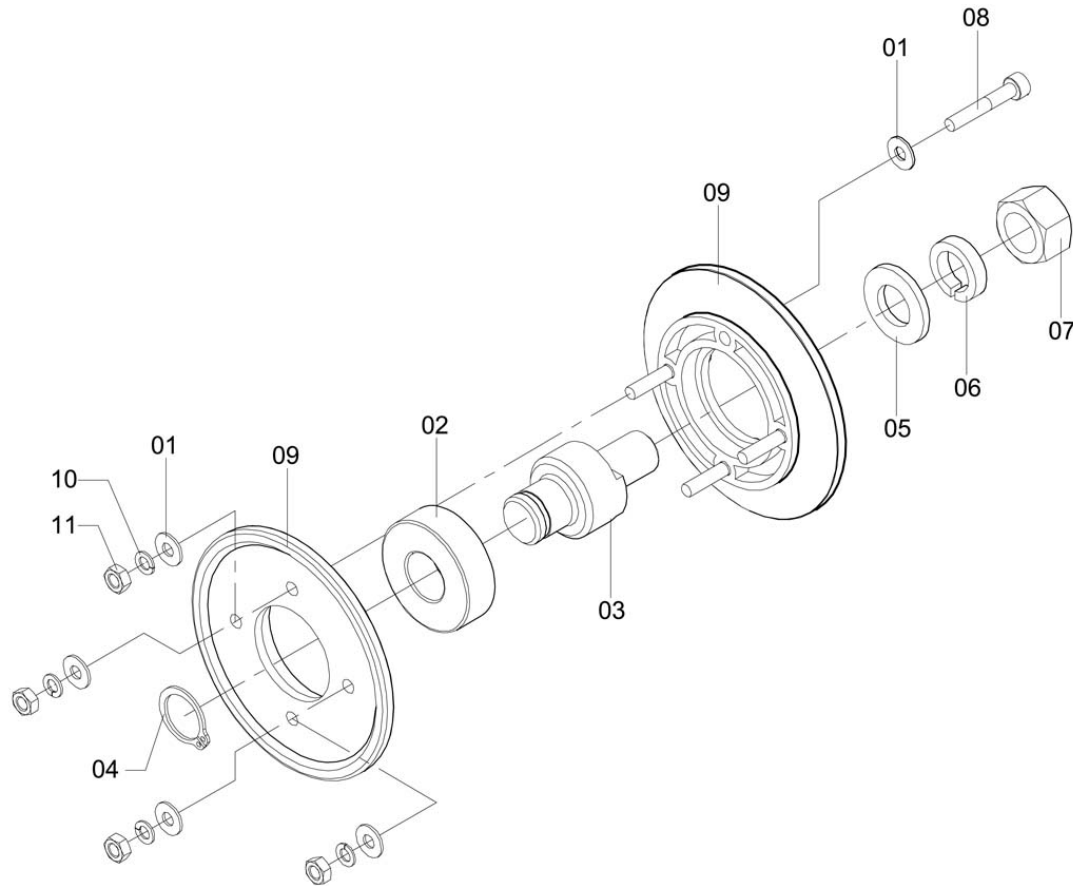


C-107

Item	CODE	DESCRIPTION	Qty.
00	941971	Rear bumper	1

Item	CODE	DESCRIPTION	Qty.

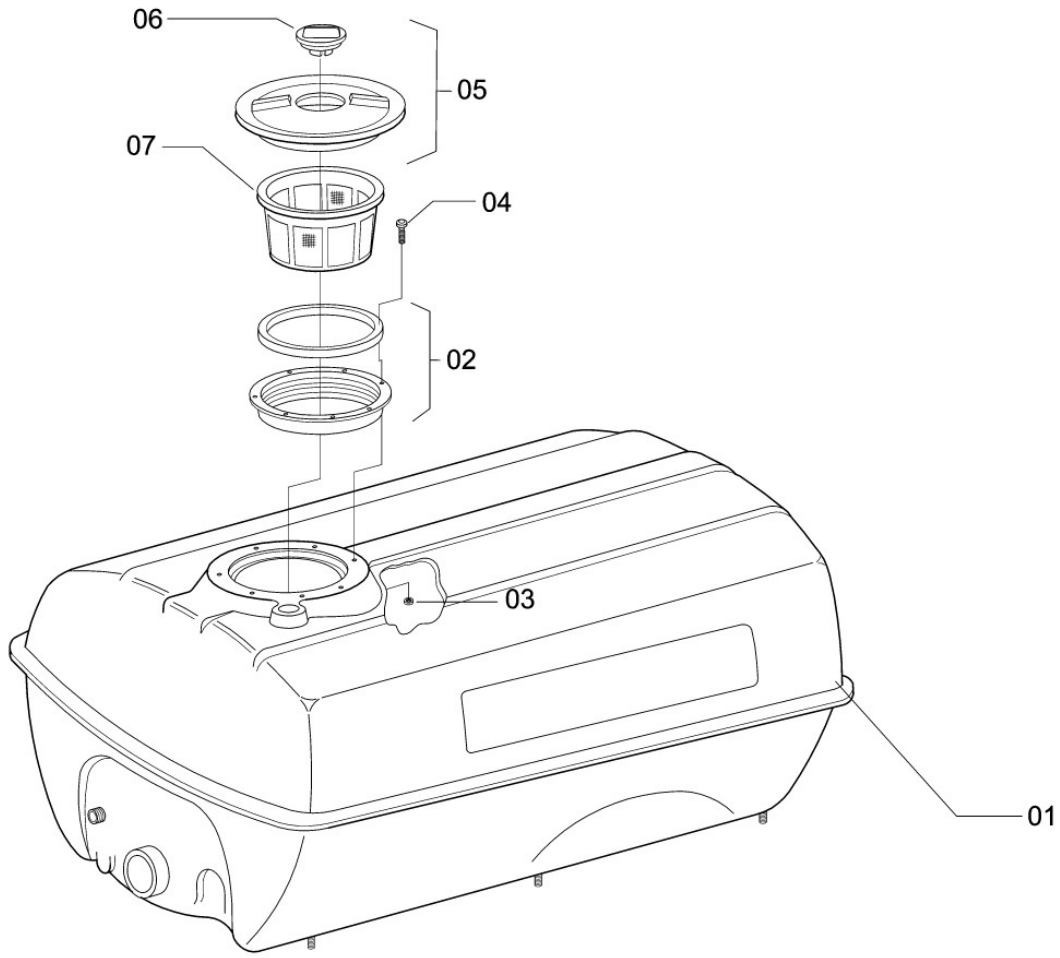
TIGHTENING PULLEY ASSEMBLY 78 (SHAFT Ø 15 X 50,5)



LE-14

Item	CODE	DESCRIPTION	Qty.	Item	CODE	DESCRIPTION	Qty.
00	645416	Tightening pulley assembly 78 (Shaft ø 15 x 50,5)	1				
01	508515	Flat washer no. 43 x 102 x 8	8				
02	328781	Fixed bearing	1				
03	817627	Tightening pulley shaft 15 x 50.5	1				
04	910851	Snap ring for shaft 15	1				
05	818112	Flat washer 130 x 240 x 30	1				
06	908582	Lock washer 1/2"	1				
07	912790	Hex. nut 1/2" - 13 UNC	1				
08	1148396	Screw M4 X 0.7 MM 25 Comp	4				
09	644641	Pulley disk ø 78 - 1A	2				
10	520700	Lock washer M4	4				
11	551523	Hex. nut M-4 x 0.7 stainless steel	4				

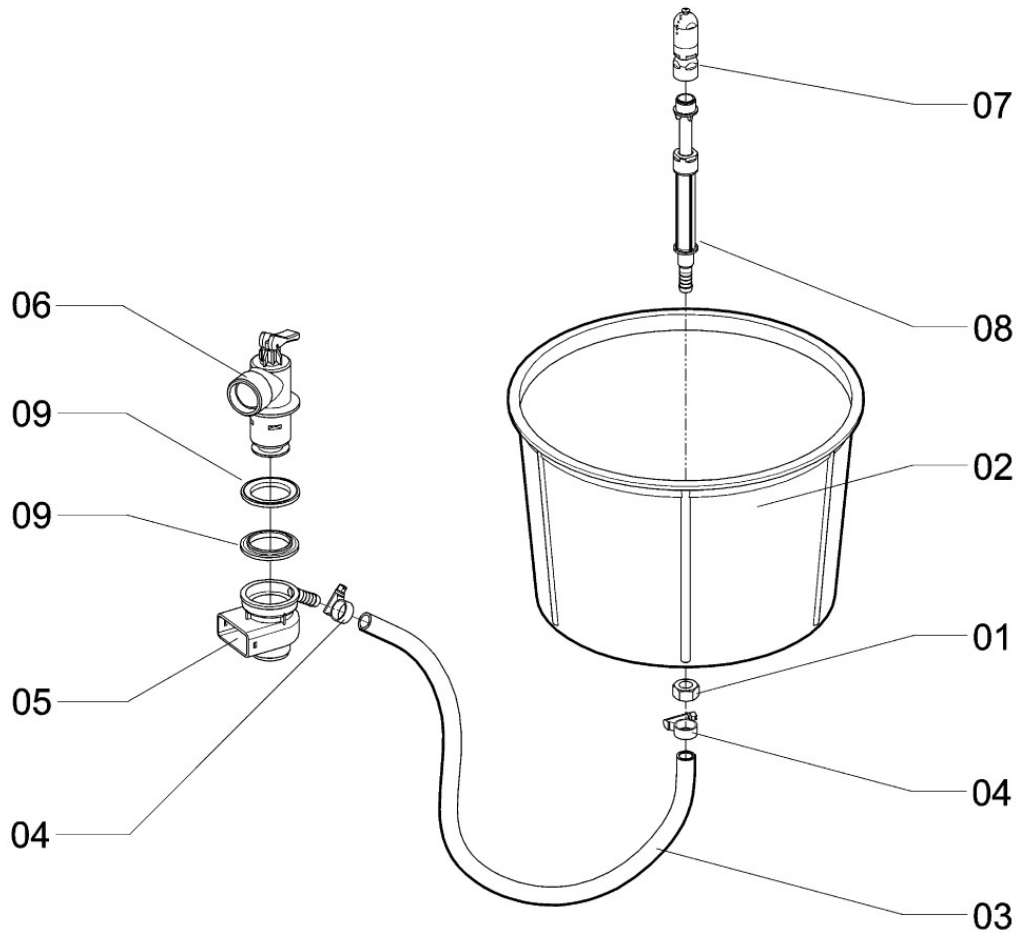
2,000-LITER TANK



D-23

Item	CODE	DESCRIPTION	Qty.	Item	CODE	DESCRIPTION	Qty.
00	749499	2,000-liter tank	1				
01	749507	Tank 2029	1				
02	349548	Screw rim with seal	1				
03	314799	Flat washer 52 x 160 x 12.4	8				
04	442202	Rivet 4.8 x 17.2 - stainless steel	8				
05	338103	Plastic lid assembly	1				
06	457903	Central cover with breather	1				
07	349555	Strainer	1				

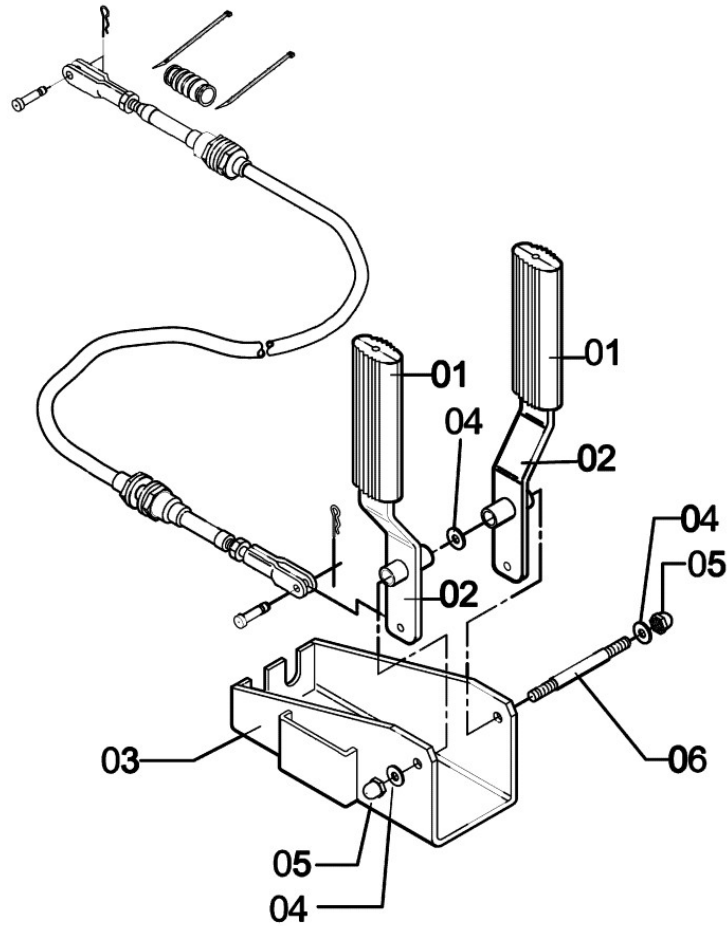
CHEMICAL CONTAINER RINSE NOZZLE KIT



KIT-24

Item	CODE	DESCRIPTION	Qty.	Item	CODE	DESCRIPTION	Qty.
00	134239	Chemical container rinse nozzle kit	1				
01	938498	Hex. nut M16 x 2.00	1				
02	134007	Strainer	1				
03	071886	Hose 12.7 (1/2") x 600	1				
04	107664	Clamp D14-22 - stainless steel	2				
05	054411	Valve fastener	1				
06	054395	Directional valve	1				
07	071944	Rinse nozzle	1				
08	088237	Chemical container rinse nozzle rod	1				
09	088245	Packing ring	2				

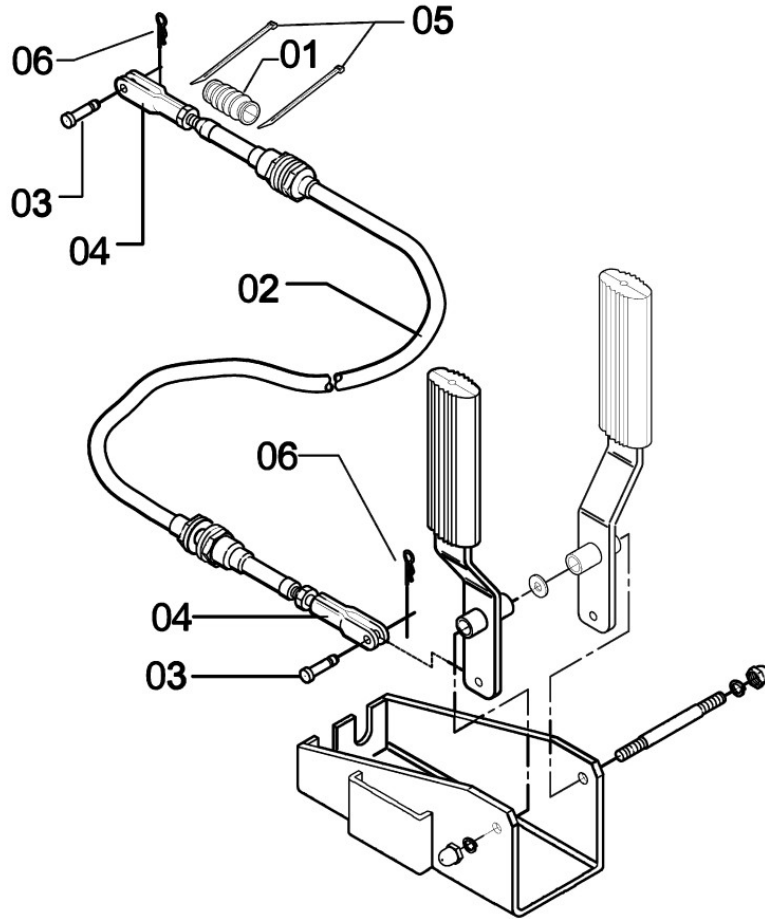
SPRAY CONTROL ACTUATOR



CV-120

Item	CODE	DESCRIPTION	Qty.	Item	CODE	DESCRIPTION	Qty.
00	431692	Spray control actuator	1				
01	002683	Handrip	2				
02	356741	Lever	2				
03	431700	Lever support	1				
04	013433	Flat washer	3				
05	945832	Box nut M8 x 1,0	2				
06	947762	Stud bolt	1				

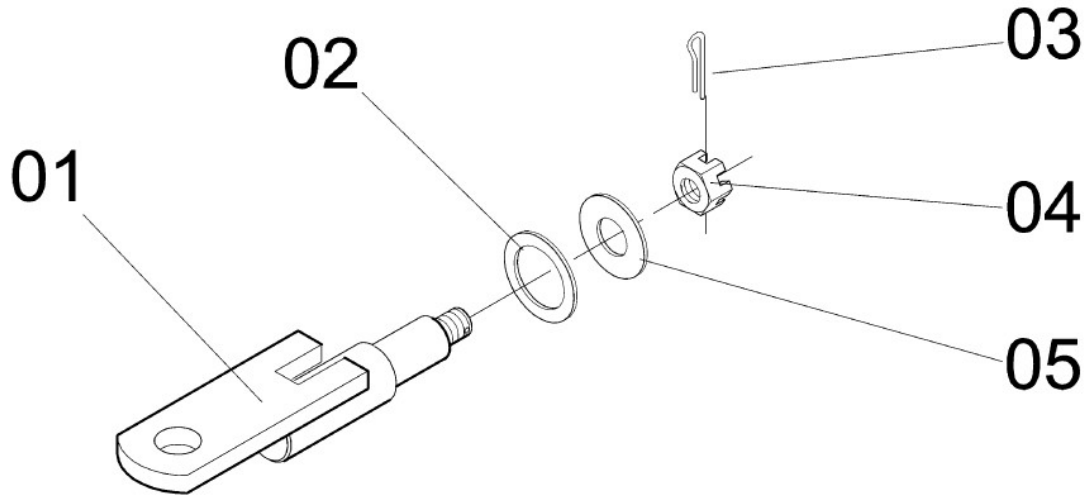
FLEXIBLE CABLE WITH COUPLING END



CV-121

Item	CODE	DESCRIPTION	Qty.	Item	CODE	DESCRIPTION	Qty.
00	438291	Flexible cable with coupling end	1				
01	058164	Bellows protector	2				
02	228411	Flexible cable	1				
03	431510	Joint pin	2				
04	458323	Coupling end 53.5	2				
05	825406	Hose tie T 018 R	2				
06	942904	Lock cotter pin \varnothing 2.1 x 84.5	2				

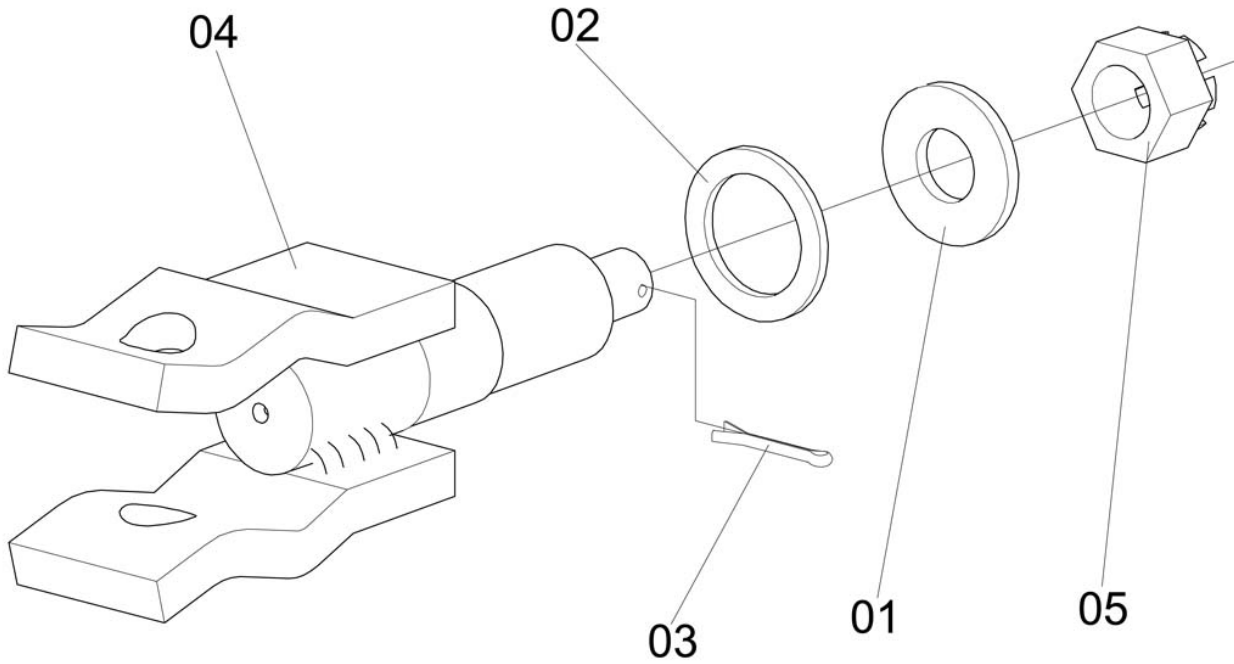
TRAILER HITCH NO. 8



C-104

Item	CODE	DESCRIPTION	Qty.	Item	CODE	DESCRIPTION	Qty.
00	683953	Trailer hitch no. 8	1				
01	945436	Trailer hitch no. 8	1				
02	007567	Flat washer 500 x 700 x 47.5	1				
03	209023	Cotter pin 1/4" x 2.1/2"	1				
04	625160	Castle nut 1.1/8" - 7 UNC	1				
05	001982	Flat washer 300 x 650 x 63	1				

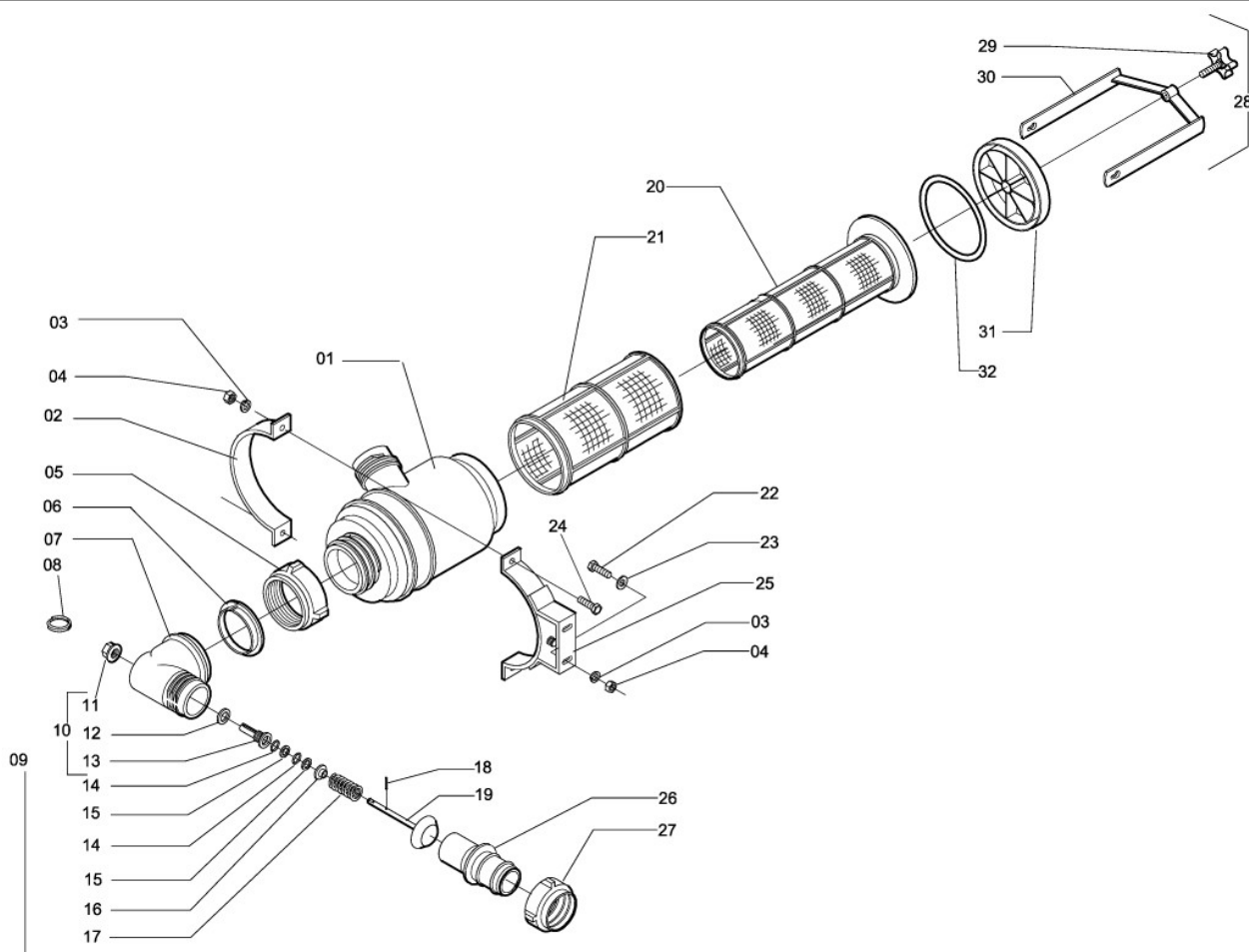
TRAILER HITCH



C-89

Item	CODE	DESCRIPTION	Qty.	Item	CODE	DESCRIPTION	Qty.
00	487215	Trailer hitch	1				
01	001982	Flat washer 300 x 650 x 63	1				
02	007567	Flat washer 500 x 700 x 47.5	1				
03	209783	Cotter pin \varnothing 3/16" x 1.1/2"	1				
04	620815	Trailer hitch	1				
05	625160	Castle nut 1.1/8" - 7 UNC	1				

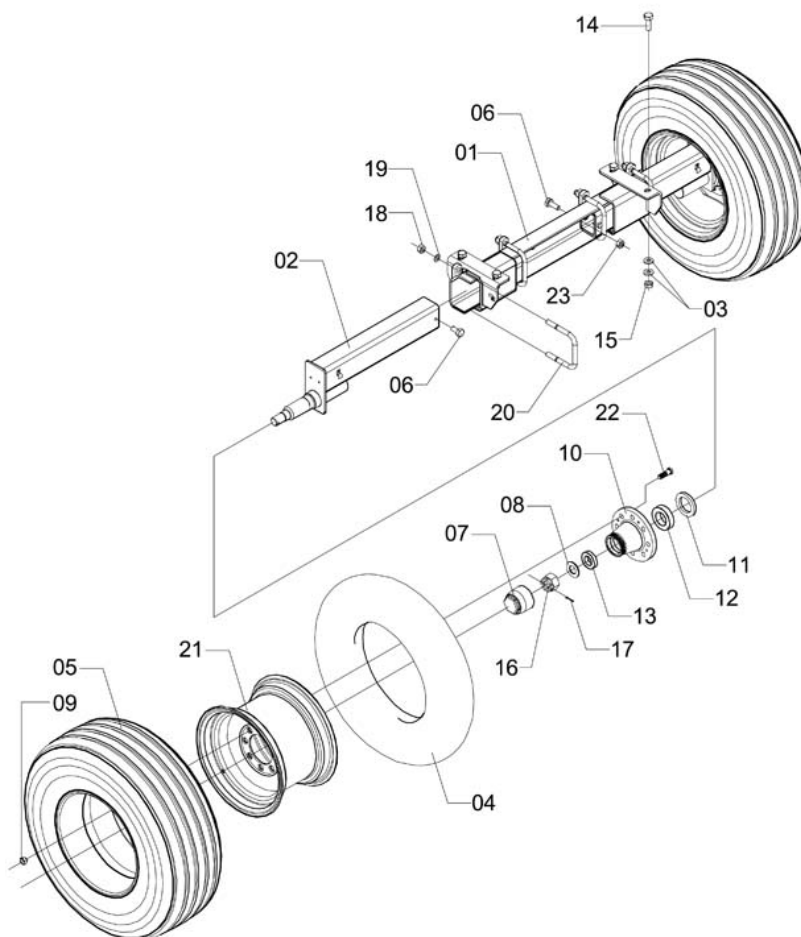
SUCTION FILTER FVS-200



F-2

Item	CODE	DESCRIPTION	Qty.	Item	CODE	DESCRIPTION	Qty.
00	941344	Suction Filter FVS-200	1	26	534412	Hose fitting \varnothing 2"	1
01	941336	Suction filter body	1	27	005900	Coupling nut	1
02	817379	Half-strap	1	28	834069	Handle assembly	1
03	908566	Lock washer \varnothing 3/8"	2	29	011734	Knobbed screw	1
04	912774	Hex. nut 3/8" - 16 UNC	2	30	817403	Handle	1
05	534453	Union nut	1	31	817395	Cover with seat	1
06	534545	Lock ring	1	32	726695	Packing ring	1
07	534420	Valve body	1		515734	Sticker: "Clean filter..."	1
08	012146	Key ring \varnothing 40	1				
09	834051	Valve assembly	1				
10	834044	Valve guide	1				
11	537423	Nut \varnothing 1/2" BSP	1				
12	010827	Packing ring \varnothing 29 x 22 x 3	1				
13	615021	Valve guide	1				
14	416669	O-ring OR1-110	2				
15	005975	Spacer washer	2				
16	005967	Spring seat	1				
17	006148	Compression spring	1				
18	105288	Flexible pin \varnothing 4 x 20 (heavy)	1				
19	534438	Valve	1				
20	817353	Triple filtering element 820 with flange	1				
21	817346	Double filtering element	1				
22	663161	Bolt 3/8" - 16 UNC x 7/8"	2				
23	422436	Flat washer 104 x 254 x 19	2				
24	912709	Bolt \varnothing 3/8" - 16 UNC x 1"	2				
25	732115	Half-strap with bracket	1				

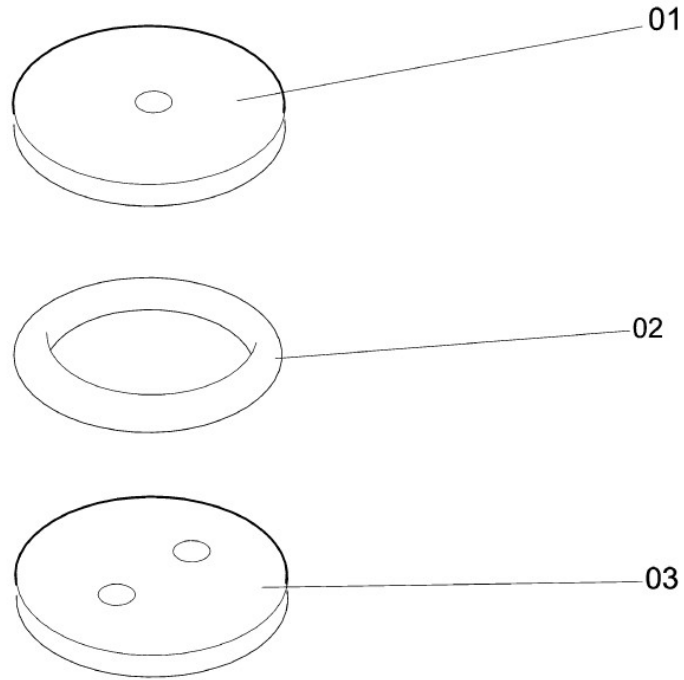
ADJUSTABLE AXLE N° 13



EX-115

Item	CODE	DESCRIPTION	Qty.	Item	CODE	DESCRIPTION	Qty.
00	997551	Adjustable axle n° 13	1				
01	997569	Axle fixed body	1				
02	997619	Axle moving end	2				
03	881300	Flat washer 170 x 380 x 3.0	8				
04	323402	Inner tube 11 L - 15	2				
05	429761	Tire 11L - 15 - 10 ply	2				
06	757559	Hex. bolt M10 x 30 x 1.25	4				
07	610188	Hub cap	2				
08	881334	Flat washer 330 x 650 x 31	2				
09	700377	Lug nut \varnothing 5/8" - 18 UNF	16				
10	715706	Wheel hub	2				
11	715789	Retainer 60 x 90.30 x 10	2				
12	715805	Cone bearing	2				
13	717173	Cone bearing	2				
14	984963	Hex. bolt M16 x 50 x 1.50	4				
15	044107	Parlock hex. nut M16 x 1.50	4				
16	831347	Castle nut M30 x 2"	2				
17	831354	Cotter pin \varnothing 6.30 x 50.8	2				
18	826297	Hex. nut M-16 x 2.00	8				
19	764142	Lock washer M16	8				
20	997882	U-clip	4				
21	998294	Rim 10 LB-15 with 8 holes	2				
22	715797	Bolt \varnothing 5/8" x 18 UNF x 5	16				
23	907030	Hex. nut M10 x 1.25	2				
	097428	Sticker: "Minimum Track Width Recommended"	1				

CONE NOZZLE J4-2



BC-23

Item	CODE	DESCRIPTION	Qty.	Item	CODE	DESCRIPTION	Qty.
00	325423	Cone nozzle J4-2	1				
01	325332	Disk J-4	1				
02	642462	Spacer ring	1				
03	325373	Swirl core J-2	1				

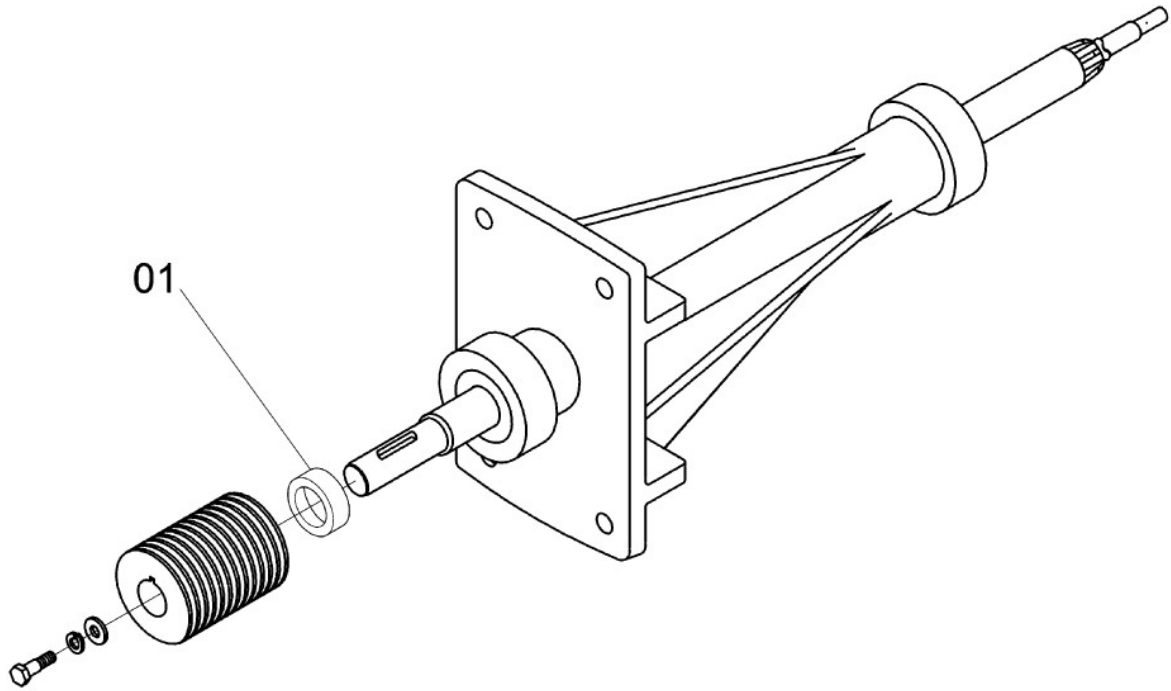
STICKER: "ARBUS 200 SE"



ADS-59

Item	CODE	DESCRIPTION	Qty.	Item	CODE	DESCRIPTION	Qty.
00	280263	"Arbus Super Export" decal	1				

SPACER 15

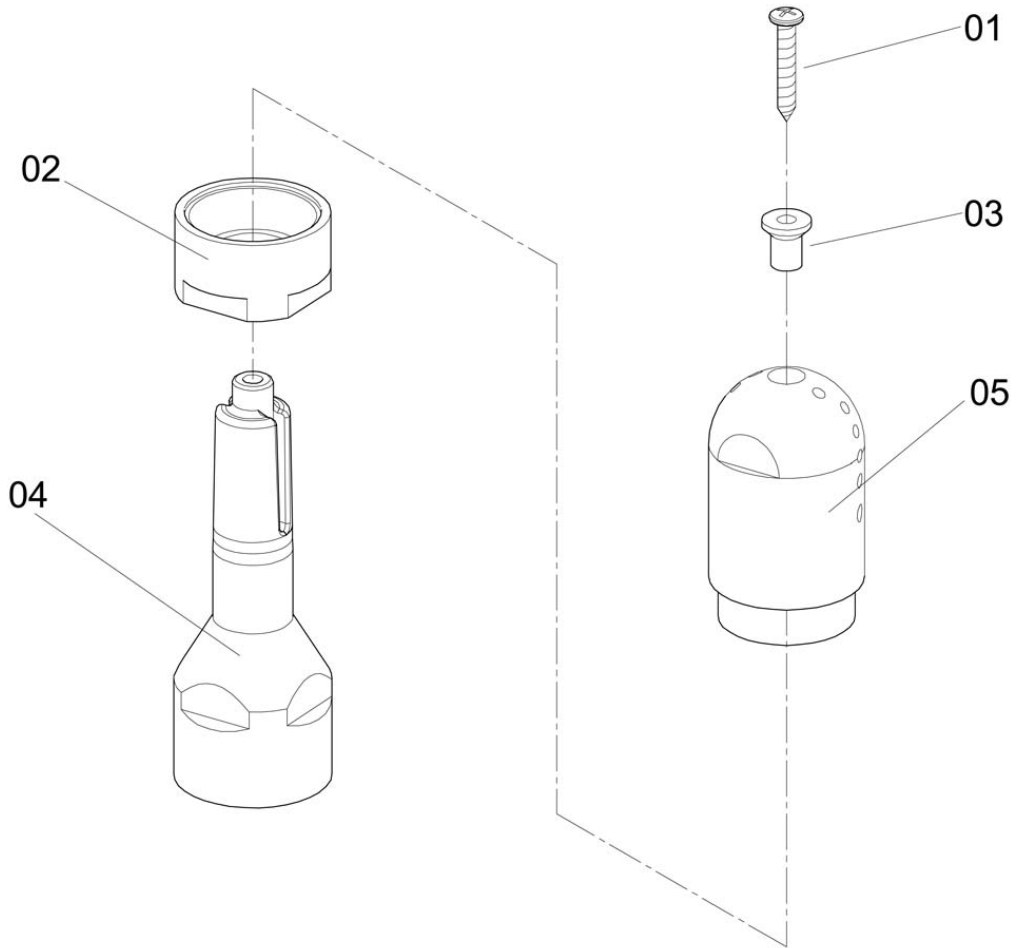


TMV-28

Item	CODE	DESCRIPTION	Qty.
00	728576	Spacer 15	1
01	728576	Spacer 15	1

Item	CODE	DESCRIPTION	Qty.

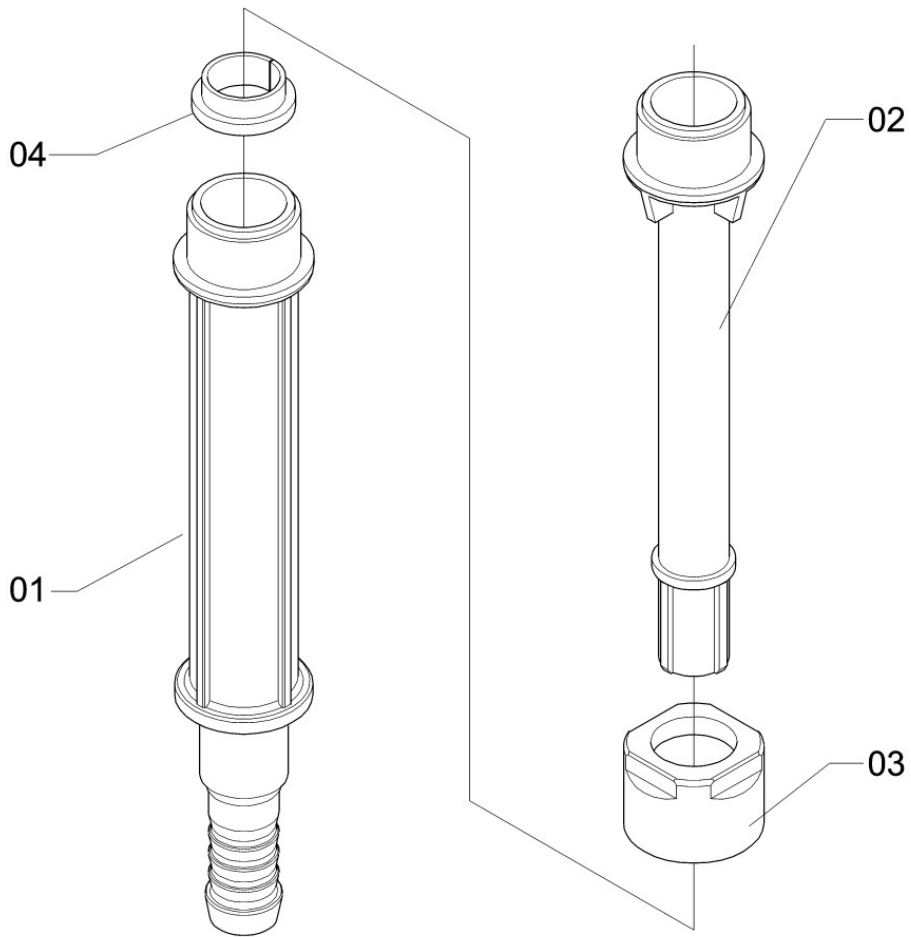
RINSE NOZZLE



KIT-75

Item	CODE	DESCRIPTION	Qty.	Item	CODE	DESCRIPTION	Qty.
00	071944	Rinse nozzle	1				
01	483628	Bolt 2.9 x 22	1				
02	059055	Nozzle nut	1				
03	061119	Bushing	1				
04	058909	Nozzle core	1				
05	060426	Nozzle body	1				

CHEMICAL CONTAINER RINSE NOZZLE ROD



KIT-76

Item	CODE	DESCRIPTION	Qty.
00	088237	Chemical container rinse nozzle rod	1
01	058834	Nozzle rod	1
02	083907	Rod extension	1
03	087882	Extension nut	1
04	134221	Lock ring	1

Item	CODE	DESCRIPTION	Qty.