

Arbus 2000 Super Export

English version

EDITION - 02/2015

CODE - 0

Parts catalog



MEQUINAS AGRICOLAS JACTO S.A.

Rua Dr. Luiz Miranda, 1650

17580-000 - Pomприя - SP - Brasil

Tel.: +55 14 3405-2100 - Fax: +55 14 3452 1306

E-mail: export@jacto.com.br

Home page: <http://www.jacto.com.br>

ARBUS 2000

EQUIPMENT	PAGE
Arbus 2000 Super Export.....	4

Arbus 2000 Super Export

(Edition: 2015/02)

ENTIRE ASSEMBLIES	PAGE
ACCESSORIES BOX	
ACTUATOR HOLDER ASSEMBLY	92
ASSEMBLY - COMBINATION WRENCH + SCREW WRENCH (FOR EXPORT)	87
CLIP PLATE	89
ELECTRIC PANEL EC-4400	93
FILLER UNIT JP-150 WITHOUT HOSE	16
HOSE 5/8" WITH FITTING 1.1/4" C	86
HOSE W 5/8" X 10000 WITH NOZZLE AND NUT	88
JACTO FILLER UNIT FOR 150 L/MIN WITH HOSE 10-METERS	91
JACTO FILLER UNIT FOR 150 L/MIN WITH HOSE 5-METERS	90
BRANCHES ASSEMBLY	
BANCH ASSEMBLY - 18 BIJET NOZZLE HOLDERS - LEFT	159
BIJET NOZZLE HOLDER WITH NON-DRIP VALVE	154
BRANCH ASSEMBLY - 14 NOZZLE HOLDERS	155
BRANCH ASSEMBLY - 18 BIJET NOZZLE HOLDERS - RIGHT	160
BRANCH ASSEMBLY - 24 NOZZLE HOLDERS - LEFT	162
BRANCH ASSEMBLY - 24 NOZZLE HOLDERS - RIGHT	163
BRANCH ASSEMBLY - 34 NOZZLE HOLDERS - LEFT	165
BRANCH ASSEMBLY - 34 NOZZLE HOLDERS - RIGHT	166
BRANCH ASSEMBLY - 8 NOZZLE HOLDERS	157
BRANCH PROTECTION AND COMPLEMENTS	150
BRANCH W 18 DOUBLE NOZZLE HOLDERS	151
BRANCH W 34 FIXED NOZZLE HOLDERS	149
BRANCH WITH	158
BRANCH WITH 24 FIXED NOZZLE HOLDERS AG (VA/SE)	161
BRANCH WITH 34 FIXED NOZZLE HOLDERS AG (VA/SE)	164
BRANCHES WITH 19 VALVES	145
BRANCHES WITH FIXED 24 NOZZLE-HOLDERS	148
DEFLECTOR- 2P (VA)	140
DEFLECTOR 2P AND COMPLEMENTS	152
DEFLECTOR BRANCH FOR 14 NOZZLES (VOLUTE)	137
DOUBLE NOZZLE HOLDER	139
GUARD SCREEN - ASSEMBLY	141
HIGH 3P DEFLECTOR (VOLUTE)	40
LEFT BRANCH FOR 18 NOZZLES	143
LEFT BRANCH FOR 18 NOZZLES	146
LOWER SWIRL CORE	142
LOWER VANE - ASSEMBLY	153
NOZZLE VALVE AAEMBLY	136
RIGHT BRANCH FOR 18 NOZZLES	147
RIGHT BRANCH FOR 18 NOZZLES	144
SIDE GUARD ASSEMBLY	48
SINGLE NOZZLE HOLDER WITH NONDRIP VALVE	156
UPPER SWIRL CORE ASSEMBLY	36
UPPER SWIRL CORE ASSEMBLY	46
UPPER SWIRL CORE WITH 14-NOZZLE BRANCH	38
UPPER SWIRL CORE WITH 14-NOZZLE BRANCH - AG	50
UPPER SWIRL CORE WITH 8 NOZZLE HOLDERS	44
UPPER VANE - ASSEMBLY	42
UPPER VOLUTE BRANCH FOR 8 NOZZLES	138
UPPER VOLUTE BRANCH FOR 8 NOZZLES	135
CHEMICAL CIRCUIT AND COMPLEMENTS	
ACTUATOR	73
ASSEMBLY LEVER	72
CABLE DIRECTIONAL VALVE (0-40 KGF/CMl)	12
CHEMICAL CIRCUIT	14
FLEXIBLE	77
FLEXIBLE COUPLING 9	79
HOSE - CONTROL / TUBING	74
HOSE - FILTER / TANK	71
HOSE - VALVE TO ONE-WAY VOLUTE DEFLECTOR	70
HOSE 3/4" BSP X 500 FOR SENSORFLOW - QUICK FITTING	82
HOSE W 1.1/4" X 1600 C	75
HOSE W 3/4" BSP X 600 FOR MACHINE WITHOUT SENSORFLOW	76
LEVEL INDICATOR	81
MECHANICAL AGITATOR 2005 - 02	80
PRESSURE HOSE 1" BSP X 450	78

Arbus 2000 Super Export (Edition: 2015/02)

Continuation

ENTIRE ASSEMBLIES	PAGE
COWLING AND COMPLEMENTS	
3-WAY VALVE - MODEL B	7
FRONT HOOD ASSEMBLY	54
HOOD WITH 90-LITER TANK AND COVER	173
HOSE - FILTER / COWLING	175
HOSE - PUMP / FILTER	174
SUCTION FILTER WITH VALVE 200 L/MIN	176
ELECTRIC CIRCUIT AND COMPLEMENTS	
50 MESH IN-LINE FILTER	94
50 MESH IN-LINE FILTER	101
CONNECTION CABLE	97
ELECTRIC CIRCUIT (SE)	20
ELECTRIC MODULE	104
ELECTRIC MODULE	98
ELECTRIC VALVE	18
FLEXIBLE HOSE - \varnothing 3/4 X 740 WITH QUICK FITTING END	105
FLEXIBLE HOSE - \varnothing 3/4 X 360 WITH 90° END	106
FLEXIBLE \varnothing 3/4 X 190 WITH COUPLING END 90°	100
FLEXIBLE \varnothing 3/4 X 370 WITH COUPLING END 90° X 0° ER.	99
POWER GENERATOR - V	102
SENSOR HOUSING	96
TENSION GENERATOR BEARING ASSEMBLY	103
TREE SENSOR VII	95
OPTIONAL ITEMS	
DISKS SET	132
GUN KIT WITH 12-M HOSE AND QUICK FITTING	134
LIGHT ASSEMBLY - EAST EUROPE	133
SPRAY GUN FOR CITRUS	131
PTO SHAFT Y COMPLEMENTS	
PTO SHAFT	85
PTO SHAFT 710 (Z= 6 X \varnothing 35)	83
WIDE ANGLE CV PTO SHAFT - 1110 Z= 8 X \varnothing 35	84
PUMP AND COMPLEMENTS	
PUMP ASSEMBLY - JP-100 CF CERRADO/GC	128
PUMP JP-150 ASSEMBLY	34
PUMP JP-190 ASSEMBLY	28
PUMP VALVE	126
SPRAY PUMP JP-150 AND COMPLEMENTS	30
SPRAY PUMP JP-100	129
SPRAY PUMP JP-190 AND COMPLEMENTS	32
TIGHTENING PULLEY ASSEMBLY 78-1A (SHAFT \varnothing 15 X 50,5)	130
VALVE FOR PUMP \varnothing 24 - MODEL "D"	127
STICKERS	
DECAL: (ARBUS 2000 SE)	170
STICKER (PROCEDURE FOR BELT TENSIONING)	171
STICKER (TRAILER ARBUS LINE)	52
STICKER: (SUPER EXPORT)	169
STICKER: DRAWBAR ADJUSTMENT (ENGLISH)	168
STICKER: DRAWBAR ADJUSTMENT (PORTUGUE)	172
STICKER: DRAWBAR ADJUSTMENT (SPANISH)	167
TANK AND COMPLEMENTS	
2000-LITER TANK AND COMPLEMENTS	22
CHEMICAL CONTAINER RINSE NOZZLE	109
CHEMICAL CONTAINER RINSE NOZZLE KIT	107
CHEMICAL CONTAINER RINSE NOZZLE ROD	110
DIRECTIONAL VALVE	108
ITALIAN LID	112
TANK 2000-LITER	111

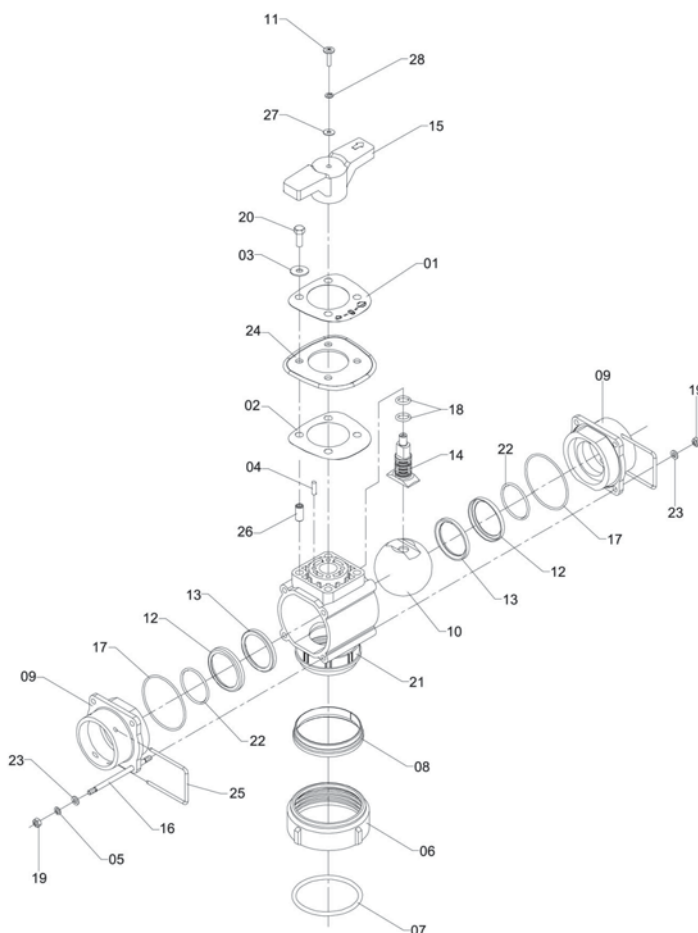
Arbus 2000 Super Export

(Edition: 2015/02)

Continuation

ENTIRE ASSEMBLIES	PAGE
TRAILER AND COMPLEMENTS	
ADJUSTABLE AXLE NO 26	57
ADJUSTABLE AXLE NR. 13	10
ARTICULATED HITCH	61
ARTICULATED HITCH ASSEMBLY - TRACTOR CLASS "I" ASAE	60
BUMPER FASTENING	67
FIXED HITCH WITH EYE	64
HOSE PROTECTOR	63
JACK NO. 10	56
REAR BUMPER	68
REAR BUMPER	69
REAR PLATFORM	62
SENSOR SUPPORT COMPLEMENTS	65
TIRE ASSEMBLY 11LB X 15 WITH 8-HOLE WHEEL	59
TRAILER ASSEMBLY	8
TRAILER HITCH NO. 8	66
WHEEL HUB ASSEMBLY - 8 HOLES	58
TRANSMISSION AND COMPLEMENTS	
ANTIFRICTION BEARING NO. 31 WITH PULLEY 88	124
ANTIFRICTION BEARING NO. 31 WITH PULLEY 88 S	123
ANTIFRICTION BEARING NO.27	121
ANTIFRICTION BEARING NO.28	122
ANTIFRICTION BEARING NO.29	115
DRIVE TRANSMISSION AND COMPLEMENTS	24
DRIVEN TRANSMISSION AND COMPLEMENTS	26
FAN BEARING WITH PULLEY 105	125
FAN WITH PLASTIC BLADES	113
GROOVED HUB WITH HITCH	114
PULLEY W 200-6-3V	117
PULLEY W 332-12-3V	119
PULLEY W 228-6-3V	118
ROLLER BEARING N ϵ 30	116
TRAPEZOID BELT SUPER HC 4/3V - 0900	120

3-WAY VALVE - MODEL B

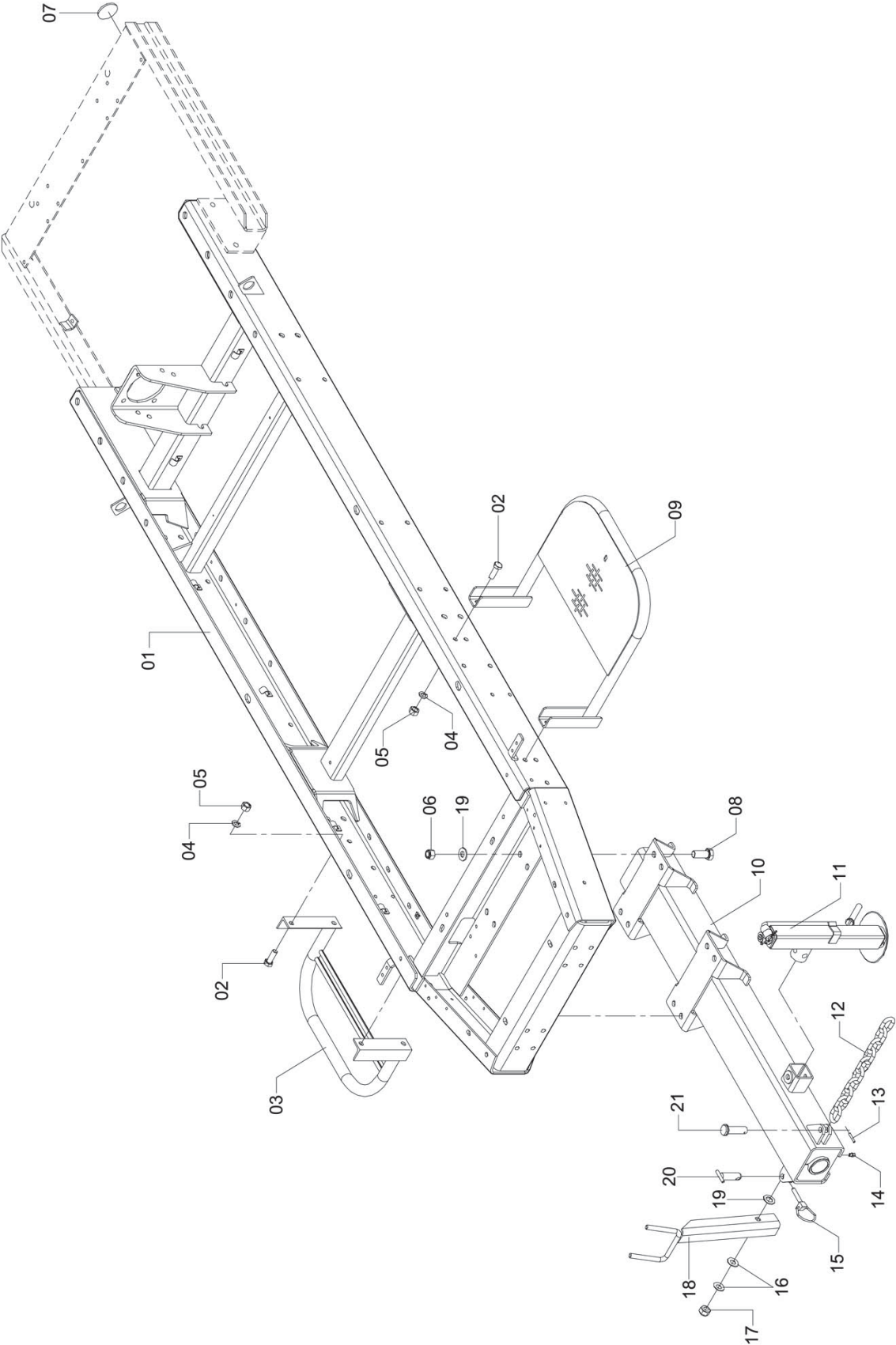


CV-244

Item	CODE	DESCRIPTION	Qty.	Item	CODE	DESCRIPTION	Qty.
00	287953	3-way valve - Model B	1				
01	378786	Sticker: "Valve Operation" (Right)	1				
02	378794	Sticker: "Valve Operation" (Left)	1				
03	413468	Flat washer \varnothing 6.8 x 18 x 1.2 - stainless steel	4				
04	048132	Stop pin	2				
05	521666	Lock washer \varnothing 5 - stainless steel	4				
06	534453	Union nut	1				
07	592709	Packing ring OR1-233	1				
08	593673	Lock ring	1				
09	065912	Valve Flange	2				
10	065953	Ball - 3-way	1				
11	281790	Self-tapping screw \varnothing 4 x 20	1				
12	065995	Seal seat	2				
13	066001	Seat guide	2				
14	066027	Core dragging rod	1				
15	066035	Level	1				
16	066076	Stud bolt M6 x 120 x 1,00 - Inox	4				
17	737759	O-ring OR1-151	2				
18	763649	Packing ring "O-ring" OR1-115	2				
19	810689	Hex. nut M6 x 1 CL8	8				
20	829507	Hex. head bolt M6 x 1 x 16 CL8.8	4				
21	287540	3-way Valve Body - Assembly	1				
22	096032	Packing ring \varnothing 60,8 x 50,2	2				
23	358267	Flat washer 64 x 125 x 16	8				
24	378778	Stickers holder	1				
25	970103	Lock 56	2				
26	095794	Insert M6 x 14	4				
27	762088	Flat washer 37 x 110 x 8	1				
28	520700	Lock washer \varnothing 4.3 x 7.1 x 1	1				

Controlled copy – Distribution and reproduction prohibited

TRAILER ASSEMBLY



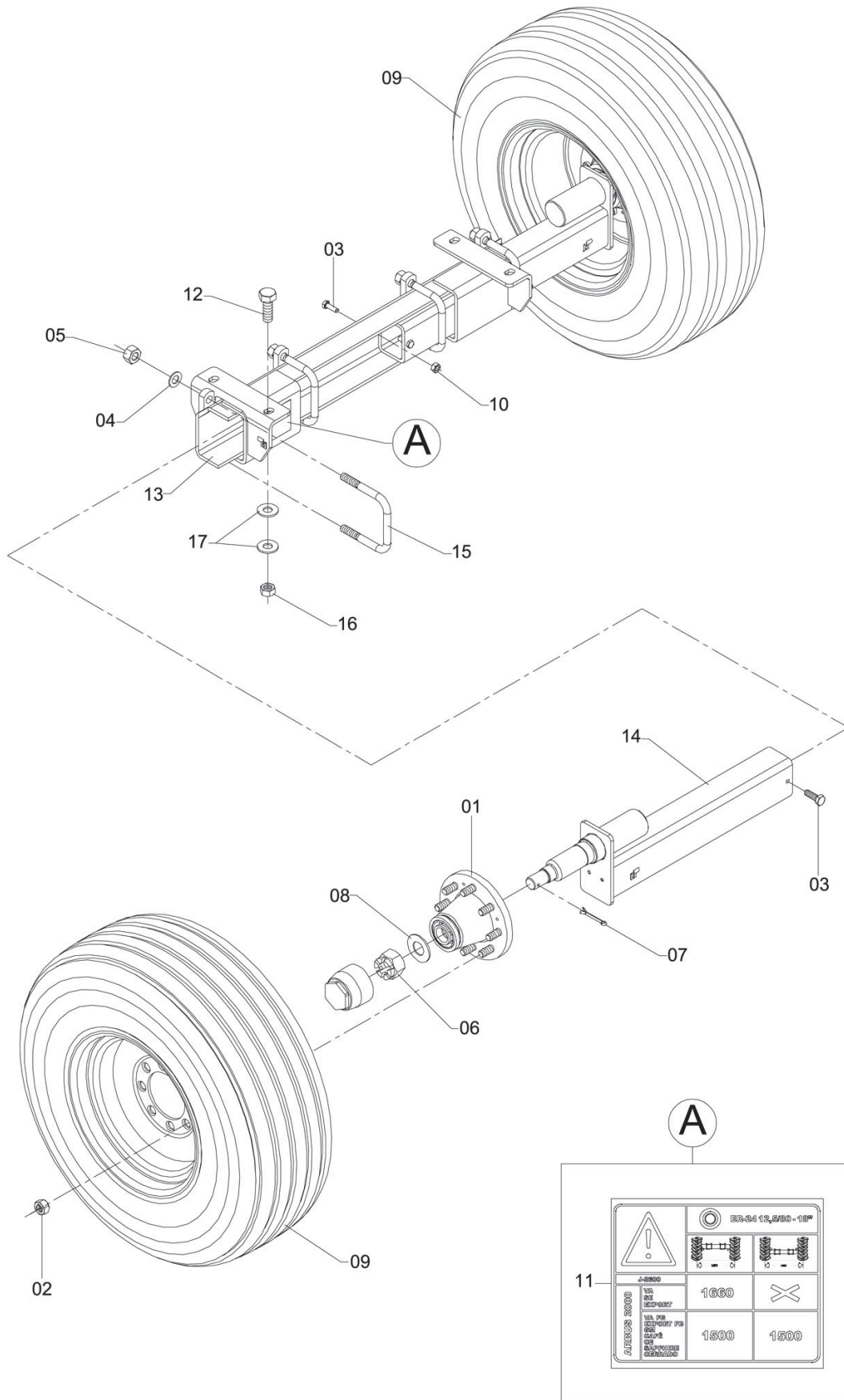
C-719

TRAILER ASSEMBLY

Continuation

Item	CODE	DESCRIPTION	Qty.	Item	CODE	DESCRIPTION	Qty.
00	288563	Trailer assembly	1				
01	076109	Chassi	1				
02	280925	Hex. head bolt M12 x 35 x 1,50	4				
03	724344	Filter guard rail	1				
04	209163	Lock washer M12	4				
05	427013	Nut ABTN - 1020 thread M12 x 1,5 CL8	4				
06	044107	Parlock hex. nut M16 x 1.50	8				
07	097360	Reflector	2				
08	984963	Hex. bolt M16 x 50 x 1.50	8				
09	749127	Platform	1				
10	233833	Trailer tongue	1				
11	431064	Jack no. 10	1				
12	118216	Chain 2200	1				
13	330076	Flexible pin \varnothing 4 x 16 (heavy)	1				
14	910463	Grease nipple 1/4" - 28 UNF	1				
15	330407	Universal lock pin 5/16"	1				
16	715979	Flat spring	2				
17	202663	Hex. nut 1/2" - 13 UNC	1				
18	556704	PTO shaft support	1				
19	881243	Flat washer \varnothing 17 x 30 x 1,9 - stainless steel	9				
20	118190	Chain fastening pin	1				
21	104836	Cylinder axle	1				

ADJUSTABLE AXLE NR. 13



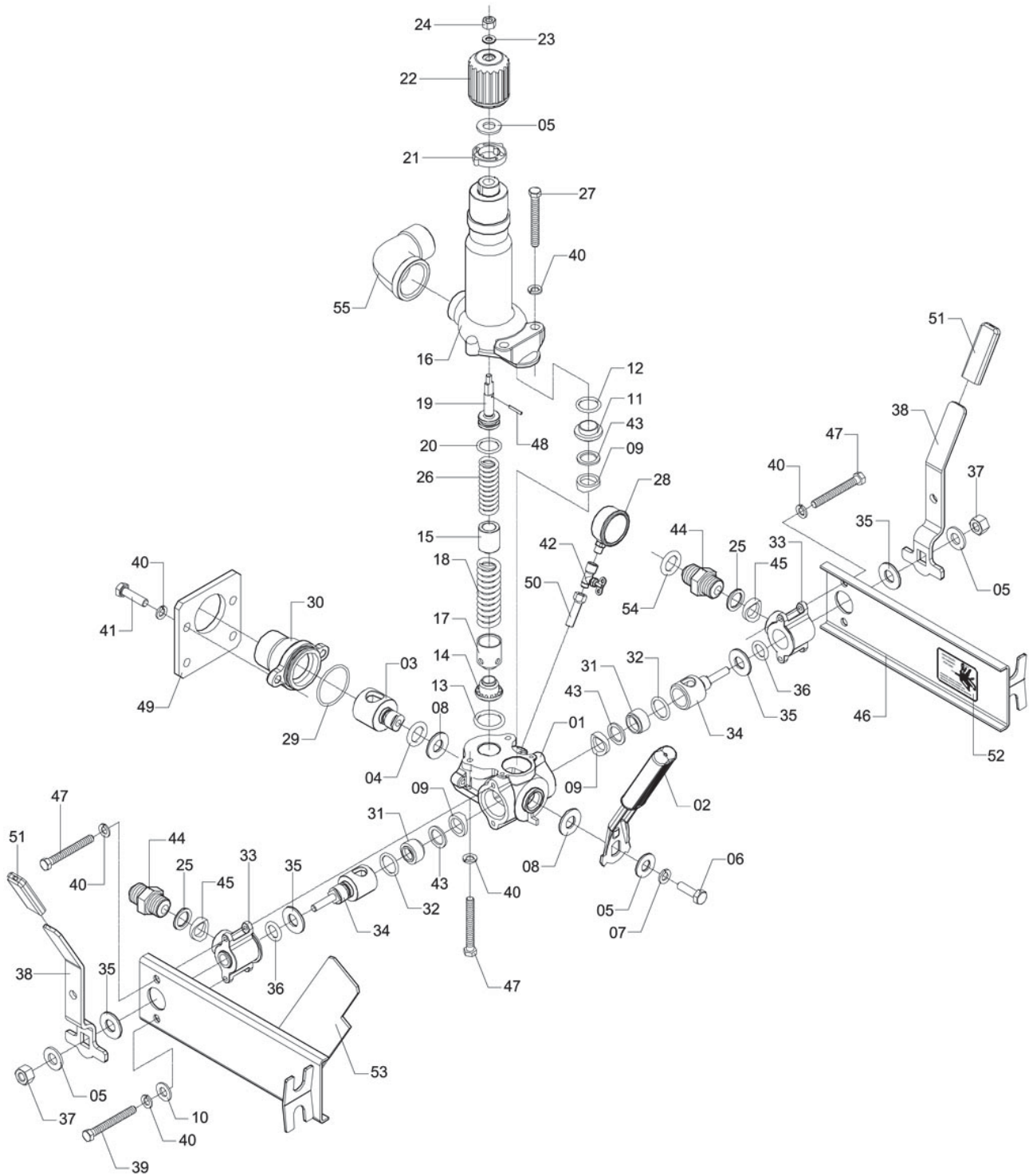
EX-289

ADJUSTABLE AXLE NR. 13

Continuation

Item	CODE	DESCRIPTION	Qty.	Item	CODE	DESCRIPTION	Qty.
00	997551	Adjustable axle nr. 13	1				
01	063586	Wheel hub assembly - 8 holes	2				
02	700377	Lug nut w 5/8" - 18 UNF	16				
03	757559	Hex. bolt M10 x 30 x 1.25	4				
04	764142	Lock washer M16	8				
05	826297	Hex. nut M16 x 2	8				
06	831347	Castle nut M30 x 2"	2				
07	831354	Cotter pin w 6.30 x 50.8	2				
08	881334	Flat washer 330 x 650 x 31	2				
09	176917	Tire assembly 11lb x 15 with 8-hole wheel	2				
10	907030	Hex. nut M10 x 1.25	4				
11	097428	Sticker: (Minimum Track Width Recommended)	1				
12	984963	Hex. bolt M16 x 50 x 1.50	4				
13	997569	Axle fixed body	1				
14	997619	Axle moving end	2				
15	997882	U-clip	4				
16	044107	Parlock hex. nut M16 x 1.50	4				
17	881300	Flat washer 170 x 380 x 3.0	4				

CABLE DIRECTIONAL VALVE (0-40 KGF/CM²)



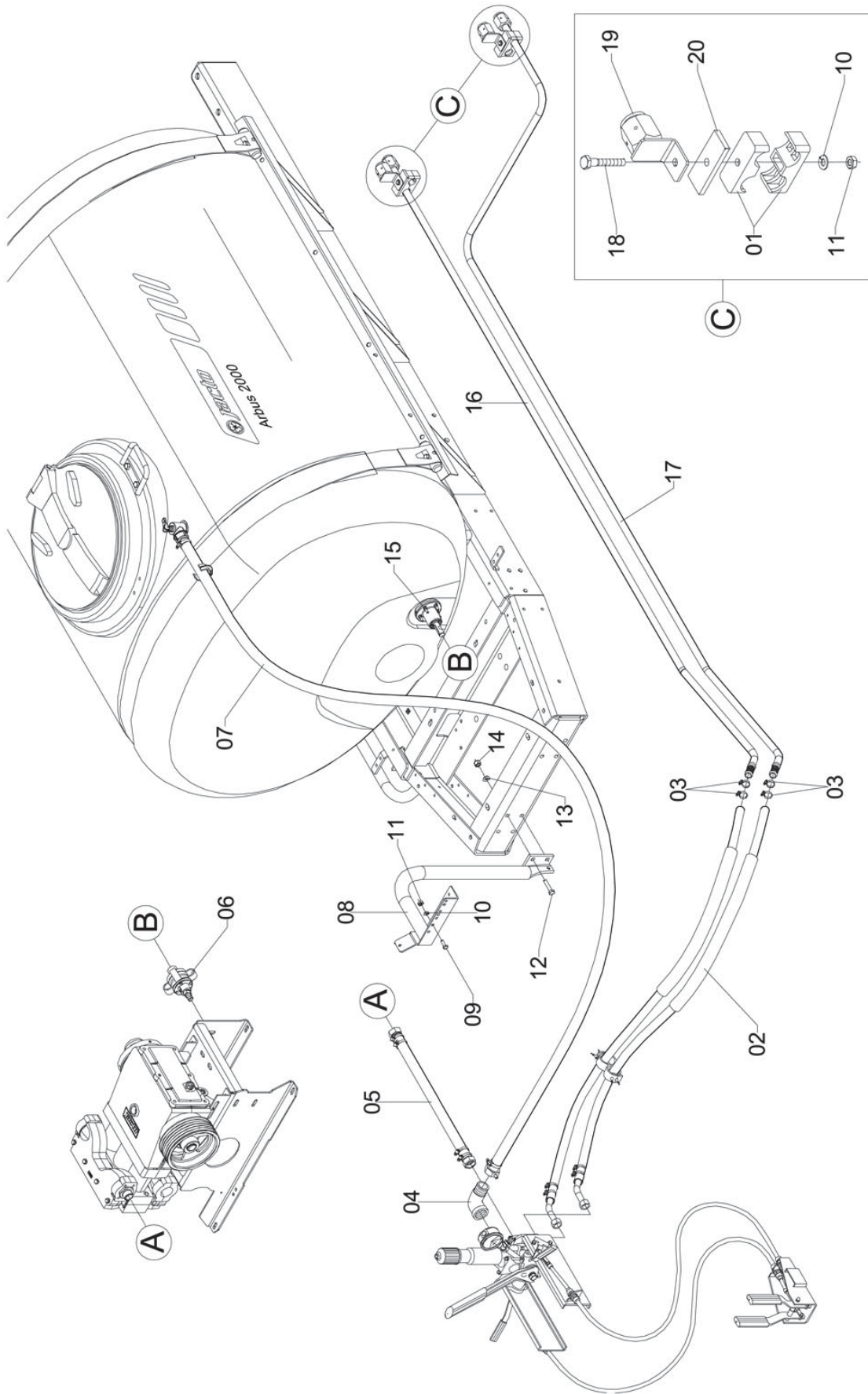
CV-464

CABLE DIRECTIONAL VALVE (0-40 KGF/CMI)

Continuation

Item	CODE	DESCRIPTION	Qty.	Item	CODE	DESCRIPTION	Qty.
00	870485	Cable directional valve (0-40 kgf/cml)	1				
01	935999	Valve body	1				
02	010587	Assembly lever	1				
03	717835	Core	1				
04	706796	O-ring OR1-114	5				
05	623884	Flat washer \varnothing 10.5 x 21 x 2 - stainless steel	4				
06	917682	Bolt 3/8" - 16 UNC x 1/2"	1				
07	908566	Lock washer 3/8"	1				
08	010645	Core seat washer	2				
09	010678	Packing seat 28	3				
10	431486	Spacer	2				
11	010793	Packing seat spacer 29 x 12.5	1				
12	012724	O-ring ORI-119	1				
13	011593	O-ring OR1-219	1				
14	010710	Valve seat	1				
15	616144	Spring spacer	1				
16	616102	Cylinder	1				
17	010728	Valve with insert	1				
18	622712	Compression spring \varnothing 25 x 90	1				
19	117960	Adj. screw 1/2" UNF (w/ spring seat)	1				
20	011601	O-ring ORI-213	1				
21	011031	Lock	1				
22	010629	Knob	1				
23	013433	Flat washer \varnothing 4.8 x 16 x 1.6 inox	1				
24	912758	Hex. nut 5/16" - 18 UNC	1				
25	010991	O-ring \varnothing 24.7	2				
26	616151	Spring \varnothing 18 x 34	1				
27	831503	Hex. bolt 5/16"-18 UNC x 1.3/4"	2				
28	551945	Pressure gauge (0 to 40 kgf/cml) (glycerin-filled)	1				
29	106948	O-ring OR1-130	1				
30	010777	Fitting with flange 1"	1				
31	010801	Spacer \varnothing 29 x 19.4	2				
32	011668	O-ring OR1-122	2				
33	357947	Valve body	2				
34	357954	Core \varnothing 26	2				
35	010769	Core seat washer \varnothing 24	4				
36	011676	O-ring OR1-111	2				
37	810770	Hex. nut M-8 x 1.25	2				
38	357962	Lever	2				
39	729038	Bolt 5/16" x 2.3/4"	2				
40	519736	Lock washer \varnothing	12				
41	836502	Screw 5/16" - 18 UNC x 1"	2				
42	507319	Needle valve for pressure gauge	1				
43	010827	Packing ring \varnothing 29 x 22 x 3	3				
44	823435	Outlet nipple	2				
45	010751	Packing seat 22	2				
46	358127	Support	1				
47	627992	Hex. head bolt 5/16" - 18 UNC x 2.1/2	4				
48	917369	Flexible pin (heavy) 3 x 22	1				
49	107441	Support	1				
50	014423	Pressure gauge extension	1				
51	945964	Lever handgrip	2				
52	979583	Sticker: "Control maintenance..."	1				
53	991752	Support	1				
54	322057	O-ring ORI-114	2				
55	116822	Male/female elbow \varnothing 1.1/4" x 90	1				

CHEMICAL CIRCUIT



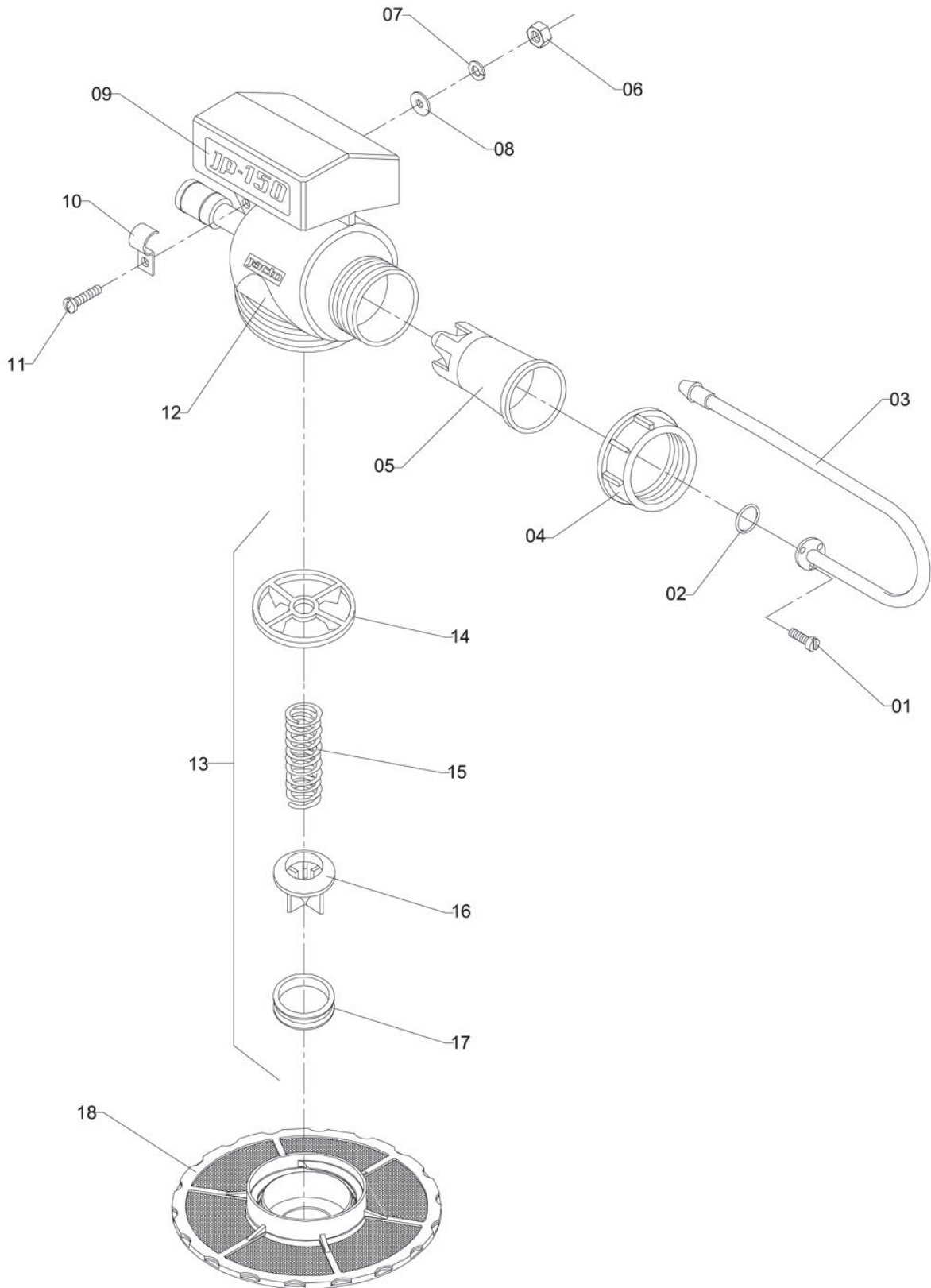
CD-722

CHEMICAL CIRCUIT

Continuation

Item	CODE	DESCRIPTION	Qty.	Item	CODE	DESCRIPTION	Qty.
00	290106	Chemical circuit	1				
01	732040	Semiclump for tube 19"	8				
02	283861	Hose - control / tubing	1				
03	423814	Clamp D22-32 - stainless steel	4				
04	116822	Male/female elbow \varnothing 1.1/4" x 90	1				
05	991059	Pressure hose 1" BSP x 450					
06	727925	Flexible coupling 9	1				
07	283853	Hose \varnothing 1.1/4" x 1600 C	1				
08	556522	Control support	1				
09	829382	Hex head bolt M8 x 25 x 1.25	2				
10	519736	Lock washer \varnothing	6				
11	810770	Hex. nut M8 x 1.25	6				
12	275396	Hex. head bolt M12 x 50 x 1.50 - CL 8.8	2				
13	818112	Flat washer 130 x 240 x 30	2				
14	173245	Hex. nut parlock M12 x 1.25	2				
15	543348	Mechanical agitator 2005 - 02	1				
16	176958	Chemical Tube - Right	1				
17	176966	Chemical Tube - Left	1				
18	520726	Hex head bolt M8 x 60 x 1.25	4				
19	457291	Support	2				
20	618405	Semiclump plate 25 x 57	5				

FILLER UNIT JP-150 WITHOUT HOSE

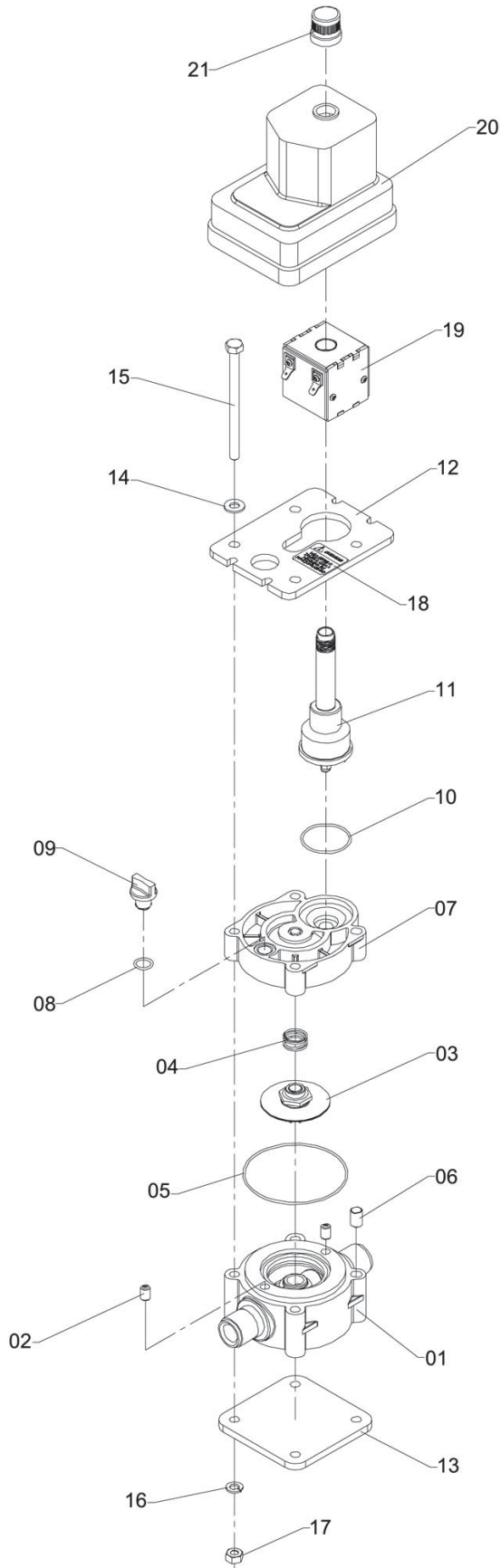


FILLER UNIT JP-150 WITHOUT HOSE

Continuation

Item	CODE	DESCRIPTION	Qty.	Item	CODE	DESCRIPTION	Qty.
00	133462	Filler unit JP-150 without hose	1				
01	913392	Self-tapping screw ω 3,5 x 12	3				
02	417709	O-ring OR1 -012	1				
03	327106	Injection nozzle	1				
04	809848	Fixed nut	1				
05	327148	Injection venturi	1				
06	912741	Nut ω 1/4" - 20 UNC	1				
07	910117	Lock washer 1/4"	1				
08	358267	Flat washer 64 x 125 x 16	1				
09	052019	Sticker: "JP-150"	1				
10	107201	Clamp 13	1				
11	912642	Screw 1/4" UNC x 5/8"	1				
12	327155	Filler body	1				
13	114967	Filler unit repair kit	1				
14	612721	Spring seat	1				
15	612861	Spring	1				
16	612739	Ejector valve	1				
17	612705	Valve packing	1				
18	111542	Filtering element with hub and screw	1				

ELECTRIC VALVE



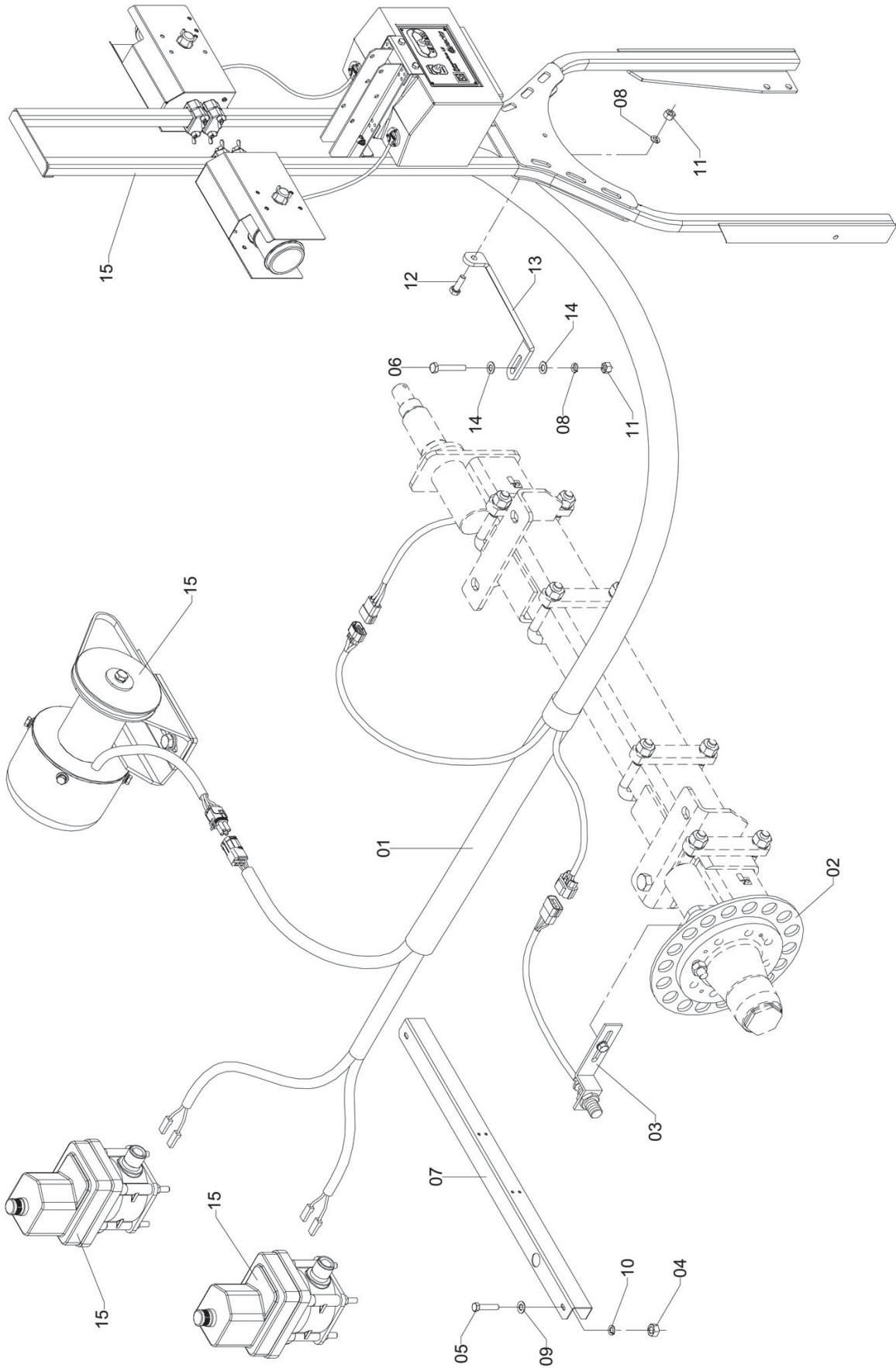
CE-461

ELECTRIC VALVE

Continuation

Item	CODE	DESCRIPTION	Qty.	Item	CODE	DESCRIPTION	Qty.
00	356212	Electric valve	1				
01	438184	Lower body	1				
02	356451	Bushing 8 x 13	2				
03	558817	Diaphragm assembly	1				
04	655365	Compression spring - OE = 19.7 X LO=23	1				
05	971739	O-ring "OR1-042	1				
06	555037	Bushing	1				
07	438176	Upper body	1				
08	901405	Packing ring ORI-014	1				
09	520775	Drain plug - 1/4" BSP	1				
10	971747	O-ring OR1-029	1				
11	558809	Control unit	1				
12	356261	Upper support	1				
13	356329	Lower support	1				
14	013433	Flat washer ш 4.8 x 16 x 1.6 inox	4				
15	082750	Hex. head bolt 5/16" x 4.1/4"	4				
16	519736	Lock washer ш	4				
17	912758	Hex. nut 5/16" - 18 UNC	4				
18	450171	Warning sticker: (Do not remove ...)	1				
19	356253	Coil assembly	1				
20	356279	Protector	1				
21	441527	Round box nut M 16 x 1.5	1				

ELECTRIC CIRCUIT (SE)



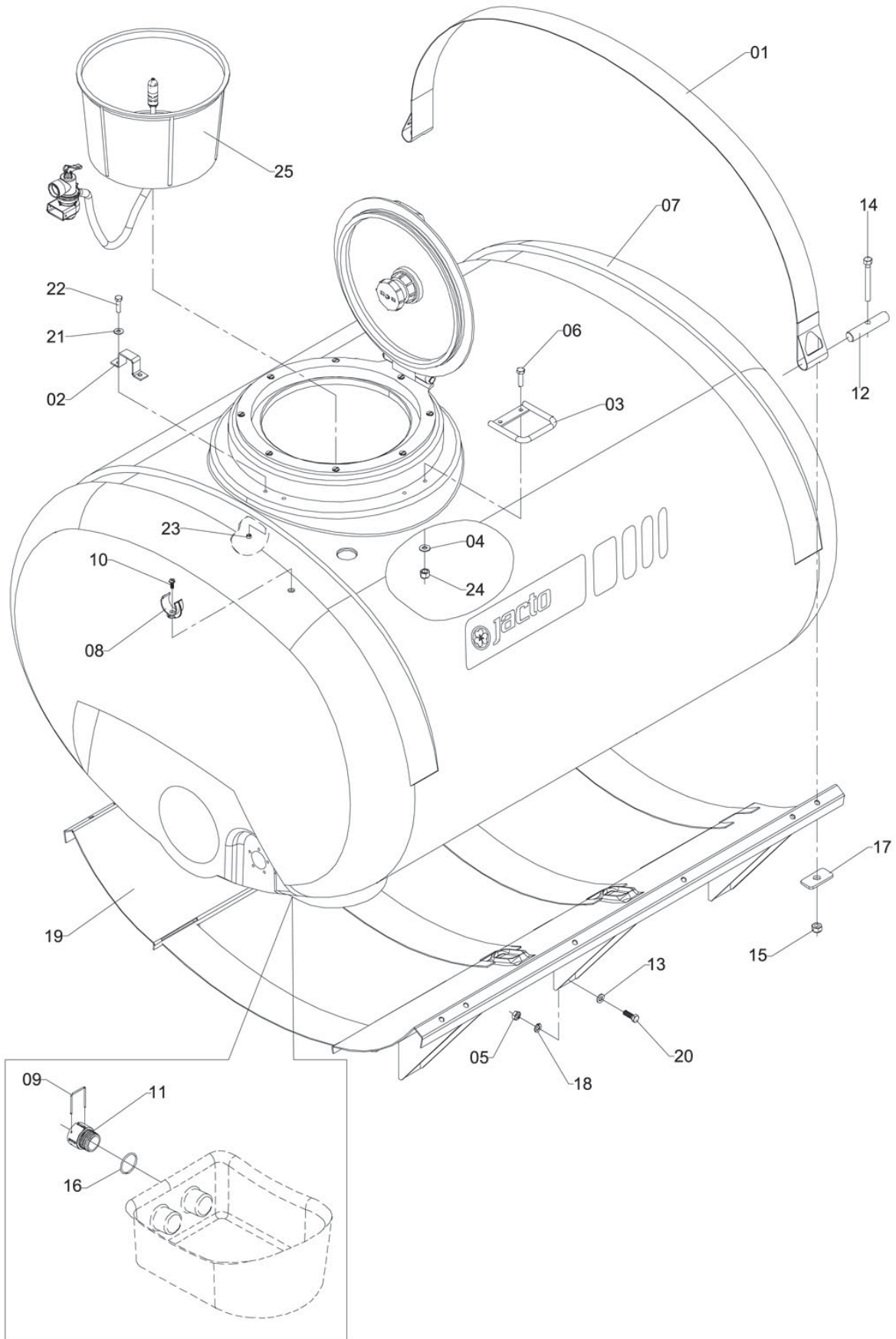
CE-565

ELECTRIC CIRCUIT (SE)

Continuation

Item	CODE	DESCRIPTION	Qty.	Item	CODE	DESCRIPTION	Qty.
00	681981	Electric circuit (SE)	1				
02	058453	Wheel sensor disc	4				
03	781443	Wheel sensor support	2				
04	810689	Hex. nut M6 x 1 CL8	2				
05	810697	Bolt M6 x 1 x 20 CL8.8	2				
06	715490	Hex. bolt M8 x 65	1				
07	997874	Cable protective tube	1				
08	519736	Lock washer ш	8				
09	413468	Flat washer ш 6.8 x 18 x 1.2 - stainless steel	2				
10	521666	Lock washer ш5 - stainless steel	2				
11	810770	Hex. nut M8 x 1.25	2				
12	829382	Hex head bolt M8 x 25 x 1.25	1				
13	252619	Sensor support angle brace for A-40000	1				
14	013433	Flat washer ш 4.8 x 16 x 1.6 inox	2				

2000-LITER TANK AND COMPLEMENTS



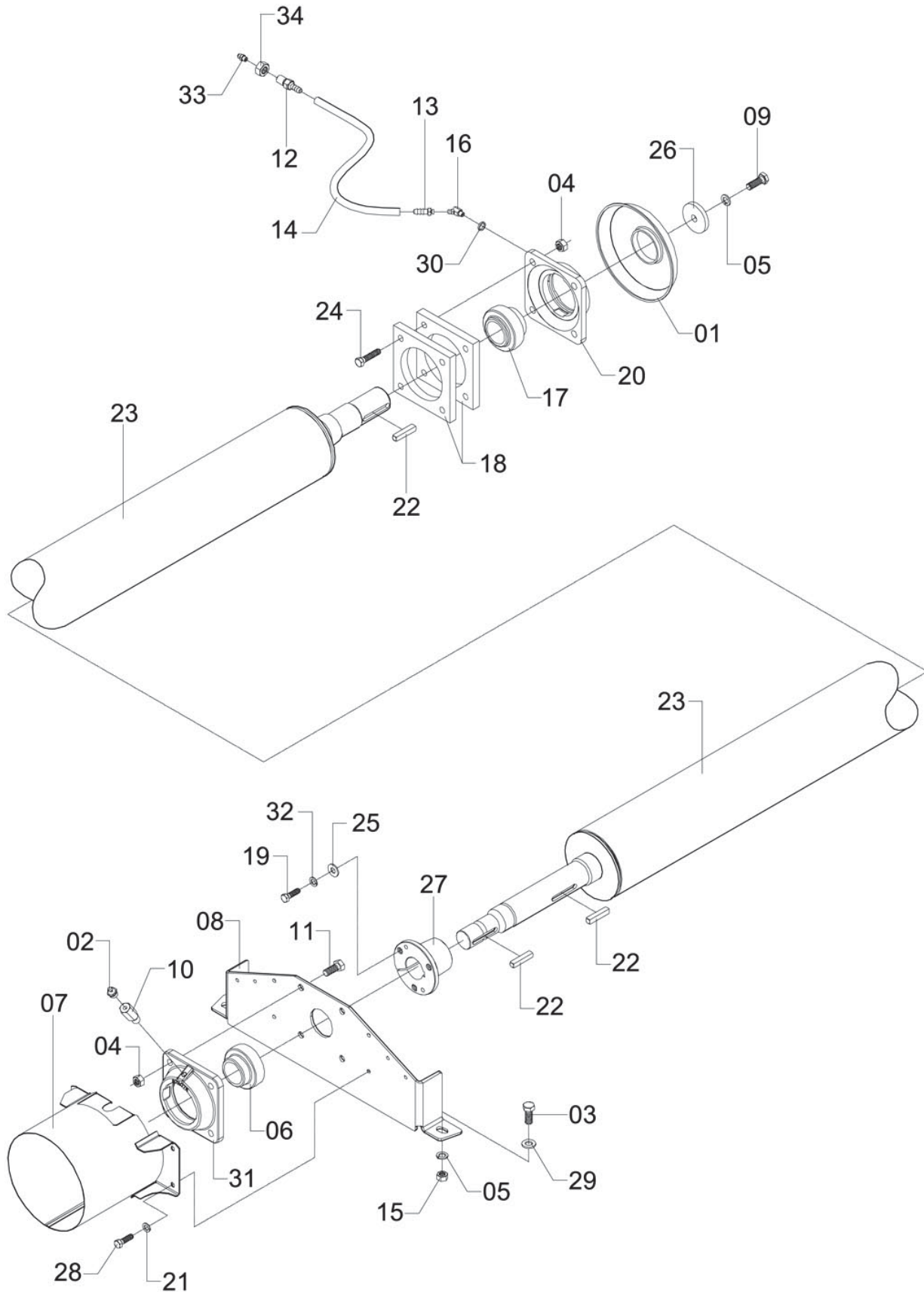
D-206

2000-LITER TANK AND COMPLEMENTS

Continuation

Item	CODE	DESCRIPTION	Qty.	Item	CODE	DESCRIPTION	Qty.
00	288662	2000-liter tank and complements	1				
01	191809	Upper strap	2				
02	342261	Clamp for tube 38 x 38	1				
03	362749	Support Handle	1				
04	377911	Flat washer 84 x 160 x 16	2				
05	427013	Nut ABTN - 1020 thread M12 x 1,5 CL8	12				
06	448233	Bolt M8 x 30 x 1,25	2				
07	1182815	Tank 2000-Liter	1				
08	958587	Hose support	1				
09	970103	Lock 56	1				
10	811042	Screw M-5 x 12 x 0.8	1				
11	991703	Tank sump fitting	1				
12	710772	Tightening strap shaft	4				
13	818112	Flat washer 130 x 240 x 30	12				
14	935635	Tightening screw 1/2" - 13 UNC	4				
15	202663	Hex. nut 1/2" - 13 UNC	4				
16	417717	O-ring OR1-227	1				
17	997809	Reinforcement 31.8 x 70	4				
18	209163	Lock washer M12	12				
19	247973	Tank mounting base	1				
20	280925	Hex. head bolt M12 x 35 x 1,50	12				
21	712554	Flat washer 70 x 180 x 12,4	2				
22	295311	Screw M6 x 25 x 1,00 (stainless)	2				
23	730309	Hex. nut M6 x 1.00 - Steel	2				
24	221648	Nut M8 x 1.25 - stainless steel	2				
25	134239	Chemical container rinse nozzle kit	1				

DRIVE TRANSMISSION AND COMPLEMENTS



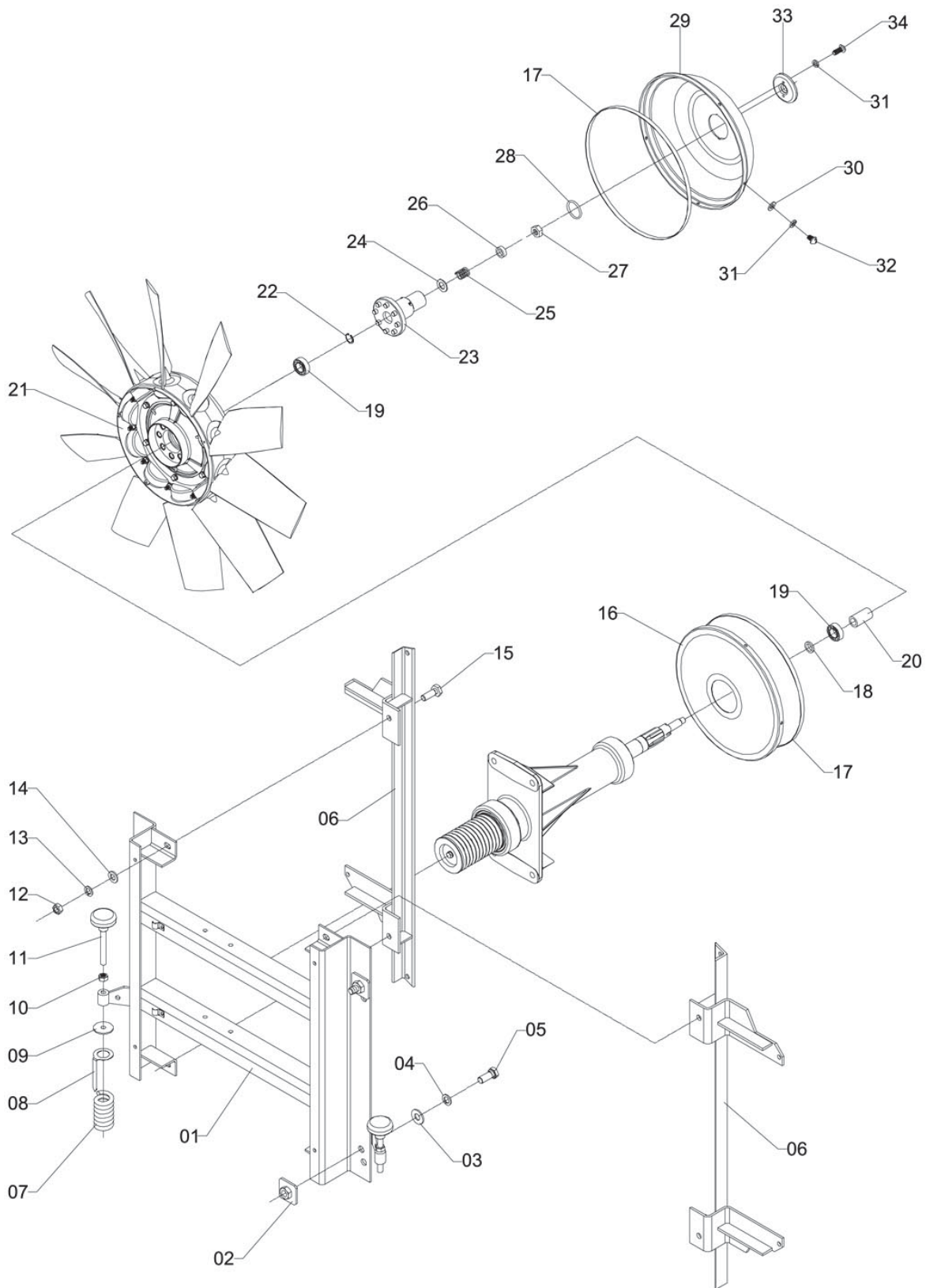
TMT-209

DRIVE TRANSMISSION AND COMPLEMENTS

Continuation

Item	CODE	DESCRIPTION	Qty.	Item	CODE	DESCRIPTION	Qty.
00	574368	Drive transmission and complements	1				
01	037606	Protector	1				
02	127142	Grease nipple ω 1/8"	1				
03	275396	Hex. head bolt M12 x 50 x 1.50 - CL 8.8	2				
04	173245	Hex. nut parlock M12 x 1.25	8				
05	209163	Lock washer M12	3				
06	220194	Self-aligning bearing	1				
07	240036	PTO shaft guard tube	1				
08	252874	Bearing support (front)	1				
09	280925	Hex. head bolt M12 x 35 x 1,50	1				
10	1165597	Grease nipple extension	1				
11	383802	Hex. bolt M12 x 40 x 1,50	4				
12	426189	Fitting	1				
13	426205	Male fitting for hose ω 1/4"	1				
14	426213	Hose 1/4" x 400	1				
15	427013	Nut ABTN - 1020 thread M12 x 1,5 CL8	2				
16	429555	Grease nipple 1/8" BSP 45	1				
17	970798	Self-compensating bearing	1				
18	499145	Bearing spacing flange	2				
19	518753	Bolt 3/8" - 16 UNC x 1.1/4"	3				
20	969436	Flange-type bearing II	1				
21	521666	Lock washer ω 5 - stainless steel	4				
22	521765	Square key 9,53 (3/8") x 50	3				
23	574335	Shaft 2721	1				
24	576371	Screw M12 x 70 x 1,50	4				
25	624130	Flat washer ω 10,5 x ω 18,0 x 1,6 a30	3				
26	703595	Flat washer 133 x 580 x 80	1				
27	725333	Pulley lock	1				
28	829507	Hex. head bolt M6 x 1 x 16 CL8.8	4				
29	818112	Flat washer 130 x 240 x 30	2				
30	822650	Ring ω 9.8 x ω 12.7 x 2.0	1				
31	825075	Flange-type bearing	1				
32	908566	Lock washer 3/8"	3				
33	366542	Grease nipple M6 x 1.0	1				
34	907030	Hex. nut M10 x 1.25	1				

DRIVEN TRANSMISSION AND COMPLEMENTS



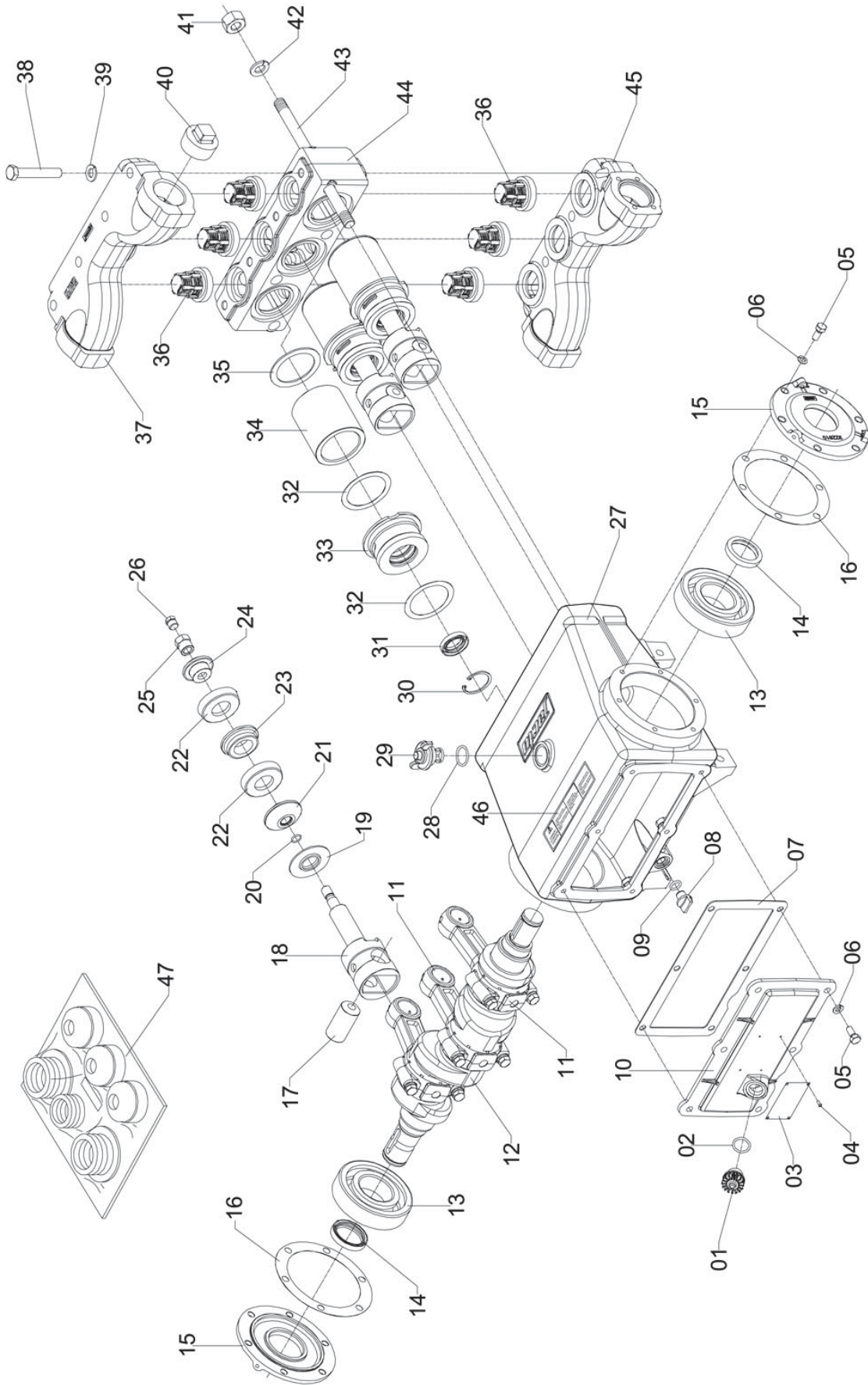
TMV-51

DRIVEN TRANSMISSION AND COMPLEMENTS

Continuation

Item	CODE	DESCRIPTION	Qty.	Item	CODE	DESCRIPTION	Qty.
00	288639	Driven transmission and complements	1				
01	444034	Adjustable frame	1				
02	202499	Plate with nut w 5/8" - 11 UNC	4				
04	764142	Lock washer M16	4				
05	764209	Hex head bolt M 16 x 40 x 2.00 - CL 8.8	4				
06	238048	Deflector support	2				
07	439265	Compression spring - OE=47,5 x LO+ 115	2				
08	499061	Spring stop	2				
09	499079	Spring seat	2				
10	326280	Nut w 1/2" UNC	2				
11	941948	Tightening screw w 1/2" - 13 UNC	2				
12	427013	Nut ABTN - 1020 thread M12 x 1,5 CL8	4				
13	209163	Lock washer M12	4				
14	818112	Flat washer 130 x 240 x 30	4				
15	280925	Hex. head bolt M12 x 35 x 1,50	4				
16	848911	Fan guard cap	1				
17	018655	Packing 1015	2				
18	518118	Spacer ring	1				
19	202549	Fixed bearing	2				
20	232686	Spacer 51.4	1				
21	348995	Fan with plastic blades	1				
22	203067	Snap ring for shaft w 35	1				
23	177055	Grooved hub with hitch	1				
24	881243	Flat washer w 17 x 30 x 1,9 - stainless steel	1				
25	204537	Compression spring	1				
26	425892	Spring seat ring	1				
27	108787	Nut DODI-LOC w 1/2" - 13 UNC	1				
28	939223	Packing ring	1				
29	935379	Hub cap	1				
30	979237	Flat washer 5,30 x 10,0 x 1,0	10				
31	520676	Lock washer w5	12				
32	907584	Screw 3/16" UNC x 5/16"	10				
33	201087	Disc w 70	1				
34	007179	Screw 3/16" UNC x 5/8"	2				

PUMP JP-190 ASSEMBLY



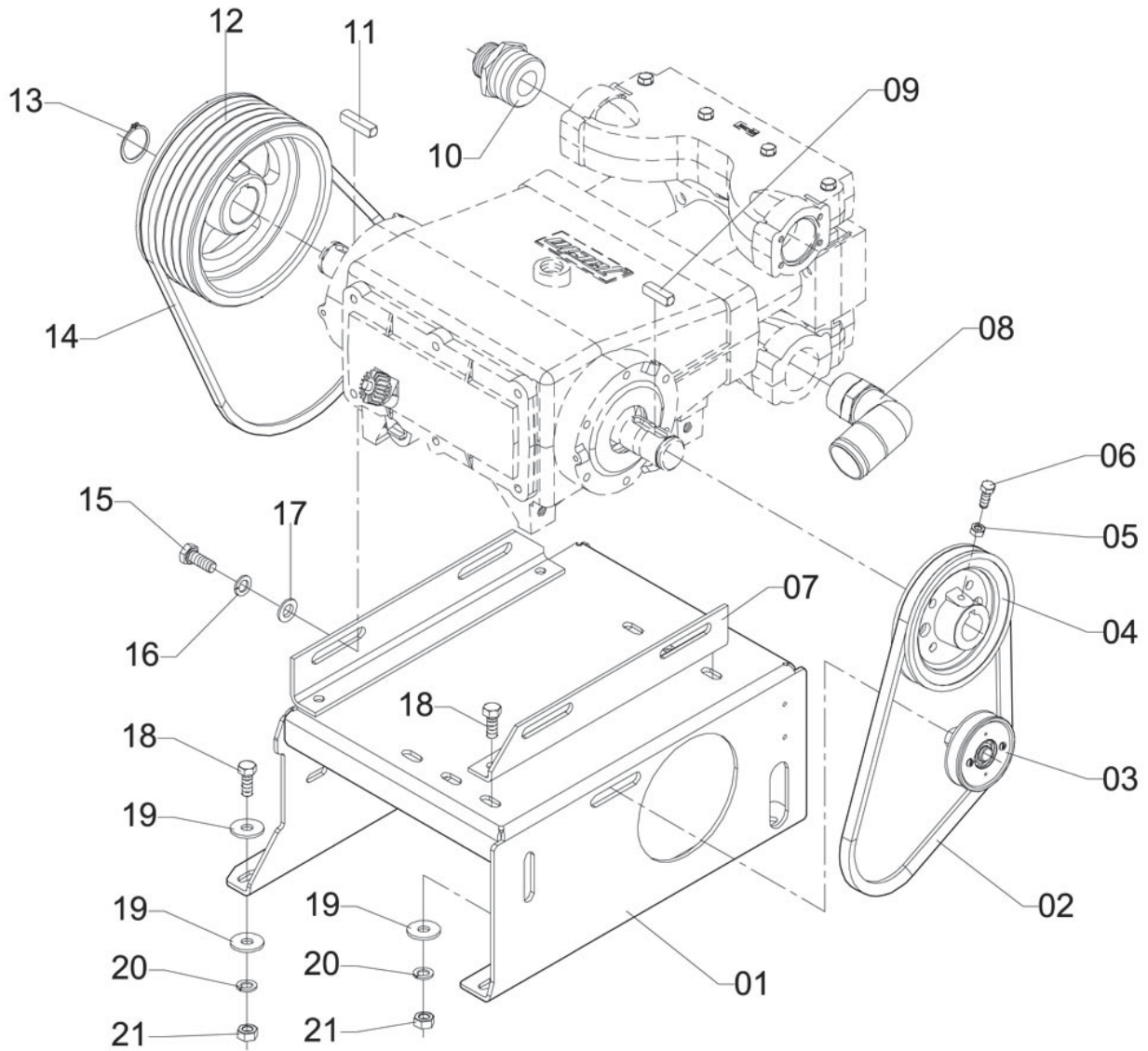
B-117

PUMP JP-190 ASSEMBLY

Continuation

Item	CODE	DESCRIPTION	Qty.	Item	CODE	DESCRIPTION	Qty.
00	694315	Pump JP-190 assembly	1				
01	213736	Plug 1/2" BSP	1				
02	210146	O-ring OR1-117	1				
03	1159487	Identification plate "Engraved"	1				
04	109587	Round head rivet	4				
05	663153	Hex. bolt 5/16" - 18 UNC x 3/4"	18				
06	519736	Lock washer w	18				
07	322834	Packing 132 x 262 x 1.59	1				
08	520775	Drain plug 1/4" BSP	1				
09	325290	O-ring OR1-112	1				
10	322776	Pump cover	1				
11	038778	Connecting rod assembly	3				
12	240838	Crankshaft	1				
13	325506	Bearing 6310	2				
14	323170	Retainer 01920	2				
15	322610	Bearing flange	2				
16	322883	Packing 110 x 145 x 0.4	2				
17	322909	Connecting rod shaft	3				
18	322933	Guide with rode	3				
19	322842	Scraper ring	3				
20	120071	O-ring ORI - 015	3				
21	585604	Piston cup base	3				
22	581363	Piston cup	6				
23	585588	Piston cup spacer	3				
24	585596	Piston cup fastener	3				
25	585612	Hex. nut 1/2" UNF (stainless)	3				
26	585638	Locking screw 1/2" UNF x 15 (stainless)	3				
27	322669	Pump body	1				
28	012724	O-ring ORI-119	1				
29	328542	Plug w 3/4" BSP	1				
30	916775	Snap ring for hole w 40	3				
31	323188	Retainer 72	3				
32	322867	Packing	6				
33	322826	Sleeve guide	3				
34	322925	Sleeve (alumina)	3				
35	322875	Seal washer	3				
36	587378	Valve for pump w 24 - model "D"	6				
37	044487	Valves cover	1				
38	429258	Screw 1/2" - 13 UNC x 3" - stainless steel	8				
39	908582	Lock washer 1/2"	8				
40	427948	Plug w 1.1/2" BSP	2				
41	916734	Hex. nut 5/8" - 11 UNC	4				
42	764142	Lock washer M16	4				
43	322891	Stud bolt 5/8" - 11 UNC x 240 - stainless steel	4				
44	322735	Pump head	1				
45	328799	Valves cover (suction)	1				
46	959957	Sticker: "Keep oil on level"	1				
47	692491	Repair kit VIII	1				
	824201	Lubricating oil - Texaco	1				

SPRAY PUMP JP-150 AND COMPLEMENTS



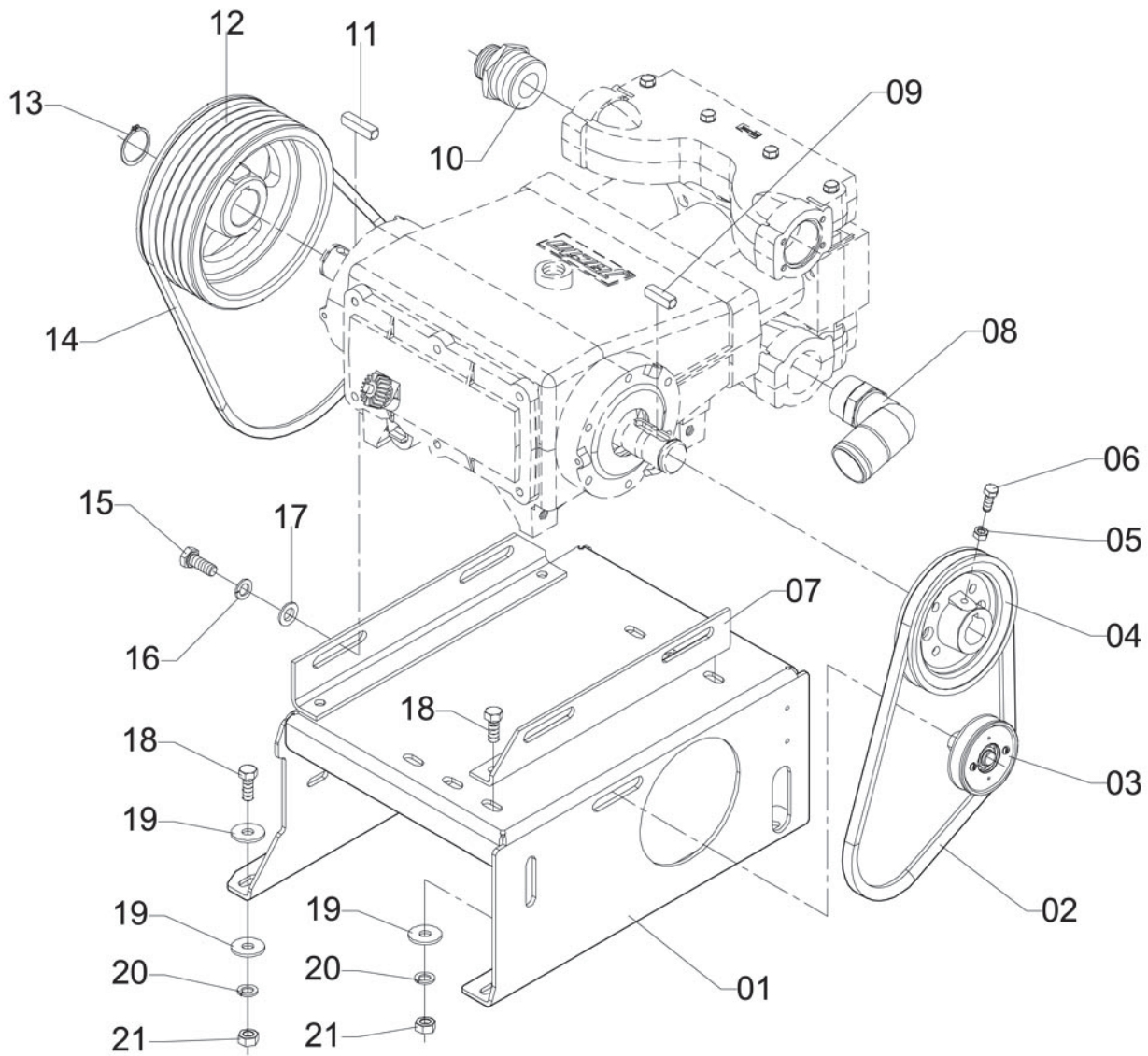
TMT-208

SPRAY PUMP JP-150 AND COMPLEMENTS

Continuation

Item	CODE	DESCRIPTION	Qty.	Item	CODE	DESCRIPTION	Qty.
00	288753	Spray pump JP-150 and complements	1				
01	172361	Pump base	1				
02	916106	Belt A-35	1				
03	645416	Tightening pulley assembly 78-1A (Shaft \varnothing 15 x 50,5)	1				
04	425470	Pulley \varnothing 146 x 1A	1				
05	810770	Hex. nut M8 x 1.25	1				
06	829374	Hex. head bolt M8 x 20 x 1.25 -cl 8.8	1				
07	724161	Pump support (rear)	1				
08	613679	Hose fitting 2" x 1.1/2" BSP	1				
09	015305	Square key 5/16" x 30	1				
10	324848	Nipple 1.1/2" x 1"	1				
11	108936	Square key 9,53 (3/8") x 35	1				
12	639120	Pulley \varnothing 200-6-3V	1				
13	203067	Snap ring for shaft \varnothing 35	1				
14	768713	Trapeze belt	6				
15	520205	Bolt 1/2" - 13 UNC x 1.1/4"	4				
16	908582	Lock washer 1/2"	4				
17	818112	Flat washer 130 x 240 x 30	4				
18	757559	Hex. bolt M10 x 30 x 1.25	6				
19	623884	Flat washer \varnothing 10.5 x 21 x 2 - stainless steel	10				
20	209395	Lock washer M10	6				
21	907030	Hex. nut M10 x 1.25	6				

SPRAY PUMP JP-190 AND COMPLEMENTS



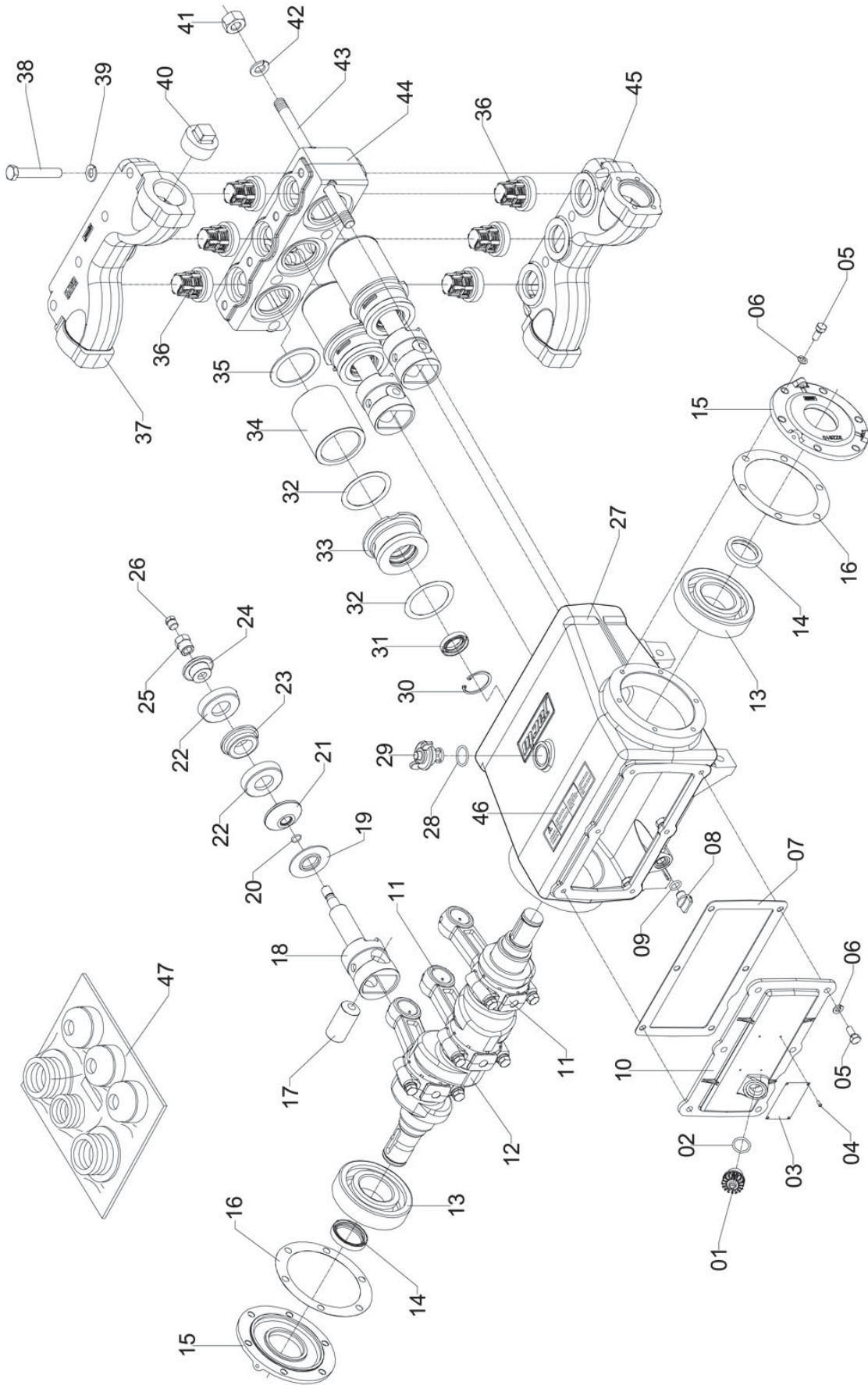
TMT-208

SPRAY PUMP JP-190 AND COMPLEMENTS

Continuation

Item	CODE	DESCRIPTION	Qty.	Item	CODE	DESCRIPTION	Qty.
00	288761	Spray pump JP-190 and complements	1				
01	172361	Pump base	1				
02	916106	Belt A-35	1				
03	645416	Tightening pulley assembly 78-1A (Shaft \varnothing 15 x 50,5)	1				
04	425470	Pulley \varnothing 146 x 1A	1				
05	810770	Hex. nut M8 x 1.25	1				
06	829374	Hex. head bolt M8 x 20 x 1.25 -cl 8.8	1				
07	724161	Pump support (rear)	1				
08	613679	Hose fitting 2" x 1.1/2" BSP	1				
09	015305	Square key 5/16" x 30	1				
10	324848	Nipple 1.1/2" x 1"	1				
11	108936	Square key 9,53 (3/8") x 35	1				
12	375519	Pulley 180-6-3V	1				
13	203067	Snap ring for shaft \varnothing 35	1				
14	768713	Trapeze belt	6				
15	520205	Bolt 1/2" - 13 UNC x 1.1/4"	4				
16	908582	Lock washer 1/2"	4				
17	818112	Flat washer 130 x 240 x 30	4				
18	757559	Hex. bolt M10 x 30 x 1.25	6				
19	623884	Flat washer \varnothing 10.5 x 21 x 2 - stainless steel	10				
20	209395	Lock washer M10	6				
21	907030	Hex. nut M10 x 1.25	6				

PUMP JP-150 ASSEMBLY



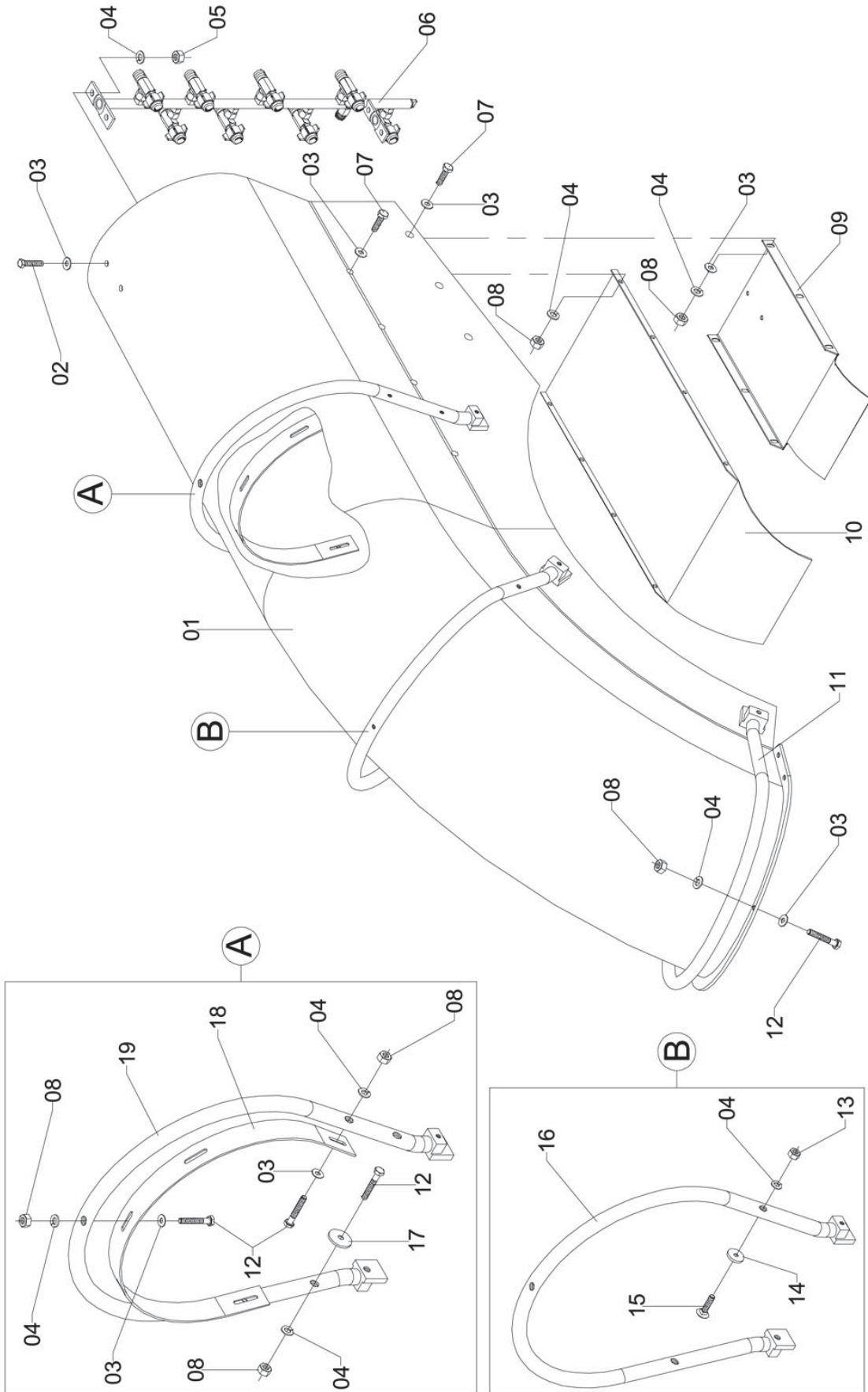
B-117

PUMP JP-150 ASSEMBLY

Continuation

Item	CODE	DESCRIPTION	Qty.	Item	CODE	DESCRIPTION	Qty.
00	694307	Pump JP-150 assembly	1				
01	213736	Plug 1/2" BSP	1				
02	210146	O-ring OR1-117	1				
03	1159487	Identification plate "Engraved"	1				
04	109587	Round head rivet	4				
05	663153	Hex. bolt 5/16" - 18 UNC x 3/4"	18				
06	519736	Lock washer w	18				
07	322834	Packing 132 x 262 x 1.59	1				
08	520775	Drain plug 1/4" BSP	1				
09	325290	O-ring OR1-112	1				
10	322776	Pump cover	1				
11	038778	Connecting rod assembly	3				
12	240838	Crankshaft	1				
13	325506	Bearing 6310	2				
14	323170	Retainer 01920	2				
15	322610	Bearing flange	2				
16	322883	Packing 110 x 145 x 0.4	2				
17	322909	Connecting rod shaft	3				
18	322933	Guide with rode	3				
19	322842	Scraper ring	3				
20	120071	O-ring ORI - 015	3				
21	585604	Piston cup base	3				
22	581363	Piston cup	6				
23	585588	Piston cup spacer	3				
24	585596	Piston cup fastener	3				
25	585612	Hex. nut 1/2" UNF (stainless)	3				
26	585638	Locking screw 1/2" UNF x 15 (stainless)	3				
27	322669	Pump body	1				
28	012724	O-ring ORI-119	1				
29	328542	Plug w 3/4" BSP	1				
30	916775	Snap ring for hole w 40	3				
31	323188	Retainer 72	3				
32	322867	Packing	6				
33	322826	Sleeve guide	3				
34	322925	Sleeve (alumina)	3				
35	322875	Seal washer	3				
36	587378	Valve for pump w 24 - model "D"	6				
37	044487	Valves cover	1				
38	429258	Screw 1/2" - 13 UNC x 3" - stainless steel	8				
39	908582	Lock washer 1/2"	8				
40	427948	Plug w 1.1/2" BSP	2				
41	916734	Hex. nut 5/8" - 11 UNC	4				
42	764142	Lock washer M16	4				
43	322891	Stud bolt 5/8" - 11 UNC x 240 - stainless steel	4				
44	322735	Pump head	1				
45	328799	Valves cover (suction)	1				
46	959957	Sticker: "Keep oil on level"	1				
47	692491	Repair kit VIII	1				
	824201	Lubricating oil - Texaco	1				

UPPER SWIRL CORE ASSEMBLY



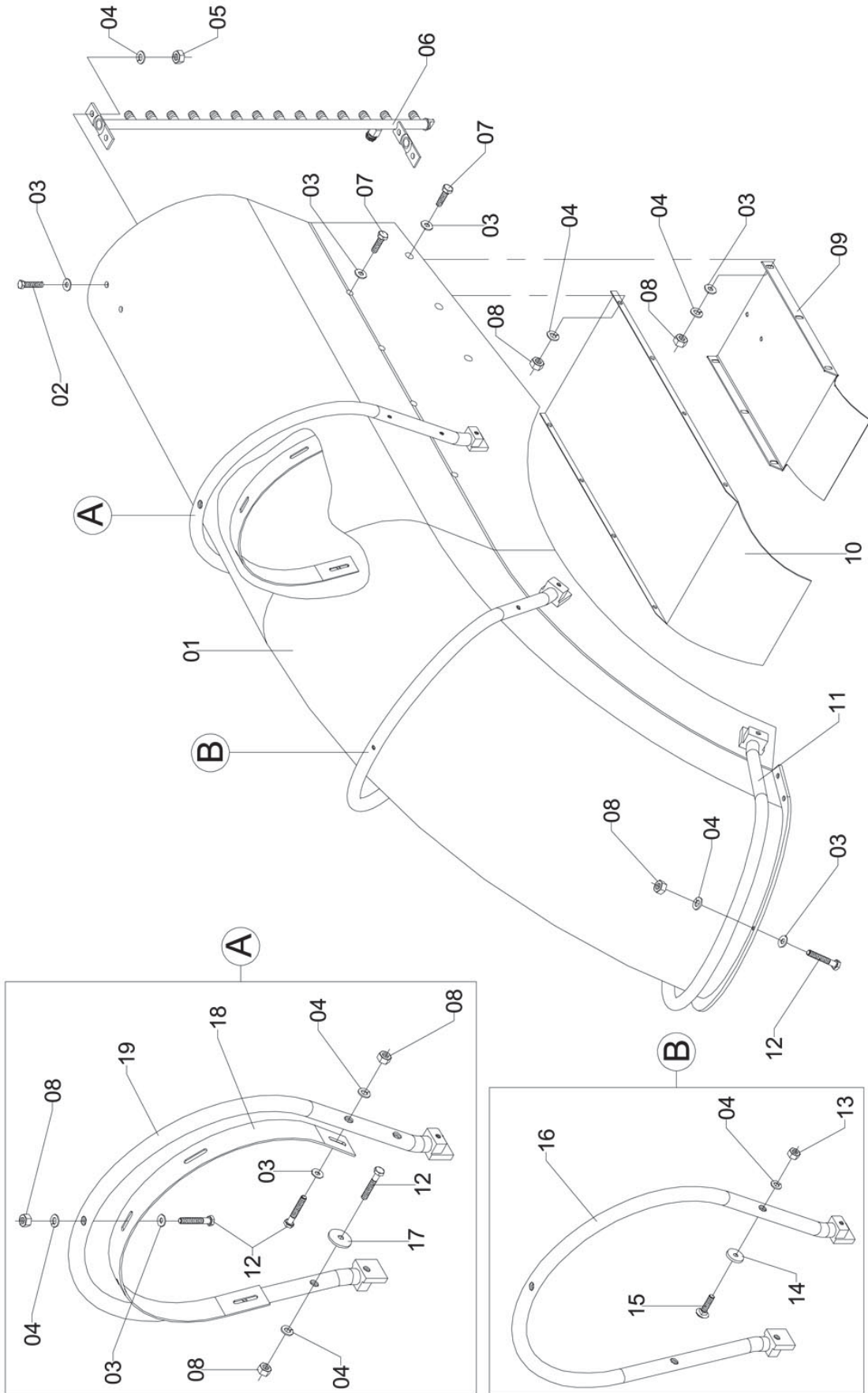
DF-59

UPPER SWIRL CORE ASSEMBLY

Continuation

Item	CODE	DESCRIPTION	Qty.	Item	CODE	DESCRIPTION	Qty.
00	293001	Upper Swirl Core Assembly	1				
01	654004	Top volute 60e	1				
02	295311	Screw M6 x 25 x 1,00 (stainless)	4				
03	413468	Flat washer ω 6.8 x 18 x 1.2 - stainless steel	30				
04	521666	Lock washer ω 5 - stainless steel	31				
05	730309	Hex. nut M6 x 1.00 - Steel	4				
06	388769	Upper volute branch for 8 nozzles	1				
07	810697	Bolt M6 x 1 x 20 CL8.8	14				
08	810689	Hex. nut M6 x 1 CL8	24				
09	572446	Lower vane body	1				
10	238360	Upper vane	1				
11	238329	Lower arch clamp	1				
12	443713	Screw M6 x 40 x 1.00	10				
13	912741	Nut ω 1/4" - 20 UNC	3				
14	416735	Flat washer 100 x 260 x 30	3				
15	208397	Screw 1/4" x 20 UNC x1.1/2"	3				
16	654087	Intermediate arch	1				
17	316471	Flat washer 68 x 376 x 19	2				
18	878637	Locking arch	1				
19	238337	Upper arch clamp	1				

UPPER SWIRL CORE WITH 14-NOZZLE BRANCH



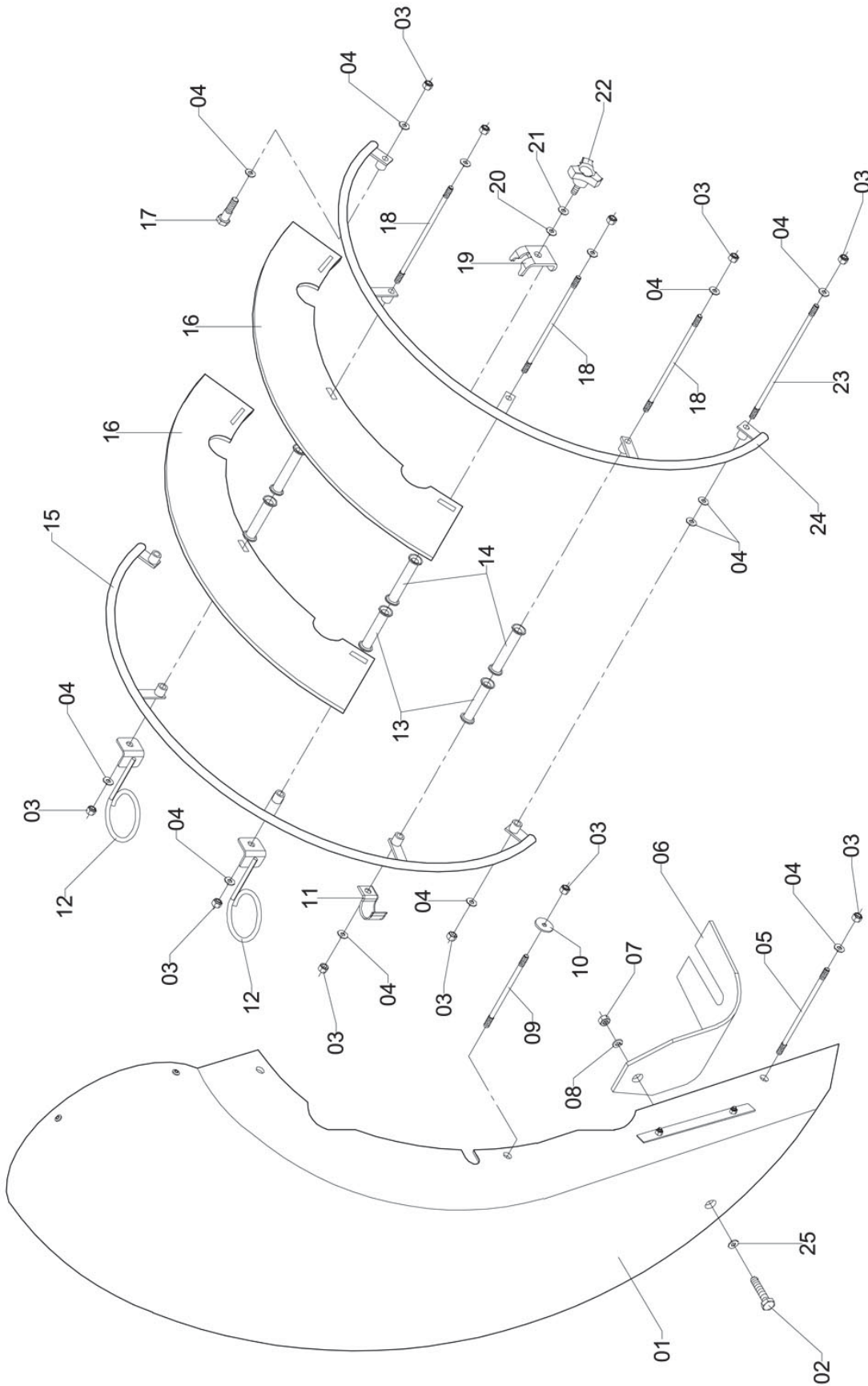
DF-63

UPPER SWIRL CORE WITH 14-NOZZLE BRANCH

Continuation

Item	CODE	DESCRIPTION	Qty.	Item	CODE	DESCRIPTION	Qty.
00	610328	Upper swirl core with 14-nozzle branch	1				
01	654004	Top volute 60e	1				
02	295311	Screw M6 x 25 x 1,00 (stainless)	4				
03	413468	Flat washer ω 6.8 x 18 x 1.2 - stainless steel	30				
04	521666	Lock washer ω 5 - stainless steel	31				
05	730309	Hex. nut M6 x 1.00 - Steel	4				
06	389148	Deflector branch for 14 nozzles (Volute)	1				
07	810697	Bolt M6 x 1 x 20 CL8.8	14				
08	810689	Hex. nut M6 x 1 CL8	24				
09	572446	Lower vane body	1				
10	238360	Upper vane	1				
11	238329	Lower arch clamp	1				
12	443713	Screw M6 x 40 x 1.00	10				
13	912741	Nut ω 1/4" - 20 UNC	3				
14	416735	Flat washer 100 x 260 x 30	3				
15	208397	Screw 1/4" x 20 UNC x1.1/2"	3				
16	654087	Intermediate arch	1				
17	316471	Flat washer 68 x 376 x 19	2				
18	878637	Locking arch	1				
19	238337	Upper arch clamp	1				

HIGH 3P DEFLECTOR (VOLUTE)



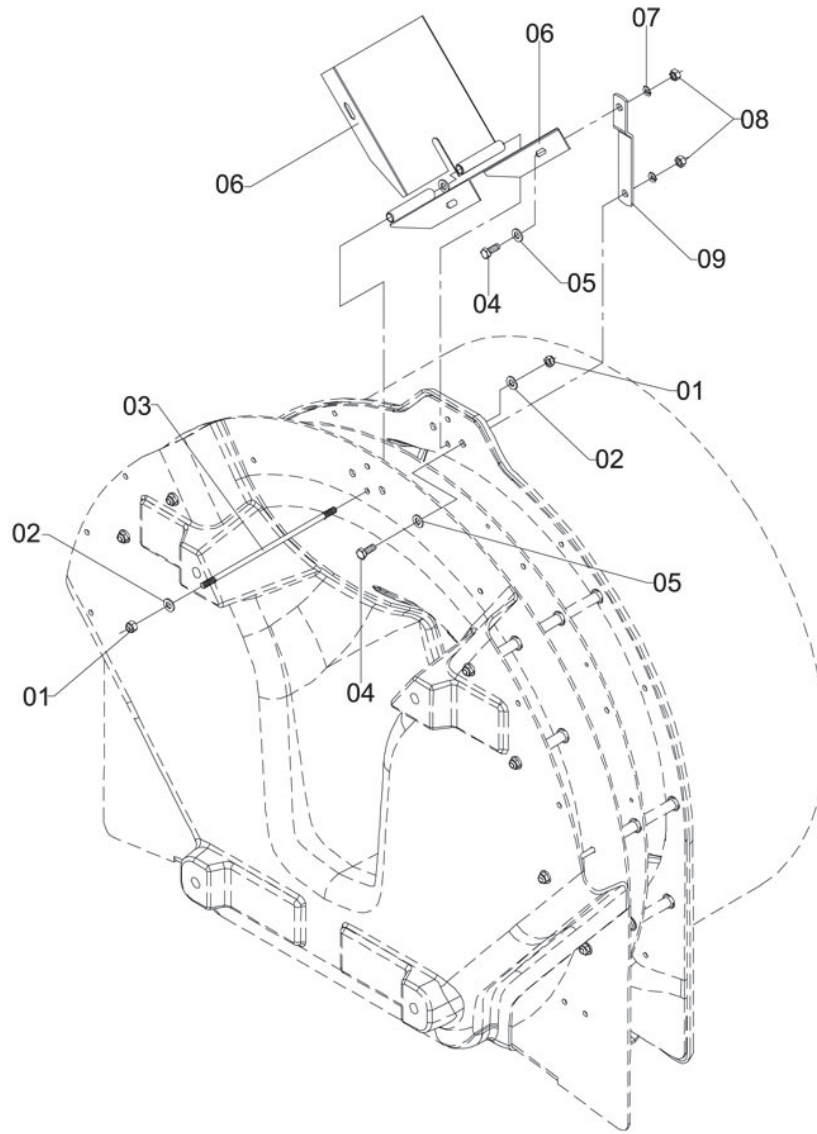
DF-64

HIGH 3P DEFLECTOR (VOLUTE)

Continuation

Item	CODE	DESCRIPTION	Qty.	Item	CODE	DESCRIPTION	Qty.
00	569806	High 3P deflector (Volute)	1				
01	293019	Lower Swirl Core	1				
02	829382	Hex head bolt M8 x 25 x 1.25	1				
03	354464	Nut parlock 3/8" - 16 UNC	14				
04	623884	Flat washer w 10.5 x 21 x 2 - stainless steel	16				
05	204750	Stud bolt 3/8" x 245	1				
06	238386	Plate 190 x 430	1				
07	810770	Hex. nut M8 x 1.25	1				
08	519736	Lock washer w	1				
09	728436	Stud bolt - 3/8" x 266mm	1				
10	507855	Flat washer 103 x 375 x 30	2				
11	566810	Semiclamp for tube W 29	1				
12	821629	Hose support	2				
13	019414	Spacer bushing 91mm	4				
14	325050	Spacer bushing 95	4				
15	653949	Moving volute support II	1				
16	983569	Back plate	1				
17	908517	Bolt 3/8" - 16 UNC x 2.1/2"	2				
18	984195	Stud bolt 3/8" x 16 UNC x 300	3				
19	238261	Deflector lock	6				
20	416735	Flat washer 10 x 26 x 3 - steel	8				
21	109678	Flat washer 105 x 254 x 12.4	6				
22	243576	Locking Screw UNC 3/8x1"	6				
23	238220	Stud bolt 3/8"- 16 UNC x 320	1				
24	653931	Moving volute support I	1				
25	881276	Flat washer w 8.7 x 20 x 1.2 - stainless steel	1				

UPPER VANE - ASSEMBLY



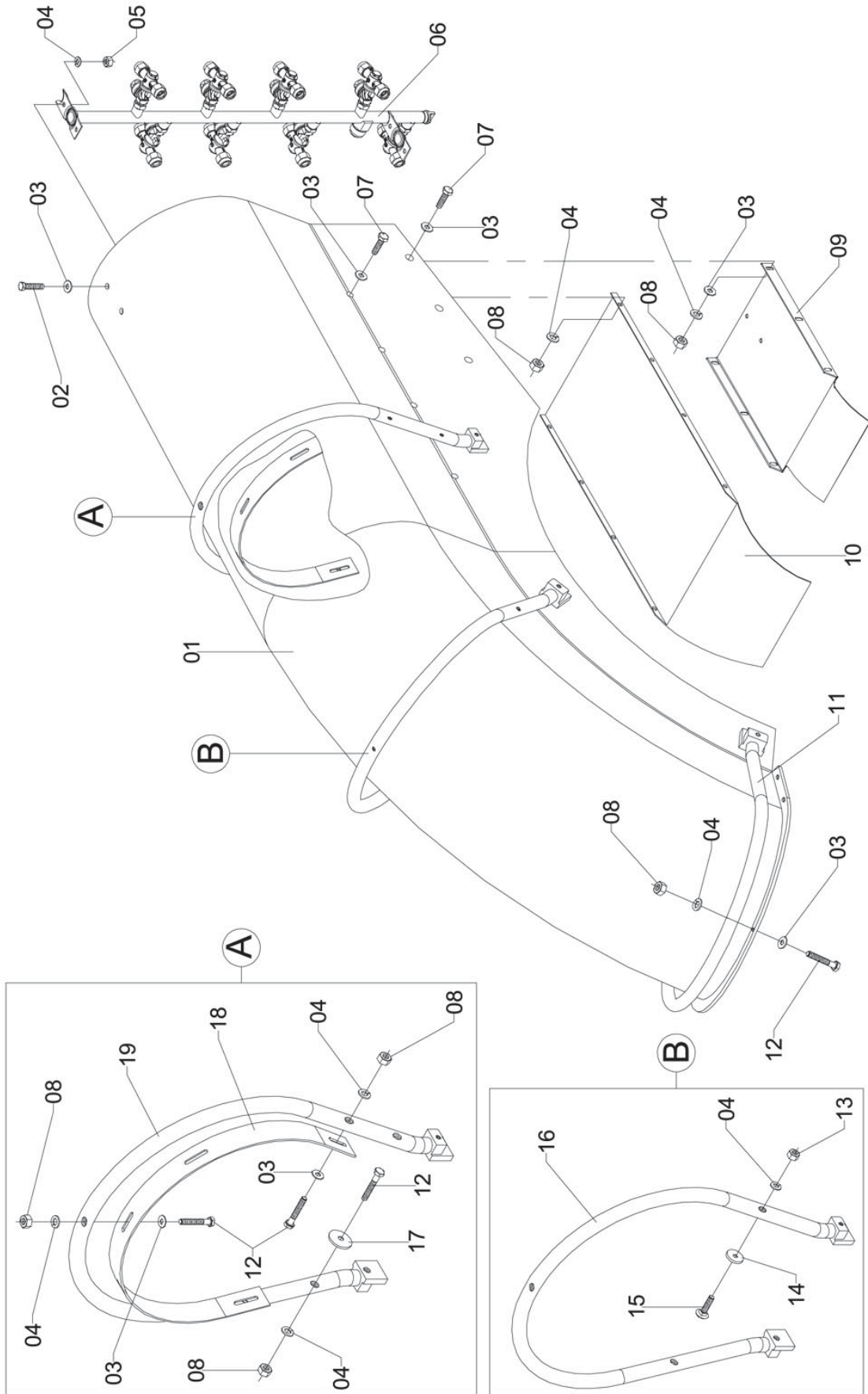
DF-73

UPPER VANE - ASSEMBLY

Continuation

Item	CODE	DESCRIPTION	Qty.	Item	CODE	DESCRIPTION	Qty.
00	673848	Upper vane - assembly	1				
01	354464	Nut parlock 3/8" - 16 UNC	2				
02	416735	Flat washer 100 x 260 x 30	3				
03	204750	Stud bolt 3/8" x 245	1				
04	829382	Hex head bolt M8 x 25 x 1.25	4				
05	013433	Flat washer ш 4.8 x 16 x 1.6 inox	4				
06	204560	Adjustable flap	2				
07	519736	Lock washer ш	4				
08	221648	Nut M8 x 1.25 - stainless steel	4				
09	427971	Support body	2				

UPPER SWIRL CORE WITH 8 NOZZLE HOLDERS



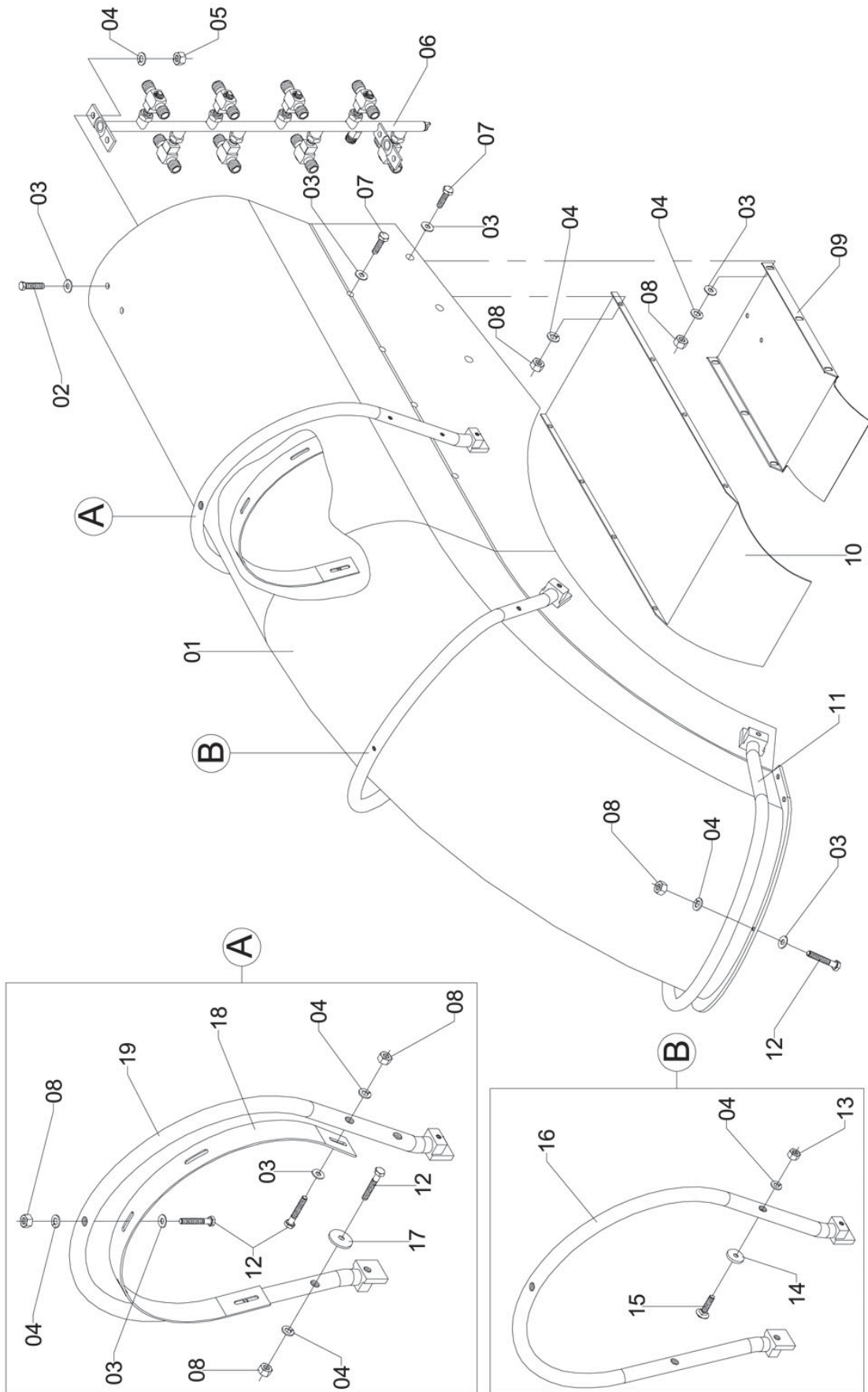
DF-105

UPPER SWIRL CORE WITH 8 NOZZLE HOLDERS

Continuation

Item	CODE	DESCRIPTION	Qty.	Item	CODE	DESCRIPTION	Qty.
00	1191145	Upper swirl core with 8 nozzle holders	1				
01	654004	Top volute 60e	1				
02	295311	Screw M6 x 25 x 1,00 (stainless)	4				
03	413468	Flat washer ω 6.8 x 18 x 1.2 - stainless steel	28				
04	521666	Lock washer ω 5 - stainless steel	27				
05	730309	Hex. nut M6 x 1.00 - Steel	4				
06	1187834	Branch assembly - 8 nozzle holders	1				
07	810697	Bolt M6 x 1 x 20 CL8.8	14				
08	810689	Hex. nut M6 x 1 CL8	24				
09	572446	Lower vane body	1				
10	238360	Upper vane	1				
11	238329	Lower arch clamp	1				
12	443713	Screw M6 x 40 x 1.00	10				
13	912741	Nut ω 1/4" - 20 UNC	3				
14	416735	Flat washer 100 x 260 x 30	3				
15	208397	Screw 1/4" x 20 UNC x1.1/2"	3				
16	654087	Intermediate arch	1				
17	316471	Flat washer 68 x 376 x 19	2				
18	878637	Locking arch	1				
19	238337	Upper arch clamp	1				

UPPER SWIRL CORE ASSEMBLY



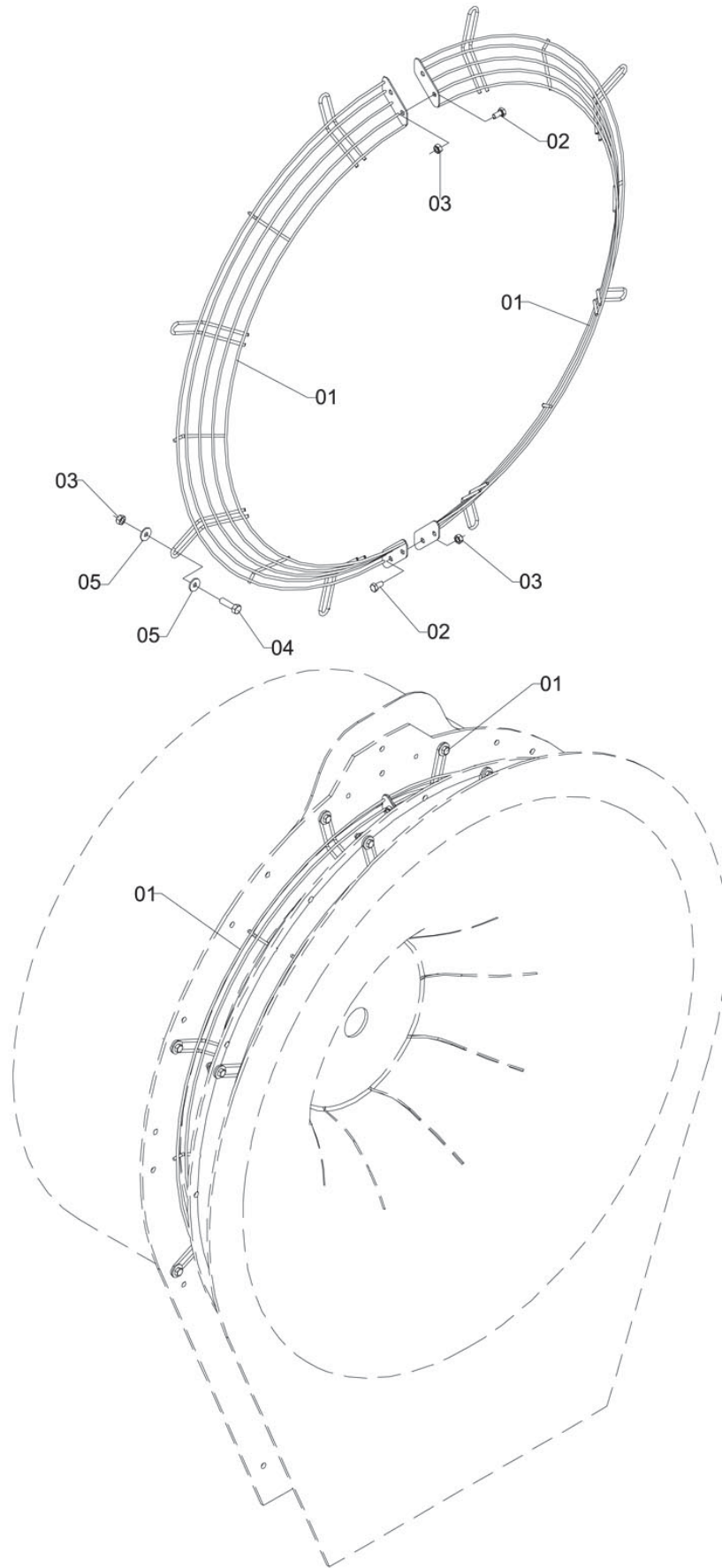
DF-61

UPPER SWIRL CORE ASSEMBLY

Continuation

Item	CODE	DESCRIPTION	Qty.	Item	CODE	DESCRIPTION	Qty.
00	610310	Upper Swirl Core Assembly	1				
01	654004	Top volute 60e	1				
02	295311	Screw M6 x 25 x 1,00 (stainless)	4				
03	413468	Flat washer ω 6.8 x 18 x 1.2 - stainless steel	30				
04	521666	Lock washer ω 5 - stainless steel	31				
05	730309	Hex. nut M6 x 1.00 - Steel	4				
06	389106	Upper volute branch for 8 nozzles	1				
07	810697	Bolt M6 x 1 x 20 CL8.8	14				
08	810689	Hex. nut M6 x 1 CL8	24				
09	572446	Lower vane body	1				
10	238360	Upper vane	1				
11	238329	Lower arch clamp	1				
12	443713	Screw M6 x 40 x 1.00	10				
13	912741	Nut ω 1/4" - 20 UNC	3				
14	416735	Flat washer 100 x 260 x 30	3				
15	208397	Screw 1/4" x 20 UNC x1.1/2"	3				
16	654087	Intermediate arch	1				
17	316471	Flat washer 68 x 376 x 19	2				
18	878637	Locking arch	1				
19	238337	Upper arch clamp	1				

SIDE GUARD ASSEMBLY



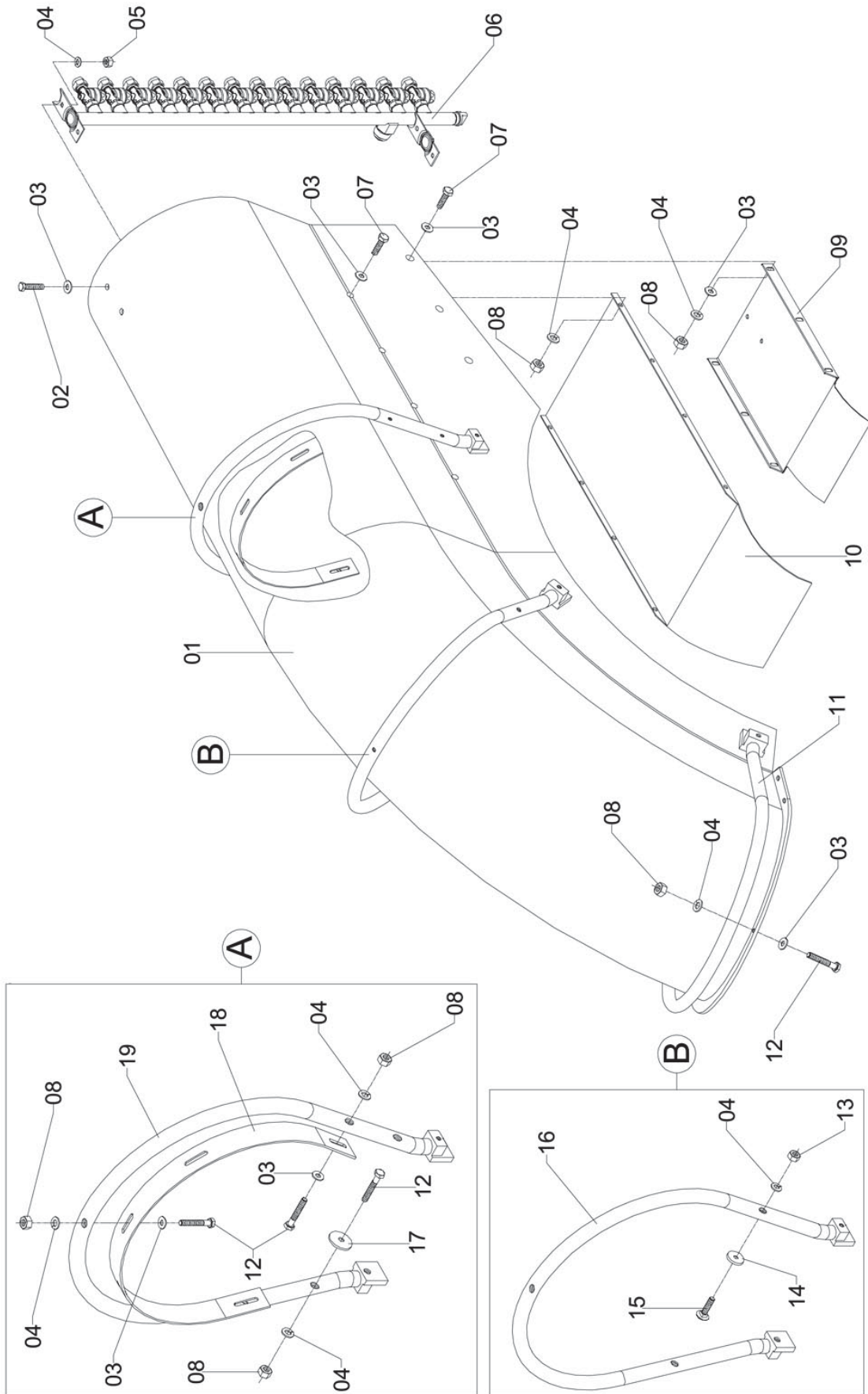
C-438

SIDE GUARD ASSEMBLY

Continuation

Item	CODE	DESCRIPTION	Qty.	Item	CODE	DESCRIPTION	Qty.
00	1176071	Side guard assembly	1				
01	1176062	Side guard screen	4				
02	923912	Hexagonal screw M8 x 1,25 x 16 CL70	8				
03	411272	Hexagonal nut M 8 x 1,25 - inox	24				
04	448233	Bolt M8 x 30 x 1,25	16				
05	814988	Flat washer 8.4 x 24.0 x 2.0 - Stainless steel	32				

UPPER SWIRL CORE WITH 14-NOZZLE BRANCH - AG



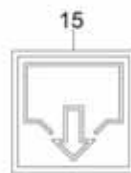
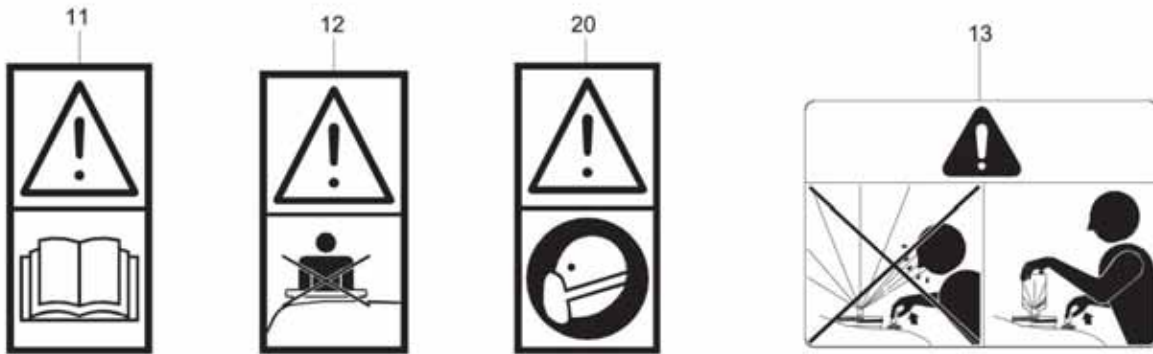
DF-103

UPPER SWIRL CORE WITH 14-NOZZLE BRANCH - AG

Continuation

Item	CODE	DESCRIPTION	Qty.	Item	CODE	DESCRIPTION	Qty.
00	1187916	Upper swirl core with 14-nozzle branch - AG	1				
01	654004	Top volute 60e	1				
02	295311	Screw M6 x 25 x 1,00 (stainless)	4				
03	413468	Flat washer ω 6.8 x 18 x 1.2 - stainless steel	28				
04	521666	Lock washer ω 5 - stainless steel	27				
05	730309	Hex. nut M6 x 1.00 - Steel	4				
06	1187833	Branch assembly - 14 nozzle holders	1				
07	810697	Bolt M6 x 1 x 20 CL8.8	14				
08	810689	Hex. nut M6 x 1 CL8	24				
09	572446	Lower vane body	1				
10	238360	Upper vane	1				
11	238329	Lower arch clamp	1				
12	443713	Screw M6 x 40 x 1.00	10				
13	912741	Nut ω 1/4" - 20 UNC	3				
14	416735	Flat washer 100 x 260 x 30	3				
15	208397	Screw 1/4" x 20 UNC x1.1/2"	3				
16	654087	Intermediate arch	1				
17	316471	Flat washer 68 x 376 x 19	2				
18	878637	Locking arch	1				
19	238337	Upper arch clamp	1				

STICKER (TRAILER ARBUS LINE)



			lbf/po ²	Kgf/cm ²
Arbus 500	175/70 R13		32	2,25
Arbus 500	7.35-14		26	1,85
Arbus 1000	7.35-14		36	2,55
Arbus 1500/725	7.50-16		36	2,55
Arbus 1500/850	11L-15		44	3,10
Arbus 2000/750	11L-15		44	3,10
Arbus 2000/850	11L-15		44	3,10
Arbus 2000/850	7.50-16		50	3,50
Arbus 2000/850	12.5/80-18		24	1,70
Arbus 4000/850	16.0-20		36	2,50
Jatão 1000	11L-15		24	1,70
Jatão 2600	11L-15		44	3,10
Jatão 2600	7.50-16		50	3,50
Jatão 2600	12.4-24		26	1,83
Coral 2P e EM	7.5-16		56	3,95

17



18

	Kgf.m	N.m	lbf.ft	
M16	19.3 - 25.2	190 - 247	140 - 182	
M20	39 - 50	383 - 490	282 - 362	
1/2"	10.3 - 11.7	100 - 115	75 - 85	
5/8"	18 - 23.5	176 - 230	130 - 169	

19

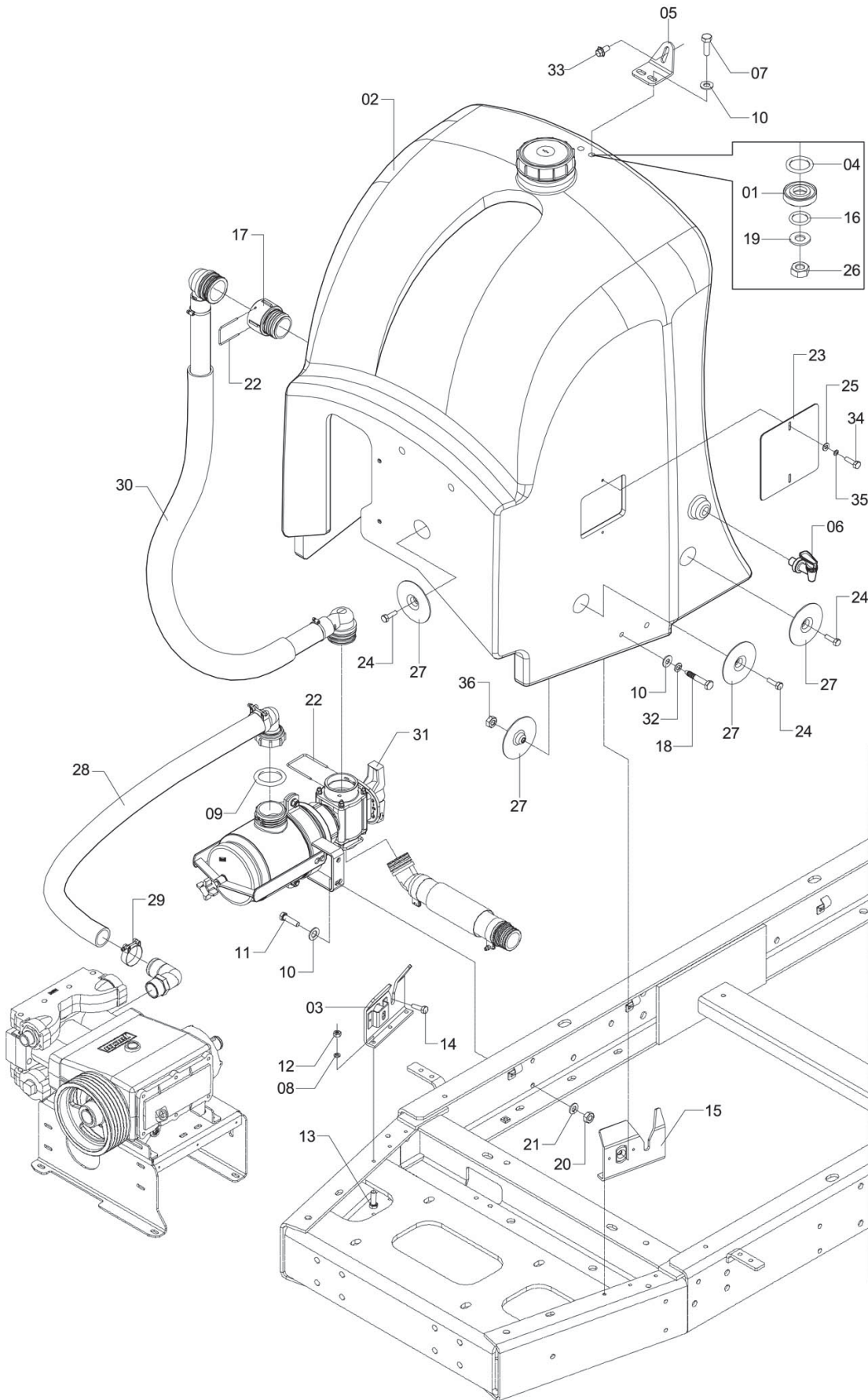
ADS-210

STICKER (TRAILER ARBUS LINE)

Continuation

Item	CODE	DESCRIPTION	Qty.	Item	CODE	DESCRIPTION	Qty.
00	906008	Sticker (Trailer Arbus line)	1				
01	379008	Decal "Danger - PTO Shaft"	1				
02	379040	Decal (Attention: Keep away)	1				
03	379057	Sticker: "Keep at a Distance - Fan"	1				
04	379065	Decal "Keep all protection devices in their places."	1				
05	379073	Sticker: "Tank - Water for Washing Hands"	1				
06	379222	Decal "Attention: This machined is not allowed in highways."	1				
07	379123	Decal "Obligatory use of the hearing protector."	1				
08	379131	Decal "Obligatory use of protective clothing."	1				
09	379214	Sticker: "Maximum Speed 30 KM/H"	1				
10	379107	Sticker: "Hydraulic Oil Level"	1				
11	379248	Sticker: "Read Manual" Vertical	1				
12	380014	Decal (Attention: do not get into the main tank of the sprayer)	1				
13	169128	Sticker: "Chemical container rinse nozzle"	1				
14	379230	Sticker: "Read Manual" Horizontal	1				
15	389387	Sticker: "Drain Indication"	1				
16	276238	Sticker: "Jack Positioning Indication"	2				
17	391631	Sticker: "Tire Pressure Indication"	2				
18	395061	Sticker: "Lubrication Point Indication - Oil"	2				
19	379164	Sticker: "Nut Torque"	2				
20	379115	Decal "Obligatory use of the protective mask."	1				

FRONT HOOD ASSEMBLY



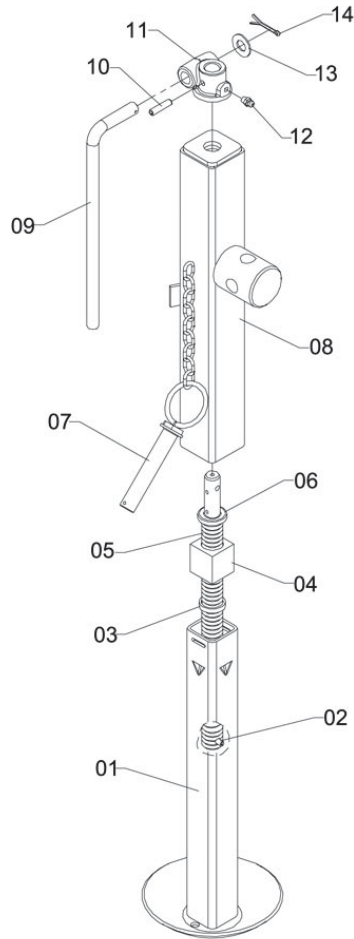
CD-1136

FRONT HOOD ASSEMBLY

Continuation

Item	CODE	DESCRIPTION	Qty.	Item	CODE	DESCRIPTION	Qty.
00	288688	Front hood assembly	1				
01	155473	Sealing washer 1" x 10.5	2				
02	268755	Hood with 90-liter tank and cover	1				
03	277228	Hood support - right	1				
04	322057	O-ring ORI-114	2				
05	191767	Hood Fastener	1				
06	044180	Plastic tap 23 x 3/8" BSP	1				
07	443838	Bolt M10 x 254 x 19	2				
08	521666	Lock washer ω 5 - stainless steel	6				
09	588665	Packing ring	1				
10	623884	Flat washer ω 10.5 x 21 x 2 - stainless steel	6				
11	757559	Hex. bolt M10 x 30 x 1.25	3				
12	810689	Hex. nut M6 x 1 CL8	6				
13	810697	Bolt M6 x 1 x 20 CL8.8	6				
14	832170	Hex. bolt M12 x 45 x 1.75 cl 5.8	2				
15	083717	Hood support - Left	1				
16	231845	O-ring OR1-110	2				
17	991703	Tank sump fitting	1				
18	265165	Hood Fastener	2				
19	109678	Flat washer 105 x 254 x 12.4	2				
20	907030	Hex. nut M10 x 1.25	2				
21	209395	Lock washer M10	3				
22	970103	Lock 56	2				
23	1166562	Front hood guard	1				
24	829382	Hex head bolt M8 x 25 x 1.25	5				
25	275602	Flat washer 63 x 130 x 12	2				
26	132167	Hex. nut M10 x 1.5 - stainless steel	2				
27	277236	Washer no. 1000 x 90 x 19	10				
28	283846	Hose - Pump / Filter	1				
29	787309	Clamp 5765	1				
30	292235	Hose - Filter / Cowling	1				
31	279844	Suction filter with valve 200 L/min	1				
32	519736	Lock washer ω	5				
33	1172463	Flange hex head bolt M10 x 1.5 x 20	1				
34	086397	Screw M5 x 12 - Steel	2				
35	520676	Lock washer ω 5	2				
36	810770	Hex. nut M8 x 1.25	5				

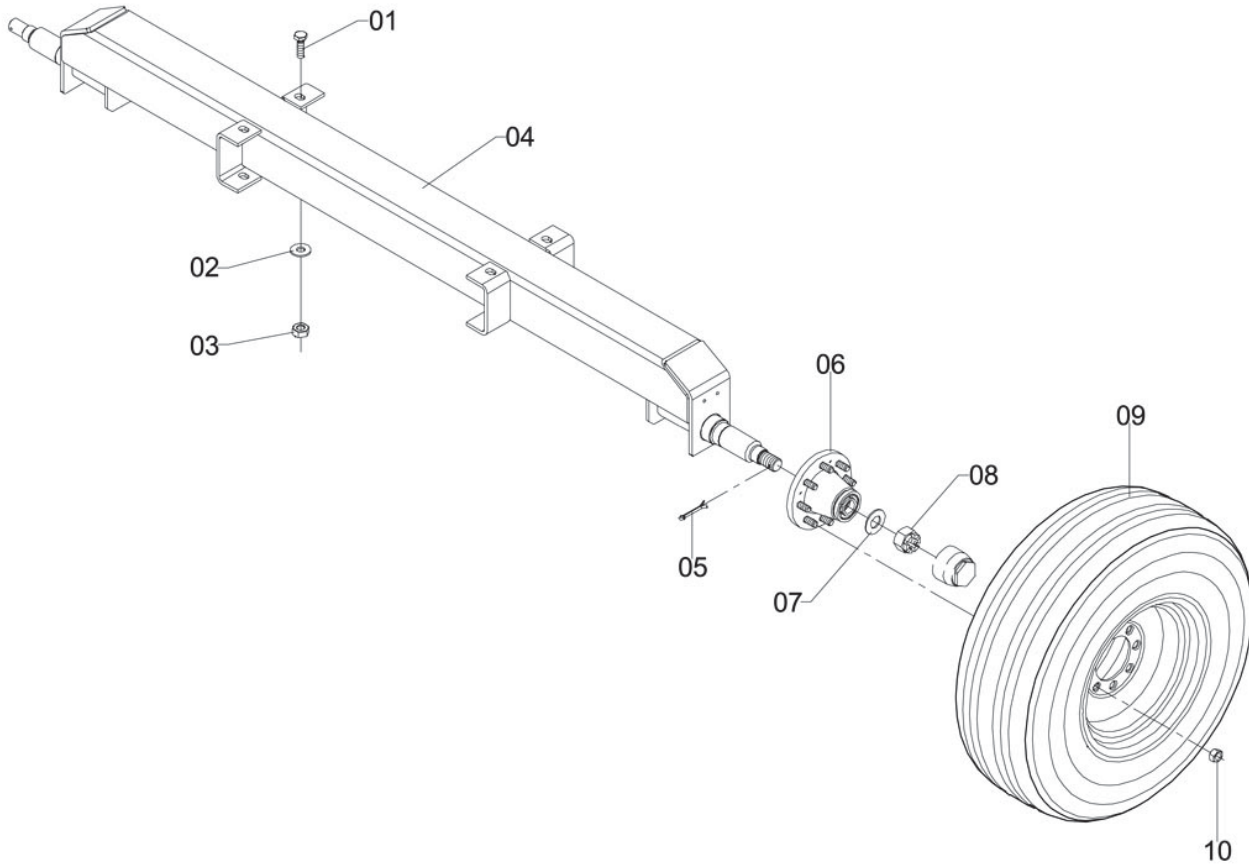
JACK NO. 10



MC-15

Item	CODE	DESCRIPTION	Qty.	Item	CODE	DESCRIPTION	Qty.
00	431064	Jack no. 10	1				
01	670364	Sliding bar	1				
02	103978	Flexible pin 6 x 24	1				
03	429803	Seat ring	1				
04	426544	Square nut	1				
05	330019	Screw \varnothing 7/8" - 9 UNC x 360	1				
06	330084	Bearing	1				
07	431106	Lock pin	1				
08	670323	Jack body	1				
09	331314	Jack handle	1				
10	910802	Flexible pin 6 x 28	1				
11	330043	Bolt head	1				
12	910463	Grease nipple 1/4" - 28 UNF	1				
13	315002	Flart washer 130 x 254 x 15	1				
14	910240	Cotter pin \varnothing 3.17 x 25.4	1				

ADJUSTABLE AXLE NO 26

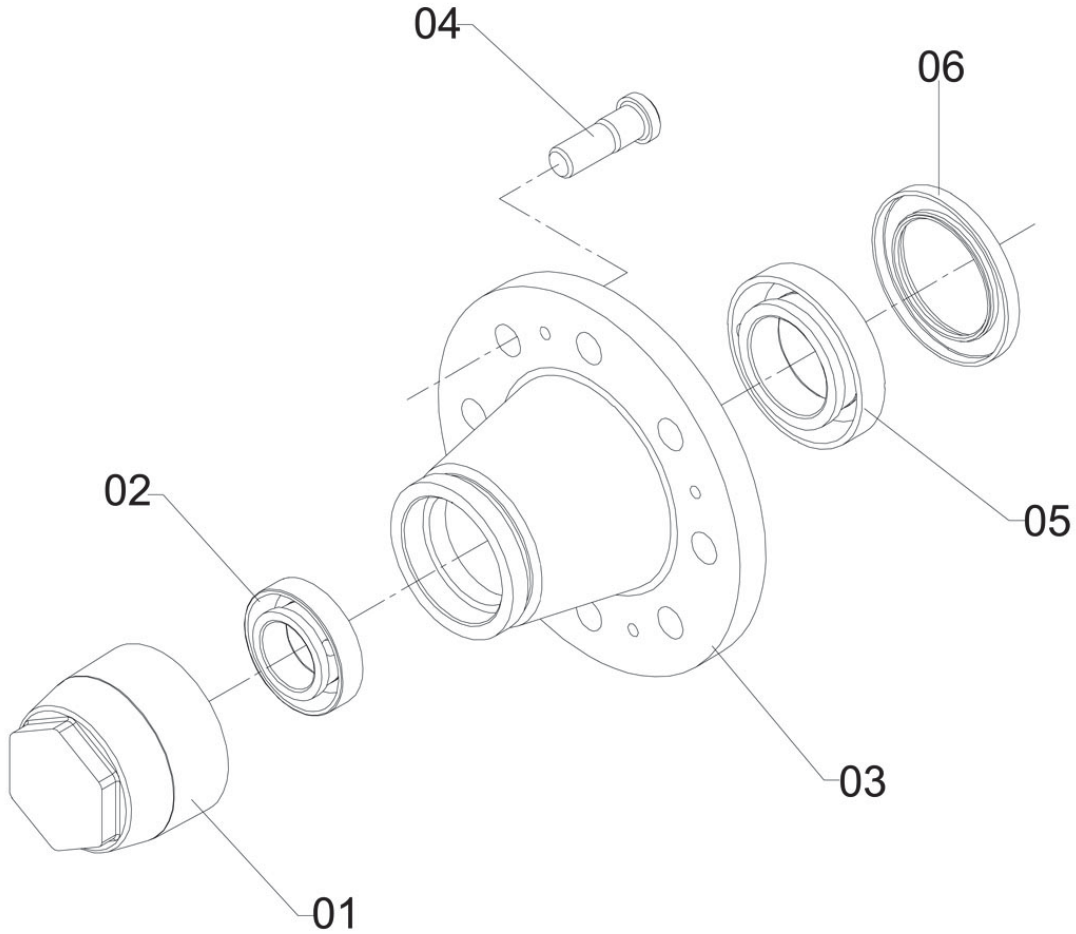


EX-227

Item	CODE	DESCRIPTION	Qty.
00	855718	Adjustable axle no 26	1
01	984963	Hex. bolt M16 x 50 x 1.50	4
02	881243	Flat washer \varnothing 17 x 30 x 1,9 - stainless steel	4
03	044107	Parlock hex. nut M16 x 1.50	4
04	853366	Shaft 2323 EF-26	1
05	831354	Cotter pin \varnothing 6.30 x 50.8	2
06	063586	Wheel hub assembly - 8 holes	2
07	881334	Flat washer 330 x 650 x 31	2
08	831347	Castle nut M30 x 2"	2
09	176917	Tire assembly 11lb x 15 with 8-hole wheel	2
10	700377	Lug nut \varnothing 5/8" - 18 UNF	16

Item	CODE	DESCRIPTION	Qty.

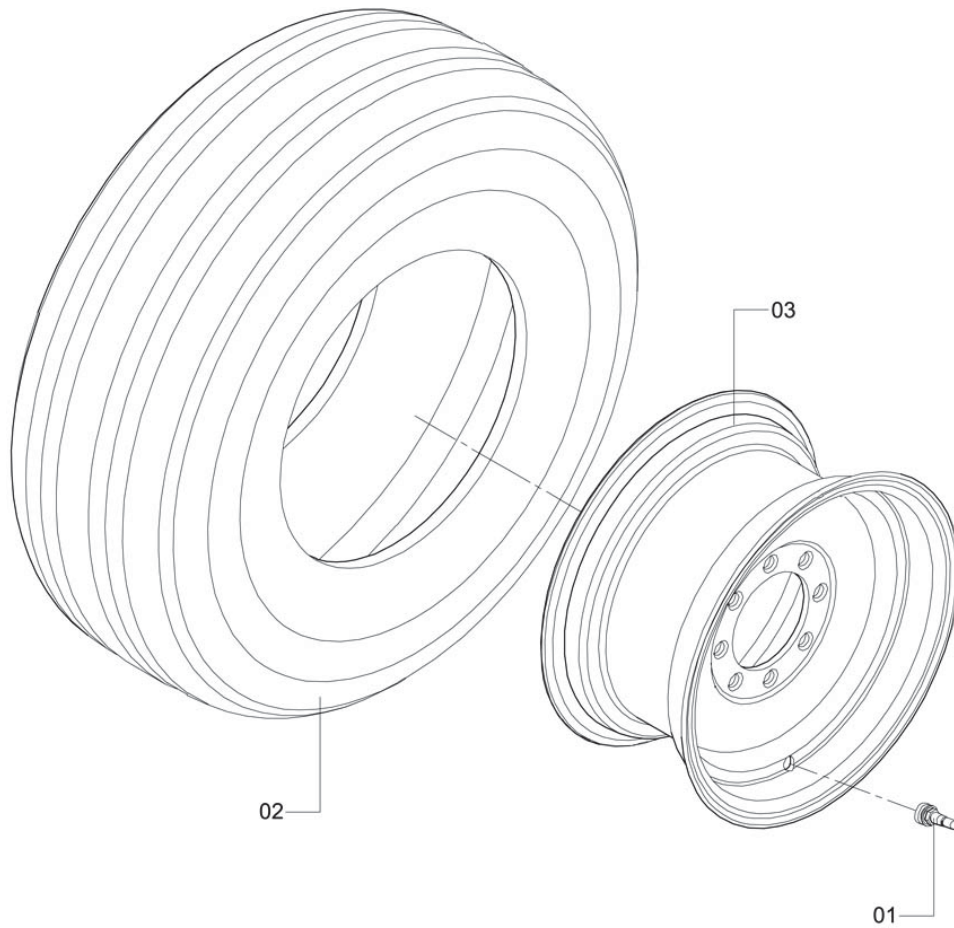
WHEEL HUB ASSEMBLY - 8 HOLES



EX-206

Item	CODE	DESCRIPTION	Qty.	Item	CODE	DESCRIPTION	Qty.
00	063586	Wheel hub assembly - 8 holes	1				
01	610188	Hub cap	1				
02	717173	Cone bearing	1				
03	715706	Wheel hub - 8 holes (machined part)	1				
04	715797	Bolt - 5/8" - 18 UNF x 50	8				
05	715805	Cone bearing	1				
06	715789	Retainer 60 x 90.30 x 10	1				

TIRE ASSEMBLY 11LB X 15 WITH 8-HOLE WHEEL

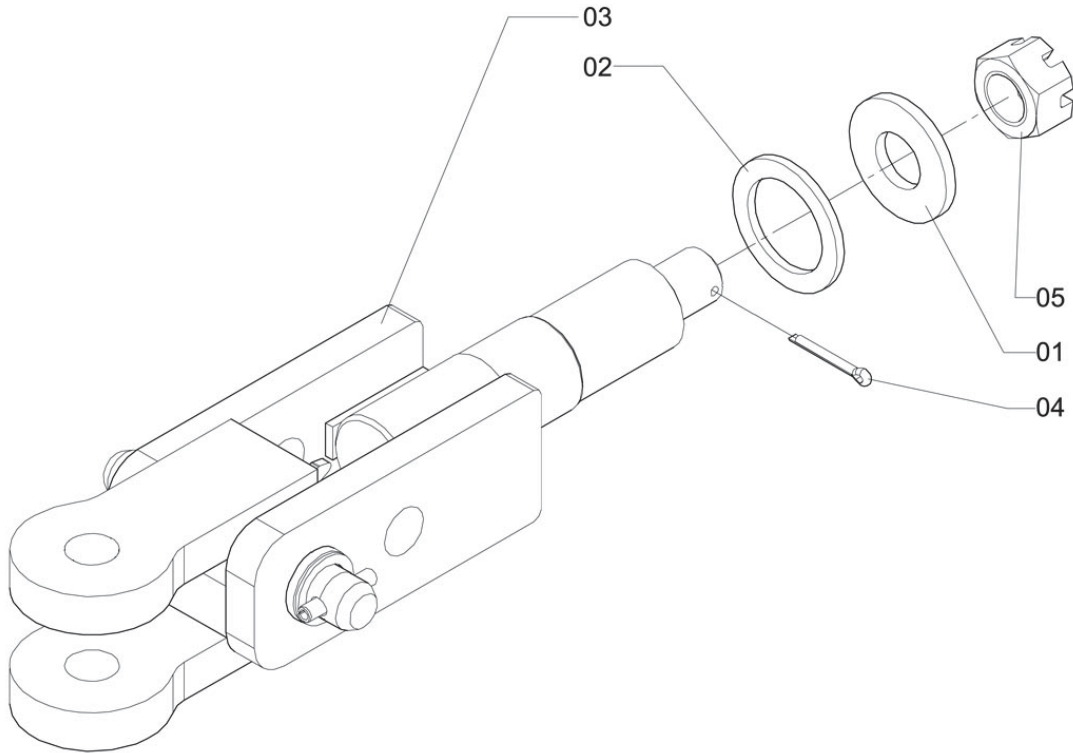


EX-288

Item	CODE	DESCRIPTION	Qty.
00	176917	Tire assembly 11lb x 15 with 8-hole wheel	1
01	009984	Valve TR-618	1
02	006923	Tire 11L-15 - 12 plies	1

Item	CODE	DESCRIPTION	Qty.

ARTICULATED HITCH ASSEMBLY - TRACTOR CLASS "I" ASAE

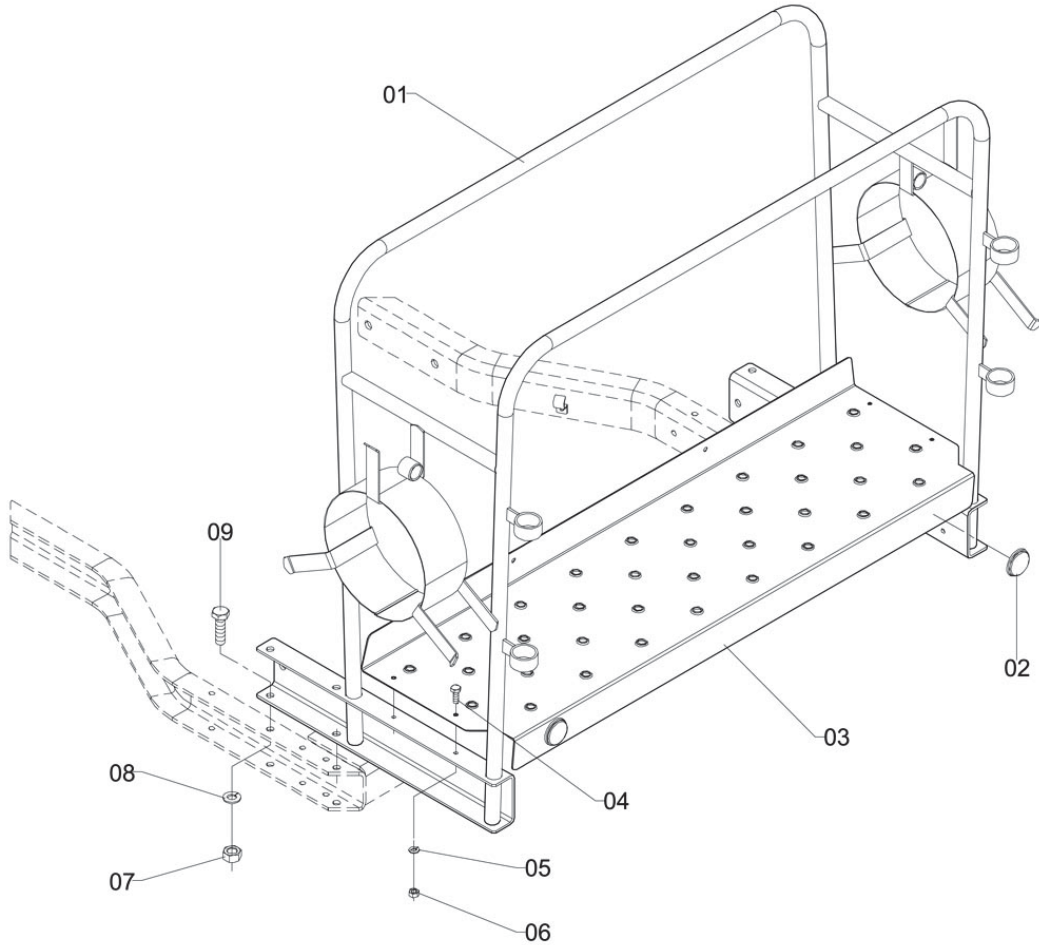


C-498

Item	CODE	DESCRIPTION	Qty.
00	487215	Articulated hitch assembly - Tractor Class "I" ASAE	1
01	001982	Flat washer 300 x 650 x 63	1
02	007567	Flat washer 500 x 700 x 47.5	1
03	1145214	Articulated Hitch	1
04	209783	Cotter pin ω 4.75 x 38.1	1
05	625160	Castle nut 1.1/8" - 7 UNC	1

Item	CODE	DESCRIPTION	Qty.

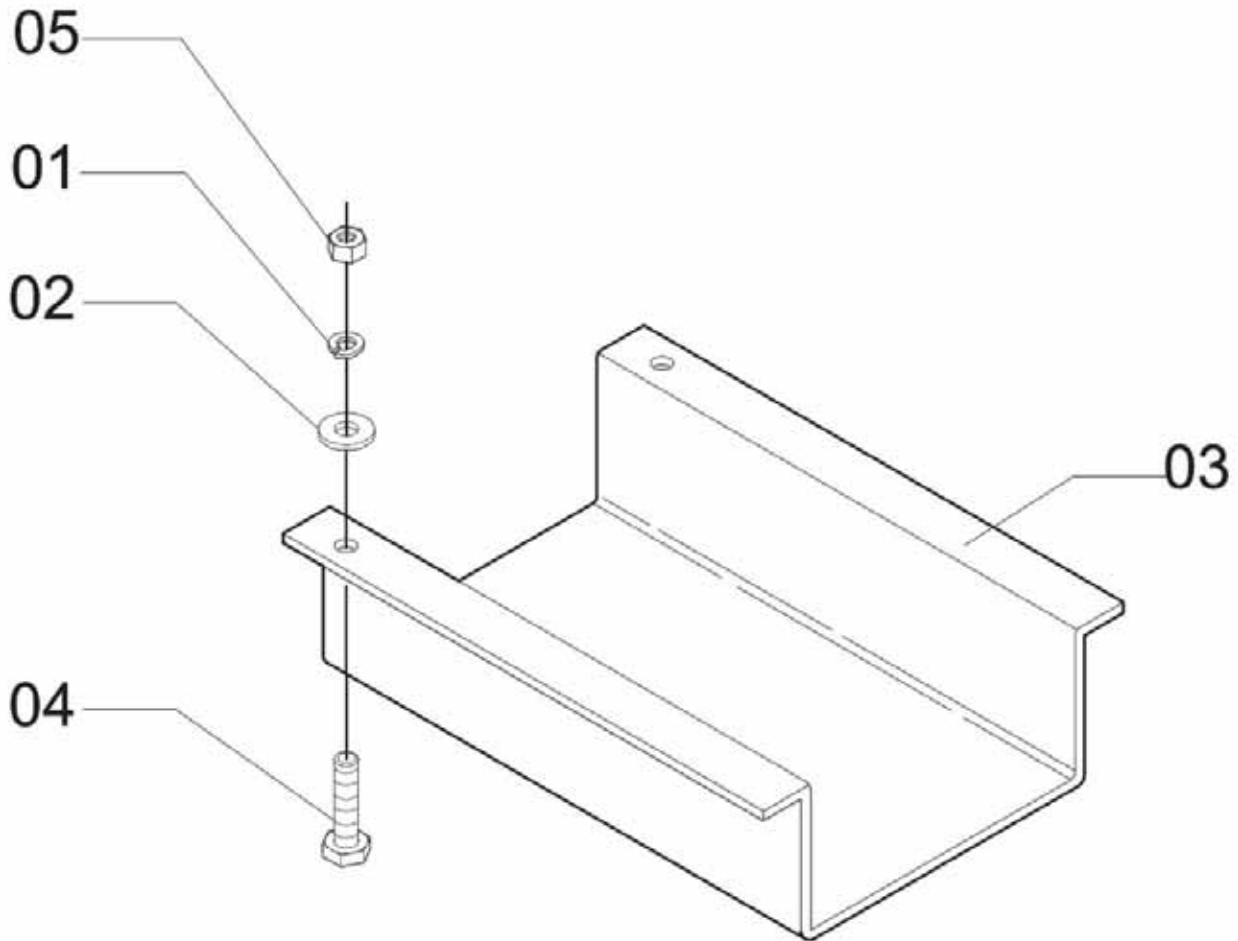
REAR PLATFORM



C-435

Item	CODE	DESCRIPTION	Qty.	Item	CODE	DESCRIPTION	Qty.
00	111138	Rear platform	1				
01	111062	Platform mounting base	1				
02	097360	Reflector	2				
03	389940	Platform base	1				
04	810697	Bolt M6 x 1 x 20 CL8.8	4				
05	521666	Lock washer ω 5 - stainless steel	4				
06	810689	Hex. nut M6 x 1 CL8	4				
07	427013	Nut ABTN - 1020 thread M12 x 1,5 CL8	4				
08	209163	Lock washer M12	4				
09	280925	Hex. head bolt M12 x 35 x 1,50	4				

HOSE PROTECTOR

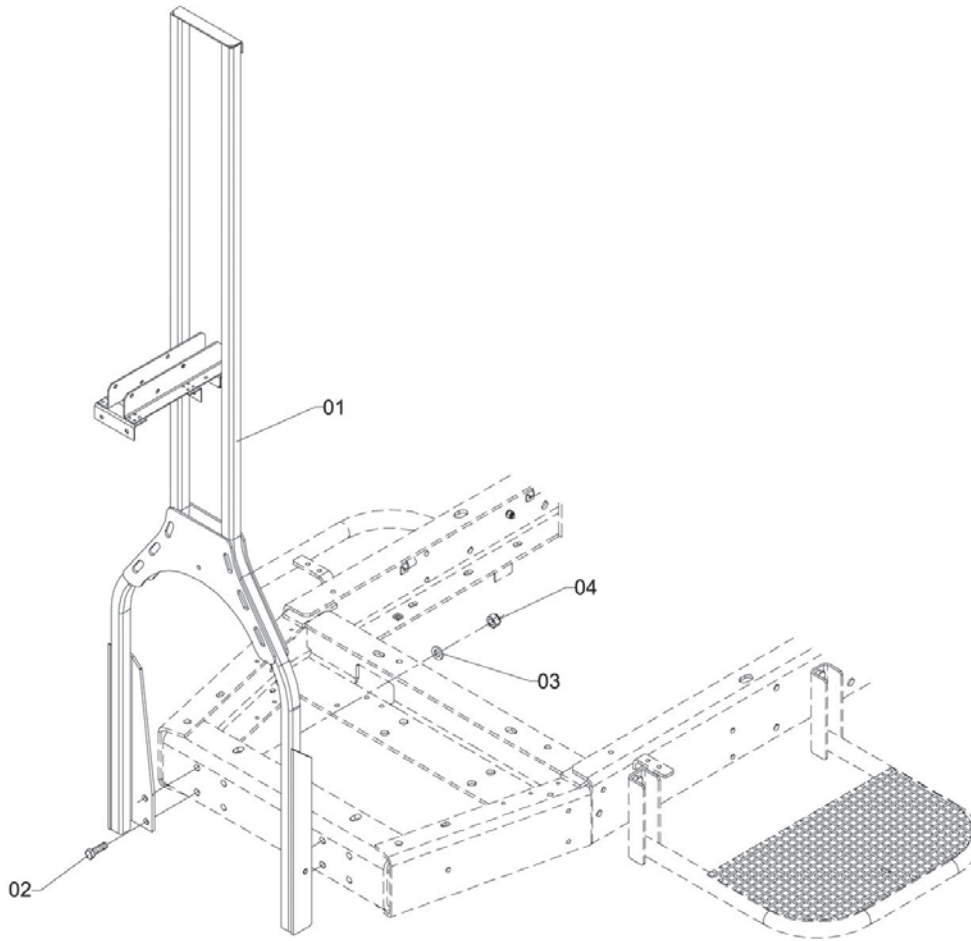


CD-270

Item	CODE	DESCRIPTION	Qty.
00	681973	Hose protector	1
01	209395	Lock washer M10	2
02	623884	Flat washer \varnothing 10.5 x 21 x 2 - stainless steel	2
03	724195	Protector	1
04	757559	Hex. bolt M10 x 30 x 1.25	2
05	907030	Hex. nut M10 x 1.25	2

Item	CODE	DESCRIPTION	Qty.

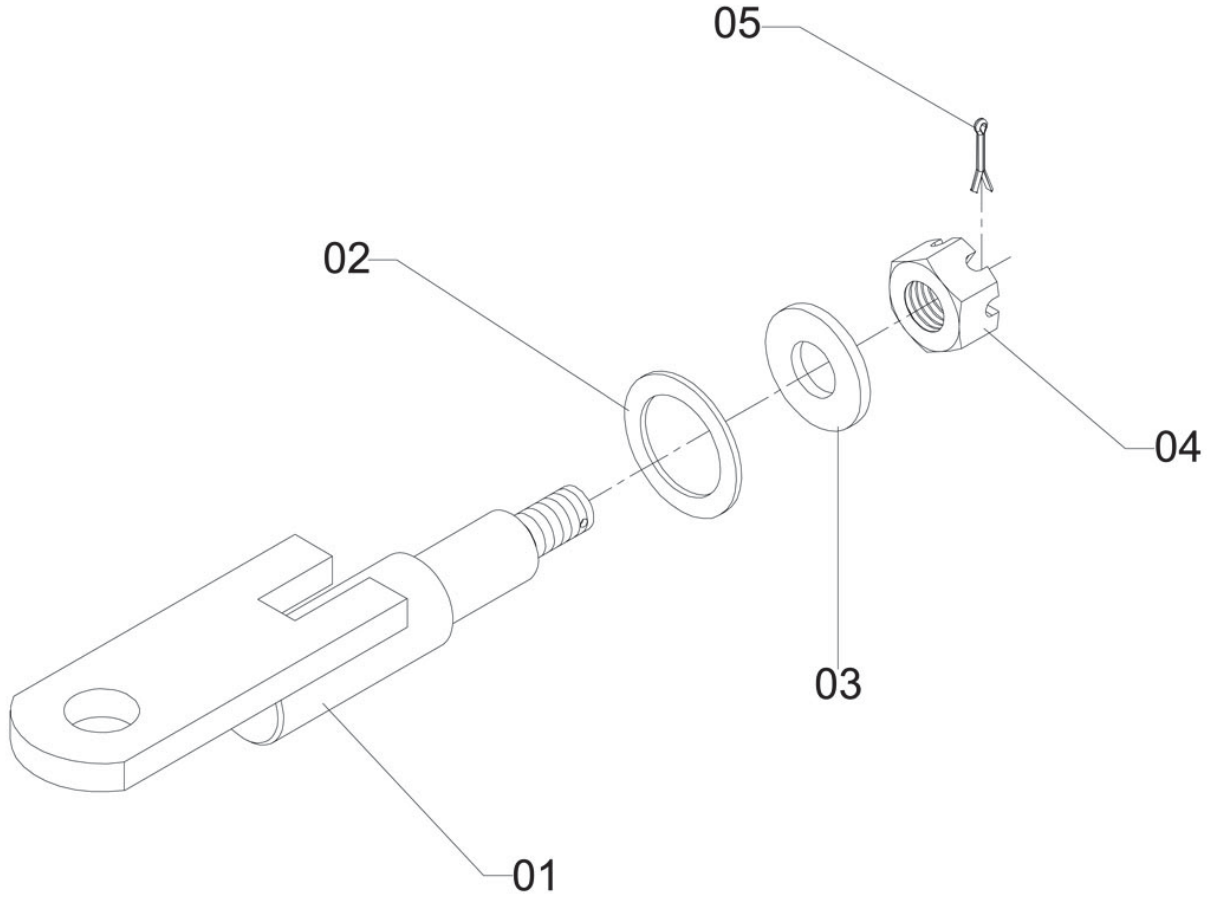
SENSOR SUPPORT COMPLEMENTS



C-915

Item	CODE	DESCRIPTION	Qty.	Item	CODE	DESCRIPTION	Qty.
00	1173278	Sensor support complements	1				
01	252585	Sensor housing support	1				
02	383802	Hex. bolt M12 x 40 x 1,50	4				
03	818112	Flat washer 130 x 240 x 30	4				
04	173245	Hex. nut parlock M12 x 1,25	4				

TRAILER HITCH NO. 8

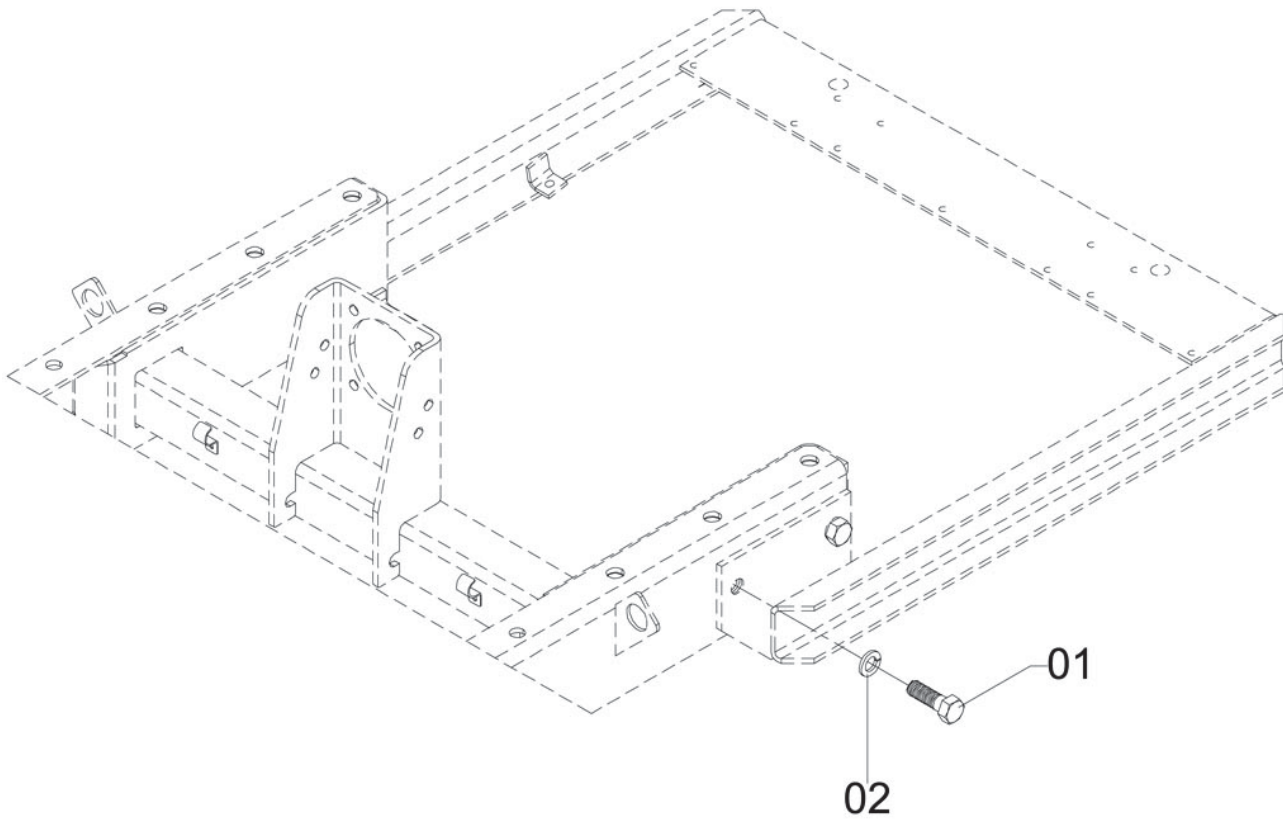


C-490

Item	CODE	DESCRIPTION	Qty.
00	683953	Trailer hitch no. 8	1
01	945436	Trailer hitch no. 8	1
02	007567	Flat washer 500 x 700 x 47.5	1
03	001982	Flat washer 300 x 650 x 63	1
04	625160	Castle nut 1.1/8" - 7 UNC	1
05	209783	Cotter pin \varnothing 4.75 x 38.1	1

Item	CODE	DESCRIPTION	Qty.

BUMPER FASTENING

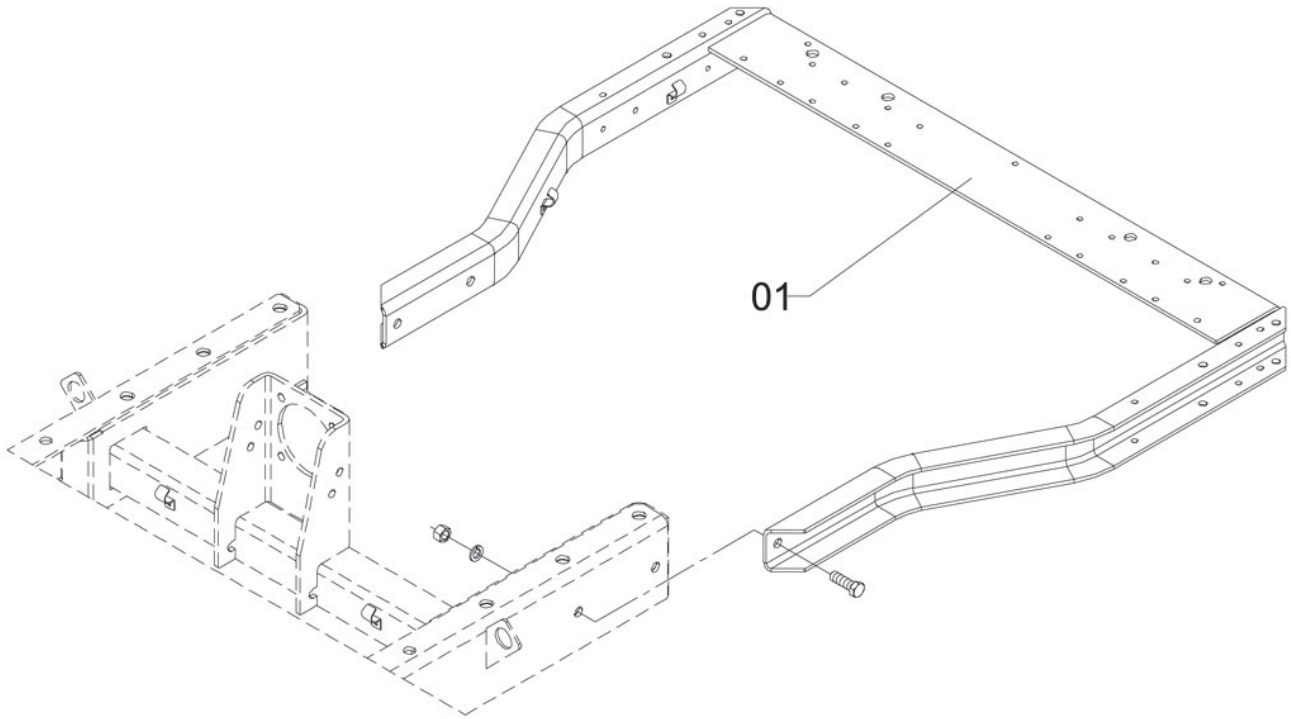


C-391

Item	CODE	DESCRIPTION	Qty.
00	1173190	Bumper fastening	1
01	934422	Hex. bolt M16 x 50	4
02	764142	Lock washer M16	4

Item	CODE	DESCRIPTION	Qty.

REAR BUMPER

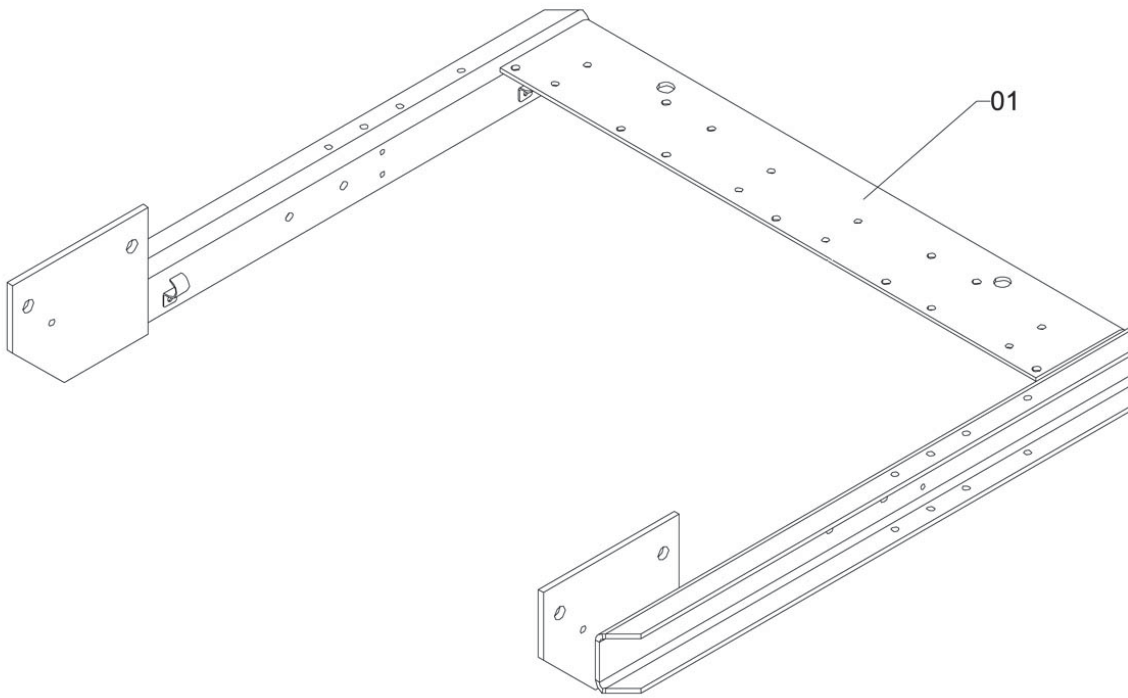


C-437

Item	CODE	DESCRIPTION	Qty.
00	325258	Rear bumper	1
01	325258	Rear bumper	1

Item	CODE	DESCRIPTION	Qty.

REAR BUMPER

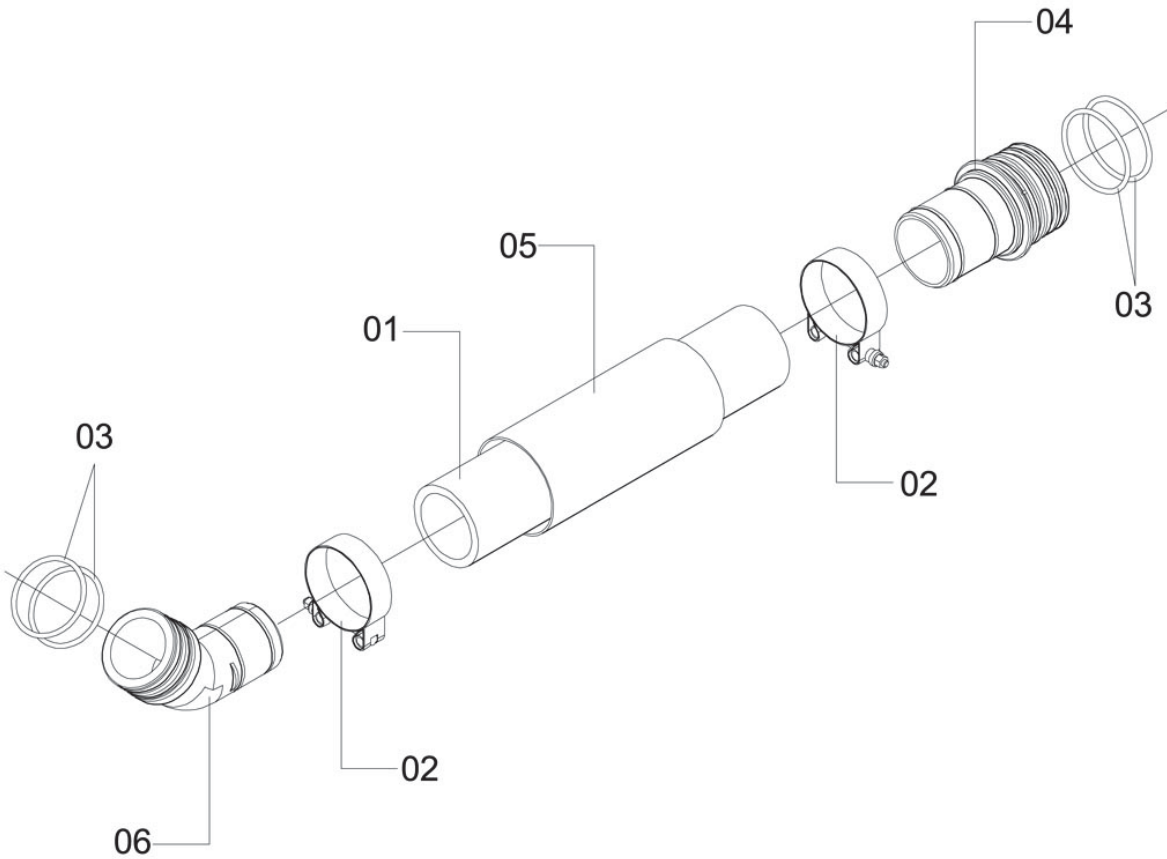


C-708

Item	CODE	DESCRIPTION	Qty.
00	941971	Rear bumper	1
01	941971	Rear bumper	1

Item	CODE	DESCRIPTION	Qty.

HOSE - FILTER / TANK

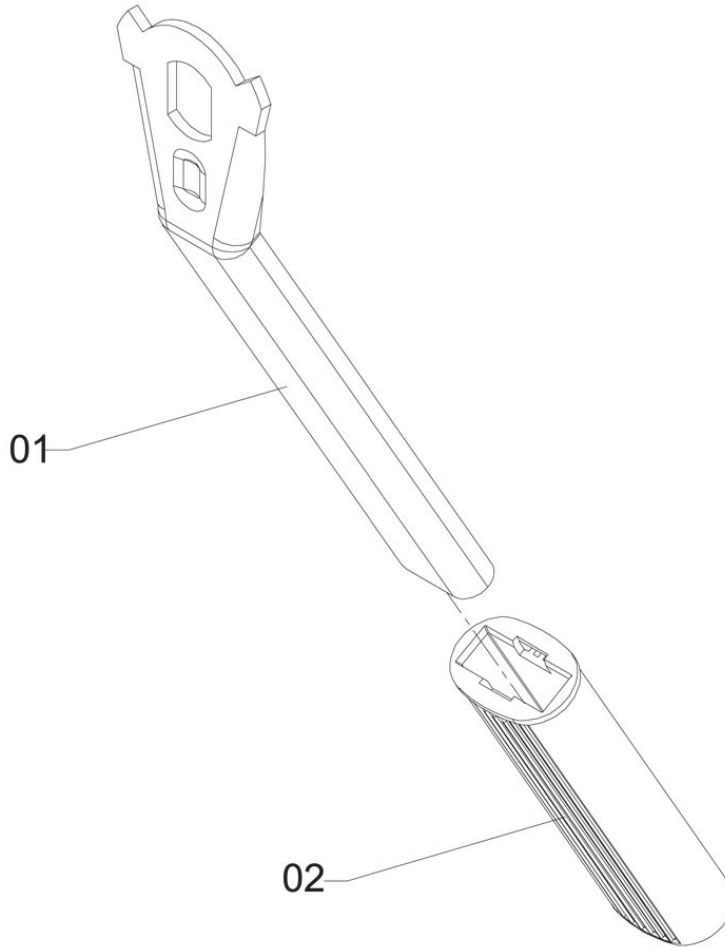


CD-719

Item	CODE	DESCRIPTION	Qty.
00	283838	Hose - Filter / Tank	1
01	010132	Hose SAE 100 R4 - 32 x 310	1
02	787309	Clamp 5765	2
03	417717	O-ring OR1-227	4
04	066043	Hose fitting 2"	1
05	066589	Protective hose 76.2 x 170	1
06	676312	Hose fitting ω 2" x 135	1

Item	CODE	DESCRIPTION	Qty.

ASSEMBLY LEVER

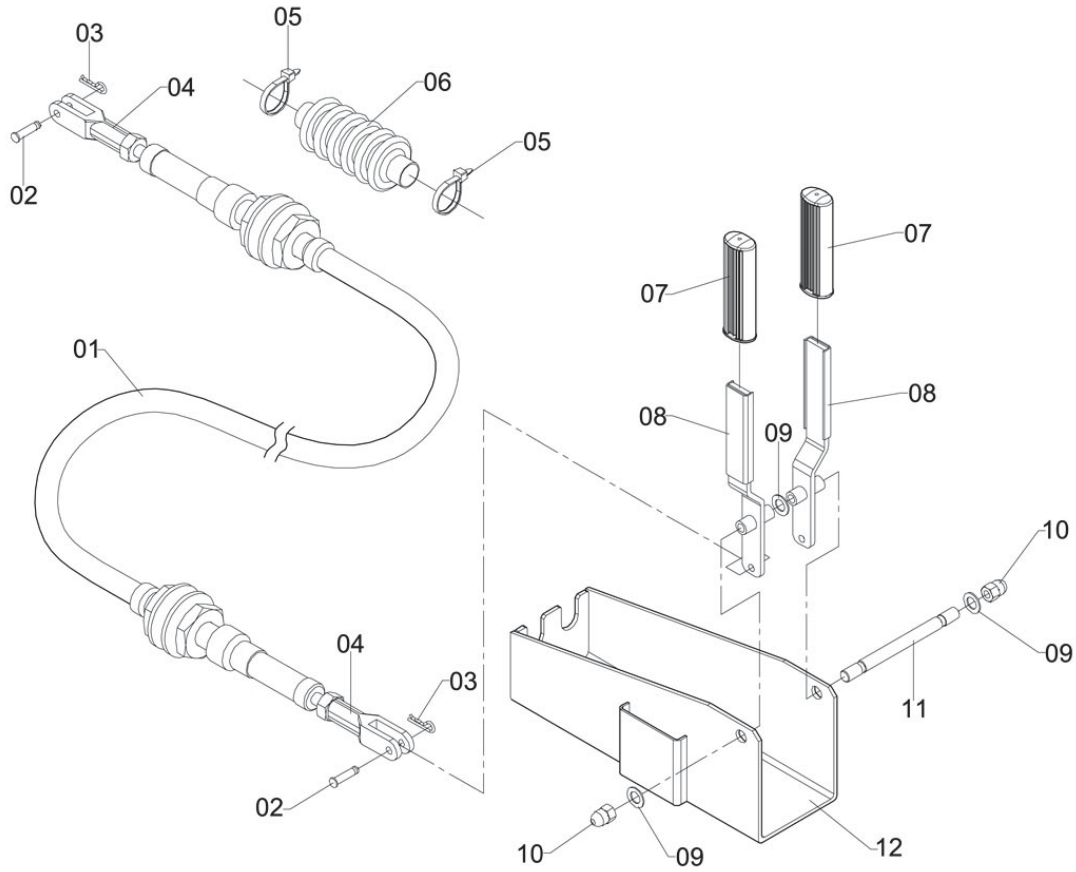


CV-516

Item	CODE	DESCRIPTION	Qty.
00	010587	Assembly lever	1
01	128678	Lever body	1
02	002683	Handrip	1

Item	CODE	DESCRIPTION	Qty.

ACTUATOR

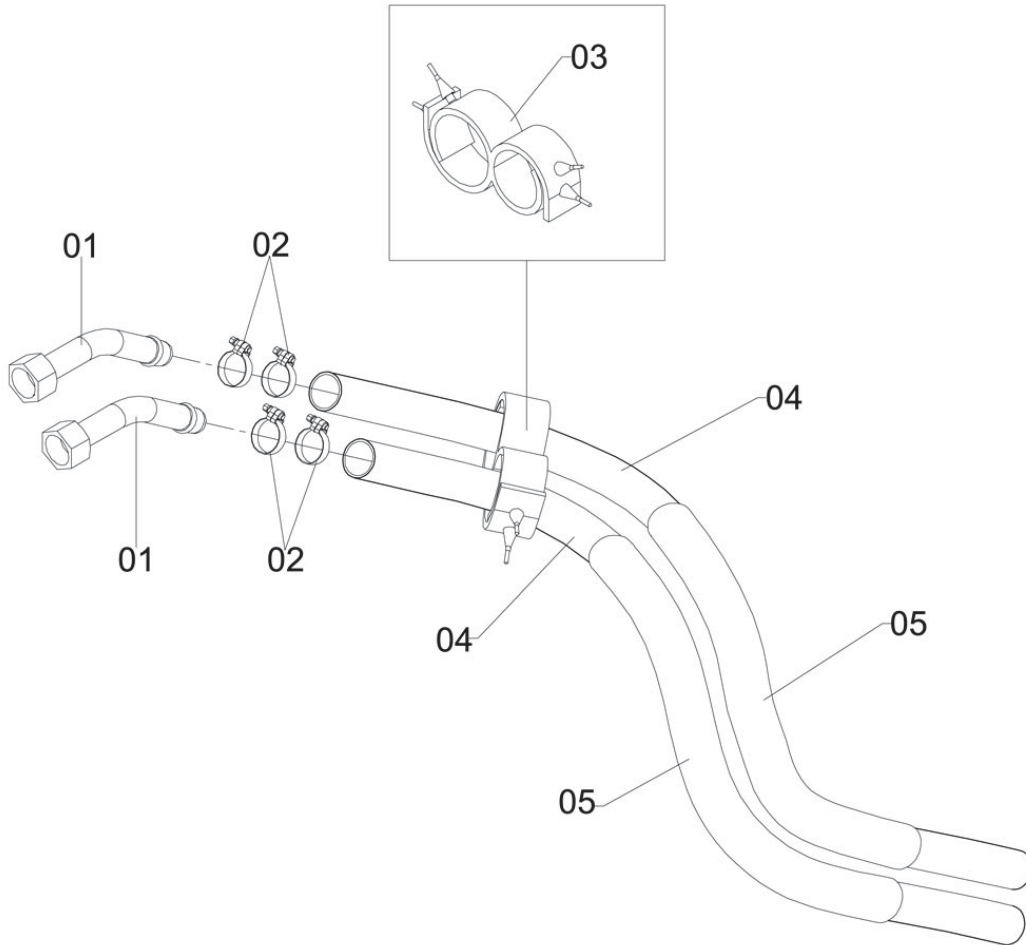


CV-447

Item	CODE	DESCRIPTION	Qty.
00	157040	Actuator	1
01	877373	Control flexible handgrip	2
02	431510	Joint pin	4
03	942904	Lock cotter pin \varnothing 2.1 x 84.5	4
04	458323	Coupling end 53.5	4
05	825406	Hose tie T 018 R	4
06	058164	Bellows protector	2
07	002683	Handrip	2
08	356741	Lever	2
09	013433	Flat washer \varnothing 4.8 x 16 x 1.6 inox	3
10	945832	Box nut M8 x 1,0	2
11	947762	Stud bolt M8 x 98 x 1.25	1
12	431700	Lever support	1

Item	CODE	DESCRIPTION	Qty.

HOSE - CONTROL / TUBING

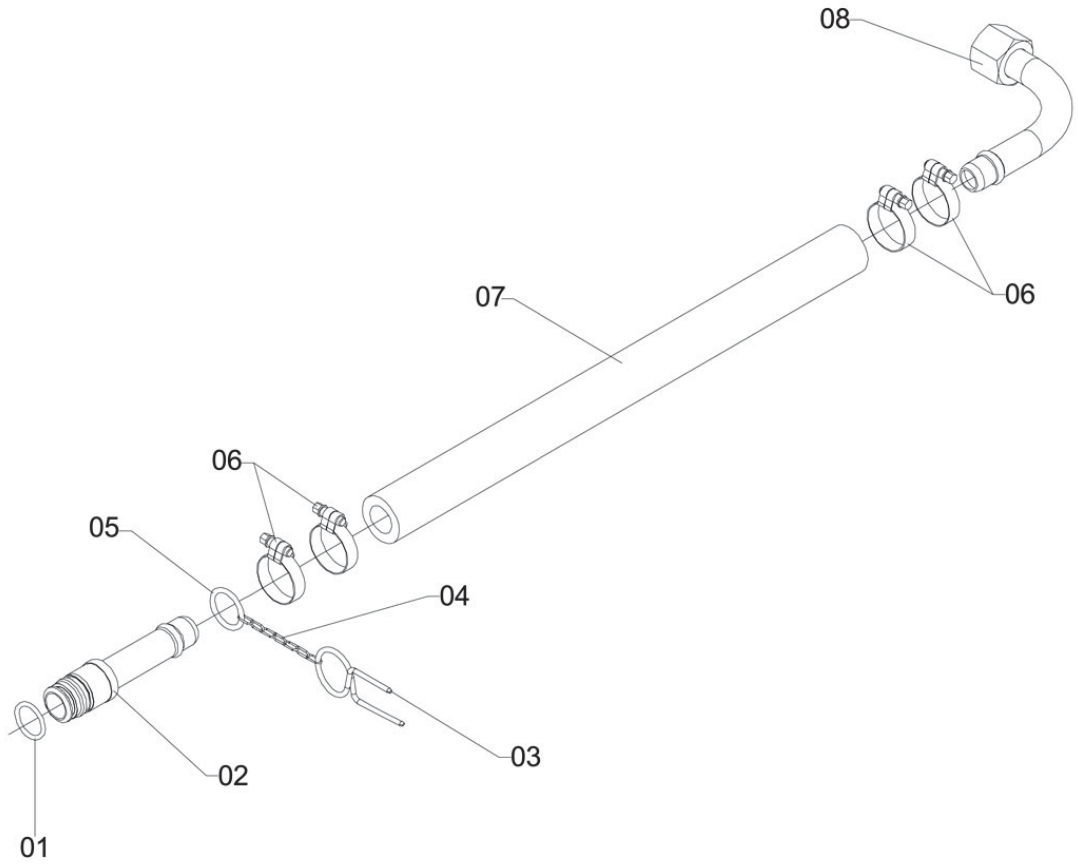


CD-720

Item	CODE	DESCRIPTION	Qty.
00	283861	Hose - control / tubing	1
01	434407	Curve fitting 35°	2
02	423814	Clamp D22-32 - stainless steel	4
03	086546	Hose Spacer	2
04	559260	Hose MBP-12 W 3/4" x 960	2
05	081950	Protective hose W 1.1/2" x 350mm	2

Item	CODE	DESCRIPTION	Qty.

HOSE \AA 3/4" BSP X 600 FOR MACHINE WITHOUT SENSORFLOW

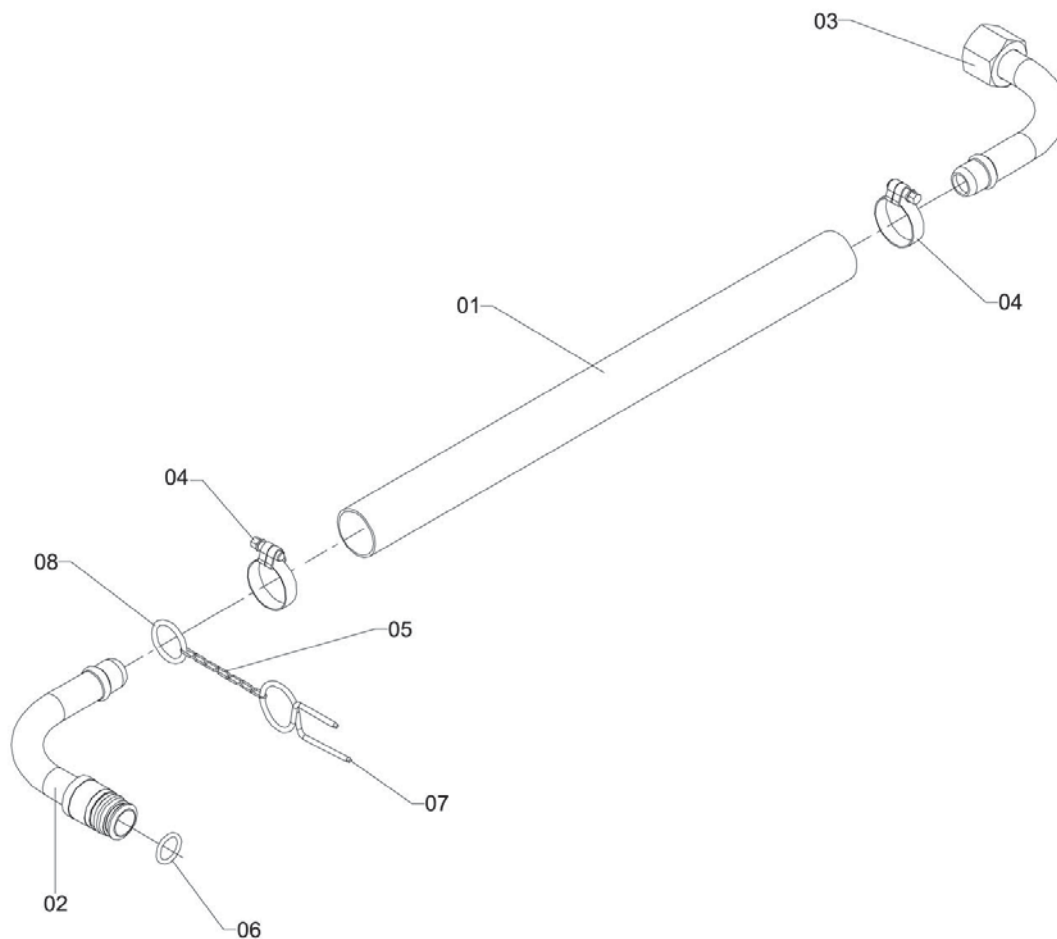


CD-863

Item	CODE	DESCRIPTION	Qty.
00	177238	Hose \AA 3/4" BSP x 600 for machine without Sensorflow	1
01	350090	Curve fitting 3/4" x 90°	1
02	567453	Quick fitting 3/4"	1
03	423814	Clamp D22-32 - stainless steel	4
04	437822	Chain 120 mm	1
05	440982	O-ring OR1-117	1
06	622969	Double ring \AA 22 x 26 x 3	2
07	636399	Quick fitting clamp	1
08	758490	Hose MBP -12 \AA 3/4" x 600	1

Item	CODE	DESCRIPTION	Qty.

FLEXIBLE

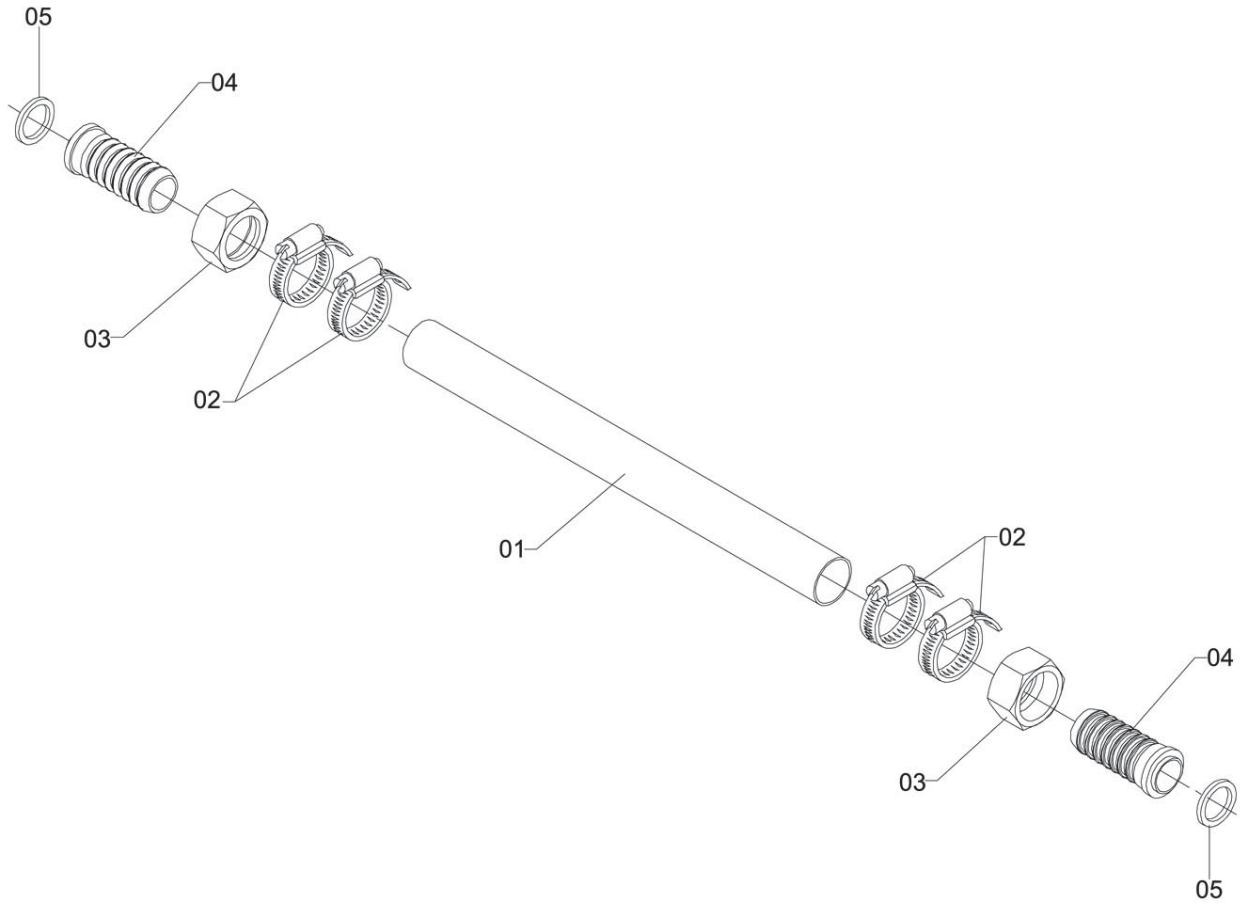


DF-183

Item	CODE	DESCRIPTION	Qty.
00	292284	Flexible	1
01	426833	Hose ω 19 (3/4") x 2900	1
02	423814	Clamp D22-32 - stainless steel	2
03	437822	Chain 120 mm	1
04	440982	O-ring OR1-117	1
05	622969	Double ring ω 22 x 26 x 3	2
06	636399	Quick fitting clamp	1
07	665752	Quick fitting 3/4"	1
08	752881	Elbow fitting 3/4"	1

Item	CODE	DESCRIPTION	Qty.

PRESSURE HOSE 1" BSP X 450

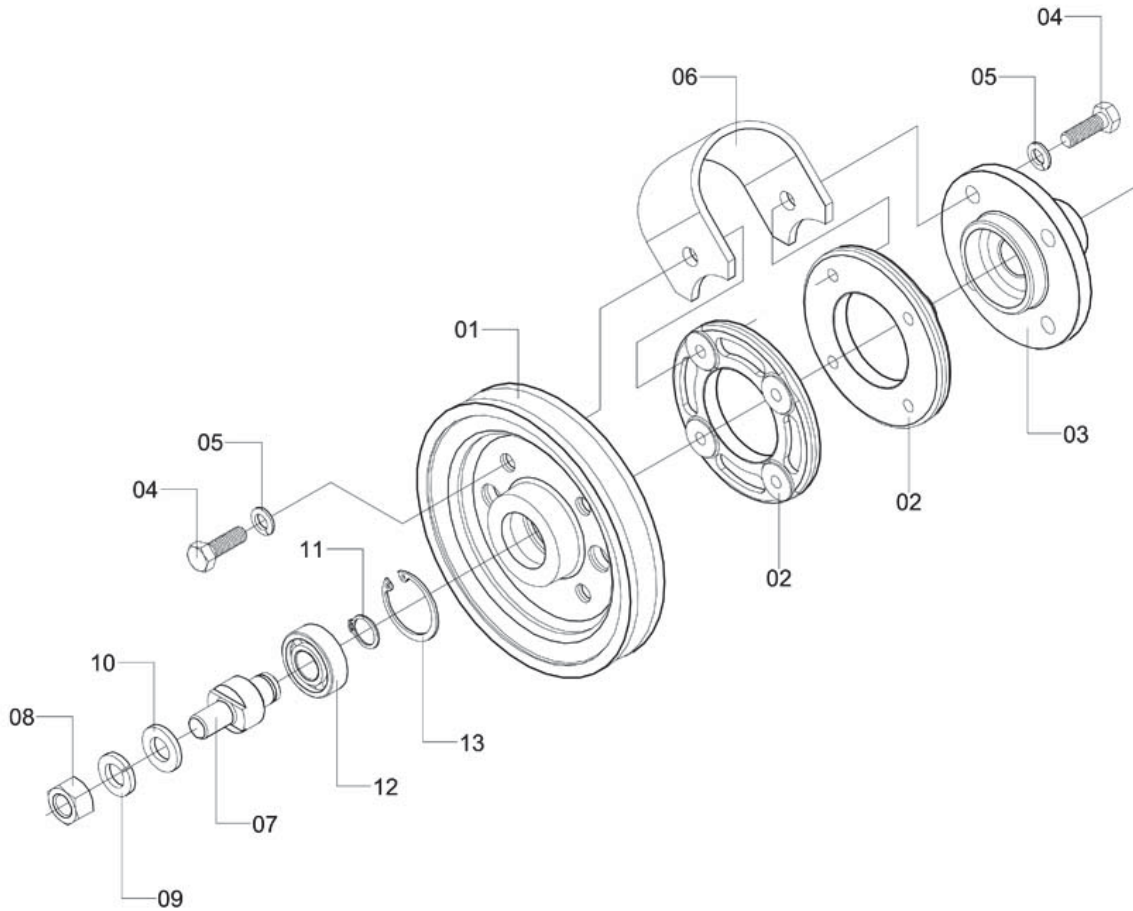


CD-255

Item	CODE	DESCRIPTION	Qty.
00	991059	Pressure hose 1" BSP x 450	1
01	991067	Hose \varnothing 1" x 385	1
02	330969	Clamp D25-38 - stainless steel	4
03	405753	Hex. nut 1" - 11 BSP	2
04	819540	Hose fitting 1"	2
05	402412	Lock washer 31 x 22.5 x 22.5/3.0	2

Item	CODE	DESCRIPTION	Qty.

FLEXIBLE COUPLING 9

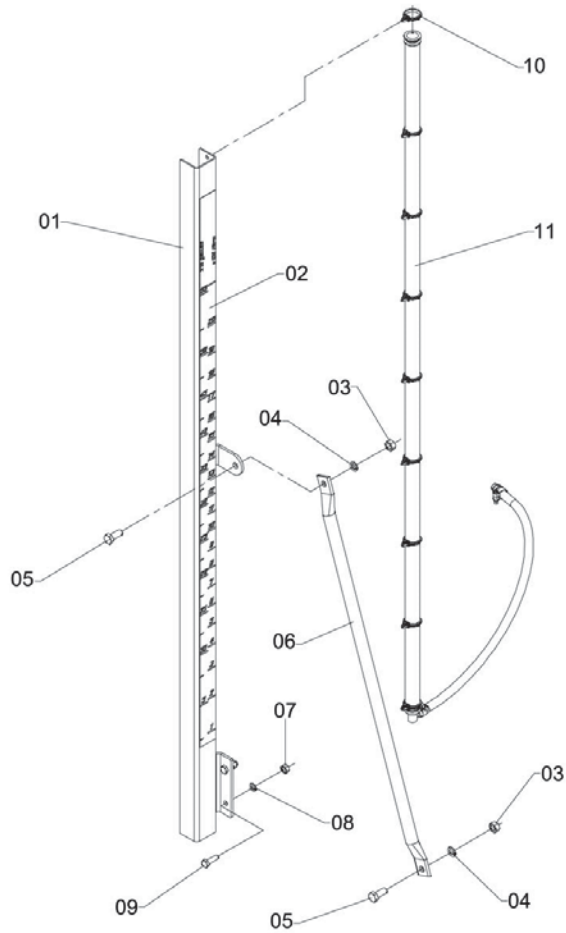


LE-12

Item	CODE	DESCRIPTION	Qty.
00	727925	Flexible coupling 9	1
01	727917	Pulley ω 146-1A	1
02	326462	Ring	2
03	326470	Hub ω 19	1
04	836502	Screw 5/16" - 18 UNC x 1"	8
05	519736	Lock washer ω	8
06	326447	Flexible link 125	4
07	817627	Tightening pulley shaft 15 x 50.5	1
08	912790	Hex. nut 1/2" - 13 UNC	1
09	908582	Lock washer 1/2"	1
10	818112	Flat washer 130 x 240 x 30	1
11	910851	Snap ring for shaft 15	1
12	328781	Fixed bearing	1
13	517557	Snap ring for hole	1

Item	CODE	DESCRIPTION	Qty.

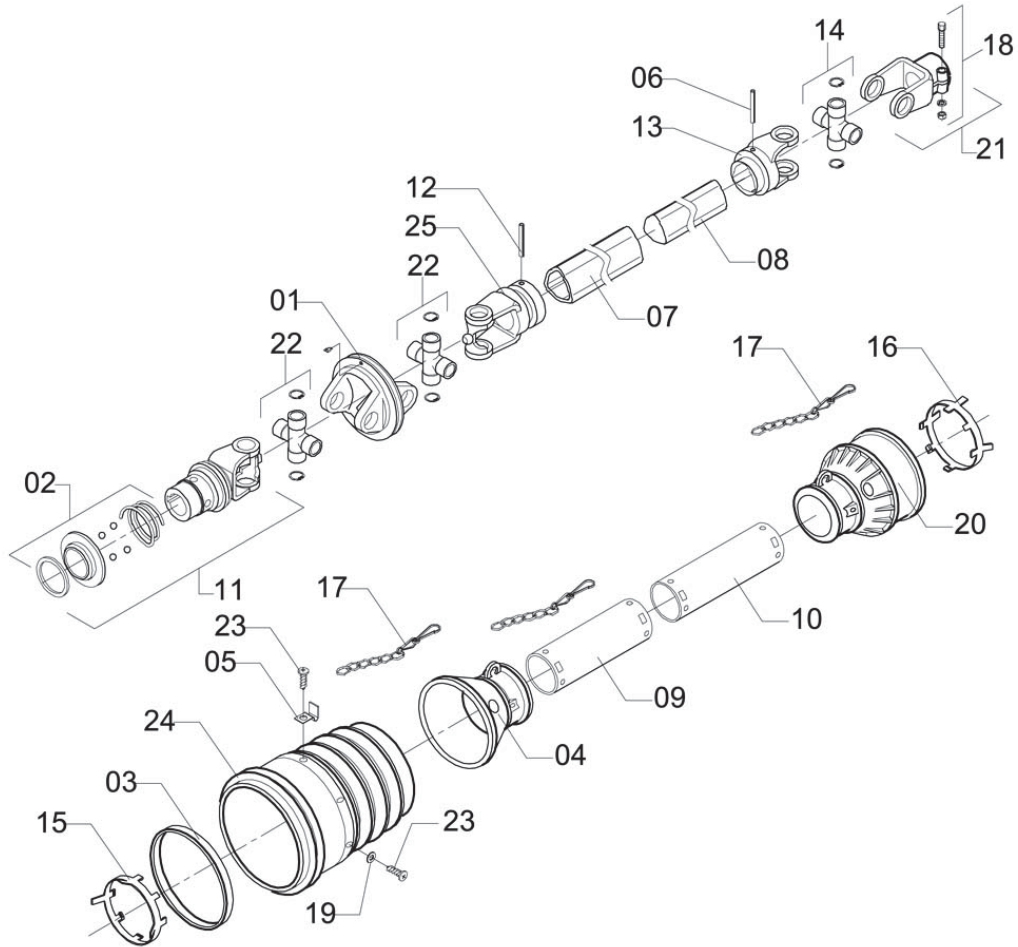
LEVEL INDICATOR



MN-77

Item	CODE	DESCRIPTION	Qty.	Item	CODE	DESCRIPTION	Qty.
00	299701	Level indicator	1				
01	251736	Level indicator body	1				
02	1157162	Decal "Level Indicator Scale"	1				
03	907030	Hex. nut M10 x 1.25	2				
04	209395	Lock washer M10	2				
05	168070	Hex. head bolt M 10 x 25 x 1,25	2				
06	428201	Angle brace 723	1				
07	810770	Hex. nut M8 x 1.25	2				
08	519736	Lock washer w	2				
09	829382	Hex head bolt M8 x 25 x 1.25	2				
10	546598	Hose clip w 22/25	9				

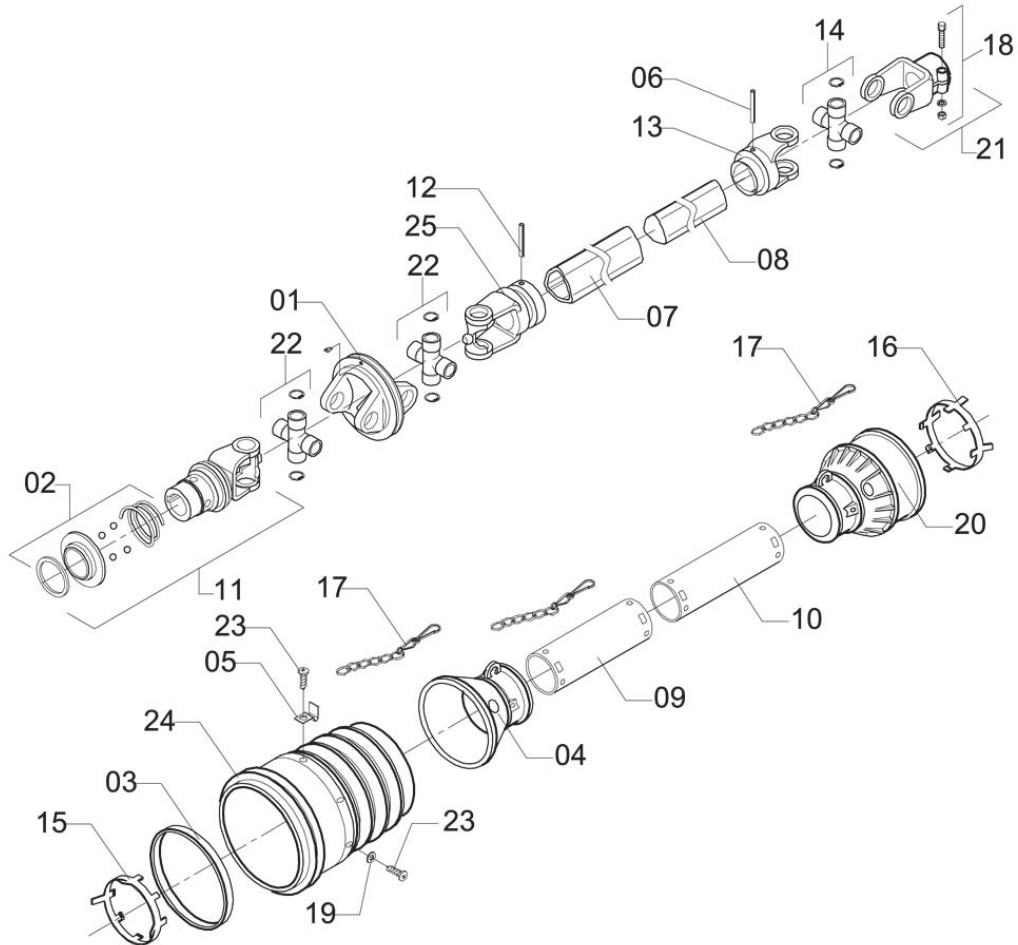
PTO SHAFT 710 (Z= 6 X Ш 35)



CN-27

Item	CODE	DESCRIPTION	Qty.	Item	CODE	DESCRIPTION	Qty.
00	238113	PTO shaft 710 (z= 6 x ш 35)	1				
01	008839	Central body	1				
02	585414	PTO end blocking kit - 6 grooves	1				
03	169292	Cross guard lock	1				
04	169326	Intermediate guard (tractor end)	1				
05	169334	PTO shaft chain hook	1				
06	227173	Flexible pin 10 x 65	1				
07	640730	Female tube	1				
08	640748	Male tube	1				
09	640755	Shield (female tube)	1				
10	640763	Shield (male tube)	1				
11	399550	Coupling end - PTO end (1.3/8"Z=6)	1				
12	456970	Flexible pin	1				
13	457010	Male tube coupling end	1				
14	457028	Cross	1				
15	457069	Shield lock	1				
16	457119	Shield lock	1				
17	457127	Chain	3				
18	457192	Bolt and nut	1				
19	501692	Flat washer 52 x 120 x 12	5				
20	572321	Cross shield (sprayer end)	1				
21	640623	Coupling end (sprayer end)	1				
22	681676	Cross assembly	2				
23	856229	Self-tapping bolt with slot PH. 4.8 x 22	6				
24	876789	Central body guard - tractor end	1				
25	876797	Female tube end	1				

WIDE ANGLE CV PTO SHAFT - 1110 Z= 8 X Ш 35

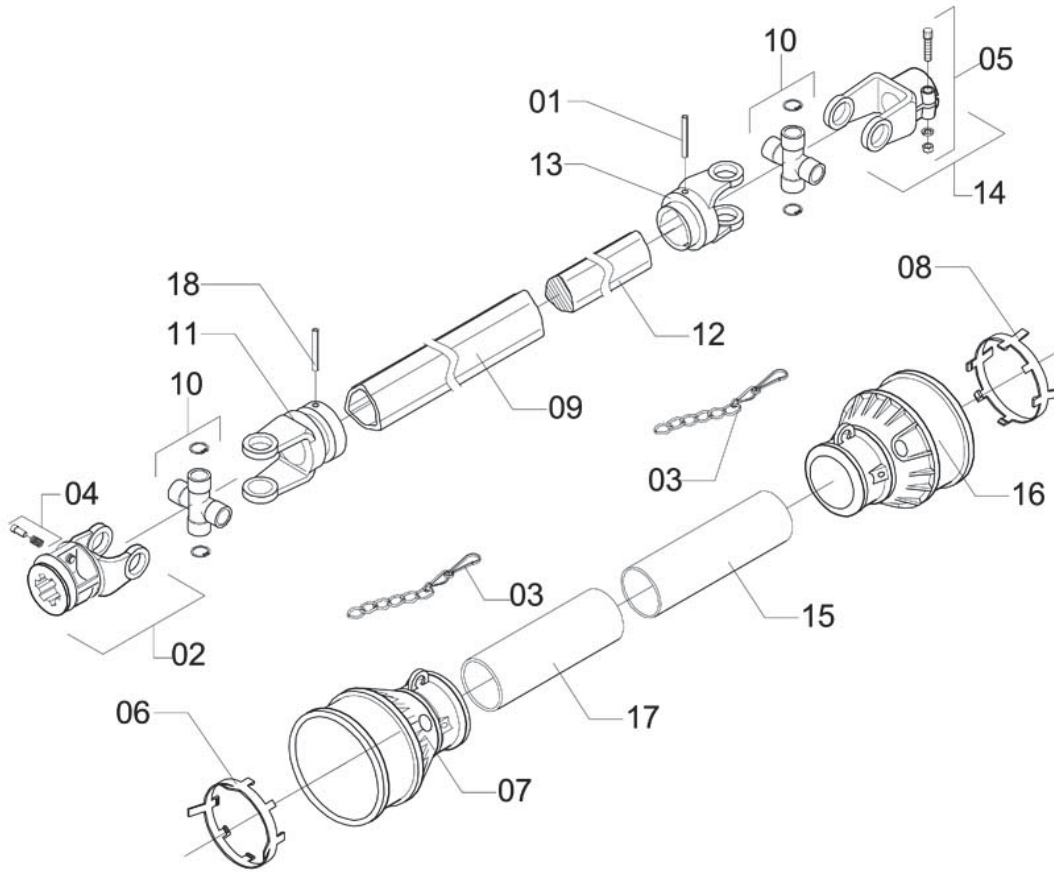


CN-27

Item	CODE	DESCRIPTION	Qty.	Item	CODE	DESCRIPTION	Qty.
00	808907	Wide angle CV PTO shaft - 1110 Z= 8 x ш 35	1				
01	008839	Central body	1				
02	020388	PTO end blocking kit - 8 grooves	1				
03	169292	Cross guard lock	1				
04	169326	Intermediate guard (tractor end)	1				
05	169334	PTO shaft chain hook	1				
06	227173	Flexible pin 10 x 65	1				
07	320978	Female tube 1R6 L1285	1				
08	320986	Male tubo L1275	1				
09	320994	Protective tube	1				
10	321000	Cut shield female tube	1				
11	411223	PTO side end Z=8	1				
12	456970	Flexible pin	1				
13	457010	Male tube coupling end	1				
14	457028	Cross	1				
15	457069	Shield lock	1				
16	457119	Shield lock	1				
17	457127	Chain	3				
18	457192	Bolt and nut	1				
19	501692	Flat washer 52 x 120 x 12	5				
20	572321	Cross shield (sprayer end)	1				
21	640623	Coupling end (sprayer end)	1				
22	681676	Cross assembly	2				
23	856229	Self-tapping bolt with slot PH. 4.8 x 22	6				
24	876789	Central body guard - tractor end	1				
25	876797	Female tube end	1				

Controlled copy – Distribution and reproduction prohibited

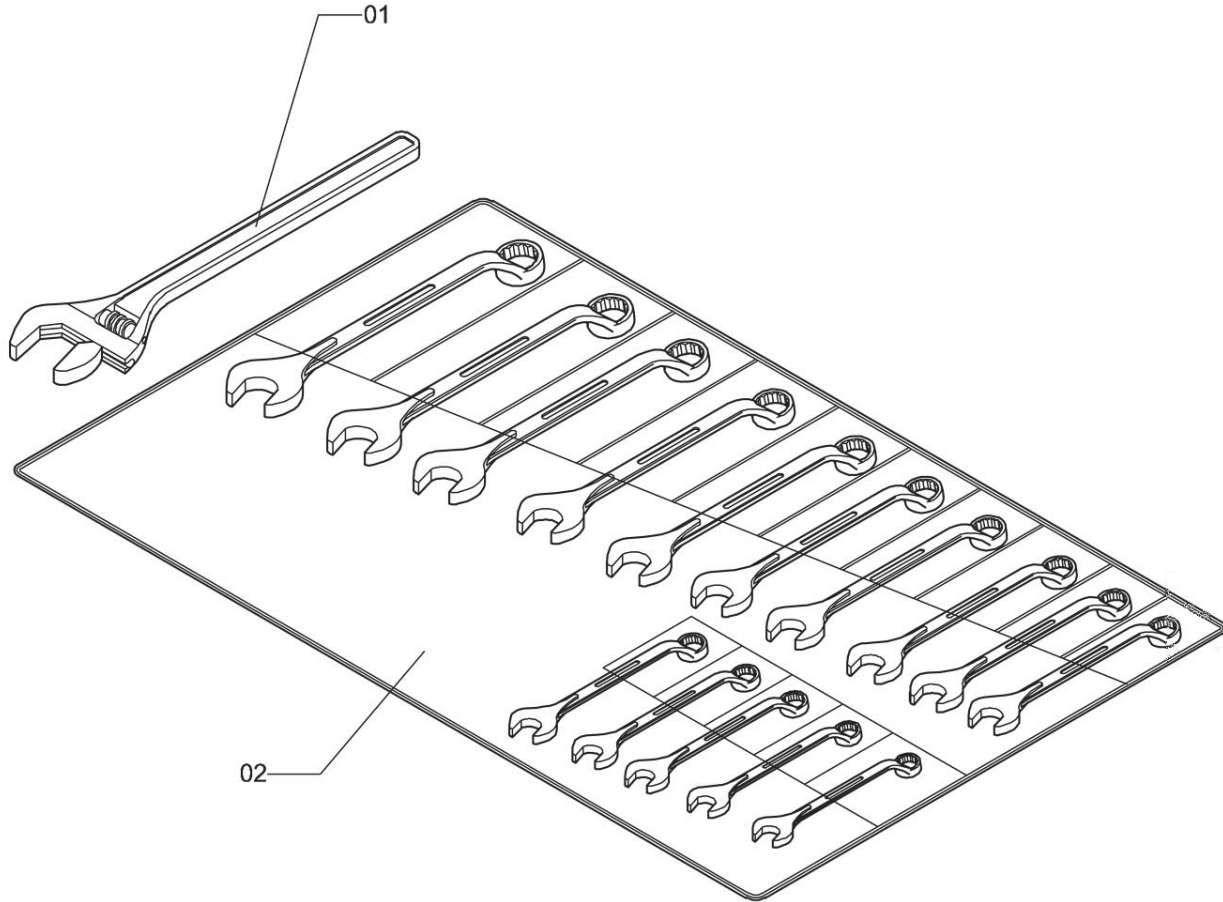
PTO SHAFT



CN-30

Item	CODE	DESCRIPTION	Qty.	Item	CODE	DESCRIPTION	Qty.
00	764928	PTO shaft	1				
01	227173	Flexible pin 10 x 65	1				
02	959808	Coupling end with lock - tractor end (1.3/8"Z=6)	1				
03	457127	Chain	2				
04	457176	Lock with spring	1				
05	457192	Bolt and nut	1				
06	457069	Shield lock	1				
07	959824	Cross guard (TDF SIDE)	1				
08	457119	Shield lock	1				
09	663716	Female tube 645	1				
10	457028	Cross	2				
11	959816	Female tube end	1				
12	595421	Male tube 645	1				
13	457010	Male tube coupling end	1				
14	640623	Coupling end (sprayer end)	1				
15	664896	Guard - male tube 586	1				
16	572321	Cross shield (sprayer end)	1				
17	664797	Guard - female tube 586	1				
18	456970	Flexible pin	1				

ASSEMBLY - COMBINATION WRENCH + SCREW WRENCH (FOR EXPORT)

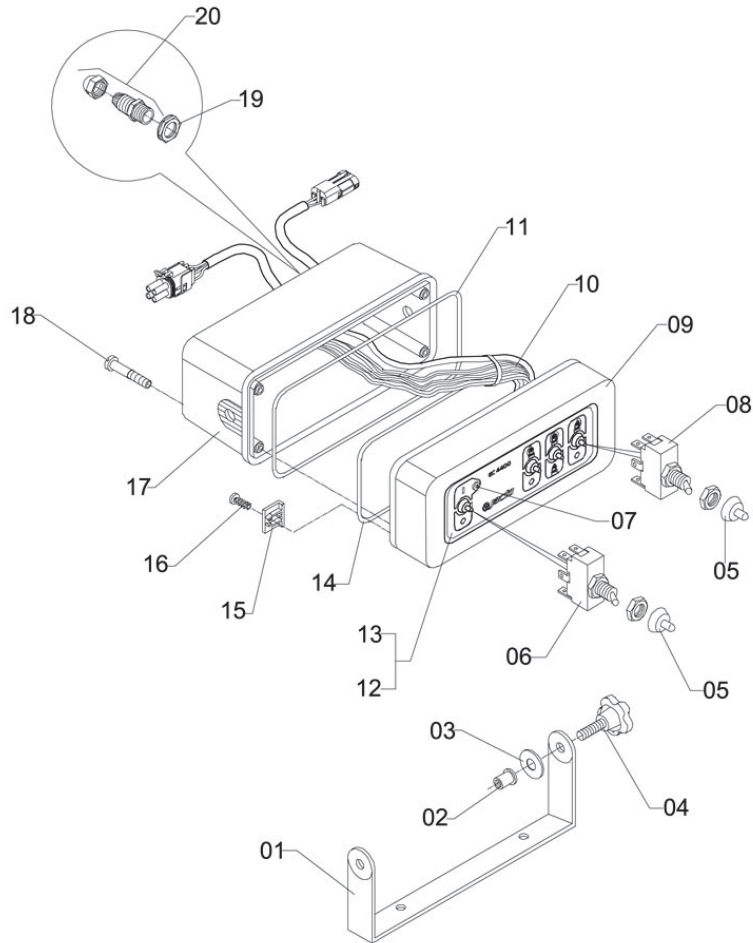


CXA-140

Item	CODE	DESCRIPTION	Qty.
00	489211	Assembly - combination wrench + screw wrench (for export)	1
01	489260	Screw wrench 18" (for export)	1
02	489229	Combined wrench kit "ROBUST" (for export)	1

Item	CODE	DESCRIPTION	Qty.

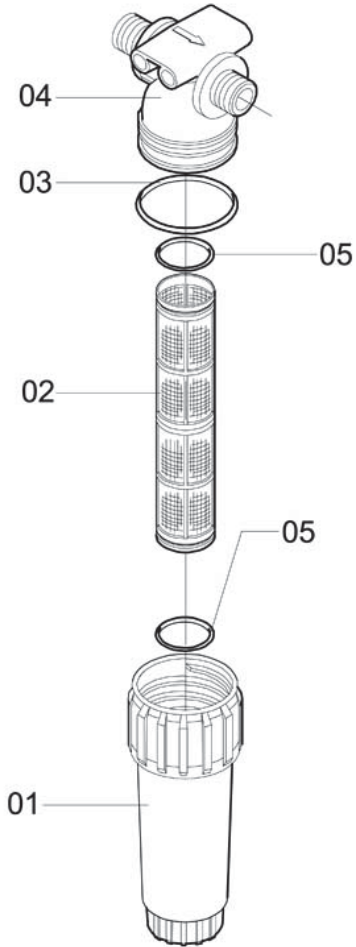
ELECTRIC PANEL EC-4400



CE-405

Item	CODE	DESCRIPTION	Qty.	Item	CODE	DESCRIPTION	Qty.
00	1190054	Electric Panel EC-4400	1				
01	091405	Small U support	1				
02	972018	Threaded rubber bushing	2				
03	973388	Rubber washer 31	2				
04	971994	Thermoplastic knob	2				
05	437194	Protective cap	4				
06	953504	Round metallic key	2				
07	196295	Led	1				
08	437178	Double-throw switch with nut	2				
09	972711	Upper panel	1				
10	1190049	Internal Cable EC-4400	1				
12	1188987	Panel Sticker " EC-4400"	1				
13	181057	Aluminium base	1				
14	910002896	Silicone round tube 4,8 x 0,9	1				
15	878611	Fastening claw	12				
16	849331	Screw PH 3.5 x 12	12				
17	972729	Lower panel	1				
18	878769	Screw 3.5 x 20	4				
19	077008	Cable press	2				
20	592147	Plastic nut for cable press PG9	2				

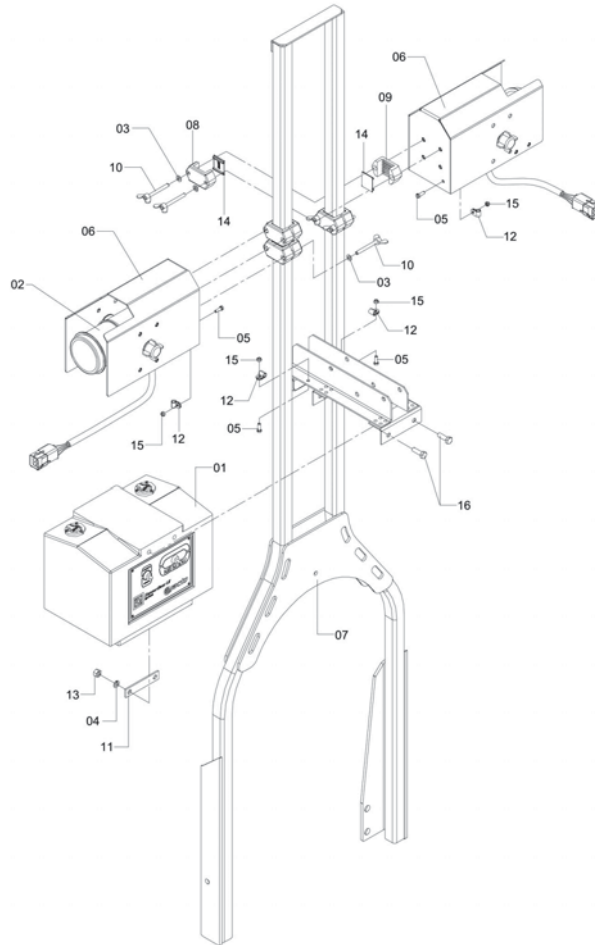
50 MESH IN-LINE FILTER



F-43

Item	CODE	DESCRIPTION	Qty.	Item	CODE	DESCRIPTION	Qty.
00	781863	50 mesh in-line filter	1				
01	158105	Filter body	1				
02	303214	Filtering element - 50 mesh	1				
03	977306	O-ring OR1-227	1				
04	873430	In-line filter body	1				
05	881839	O-ring OR2-124	2				

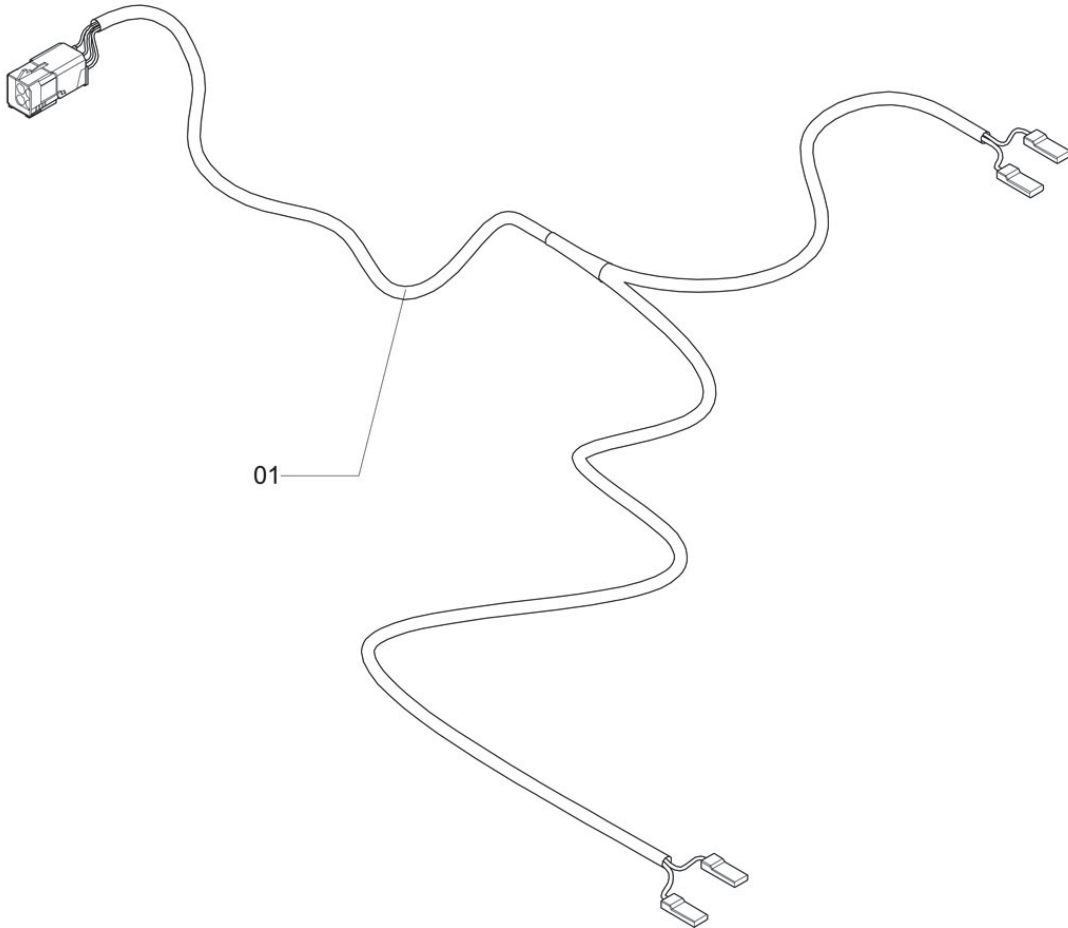
SENSOR HOUSING



CE-383

Item	CODE	DESCRIPTION	Qty.	Item	CODE	DESCRIPTION	Qty.
00	278499	Sensor housing	1				
02	390740	Tree sensor VII	2				
03	050195	Flat washer 64 x 125 x 95 - stainless steel	8				
04	519736	Lock washer w	4				
05	728253	Screw M5 x 15 x 0.8	4				
06	758318	Sensor support	2				
07	252585	Sensor housing support	1				
08	762658	Adjustable guide I	4				
09	762666	Adjustable guide II	4				
10	765487	Thumbscrew M6 x 55 x 1.00	8				
11	771238	Reinforcement	2				
12	781500	Clamp	4				
13	810770	Hex. nut M8 x 1.25	4				
14	270926	Spacer	8				
15	564971	Nut M-5 x 0.8	4				
16	829382	Hex head bolt M8 x 25 x 1.25	4				

CONNECTION CABLE

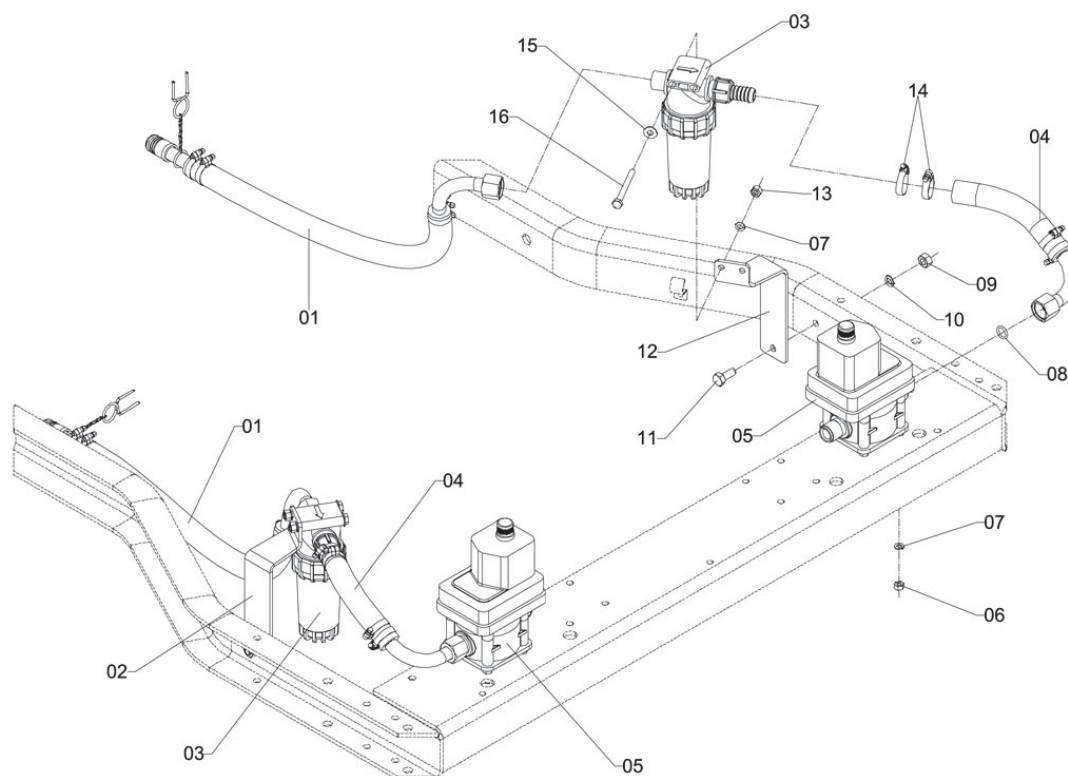


CE-400

Item	CODE	DESCRIPTION	Qty.
00	1189274	Connection cable	1
01	1189274	Connection cable	1

Item	CODE	DESCRIPTION	Qty.

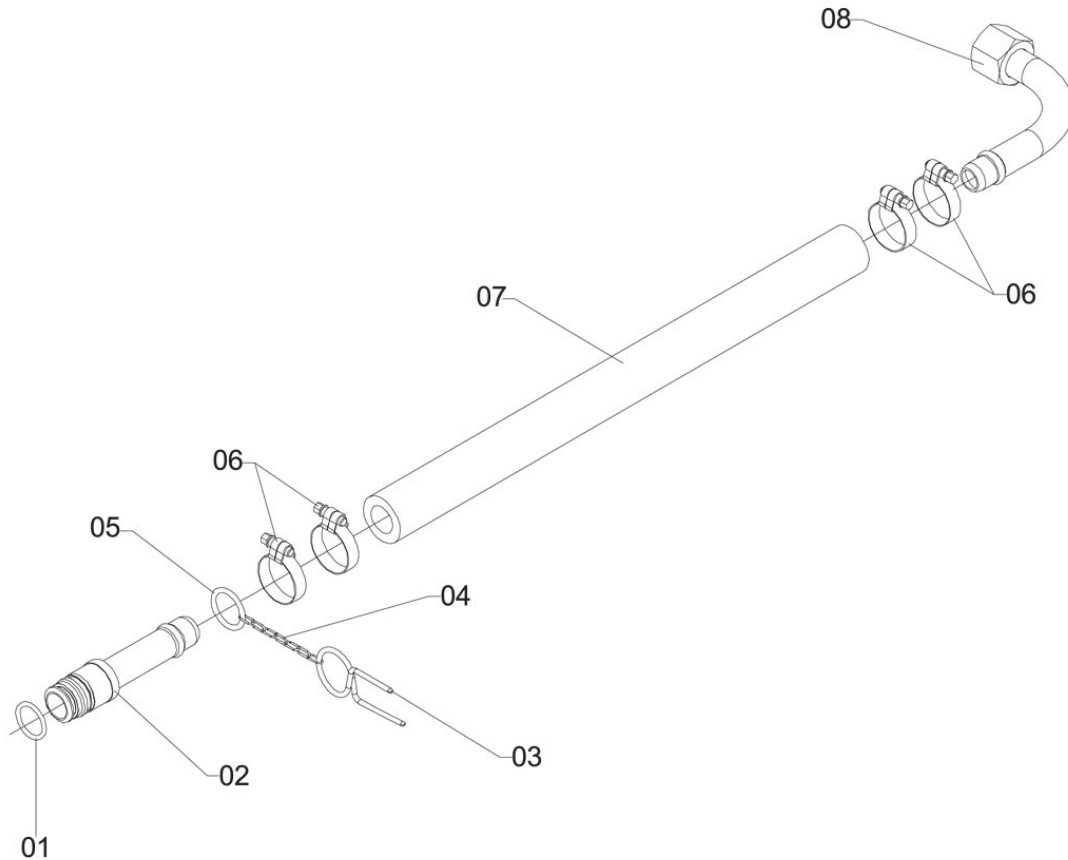
ELECTRIC MODULE



CE-402

Item	CODE	DESCRIPTION	Qty.	Item	CODE	DESCRIPTION	Qty.
00	1189304	Electric module	1				
01	1189272	Flexible 3/4 x 370 with Coupling end 90e x 0e ER.	2				
02	1188294	Left side filter support	1				
03	748201	50 mesh in-line filter	2				
04	1189284	Flexible 3/4 x 190 with Coupling end 90e	2				
05	356212	Electric valve	2				
06	912758	Hex. nut 5/16" - 18 UNC	8				
07	519736	Lock washer 3/8	12				
08	322057	O-ring ORI-114	2				
09	209205	Hex. nut M10 x 1,50	2				
10	209395	Lock washer M10	2				
11	829408	Bolt M-10 x 25 x 1.50 - CL. 8.8	2				
12	1188403	Right side filter support	1				
13	810770	Hex. nut M8 x 1.25	4				
14	423814	Clamp D22-32 - stainless steel	4				
15	881276	Flat washer 3/8 x 20 x 1.2 - stainless steel	4				
16	358218	Hex. bolt M8 x 80 x 1.25	4				

FLEXIBLE ω 3/4 X 370 WITH COUPLING END 90 ϵ X 0 ϵ ER.

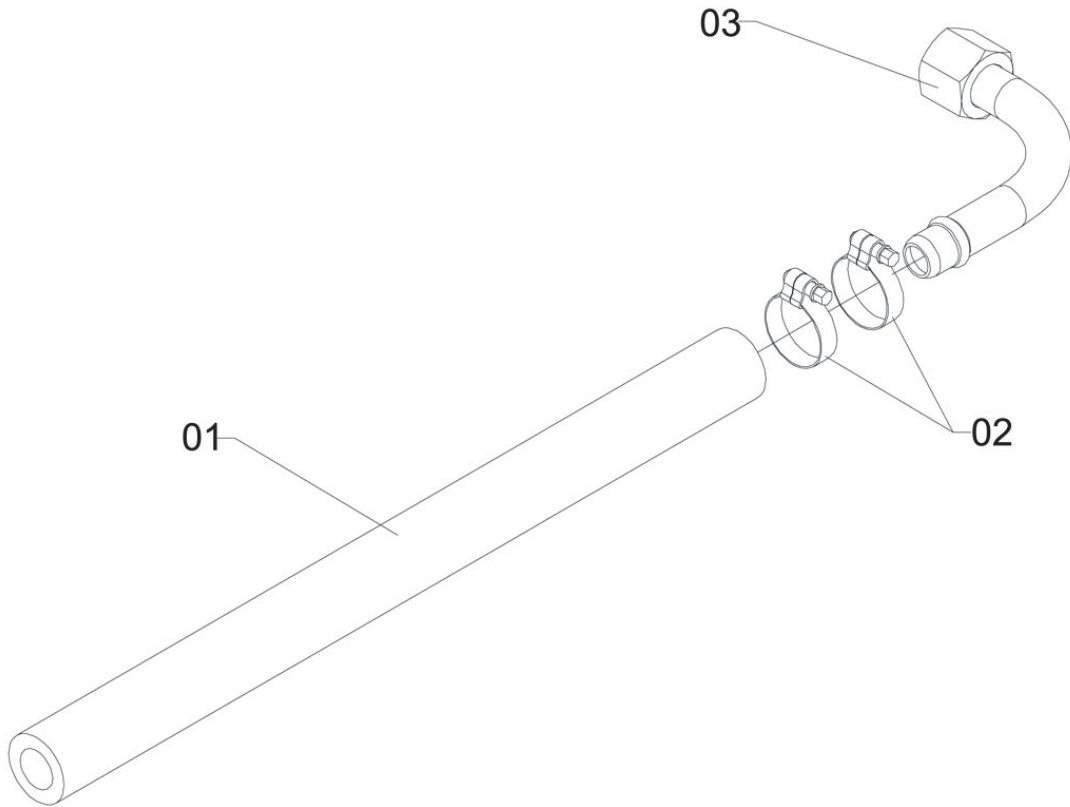


CD-863

Item	CODE	DESCRIPTION	Qty.
00	1189272	Flexible ω 3/4 x 370 with Coupling end 90 ϵ x 0 ϵ ER.	1
01	531806	O-ring OR1-117	1
02	567453	Quick fitting 3/4"	1
03	636399	Quick fitting clamp	1
04	437822	Chain 120 mm	1
05	622969	Double ring ω 22 x 26 x 3	1
06	423814	Clamp D22-32 - stainless steel	4
07	1189266	Hydraulic hose without Coupling end SAE J517 100R3 - 12 370	1
08	566943	Fitting 3/4' x 90 ϵ '	1

Item	CODE	DESCRIPTION	Qty.

FLEXIBLE 3/4 X 190 WITH COUPLING END 90°

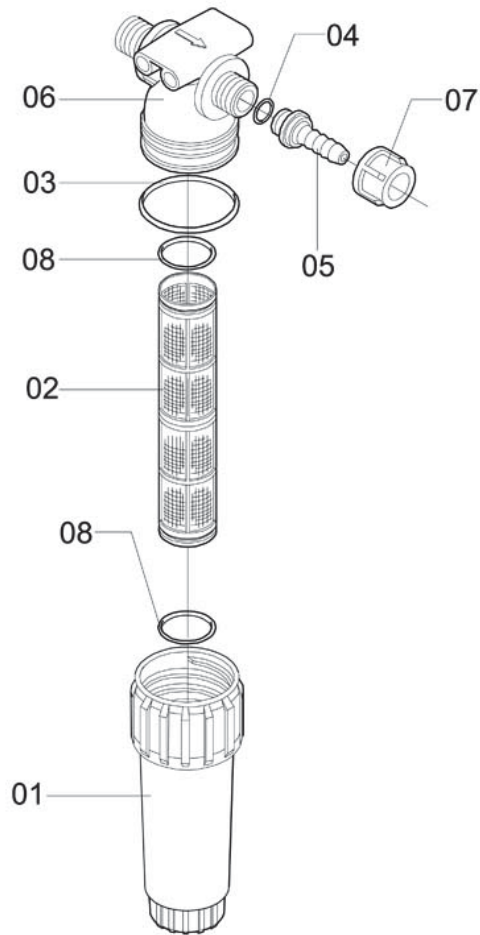


CD-843

Item	CODE	DESCRIPTION	Qty.
00	1189284	Flexible 3/4 x 190 with Coupling end 90°	1
01	1189280	Hydraulic Hose without Coupling end SAE J517 100R3 - 12 190	1
02	423814	Clamp D22-32 - stainless steel	2
03	566943	Fitting 3/4' x 90°	1

Item	CODE	DESCRIPTION	Qty.

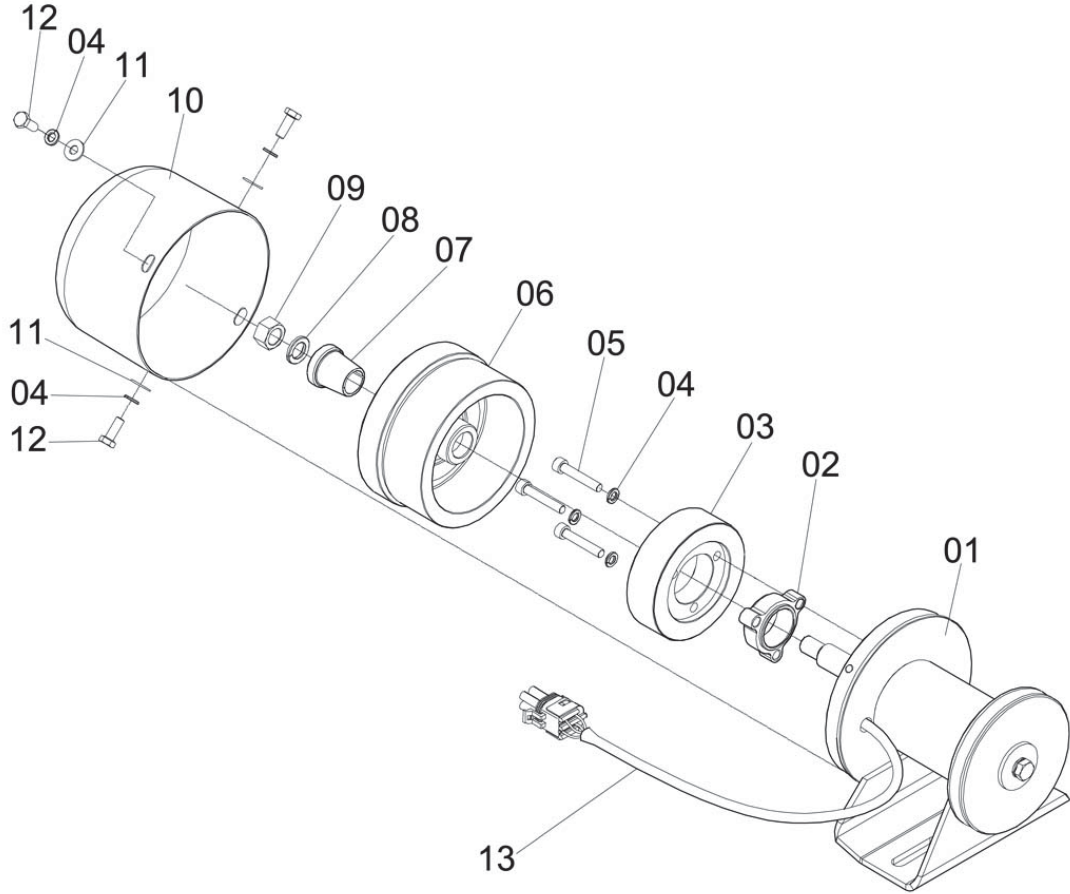
50 MESH IN-LINE FILTER



F-42

Item	CODE	DESCRIPTION	Qty.	Item	CODE	DESCRIPTION	Qty.
00	748201	50 mesh in-line filter	1				
01	158105	Filter body	1				
02	303214	Filtering element - 50 mesh	1				
03	977306	O-ring OR1-227	1				
04	322057	O-ring ORI-114	1				
05	867093	Fitting 3/4" with flange 23.6	1				
06	873430	In-line filter body	1				
07	874339	In-line filter nut	1				
08	881839	O-ring OR2-124	2				

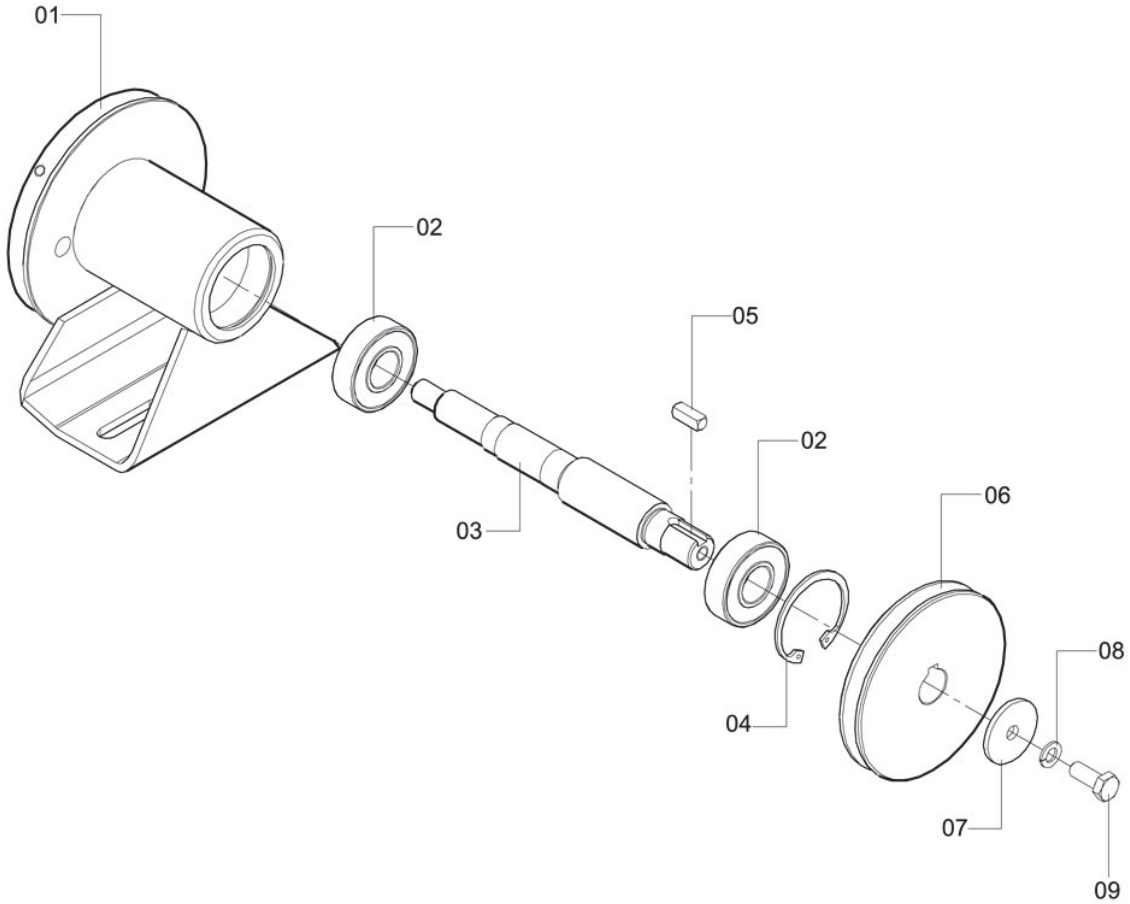
POWER GENERATOR - V



CE-337

Item	CODE	DESCRIPTION	Qty.	Item	CODE	DESCRIPTION	Qty.
00	1160236	Power generator - V	1				
01	1160240	Tension generator bearing assembly	1				
02	527134	Spacer bushing	1				
03	1160117	Assembly Stator 12P	1				
04	521666	Lock washer ω 5 - stainless steel	7				
05	544767	Round head screw - int. hex. M6 x 35	3				
06	1160118	Assembly rotor 12P	1				
07	528744	Bushing	1				
08	209163	Lock washer M12	1				
09	443846	Hex. nut M 12 x 1.25	1				
10	1159026	Aluminium protection	1				
11	501460	Flat washer 65 x 150 x 12	4				
12	829507	Hex. head bolt M6 x 1 x 16 CL8.8	4				
13	278002	Tension generator cable "III"	1				

TENSION GENERATOR BEARING ASSEMBLY

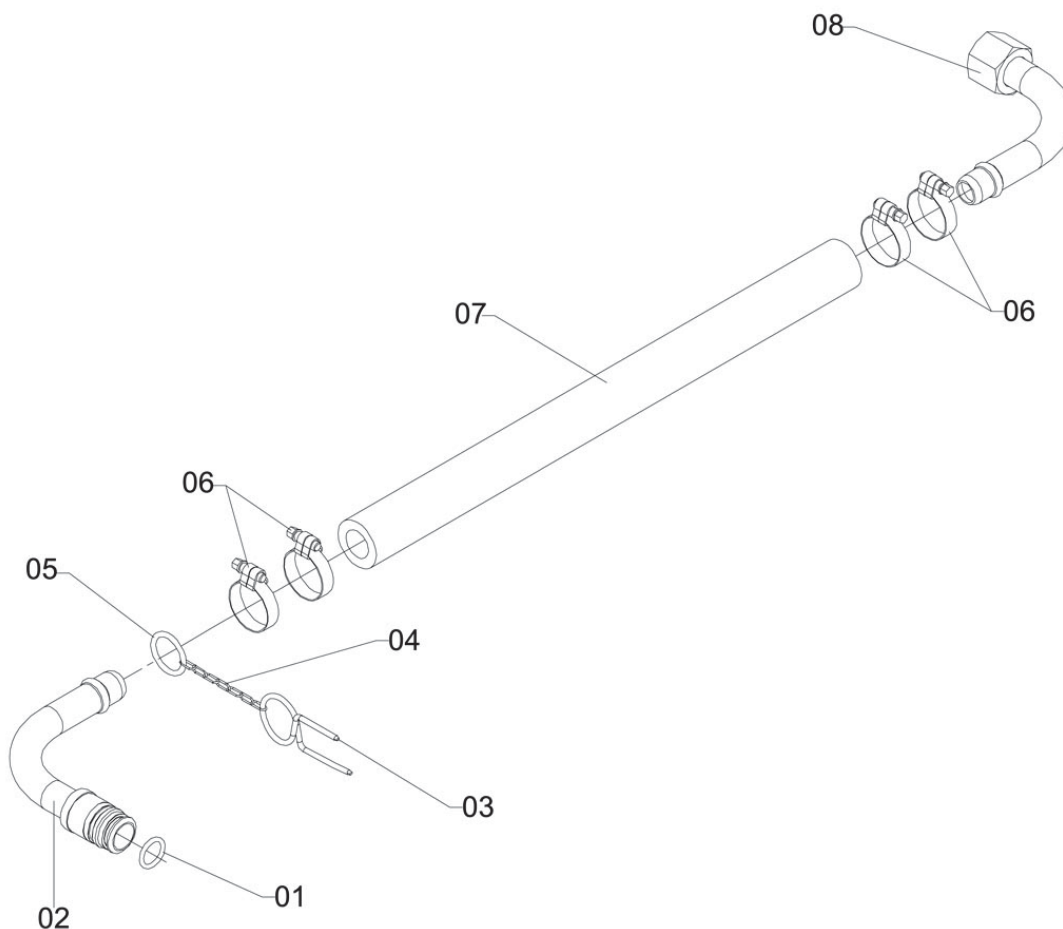


CE-338

Item	CODE	DESCRIPTION	Qty.
00	1160240	Tension generator bearing assembly	1
01	1155662	Generator bearing	1
02	901389	Fixed bearing no. 6204 DDU	2
03	525419	Shaft	1
04	901371	Snap ring for hole ω 47	1
05	564898	Square key 1/4" x 18.5	1
06	1170742	Generator pulley ω 110	1
07	420281	Flat washer ω 8,2 x ω 35 x 3	1
08	519736	Lock washer ω	1
09	829374	Hex. head bolt M8 x 20 x 1.25 -cl 8.8	1

Item	CODE	DESCRIPTION	Qty.

FLEXIBLE HOSE - \varnothing 3/4 X 740 WITH QUICK FITTING END

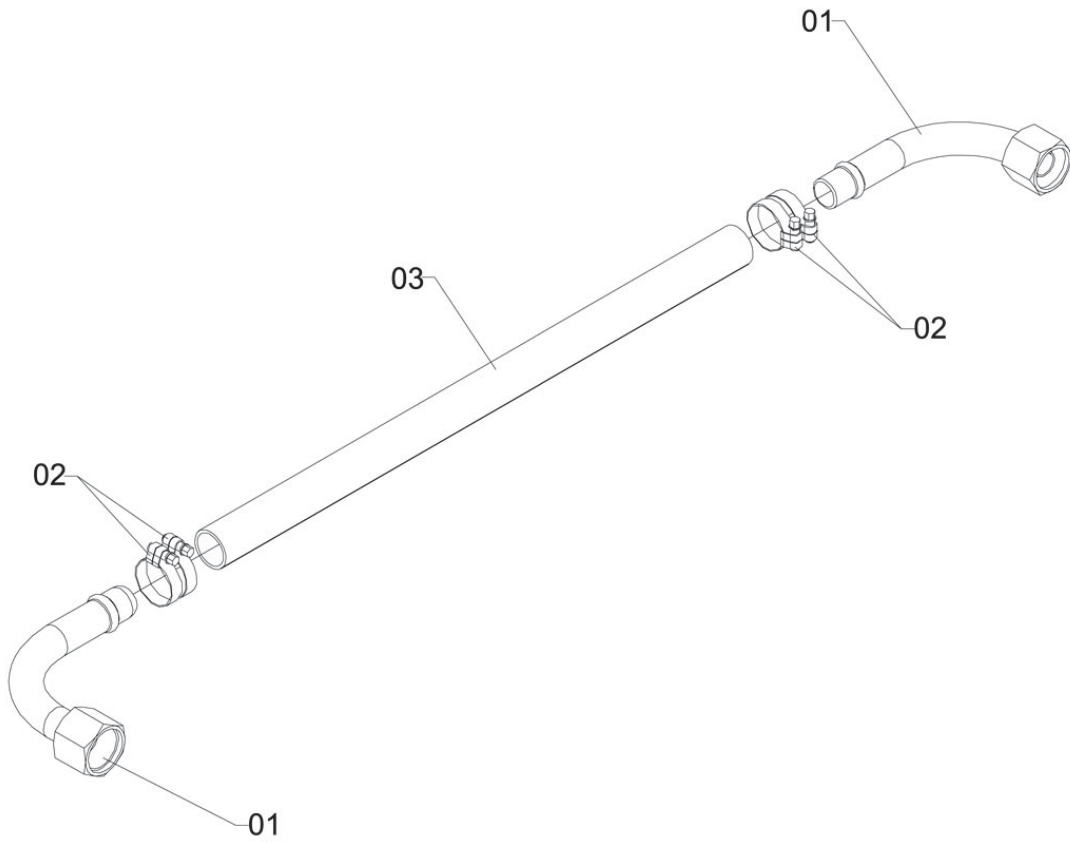


CD-861

Item	CODE	DESCRIPTION	Qty.
00	1190069	Flexible hose - \varnothing 3/4 x 740 with quick fitting end	1
01	531806	O-ring OR1-117	1
02	665752	Quick fitting 3/4"	1
03	636399	Quick fitting clamp	1
04	437822	Chain 120 mm	1
05	622969	Double ring \varnothing 22 x 26 x 3	1
06	423814	Clamp D22-32 - stainless steel	4
07	727800	Hose 3/4" x 560	1
08	566943	Fitting 3/4" x 90°	1

Item	CODE	DESCRIPTION	Qty.

FLEXIBLE HOSE - Ш 3/4 X 360 WITH 90° END

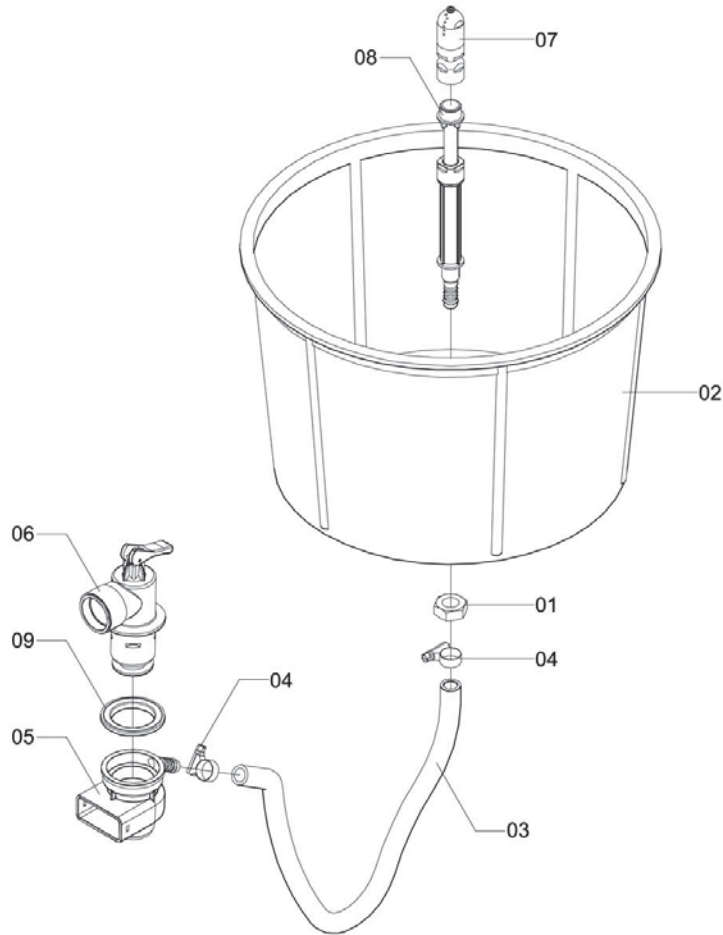


CD-842

Item	CODE	DESCRIPTION	Qty.
00	1190071	Flexible hose - ш 3/4 x 360 with 90° end	1
01	566943	Fitting 3/4" x 90°	2
02	423814	Clamp D22-32 - stainless steel	4
03	1190070	Hydraulic hose without ends - SAE J517 100R3 - 12 360	1

Item	CODE	DESCRIPTION	Qty.

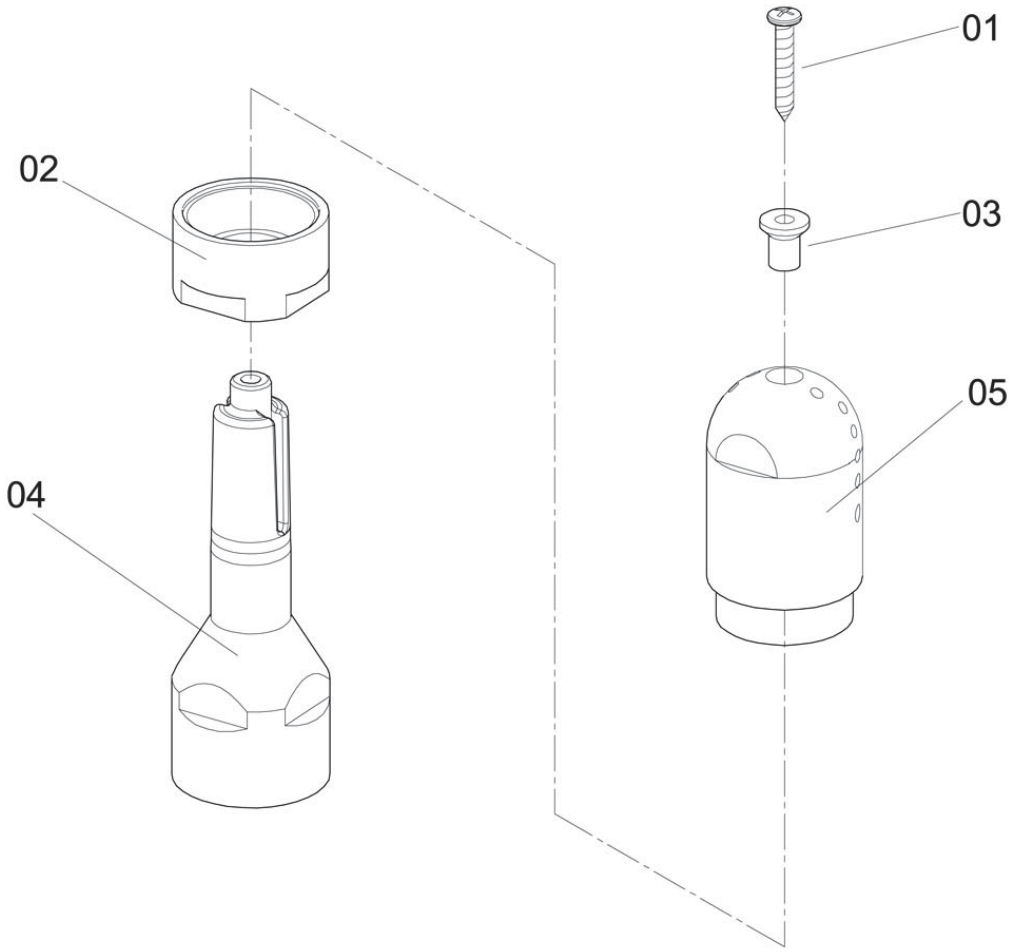
CHEMICAL CONTAINER RINSE NOZZLE KIT



KIT-24

Item	CODE	DESCRIPTION	Qty.	Item	CODE	DESCRIPTION	Qty.
00	134239	Chemical container rinse nozzle kit	1				
01	938498	Hex. nut M16 x 2.00	1				
02	134007	Strainer	1				
03	071886	Hose 12.7 (1/2") x 600	1				
04	107664	Clamp D14-22 - stainless steel	2				
05	054411	Valve fastener	1				
06	054395	Directional valve	1				
07	071944	Chemical container rinse nozzle	1				
08	088237	Chemical container rinse nozzle rod	1				
09	088245	Packing ring	1				

CHEMICAL CONTAINER RINSE NOZZLE

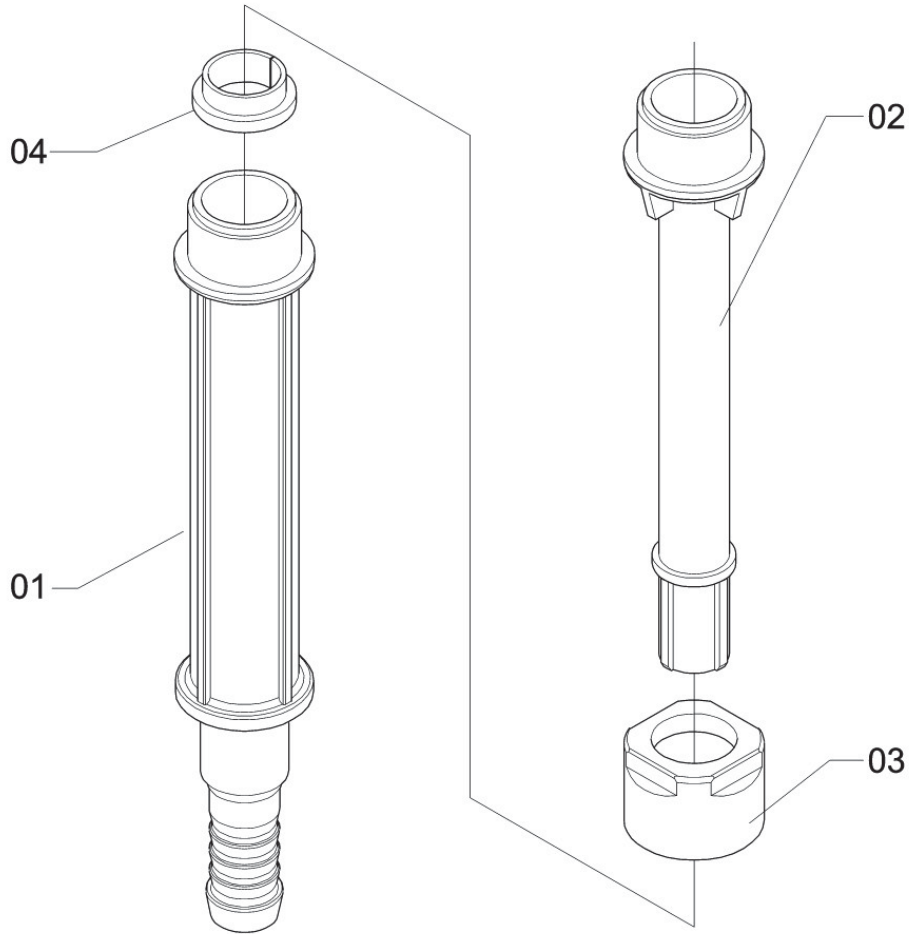


KIT-75

Item	CODE	DESCRIPTION	Qty.
00	071944	Chemical container rinse nozzle	1
01	997197	Screw 3.0 x 16	1
02	059055	Nozzle nut	1
03	061119	Bushing	1
04	058909	Nozzle core	1
05	060426	Nozzle body	1

Item	CODE	DESCRIPTION	Qty.

CHEMICAL CONTAINER RINSE NOZZLE ROD

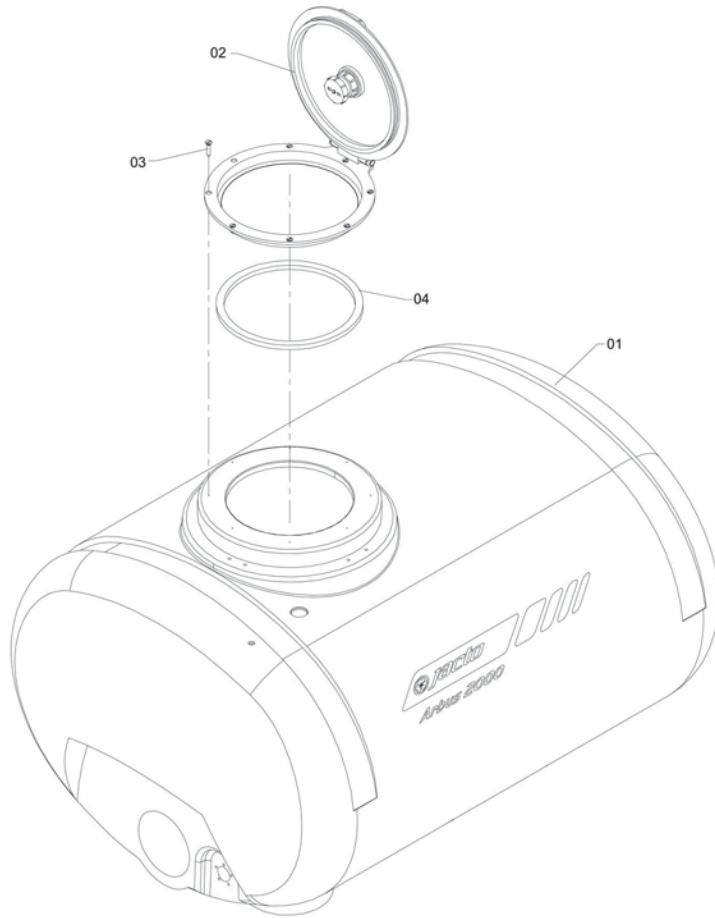


KIT-76

Item	CODE	DESCRIPTION	Qty.
00	088237	Chemical container rinse nozzle rod	1
01	058834	Nozzle rod	1
02	083907	Rod extension	1
03	087882	Extension nut	1
04	134221	Lock ring	1

Item	CODE	DESCRIPTION	Qty.

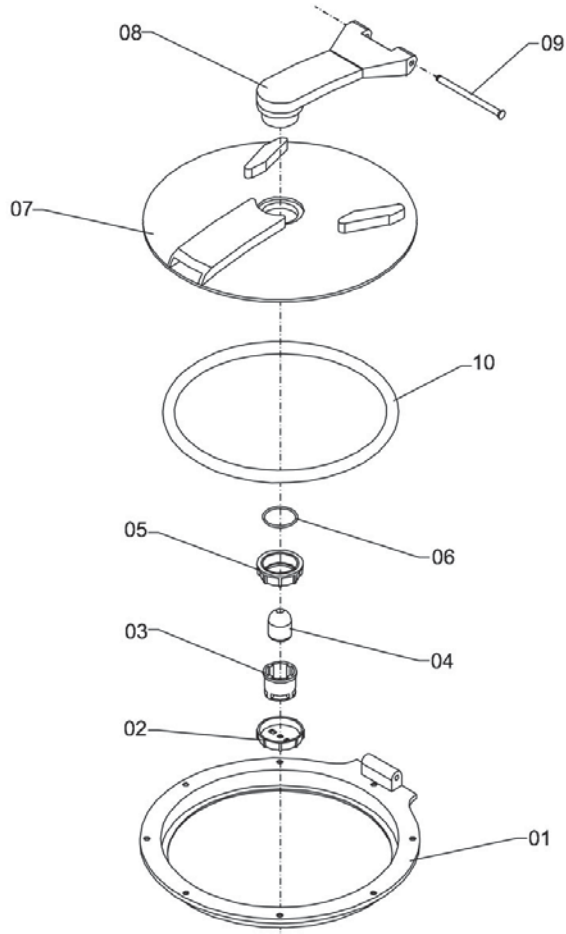
TANK 2000-LITER



D-187

Item	CODE	DESCRIPTION	Qty.	Item	CODE	DESCRIPTION	Qty.
00	1182815	Tank 2000-Liter	1				
01	1182812	Tank 2000-Liter	1				
02	752949	Italian lid	1				
03	062968	Self-tapping screw with slot	8				
04	068014	Lid packing ARAG	1				

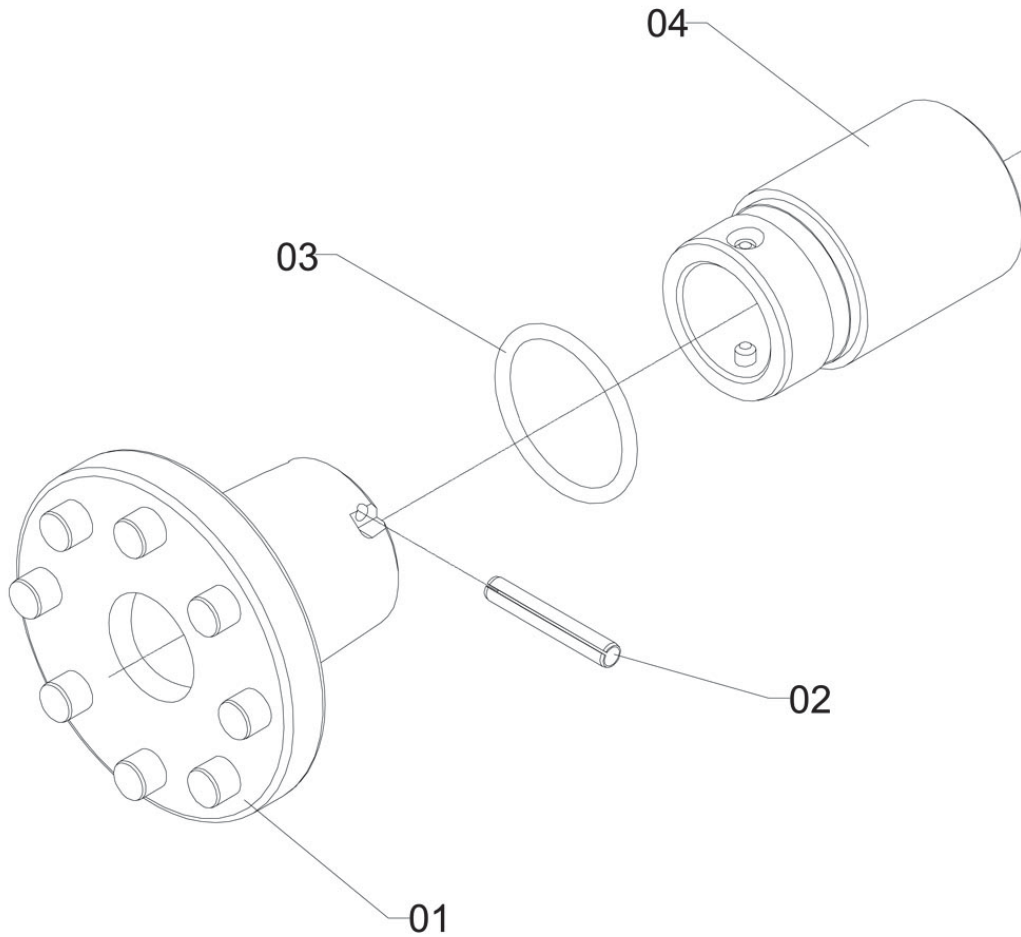
ITALIAN LID



D-133

Item	CODE	DESCRIPTION	Qty.	Item	CODE	DESCRIPTION	Qty.
00	752949	Italian lid	1				
01	870279	Lid seat	1				
02	870295	Deflector	1				
03	870261	Breather assembly	1				
04	870253	Float	1				
05	870287	Coupling nut	1				
06	870220	Packing ring	1				
07	870238	Spray tank lid	1				
08	870204	Lid articulator	1				
09	870212	Articulation pin	1				
10	994863	Packing ring ω 367 x 6.99	1				

GROOVED HUB WITH HITCH

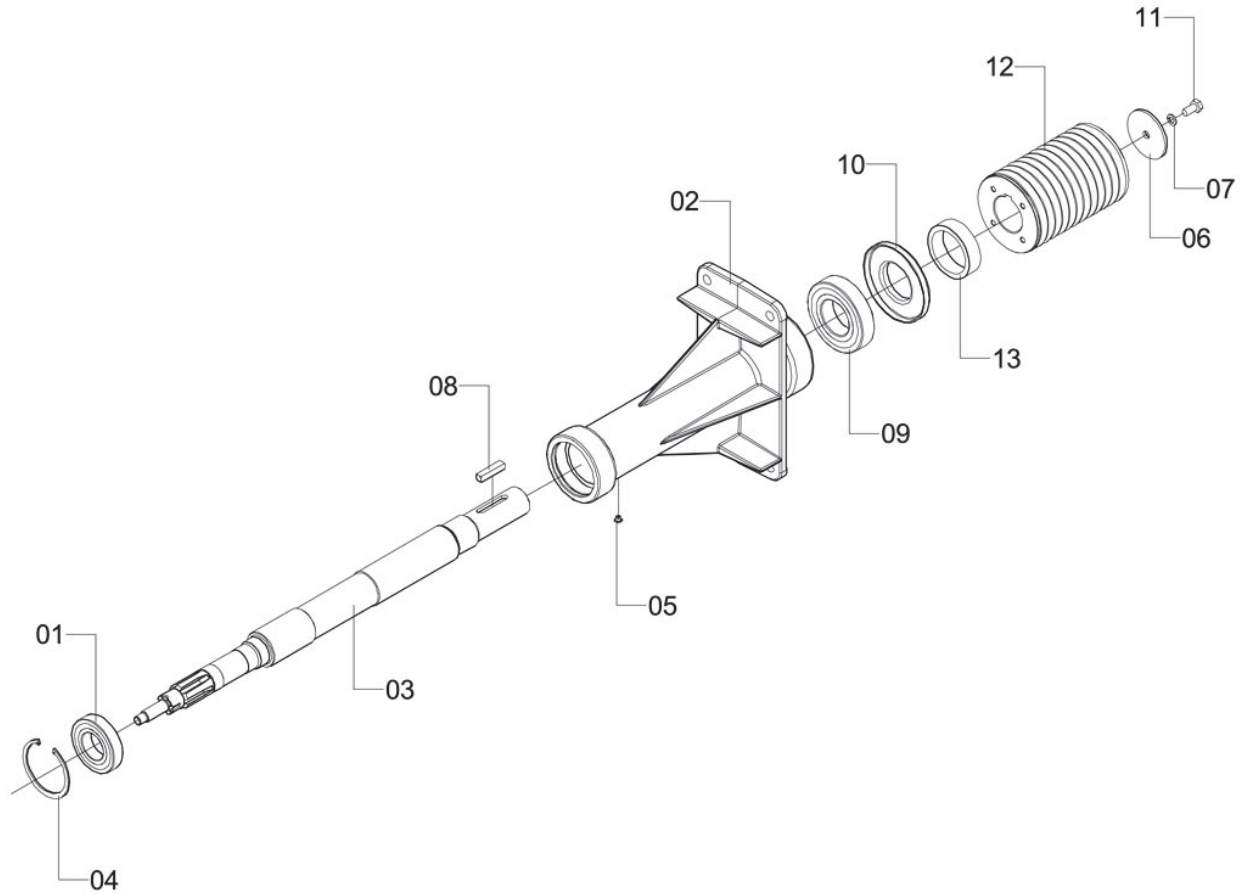


TMV-52

Item	CODE	DESCRIPTION	Qty.
00	177055	Grooved hub with hitch	1
01	018713	Grooved hub with pins	1
02	427567	Flexible pin ω 5 x 32	1
03	011643	O-ring ORI-129	1
04	201103	Coupling hub	1

Item	CODE	DESCRIPTION	Qty.

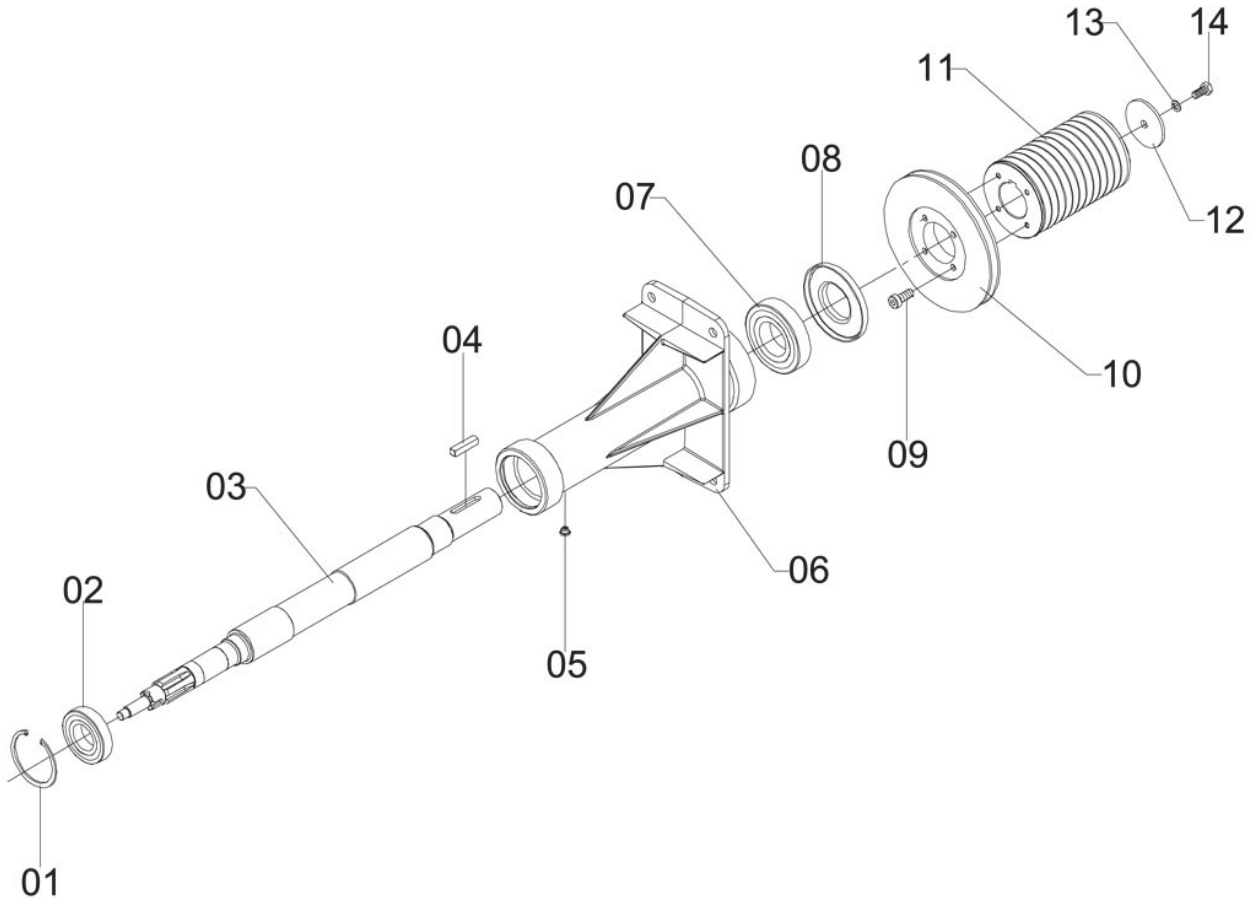
ANTIFRICTION BEARING NO.29



TMV-49

Item	CODE	DESCRIPTION	Qty.	Item	CODE	DESCRIPTION	Qty.
00	297226	Antifriction bearing no.29	1				
01	203737	Fixed bearing	1				
02	228767	Transmission bearing	1				
03	228775	Axle 719	1				
04	324145	Snap ring for hole w 80	1				
05	430652	Bearing breather	1				
06	507665	Flat washer 82 x 506 x 30	1				
07	519736	Lock washer w	1				
08	519793	Square key - 9.53 (3/8") x 45	1				
09	728899	Fixed bearing	1				
10	728907	Packing ring	1				
11	910794	Hex. bolt 5/16" - 24 UNF x 5/8"	1				
12	296954	Pulley W 92-12-3V	1				
13	728576	Spacer 15	1				

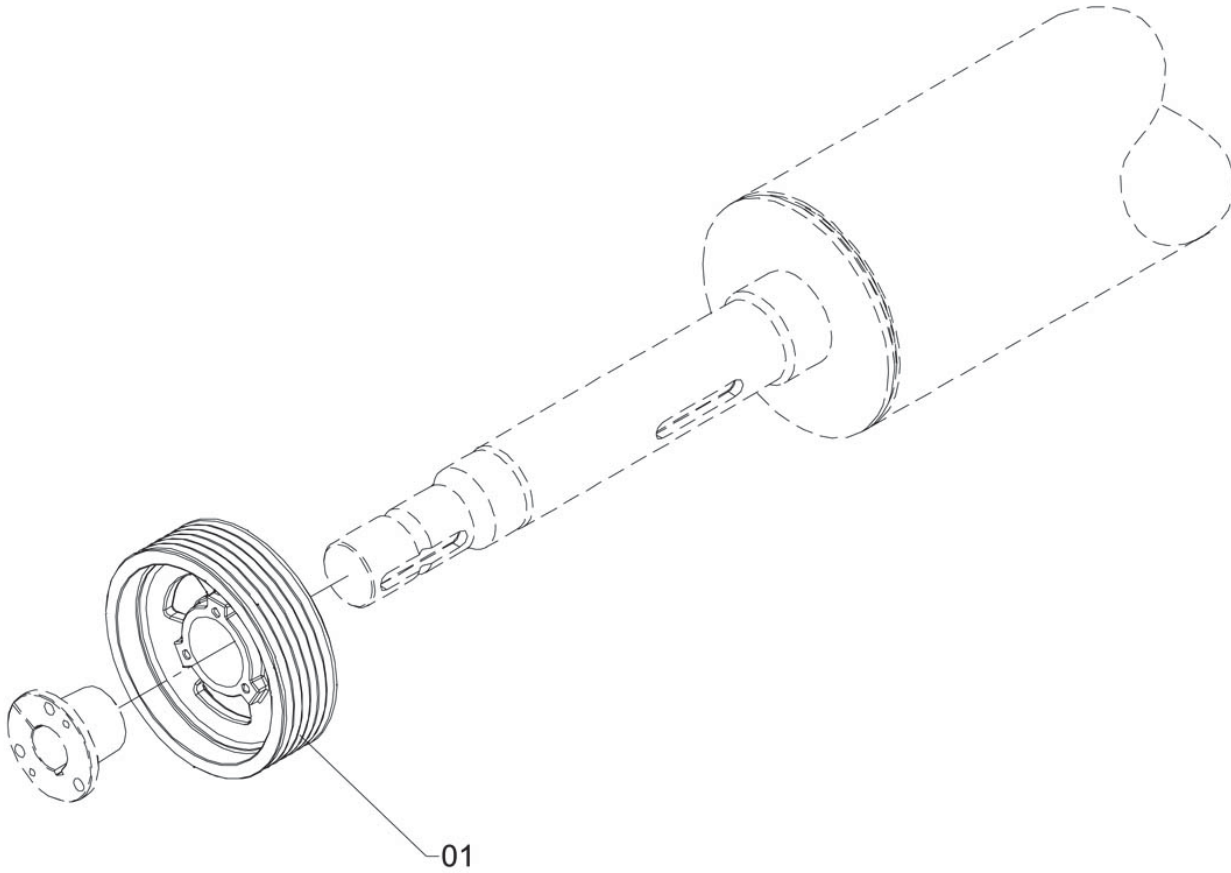
ROLLER BEARING N° 30



TMV-74

Item	CODE	DESCRIPTION	Qty.	Item	CODE	DESCRIPTION	Qty.
00	299669	Roller Bearing n° 30	1				
01	324145	Snap ring for hole \varnothing 80	1				
02	203737	Fixed bearing	1				
03	228775	Axle 719	1				
04	519793	Square key - 9.53 (3/8") x 45	1				
05	430652	Bearing breather	1				
06	228767	Transmission bearing	1				
07	728899	Fixed bearing	1				
08	728907	Packing ring	1				
09	324376	Allen screw 1/4" UNC x 3/4"	4				
10	559328	Pulley \varnothing 158-1-3V guide 92	1				
11	296954	Pulley \varnothing 92-12-3V	1				
12	507665	Flat washer 82 x 506 x 30	1				
13	519736	Lock washer \varnothing	1				
14	910794	Hex. bolt 5/16" - 24 UNF x 5/8"	1				

PULLEY ㄣ 200-6-3V

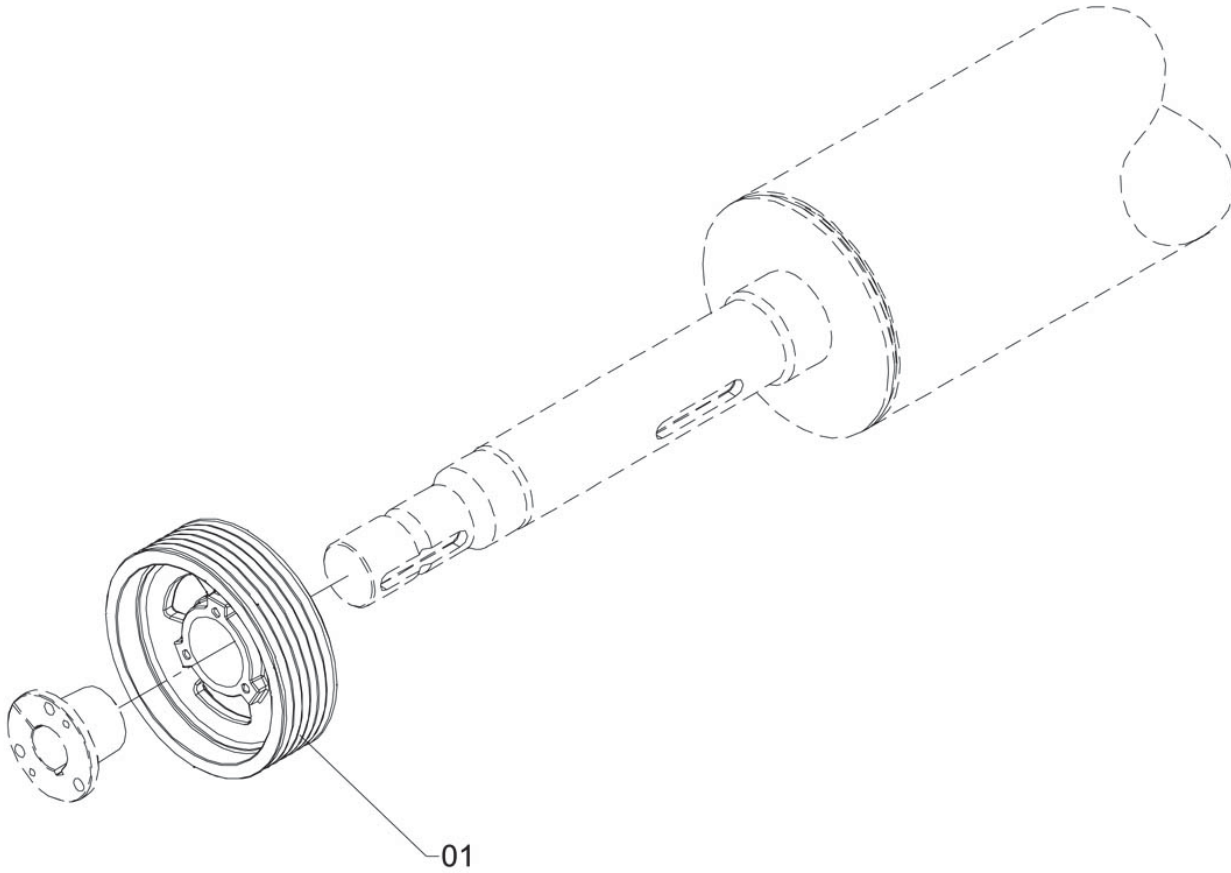


TMT-71

Item	CODE	DESCRIPTION	Qty.
00	353946	Pulley ㄣ 200-6-3V	1
01	353946	Pulley ㄣ 200-6-3V	1

Item	CODE	DESCRIPTION	Qty.

PULLEY ω 228-6-3V

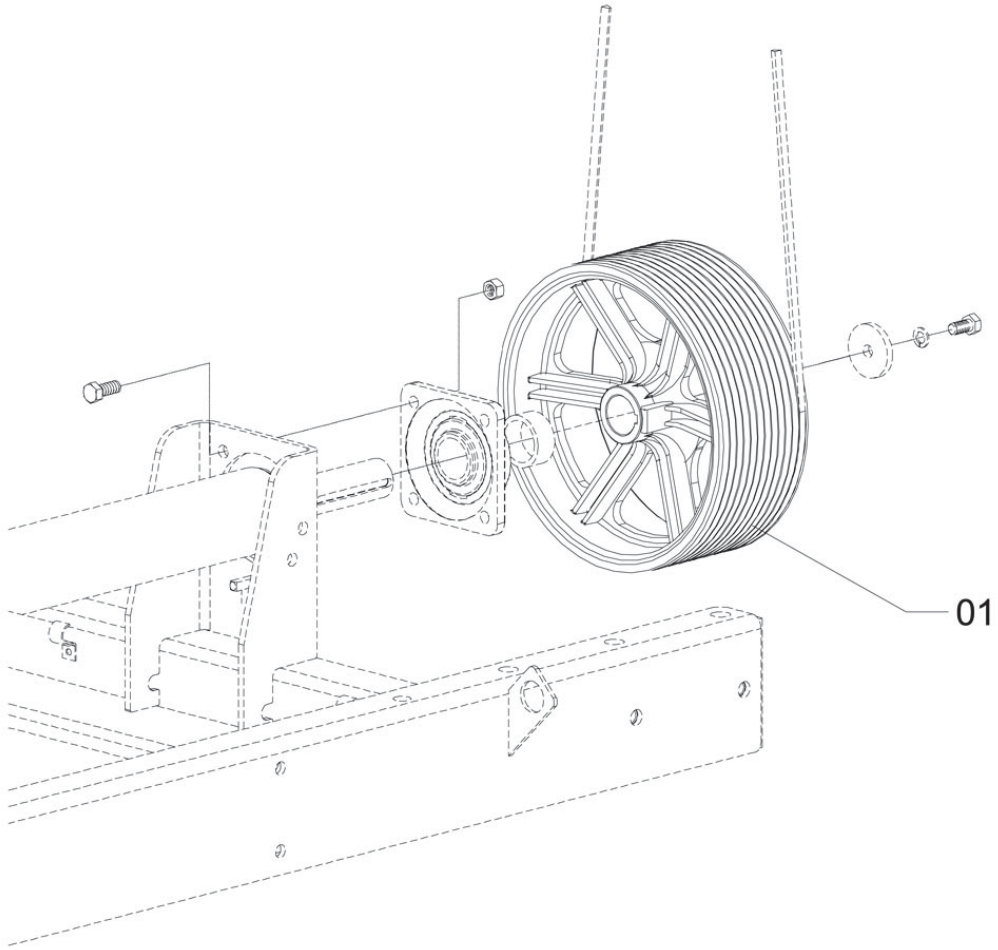


TMT-71

Item	CODE	DESCRIPTION	Qty.
00	375485	Pulley ω 228-6-3V	1
01	375485	Pulley ω 228-6-3V	1

Item	CODE	DESCRIPTION	Qty.

PULLEY W 332-12-3V

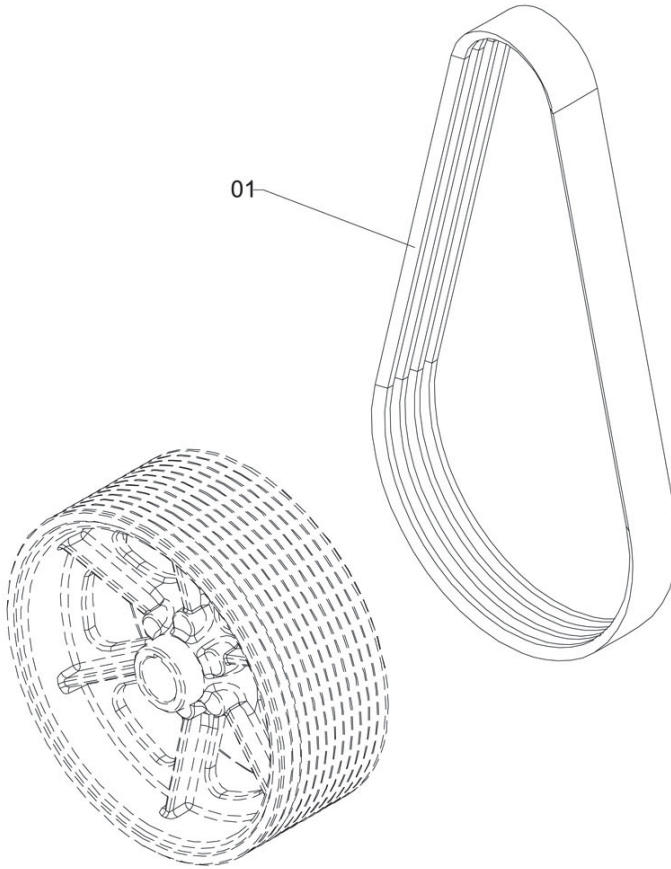


TMT-99

Item	CODE	DESCRIPTION	Qty.
00	551861	Pulley W 332-12-3V	1
01	551861	Pulley W 332-12-3V	

Item	CODE	DESCRIPTION	Qty.

TRAPEZOID BELT SUPER HC 4/3V - 0900

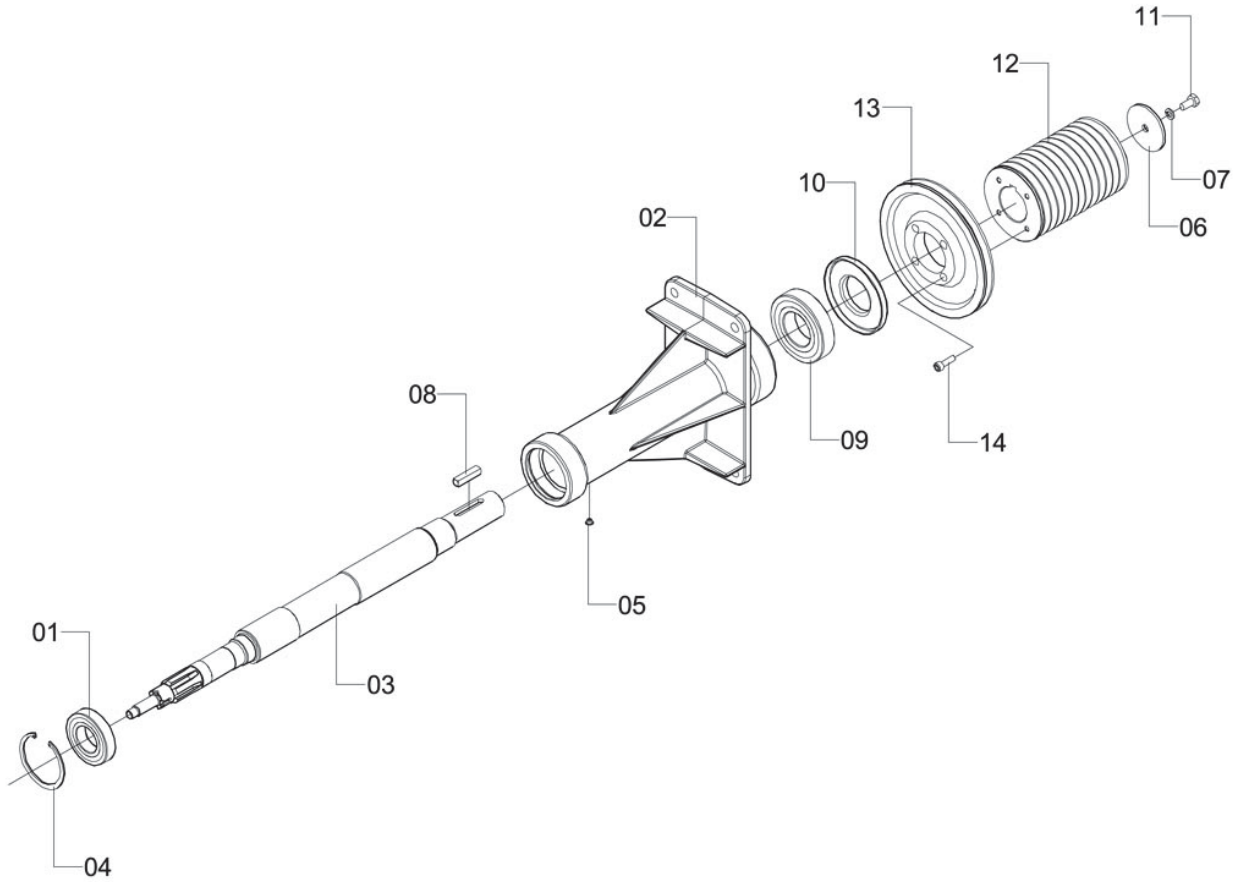


TMT-70

Item	CODE	DESCRIPTION	Qty.
00	482950	Trapezoid belt Super HC 4/3V - 0900	1
01	482950	Trapezoid belt Super HC 4/3V - 0900	1

Item	CODE	DESCRIPTION	Qty.

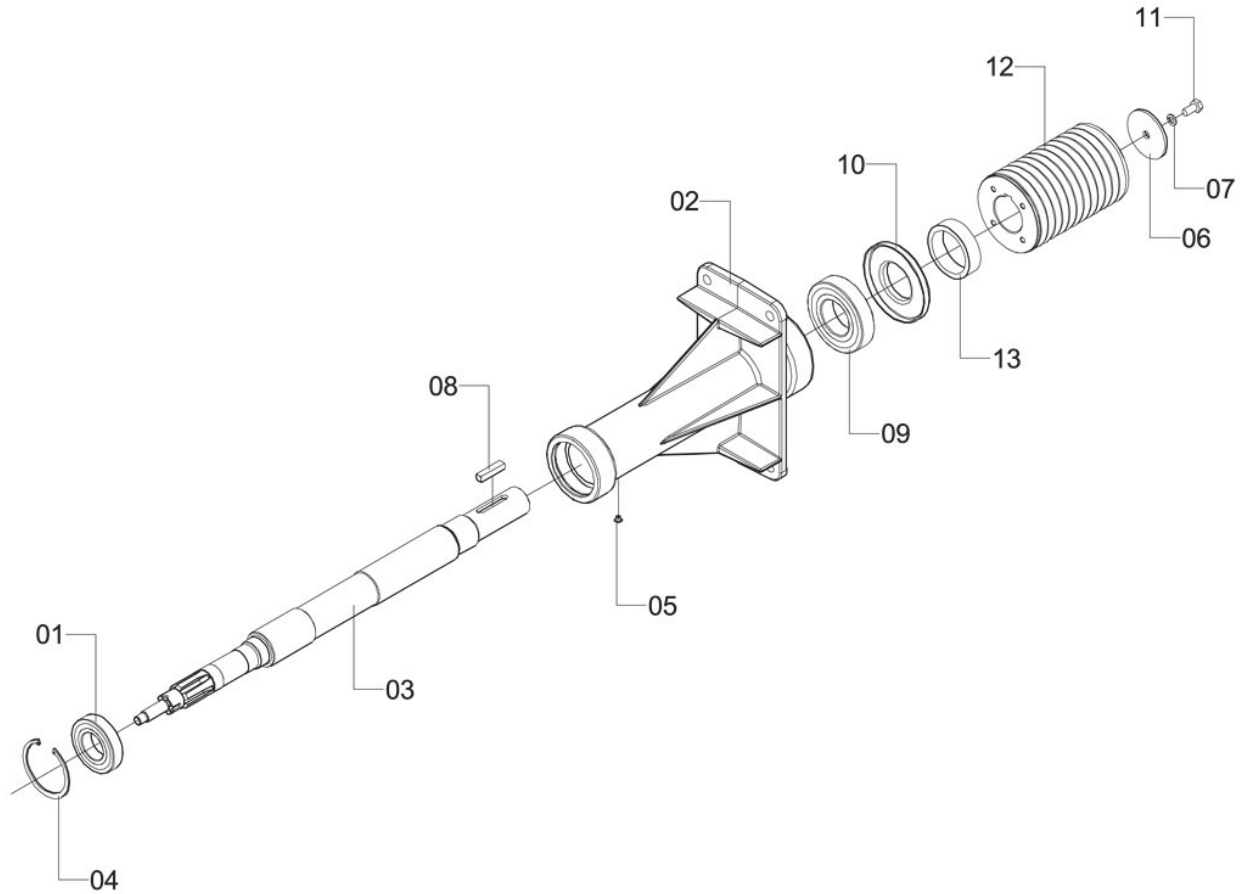
ANTIFRICTION BEARING NO.27



TMV-50

Item	CODE	DESCRIPTION	Qty.	Item	CODE	DESCRIPTION	Qty.
00	265348	Antifriction bearing no.27	1				
01	203737	Fixed bearing	1				
02	228767	Transmission bearing	1				
03	228775	Axle 719	1				
04	324145	Snap ring for hole w 80	1				
05	430652	Bearing breather	1				
06	507665	Flat washer 82 x 506 x 30	1				
07	519736	Lock washer w	1				
08	519793	Square key - 9.53 (3/8") x 45	1				
09	728899	Fixed bearing	1				
10	728907	Packing ring	1				
11	910794	Hex. bolt 5/16" - 24 UNF x 5/8"	1				
12	277855	Pulley w 85-12-3V	1				
13	559310	Pulley w 158-1-3V	1				
14	324376	Allen screw 1/4" UNC x 3/4"	4				

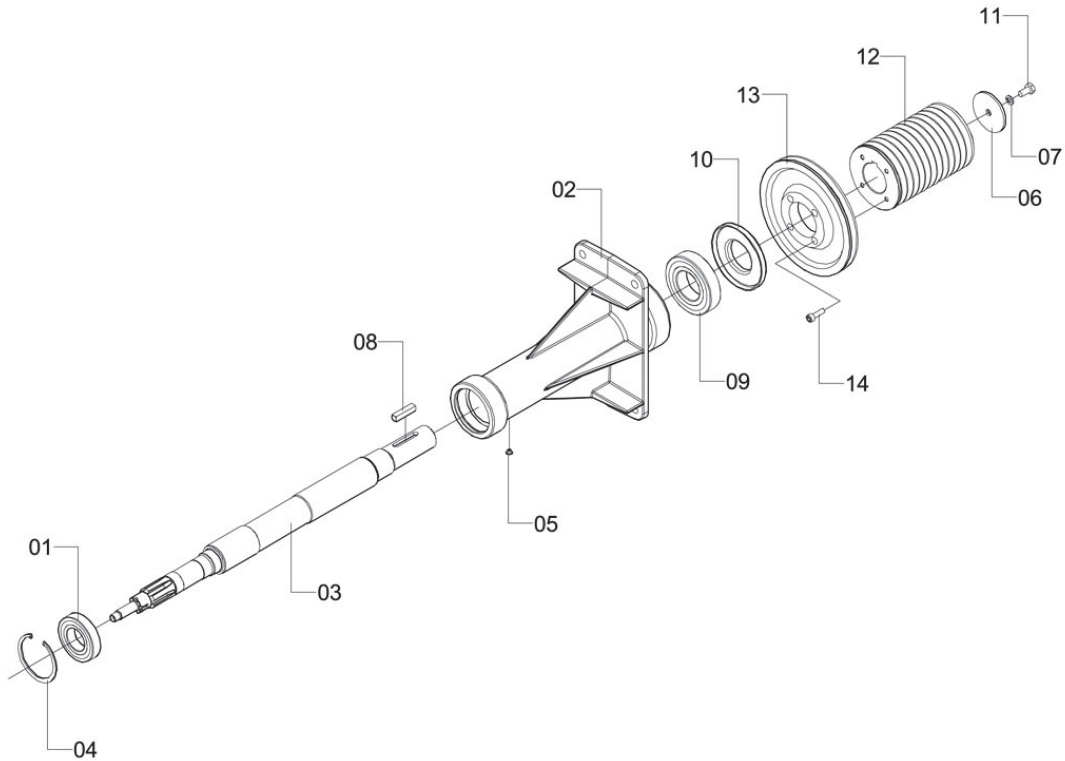
ANTIFRICTION BEARING NO.28



TMV-49

Item	CODE	DESCRIPTION	Qty.	Item	CODE	DESCRIPTION	Qty.
00	287011	Antifriction bearing no.28	1				
01	203737	Fixed bearing	1				
02	228767	Transmission bearing	1				
03	228775	Axle 719	1				
04	324145	Snap ring for hole with diameter 80	1				
05	430652	Bearing breather	1				
06	507665	Flat washer 82 x 506 x 30	1				
07	519736	Lock washer with diameter 80	1				
08	519793	Square key - 9.53 (3/8) x 45	1				
09	728899	Fixed bearing	1				
10	728907	Packing ring	1				
11	910794	Hex. bolt 5/16 inch - 24 UNF x 5/8 inch	1				
12	277855	Pulley with diameters 85-12-3V	1				
13	728576	Spacer 15	1				

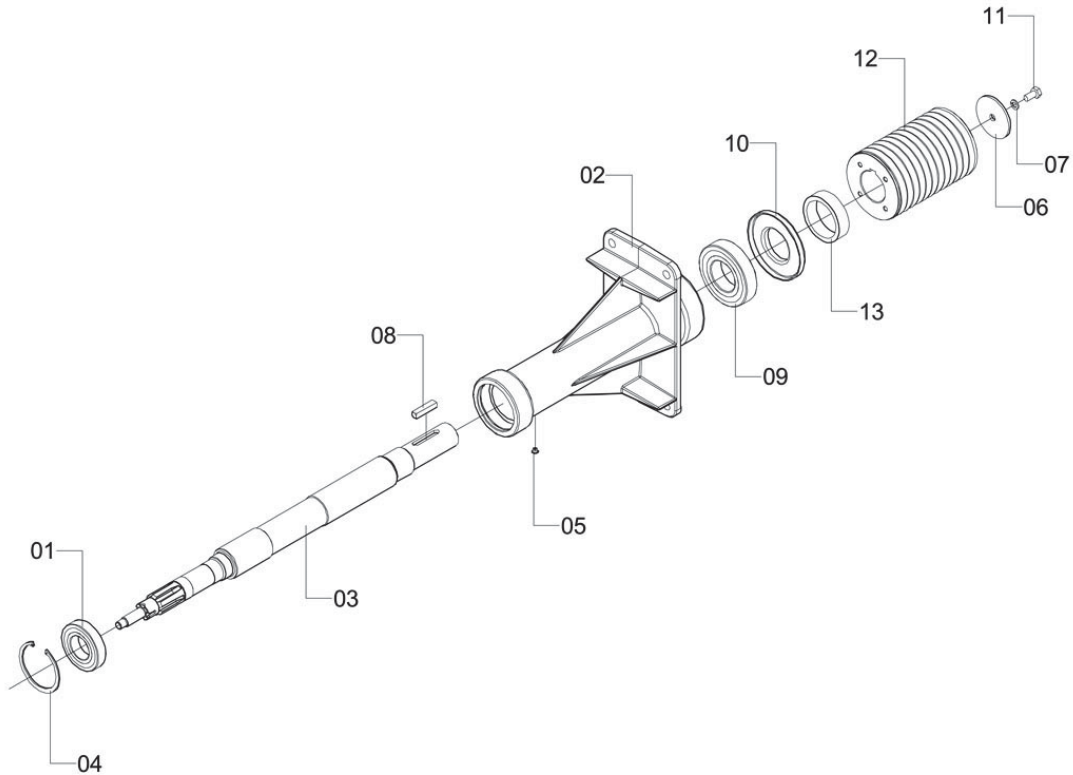
ANTIFRICTION BEARING NO. 31 WITH PULLEY 88 S



TMV-55

Item	CODE	DESCRIPTION	Qty.	Item	CODE	DESCRIPTION	Qty.
00	383521	Antifriction bearing no. 31 with pulley 88 S	1				
01	203737	Fixed bearing	1				
02	228767	Transmission bearing	1				
03	228775	Axle 719	1				
04	324145	Snap ring for hole with diameter 80	1				
05	430652	Bearing breather	1				
06	507665	Flat washer 82 x 506 x 30	1				
07	519736	Lock washer with diameter 80	1				
08	519793	Square key - 9.53 (3/8) x 45	1				
09	728899	Fixed bearing	1				
10	728907	Packing ring	1				
11	910794	Hex. bolt 5/16" - 24 UNF x 5/8"	1				
12	376111	Pulley with diameter 88-12-3V	1				
13	437400	Pulley with diameter 158-1-3V	1				
14	324376	Allen screw 1/4" UNC x 3/4"	4				

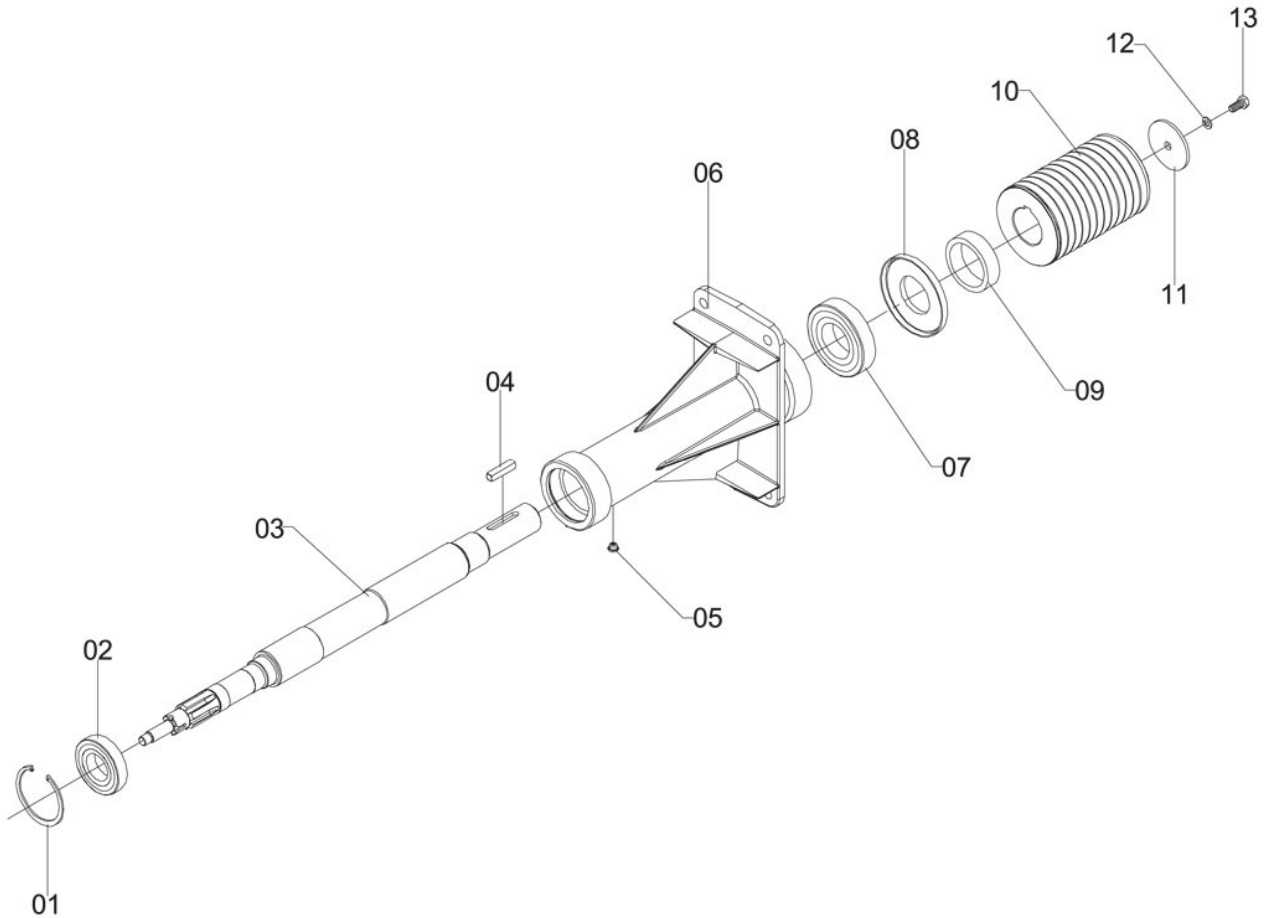
ANTIFRICTION BEARING NO. 31 WITH PULLEY 88



TMV-54

Item	CODE	DESCRIPTION	Qty.	Item	CODE	DESCRIPTION	Qty.
00	384180	Antifriction bearing no. 31 with pulley 88	1				
01	203737	Fixed bearing	1				
02	228767	Transmission bearing	1				
03	228775	Axle 719	1				
04	324145	Snap ring for hole \varnothing 80	1				
05	430652	Bearing breather	1				
06	507665	Flat washer 82 x 506 x 30	1				
07	519736	Lock washer ϖ	1				
08	519793	Square key - 9.53 (3/8") x 45	1				
09	728899	Fixed bearing	1				
10	728907	Packing ring	1				
11	910794	Hex. bolt 5/16" - 24 UNF x 5/8"	1				
12	376111	Pulley \varnothing 88-12-3V	1				
13	728576	Spacer 15	1				

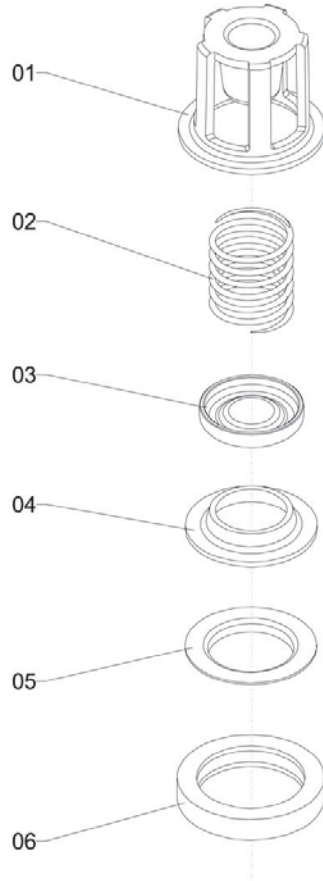
FAN BEARING WITH PULLEY 105



TMV-75

Item	CODE	DESCRIPTION	Qty.	Item	CODE	DESCRIPTION	Qty.
00	164590	Fan bearing with pulley 105	1				
01	324145	Snap ring for hole ω 80	1				
02	203737	Fixed bearing	1				
03	228775	Axle 719	1				
04	519793	Square key - 9.53 (3/8") x 45	1				
05	430652	Bearing breather	1				
06	228767	Transmission bearing	1				
07	728899	Fixed bearing	1				
08	728907	Packing ring	1				
09	728576	Spacer 15	1				
10	381657	Pulley ω 105-12-3V	1				
11	507665	Flat washer 82 x 506 x 30	1				
12	519736	Lock washer ω	1				
13	910794	Hex. bolt 5/16" - 24 UNF x 5/8"	1				

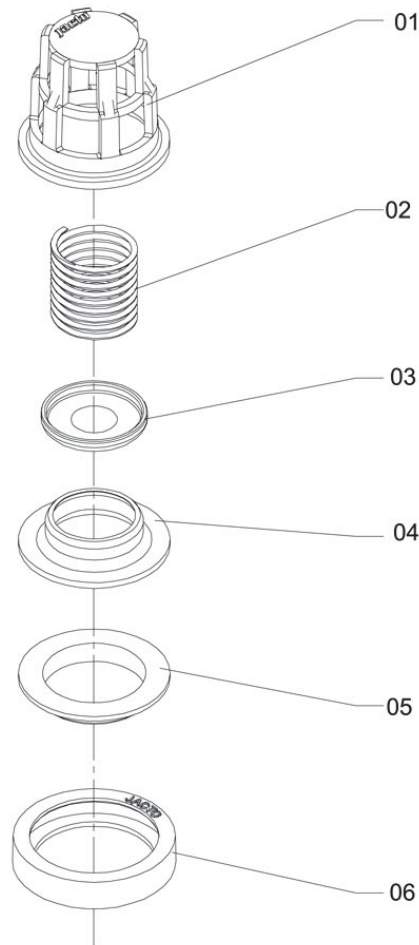
PUMP VALVE



B-137

Item	CODE	DESCRIPTION	Qty.	Item	CODE	DESCRIPTION	Qty.
00	261404	Pump valve	1				
01	073809	Gaiola	1				
02	088070	Compression spring ω 19.7 z LO= 23.1	1				
03	088187	Disc ω 21.9/22	1				
04	407296	Valve seat	1				
05	508317	Guide ring - pump valve	1				
06	508333	Valve packing	1				

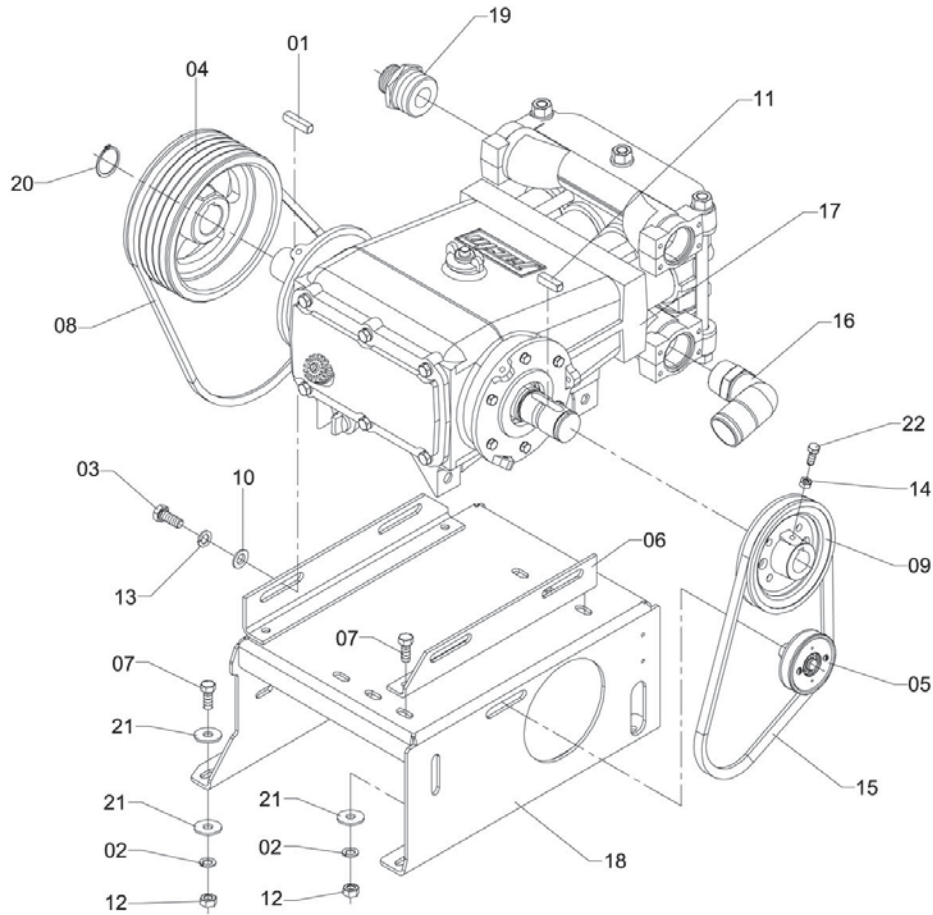
VALVE FOR PUMP Ш 24 - MODEL "D"



B-114

Item	CODE	DESCRIPTION	Qty.	Item	CODE	DESCRIPTION	Qty.
00	587378	Valve for pump ш 24 - model "D"	1				
01	587212	Gage	1				
02	587360	Stainless compressing spring	1				
03	323030	Disk	1				
04	323022	Valve seat	1				
05	323006	Valve ring	1				
06	323014	Packing ring ш 47 x 35.5 x 9.00	1				

PUMP ASSEMBLY - JP-100 CF CERRADO/GC

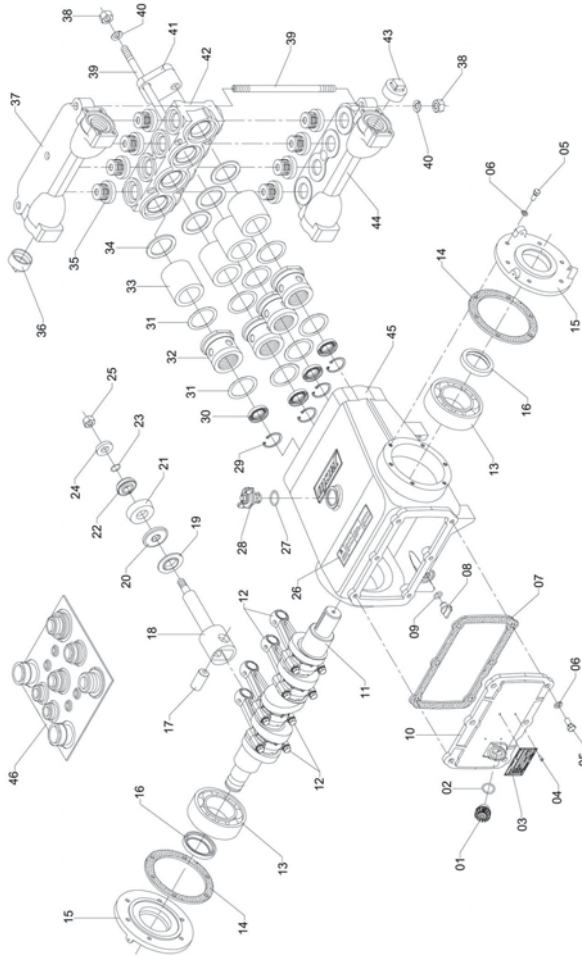


TMT-116

Item	CODE	DESCRIPTION	Qty.	Item	CODE	DESCRIPTION	Qty.
00	293753	Pump Assembly - JP-100 CF Cerrado/GC	1				
01	108936	Square key 9,53 (3/8") x 35	1				
02	209395	Lock washer M10	6				
03	520205	Bolt 1/2" - 13 UNC x 1.1/4"	4				
04	639120	Pulley \varnothing 200-6-3V	1				
05	645416	Tightening pulley assembly 78-1A (Shaft \varnothing 15 x 50,5)	1				
06	724161	Pump support (rear)	1				
07	757559	Hex. bolt M10 x 30 x 1.25	6				
08	768713	Trapeze belt	6				
09	817569	Pulley \varnothing 146 x 1A	1				
10	818112	Flat washer 130 x 240 x 30	4				
11	015305	Square key 5/16" x 30	1				
12	907030	Hex. nut M10 x 1.25	6				
13	908582	Lock washer 1/2"	4				
14	912758	Hex. nut 5/16" - 18 UNC	1				
15	916106	Belt A-35	1				
16	969386	Hose fitting 2" x 1.1/4" BSP T 90e	1				
17	984740	Spray pump JP-100	1				
18	172361	Pump base	1				
19	202861	Nipple 1" BSP - 11 F.P.P.	1				
20	203067	Snap ring for shaft \varnothing 35	1				
21	623884	Flat washer \varnothing 10.5 x 21 x 2 - stainless steel	10				
22	836502	Screw 5/16" - 18 UNC x 1"	1				

Controlled copy – Distribution and reproduction prohibited

SPRAY PUMP JP-100

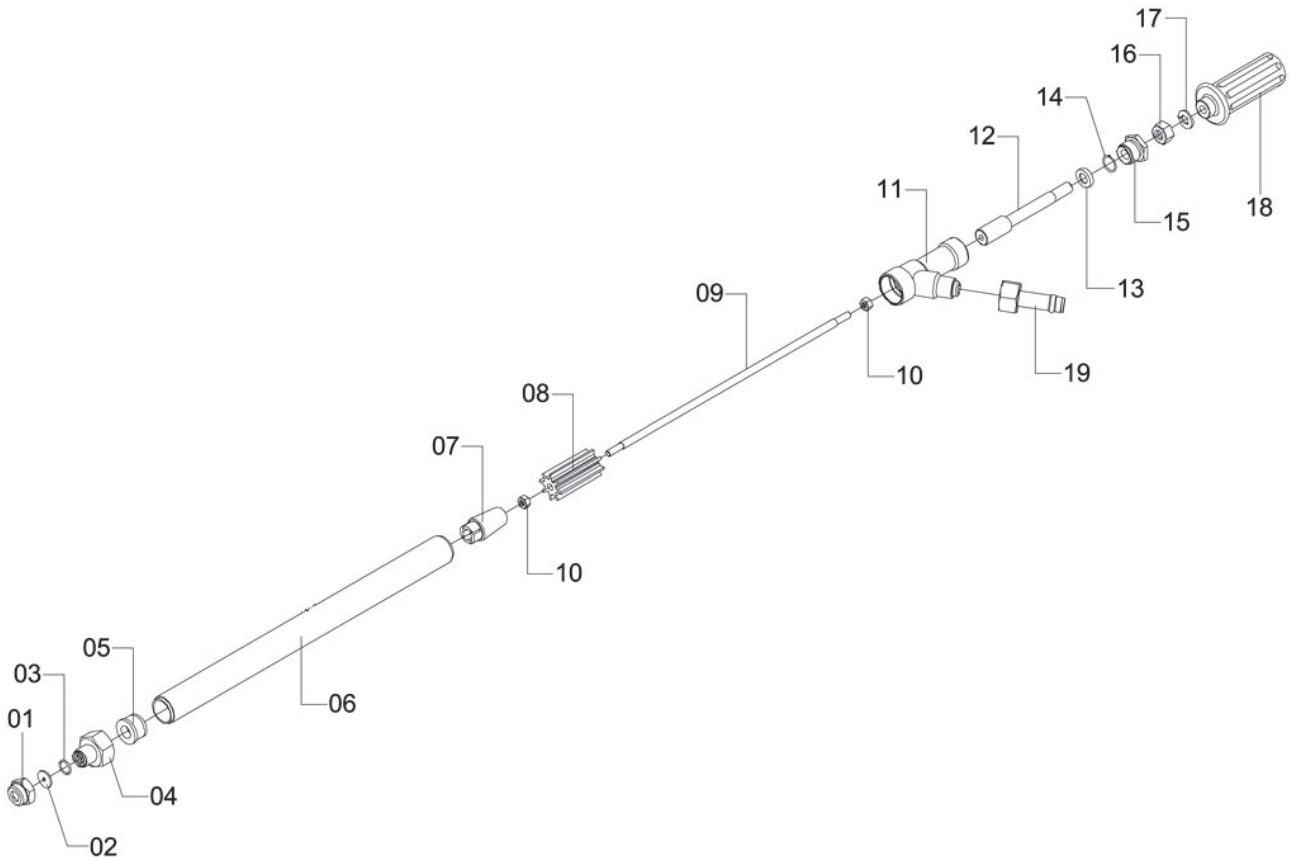


B-126

Item	CODE	DESCRIPTION	Qty.	Item	CODE	DESCRIPTION	Qty.
00	984740	Spray pump JP-100	1	30	106922	Retainer \varnothing 22 x 35.2 x 7	4
01	213736	Plug 1/2" BSP	1	31	912154	Packing \varnothing 54 x 41.5 x 0.4	8
02	210146	O-ring OR1-117	1	32	911750	Sleeve guide \varnothing 35	4
03	1159487	Identification plate "Engraved"	1	33	423517	Pump sleeve	4
04	109587	Round head rivet	4	34	912493	Seal washer \varnothing 54 x 2.0	4
05	663153	Hex. bolt 5/16" - 18 UNC x 3/4"	18	35	261404	Pump valve	8
06	519736	Lock washer \varnothing	18	36	911305	Plug \varnothing 1" BSP	1
07	911735	Packing 130 x 235 x 1.59	1	37	071456	Valve cap (machined part)	1
08	520775	Drain plug 1/4" BSP	1	38	912790	Hex. nut 1/2" - 13 UNC	6
09	325290	O-ring OR1-112	1	39	911974	Stud bolt 1/2" - 13 UNC x 210	7
10	911743	Pump cover	1	40	908582	Lock washer 1/2"	6
11	130419	Crankshaft	1	41	911883	Clip plate	2
12	130401	Connecting rod assembly	4	42	071472	Head - JP-100 C (machined part)	1
13	107557	Fixed bearing	2	43	208363	Plug \varnothing 1.1/4" BSP	1
14	912147	Packing	2	44	071464	Valve cap (machined part)	1
15	228395	Flange with wing	2	45	911594	Pump body	1
16	106930	Retainer	2	46	108126	Repair kit	1
17	911677	Connecting rod shaft	4		989251	Sticker: "CAFЙ" [COFFEE]	1
18	012922	Rod guide	4				
19	211524	Scraper ring	4				
20	911842	Piston cup assembly	4				
21	211482	Piston cup	4				
22	211375	Piston	4				
23	901405	O-ring ORI-014	4				
24	911867	Flat washer 130 x 254 x 50	4				
25	324178	Nut \varnothing 1/4" - 20 UNF	4				
26	959957	Sticker: "Keep oil on level"	1				
27	012724	O-ring ORI-119	1				
28	328542	Plug \varnothing 3/4" BSP	1				
29	107524	Snap ring for hole \varnothing 36	4				

Controlled copy – Distribution and reproduction prohibited

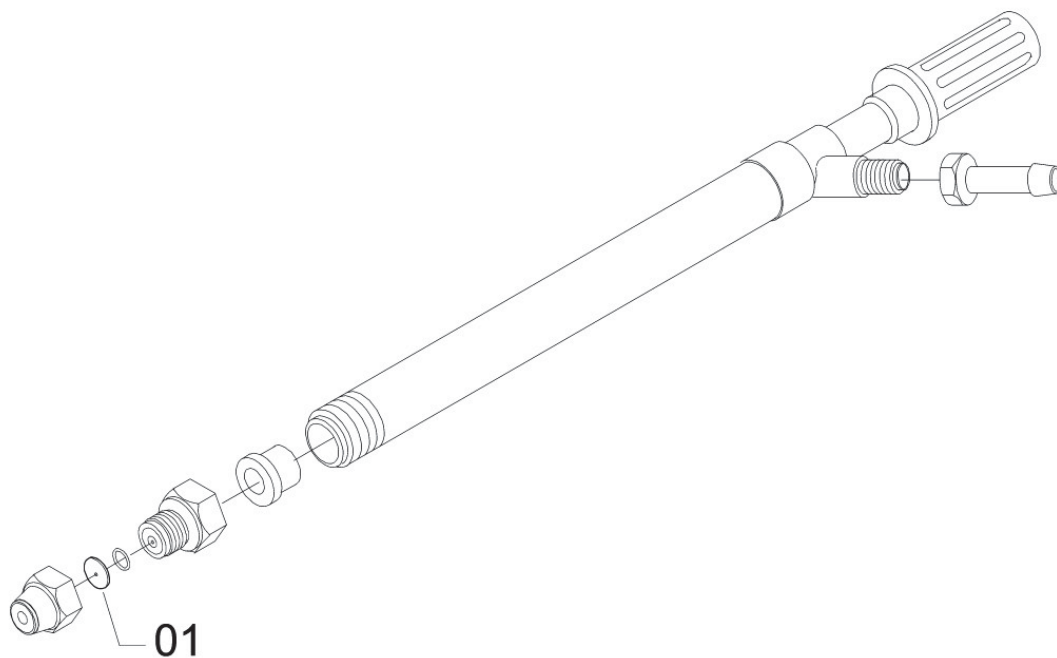
SPRAY GUN FOR CITRUS



P-10

Item	CODE	DESCRIPTION	Qty.	Item	CODE	DESCRIPTION	Qty.
00	114520	Spray Gun for Citrus	1				
01	114678	Nut 3/4" UNF	1				
02	622837	Disk 11	1				
03	011676	O-ring OR1-111	1				
04	114660	Nozzle body	1				
05	114652	Bushing	1				
06	114629	Duct	1				
07	114645	Swirl core	1				
08	114637	Guide	1				
09	114611	Extension	1				
10	204131	Nut 1/4" UNF x 4,9	2				
11	114595	Spray gun valve body	1				
12	114553	Screw 7/16" UNC x 3/4" x 125	1				
13	114587	Ring 20.6 x 4	1				
14	114579	Gasket 3/16" x 50 mm	1				
15	114561	Nut 7/8" UNF	1				
16	916627	Nut 7/16" - 14 UNC	1				
17	912998	Lock washer 7/16"	1				
18	114538	Spray gun handle with thread 7/16"	1				
19	413310	Hose fitting 12.7 (1/2")	1				

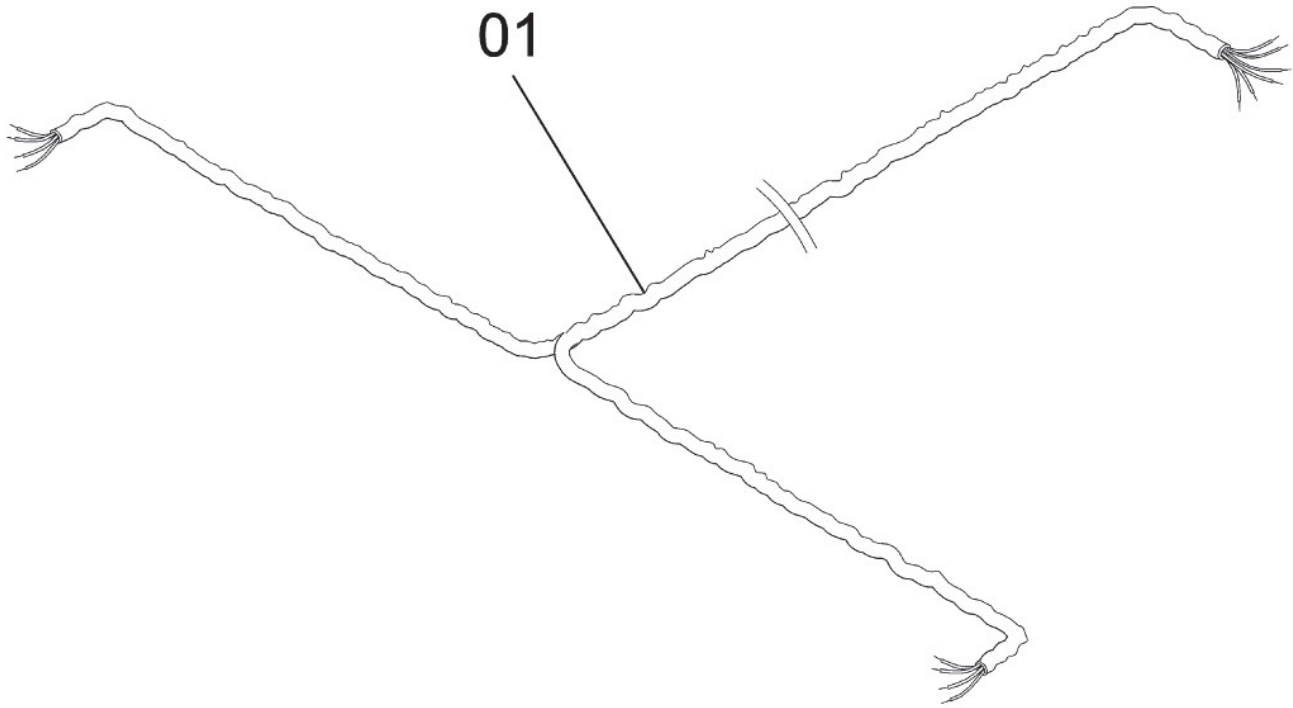
DISKS SET



P-8

Item	CODE	DESCRIPTION	Qty.	Item	CODE	DESCRIPTION	Qty.
00	525857	Disks set	1				
01	114686	Disk 10	1				
01A	202259	Disk no. 8 (citrus spray gun)	1				
01B	202267	Disk no. 6 (citrus spray gun)	1				
01C	202275	Disk no. 5 (citrus spray gun)	1				
01D	622811	Disk no. 7 (citrus spray gun)	1				
01E	622829	Disk 9	1				
01F	622837	Disk 11	1				

LIGHT ASSEMBLY - EAST EUROPE

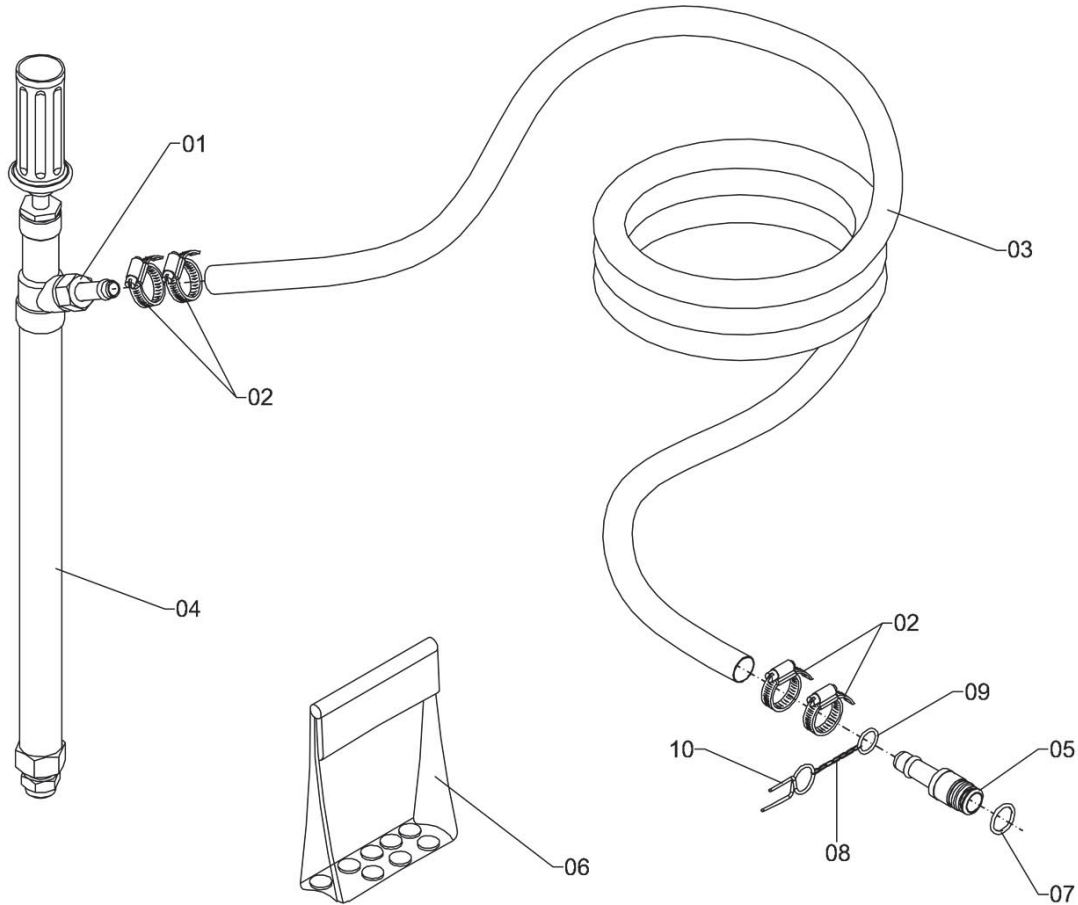


CE-130

Item	CODE	DESCRIPTION	Qty.
00	575902	Light assembly - East Europe	1
01	486035	Lights connection cable III	1

Item	CODE	DESCRIPTION	Qty.

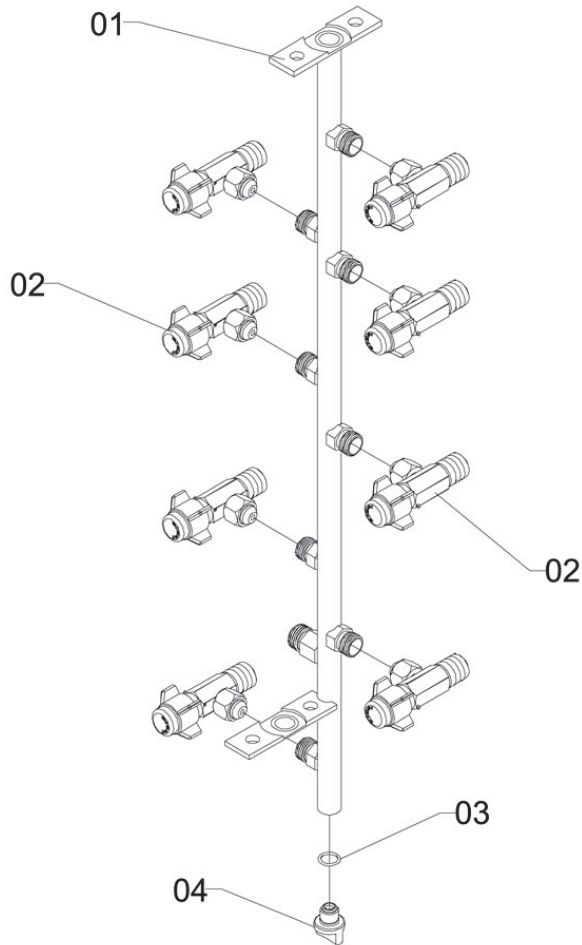
GUN KIT WITH 12-M HOSE AND QUICK FITTING



P-6

Item	CODE	DESCRIPTION	Qty.	Item	CODE	DESCRIPTION	Qty.
00	170696	Gun kit with 12-m hose and quick fitting	1				
01	413310	Hose fitting \varnothing 1/2"	2				
02	423814	Clamp D22-32 - stainless steel	8				
03	978734	Hose \varnothing 12,7 (1/2") x 13500	2				
04	114520	Spray Gun for Citrus	2				
05	636407	Quick fitting 1/2"	2				
06	525857	Disks set	2				
06A	114686	Disk 10	1				
06B	202259	Disk no. 8 (citrus spray gun)	1				
06C	202267	Disk no. 6 (citrus spray gun)	1				
06D	202275	Disk no. 5 (citrus spray gun)	1				
06E	622811	Disk no. 7 (citrus spray gun)	1				
06F	622829	Disk 9	1				
06G	622837	Disk 11	1				
07	440982	O-ring OR1-117	2				
08	437822	Chain 120 mm	2				
09	622969	Double ring \varnothing 22 x 26 x 3	4				
10	636399	Quick fitting clamp	2				

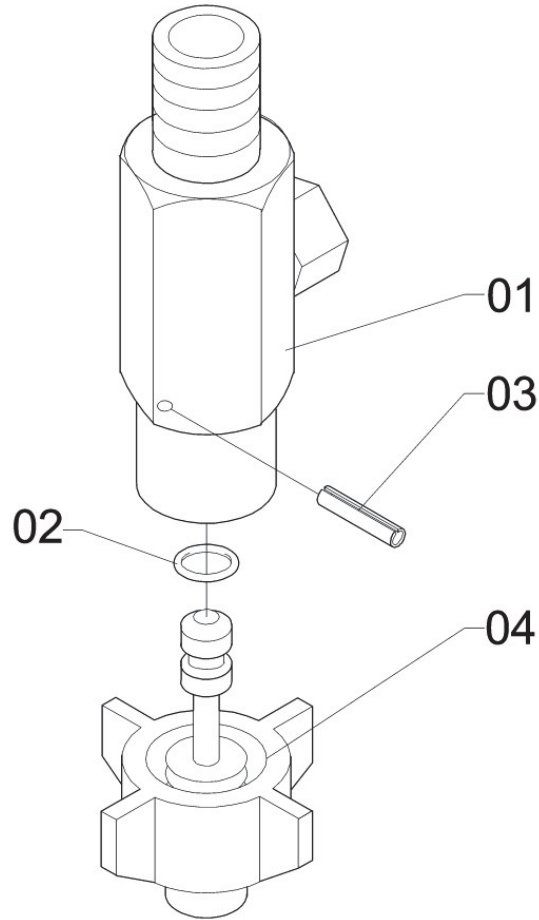
UPPER VOLUTE BRANCH FOR 8 NOZZLES



DF-60

Item	CODE	DESCRIPTION	Qty.	Item	CODE	DESCRIPTION	Qty.
00	388769	Upper volute branch for 8 nozzles	1				
01	566869	Top volute nozzle branch	1				
02	429332	Nozzle valve assembly	8				
03	901405	Packing ring ORI-014	1				
04	520775	Drain plug - 1/4" BSP	1				

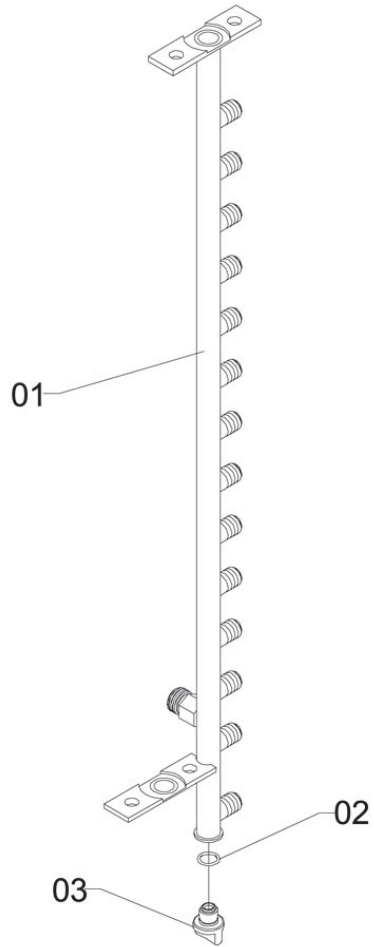
NOZZLE VALVE AAEMBLY



BC-37

Item	CODE	DESCRIPTION	Qty.	Item	CODE	DESCRIPTION	Qty.
00	429332	Nozzle valve aaemby	1				
01	716985	Nozzle holder	1				
02	426114	Packing ring	1				
03	426155	Pin 19	1				
04	717009	Valve	1				

DEFLECTOR BRANCH FOR 14 NOZZLES (VOLUTE)

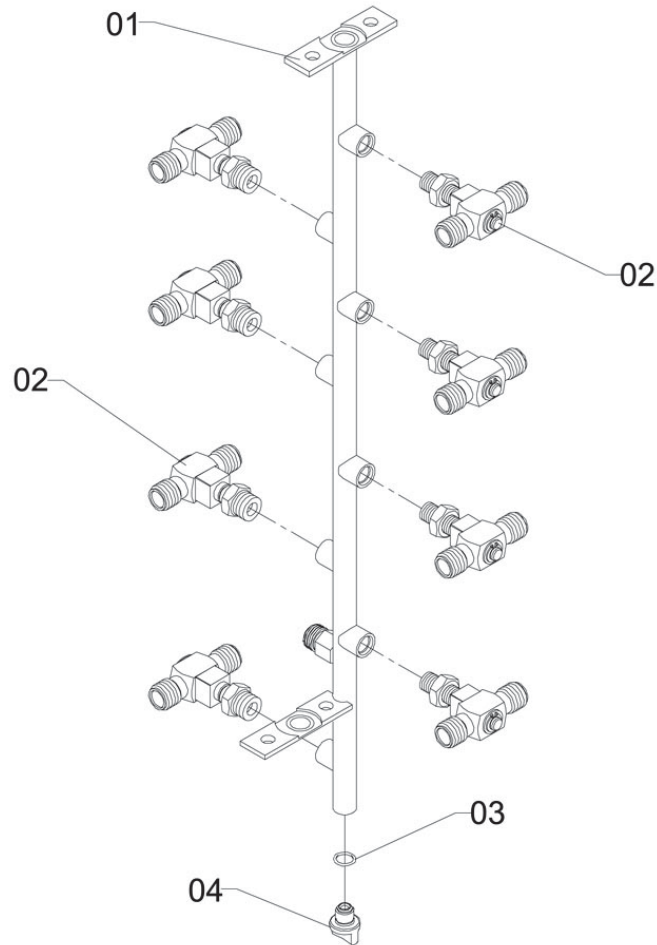


DF-71

Item	CODE	DESCRIPTION	Qty.
00	389148	Deflector branch for 14 nozzles (Volute)	1
01	646588	Branch - 14 nozzles BV	1
02	901405	Packing ring ORI-014	1
03	520775	Drain plug - 1/4" BSP	1

Item	CODE	DESCRIPTION	Qty.

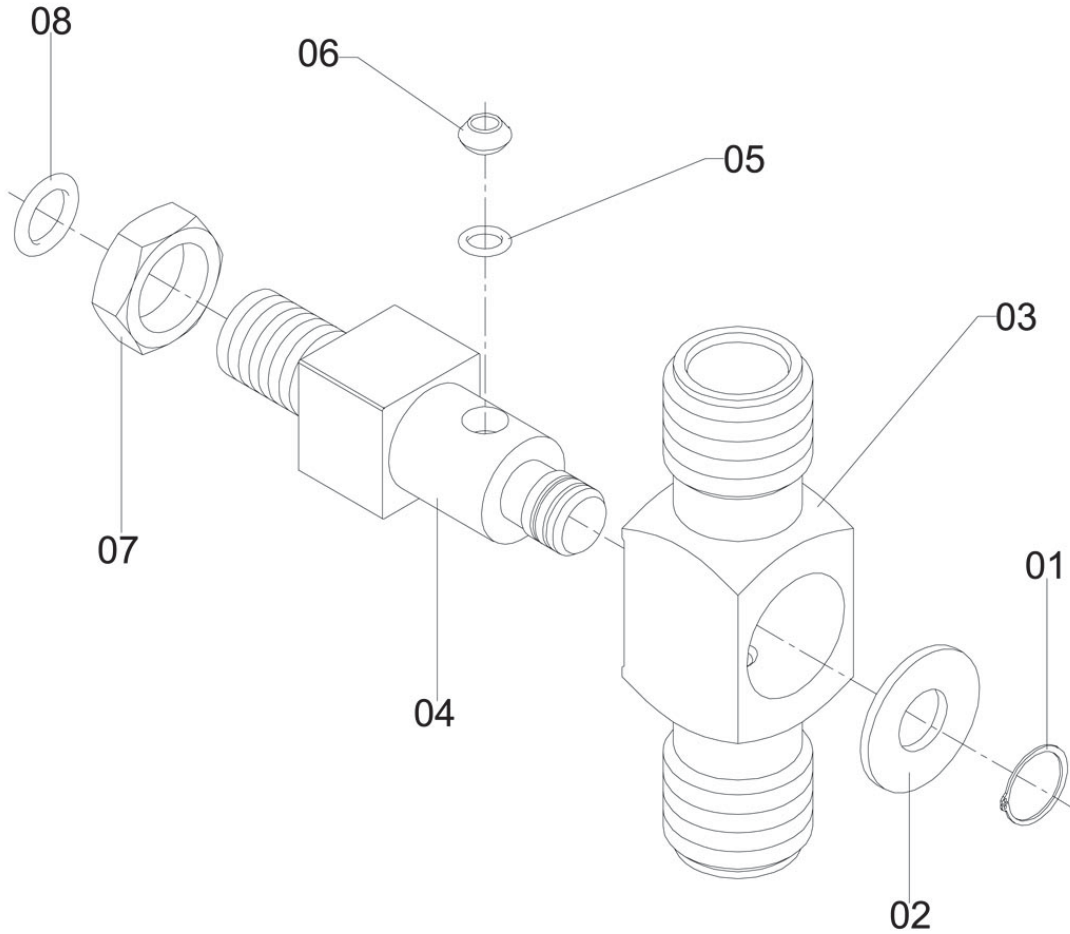
UPPER VOLUTE BRANCH FOR 8 NOZZLES



DF-62

Item	CODE	DESCRIPTION	Qty.	Item	CODE	DESCRIPTION	Qty.
00	389106	Upper volute branch for 8 nozzles	1				
01	563999	Upper volute branch tube	1				
02	340802	Double nozzle holder	8				
03	901405	Packing ring ORI-014	1				
04	520775	Drain plug - 1/4" BSP	1				

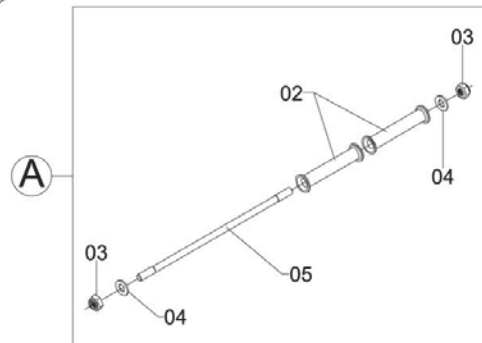
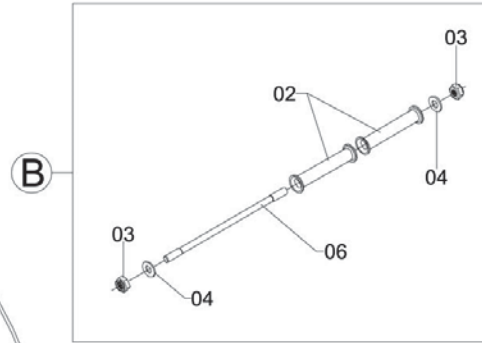
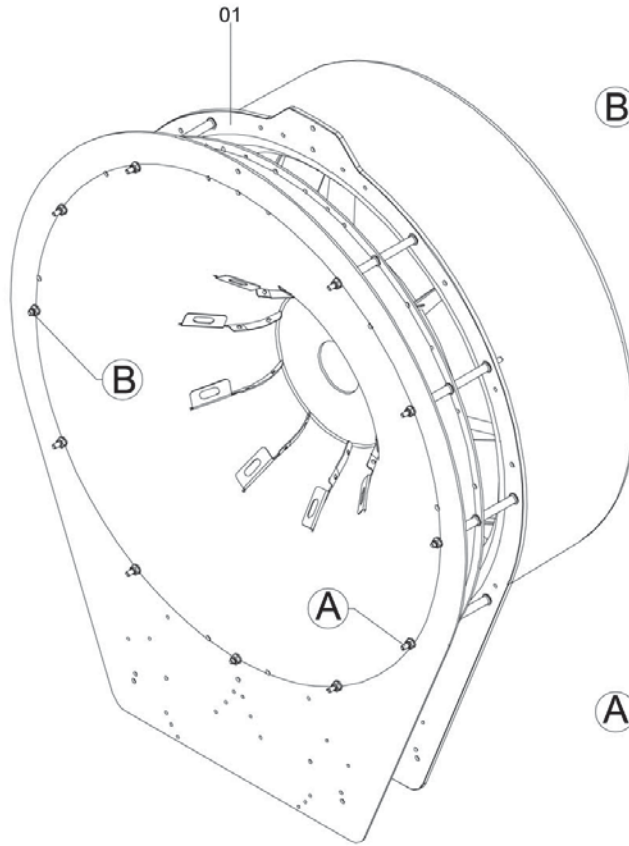
DOUBLE NOZZLE HOLDER



BC-63

Item	CODE	DESCRIPTION	Qty.	Item	CODE	DESCRIPTION	Qty.
00	340802	Double nozzle holder	1				
01	340844	Snap ring for shaft \varnothing 9	1				
02	340836	Wavy washer	1				
03	340810	Double nozzle holder	1				
04	454991	Nozzle holder support 51.5	1				
05	340851	O-ring OR2 - 201	1				
06	340828	Seal	1				
07	441154	Nut \varnothing 1/4" BSP - 18 F.P.P.	1				
08	120097	O-ring ORI - 013	1				

DEFLECTOR- 2P (VA)

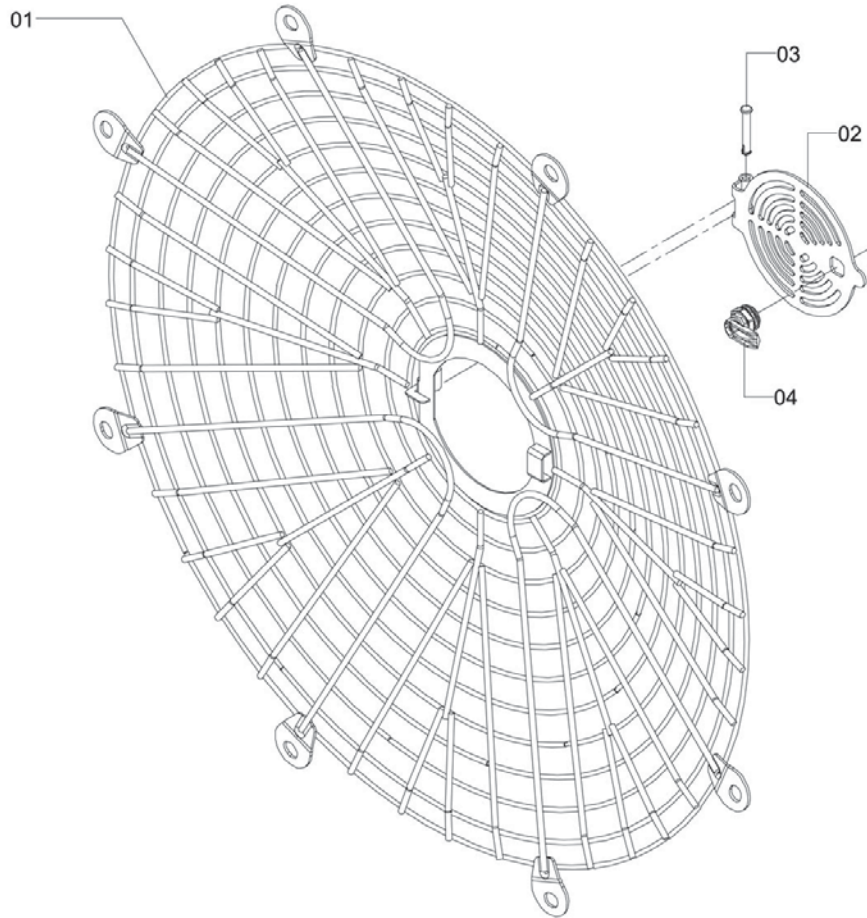


DF-182

Item	CODE	DESCRIPTION	Qty.
00	318576	Deflector- 2P (VA)	1
01	977884	Deflector 2P	1
02	325050	Spacer bushing 95	22
03	354464	Nut parlock 3/8" - 16 UNC	22
04	623884	Flat washer ω 10.5 x 21 x 2 - stainless steel	22
05	728436	Stud bolt - 3/8" x 266mm	8
06	204750	Stud bolt 3/8" x 245	3

Item	CODE	DESCRIPTION	Qty.

GUARD SCREEN - ASSEMBLY

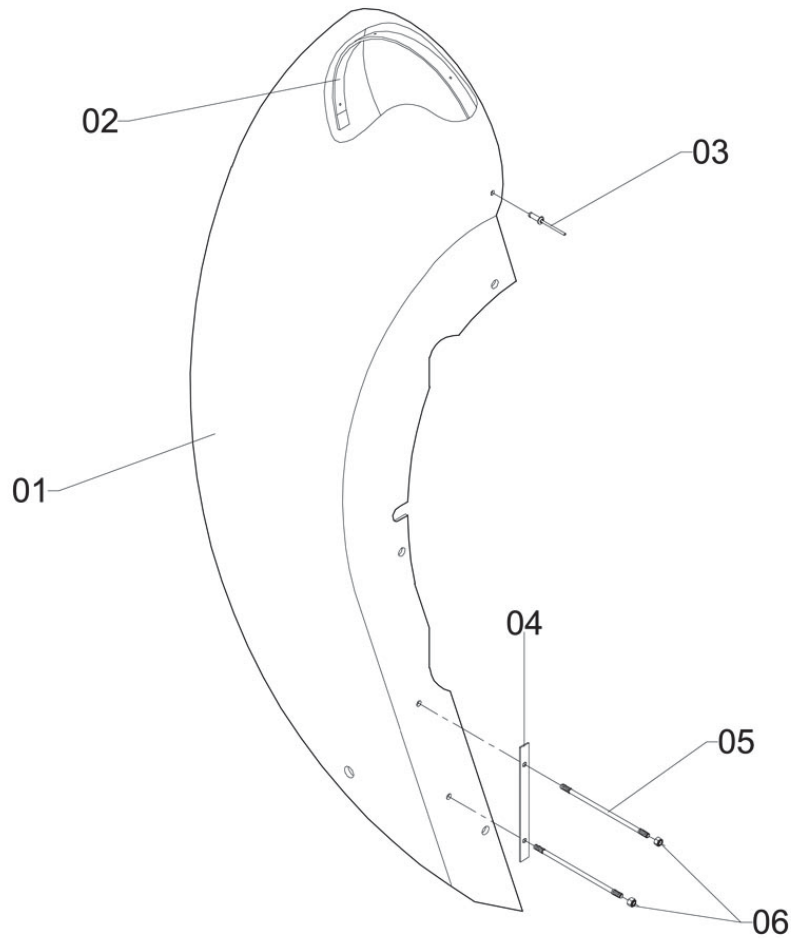


C-432

Item	CODE	DESCRIPTION	Qty.
00	430942	Guard screen - assembly	1
01	019463	Fan guard screen	1
02	1165899	Grid unlcok	1
03	847912	Chemical mixer articulator pin	1
04	1169820	Plastic stop latch key	1

Item	CODE	DESCRIPTION	Qty.

LOWER SWIRL CORE

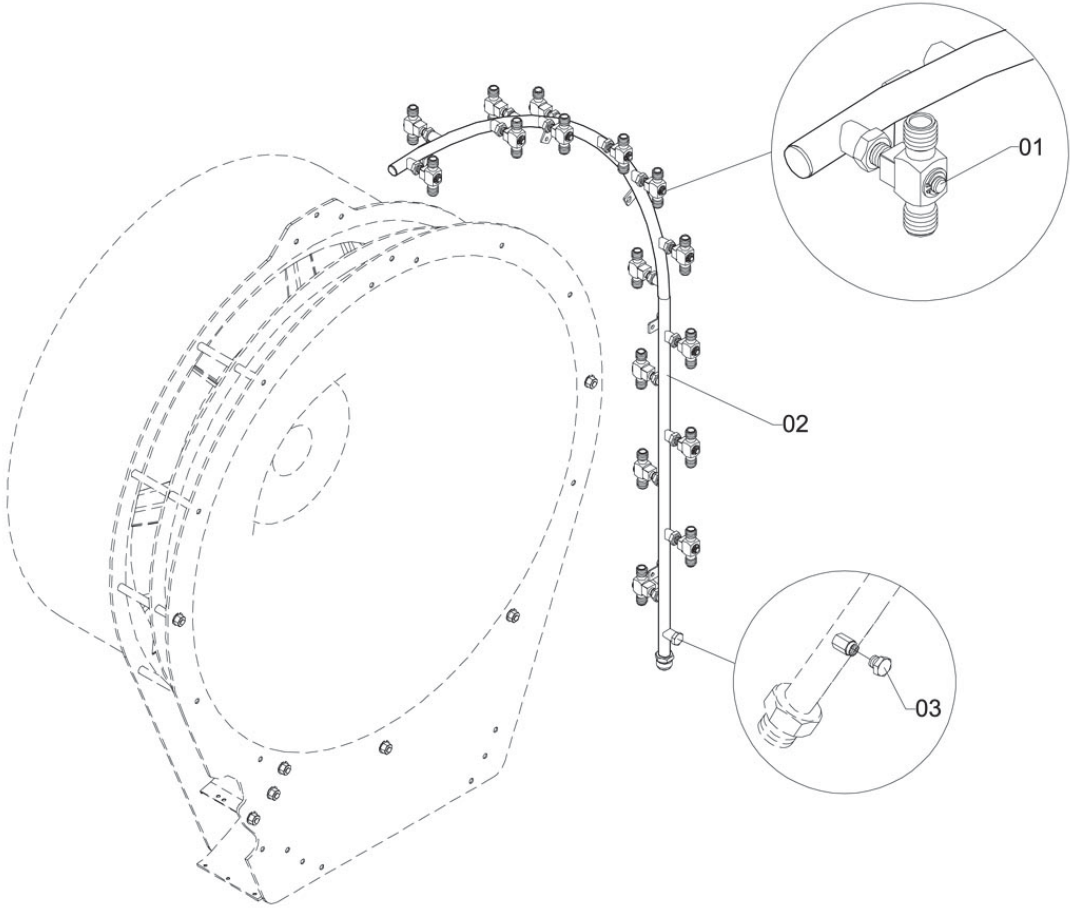


DF-65

Item	CODE	DESCRIPTION	Qty.
00	293019	Lower Swirl Core	1
01	473520	Lower Swirl core	1
02	290510	Swirl Core reinforcement arch	1
03	324681	Rivet Pop ω 4.8 x 16.6	4
04	290502	Swirl Core lateral reinforcement	2
05	204750	Stud bolt 3/8" x 245	2
06	354464	Nut parlock 3/8" - 16 UNC	4

Item	CODE	DESCRIPTION	Qty.

LEFT BRANCH FOR 18 NOZZLES

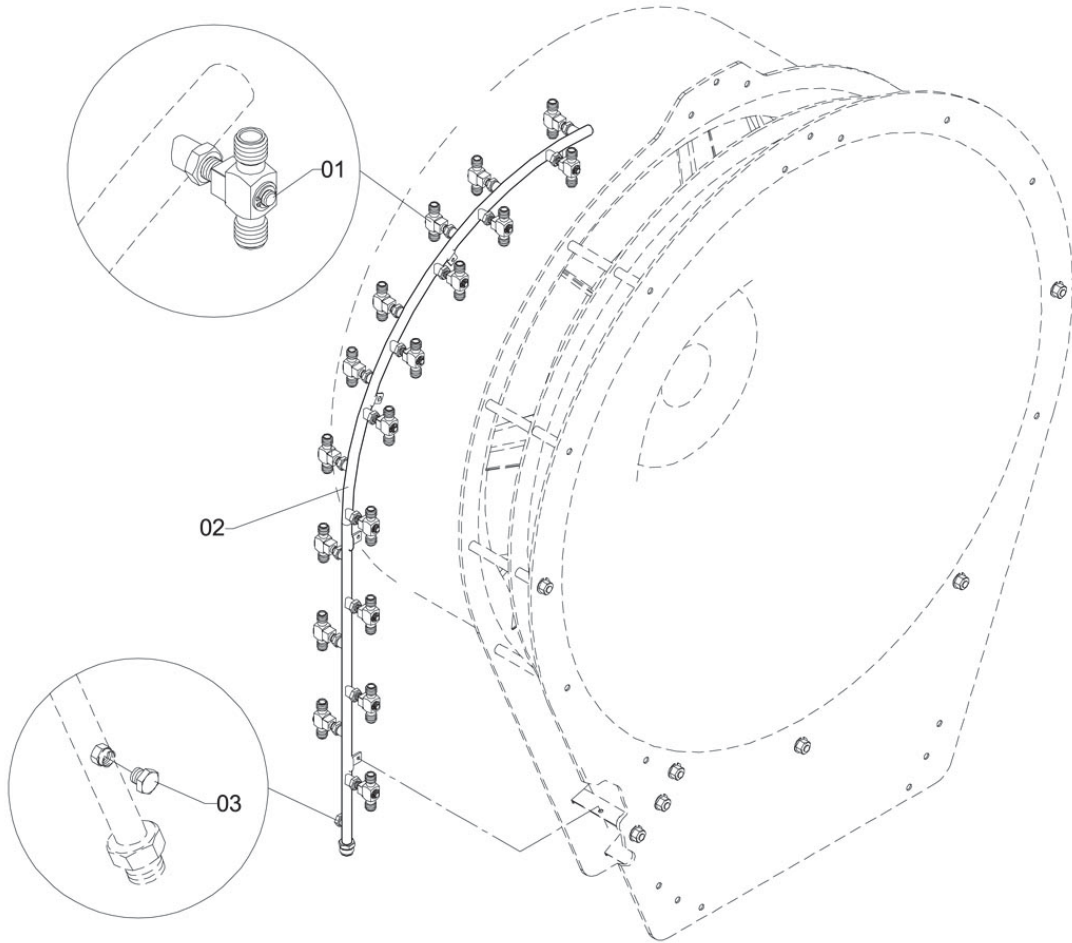


DF-68

Item	CODE	DESCRIPTION	Qty.
00	389072	Left branch for 18 nozzles	1
01	340802	Double nozzle holder	18
02	564179	Left nozzle branch	1
03	555680	Plug 1/4" BSP	1

Item	CODE	DESCRIPTION	Qty.

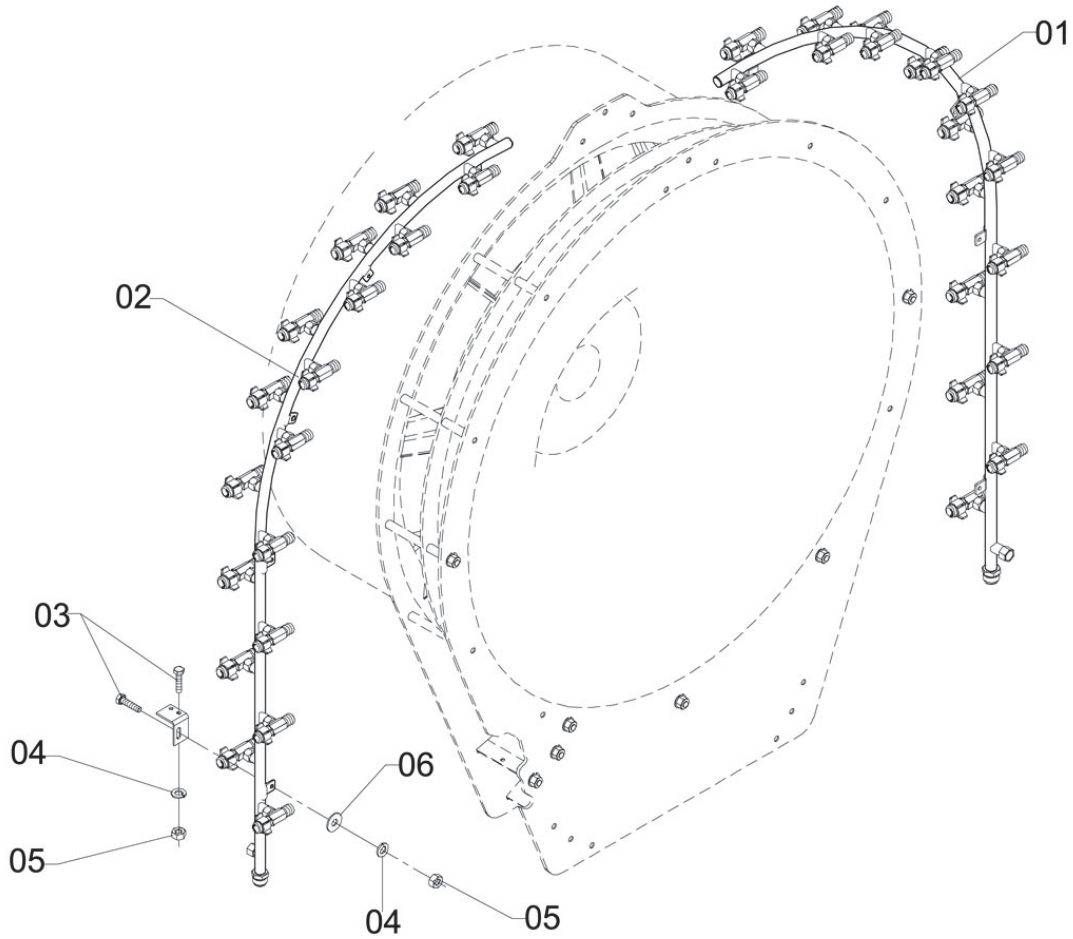
RIGHT BRANCH FOR 18 NOZZLES



DF-69

Item	CODE	DESCRIPTION	Qty.	Item	CODE	DESCRIPTION	Qty.
00	389064	Right branch for 18 nozzles	1				
01	340802	Double nozzle holder	18				
02	564153	Right nozzle branch	1				
03	555680	Plug 1/4" BSP	1				

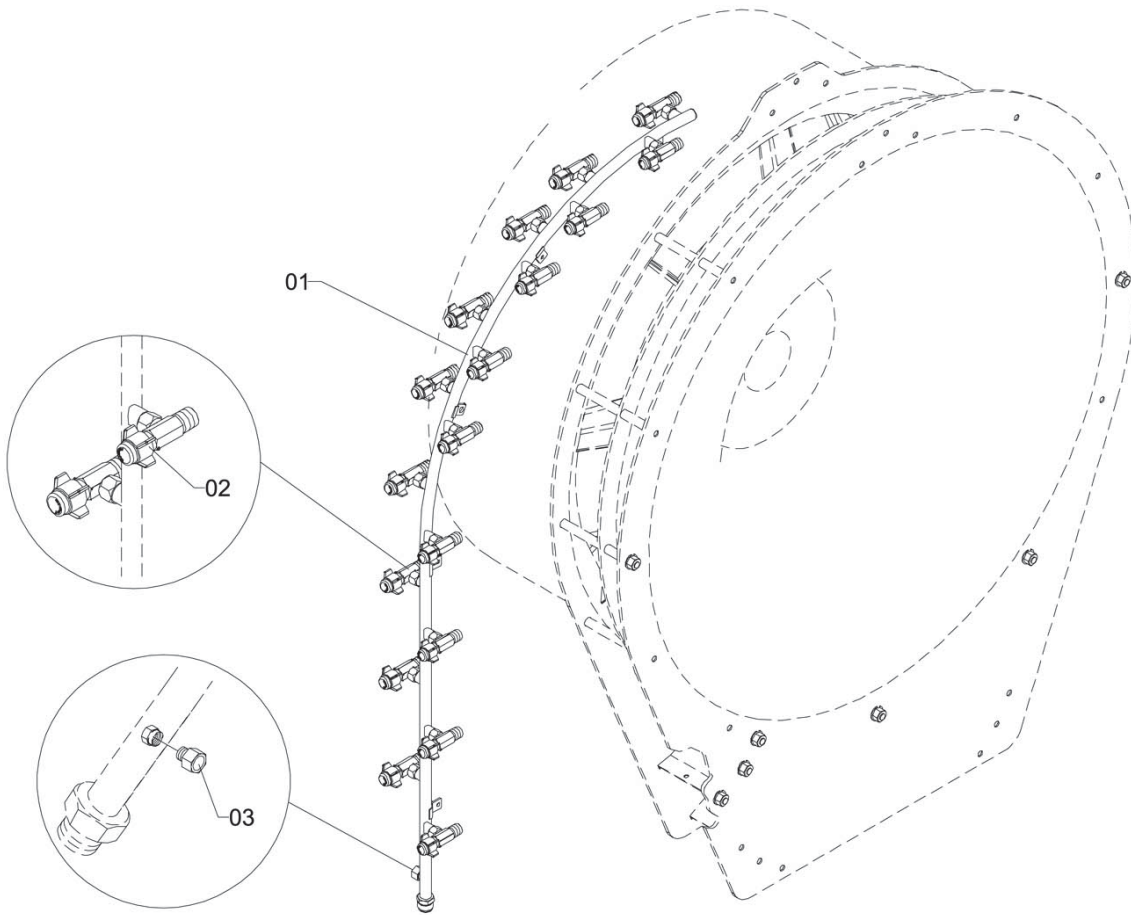
BRANCHES WITH 19 VALVES



DF-81

Item	CODE	DESCRIPTION	Qty.	Item	CODE	DESCRIPTION	Qty.
00	295840	Branches with 19 valves	1				
01	388793	Left branch for 18 nozzles	1				
02	388819	Right branch for 18 nozzles	1				
03	295311	Screw M6 x 25 x 1,00 (stainless)	10				
04	521666	Lock washer \varnothing 5 - stainless steel	10				
05	730309	Hex. nut M6 x 1.00 - Steel	10				
06	712554	Flat washer 70 x 180 x 12,4	8				

RIGHT BRANCH FOR 18 NOZZLES

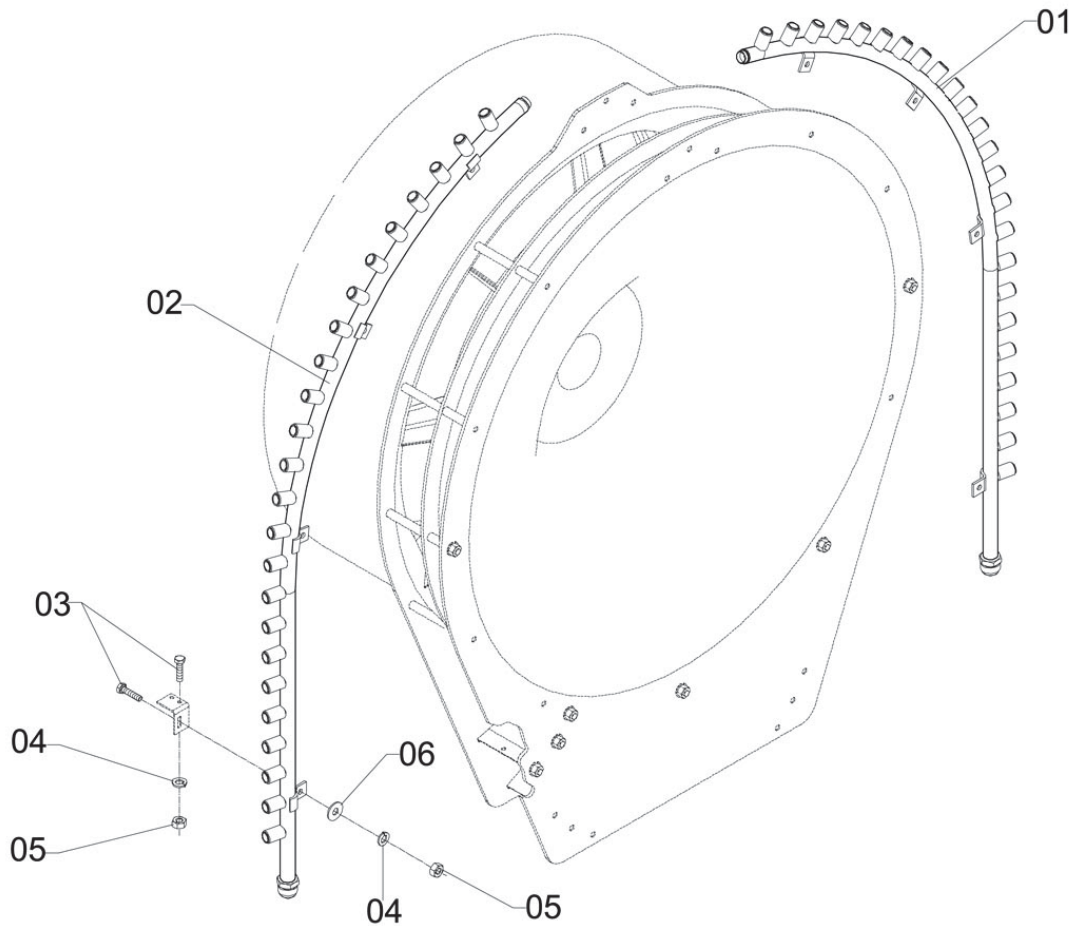


DF-82

Item	CODE	DESCRIPTION	Qty.
00	388819	Right branch for 18 nozzles	1
01	237792	Right nozzle branch	1
02	429332	Nozzle valve assembly	18
03	037754	Plug 9/16" - 18 UNF	1

Item	CODE	DESCRIPTION	Qty.

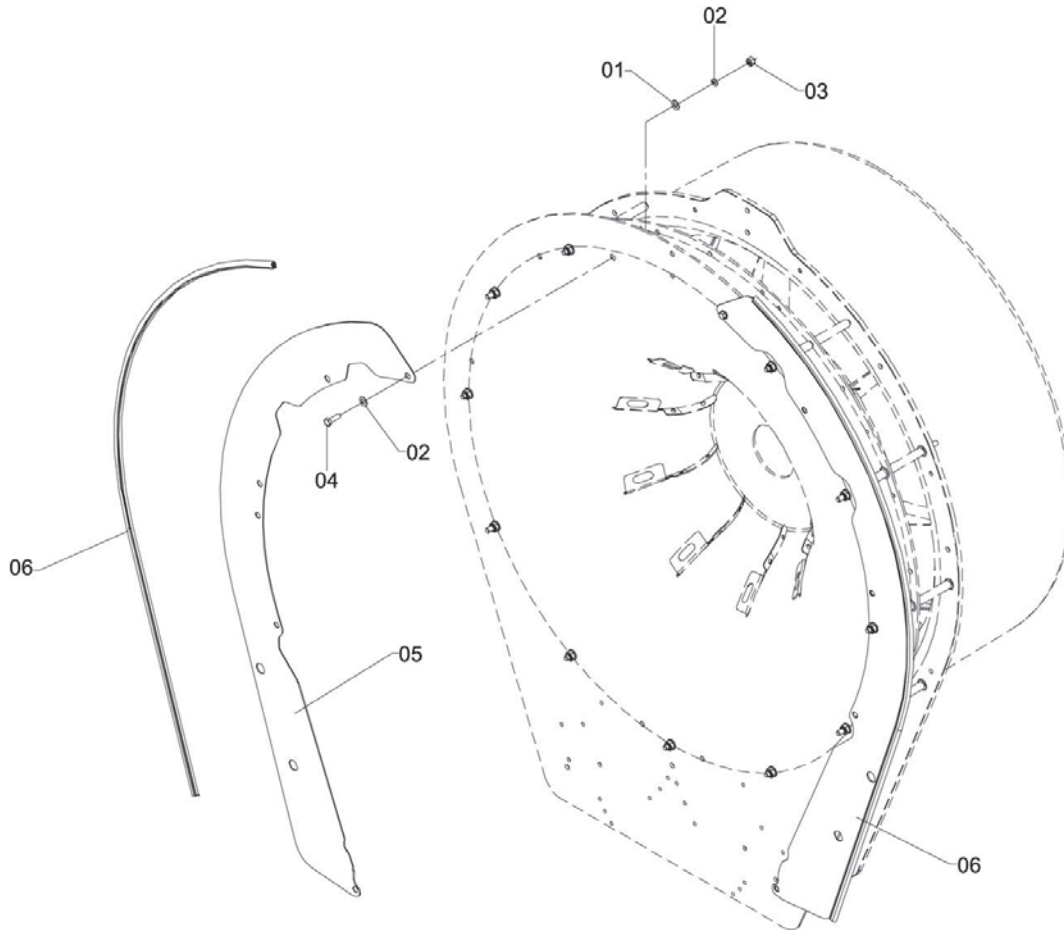
BRANCHES WITH FIXED 24 NOZZLE-HOLDERS



DF-70

Item	CODE	DESCRIPTION	Qty.	Item	CODE	DESCRIPTION	Qty.
00	295824	Branches with fixed 24 nozzle-holders	1				
01	979971	Left nozzle branch	1				
02	979963	Right nozzle branch	1				
03	295311	Screw M6 x 25 x 1,00 (stainless)	10				
04	521666	Lock washer $\varnothing 5$ - stainless steel	10				
05	730309	Hex. nut M6 x 1.00 - Steel	10				
06	712554	Flat washer 70 x 180 x 12,4	8				

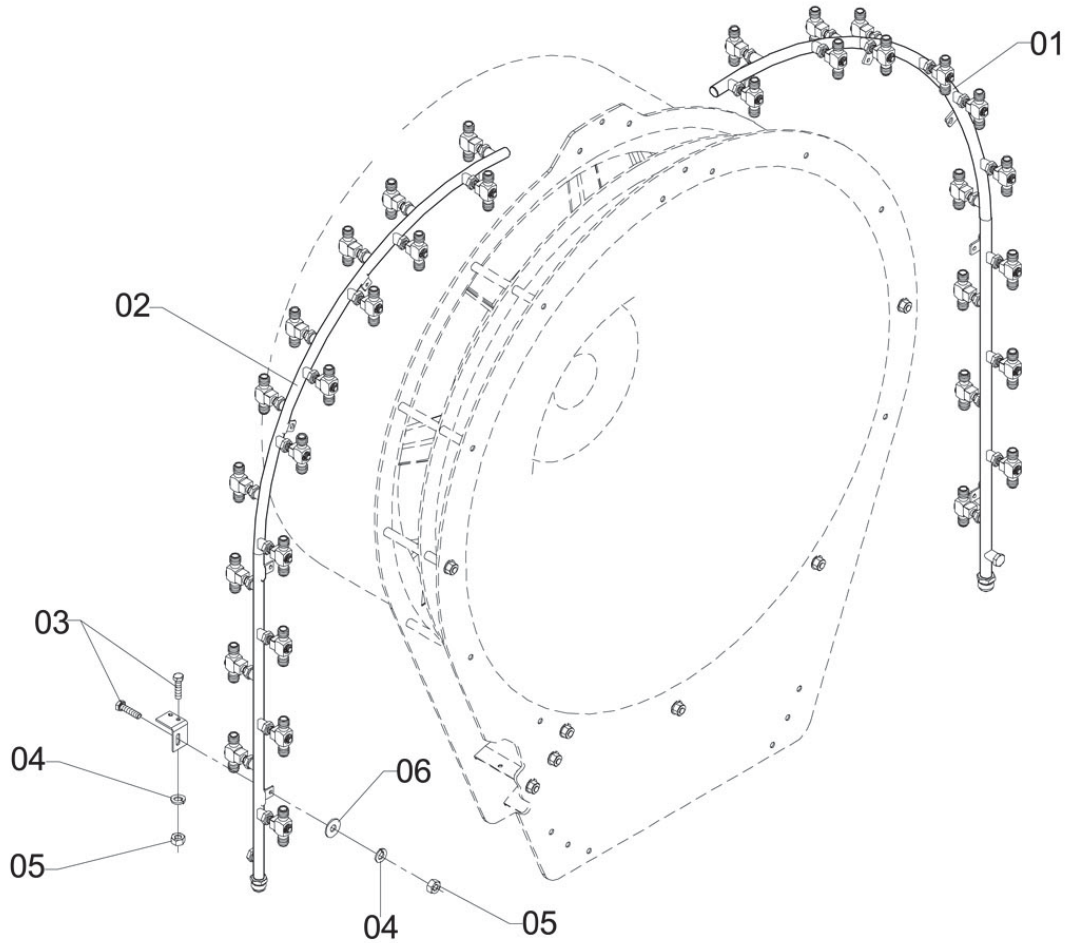
BRANCH PROTECTION AND COMPLEMENTS



DF-93

Item	CODE	DESCRIPTION	Qty.	Item	CODE	DESCRIPTION	Qty.
00	1193130	Branch protection and complements	1				
01	519736	Lock washer ω	2				
02	624130	Flat washer \sqcup 10,5 x \sqcup 18,0 x 1,6 a30	4				
03	810770	Hex. nut M8 x 1.25	2				
04	829382	Hex head bolt M8 x 25 x 1.25	2				
05	1193029	Branch protection flange	2				
06	1193129	Rubber profile - 1540	2				

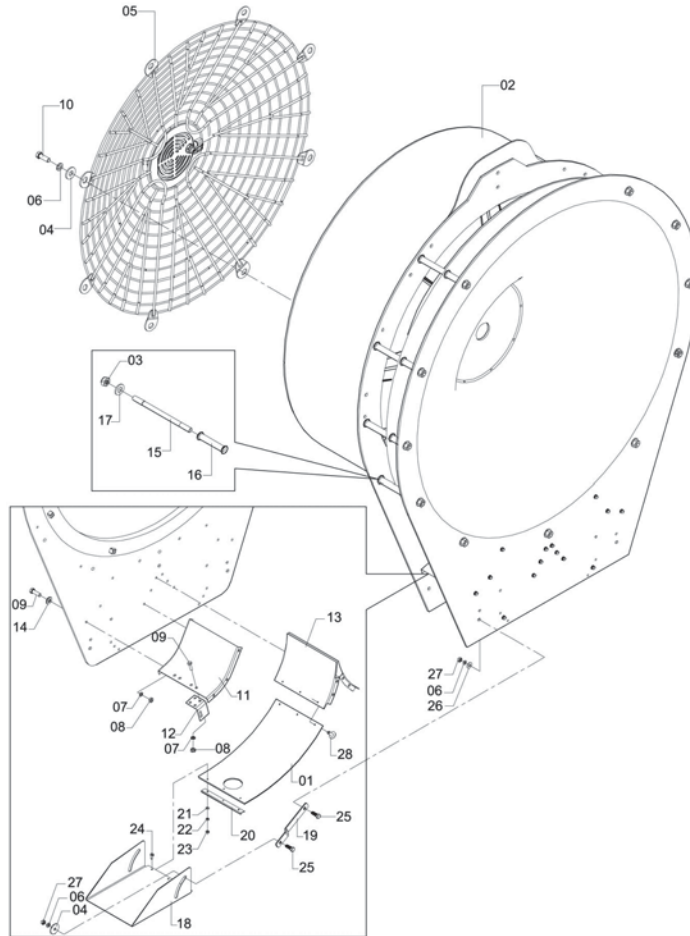
BRANCH W 18 DOUBLE NOZZLE HOLDERS



DF-67

Item	CODE	DESCRIPTION	Qty.	Item	CODE	DESCRIPTION	Qty.
00	295857	Branch w 18 double nozzle holders	1				
01	389072	Left branch for 18 nozzles	1				
02	389064	Right branch for 18 nozzles	1				
03	295311	Screw M6 x 25 x 1,00 (stainless)	10				
04	521666	Lock washer \varnothing 5 - stainless steel	10				
05	730309	Hex. nut M6 x 1.00 - Steel	10				
06	712554	Flat washer 70 x 180 x 12,4	8				

DEFLECTOR 2P AND COMPLEMENTS

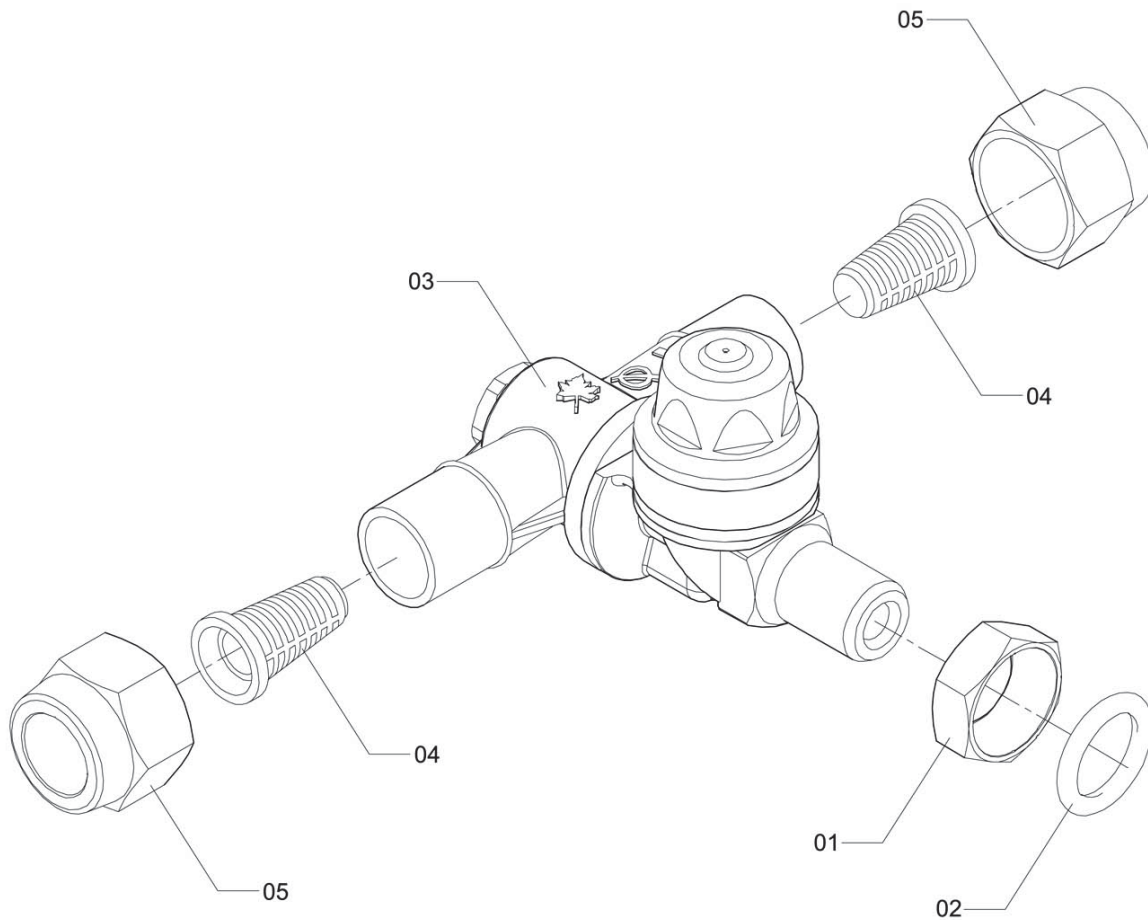


DF-56

Item	CODE	DESCRIPTION	Qty.	Item	CODE	DESCRIPTION	Qty.
00	285098	Deflector 2P and complements	1				
01	284760	Plate 190 x 430	2				
02	318576	Deflector- 2P (VA)	1				
03	354464	Nut parlock 3/8" - 16 UNC	4				
04	420281	Flat washer \varnothing 8,2 x \varnothing 35 x 3	10				
05	430942	Guard screen - assembly	1				
06	519736	Lock washer \varnothing	12				
07	816561	Lock washer 6 MM - stainless steel	24				
08	730309	Hex. nut M6 x 1,00 - Steel	24				
09	295311	Screw M6 x 25 x 1,00 (stainless)	24				
10	820282	Bolt \varnothing 5/6" - 18 UNC x 1.3/4"	8				
11	237974	Vane 2	2				
12	243436	Nozzle branch bracket	2				
13	243485	Vane 1	2				
14	712554	Flat washer 70 x 180 x 12,4	24				
15	327866	Stud bolt 3/8" - 16 UNC 145	2				
16	019414	Spacer bushing 91mm	2				
17	624130	Flat washer \varnothing 10,5 x \varnothing 18,0 x 1,6 a30	4				
18	734640	Deflector vane	1				
19	427971	Support body	2				
20	285080	Reinforcement 18 X 170	1				
21	508515	Flat washer \varnothing 4,3 x 10,2 x 0,8 - stainless steel	3				
22	520700	Lock washer \varnothing 4.3 x 7.1 x 1	3				
23	551523	Hex. nut M-4 x 0.7 stainless steel	3				
24	934273	Bolt M-4 x 15 x 0,7 mm	3				
25	829382	Hex head bolt M8 x 25 x 1.25	4				
26	881276	Flat washer \varnothing 8.7 x 20 x 1.2 - stainless steel	2				
27	221648	Nut M8 x 1.25 - stainless steel	4				
28	519769	Rivet Pop - \varnothing 4.0 x 10.2	6				

Controlled copy – Distribution and reproduction prohibited

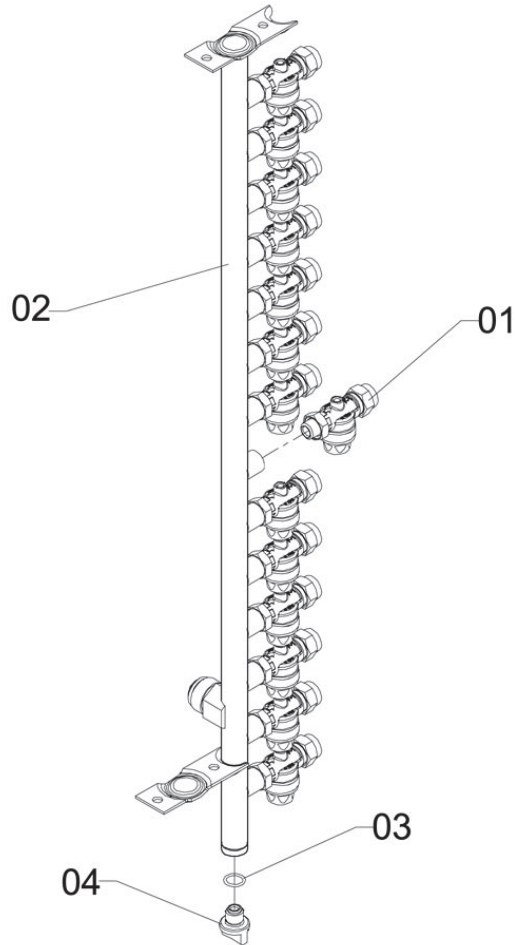
BIJET NOZZLE HOLDER WITH NON-DRIP VALVE



BC-91

Item	CODE	DESCRIPTION	Qty.	Item	CODE	DESCRIPTION	Qty.
00	720937	Bijet nozzle holder with non-drip valve	1				
01	1195947	Nondrip nozzle-holder nut - 1/4" BSP	1				
02	411884	O-ring ORI - 111	1				
03	1196703	Nondrip nozzle-holder body - bijet	1				
04	1195948	Nozzle-holder - ag - mesh 25	2				
05	1197067	Nondrip nozzle-holder cap	2				

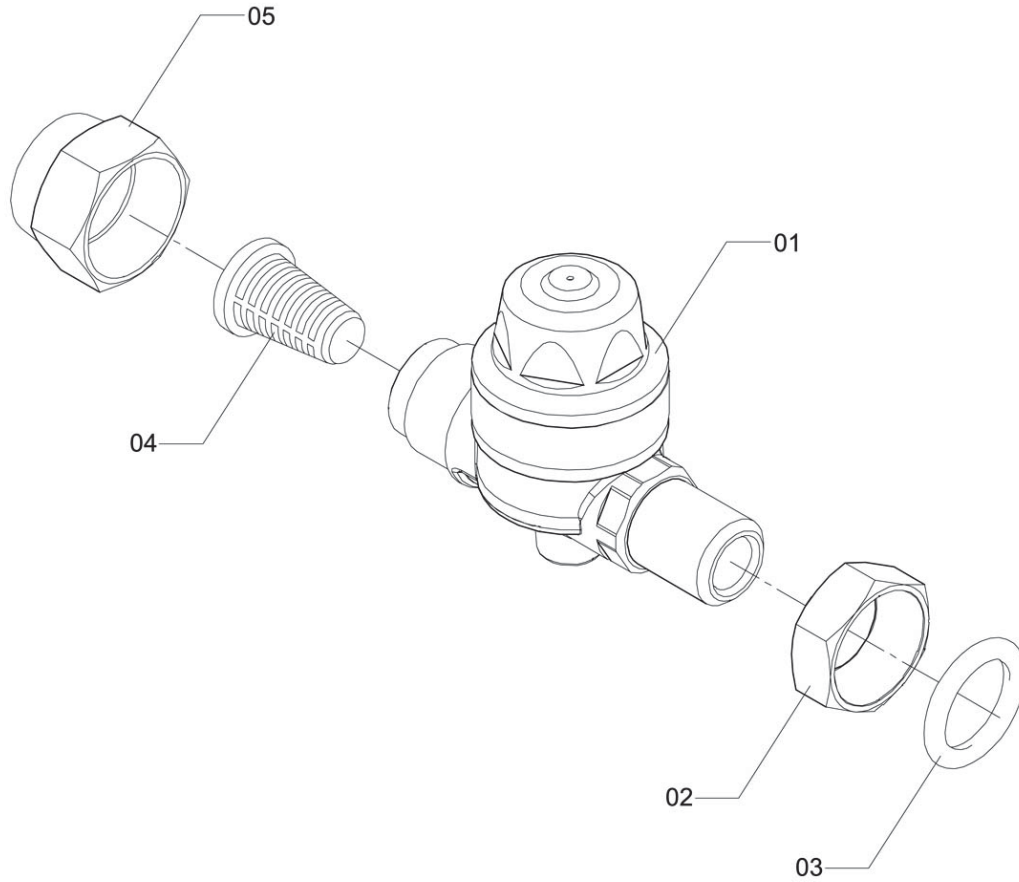
BRANCH ASSEMBLY - 14 NOZZLE HOLDERS



DF-104

Item	CODE	DESCRIPTION	Qty.	Item	CODE	DESCRIPTION	Qty.
00	1187833	Branch assembly - 14 nozzle holders	1				
01	1187821	Single nozzle holder with nondrip valve	14				
02	1187832	Branch - 14 PBF	1				
03	901405	Packing ring ORI-014	1				
04	520775	Drain plug - 1/4" BSP	1				

SINGLE NOZZLE HOLDER WITH NONDRIP VALVE

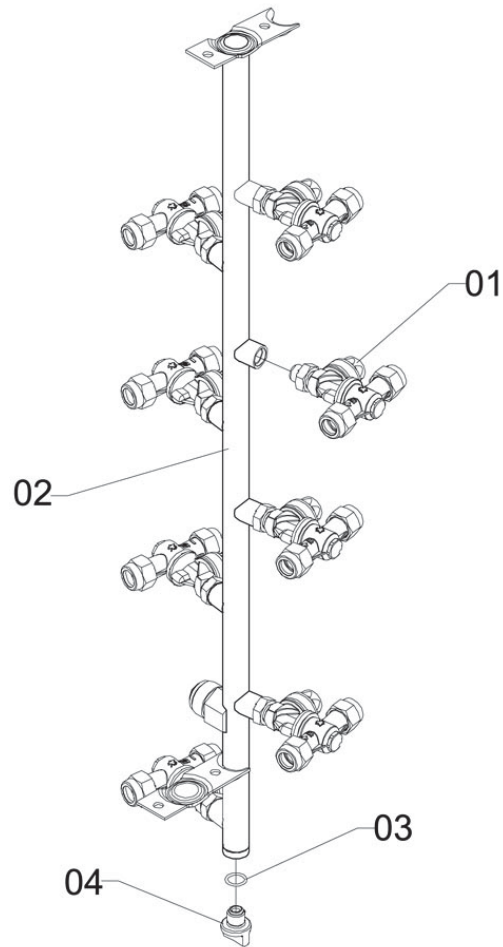


BC-92

Item	CODE	DESCRIPTION	Qty.
00	1187821	Single nozzle holder with nondrip valve	1
01	1196689	Nozzle holder body - monojet	1
02	1195947	Nondrip nozzle-holder nut - 1/4" BSP	1
03	411884	O-ring ORI - 111	1
04	1195948	Nozzle-holder - ag - mesh 25	1
05	1195941	Nozzle-holder cap - 3/8" BSP	1

Item	CODE	DESCRIPTION	Qty.

BRANCH ASSEMBLY - 8 NOZZLE HOLDERS



DF-106

Item	CODE	DESCRIPTION	Qty.
00	1187834	Branch assembly - 8 nozzle holders	1
01	720937	Bijet nozzle holder with non-drip valve	8
02	563999	Upper volute branch tube	1
03	901405	Packing ring ORI-014	1
04	520775	Drain plug - 1/4" BSP	1

Item	CODE	DESCRIPTION	Qty.

STICKER: DRAWBAR ADJUSTMENT (SPANISH)

01

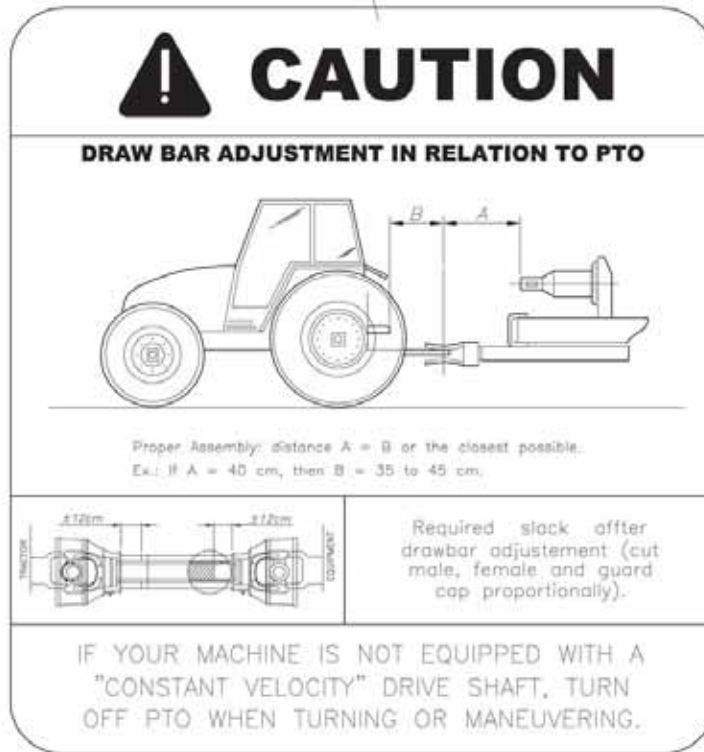


ADS-141

Item	CODE	DESCRIPTION	Qty.	Item	CODE	DESCRIPTION	Qty.
00	219717	Sticker: Drawbar adjustment (Spanish)	1				
01	219717	Sticker: Drawbar adjustment (Spanish)	1				

STICKER: DRAWBAR ADJUSTMENT (ENGLISH)

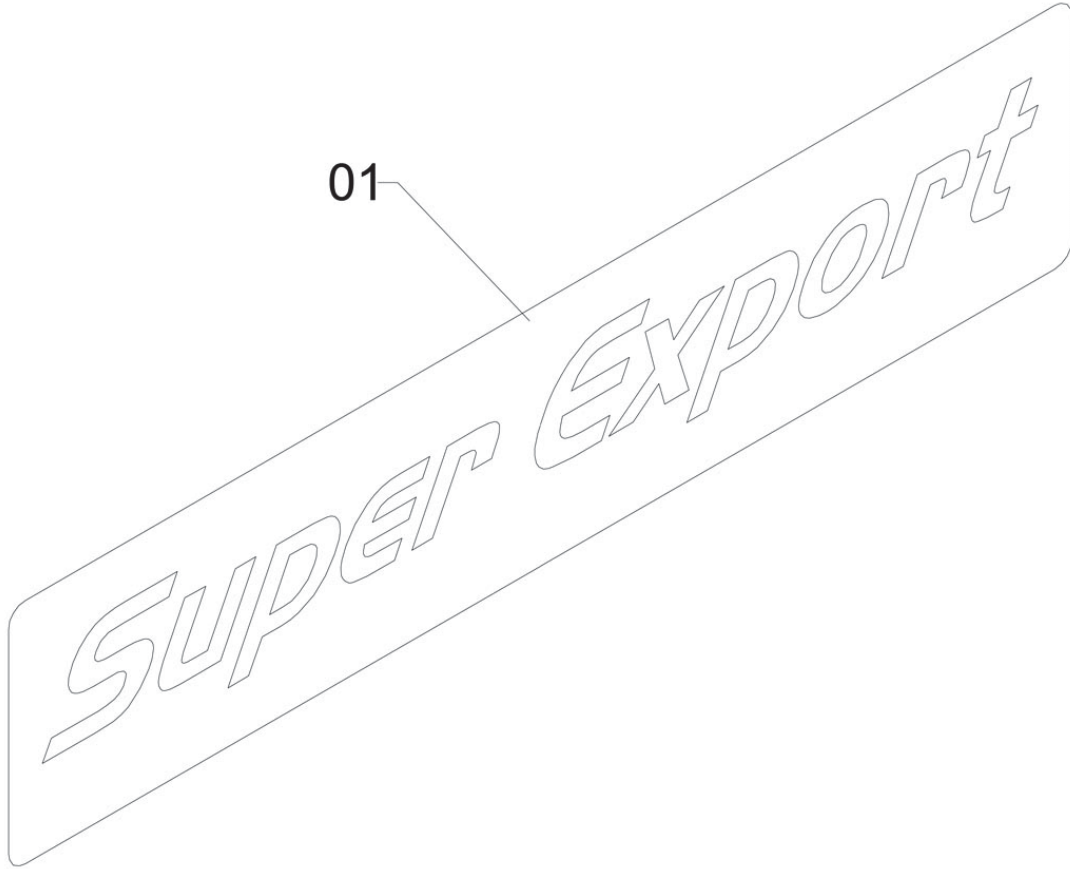
01



ADS-142

Item	CODE	DESCRIPTION	Qty.	Item	CODE	DESCRIPTION	Qty.
00	219709	Sticker: Drawbar adjustment (English)	1				
01	219709	Sticker: Drawbar adjustment (English)	1				

STICKER: (SUPER EXPORT)



ADS-130

Item	CODE	DESCRIPTION	Qty.
00	1179655	Sticker: (Super Export)	1
01	1179655	Sticker: (Super Export)	2

Item	CODE	DESCRIPTION	Qty.

STICKER: DRAWBAR ADJUSTMENT (PORTUGUE)

01



CUIDADO

REGULAGEM DO PONTO DE ENGATE DO TRATOR EM RELAÇÃO A TOMADA DE FORÇA.



Montagem Ideal, distância A=B ou mais próxima possível.
Ex.: Se A=40cm, B=35 a 45cm.
Cardan Homocinético: Montagem B: menor possível (Barra de tração recolhida "0");
Montagem A: maior possível (peça C toda montada para fora).



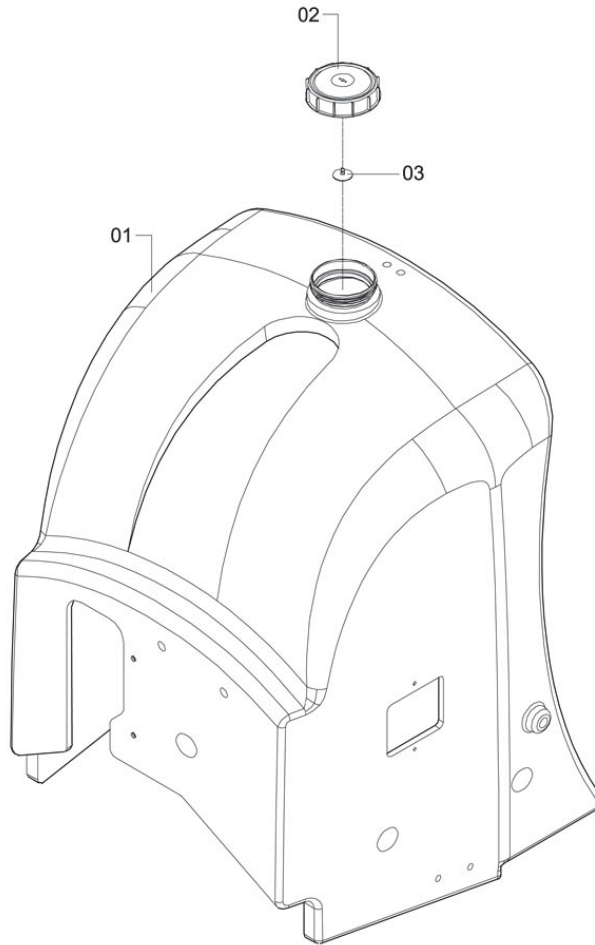
Folga necessária após a regulagem da barra de tração (cortar o macho, a fêmea e a capa protetora proporcionalmente).

CASO SUA MÁQUINA NÃO ESTEJA EQUIPADA COM CARDAN HOMOCINÉTICO, DESLIGUE A TOMADA DE FORÇA AO FAZER MANOBRAS OU CURVAS.

ADS-139

Item	CODE	DESCRIPTION	Qty.	Item	CODE	DESCRIPTION	Qty.
00	728113	Sticker: Drawbar adjustment (Portugue)	1				
01	728113	Sticker: Drawbar adjustment (Portugue)	1				

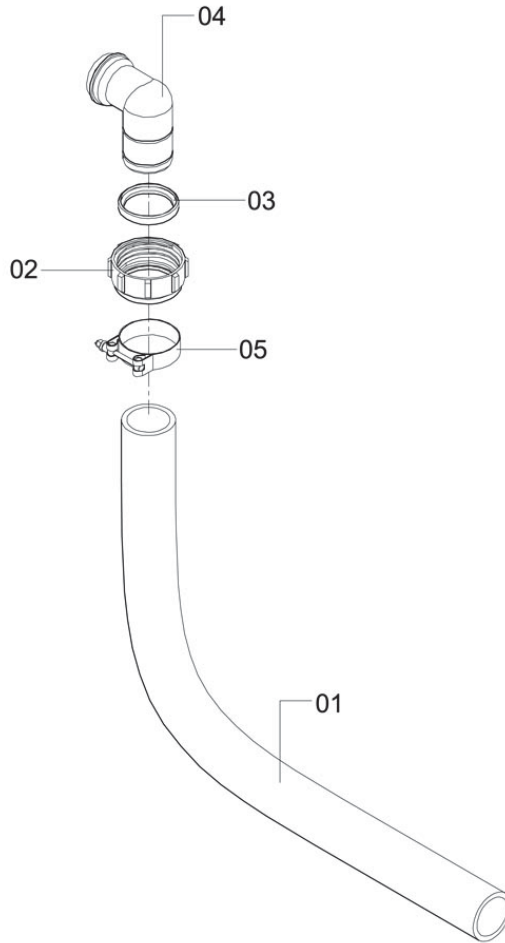
HOOD WITH 90-LITER TANK AND COVER



C-392

Item	CODE	DESCRIPTION	Qty.	Item	CODE	DESCRIPTION	Qty.
00	268755	Hood with 90-liter tank and cover	1				
01	248153	Hood with 90-liter tank	1				
02	762856	Cover ш 130	1				
03	560573	Diaphragm	1				

HOSE - PUMP / FILTER



CD-717

Item	CODE	DESCRIPTION	Qty.
00	283846	Hose - Pump / Filter	1
01	095885	Hose SAE 100 R4 - 32 x 560	1
02	005900	Coupling nut filter	1
03	005918	Locking ring	1
04	725135	Curve hose fitting 2" x 90°	1
05	787309	Clamp 5765	1

Item	CODE	DESCRIPTION	Qty.

