

Arbus 2000 Safira

English version

EDITION - 12/2014

CODE - 0

Parts catalog



MEQUINAS AGRICOLAS JACTO S.A.

Rua Dr. Luiz Miranda, 1650

17580-000 - Pompéia - SP - Brasil

Tel.: +55 14 3405-2100 - Fax: +55 14 3452 1306

E-mail: export@jacto.com.br

Home page: <http://www.jacto.com.br>

ARBUS 2000

EQUIPMENT	PAGE
Arbus 2000 Safira.....	4

Arbus 2000 Safira (Edition: 2014/12)

ENTIRE ASSEMBLIES	PAGE
ACCESSORIES BOX	
ACCESSORIES BOX	34
ACTUATOR HOLDER ASSEMBLY	119
ASSEMBLY - COMBINATION WRENCH + SCREW WRENCH (FOR EXPORT)	117
CAP 90 X 710 ASSEMBLY	120
CLIP PLATE	118
ELECTRIC PANEL EC-4400	125
FILLER UNIT JP-150 WITHOUT HOSE	32
HOSE 5/8" WITH FITTING 1.1/4" C	122
HOSE 5/8" X 10000 WITH NOZZLE AND NUT	124
JACTO FILLER UNIT FOR 150 L/MIN WITH HOSE 10-METERS	123
JACTO FILLER UNIT FOR 150 L/MIN WITH HOSE 5-METERS	121
CHEMICAL CIRCUIT AND COMPLEMENTS	
ACTUATOR	105
ASSEMBLY LEVER	96
CABLE DIRECTIONAL VALVE (0-40 KGF/CMl)	24
CHEMICAL CIRCUIT	30
CHEMICAL CONTAINER RINSE NOZZLE	100
CHEMICAL CONTAINER RINSE NOZZLE KIT	98
CHEMICAL CONTAINER RINSE NOZZLE ROD	101
DIRECTIONAL VALVE	99
FLEXIBLE	107
FLEXIBLE 3/4" BSP X 600	103
FLEXIBLE COUPLING 9	110
FLEXIBLE HOSE 3/4" BSP X 700	104
HOSE - CENTRAL BRANCH / VALVE	106
HOSE - CONTROL / TUBING	112
HOSE - FILTER / TANK	102
HOSE FOR ONE-WAY DEFLECTOR - SENSOR FLOW	108
HOSE 1.1/4" X 1600 C	111
ITALIAN LID	97
MECHANICAL AGITATOR 2005 - 02	113
PRESSURE HOSE 1" BSP X 450	109
TANK 2000 LITER AND COMPLEMENTS	26
TANK 2000-LITER	28
COWLING AND COMPLEMENTS	
3-WAY VALVE - MODEL B	159
FRONT HOOD ASSEMBLY	54
HOOD WITH 90-LITER TANK AND COVER	157
HOSE - FILTER / COWLING	7
HOSE - PUMP / FILTER	160
SUCTION FILTER WITH VALVE 200 L/MIN	158
ELECTRIC CIRCUIT AND COMPLEMENTS	
50 MESH IN-LINE FILTER	133
CONNECTION CABLE	126
ELECTRIC CIRCUIT	36
ELECTRIC MODULE	131
ELECTRIC VALVE	38
FLEXIBLE 3/4 X 190 WITH COUPLING END 90°	134
FLEXIBLE 3/4 X 370 WITH COUPLING END 90° X 0° ER.	132
POWER GENERATOR - V	127
SENSOR HOUSING	129
TENSION GENERATOR BEARING ASSEMBLY	128
TREE SENSOR VII	130
OPTIONAL ITEMS	
DISKS SET	150
GUN KIT WITH 12-M HOSE AND QUICK FITTING	148
SPRAY GUN FOR CITRUS	149
PTO SHAFT Y COMPLEMENTS	
PTO SHAFT	114
PTO SHAFT 710 (Z= 6 X 35)	115
WIDE ANGLE CV PTO SHAFT - 1110 Z= 8 X 35	116

Arbus 2000 Safira (Edition: 2014/12)

Continuation

ENTIRE ASSEMBLIES	PAGE
PUMP AND COMPLEMENTS	
PUMP JP-150 ASSEMBLY	48
PUMP JP-190 ASSEMBLY	50
SPRAY PUMP JP-150 AND COMPLEMENTS	44
SPRAY PUMP JP-190 AND COMPLEMENTS	46
TIGHTENING PULLEY ASSEMBLY 78-1A (SHAFT \varnothing 15 X 50,5)	146
VALVE FOR PUMP \varnothing 24 - MODEL "D"	147
SPRAY APPLICATION ASSEMBLY	
BIJET BRANCH - AG 3P - 13 NOZZLE HOLDERS	81
BIJET NOZZLE HOLDER WITH NON-DRIP VALVE	93
BRANCH ASSEMBLY - 2P RIGHT - 9 NOZZLE HOLDERS	74
BRANCH ASSEMBLY - 2P LEFT - 9 NOZZLE HOLDERS	73
BRANCH ASSEMBLY - 3P LEFT - 13 BIJET NOZZLE HOLDERS	82
BRANCH ASSEMBLY - 3P RIGHT - 13 NOZZLE HOLDERS	83
BRANCH ASSEMBLY - 8 NOZZLE HOLDERS	92
BRANCH WITH 9 BIJET NOZZLE HOLDERS FOR DEFLECTOR 2P	75
BRANCHES WITH 13 BIJET NOZZLE HOLDER FOR 3P DEFLECTOR	84
BRANCHES WITH 9 DOUBLE NOZZLE HOLDER AG - 2P	72
BRANCHES WITH FIXED 12 NOZZLE-HOLDERS FOR 2P DEFLECTOR	78
DEFLECTOR - 2P	68
DEFLECTOR 2P AND COMPLEMENTS	14
DEFLECTOR- 3P	71
DEFLECTOR 3P AND COMPLEMENTS	70
DOUBLE NOZZLE HOLDER	89
GUARD SCREEN - ASSEMBLY	69
LEFT BRANCH FOR 12 NOZZLES	80
LEFT BRANCH FOR 13 NOZZLES	86
LOWER VANE ASSEMBLY 3P LOW	95
NOZZLE VALVE ASSEMBLY	91
ONE-WAY VOLUTE DEFLECTOR (3P-LOW)	16
RIGHT BRANCH ASSEMBLY - 9 NOZZLES	77
RIGHT BRANCH FOR 12 NOZZLES	79
RIGHT BRANCH FOR 13 NOZZLES	85
RIGHT NOZZLE BRANCH (9 NOZZLES)	76
SIDE GUARD ASSEMBLY - 2P	66
SIDE GUARD ASSEMBLY - 3P	67
SMALL NOZZLE GRID ASSEMBLY	94
UPPER SWIRL CORE (ARBUS 2000)	20
UPPER SWIRL CORE ARBUS 2000	22
UPPER SWIRL CORE EXPORT WITH 8 NOZZLE HOLDERS - BIJET AG	87
UPPER VANE - ASSEMBLY	18
UPPER VOLUTE BRANCH FOR 8 NOZZLES	88
UPPER VOLUTE BRANCH FOR 8 NOZZLES	90
STICKERS	
STICKER - "ANTI-FREEZING TEST OK"	151
STICKER (NAME - SAPHIRE)	152
STICKER (TRAILER ARBUS LINE)	52
STICKER: (ARBUS 2000)	156
STICKER: DRAWBAR ADJUSTMENT (ENGLISH)	154
STICKER: DRAWBAR ADJUSTMENT (PORTUGUE)	155
STICKER: DRAWBAR ADJUSTMENT (SPANISH)	153
TRAILER AND COMPLEMENTS	
ADJUSTABLE AXLE NR. 13	12
ARTICULATED HITCH ASSEMBLY - TRACTOR CLASS "I" ASAE	65
ASSEMBLY FOR 90-LITER HOOD SUPPORT	59
BUMPER FASTENING	61
COMPLEMENTS FOR EXPORT TRAILER	10
COMPLEMENTS FOR SENSOR SUPPORT	56
HOSE PROTECTOR	64
JACK NO. 10	57
PUMP PROTECTION	62
REAR BUMPER	63
REAR COLUMN AND COMPLEMENTS	58
TRAILER ASSEMBLY	8
TRAILER HITCH NO. 8	60

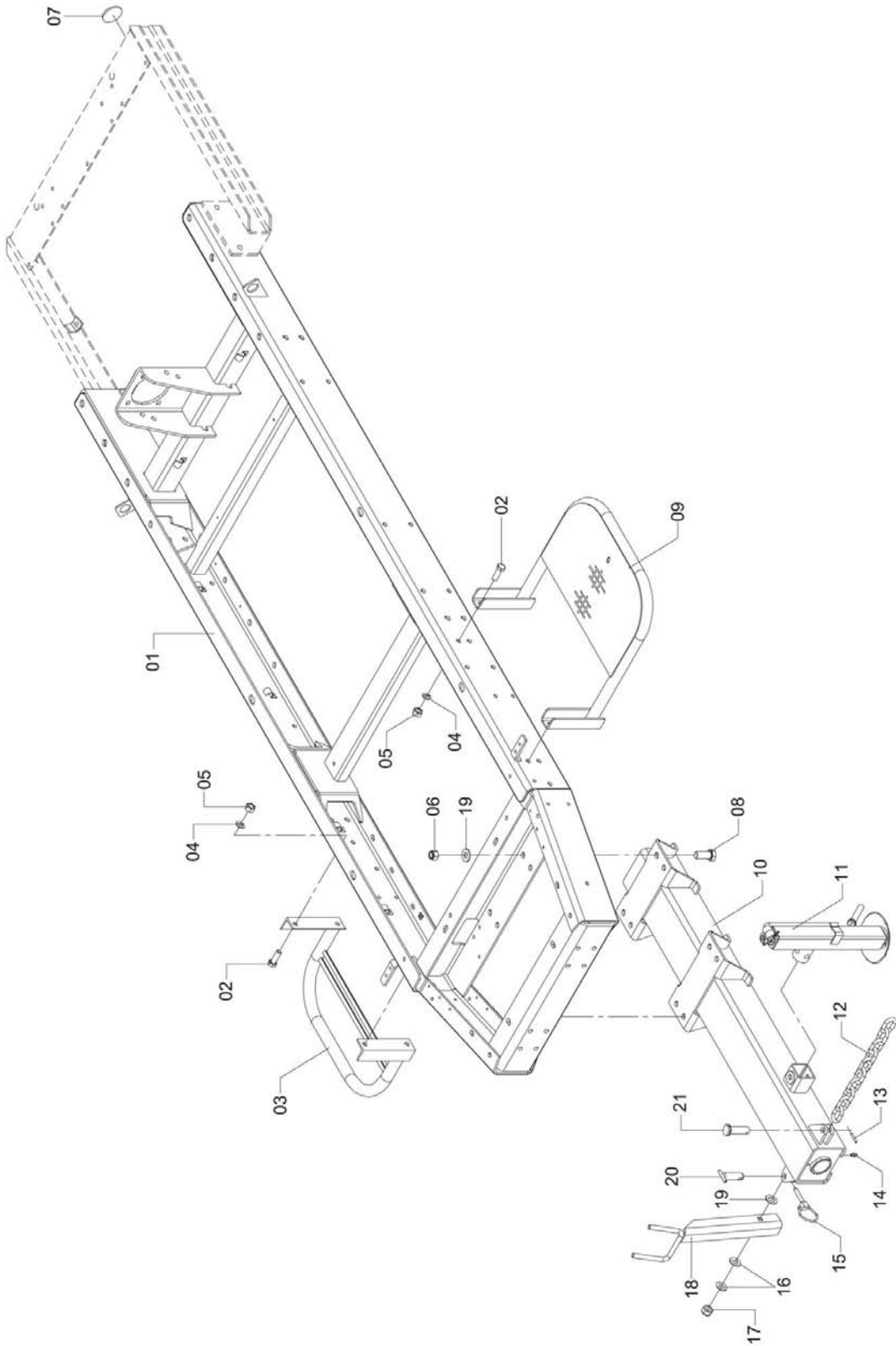
Controlled copy – Distribution and reproduction prohibited

**Arbus 2000 Safira
(Edition: 2014/12)**

Continuation

ENTIRE ASSEMBLIES	PAGE
TRANSMISSION AND COMPLEMENTS	40
DRIVE TRANSMISSION AND COMPLEMENTS	42
DRIVEN TRANSMISSION AND COMPLEMENTS	143
FAN ASSEMBLY	138
FAN BEARING FOR EXPORT W 92	137
FAN BEARING FOR SP EXP. W 85	135
FAN BEARING WITH 85 PULLEY	136
FAN BEARING WITH PULLEY 92	144
GROOVED HUB WITH HITCH	142
HOSE - GREASE NIPLE	140
PULLEY W 200-6-3V	141
PULLEY W 332-12-3V	139
PULLEY W 228-6-3V	145
SPACER 55	

TRAILER ASSEMBLY



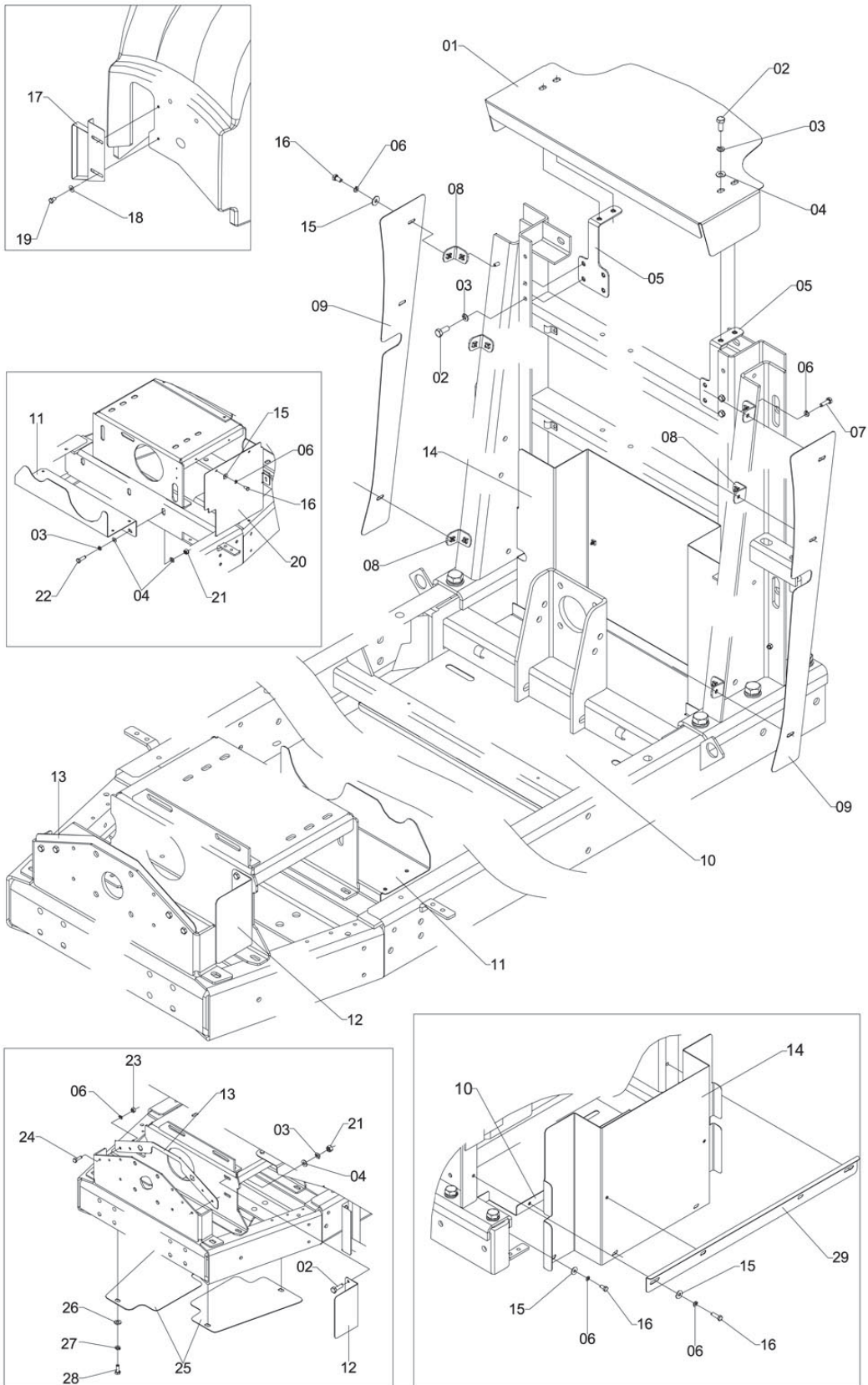
C-719

TRAILER ASSEMBLY

Continuation

Item	CODE	DESCRIPTION	Qty.	Item	CODE	DESCRIPTION	Qty.
00	288563	Trailer assembly	1				
01	076109	Chassi	1				
02	280925	Hex. head bolt M12 x 35 x 1,50	4				
03	724344	Filter guard rail	1				
04	209163	Lock washer M12	4				
05	427013	Nut ABTN - 1020 thread M12 x 1,5 CL8	4				
06	044107	Parlock hex. nut M16 x 1.50	8				
07	097360	Reflector	2				
08	984963	Hex. bolt M16 x 50 x 1.50	8				
09	749127	Platform	1				
10	233833	Trailer tongue	1				
11	431064	Jack no. 10	1				
12	118216	Chain 2200	1				
13	330076	Flexible pin \varnothing 4 x 16 (heavy)	1				
14	910463	Grease nipple 1/4" - 28 UNF	1				
15	330407	Universal lock pin 5/16"	1				
16	715979	Flat spring	2				
17	202663	Hex. nut 1/2" - 13 UNC	1				
18	556704	PTO shaft support	1				
19	881243	Flat washer 170 x 300 x 19	9				
20	118190	Chain fastening pin	1				
21	104836	Cylinder axle	1				

COMPLEMENTS FOR EXPORT TRAILER



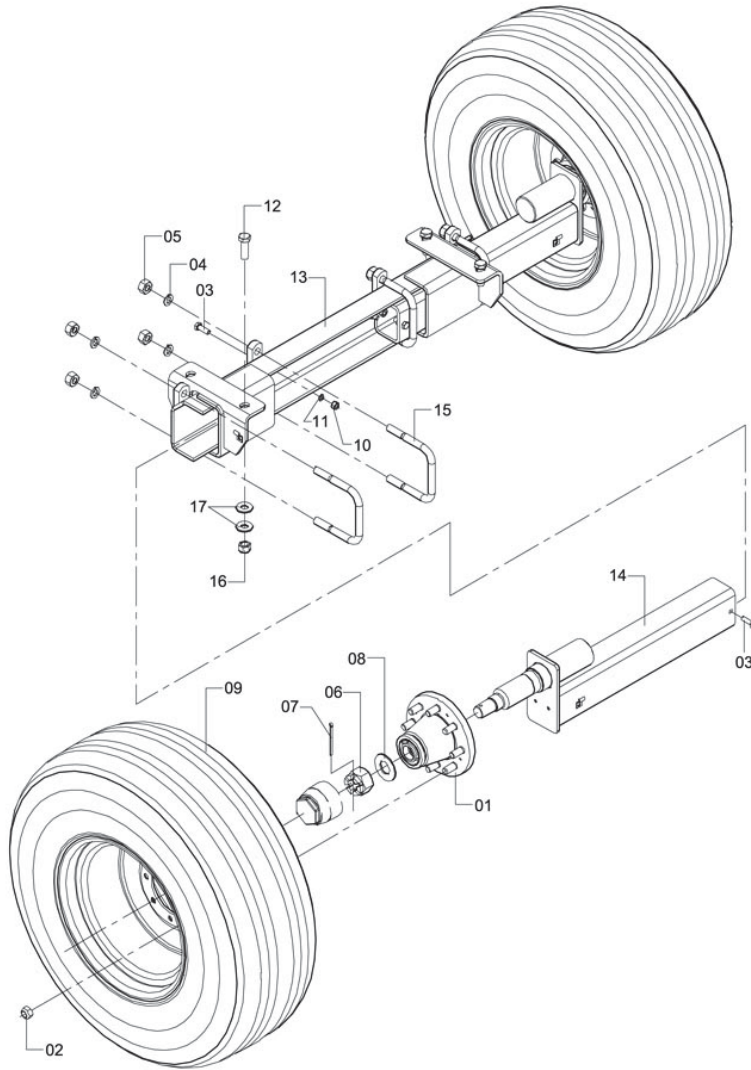
C-487

COMPLEMENTS FOR EXPORT TRAILER

Continuation

Item	CODE	DESCRIPTION	Qty.	Item	CODE	DESCRIPTION	Qty.
00	681999	Complements for Export Trailer	1				
01	1176313	Upper Pulley Guard	1				
02	829374	Hex. head bolt M8 x 20 x 1.25 -cl 8.8	10				
03	519736	Lock washer M8	13				
04	013433	Flat washer	12				
05	1176391	Upper Guard Support	2				
06	521666	Lock washer M6	31				
07	810697	Bolt M6 x 1 x 20	8				
08	1176768	Side Guard Support	6				
09	1176274	Side Guard	2				
10	1176278	Lower pulley Guard	1				
11	1176283	Lower Mixer Guard	1				
12	1166007	Lower guard - hood	1				
13	1176810	Front Bearing Base Complements	1				
14	1176280	Rear shield	1				
15	413468	Flat washer Ш6,8 X Ш18 X 1,2	21				
16	448019	Hex. head bolt M6 x 12	19				
17	1183783	Smaller Front Guard	1				
18	881276	Flat washer 87 x 200 x 12	2				
19	033696	Hex. head bolt M8 x 12 x 1.25	2				
20	1166215	Base guard - pump and shaft	1				
21	810770	Hex. nut M8 x 1.25	5				
22	829382	Hex head bolt M8 x 25 x 1.25	3				
23	810689	Hex. nut M6 x 1.00	6				
24	829507	Hex. head bolt M6 x 16 x 1.00	4				
25	1166240	Drawpole/shaft guard	2				
26	623884	Flat washer 10,5 x 21 x 2 - steel	4				
27	209395	Lock washer M10	4				
28	168070	Hex. head bolt M 10 x 25 x 1,25	4				
29	1176282	Rear support	1				

ADJUSTABLE AXLE NR. 13



EX-229

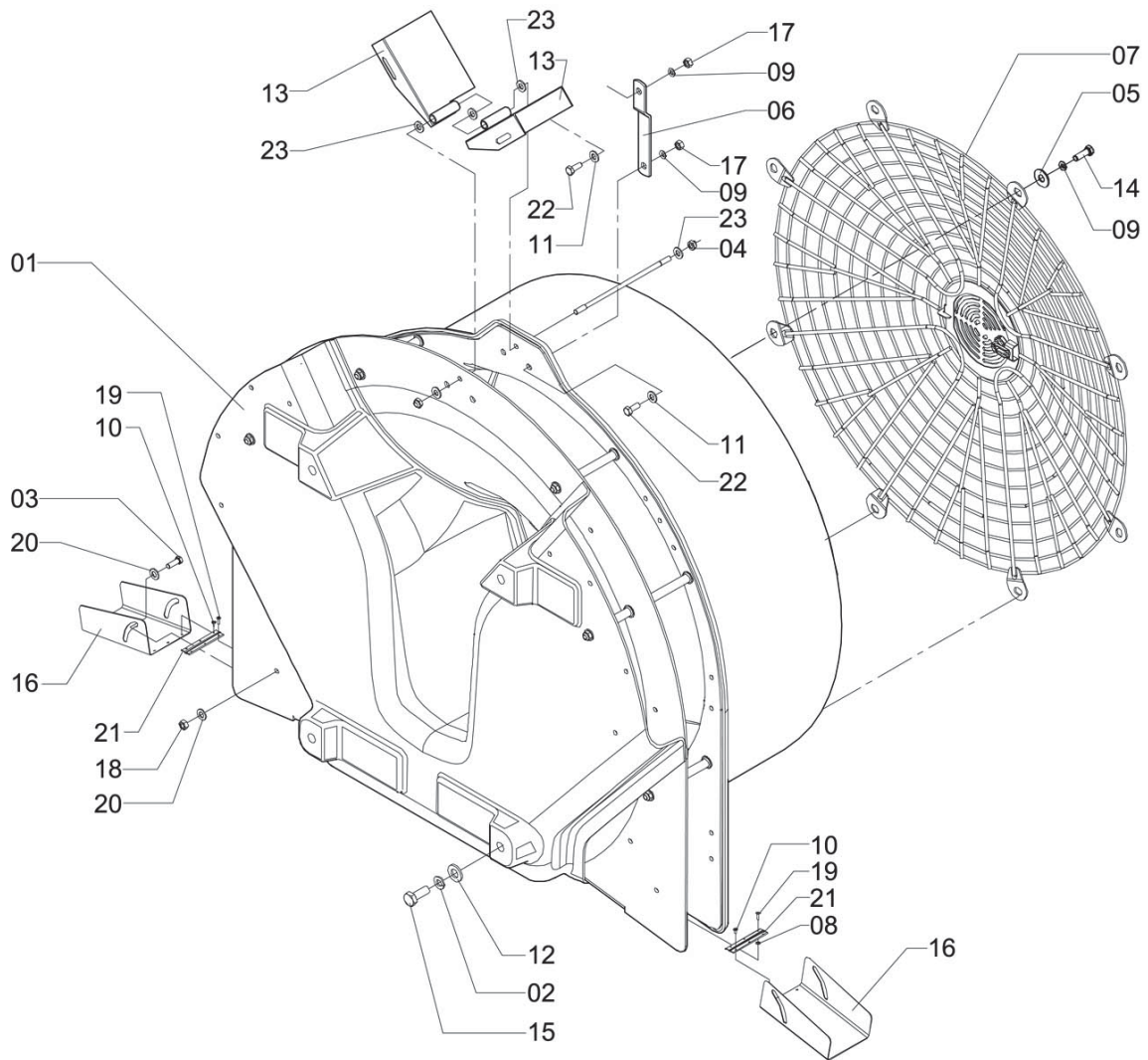
ADJUSTABLE AXLE NR. 13

Continuation

Item	CODE	DESCRIPTION	Qty.	Item	CODE	DESCRIPTION	Qty.
00	997551	Adjustable axle nr. 13	1				
01	063586	Wheel hub assembly - 8 holes	2				
02	700377	Lug nut \varnothing 5/8" - 18 UNF	16				
03	757559	Hex. bolt M10 x 30 x 1.25	4				
04	764142	Lock washer M16	8				
05	826297	Hex. nut M16 x 2	8				
06	831347	Castle nut M30 x 2"	2				
07	831354	Cotter pin \varnothing 6.30 x 50.8	2				
08	881334	Flat washer 330 x 650 x 31	2				
09	176917	Tire assembly 11lb x 15 with 8-hole wheel	2				
10	907030	Hex. nut M10 x 1.25	2				
11	209395	Lock washer M10	4				
12	984963	Hex. bolt M16 x 50 x 1.50	4				
13	997569	Axle fixed body	1				
14	997619	Axle moving end	2				
15	997882	U-clip	4				
16	044107	Parlock hex. nut M16 x 1.50	4				
17	881300	Flat washer 170 x 380 x 3.0	8				
	097428	Sticker: (Minimum Track Width Recommended)	1				

Controlled copy – Distribution and reproduction prohibited

DEFLECTOR 2P AND COMPLEMENTS



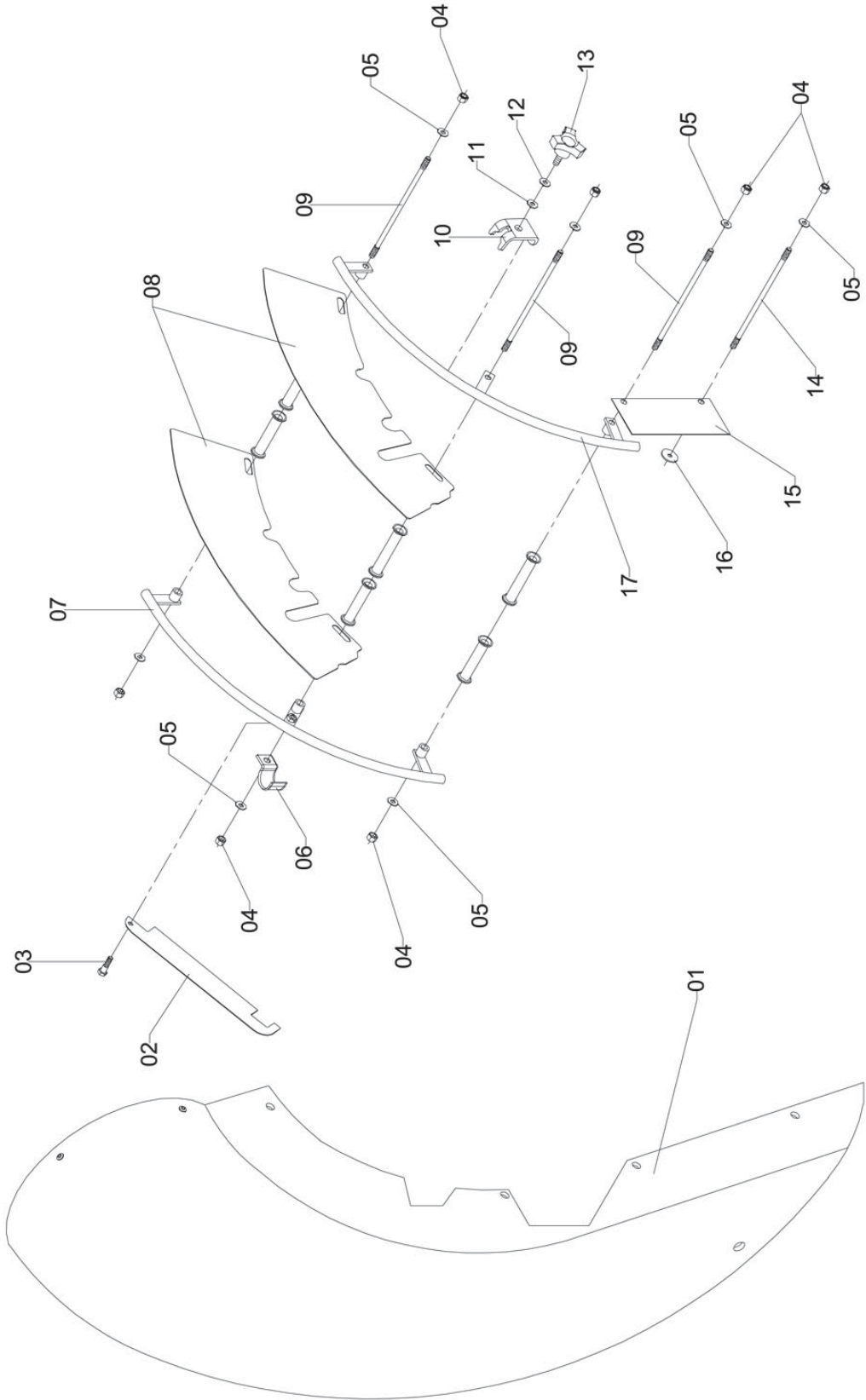
DF-84

DEFLECTOR 2P AND COMPLEMENTS

Continuation

Item	CODE	DESCRIPTION	Qty.	Item	CODE	DESCRIPTION	Qty.
00	295535	Deflector 2P and complements	1				
01	127613	Deflector - 2P	1				
02	209163	Lock washer M12	4				
03	326587	Bolt 3/8" - 16 UNC x 1" (brass)	2				
04	354464	Nut parlock 3/8" - 16 UNC	14				
05	420281	Flat washer 82 x 350 x 30	8				
06	427971	Support body	2				
07	430942	Guard screen - assembly	1				
08	508515	Flat washer 43 x 102 x 8	6				
09	519736	Lock washer M8	12				
10	519769	Rivet Pop - w 4.0 x 10.2	6				
11	013433	Flat washer	4				
12	818112	Flat washer 130 x 240 x 30	4				
13	820217	Adjustable flap	2				
14	820282	Bolt w 5/6" - 18 UNC x 1.3/4"	8				
15	829432	Bolt M12 x 35 x 1.75	4				
16	849125	Lower vane	2				
17	221648	Nut M8 x 1.25 - stainless steel	4				
18	327445	Hex. nut w 3/8" - 16 UNC	4				
19	519785	Rivbet Pop	6				
20	109678	Flat washer 105 x 254 x 12.4	4				
21	655506	Vane hinge	2				
22	829382	Hex head bolt M8 x 25 x 1.25	4				
23	623884	Flat washer 10.5 x 21 x 2 - steel	5				

ONE-WAY VOLUTE DEFLECTOR (3P-LOW)



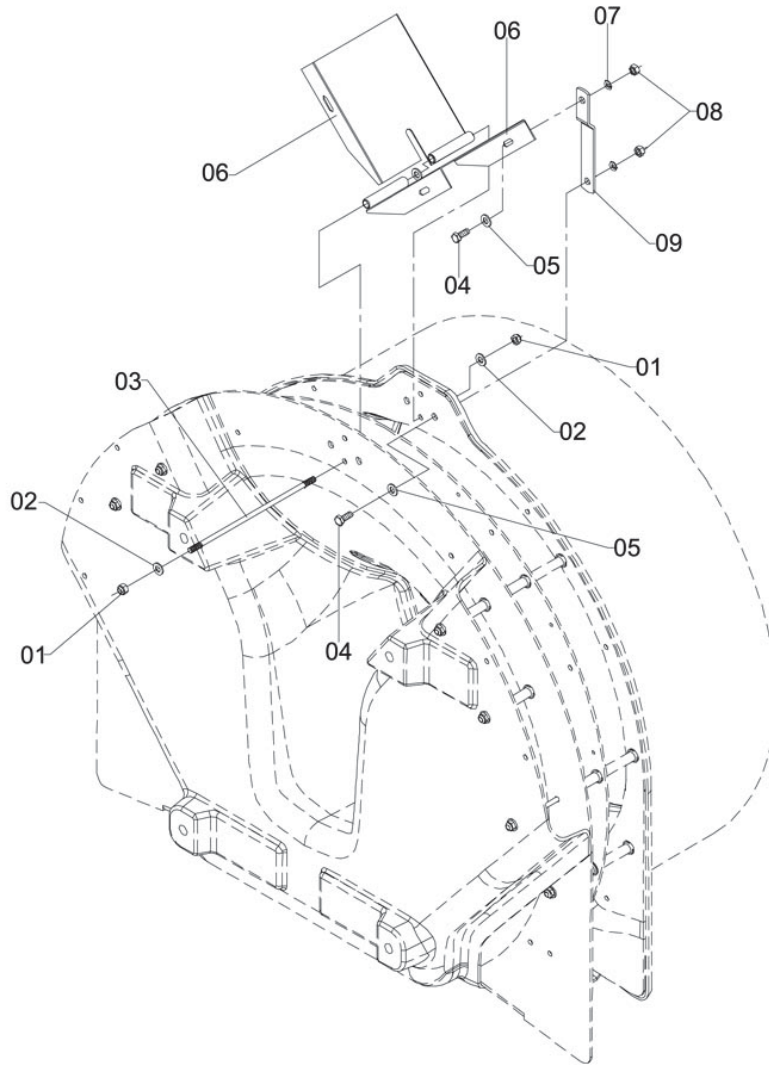
DF-151

ONE-WAY VOLUTE DEFLECTOR (3P-LOW)

Continuation

Item	CODE	DESCRIPTION	Qty.	Item	CODE	DESCRIPTION	Qty.
00	632380	One-way volute deflector (3P-low)	1				
01	234047	Bottom volute	1				
02	234021	Cover 80 x 492	1				
03	826693	Bolt \varnothing 5/16" x 1.1/2"	2				
04	354464	Nut parlock 3/8" - 16 UNC	7				
05	623884	Flat washer 105 x 210 x 20	7				
06	566810	Semiclamp for tube \varnothing 29	2				
07	238303	Moving volute support (rear)	1				
08	234054	Side plate	2				
09	238220	Stud bolt 3/8"- 16 UNC x 320	3				
10	238261	Deflector lock	4				
11	416735	Flat washer 100 x 260 x 30	4				
12	109678	Flat washer 105 x 254 x 12.4	4				
13	243576	Locking screw 3/8"- 16 UNC	4				
14	728436	Stud bolt - 3/8" x 266mm	1				
15	234013	Side cover	1				
16	507855	Flat washer 103 x 375 x 30	2				
17	238295	Moving volute support (front)	1				

UPPER VANE - ASSEMBLY



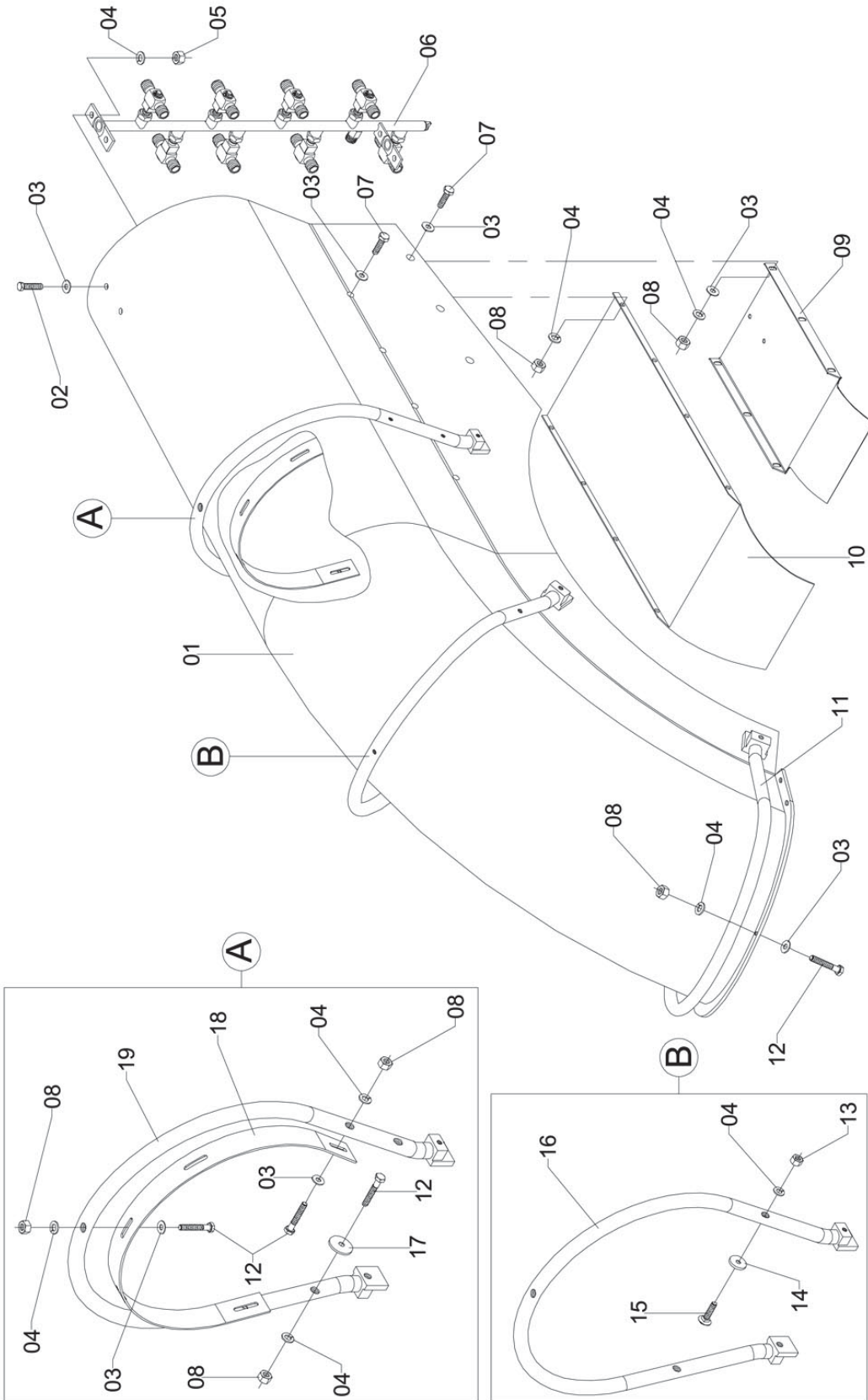
DF-73

UPPER VANE - ASSEMBLY

Continuation

Item	CODE	DESCRIPTION	Qty.	Item	CODE	DESCRIPTION	Qty.
00	673848	Upper vane - assembly	1				
01	354464	Nut parlock 3/8" - 16 UNC	2				
02	416735	Flat washer 100 x 260 x 30	3				
03	204750	Stud bolt 3/8" x 245	1				
04	829382	Hex head bolt M8 x 25 x 1.25	4				
05	013433	Flat washer	4				
06	204560	Adjustable flap	2				
07	519736	Lock washer M8	4				
08	221648	Nut M8 x 1.25 - stainless steel	4				
09	427971	Support body	2				

UPPER SWIRL CORE (ARBUS 2000)



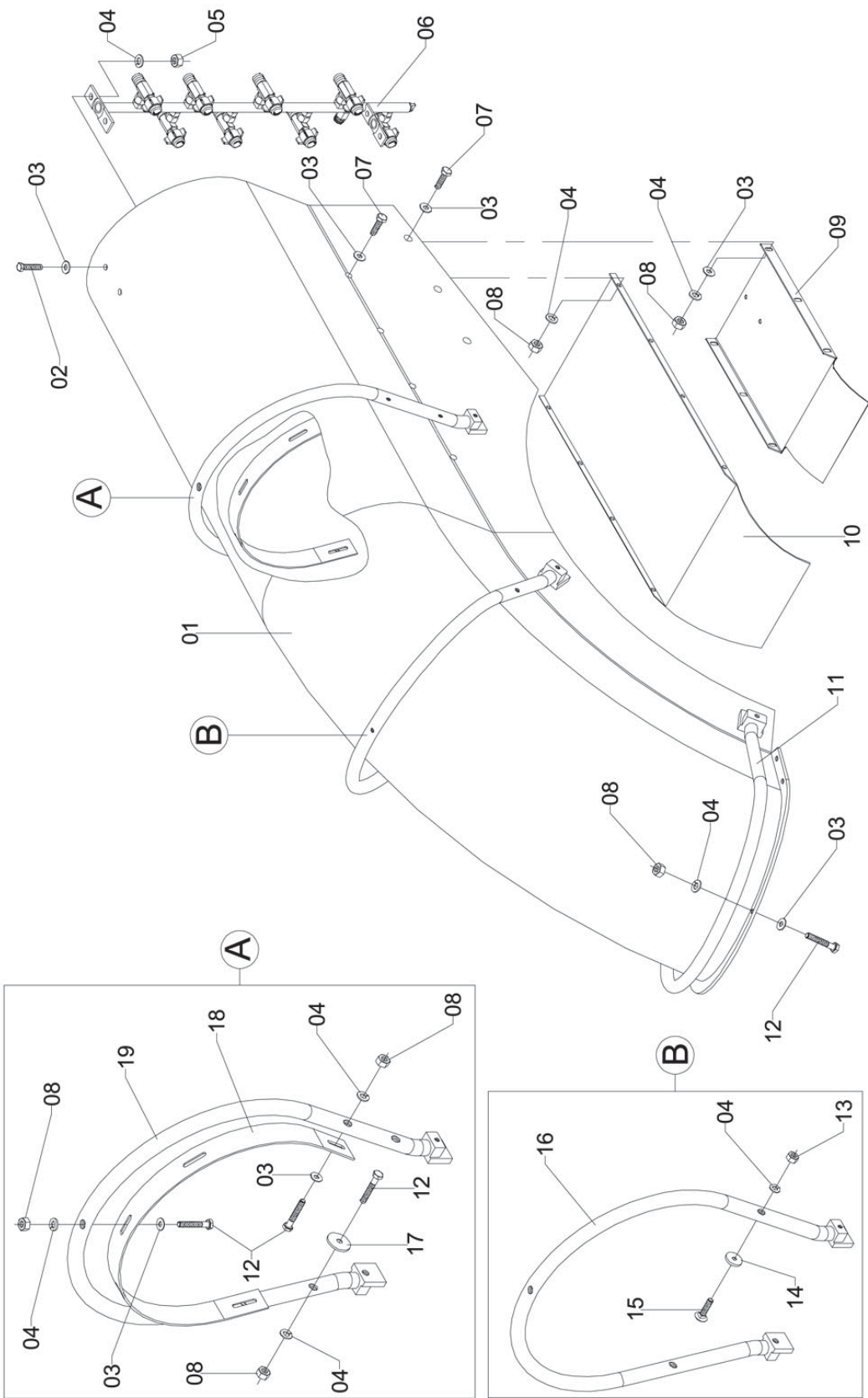
DF-61

UPPER SWIRL CORE (ARBUS 2000)

Continuation

Item	CODE	DESCRIPTION	Qty.	Item	CODE	DESCRIPTION	Qty.
00	610427	Upper swirl core (Arbus 2000)	1				
01	234039	Top volute	1				
02	295311	Screw M6 x 25 x 1,00 (stainless)	4				
03	413468	Flat washer Ш6,8 X Ш18 X 1,2	30				
04	521666	Lock washer M6	31				
05	730309	Hex. nut M6 x 1.00 - Steel	4				
06	389106	Upper volute branch for 8 nozzles	1				
07	810697	Bolt M6 x 1 x 20	14				
08	810689	Hex. nut M6 x 1.00	24				
09	572446	Lower vane body	1				
10	238360	Upper vane	1				
11	238329	Lower arch clamp	1				
12	443713	Screw M6 x 40 x 1.00	10				
13	912741	Nut ш 1/4" - 20 UNC	3				
14	416735	Flat washer 100 x 260 x 30	3				
15	208397	Screw 1/4" x 20 UNC x1.1/2"	3				
16	654087	Intermediate arch	1				
17	316471	Flat washer 68 x 376 x 19	2				
18	878637	Locking arch	1				
19	238337	Upper arch clamp	1				

UPPER SWIRL CORE ARBUS 2000



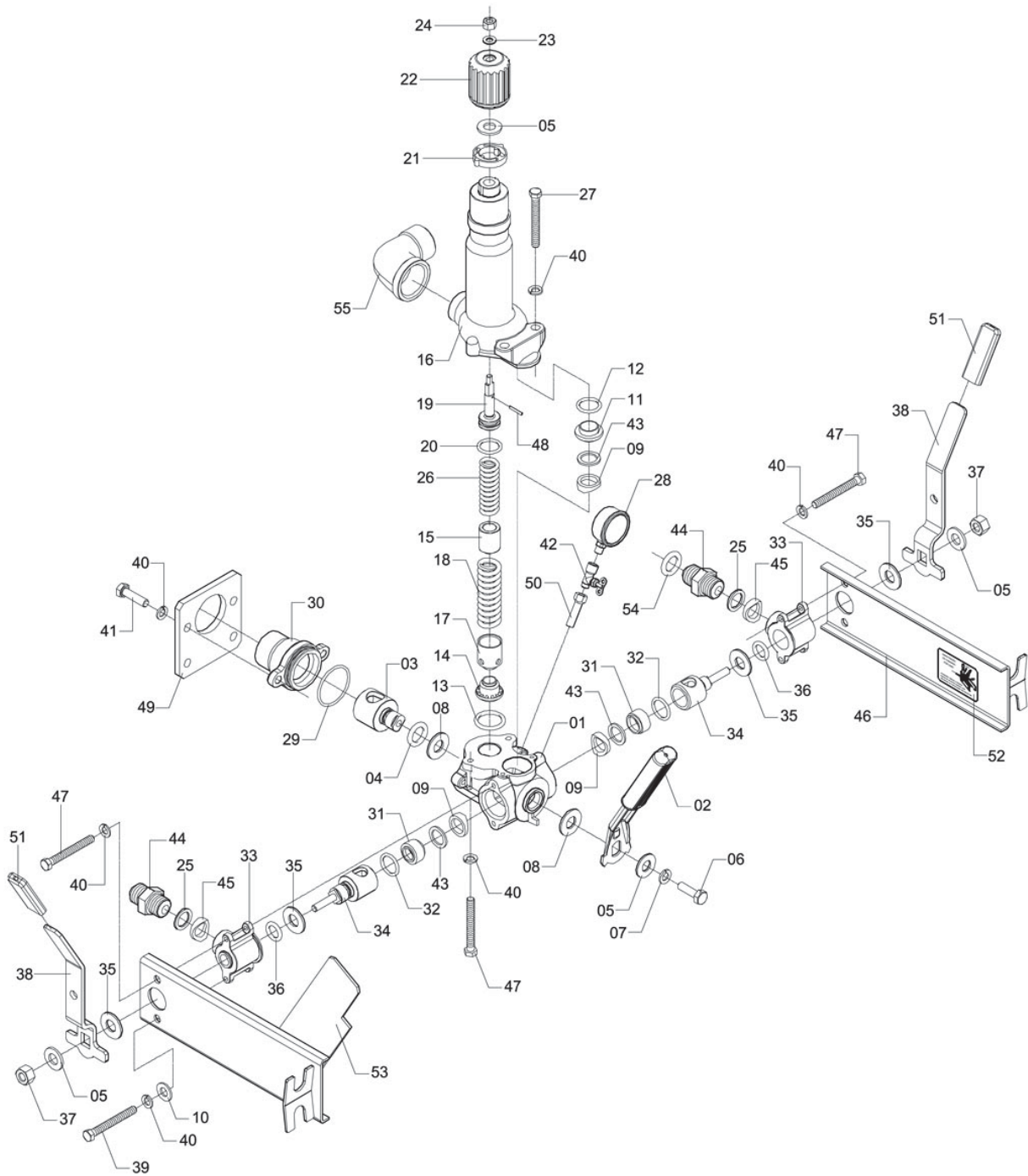
DF-59

UPPER SWIRL CORE ARBUS 2000

Continuation

Item	CODE	DESCRIPTION	Qty.	Item	CODE	DESCRIPTION	Qty.
00	464312	Upper swirl core Arbus 2000	1				
01	234039	Top volute	1				
02	295311	Screw M6 x 25 x 1,00 (stainless)	4				
03	413468	Flat washer Ш6,8 X Ш18 X 1,2	30				
04	521666	Lock washer M6	31				
05	730309	Hex. nut M6 x 1.00 - Steel	4				
06	388769	Upper volute branch for 8 nozzles	1				
07	810697	Bolt M6 x 1 x 20	14				
08	810689	Hex. nut M6 x 1.00	24				
09	572446	Lower vane body	1				
10	238360	Upper vane	1				
11	238329	Lower arch clamp	1				
12	443713	Screw M6 x 40 x 1.00	10				
13	912741	Nut ш 1/4" - 20 UNC	3				
14	416735	Flat washer 100 x 260 x 30	3				
15	208397	Screw 1/4" x 20 UNC x1.1/2"	3				
16	654087	Intermediate arch	1				
17	316471	Flat washer 68 x 376 x 19	2				
18	878637	Locking arch	1				
19	238337	Upper arch clamp	1				

CABLE DIRECTIONAL VALVE (0-40 KGF/CM²)



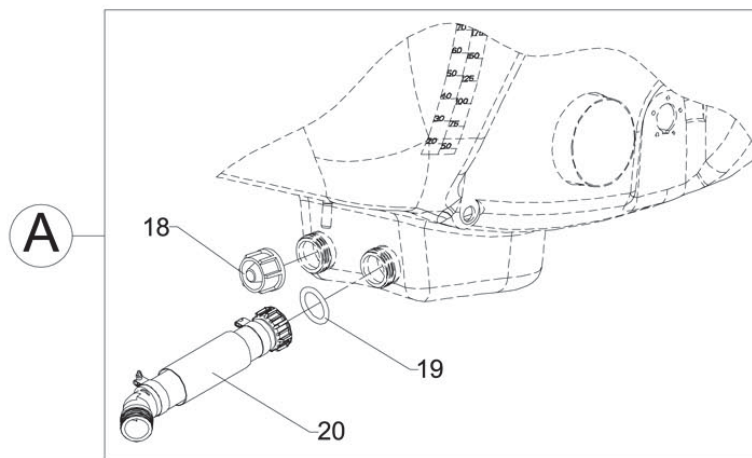
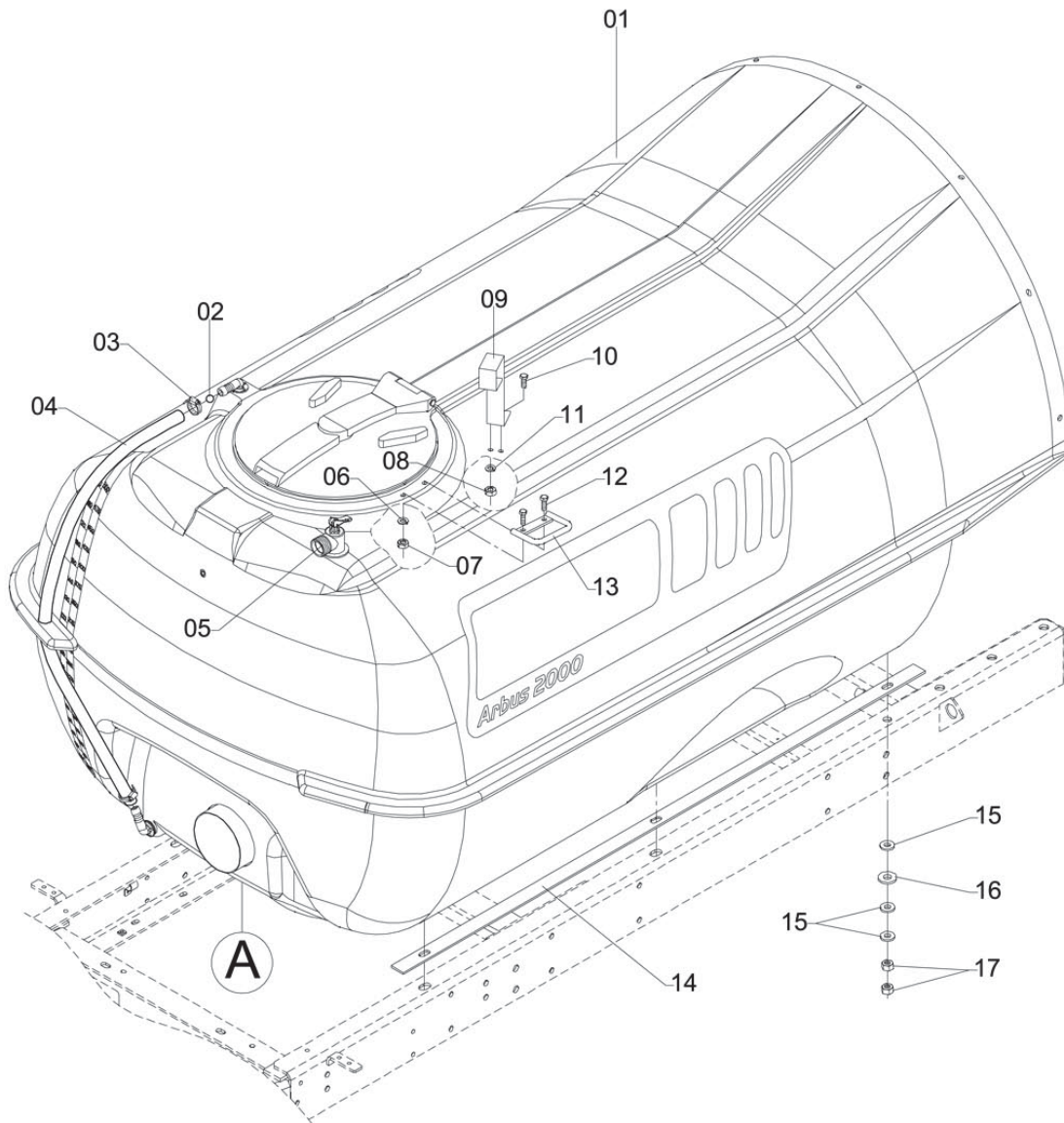
CV-464

CABLE DIRECTIONAL VALVE (0-40 KGf/CMl)

Continuation

Item	CODE	DESCRIPTION	Qty.	Item	CODE	DESCRIPTION	Qty.
00	870485	Cable directional valve (0-40 kgf/cm ^l)	1				
01	935999	Valve body	1				
02	010587	Assembly lever	1				
03	717835	Core	1				
04	706796	O-ring OR1-114	5				
05	623884	Flat washer 10.5 x 21 x 2 - steel	4				
06	917682	Bolt 3/8" - 16 UNC x 1/2"	1				
07	908566	Lock washer 3/8"	1				
08	010645	Core seat washer	2				
09	010678	Packing seat 28	3				
10	431486	Spacer	2				
11	010793	Packing seat spacer 29 x 12.5	1				
12	012724	O-ring ORI-119	1				
13	011593	O-ring OR1-219	1				
14	010710	Valve seat	1				
15	616144	Spring spacer	1				
16	616102	Cylinder	1				
17	010728	Valve with insert	1				
18	622712	Compression spring \varnothing 25 x 90	1				
19	117960	Adj. screw 1/2" UNF (w/ spring seat)	1				
20	011601	O-ring ORI-213	1				
21	011031	Lock	1				
22	010629	Knob	1				
23	013433	Flat washer	1				
24	912758	Hex. nut 5/16" - 18 UNC	1				
25	010991	O-ring \varnothing 24.7	2				
26	616151	Spring \varnothing 18 x 34	1				
27	831503	Hex. bolt 5/16"-18 UNC x 1.3/4"	2				
28	551945	Pressure gauge (0 to 40 kgf/cm ^l) (glycerin-filled)	1				
29	106948	O-ring OR1-130	1				
30	010777	Fitting with flange 1"	1				
31	010801	Spacer \varnothing 29 x 19.4	2				
32	011668	O-ring OR1-122	2				
33	357947	Valve body	2				
34	357954	Core \varnothing 26	2				
35	010769	Core seat washer \varnothing 24	4				
36	011676	O-ring OR1-111	2				
37	810770	Hex. nut M-8 x 1.25	2				
38	357962	Lever	2				
39	729038	Bolt 5/16" x 2.3/4"	2				
40	519736	Lock washer M8	12				
41	836502	Screw 5/16" - 18 UNC x 1"	2				
42	507319	Needle valve for pressure gauge	1				
43	010827	Packing ring \varnothing 29 x 22 x 3	3				
44	823435	Outlet nipple	2				
45	010751	Packing seat 22	2				
46	358127	Support	1				
47	627992	Hex. head bolt 5/16" - 18 UNC x 2.1/2	4				
48	917369	Flexible pin (heavy) 3 x 22	1				
49	107441	Support	1				
50	014423	Pressure gauge extension	1				
51	945964	Lever handgrip	2				
52	979583	Sticker: "Control maintenance..."	1				
53	991752	Support	1				
54	322057	O-ring ORI-114	2				
55	116822	Male/female elbow \varnothing 1.1/4" x 90	1				

TANK 2000 LITER AND COMPLEMENTS



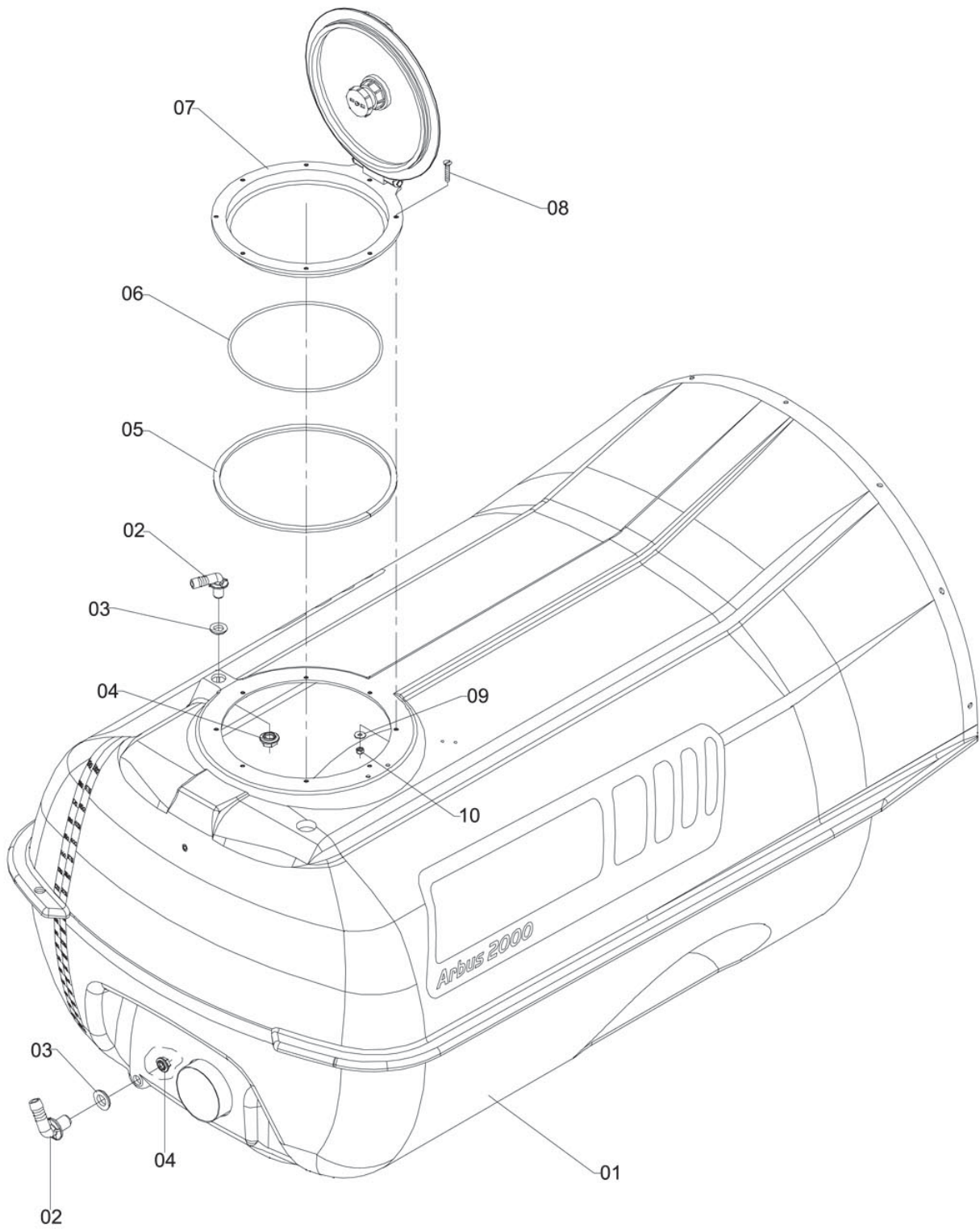
D-185

TANK 2000 LITER AND COMPLEMENTS

Continuation

Item	CODE	DESCRIPTION	Qty.	Item	CODE	DESCRIPTION	Qty.
00	299966	Tank 2000 Liter and complements	1				
01	698282	Tank 2000-Liter	1				
02	324764	Float w 14	1				
03	423814	Clamp D22-32 - stainless steel	2				
04	297606	Transparent hose 3/4" 1370	1				
05	134239	Chemical container rinse nozzle kit	1				
06	377911	Flat washer 84 x 160 x 16	2				
07	221648	Nut M8 x 1.25 - stainless steel	2				
08	730309	Hex. nut M6 x 1.00 - Steel	2				
09	547117	Filler unit support	1				
10	295311	Screw M6 x 25 x 1,00 (stainless)	2				
11	712554	Flat washer 70 x 180 x 12,4	2				
12	448233	Bolt M8 x 30 x 1,25	2				
13	362749	Support Handle	1				
14	732032	Tank seat	2				
15	881300	Flat washer 170 x 380 x 3.0	18				
16	116665	Shock absorbing washer	6				
17	326298	Nut w 5/8" - 11 UNC - stainless steel	12				
18	900761	Drain cap w 67	1				
19	588913	O-ring OR-330	1				
20	395186	Hose - Filter / Tank	1				

TANK 2000-LITER



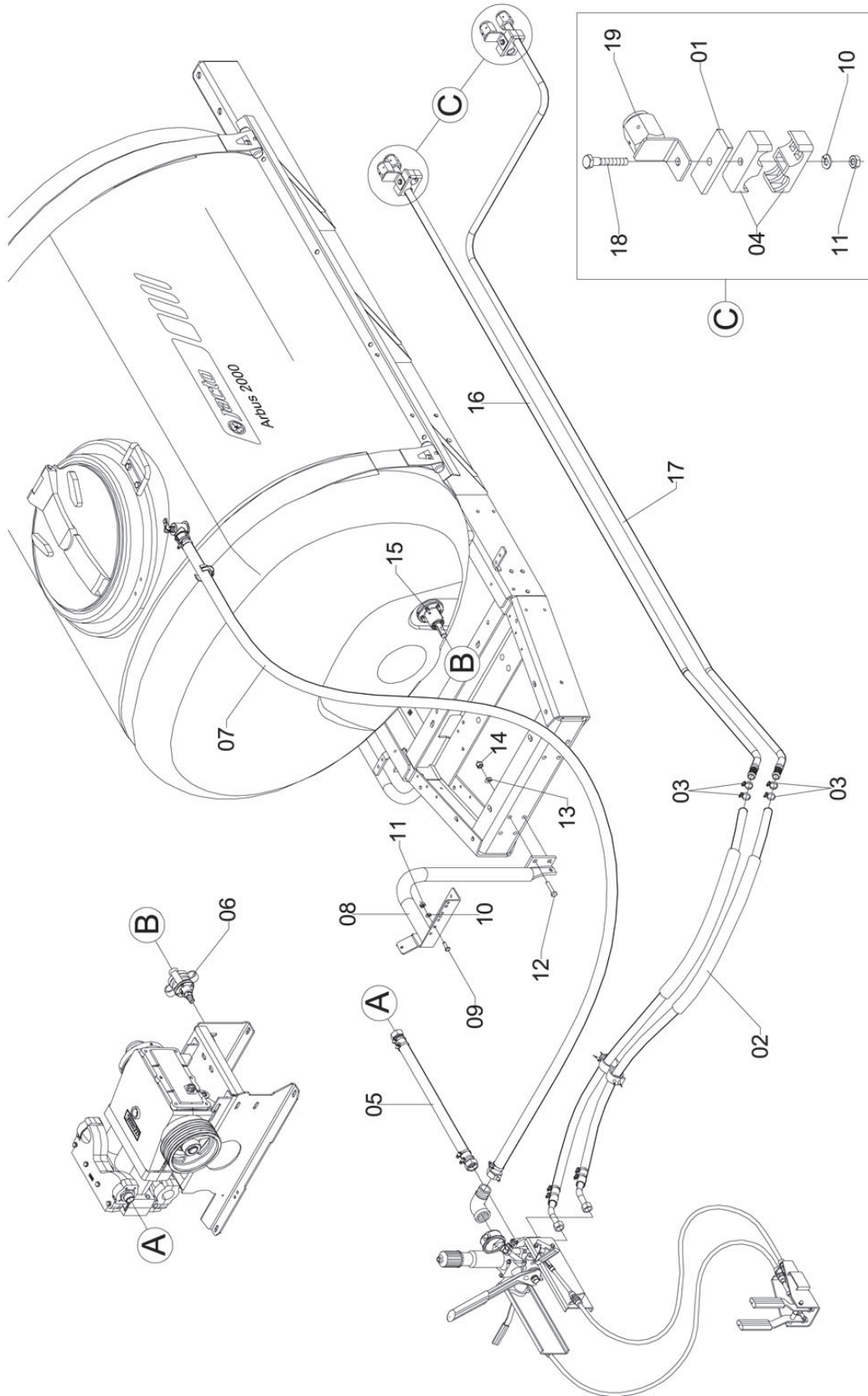
D-186

TANK 2000-LITER

Continuation

Item	CODE	DESCRIPTION	Qty.	Item	CODE	DESCRIPTION	Qty.
00	698282	Tank 2000-Liter	1				
01	299917	2000-liter Tank	1				
02	428730	Elbow 3/4" x 1/2" BSP -14 F.P.P.	2				
03	973024	Seal 36 x 21 x 6	2				
04	428748	Flanged nut 1/2" BSP -14 F.P.P.	2				
05	752931	Packing 5 x 15 x 1370	1				
06	994863	Packing ring w 367 x 6.99	1				
07	752949	Italian lid	1				
08	481002	Flat head screw with slot - M5	8				
09	314799	Flat washer 54 x 150 x 12.4	8				
10	564971	Nut M-5 x 0.8	8				

CHEMICAL CIRCUIT



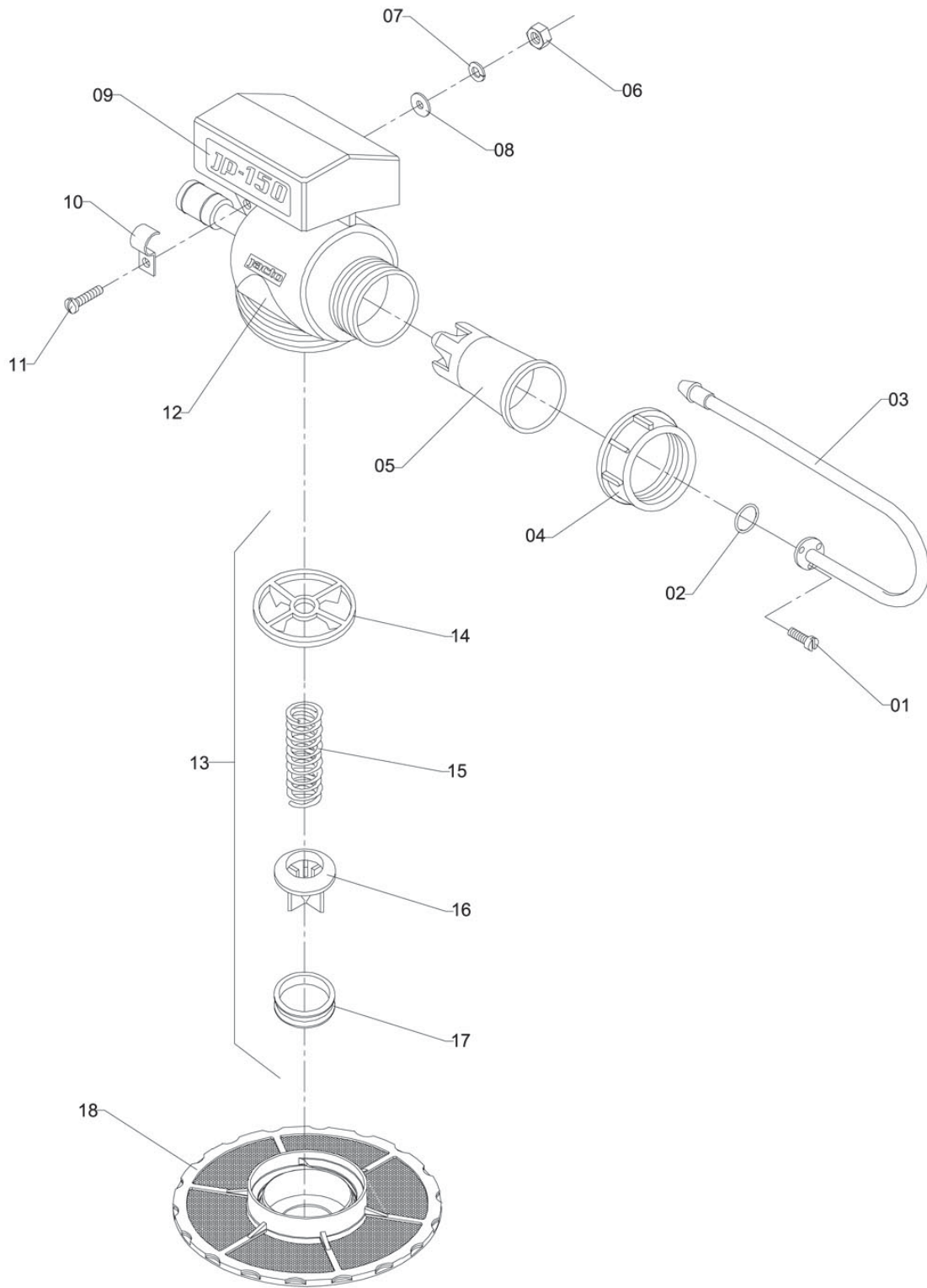
CD-835

CHEMICAL CIRCUIT

Continuation

Item	CODE	DESCRIPTION	Qty.	Item	CODE	DESCRIPTION	Qty.
00	390278	Chemical circuit	1				
01	618405	Semiclamp plate 25 x 57	5				
02	283861	Hose - control / tubing	1				
03	423814	Clamp D22-32 - stainless steel	4				
04	732040	Semiclamp for tube 19"	8				
05	991059	Pressure hose 1" BSP x 450	1				
06	727925	Flexible coupling 9	1				
07	283853	Hose ω 1.1/4" x 1600 C	1				
08	556522	Control support	1				
09	829382	Hex head bolt M8 x 25 x 1.25	2				
10	519736	Lock washer M8	6				
11	810770	Hex. nut M8 x 1.25	6				
12	383802	Hex. bolt M12 x 40 x 1,50	2				
13	818112	Flat washer 130 x 240 x 30	2				
14	173245	Hex. nut parlock M12 x 1.25	2				
15	543348	Mechanical agitator 2005 - 02	1				
16	176958	Chemical Tube - Right	1				
17	176966	Chemical Tube - Left	1				
18	520726	Hex head bolt M8 x 60 x 1.25	4				
19	457291	Support	2				

FILLER UNIT JP-150 WITHOUT HOSE



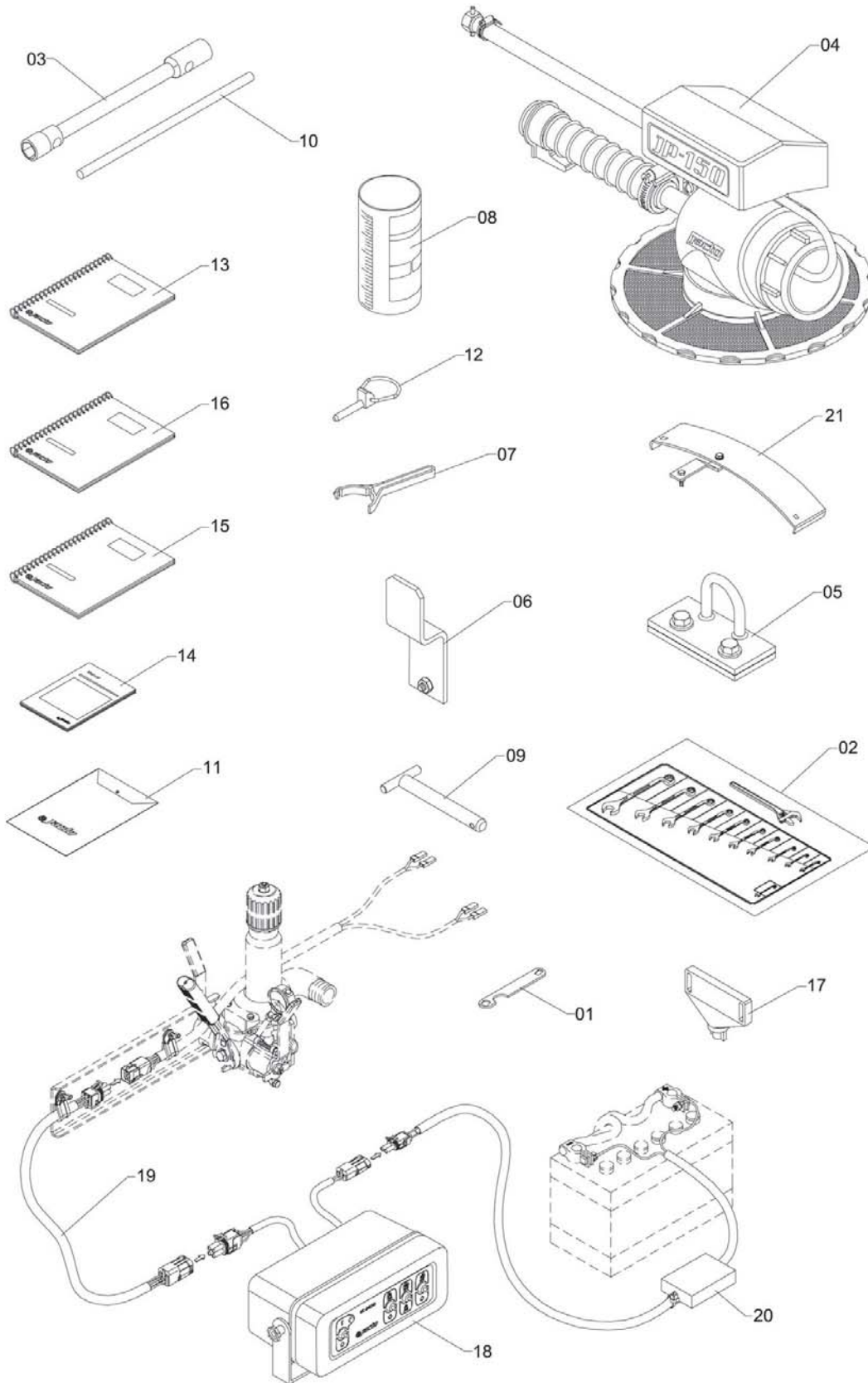
A-54

FILLER UNIT JP-150 WITHOUT HOSE

Continuation

Item	CODE	DESCRIPTION	Qty.	Item	CODE	DESCRIPTION	Qty.
00	133462	Filler unit JP-150 without hose	1				
01	913392	Self-tapping screw 6x20 f.p.p. x 3/8"	3				
02	417709	O-ring OR1 -012	1				
03	327106	Injection nozzle	1				
04	809848	Fixed nut	1				
05	327148	Injection venturi	1				
06	912741	Nut w 1/4" - 20 UNC	1				
07	910117	Lock washer 1/4"	1				
08	358267	Flat washer 64 x 125 x 16	1				
09	052019	Sticker: "JP-150"	1				
10	107201	Clamp 13	1				
11	912642	Screw 1/4" UNC x 5/8"	1				
12	327155	Filler body	1				
13	114967	Filler unit repair kit	1				
14	612721	Spring seat	1				
15	612861	Spring	1				
16	612739	Ejector valve	1				
17	612705	Valve packing	1				
18	111542	Filtering element with hub and screw	1				

ACCESSORIES BOX



CXA-525

Controlled copy – Distribution and reproduction prohibited

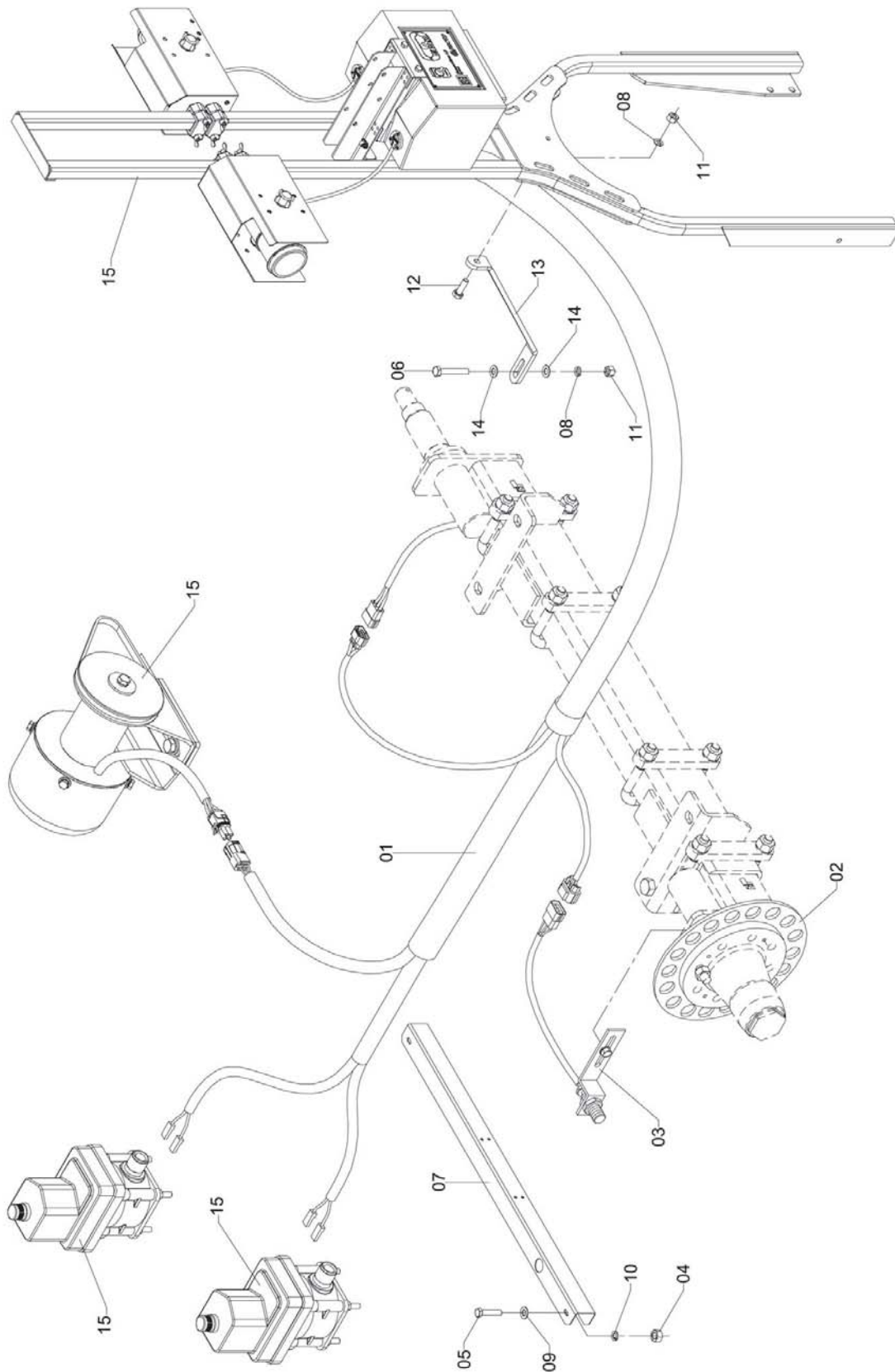
ACCESSORIES BOX

Continuation

Item	CODE	DESCRIPTION	Qty.	Item	CODE	DESCRIPTION	Qty.
00	078229	Accessories box	1				
01	436493	Flat fan nozzle aligner	1				
02	489211	Assembly - combination wrench + screw wrench (for export)	1				
03	499731	Wheel wrench	1				
04	819904	Jacto filler unit for 150 L/min with hose 5-meters	1				
04A	683896	Jacto filler unit for 150 L/min with hose 10-meters	1				
05	673798	Clip plate	1				
06	673855	Actuator holder assembly	1				
07	703694	Key 40-45	1				
08	767061	Flow calibrator bottle	1				
09	824003	Tee pin	1				
10	830281	Cable 3/4" x 450 mm for wheel wrench	1				
11	867127	Plastic folder	1				
12	330407	Universal lock pin 5/16"	1				
13	465518	Operator's Manual (Arbus Sapphire - spanish)	1				
13A	801670	Operator's manual "Arbus 2000 SAPPHIRE"- English	1				
13B	700328	Operator's manual (Arbus 2000 Safira - english)	1				
13C	399592	Operator's manual (Arbus 2000 Safira - portuguese)	1				
14	140202	Operator's manual - Chemical container rinse nozzle - Spanish	1				
14A	907212	Operator's manual (Chemical container rinse nozzle - USA)	1				
14B	158576	Operator's manual-Chemical container rinse nozzle	1				
14C	136929	Instructions manual - Container rinse nozzle	1				
15	864199	Operator's manual (Nozzles guideline - Spanish)	1				
15A	938381	Nozzle guide MI "USA"	1				
15B	697912	Jacto nozzles guide (English)	1				
15C	853093	Operator's manual - nozzles	1				
16	979989	Operator's manual "Sensor flowl"- Spanish	1				
16A	096594	Operator's manual "Sensor flowl"- English	1				
16B	556654	Sensorflow maintenance manual	1				
17	1177696	Universal key	1				
18	1190054	Electric Panel EC-4400	1				
19	1188792	Arbus Extension Cable	1				
20	982248	Feed cable	1				
21	673871	Cap 90 x 710 assembly	1				

Controlled copy – Distribution and reproduction prohibited

ELECTRIC CIRCUIT



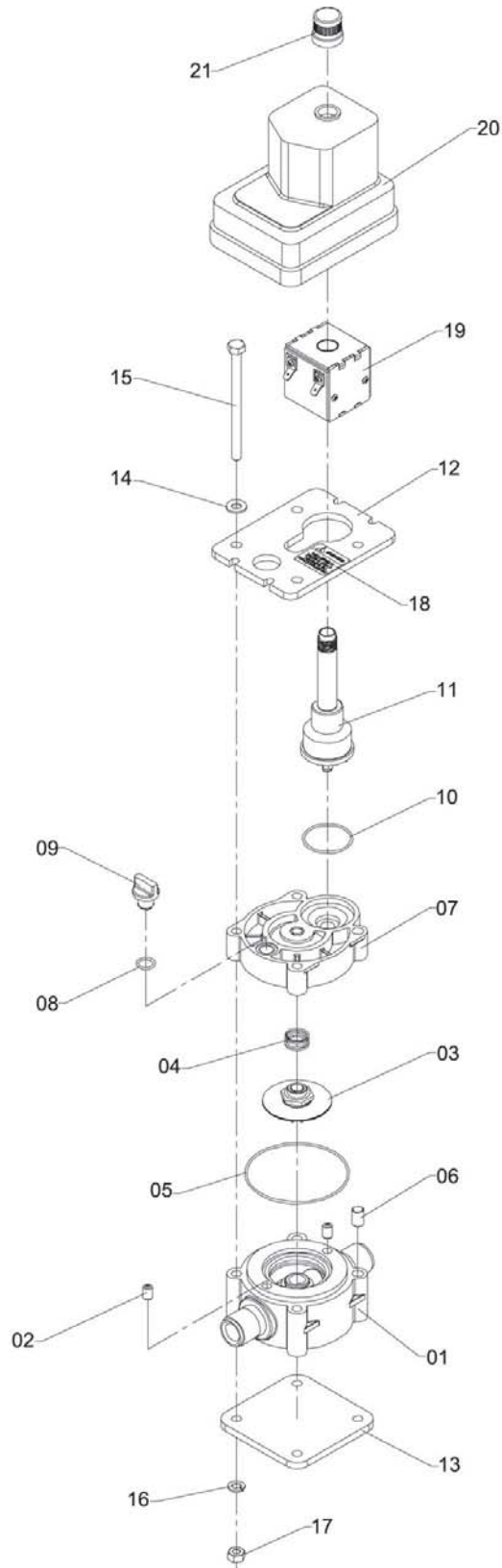
CE-565

ELECTRIC CIRCUIT

Continuation

Item	CODE	DESCRIPTION	Qty.	Item	CODE	DESCRIPTION	Qty.
00	681981	Electric circuit	1				
02	058453	Wheel sensor disc	4				
03	781443	Wheel sensor support	2				
04	810689	Hex. nut M6 x 1.00	2				
05	810697	Bolt M6 x 1 x 20	2				
06	715490	Hex. bolt M8 x 50 x 1.25	1				
07	997874	Cable protective tube	1				
08	519736	Lock washer M8	8				
09	413468	Flat washer Ш6,8 X Ш18 X 1,2	2				
10	521666	Lock washer M6	2				
11	810770	Hex. nut M8 x 1.25	2				
12	829382	Hex head bolt M8 x 25 x 1.25	1				
13	252619	Sensor support angle brace for A-40000	1				
14	013433	Flat washer	2				

ELECTRIC VALVE



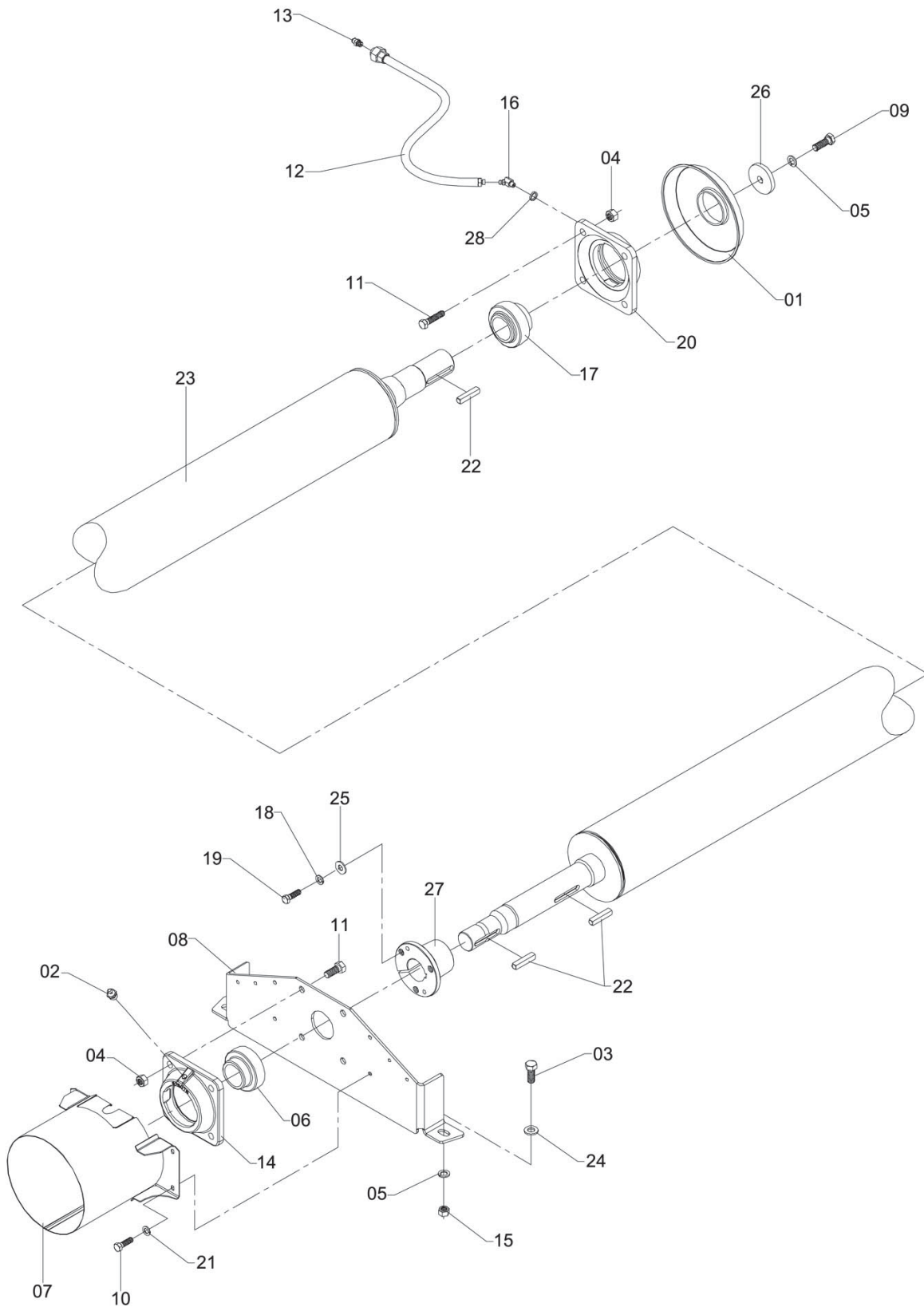
CE-461

ELECTRIC VALVE

Continuation

Item	CODE	DESCRIPTION	Qty.	Item	CODE	DESCRIPTION	Qty.
00	356212	Electric valve	1				
01	438184	Lower body	1				
02	356451	Bushing 8 x 13	2				
03	558817	Diaphragm assembly	1				
04	655365	Compression spring - OE = 19.7 X LO=23	1				
05	971739	O-ring "OR1-042	1				
06	555037	Bushing	1				
07	438176	Upper body	1				
08	901405	Packing ring ORI-014	1				
09	520775	Drain plug - 1/4" BSP	1				
10	971747	O-ring OR1-029	1				
11	558809	Control unit	1				
12	356261	Upper support	1				
13	356329	Lower support	1				
14	013433	Flat washer	4				
15	082750	Hex. head bolt 5/16" x 4.1/4"	4				
16	519736	Lock washer M8	4				
17	912758	Hex. nut 5/16" - 18 UNC	4				
18	450171	Warning sticker: (Do not remove ...)	1				
19	356253	Coil assembly	1				
20	356279	Protector	1				
21	441527	Round box nut M 16 x 1.5	1				

DRIVE TRANSMISSION AND COMPLEMENTS



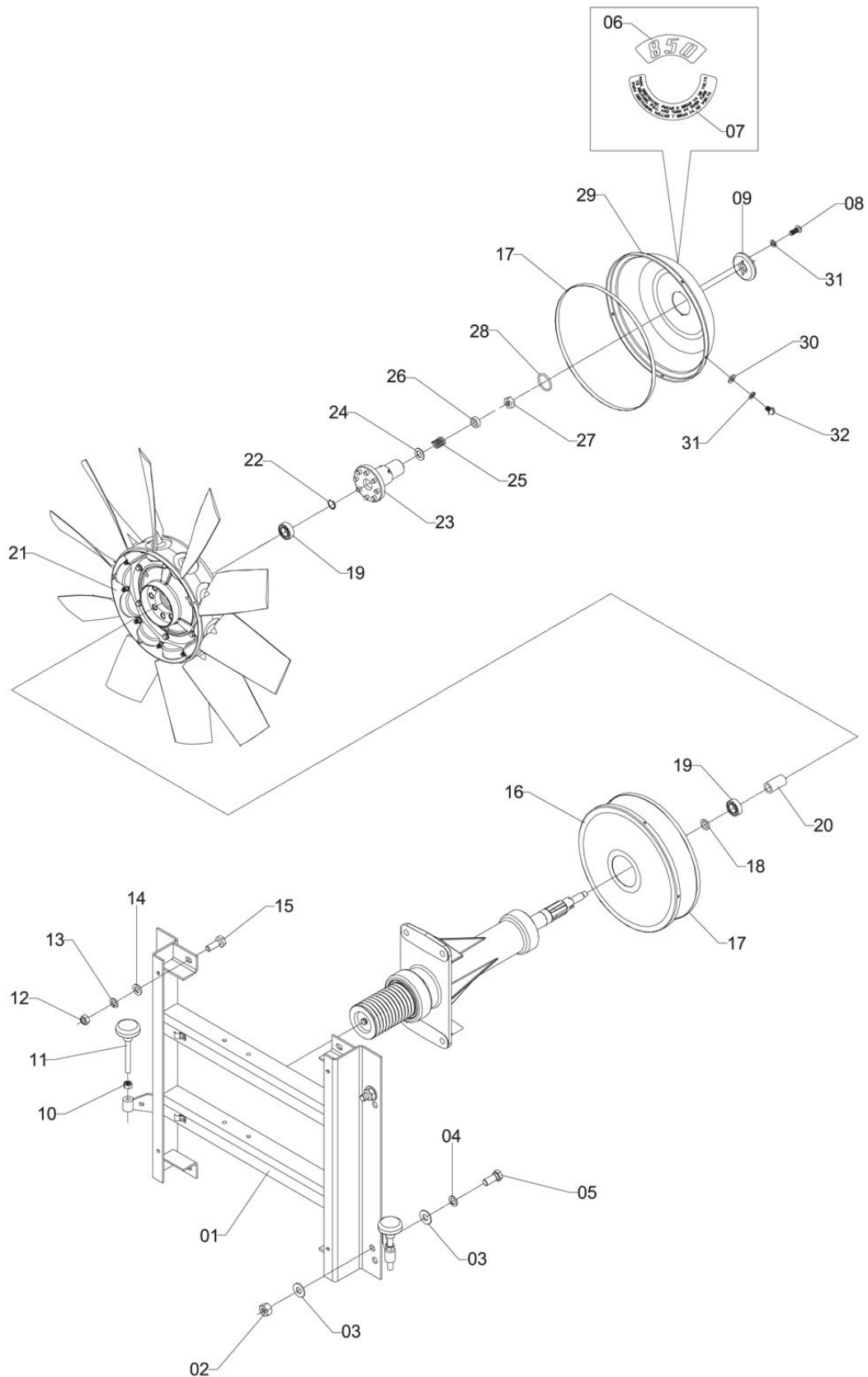
TMT-324

DRIVE TRANSMISSION AND COMPLEMENTS

Continuation

Item	CODE	DESCRIPTION	Qty.	Item	CODE	DESCRIPTION	Qty.
00	299628	Drive transmission and complements	1				
01	037606	Protector	1				
02	127142	Grease nipple w 1/8"	1				
03	275396	Hex. head bolt M12 x 50 x 1.50 - CL 8.8	2				
04	173245	Hex. nut parlock M12 x 1.25	8				
05	209163	Lock washer M12	3				
06	220194	Self-aligning bearing	1				
07	240036	PTO shaft guard tube	1				
08	252874	Bearing support (front)	1				
09	280925	Hex. head bolt M12 x 35 x 1,50	1				
10	810697	Bolt M6 x 1 x 20	4				
11	383802	Hex. bolt M12 x 40 x 1,50	8				
12	999391	Hose - Grease nipple	1				
13	366542	Grease nipple M6 x 1.0	1				
14	825075	Flange-type bearing	1				
15	427013	Nut ABTN - 1020 thread M12 x 1,5 CL8	2				
16	429555	Grease nipple 1/8" BSP 45	1				
17	970798	Self-compensating bearing	1				
18	908566	Lock washer 3/8"	3				
19	518753	Bolt 3/8" - 16 UNC x 1.1/4"	3				
20	969436	Flange-type bearing II	1				
21	521666	Lock washer M6	4				
22	521765	Square key 9,53 (3/8") x 50	3				
23	172015	Shaft 2740	1				
24	818112	Flat washer 130 x 240 x 30	2				
25	623884	Flat washer 10,5 x 21 x 2 - steel	3				
26	703595	Flat washer 133 x 580 x 80	1				
27	725333	Pulley lock	1				
28	822650	Ring w 9,8 x w 12.7 x 2.0	1				

DRIVEN TRANSMISSION AND COMPLEMENTS



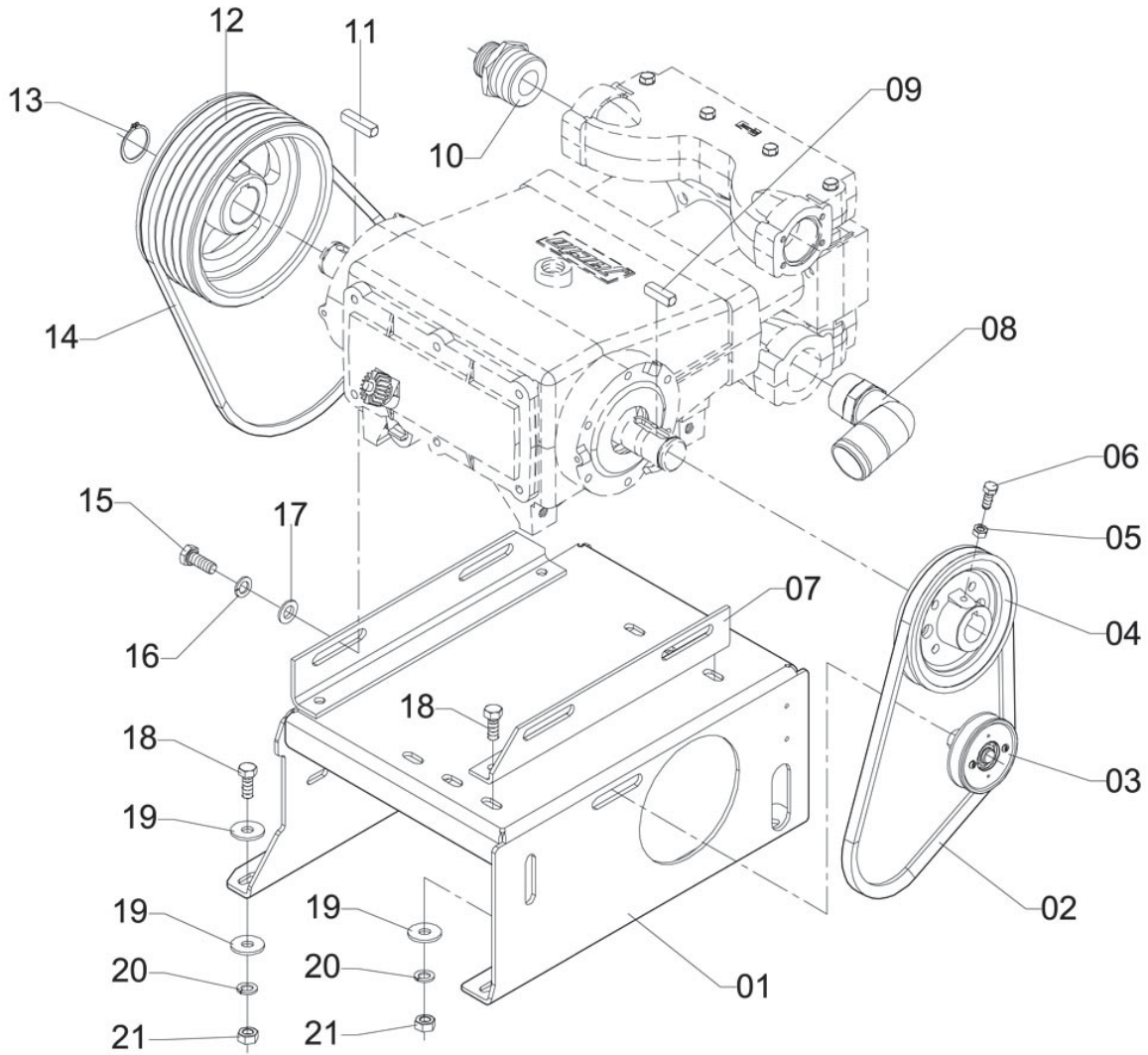
TMV-71

DRIVEN TRANSMISSION AND COMPLEMENTS

Continuation

Item	CODE	DESCRIPTION	Qty.	Item	CODE	DESCRIPTION	Qty.
00	288647	Driven Transmission and Complements	1				
01	444034	Adjustable frame	1				
02	742015	Nut M16 x 1.50	4				
03	881300	Flat washer 170 x 380 x 3.0	8				
04	764142	Lock washer M16	4				
05	984963	Hex. bolt M16 x 50 x 1.50	4				
06	039222	Sticker: "850"	1				
07	018705	Sticker: "Fan lock instructions"	1				
08	007179	Screw 3/16" UNC x 5/8"	2				
09	201087	Disc \varnothing 70	1				
10	326280	Nut \varnothing 1/2" UNC	2				
11	941948	Tightening screw \varnothing 1/2" - 13 UNC	2				
12	427013	Nut ABTN - 1020 thread M12 x 1,5 CL8	4				
13	209163	Lock washer M12	4				
14	881292	Flat washer 135 x 320 x 30	2				
15	383802	Hex. bolt M12 x 40 x 1,50	4				
16	848911	Fan guard cap	1				
17	018655	Packing 1015	2				
18	518118	Spacer ring	1				
19	202549	Fixed bearing	2				
20	232686	Spacer 51.4	1				
21	348995	Fan assembly	1				
22	203067	Snap ring for shaft \varnothing 35	1				
23	177055	Grooved hub with hitch	1				
24	881243	Flat washer 170 x 300 x 19	1				
25	204537	Compression spring	1				
26	425892	Spring seat ring	1				
27	108787	Nut DODI-LOC \varnothing 1/2" - 13 UNC	1				
28	939223	Packing ring	1				
29	935379	Hub cap	1				
30	979237	Flat washer 5,30 x 10,0 x 1,0	10				
31	520676	Lock washer M5	12				
32	907584	Screw 3/16" UNC x 5/16"	10				

SPRAY PUMP JP-150 AND COMPLEMENTS



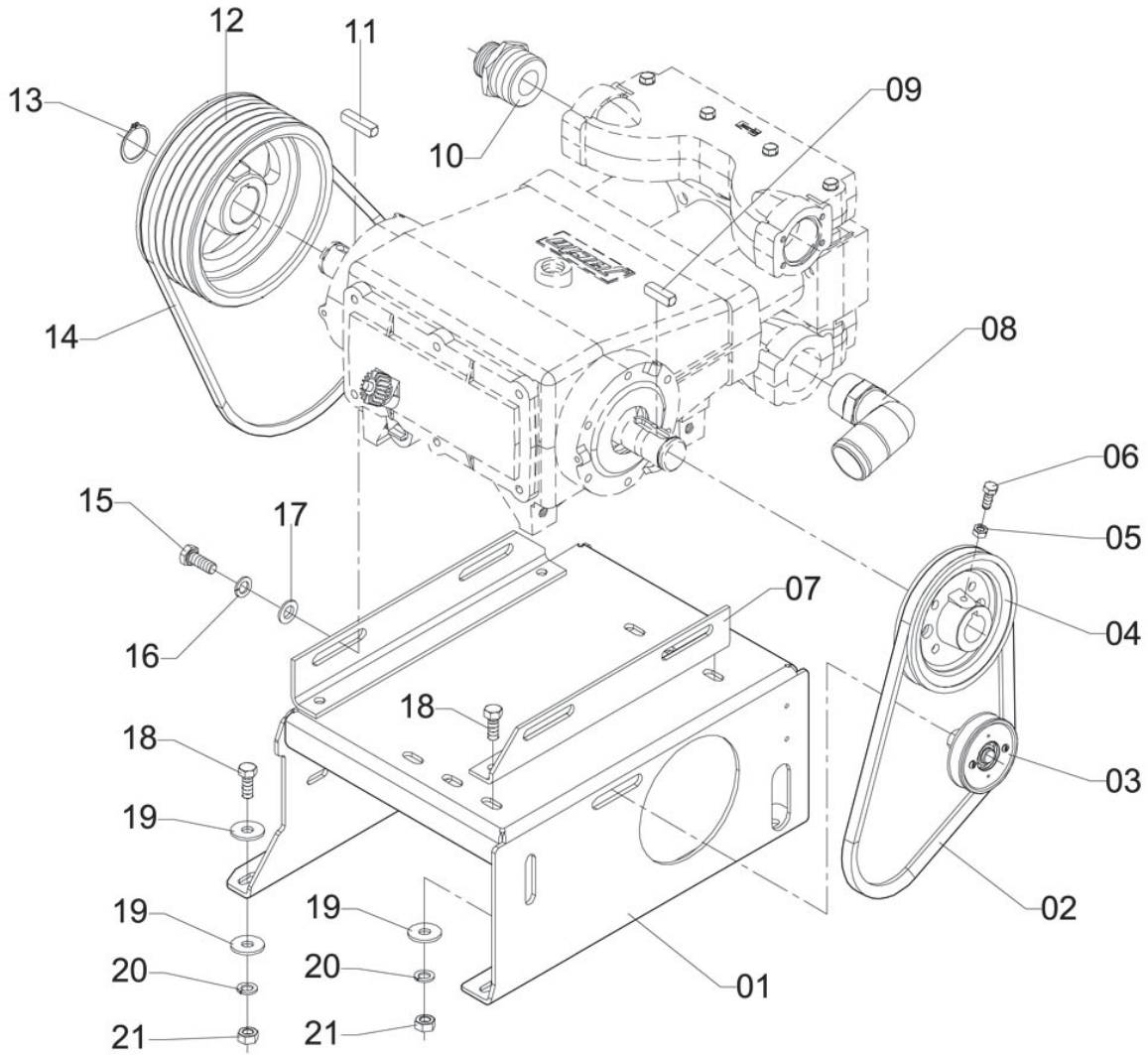
TMT-208

SPRAY PUMP JP-150 AND COMPLEMENTS

Continuation

Item	CODE	DESCRIPTION	Qty.	Item	CODE	DESCRIPTION	Qty.
00	288753	Spray pump JP-150 and complements	1				
01	172361	Pump base	1				
02	916106	Belt A-35	1				
03	645416	Tightening pulley assembly 78-1A (Shaft \varnothing 15 x 50,5)	1				
04	425470	Pulley \varnothing 146 x 1A	1				
05	810770	Hex. nut M8 x 1.25	1				
06	829374	Hex. head bolt M8 x 20 x 1.25 -cl 8.8	1				
07	724161	Pump support (rear)	1				
08	613679	Hose fitting 2" x 1.1/2" BSP	1				
09	015305	Square key 5/16" x 30	1				
10	324848	Nipple 1.1/2" x 1"	1				
11	108936	Square key 9,53 (3/8") x 35	1				
12	639120	Pulley \varnothing 200-6-3V	1				
13	203067	Snap ring for shaft \varnothing 35	1				
14	768713	Trapeze belt	6				
15	520205	Bolt 1/2" - 13 UNC x 1.1/4"	4				
16	908582	Lock washer 1/2"	4				
17	818112	Flat washer 130 x 240 x 30	4				
18	757559	Hex. bolt M10 x 30 x 1.25	6				
19	623884	Flat washer 10.5 x 21 x 2 - steel	10				
20	209395	Lock washer M10	6				
21	907030	Hex. nut M10 x 1.25	6				

SPRAY PUMP JP-190 AND COMPLEMENTS



TMT-208

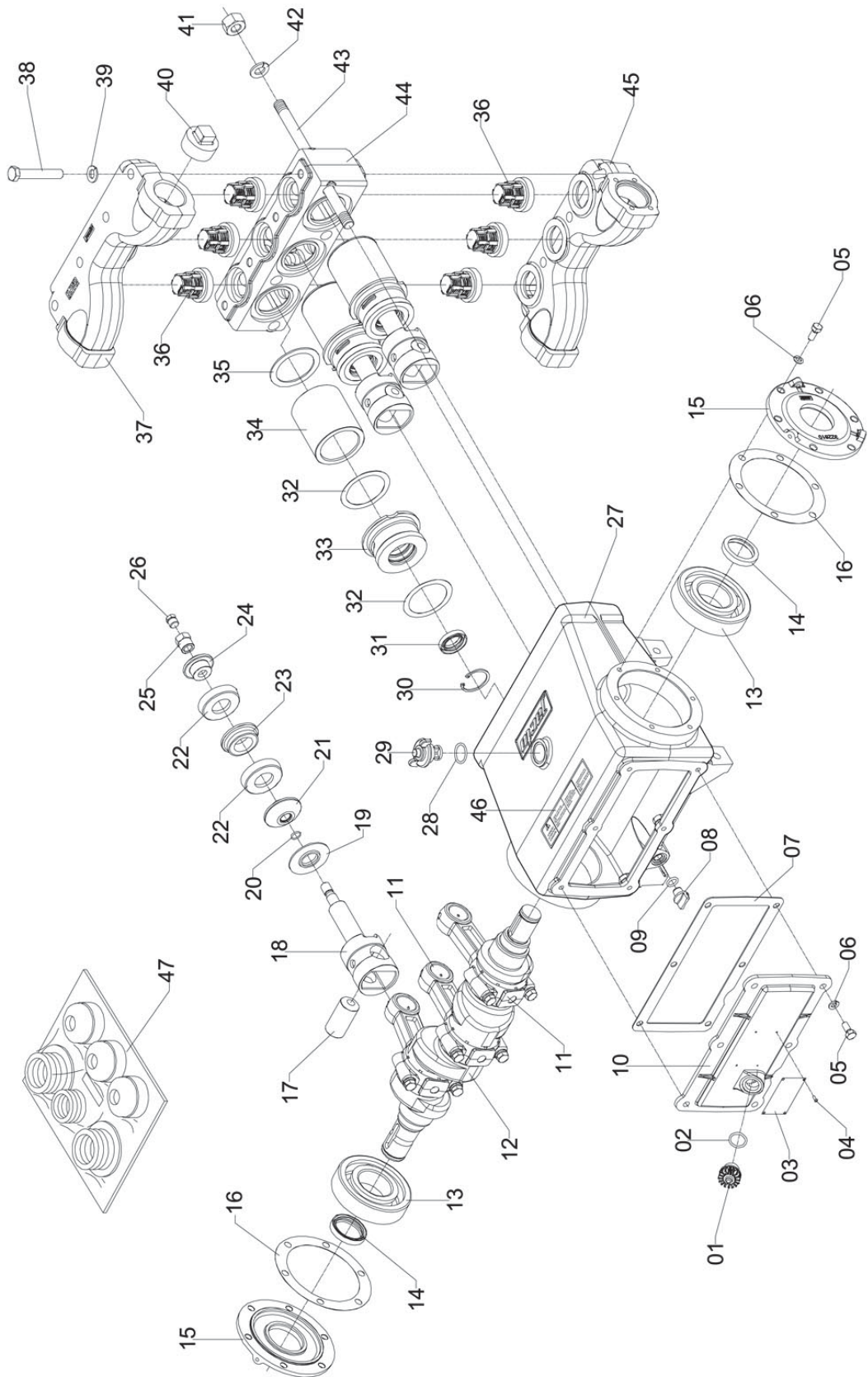
SPRAY PUMP JP-190 AND COMPLEMENTS

Continuation

Item	CODE	DESCRIPTION	Qty.	Item	CODE	DESCRIPTION	Qty.
00	288761	Spray pump JP-190 and complements	1				
01	172361	Pump base	1				
02	916106	Belt A-35	1				
03	645416	Tightening pulley assembly 78-1A (Shaft \varnothing 15 x 50,5)	1				
04	425470	Pulley \varnothing 146 x 1A	1				
05	810770	Hex. nut M8 x 1.25	1				
06	829374	Hex. head bolt M8 x 20 x 1.25 -cl 8.8	1				
07	724161	Pump support (rear)	1				
08	613679	Hose fitting 2" x 1.1/2" BSP	1				
09	015305	Square key 5/16" x 30	1				
10	324848	Nipple 1.1/2" x 1"	1				
11	108936	Square key 9,53 (3/8") x 35	1				
12	375519	Pulley 180-6-3V	1				
13	203067	Snap ring for shaft \varnothing 35	1				
14	768713	Trapeze belt	6				
15	520205	Bolt 1/2" - 13 UNC x 1.1/4"	4				
16	908582	Lock washer 1/2"	4				
17	818112	Flat washer 130 x 240 x 30	4				
18	757559	Hex. bolt M10 x 30 x 1.25	6				
19	623884	Flat washer 10.5 x 21 x 2 - steel	10				
20	209395	Lock washer M10	6				
21	907030	Hex. nut M10 x 1.25	6				

Controlled copy – Distribution and reproduction prohibited

PUMP JP-150 ASSEMBLY



B-117

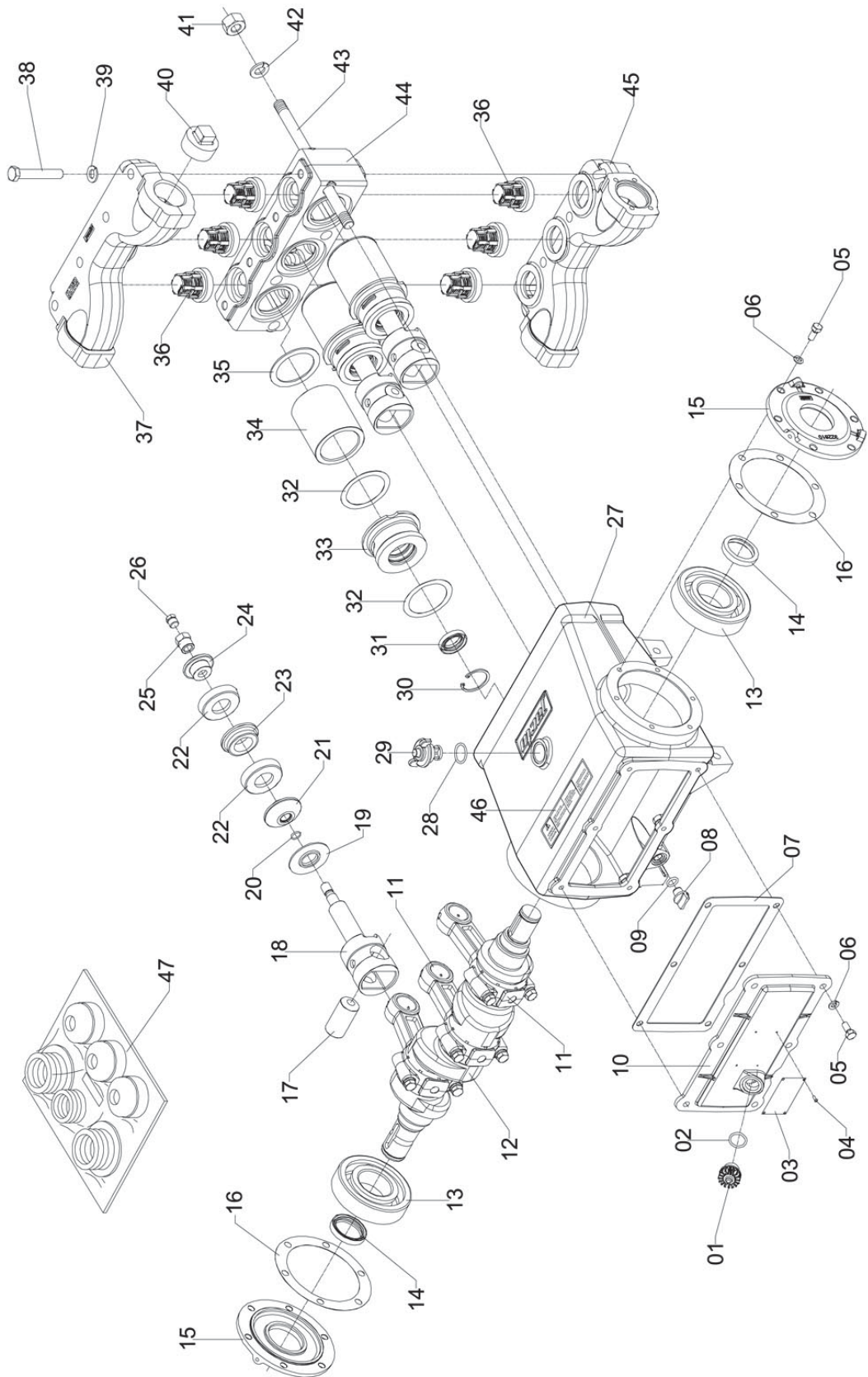
PUMP JP-150 ASSEMBLY

Continuation

Item	CODE	DESCRIPTION	Qty.	Item	CODE	DESCRIPTION	Qty.
00	694307	Pump JP-150 assembly	1				
01	213736	Plug 1/2" BSP	1				
02	210146	O-ring OR1-117	1				
03	1159487	Identification plate "Engraved"	1				
04	109587	Round head rivet	4				
05	663153	Hex. bolt 5/16" - 18 UNC x 3/4"	18				
06	519736	Lock washer M8	18				
07	322834	Packing 132 x 262 x 1.59	1				
08	520775	Drain plug 1/4" BSP	1				
09	325290	O-ring OR1-112	1				
10	322776	Pump cover	1				
11	038778	Connecting rod assembly	3				
12	240838	Crankshaft	1				
13	325506	Bearing 6310	2				
14	323170	Retainer 01920	2				
15	322610	Bearing flange	2				
16	322883	Packing 110 x 145 x 0.4	2				
17	322909	Connecting rod shaft	3				
18	322933	Guide with rode	3				
19	322842	Scraper ring	3				
20	120071	O-ring ORI - 015	3				
21	585604	Piston cup base	3				
22	581363	Piston cup	6				
23	585588	Piston cup spacer	3				
24	585596	Piston cup fastener	3				
25	585612	Hex. nut 1/2" UNF (stainless)	3				
26	585638	Locking screw 1/2" UNF x 15 (stainless)	3				
27	322669	Pump body	1				
28	012724	O-ring ORI-119	1				
29	328542	Plug w 3/4" BSP	1				
30	916775	Snap ring for hole w 40	3				
31	323188	Retainer 72	3				
32	322867	Packing	6				
33	322826	Sleeve guide	3				
34	322925	Sleeve (alumina)	3				
35	322875	Seal washer	3				
36	587378	Valve for pump w 24 - model "D"	6				
37	044487	Valves cover	1				
38	429258	Screw 1/2" - 13 UNC x 3" - stainless steel	8				
39	908582	Lock washer 1/2"	8				
40	427948	Plug w 1.1/2" BSP	2				
41	916734	Hex. nut 5/8" - 11 UNC	4				
42	764142	Lock washer M16	4				
43	322891	Stud bolt 5/8" - 11 UNC x 240 - stainless steel	4				
44	322735	Pump head	1				
45	328799	Valves cover (suction)	1				
46	959957	Sticker: "Keep oil on level"	1				
47	692491	Repair kit VIII	1				
	824201	Lubricating oil - Texaco	1				

Controlled copy – Distribution and reproduction prohibited

PUMP JP-190 ASSEMBLY



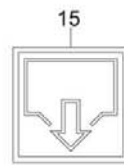
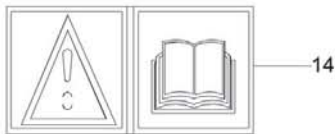
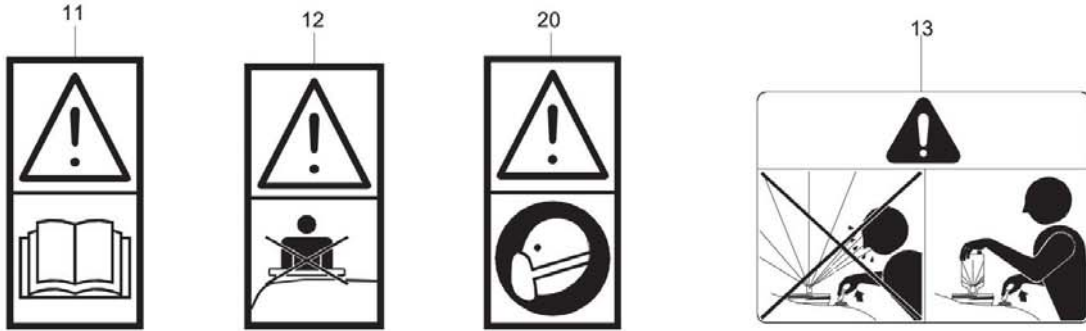
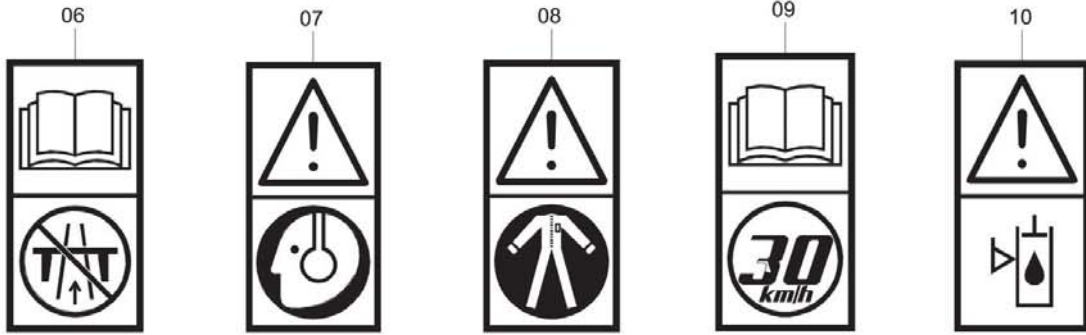
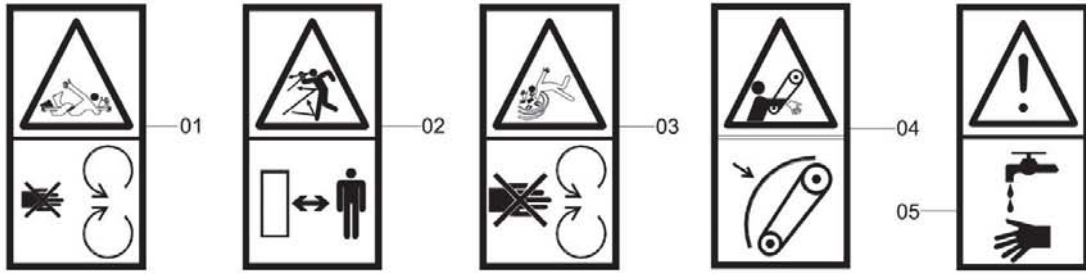
B-117

PUMP JP-190 ASSEMBLY

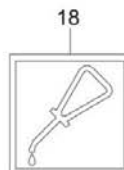
Continuation

Item	CODE	DESCRIPTION	Qty.	Item	CODE	DESCRIPTION	Qty.
00	694315	Pump JP-190 assembly	1				
01	213736	Plug 1/2" BSP	1				
02	210146	O-ring OR1-117	1				
03	1159487	Identification plate "Engraved"	1				
04	109587	Round head rivet	4				
05	663153	Hex. bolt 5/16" - 18 UNC x 3/4"	18				
06	519736	Lock washer M8	18				
07	322834	Packing 132 x 262 x 1.59	1				
08	520775	Drain plug 1/4" BSP	1				
09	325290	O-ring OR1-112	1				
10	322776	Pump cover	1				
11	038778	Connecting rod assembly	3				
12	240838	Crankshaft	1				
13	325506	Bearing 6310	2				
14	323170	Retainer 01920	2				
15	322610	Bearing flange	2				
16	322883	Packing 110 x 145 x 0.4	2				
17	322909	Connecting rod shaft	3				
18	322933	Guide with rode	3				
19	322842	Scraper ring	3				
20	120071	O-ring ORI - 015	3				
21	585604	Piston cup base	3				
22	581363	Piston cup	6				
23	585588	Piston cup spacer	3				
24	585596	Piston cup fastener	3				
25	585612	Hex. nut 1/2" UNF (stainless)	3				
26	585638	Locking screw 1/2" UNF x 15 (stainless)	3				
27	322669	Pump body	1				
28	012724	O-ring ORI-119	1				
29	328542	Plug w 3/4" BSP	1				
30	916775	Snap ring for hole w 40	3				
31	323188	Retainer 72	3				
32	322867	Packing	6				
33	322826	Sleeve guide	3				
34	322925	Sleeve (alumina)	3				
35	322875	Seal washer	3				
36	587378	Valve for pump w 24 - model "D"	6				
37	044487	Valves cover	1				
38	429258	Screw 1/2" - 13 UNC x 3" - stainless steel	8				
39	908582	Lock washer 1/2"	8				
40	427948	Plug w 1.1/2" BSP	2				
41	916734	Hex. nut 5/8" - 11 UNC	4				
42	764142	Lock washer M16	4				
43	322891	Stud bolt 5/8" - 11 UNC x 240 - stainless steel	4				
44	322735	Pump head	1				
45	328799	Valves cover (suction)	1				
46	959957	Sticker: "Keep oil on level"	1				
47	692491	Repair kit VIII	1				
	824201	Lubricating oil - Texaco	1				

STICKER (TRAILER ARBUS LINE)



			lbf/pol ²	Kgf/cm ²
Arbus 500	175/70 R13		32	2.25
Arbus 500	7.35-14		26	1.85
Arbus 1000	7.35-14		36	2.55
Arbus 1500/725	7.50-16		36	2.55
Arbus 1500/850	11L-15		44	3.10
Arbus 2000/750	11L-15		44	3.10
Arbus 2000/850	11L-15		44	3.10
Arbus 2000/850	7.50-16		50	3.50
Arbus 2000/850	12.5/80-18		24	1.70
Arbus 4000/850	16.0-20		36	2.50
Jatão 1000	11L-15		24	1.70
Jatão 2600	11L-15		44	3.10
Jatão 2600	7.50-16		50	3.50
Jatão 2600	12.4-24		26	1.83
Coral 2P e EM	7.5-16		56	3.95



	Kgf.m	N.m	lbf.ft	
M16	19.3 - 25.2	190 - 247	140 - 182	
M20	39 - 50	383 - 490	282 - 362	
1/2"	10.3 - 11.7	100 - 115	75 - 85	
5/8"	18 - 23.5	176 - 230	130 - 169	

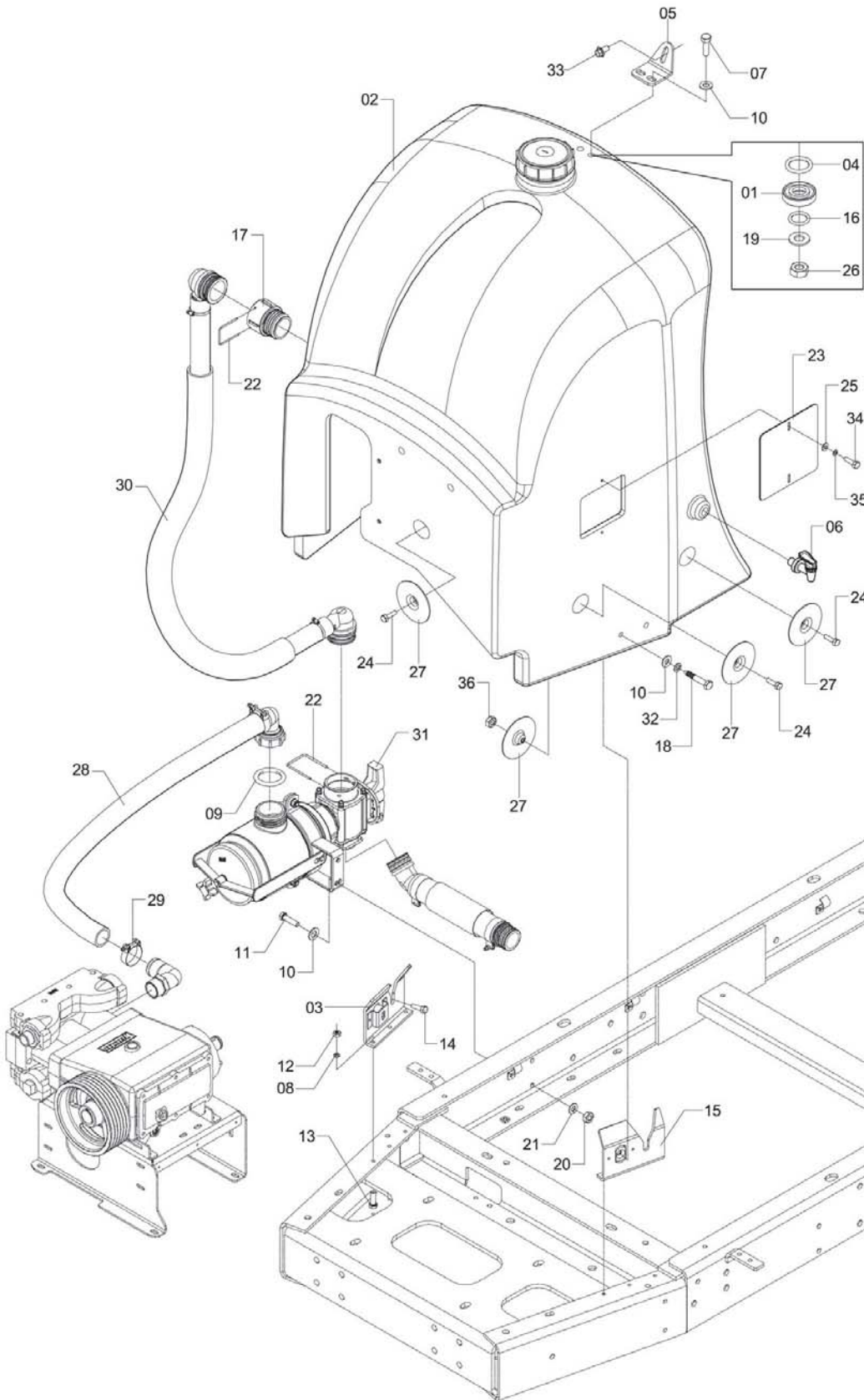
ADS-210

STICKER (TRAILER ARBUS LINE)

Continuation

Item	CODE	DESCRIPTION	Qty.	Item	CODE	DESCRIPTION	Qty.
00	906008	Sticker (Trailer Arbus line)	1				
01	379008	Decal "Danger - PTO Shaft"	1				
02	379040	Decal (Attention: Keep away)	1				
03	379057	Sticker: "Keep at a Distance - Fan"	1				
04	379065	Decal "Keep all protection devices in their places."	1				
05	379073	Sticker: "Tank - Water for Washing Hands"	1				
06	379222	Decal "Attention: This machined is not allowed in highways."	1				
07	379123	Decal "Obligatory use of the hearing protector."	1				
08	379131	Decal "Obligatory use of protective clothing."	1				
09	379214	Sticker: "Maximum Speed 30 KM/H"	1				
10	379107	Sticker: "Hydraulic Oil Level"	1				
11	379248	Sticker: "Read Manual" Vertical	1				
12	380014	Decal (Attention: do not get into the main tank of the sprayer)	1				
13	169128	Sticker: "Chemical container rinse nozzle"	1				
14	379230	Sticker: "Read Manual" Horizontal	1				
15	389387	Sticker: "Drain Indication"	1				
16	276238	Sticker: "Jack Positioning Indication"	2				
17	391631	Sticker: "Tire Pressure Indication"	2				
18	395061	Sticker: "Lubrication Point Indication - Oil"	2				
19	379164	Sticker: "Nut Torque"	2				
20	379115	Decal "Obligatory use of the protective mask."	1				

FRONT HOOD ASSEMBLY



CD-1136

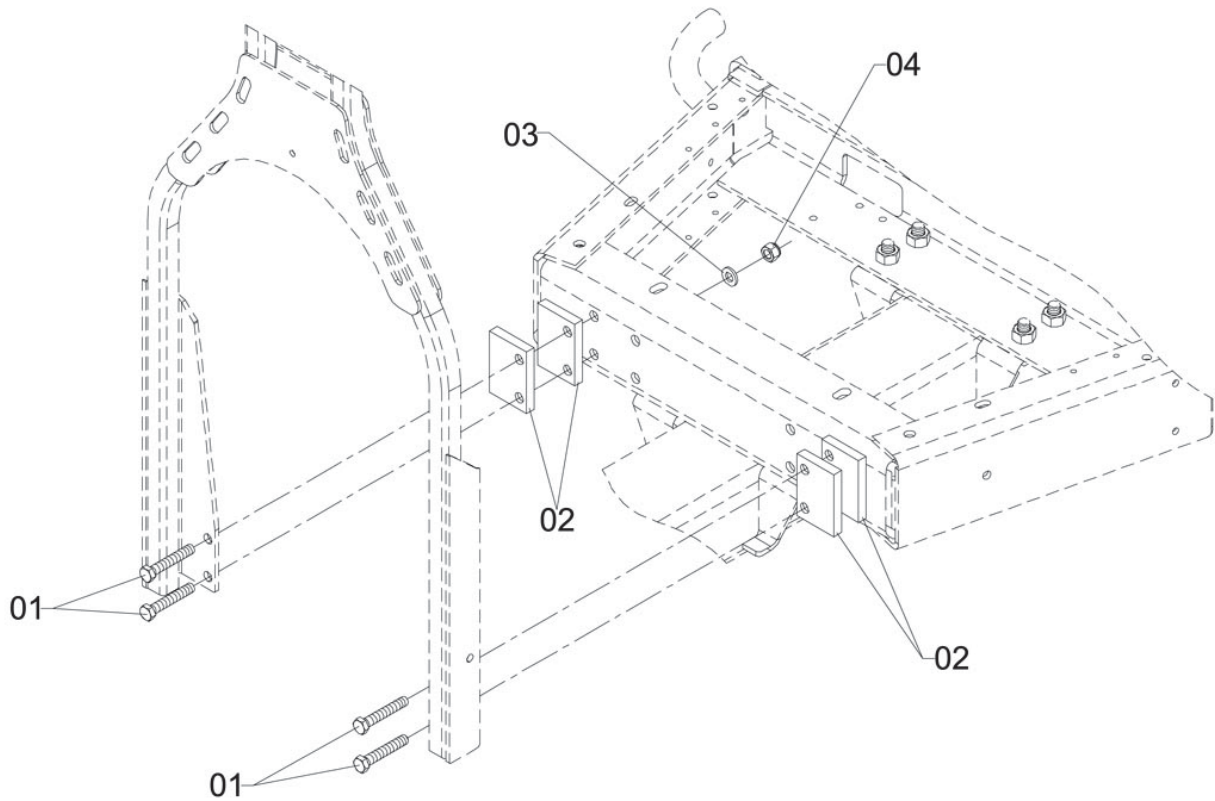
FRONT HOOD ASSEMBLY

Continuation

Item	CODE	DESCRIPTION	Qty.	Item	CODE	DESCRIPTION	Qty.
00	288688	Front hood assembly	1				
01	155473	Sealing washer 1" x 10.5	2				
02	268755	Hood with 90-liter tank and cover	1				
03	277228	Hood support - right	1				
04	322057	O-ring ORI-114	2				
05	191767	Hood Fastener	1				
06	044180	Plastic tap 23 x 3/8" BSP	1				
07	443838	Bolt M10 x 254 x 19	2				
08	521666	Lock washer M6	6				
09	588665	Packing ring	1				
10	623884	Flat washer 10.5 x 21 x 2 - steel	6				
11	757559	Hex. bolt M10 x 30 x 1.25	3				
12	810689	Hex. nut M6 x 1.00	6				
13	810697	Bolt M6 x 1 x 20	6				
14	832170	Hex. bolt M12 x 45 x 1.75 cl 5.8	2				
15	083717	Hood support - Left	1				
16	231845	O-ring OR1-110	2				
17	991703	Tank sump fitting	1				
18	265165	Hood Fastener	2				
19	109678	Flat washer 105 x 254 x 12.4	2				
20	907030	Hex. nut M10 x 1.25	2				
21	209395	Lock washer M10	3				
22	970103	Lock 56	2				
23	1166562	Front hood guard	1				
24	829382	Hex head bolt M8 x 25 x 1.25	5				
25	275602	Flat washer 63 x 130 x 12	2				
26	132167	Hex. nut M10 x 1.5 - stainless steel	2				
27	277236	Washer no. 1000 x 90 x 19	10				
28	283846	Hose - Pump / Filter	1				
29	787309	Clamp 5765	1				
30	292235	Hose - Filter / Cowling	1				
31	279844	Suction filter with valve 200 L/min	1				
32	519736	Lock washer M8	5				
33	1172463	Flange hex head bolt M10 x 1.5 x 20	1				
34	086397	Screw M5 x 12 - Steel	2				
35	520676	Lock washer M5	2				
36	810770	Hex. nut M8 x 1.25	5				

Controlled copy – Distribution and reproduction prohibited

COMPLEMENTS FOR SENSOR SUPPORT



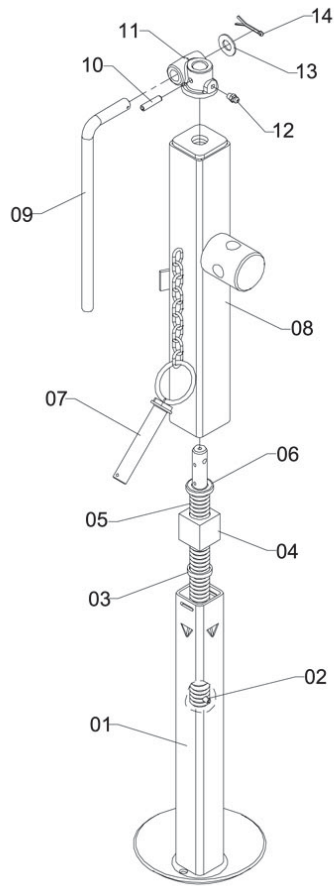
C-485

Item	CODE	DESCRIPTION	Qty.
00	1173275	Complements for Sensor Support	1
01	576371	Screw M12 x 70 x 1,50	4
02	1154447	Sensor Cabinet Spacer	4
03	818112	Flat washer 130 x 240 x 30	4
04	173245	Hex. nut parlock M12 x 1.25	4

Item	CODE	DESCRIPTION	Qty.

Controlled copy – Distribution and reproduction prohibited

JACK NO. 10

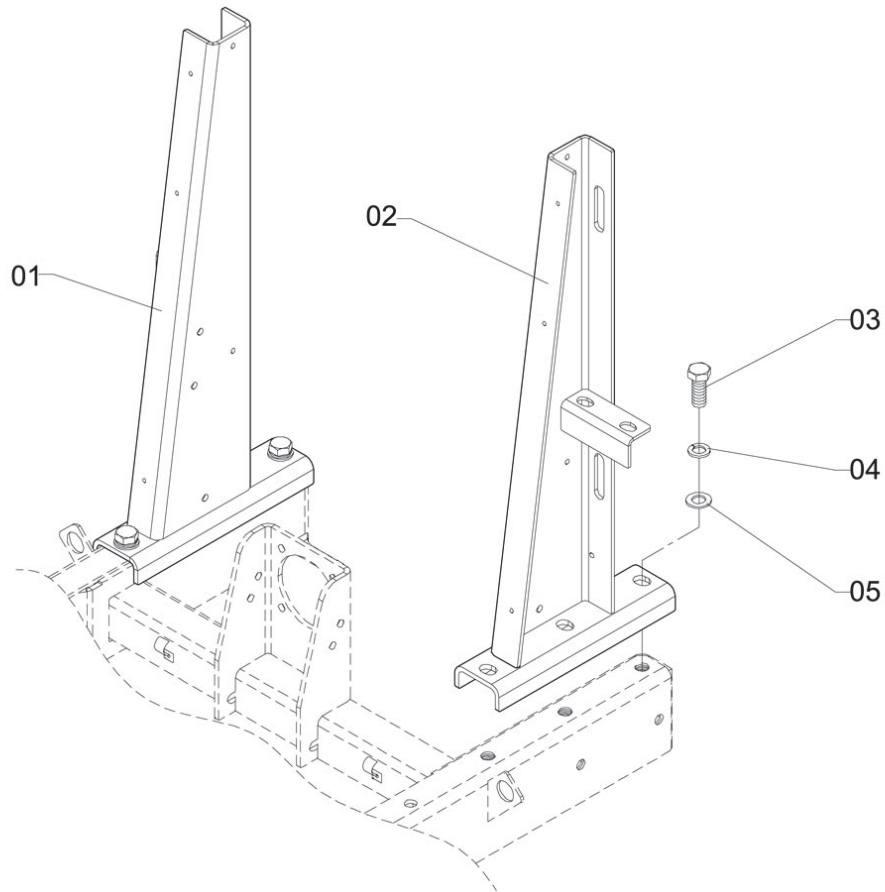


MC-15

Item	CODE	DESCRIPTION	Qty.	Item	CODE	DESCRIPTION	Qty.
00	431064	Jack no. 10	1				
01	670364	Sliding bar	1				
02	103978	Flexible pin 6 x 24	1				
03	429803	Seat ring	1				
04	426544	Square nut	1				
05	330019	Screw \varnothing 7/8" - 9 UNC x 360	1				
06	330084	Bearing	1				
07	431106	Lock pin	1				
08	670323	Jack body	1				
09	331314	Jack handle	1				
10	910802	Flexible pin 6 x 28	1				
11	330043	Bolt head	1				
12	910463	Grease nipple 1/4" - 28 UNF	1				
13	315002	Flat washer 130 x 254 x 15	1				
14	910240	Cotter pin \varnothing 3.17 x 25.4	1				

Controlled copy – Distribution and reproduction prohibited

REAR COLUMN AND COMPLEMENTS

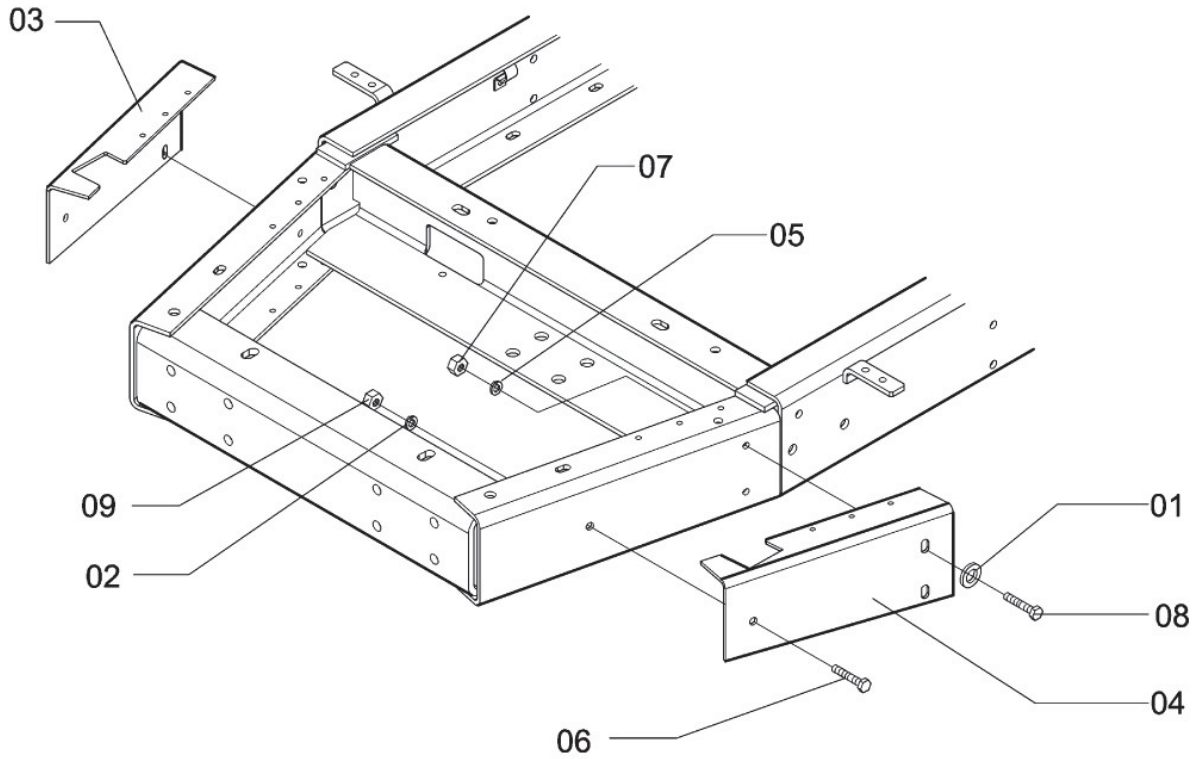


C-488

Item	CODE	DESCRIPTION	Qty.	Item	CODE	DESCRIPTION	Qty.
00	288597	Rear column and complements	1				
01	076273	Right column	1				
02	076265	Left column	1				
03	174334	Hex. head bolt M20 x 50 x 1.50 - CL. 8.8	6				
04	211102	Lock washer 20	6				
05	818153	Flat washer 210 x 370 x 30	6				

Controlled copy – Distribution and reproduction prohibited

ASSEMBLY FOR 90-LITER HOOD SUPPORT

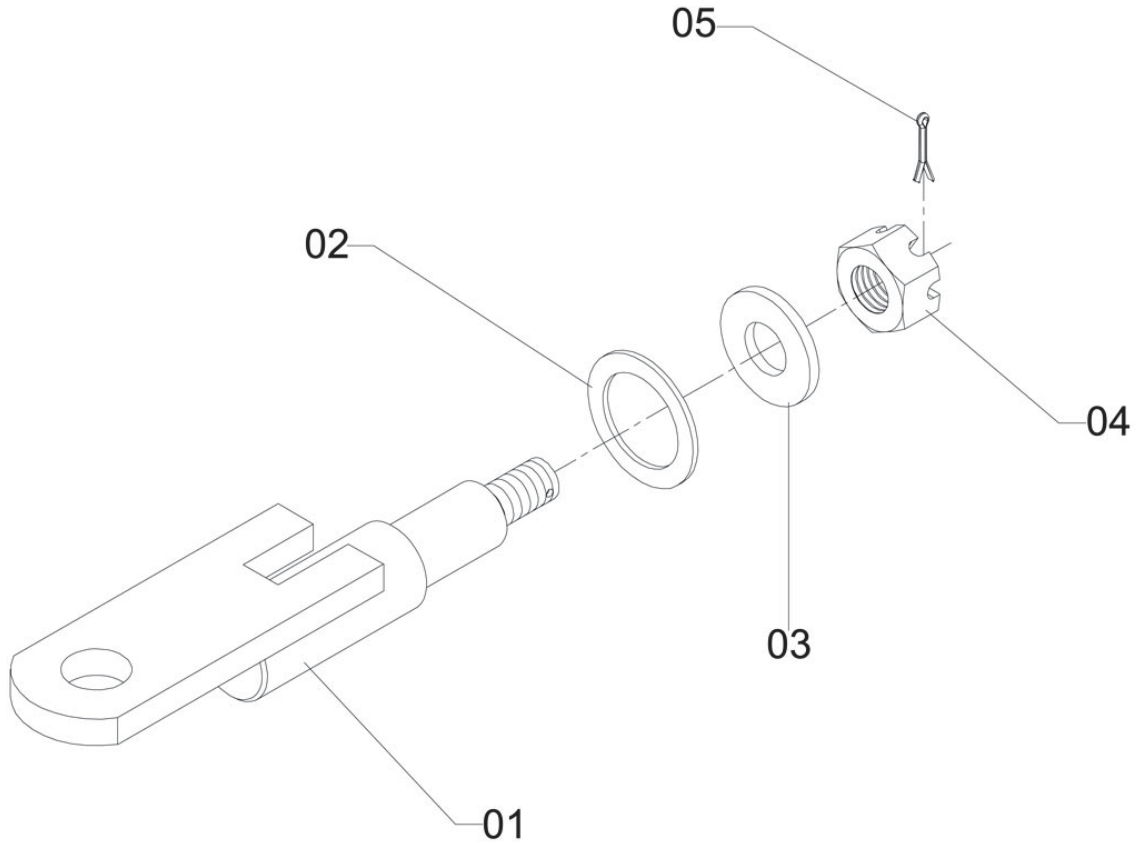


C-83

Item	CODE	DESCRIPTION	Qty.	Item	CODE	DESCRIPTION	Qty.
00	376137	Assembly for 90-Liter Hood Support	1				
01	881276	Flat washer 8.7 x 20 x 12 - steel	4				
02	209395	Lock washer M10	2				
03	361287	90-Liter Tank Support - Right	1				
04	361295	90-Liter Tank Support - Left	1				
05	519736	Lock washer M8	4				
06	757559	Hex. bolt M10 x 30 x 1.25	2				
07	810770	Hex. nut M-8 x 1.25	4				
08	829382	Hex head bolt M8 x 25 x 1.25	4				
09	907030	Hex. nut M10 x 1.25	2				

Controlled copy – Distribution and reproduction prohibited

TRAILER HITCH NO. 8

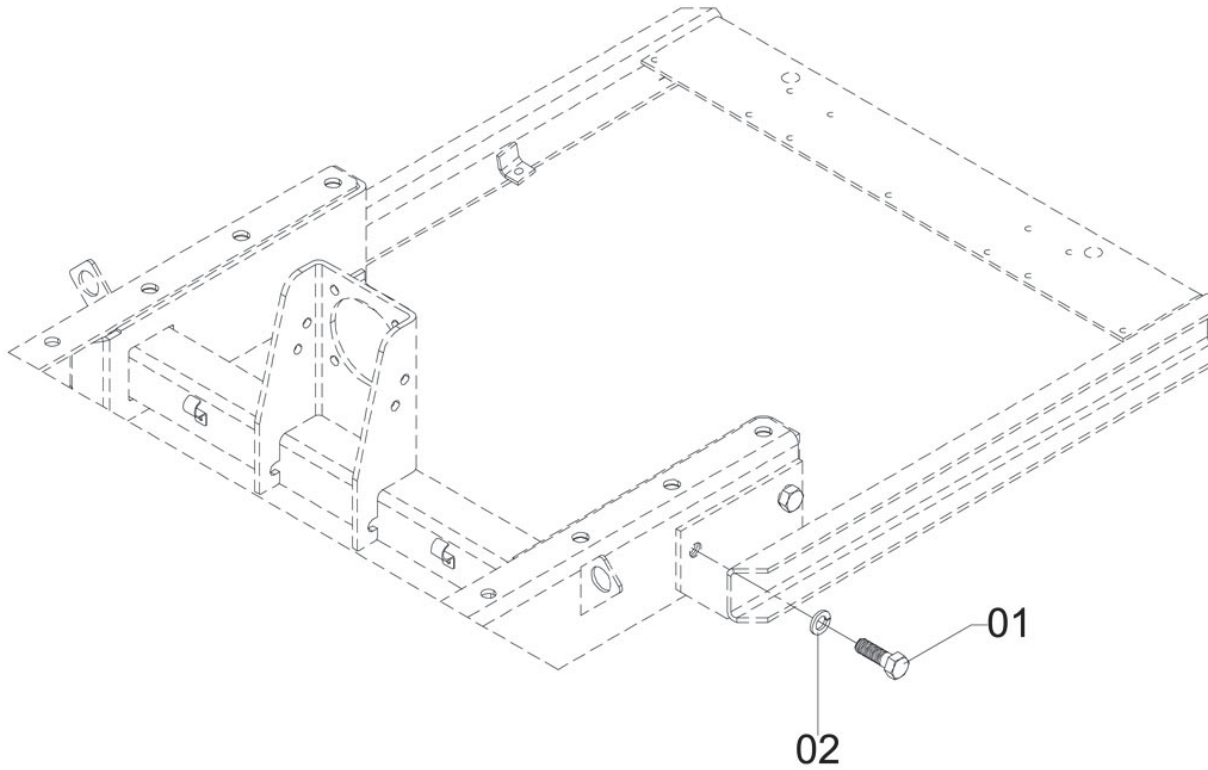


C-490

Item	CODE	DESCRIPTION	Qty.
00	683953	Trailer hitch no. 8	1
01	945436	Trailer hitch no. 8	1
02	007567	Flat washer 500 x 700 x 47.5	1
03	001982	Flat washer 300 x 650 x 63	1
04	625160	Castle nut 1.1/8" - 7 UNC	1
05	209783	Cotter pin ω 4.75 x 38.1	1

Item	CODE	DESCRIPTION	Qty.

BUMPER FASTENING



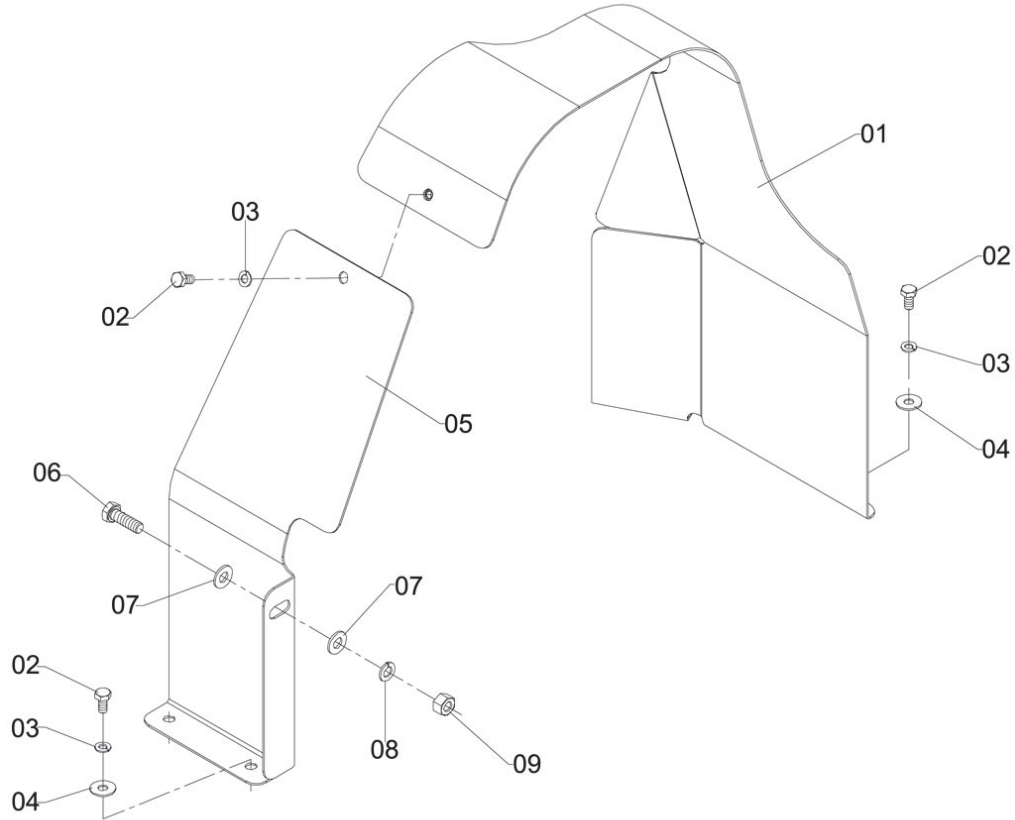
C-391

Item	CODE	DESCRIPTION	Qty.
00	1173190	Bumper fastening	1
01	934422	Hex. bolt M16 x 50	4
02	764142	Lock washer M16	4

Item	CODE	DESCRIPTION	Qty.

Controlled copy – Distribution and reproduction prohibited

PUMP PROTECTION

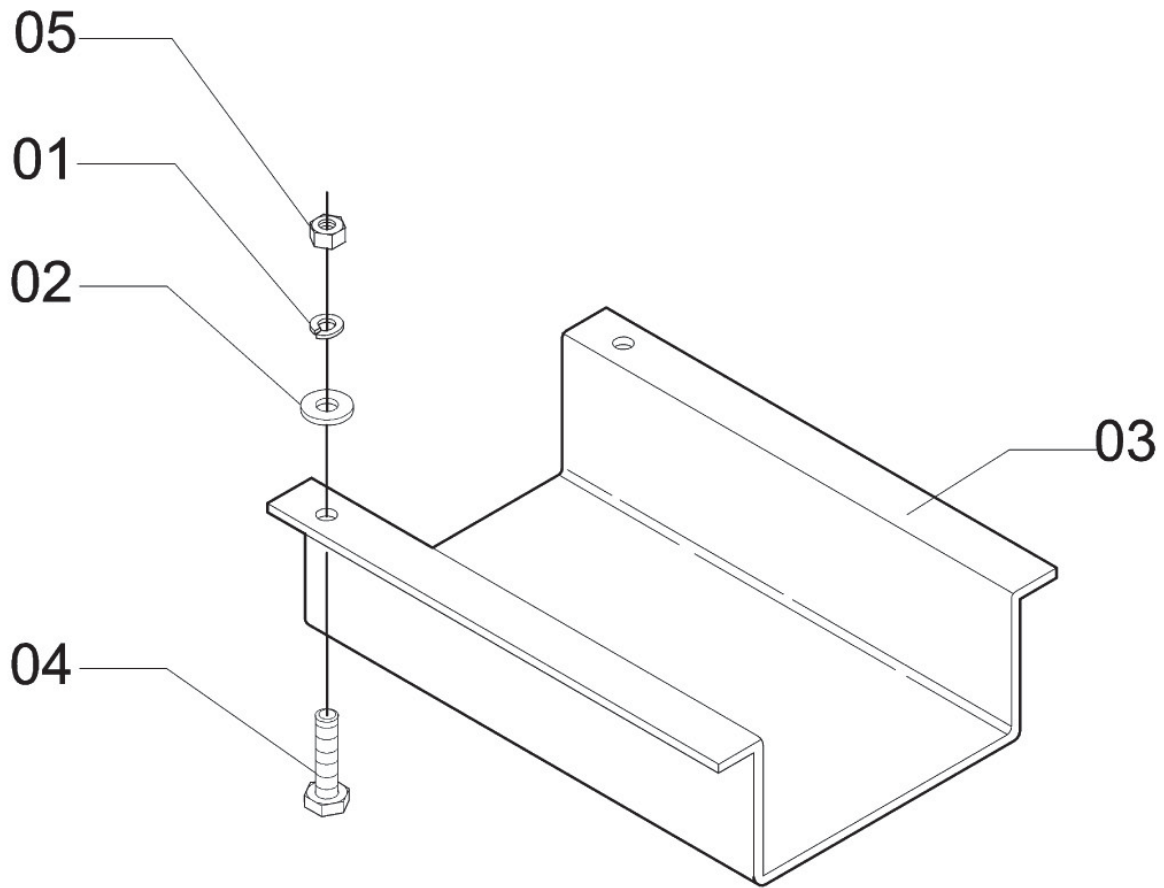


C-486

Item	CODE	DESCRIPTION	Qty.	Item	CODE	DESCRIPTION	Qty.
00	1184070	Pump protection	1				
01	1183834	Agitator protector B-150 Left	1				
02	448019	Hex. head bolt M6 x 12	5				
03	521666	Lock washer M6	5				
04	413468	Flat washer $\text{W}6,8 \times \text{W}18 \times 1,2$	4				
05	1183831	Agitator protector B-150 Right	1				
06	829382	Hex head bolt M8 x 25 x 1.25	1				
07	013433	Flat washer	2				
08	519736	Lock washer M8	1				
09	810770	Hex. nut M8 x 1.25	1				

Controlled copy – Distribution and reproduction prohibited

HOSE PROTECTOR

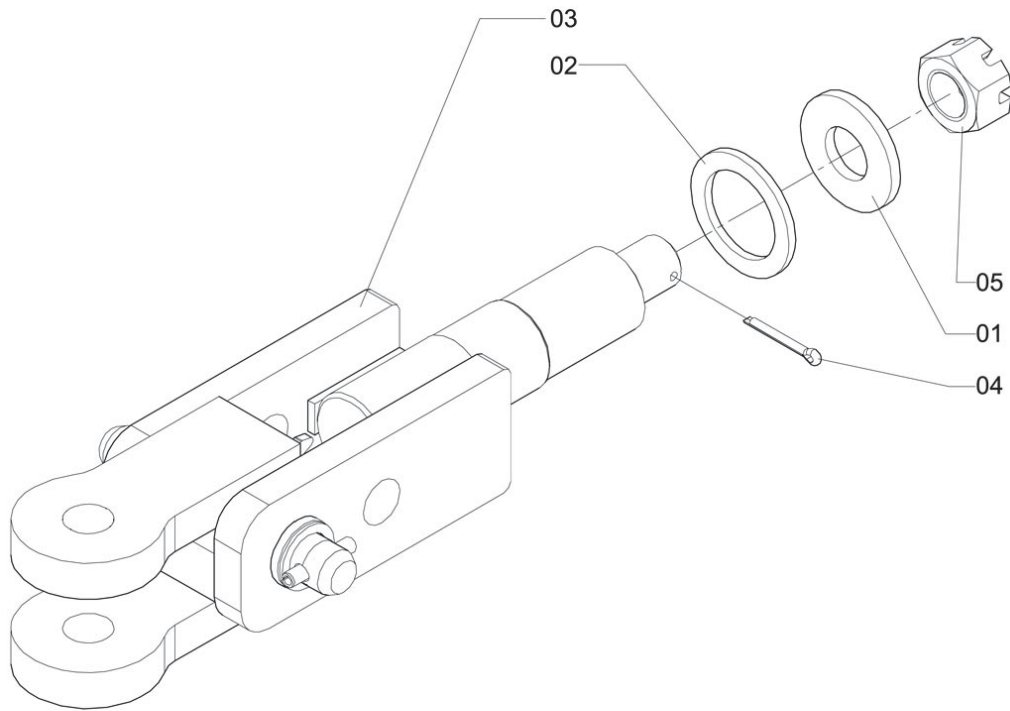


CD-270

Item	CODE	DESCRIPTION	Qty.	Item	CODE	DESCRIPTION	Qty.
00	681973	Hose protector	1				
01	209395	Lock washer M10	2				
02	623884	Flat washer 10.5 x 21 x 2 - steel	2				
03	724195	Protector	1				
04	757559	Hex. bolt M10 x 30 x 1.25	2				
05	907030	Hex. nut M10 x 1.25	2				

Controlled copy – Distribution and reproduction prohibited

ARTICULATED HITCH ASSEMBLY - TRACTOR CLASS "I" ASAE

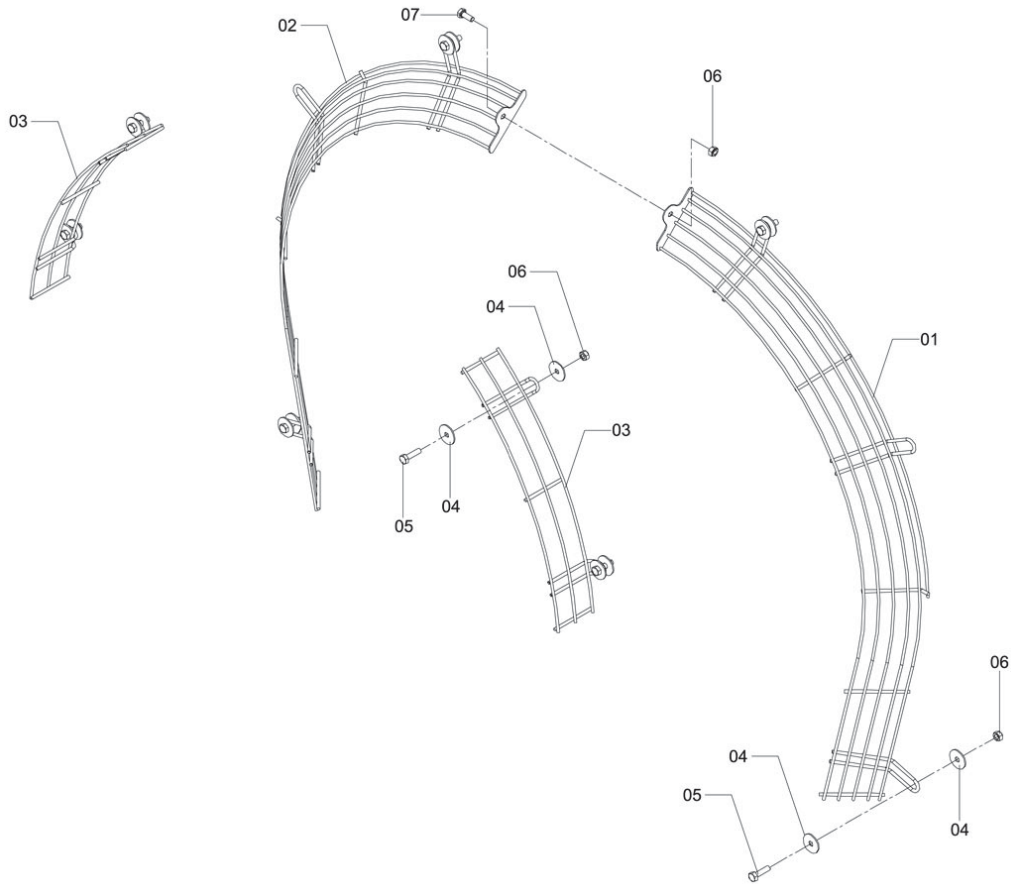


C-498

Item	CODE	DESCRIPTION	Qty.	Item	CODE	DESCRIPTION	Qty.
00	487215	Articulated hitch assembly - Tractor Class "I" ASAE	1				
01	001982	Flat washer 300 x 650 x 63	1				
02	007567	Flat washer 500 x 700 x 47.5	1				
03	1145214	Articulated Hitch	1				
04	209783	Cotter pin ω 4.75 x 38.1	1				
05	625160	Castle nut 1.1/8" - 7 UNC	1				

Controlled copy – Distribution and reproduction prohibited

SIDE GUARD ASSEMBLY - 2P

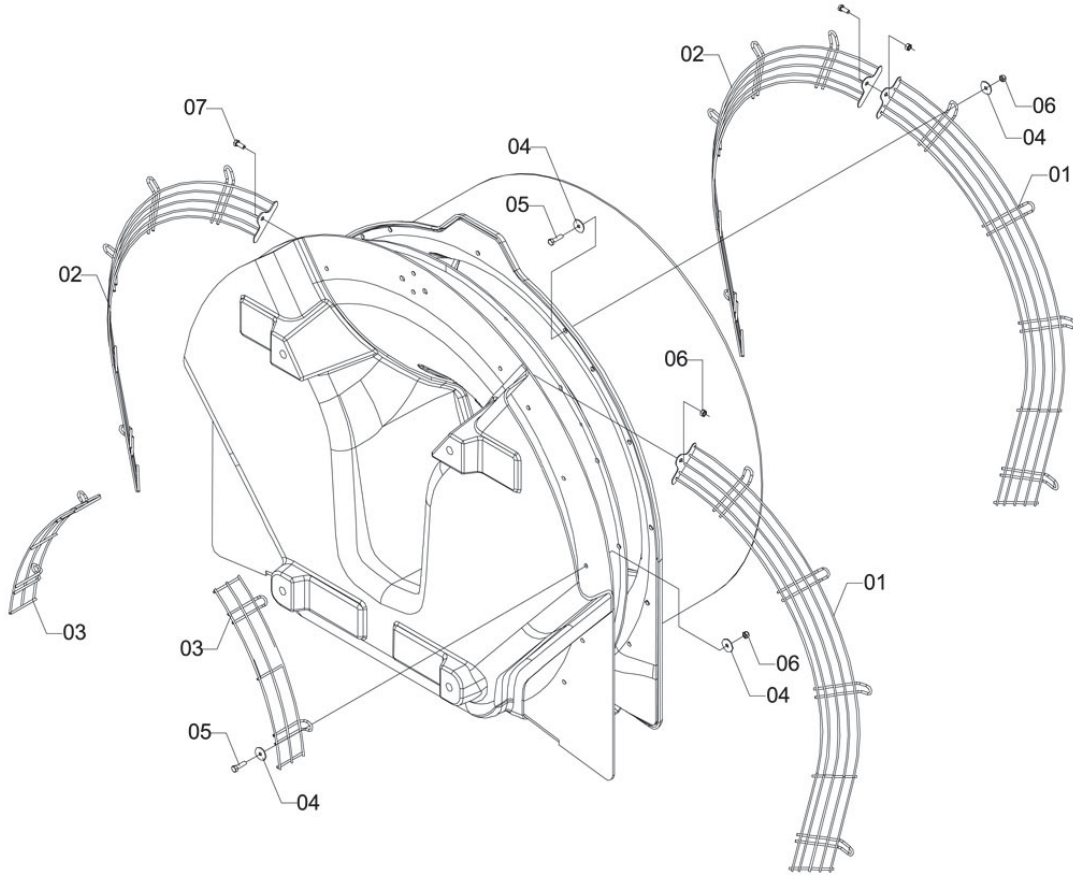


C-431

Item	CODE	DESCRIPTION	Qty.	Item	CODE	DESCRIPTION	Qty.
00	1176041	Side guard assembly - 2P	1				
01	1184268	Left side guard screen	1				
02	1184286	Right side guard screen	1				
03	1175171	Guard Screen of 3rd Deflector 3P	2				
04	1161451	Flat washer ω 8.7 x ω 32 x 1.98 (stainless)	16				
05	448233	Bolt M8 x 30 x 1,25	8				
06	411272	Hexagonal nut M 8 x 1,25	9				
07	924746	Hex head bolt M8 x 20 x 1.25 - stainless steel	1				

Controlled copy – Distribution and reproduction prohibited

SIDE GUARD ASSEMBLY - 3P

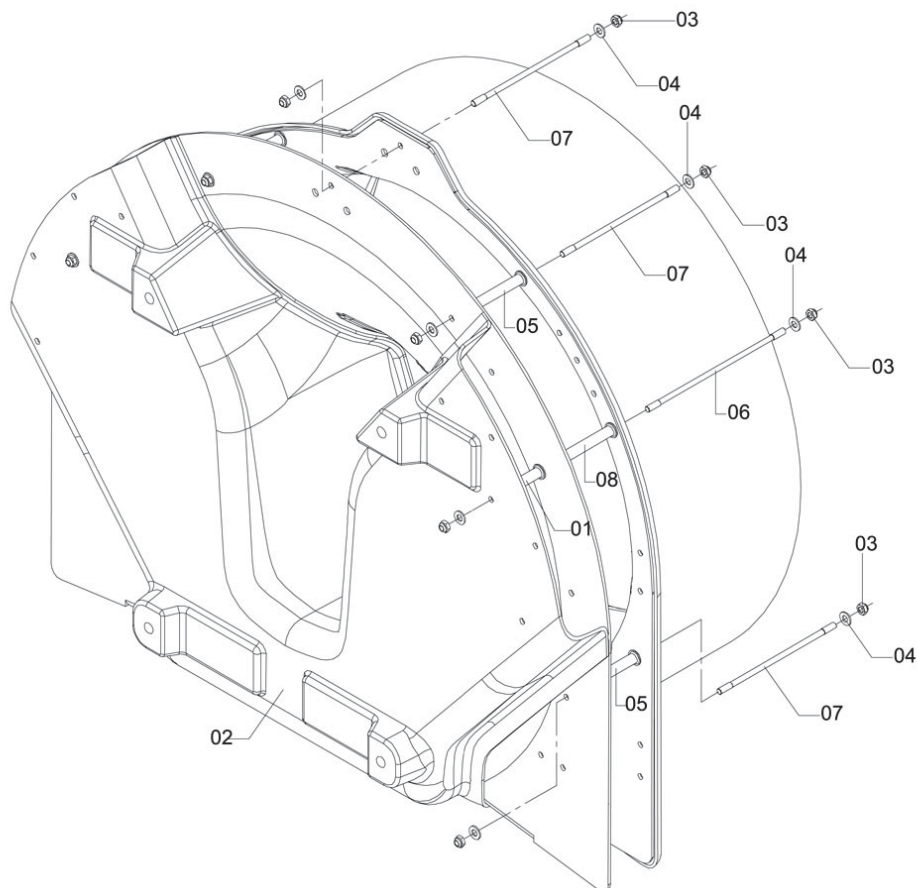


C-430

Item	CODE	DESCRIPTION	Qty.	Item	CODE	DESCRIPTION	Qty.
00	1176032	Side guard assembly - 3P	1				
01	1175112	Left side guard screen - 3P-850	2				
02	1175133	Right side guard screen - 3P-850	2				
03	1175171	Guard Screen of 3rd Deflector 3P	2				
04	1161451	Flat washer ω 8.7 x ω 32 x 1.98 (stainless)	40				
05	448233	Bolt M8 x 30 x 1,25	20				
06	411272	Hexagonal nut M 8 x 1,25	22				
07	924746	Hex head bolt M8 x 20 x 1.25 - stainless steel	2				

Controlled copy – Distribution and reproduction prohibited

DEFLECTOR - 2P



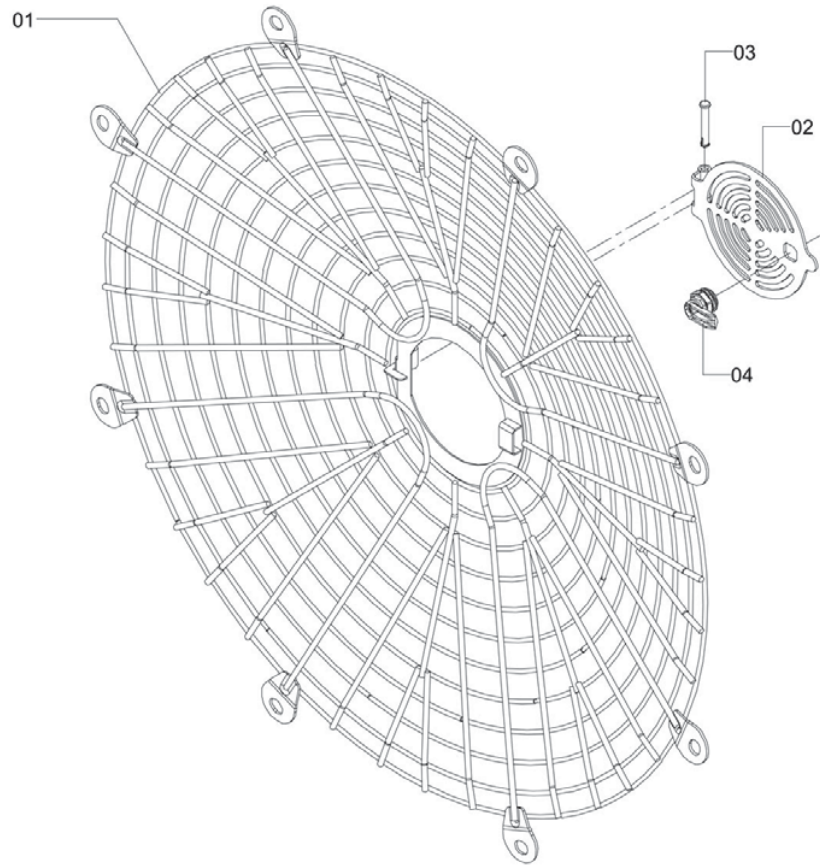
DF-54

Item	CODE	DESCRIPTION	Qty.
00	127613	Deflector - 2P	1
01	019414	Spacer bushing 91mm	2
02	338475	Deflector	1
03	354464	Nut parlock 3/8" - 16 UNC	14
04	623884	Flat washer 10.5 x 21 x 2 - steel	14
05	728410	Spacer bushing 116	4
06	1192025	Stud bolt 3/8" x 285mm	2
07	728444	Stud bolt 3/8" x 175mm	5
08	679308	Spacer 112	2

Item	CODE	DESCRIPTION	Qty.

Controlled copy – Distribution and reproduction prohibited

GUARD SCREEN - ASSEMBLY

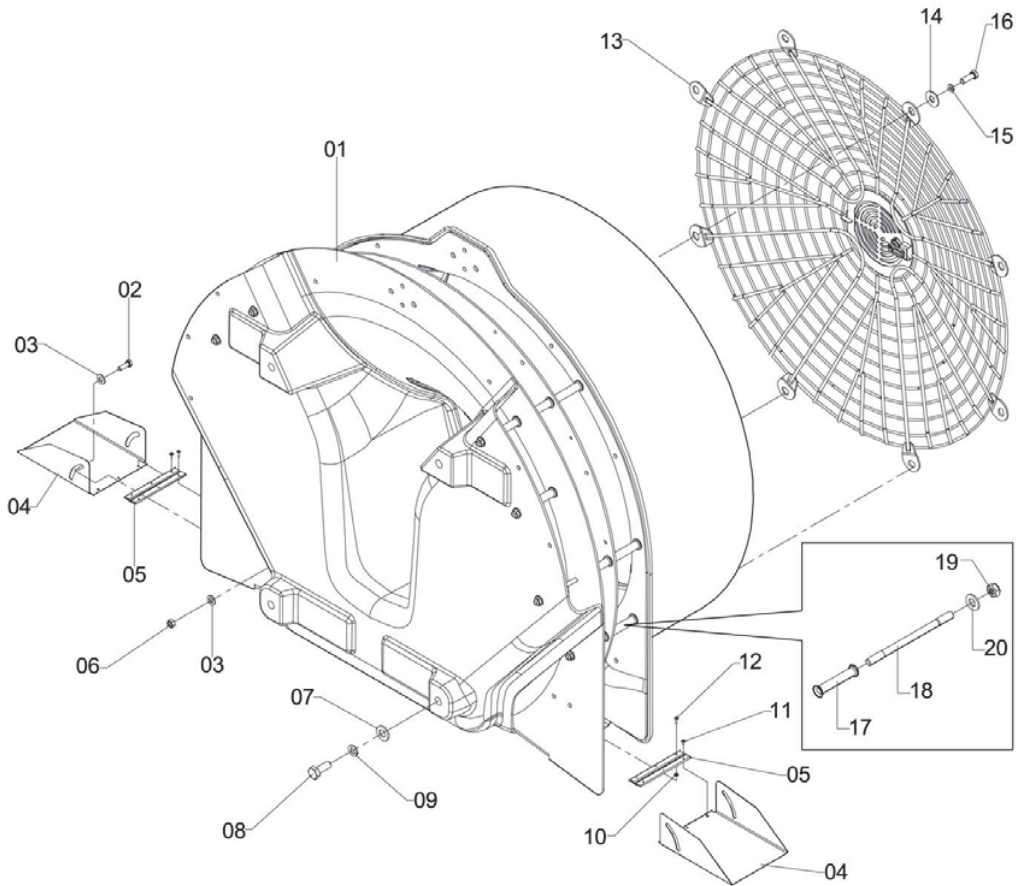


C-432

Item	CODE	DESCRIPTION	Qty.	Item	CODE	DESCRIPTION	Qty.
00	430942	Guard screen - assembly	1				
01	019463	Fan guard screen	1				
02	1165899	Grid unlck	1				
03	847912	Chemical mixer articulator pin	1				
04	1169820	Plastic stop latch key	1				

Controlled copy – Distribution and reproduction prohibited

DEFLECTOR 3P AND COMPLEMENTS

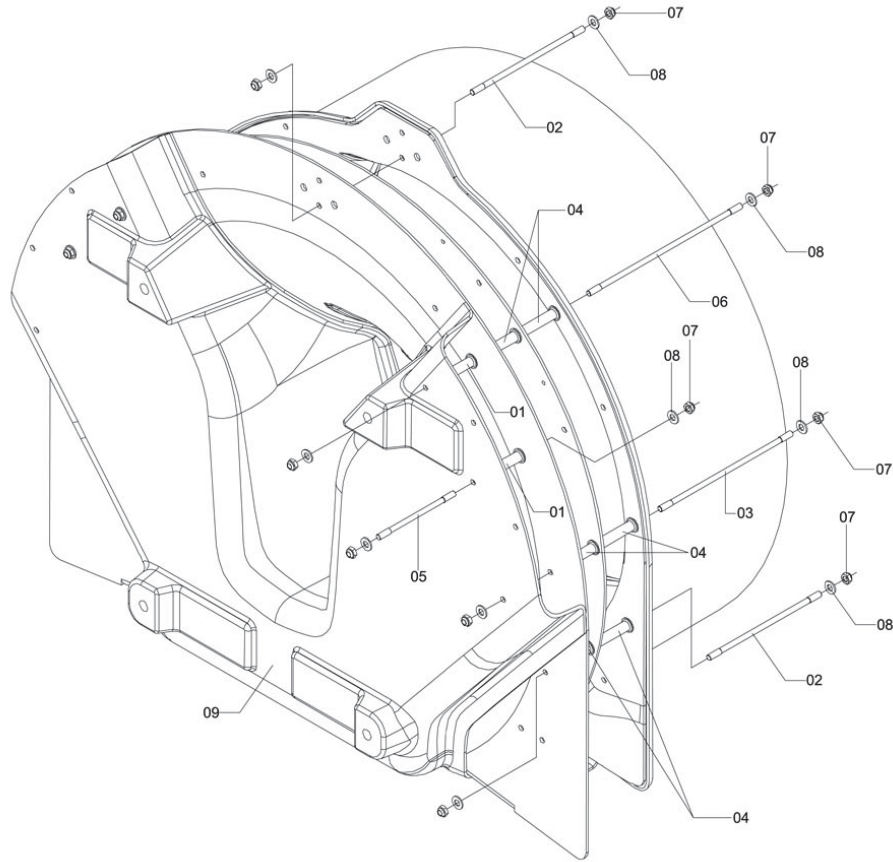


DF-181

Item	CODE	DESCRIPTION	Qty.	Item	CODE	DESCRIPTION	Qty.
00	295550	Deflector 3P and complements	1				
01	016972	Deflector- 3P	1				
02	326587	Bolt 3/8" - 16 UNC x 1" (brass)	4				
03	109678	Flat washer 105 x 254 x 12.4	8				
04	734640	Deflector vane	2				
05	655506	Vane hinge	2				
06	327445	Hex. nut \varnothing 3/8" - 16 UNC	4				
07	818112	Flat washer 130 x 240 x 30	4				
08	829432	Bolt M12 x 35 x 1.75	4				
09	209163	Lock washer M12	4				
10	508515	Flat washer 43 x 102 x 8	6				
11	519769	Rivet Pop - \varnothing 4.0 x 10.2	6				
12	519785	Rivbet Pop	6				
13	430942	Guard screen - assembly	1				
14	420281	Flat washer 82 x 350 x 30	8				
15	519736	Lock washer M8	8				
16	820282	Bolt \varnothing 5/6" - 18 UNC x 1.3/4"	8				
17	019414	Spacer bushing 91mm	2				
18	331140	Stud bolt 3/8" x 335	2				
19	354464	Nut parlock 3/8" - 16 UNC	18				
20	623884	Flat washer 105 x 210 x 20	4				

Controlled copy – Distribution and reproduction prohibited

DEFLECTOR- 3P

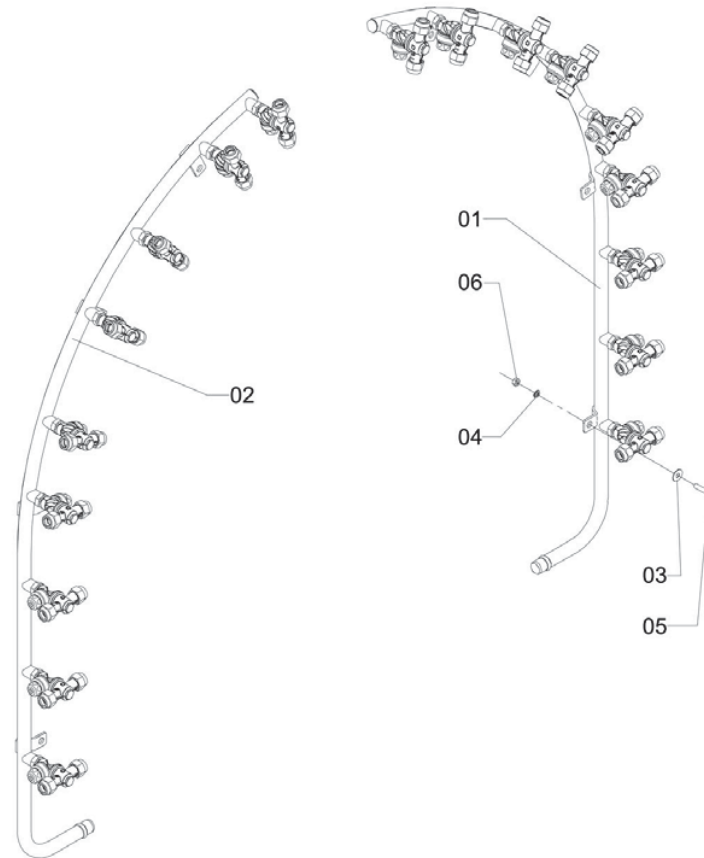


DF-55

Item	CODE	DESCRIPTION	Qty.	Item	CODE	DESCRIPTION	Qty.
00	016972	Deflector- 3P	1				
01	019414	Spacer bushing 91mm	4				
02	204750	Stud bolt 3/8" x 245	3				
03	238220	Stud bolt 3/8"- 16 UNC x 320	2				
04	325050	Spacer bushing 95	12				
05	327866	Stud bolt 3/8" - 16 UNC 145	2				
06	331140	Stud bolt 3/8" x 335	2				
07	354464	Nut parlock 3/8" - 16 UNC	18				
08	623884	Flat washer 10.5 x 21 x 2 - steel	18				
09	735092	Deflector	1				

Controlled copy – Distribution and reproduction prohibited

BRANCHES WITH 9 DOUBLE NOZZLE HOLDER AG - 2P



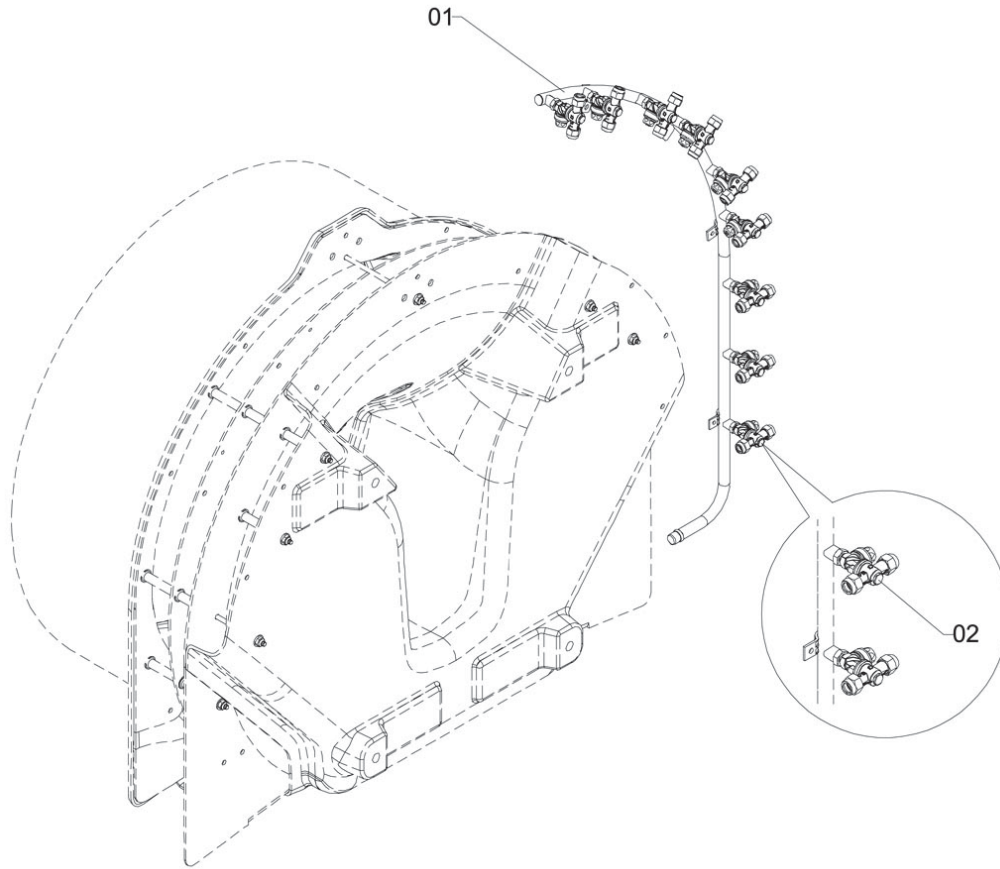
DF-85

Item	CODE	DESCRIPTION	Qty.
00	1187925	Branches with 9 double nozzle holder AG - 2P	1
01	1187838	Branch assembly - 2P Left - 9 nozzle holders	1
02	1187837	Branch assembly - 2P Right - 9 nozzle holders	1
03	712554	Flat washer 70 x 180 x 12,4	8
04	521666	Lock washer M6	8
05	295311	Screw M6 x 25 x 1,00 (stainless)	8
06	730309	Hex. nut M6 x 1.00 - Steel	8

Item	CODE	DESCRIPTION	Qty.

Controlled copy – Distribution and reproduction prohibited

BRANCH ASSEMBLY - 2P LEFT - 9 NOZZLE HOLDERS

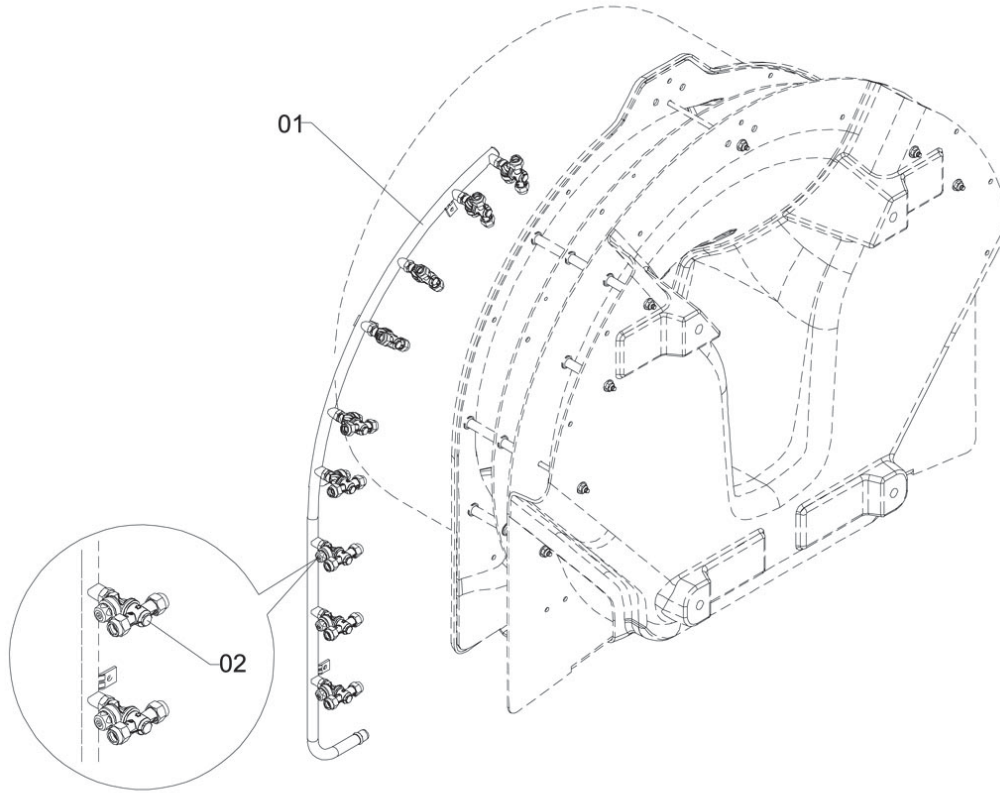


DF-127

Item	CODE	DESCRIPTION	Qty.
00	1187838	Branch assembly - 2P Left - 9 nozzle holders	1
01	1191690	Left Nozzle Branch	1
02	720937	Bijet nozzle holder with non-drip valve	9

Item	CODE	DESCRIPTION	Qty.

BRANCH ASSEMBLY - 2P RIGHT - 9 NOZZLE HOLDERS



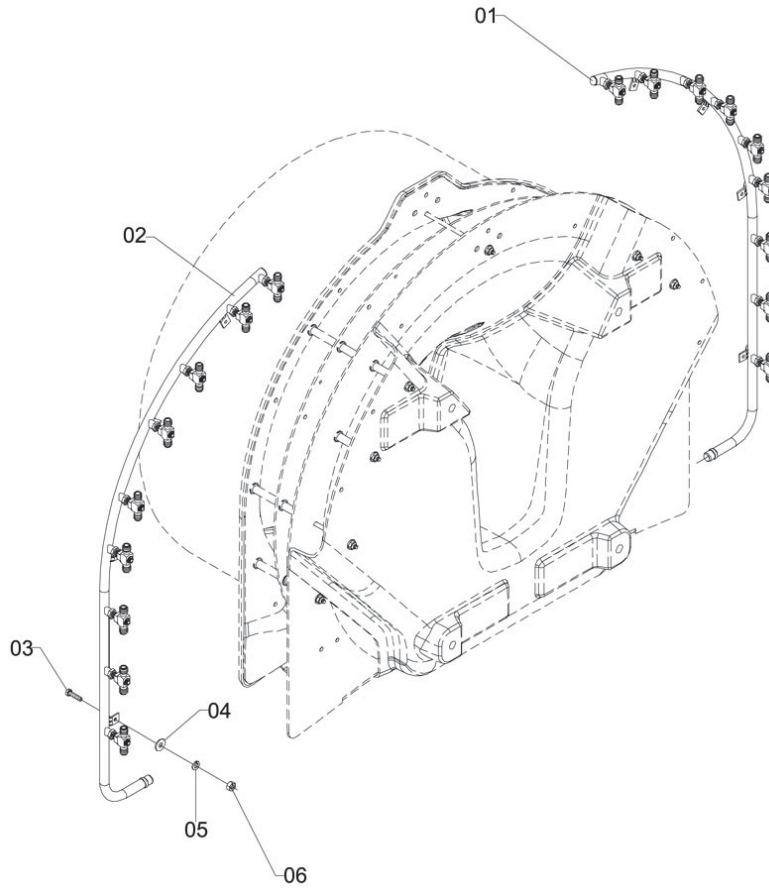
DF-126

Item	CODE	DESCRIPTION	Qty.
00	1187837	Branch assembly - 2P Right - 9 nozzle holders	1
01	1191684	Right Nozzle Branch	1
02	720937	Bijet nozzle holder with non-drip valve	9

Item	CODE	DESCRIPTION	Qty.

Controlled copy – Distribution and reproduction prohibited

BRANCH WITH 9 BIJET NOZZLE HOLDERS FOR DEFLECTOR 2P

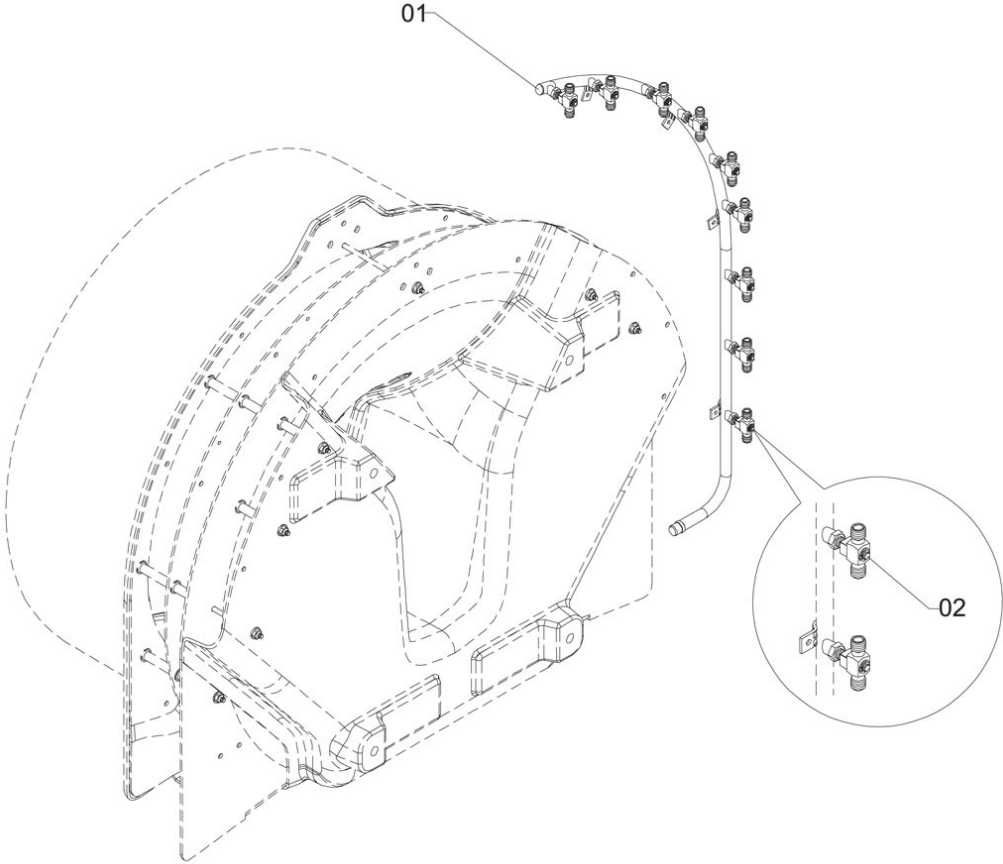


DF-139

Item	CODE	DESCRIPTION	Qty.	Item	CODE	DESCRIPTION	Qty.
00	673913	Branch with 9 bijet nozzle holders for deflector 2P	1				
01	389163	Right nozzle branch (9 nozzles)	1				
02	389171	Right branch assembly - 9 nozzles	1				
03	295311	Screw M6 x 25 x 1,00 (stainless)	8				
04	712554	Flat washer 70 x 180 x 12,4	8				
05	521666	Lock washer M6	8				
06	730309	Hex. nut M6 x 1.00 - Steel	8				

Controlled copy – Distribution and reproduction prohibited

RIGHT NOZZLE BRANCH (9 NOZZLES)

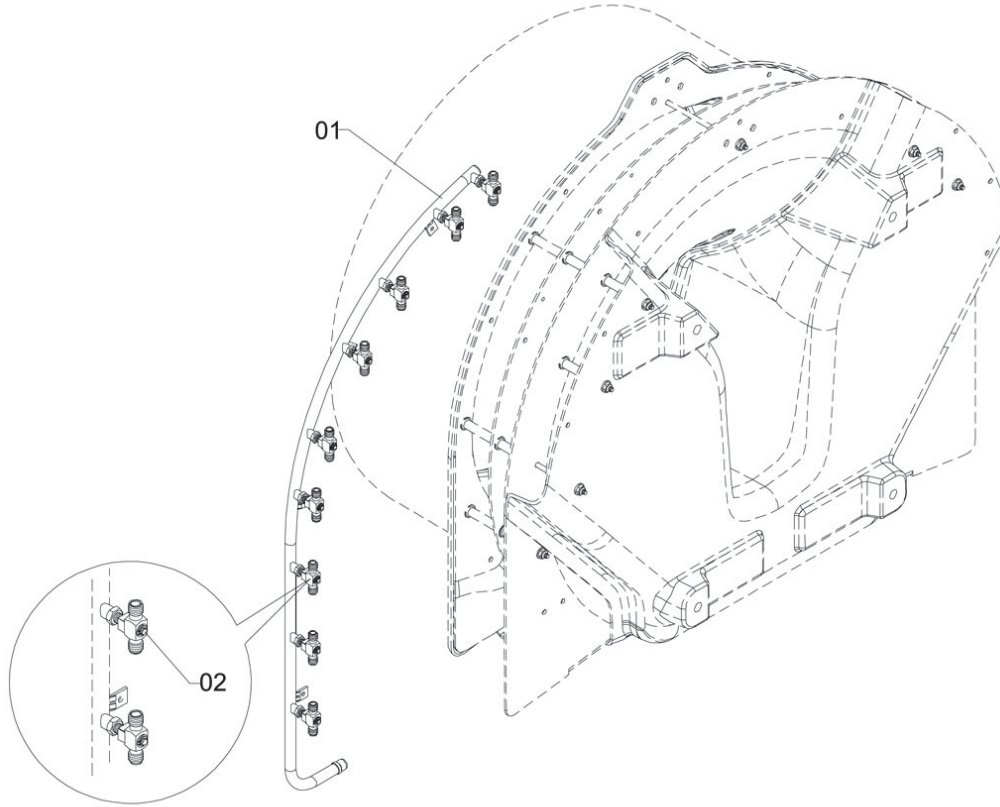


DF-140

Item	CODE	DESCRIPTION	Qty.
00	389163	Right nozzle branch (9 nozzles)	1
01	436964	Left nozzle branch	1
02	340802	Double nozzle holder	9

Item	CODE	DESCRIPTION	Qty.

RIGHT BRANCH ASSEMBLY - 9 NOZZLES

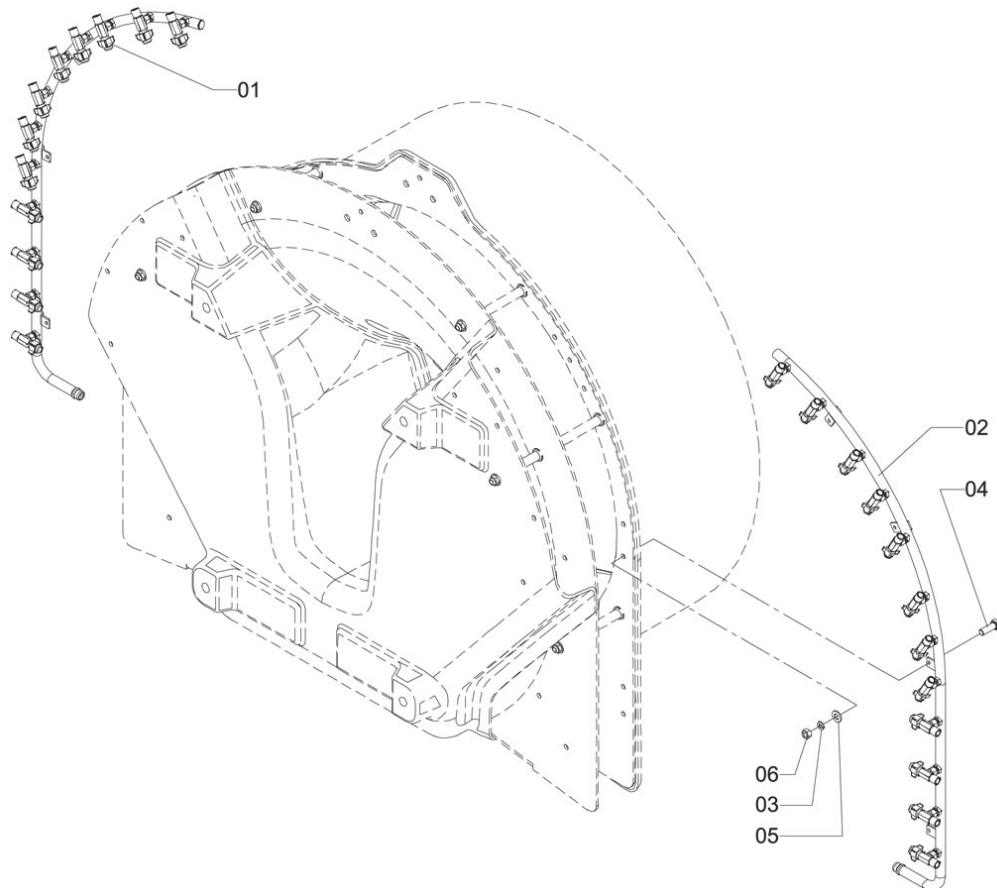


DF-141

Item	CODE	DESCRIPTION	Qty.
00	389171	Right branch assembly - 9 nozzles	1
01	436949	Right nozzle branch	1
02	340802	Double nozzle holder	9

Item	CODE	DESCRIPTION	Qty.

BRANCHES WITH FIXED 12 NOZZLE-HOLDERS FOR 2P DEFLECTOR

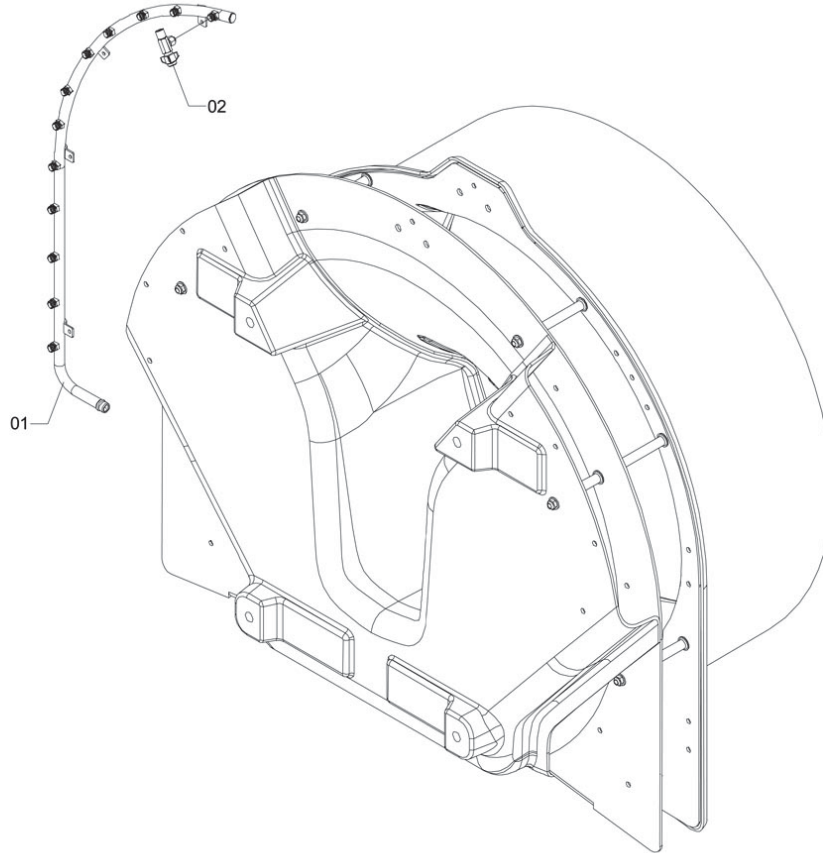


CA-241

Item	CODE	DESCRIPTION	Qty.
00	295899	Branches with fixed 12 nozzle-holders for 2P Deflector	1
01	388686	Right branch for 12 nozzles	1
02	388694	Left branch for 12 nozzles	1
03	295311	Screw M6 x 25 x 1,00 (stainless)	8
04	712554	Flat washer 70 x 180 x 12,4	8
05	521666	Lock washer M6	8
06	730309	Hex. nut M6 x 1.00 - Steel	8

Item	CODE	DESCRIPTION	Qty.

RIGHT BRANCH FOR 12 NOZZLES

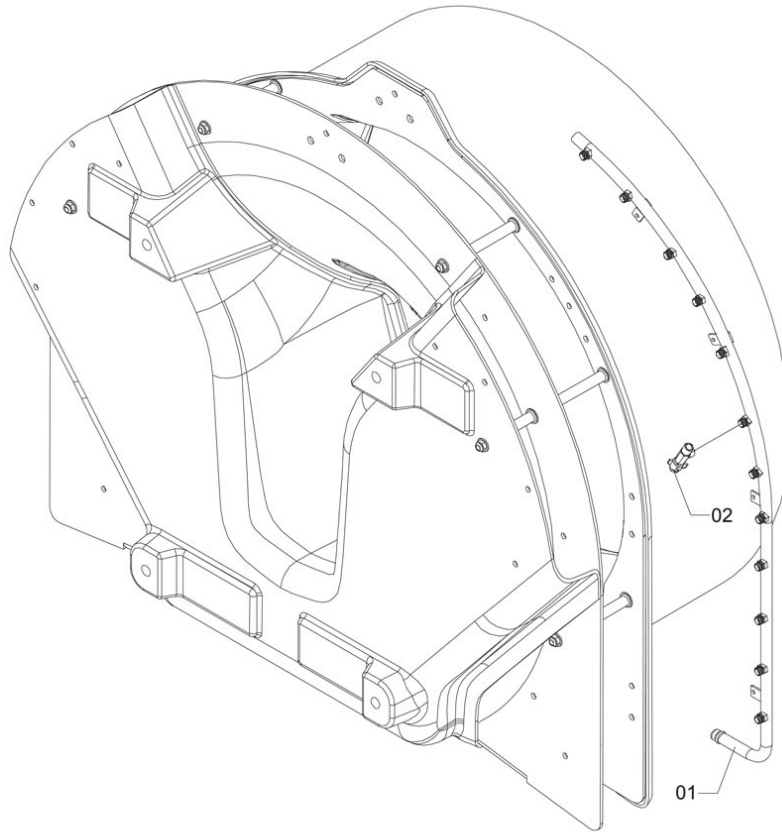


BC-67

Item	CODE	DESCRIPTION	Qty.	Item	CODE	DESCRIPTION	Qty.
00	388686	Right branch for 12 nozzles	1				
01	332197	Right nozzle branch	1				
02	429332	Nozzle valve assembly	12				

Controlled copy – Distribution and reproduction prohibited

LEFT BRANCH FOR 12 NOZZLES



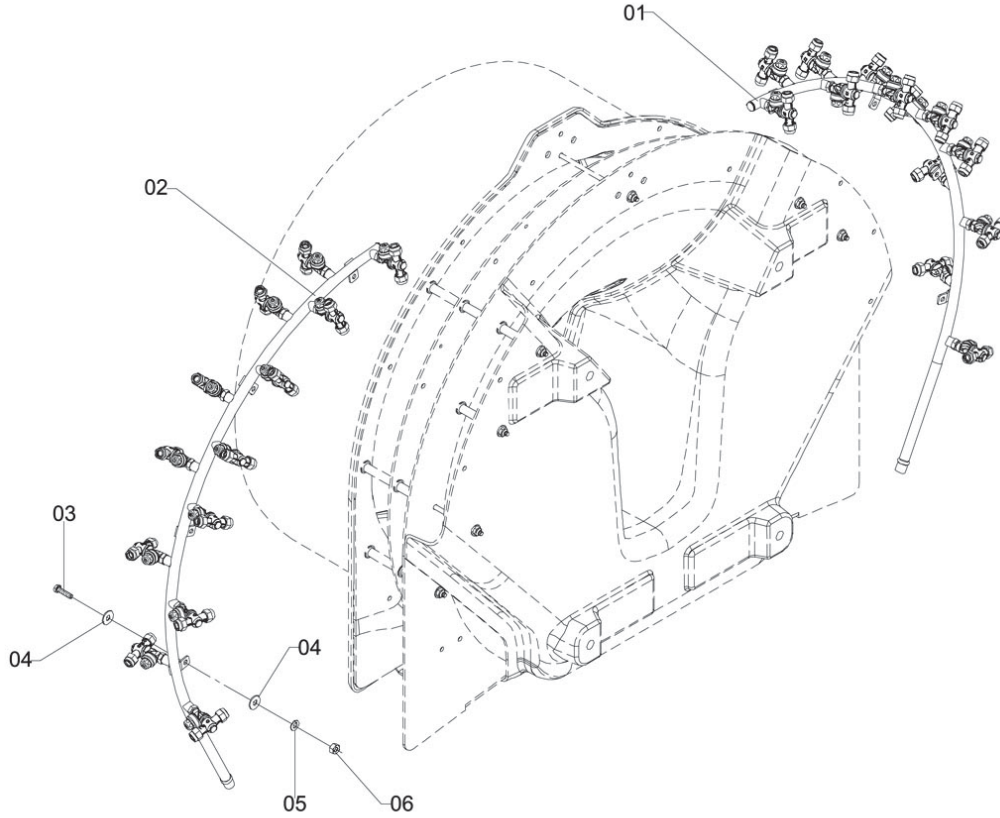
BC-66

Item	CODE	DESCRIPTION	Qty.
00	388694	Left branch for 12 nozzles	1
01	332353	Left nozzle branch	1
02	429332	Nozzle valve assembly	12

Item	CODE	DESCRIPTION	Qty.

Controlled copy – Distribution and reproduction prohibited

BIJET BRANCH - AG 3P - 13 NOZZLE HOLDERS

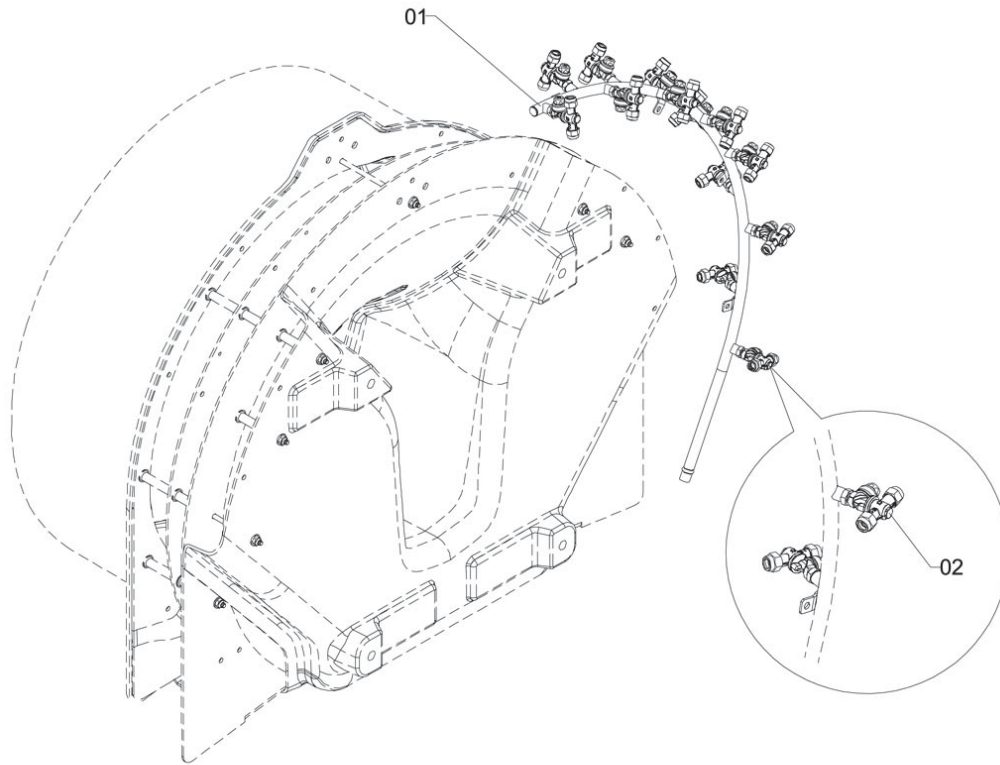


DF-129

Item	CODE	DESCRIPTION	Qty.	Item	CODE	DESCRIPTION	Qty.
00	1187933	Bijet branch - AG 3P - 13 nozzle holders	1				
01	1187839	Branch assembly - 3P Left - 13 bijet nozzle holders	1				
02	1187852	Branch assembly - 3P Right - 13 nozzle holders	1				
03	295311	Screw M6 x 25 x 1,00 (stainless)	8				
04	712554	Flat washer 70 x 180 x 12,4	16				
05	521666	Lock washer M6	8				
06	730309	Hex. nut M6 x 1.00 - Steel	8				

Controlled copy – Distribution and reproduction prohibited

BRANCH ASSEMBLY - 3P LEFT - 13 BIJET NOZZLE HOLDERS

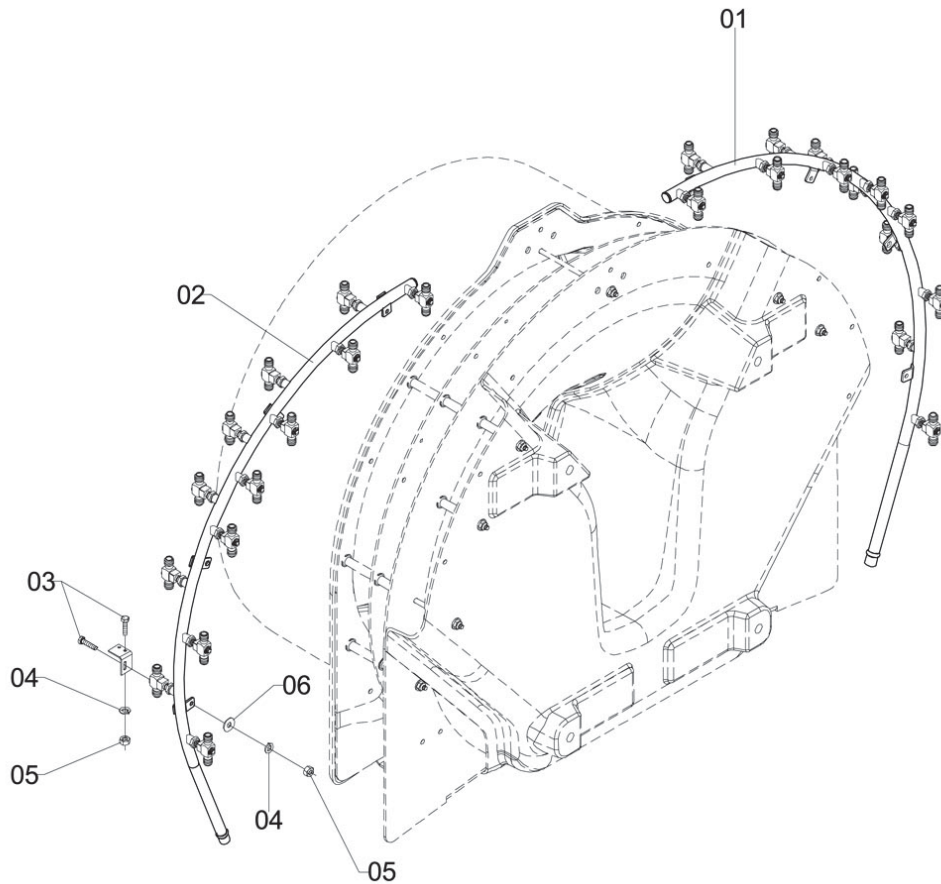


DF-130

Item	CODE	DESCRIPTION	Qty.
00	1187839	Branch assembly - 3P Left - 13 bijet nozzle holders	1
01	1191141	Nozzle branch - Left	1
02	720937	Bijet nozzle holder with non-drip valve	13

Item	CODE	DESCRIPTION	Qty.

BRANCHES WITH 13 BIJET NOZZLE HOLDER FOR 3P DEFLECTOR

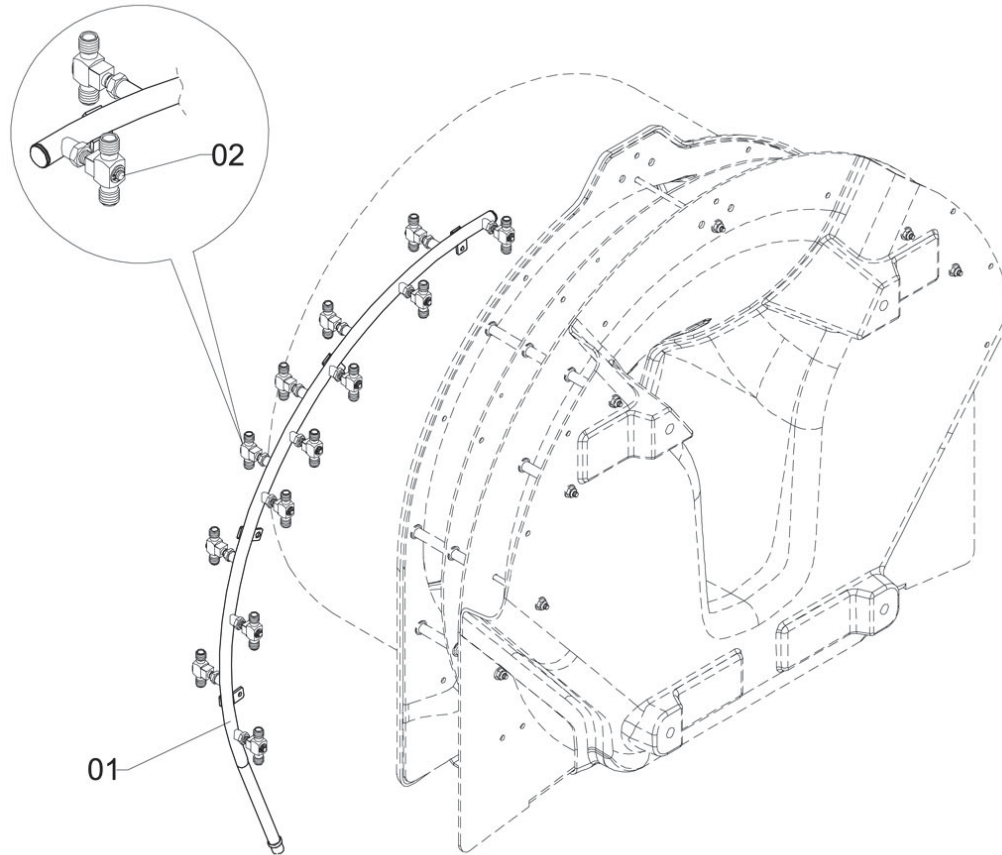


DF-77

Item	CODE	DESCRIPTION	Qty.	Item	CODE	DESCRIPTION	Qty.
00	677476	Branches with 13 Bijet nozzle holder for 3P deflector	1				
01	389007	Right branch for 13 nozzles	1				
02	389023	Left branch for 13 nozzles	1				
03	295311	Screw M6 x 25 x 1,00 (stainless)	8				
04	521666	Lock washer M6	8				
05	730309	Hex. nut M6 x 1.00 - Steel	8				
06	712554	Flat washer 70 x 180 x 12,4	6				

Controlled copy – Distribution and reproduction prohibited

RIGHT BRANCH FOR 13 NOZZLES



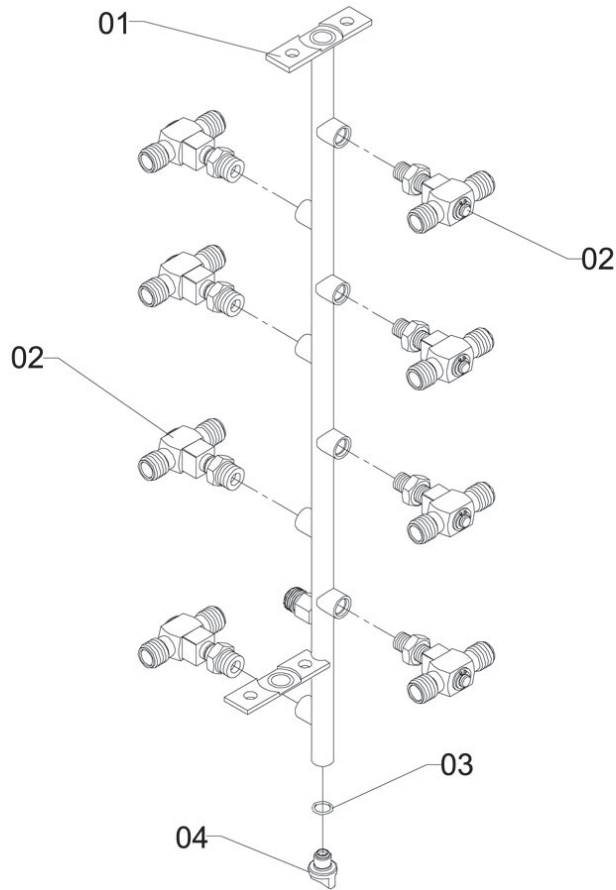
DF-76

Item	CODE	DESCRIPTION	Qty.
00	389007	Right branch for 13 nozzles	1
01	556068	Right nozzle branch	1
02	340802	Double nozzle holder	13

Item	CODE	DESCRIPTION	Qty.

Controlled copy – Distribution and reproduction prohibited

UPPER VOLUTE BRANCH FOR 8 NOZZLES

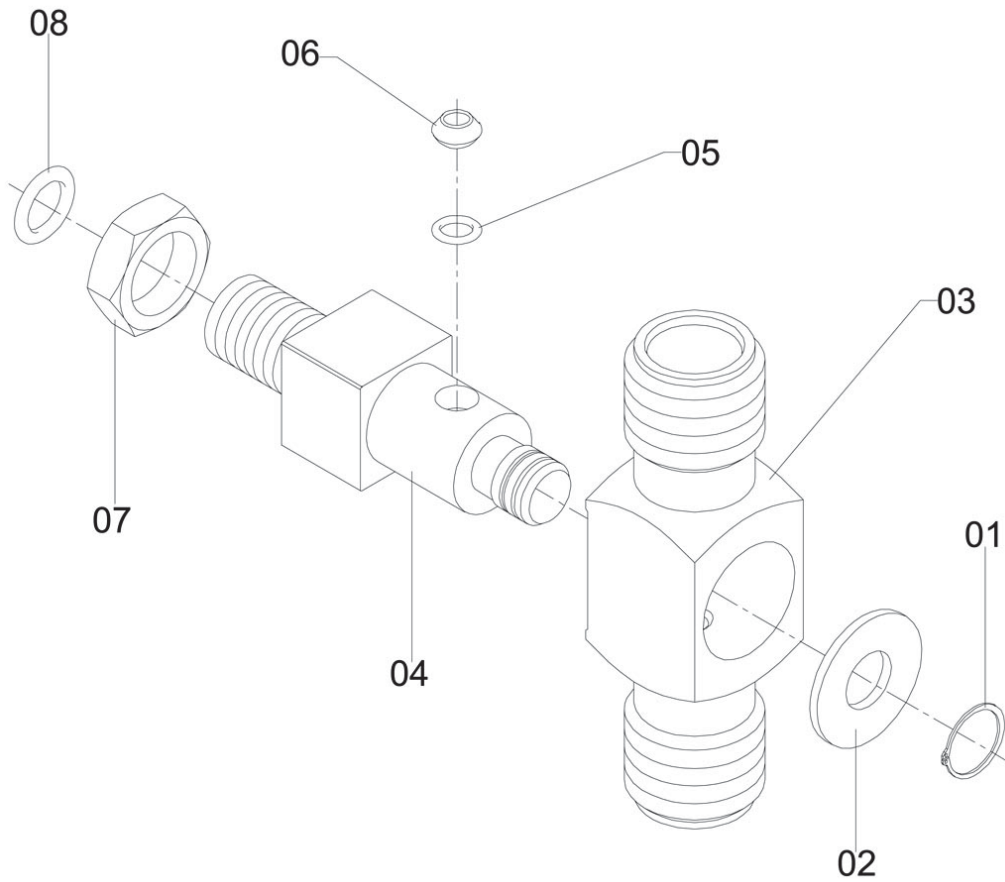


DF-62

Item	CODE	DESCRIPTION	Qty.	Item	CODE	DESCRIPTION	Qty.
00	389106	Upper volute branch for 8 nozzles	1				
01	563999	Upper volute branch tube	1				
02	340802	Double nozzle holder	8				
03	901405	Packing ring ORI-014	1				
04	520775	Drain plug - 1/4" BSP	1				

Controlled copy – Distribution and reproduction prohibited

DOUBLE NOZZLE HOLDER

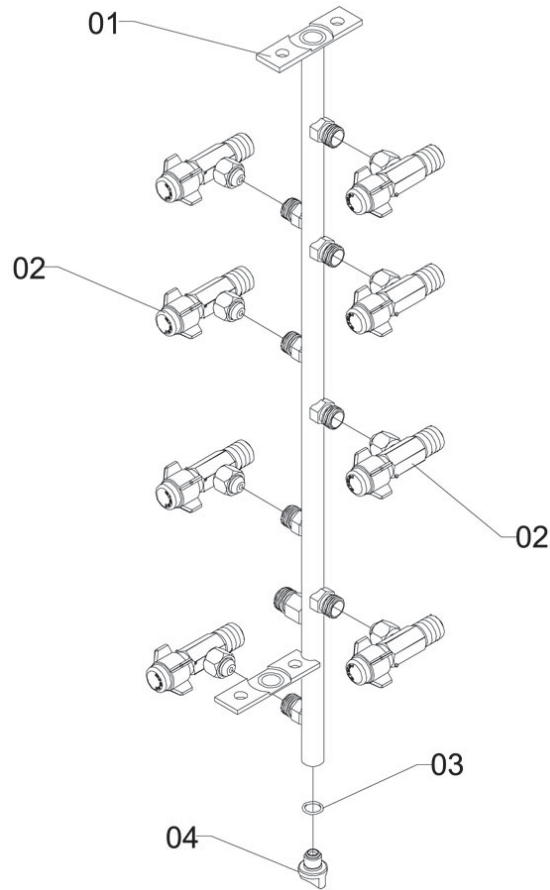


BC-63

Item	CODE	DESCRIPTION	Qty.	Item	CODE	DESCRIPTION	Qty.
00	340802	Double nozzle holder	1				
01	340844	Snap ring for shaft w 9	1				
02	340836	Wavy washer	1				
03	340810	Double nozzle holder	1				
04	454991	Nozzle holder support 51.5	1				
05	340851	O-ring OR2 - 201	1				
06	340828	Seal	1				
07	441154	Nut w 1/4" BSP - 18 F.P.P.	1				
08	120097	O-ring ORI - 013	1				

Controlled copy – Distribution and reproduction prohibited

UPPER VOLUTE BRANCH FOR 8 NOZZLES

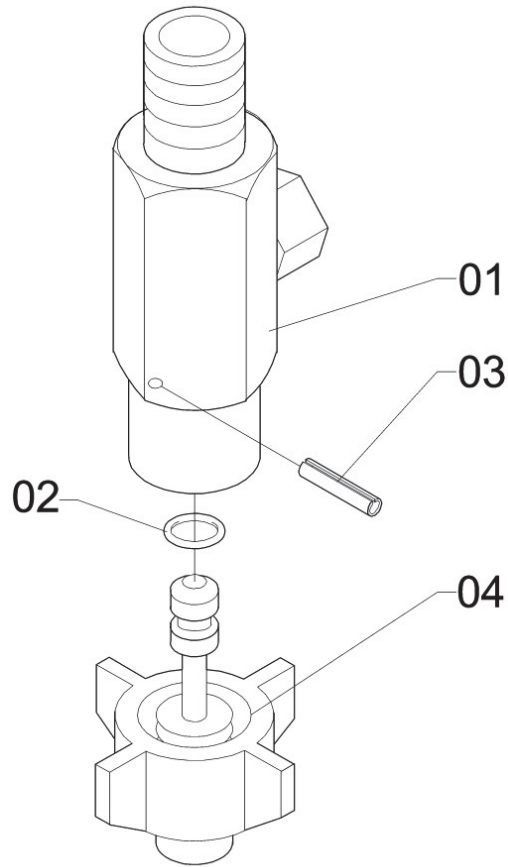


DF-60

Item	CODE	DESCRIPTION	Qty.	Item	CODE	DESCRIPTION	Qty.
00	388769	Upper volute branch for 8 nozzles	1				
01	566869	Top volute nozzle branch	1				
02	429332	Nozzle valve assembly	8				
03	901405	Packing ring ORI-014	1				
04	520775	Drain plug - 1/4" BSP	1				

Controlled copy – Distribution and reproduction prohibited

NOZZLE VALVE AAEMBLY

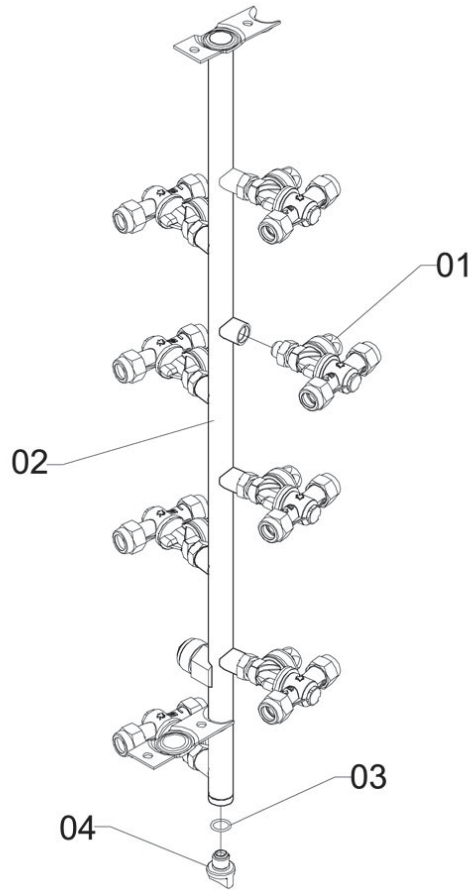


BC-37

Item	CODE	DESCRIPTION	Qty.	Item	CODE	DESCRIPTION	Qty.
00	429332	Nozzle valve aaembla	1				
01	716985	Nozzle holder	1				
02	426114	Packing ring	1				
03	426155	Pin 19	1				
04	717009	Valve	1				

Controlled copy – Distribution and reproduction prohibited

BRANCH ASSEMBLY - 8 NOZZLE HOLDERS

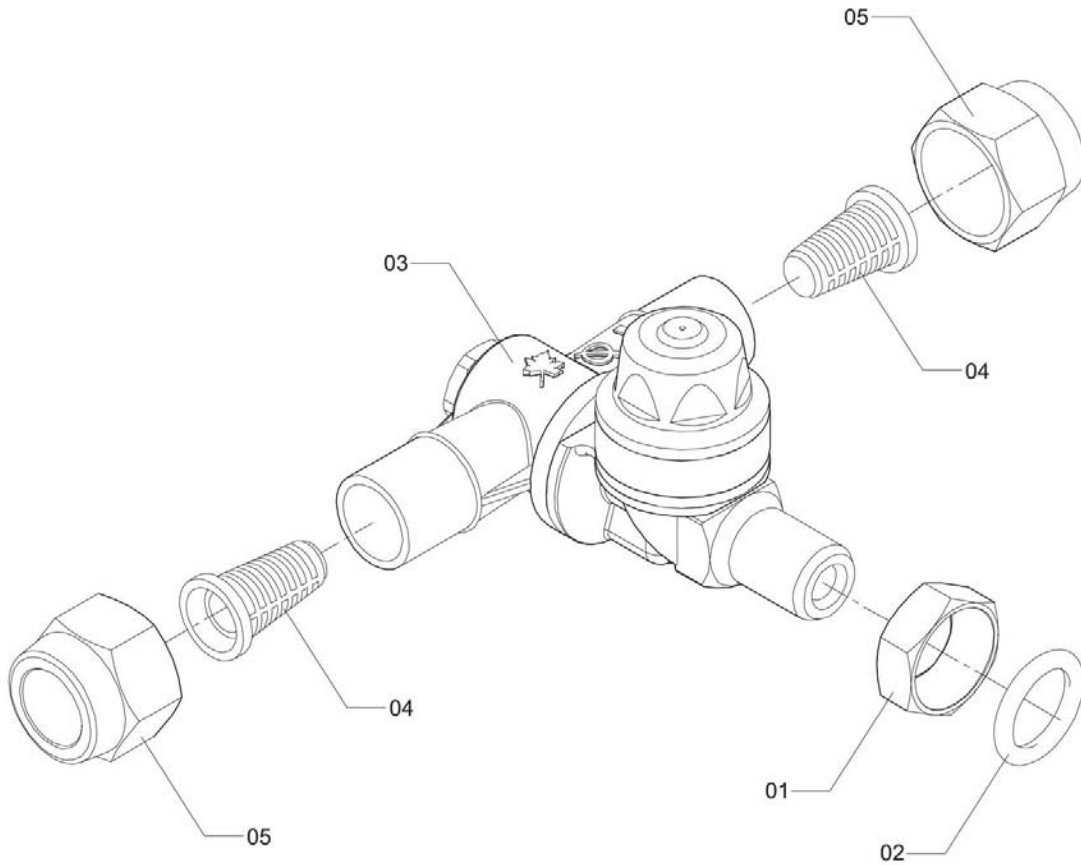


DF-106

Item	CODE	DESCRIPTION	Qty.	Item	CODE	DESCRIPTION	Qty.
00	1187834	Branch assembly - 8 nozzle holders	1				
01	720937	Bijet nozzle holder with non-drip valve	8				
02	563999	Upper volute branch tube	1				
03	901405	Packing ring ORI-014	1				
04	520775	Drain plug - 1/4" BSP	1				

Controlled copy – Distribution and reproduction prohibited

BIJET NOZZLE HOLDER WITH NON-DRIP VALVE



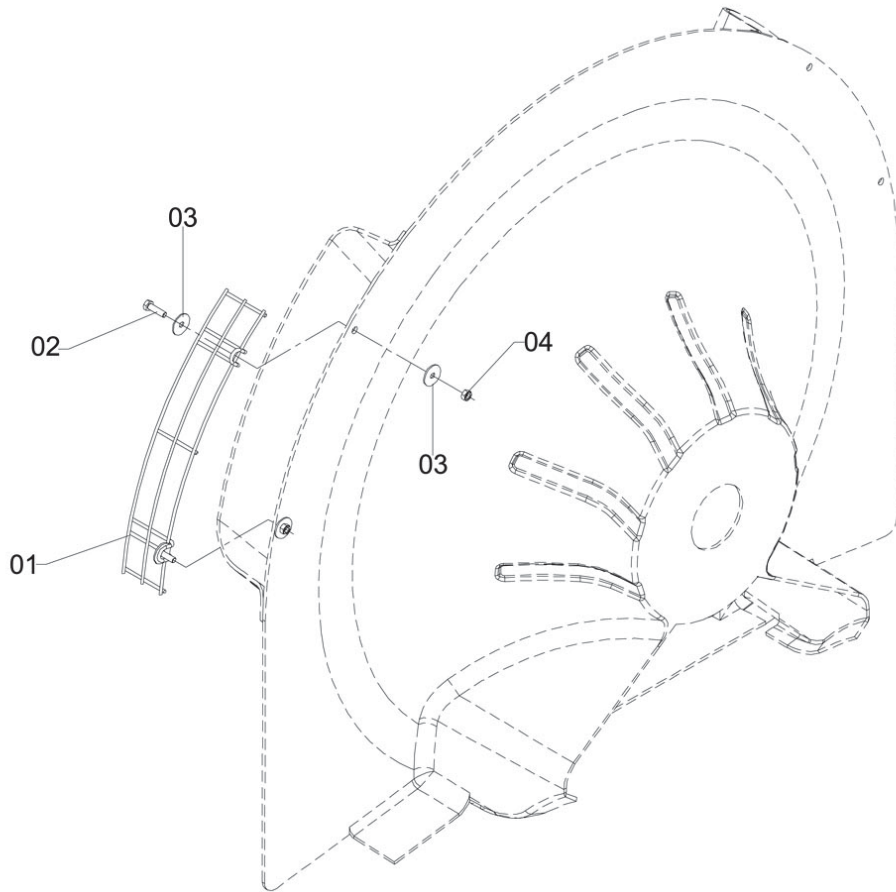
BC-91

Item	CODE	DESCRIPTION	Qty.
00	720937	Bijet nozzle holder with non-drip valve	1
01	1195947	Nondrip nozzle-holder nut - 1/4" BSP	1
02	411884	O-ring ORI - 111	1
03	1196703	Nondrip nozzle-holder body - bijet	1
04	1195948	Nozzle-holder - ag - mesh 25	2
05	1197067	Nondrip nozzle-holder cap	2

Item	CODE	DESCRIPTION	Qty.

Controlled copy – Distribution and reproduction prohibited

SMALL NOZZLE GRID ASSEMBLY

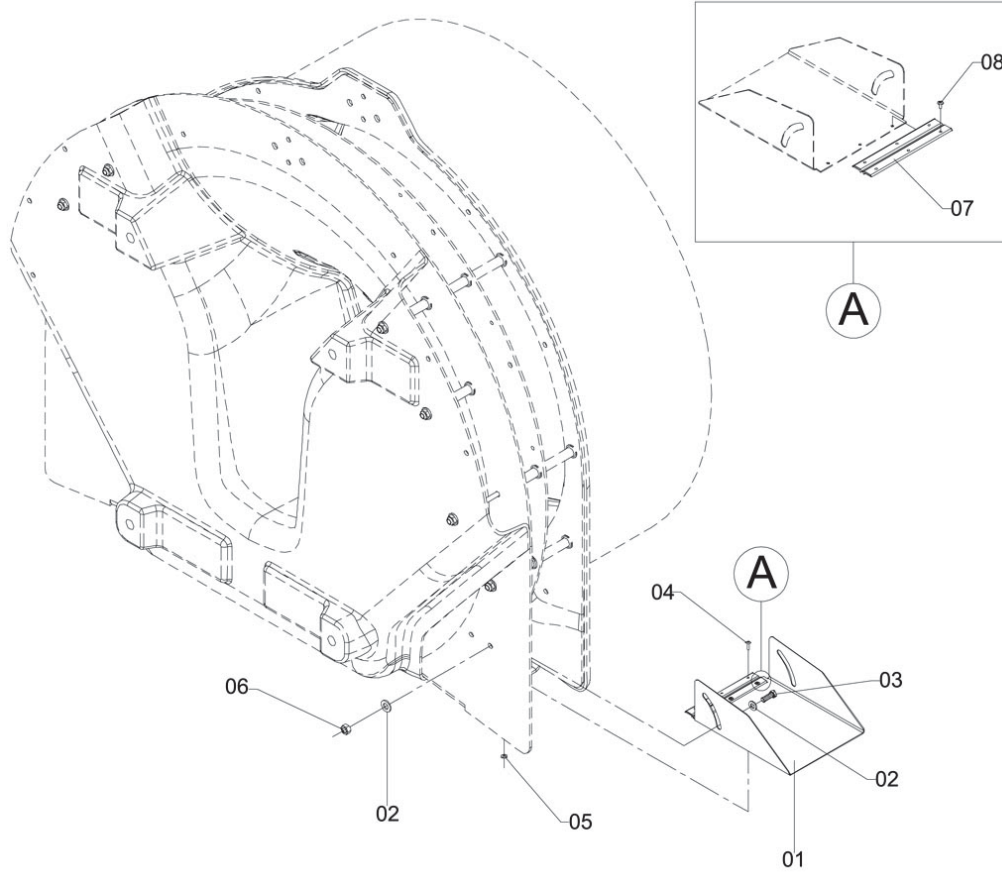


DF-80

Item	CODE	DESCRIPTION	Qty.
00	1190515	Small nozzle grid assembly	1
01	1175171	Guard Screen of 3rd Deflector 3P	1
02	448233	Bolt M8 x 30 x 1,25	2
03	1161451	Flat washer \varnothing 8.7 x \varnothing 32 x 1.98 (stainless)	4
04	411272	Hexagonal nut M 8 x 1,25	2

Item	CODE	DESCRIPTION	Qty.

LOWER VANE ASSEMBLY 3P LOW



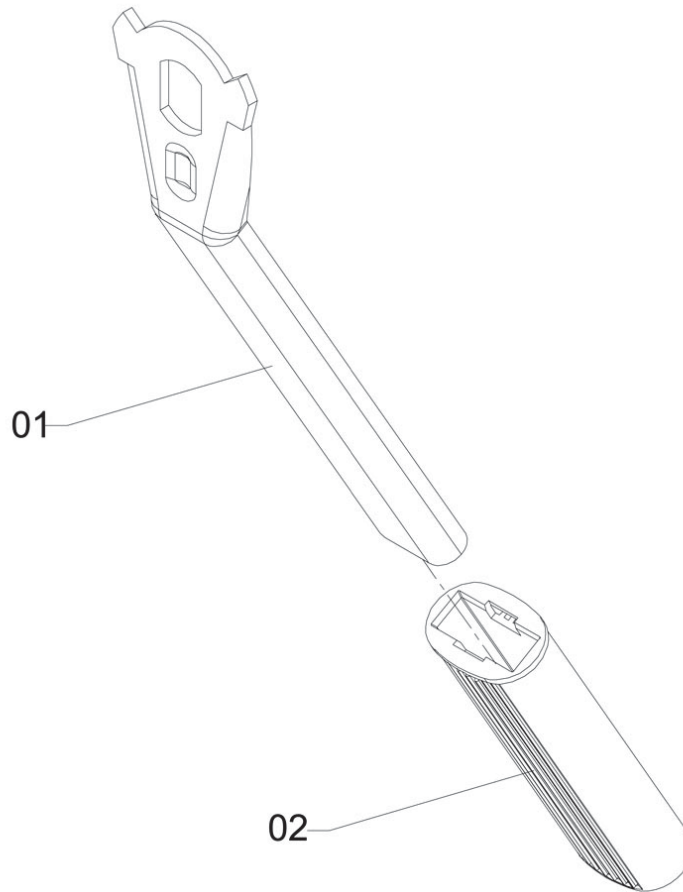
DF-79

Item	CODE	DESCRIPTION	Qty.
00	1174429	Lower Vane Assembly 3P Low	1
01	734640	Deflector vane	1
02	109678	Flat washer 105 x 254 x 12.4	2
03	326587	Bolt 3/8" - 16 UNC x 1" (brass)	2
04	519785	Rivbet Pop	3
05	508515	Flat washer 43 x 102 x 8	3
06	327445	Hex. nut \varnothing 3/8" - 16 UNC	2
07	655506	Vane hinge	2
08	519769	Rivet Pop - \varnothing 4.0 x 10.2	3

Item	CODE	DESCRIPTION	Qty.

Controlled copy – Distribution and reproduction prohibited

ASSEMBLY LEVER

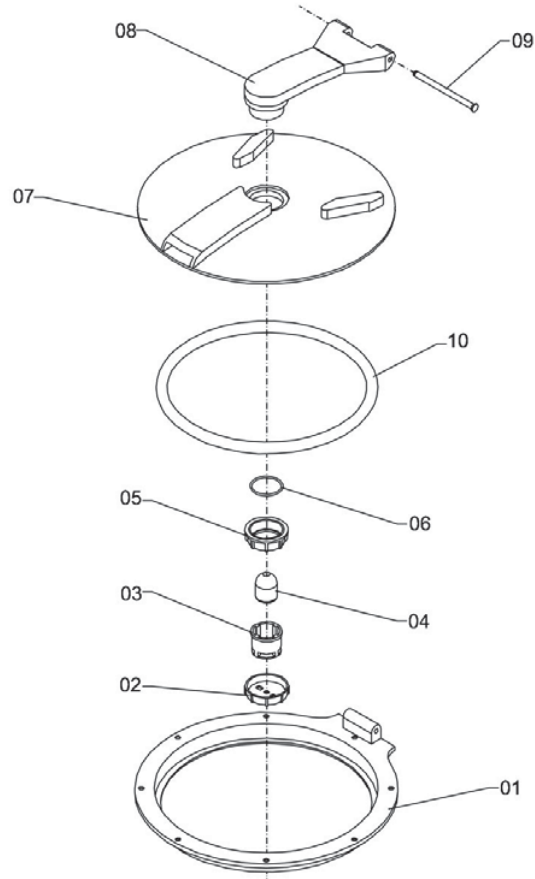


CV-516

Item	CODE	DESCRIPTION	Qty.
00	010587	Assembly lever	1
01	128678	Lever body	1
02	002683	Handrip	1

Item	CODE	DESCRIPTION	Qty.
------	------	-------------	------

ITALIAN LID

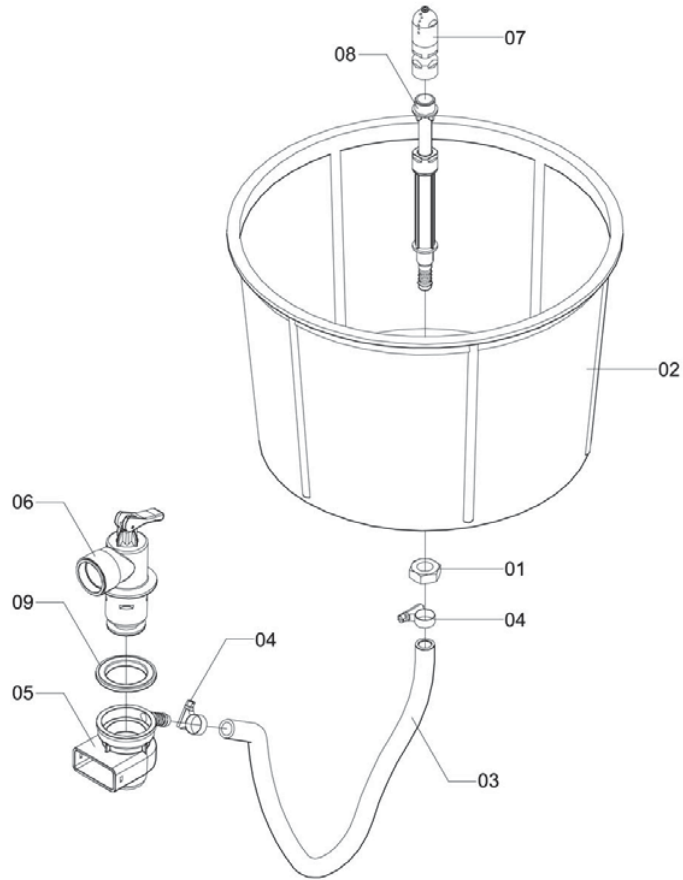


D-133

Item	CODE	DESCRIPTION	Qty.	Item	CODE	DESCRIPTION	Qty.
00	752949	Italian lid	1				
01	870279	Lid seat	1				
02	870295	Deflector	1				
03	870261	Breather assembly	1				
04	870253	Float	1				
05	870287	Coupling nut	1				
06	870220	Packing ring	1				
07	870238	Spray tank lid	1				
08	870204	Lid articulator	1				
09	870212	Articulation pin	1				
10	994863	Packing ring w/ 367 x 6.99	1				

Controlled copy – Distribution and reproduction prohibited

CHEMICAL CONTAINER RINSE NOZZLE KIT

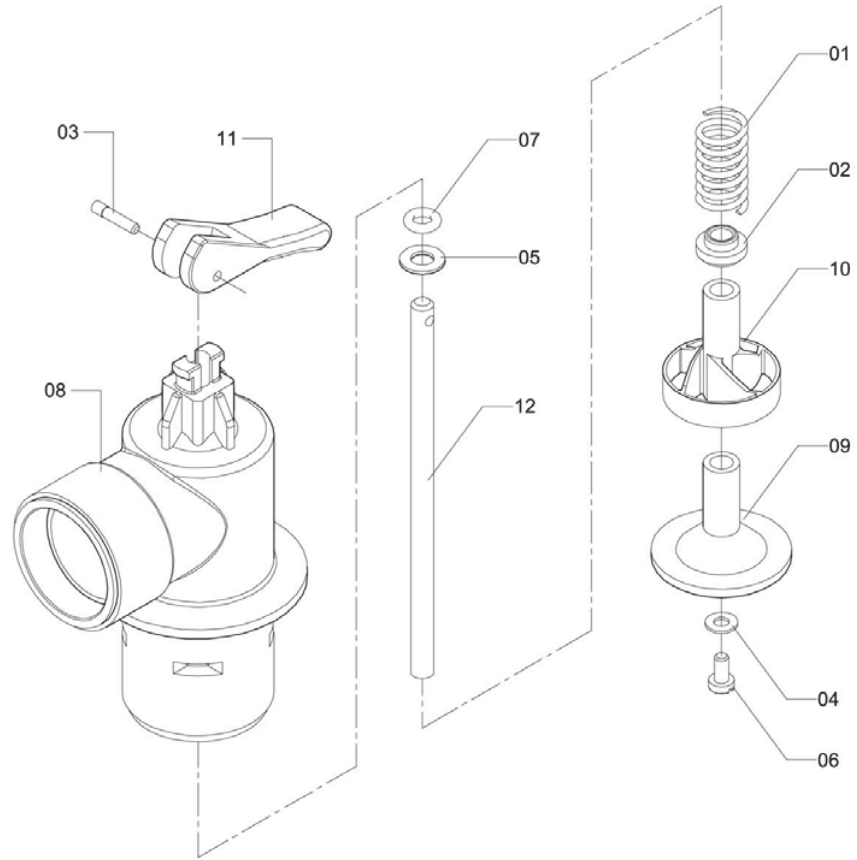


KIT-24

Item	CODE	DESCRIPTION	Qty.	Item	CODE	DESCRIPTION	Qty.
00	134239	Chemical container rinse nozzle kit	1				
01	938498	Hex. nut M16 x 2.00	1				
02	134007	Strainer	1				
03	071886	Hose 12.7 (1/2") x 600	1				
04	107664	Clamp D14-22 - stainless steel	2				
05	054411	Valve fastener	1				
06	054395	Directional valve	1				
07	071944	Chemical container rinse nozzle	1				
08	088237	Chemical container rinse nozzle rod	1				
09	088245	Packing ring	1				

Controlled copy – Distribution and reproduction prohibited

DIRECTIONAL VALVE

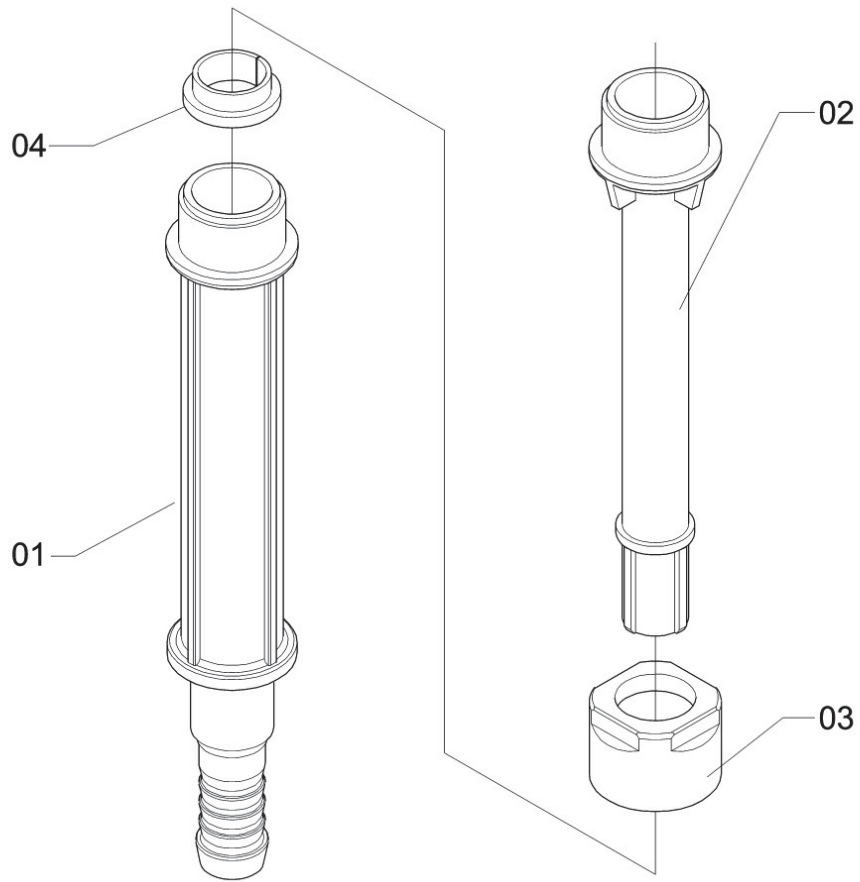


CV-167

Item	CODE	DESCRIPTION	Qty.	Item	CODE	DESCRIPTION	Qty.
00	054395	Directional valve	1				
01	044057	Compression spring 12.7	1				
02	048199	Seal	1				
03	049858	Lever pin	1				
04	050187	Flat washer 43 x 90 x 8	1				
05	050195	Flat washer 64 x 125 x 95 stainless steel	1				
06	050211	Screw M4 x 8	1				
07	050237	O-ring OR2-108	1				
08	054403	Valve body	1				
09	054429	Piston cup	1				
10	054437	Guide	1				
11	054445	Rinse nozzle lever	1				
12	054452	Spring Guide Pin	1				

Controlled copy – Distribution and reproduction prohibited

CHEMICAL CONTAINER RINSE NOZZLE ROD



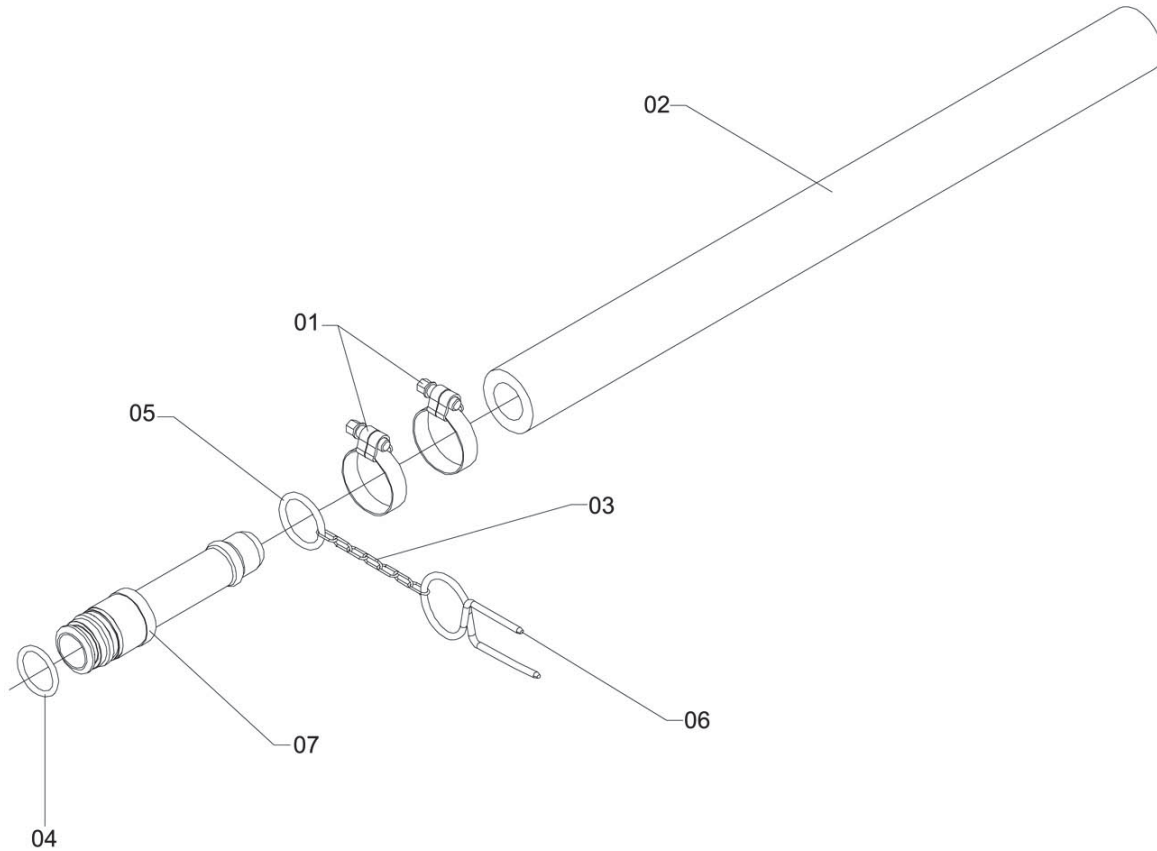
KIT-76

Item	CODE	DESCRIPTION	Qty.
00	088237	Chemical container rinse nozzle rod	1
01	058834	Nozzle rod	1
02	083907	Rod extension	1
03	087882	Extension nut	1
04	134221	Lock ring	1

Item	CODE	DESCRIPTION	Qty.

Controlled copy – Distribution and reproduction prohibited

FLEXIBLE 3/4" BSP X 600

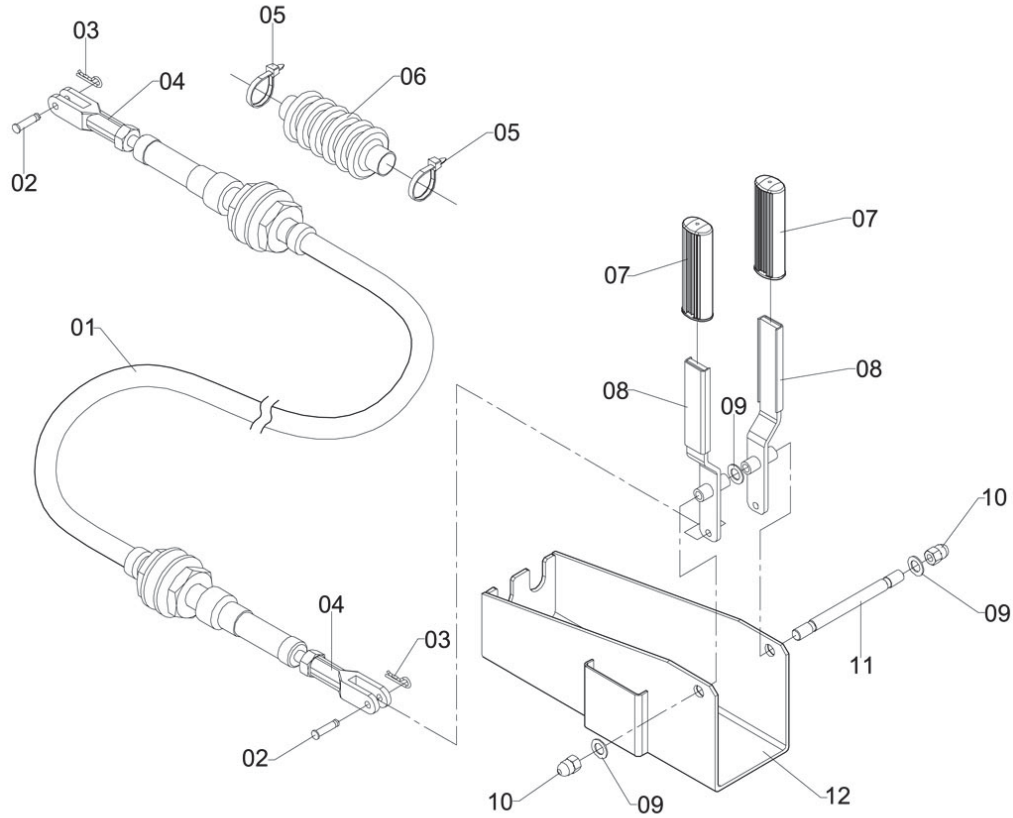


CA-211

Item	CODE	DESCRIPTION	Qty.	Item	CODE	DESCRIPTION	Qty.
00	479287	Flexible 3/4" BSP x 600	1				
01	423814	Clamp D22-32 - stainless steel	2				
02	758490	Hose MBP -12 Ш 3/4" x 600	1				
03	437822	Chain 120 mm	1				
04	440982	O-ring OR1-117	1				
05	622969	Double ring 22 x 26 x 3	1				
06	636399	Quick fitting clamp	1				
07	567453	Quick fitting 3/4"	1				

Controlled copy – Distribution and reproduction prohibited

ACTUATOR

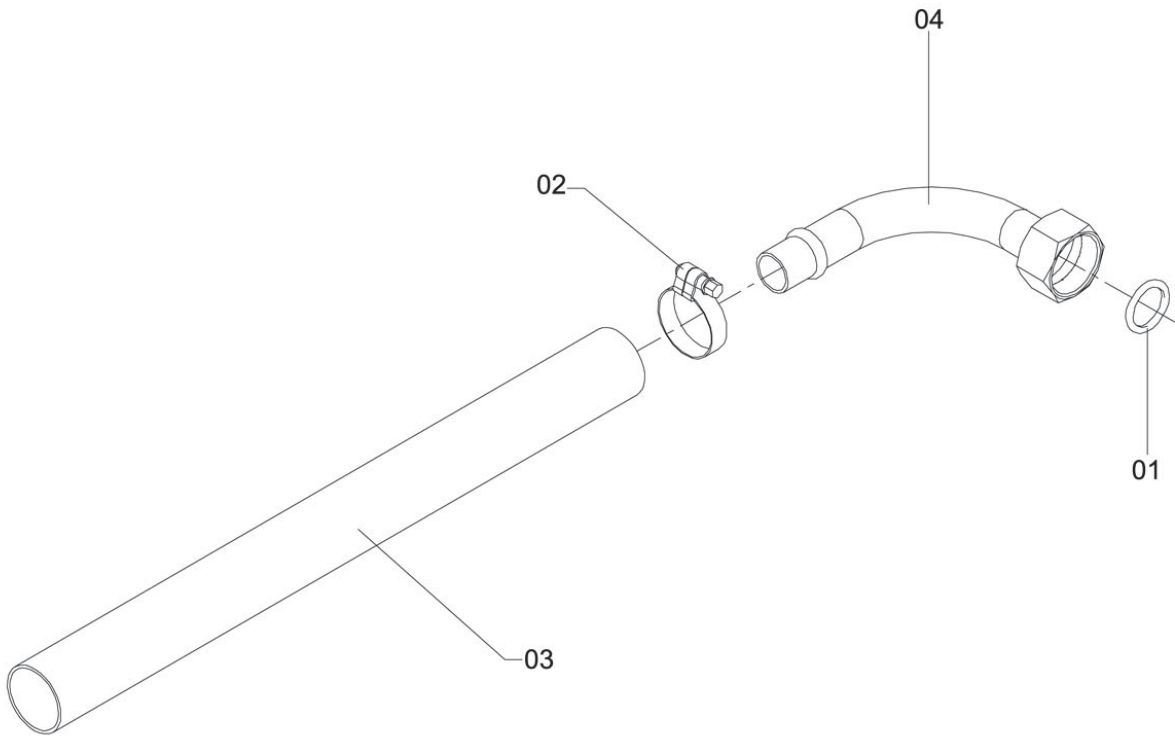


CV-447

Item	CODE	DESCRIPTION	Qty.	Item	CODE	DESCRIPTION	Qty.
00	157040	Actuator	1				
01	877373	Control flexible handgrip	2				
02	431510	Joint pin	4				
03	942904	Lock cotter pin ω 2.1 x 84.5	4				
04	458323	Coupling end 53.5	4				
05	825406	Hose tie T 018 R	4				
06	058164	Bellows protector	2				
07	002683	Handrip	2				
08	356741	Lever	2				
09	013433	Flat washer	3				
10	945832	Box nut M8 x 1.0	2				
11	947762	Stud bolt M8 x 98 x 1.25	1				
12	431700	Lever support	1				

Controlled copy – Distribution and reproduction prohibited

HOSE - CENTRAL BRANCH / VALVE

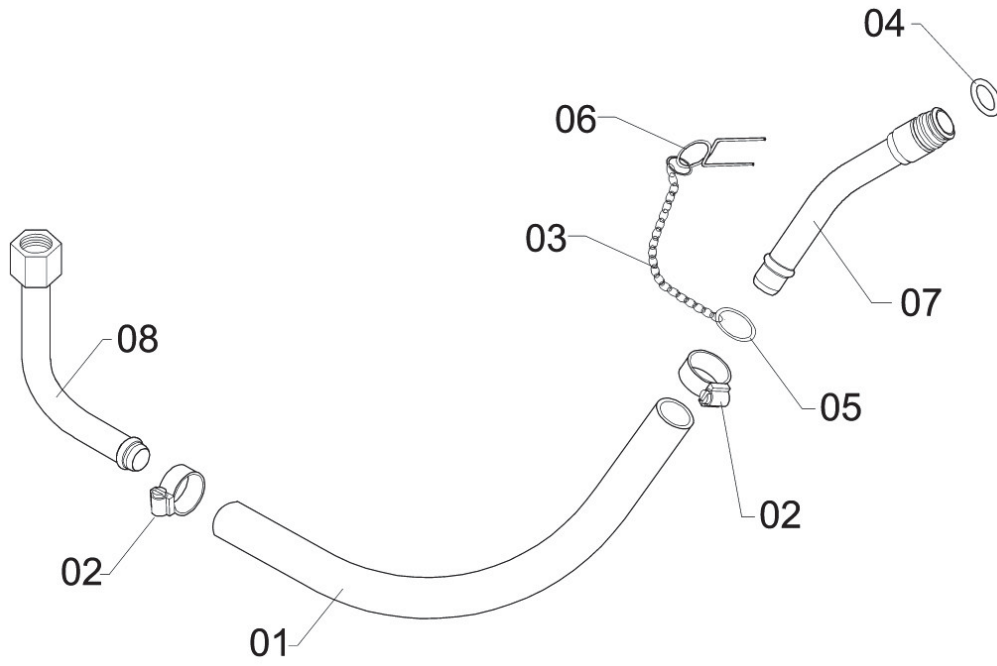


CD-269

Item	CODE	DESCRIPTION	Qty.
00	157081	Hose - Central branch / Valve	1
01	326728	Packing ring	1
02	330969	Clamp D25-38 - stainless steel	2
03	444620	Hose 3/4" x 700	1
04	566943	Fitting 3/4' x 90e'	1

Item	CODE	DESCRIPTION	Qty.

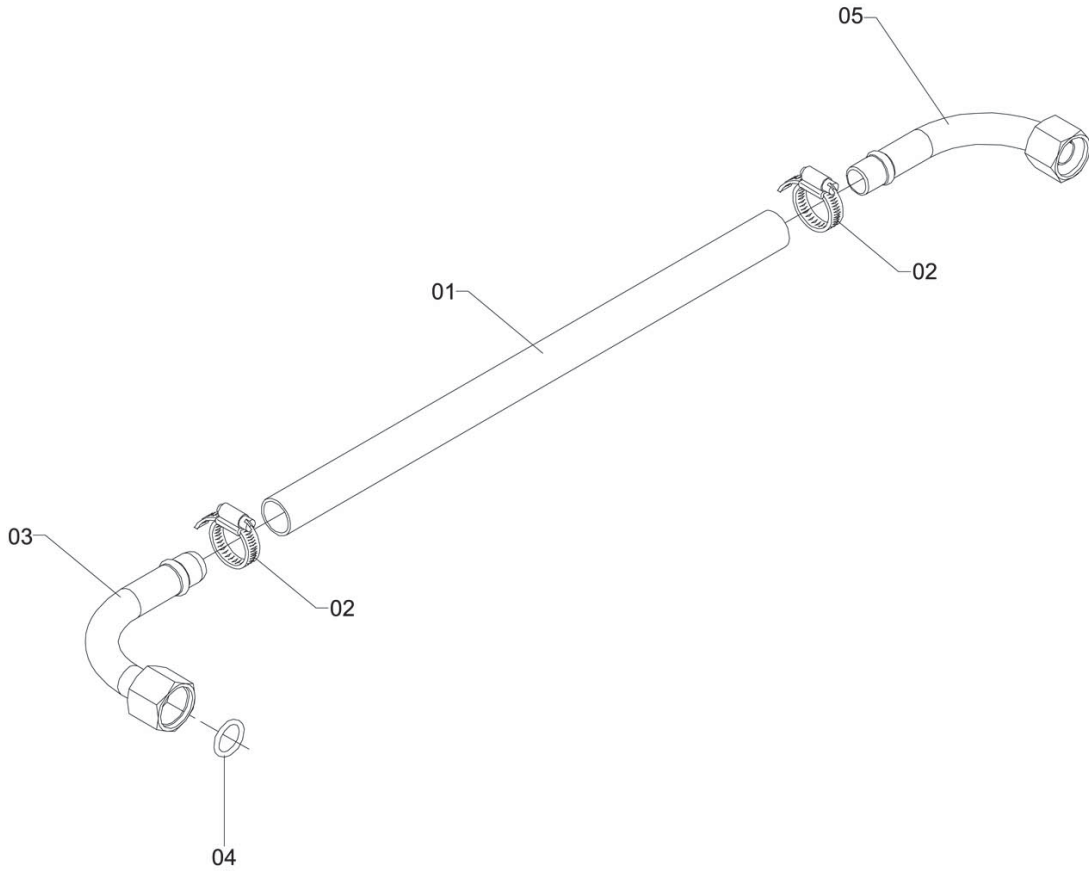
FLEXIBLE



CD-243

Item	CODE	DESCRIPTION	Qty.	Item	CODE	DESCRIPTION	Qty.
00	584383	Flexible	1				
01	614727	Hose 3/4" x 2500	1				
02	423814	Clamp D22-32 - stainless steel	2				
03	437822	Chain 120 mm	1				
04	440982	O-ring OR1-117	1				
05	622969	Double ring ω 22 x 26 x 3	2				
06	636399	Quick fitting clamp	1				
07	665752	Quick fitting 3/4"	1				
08	752881	Elbow fitting 3/4"	1				

HOSE FOR ONE-WAY DEFLECTOR - SENSOR FLOW



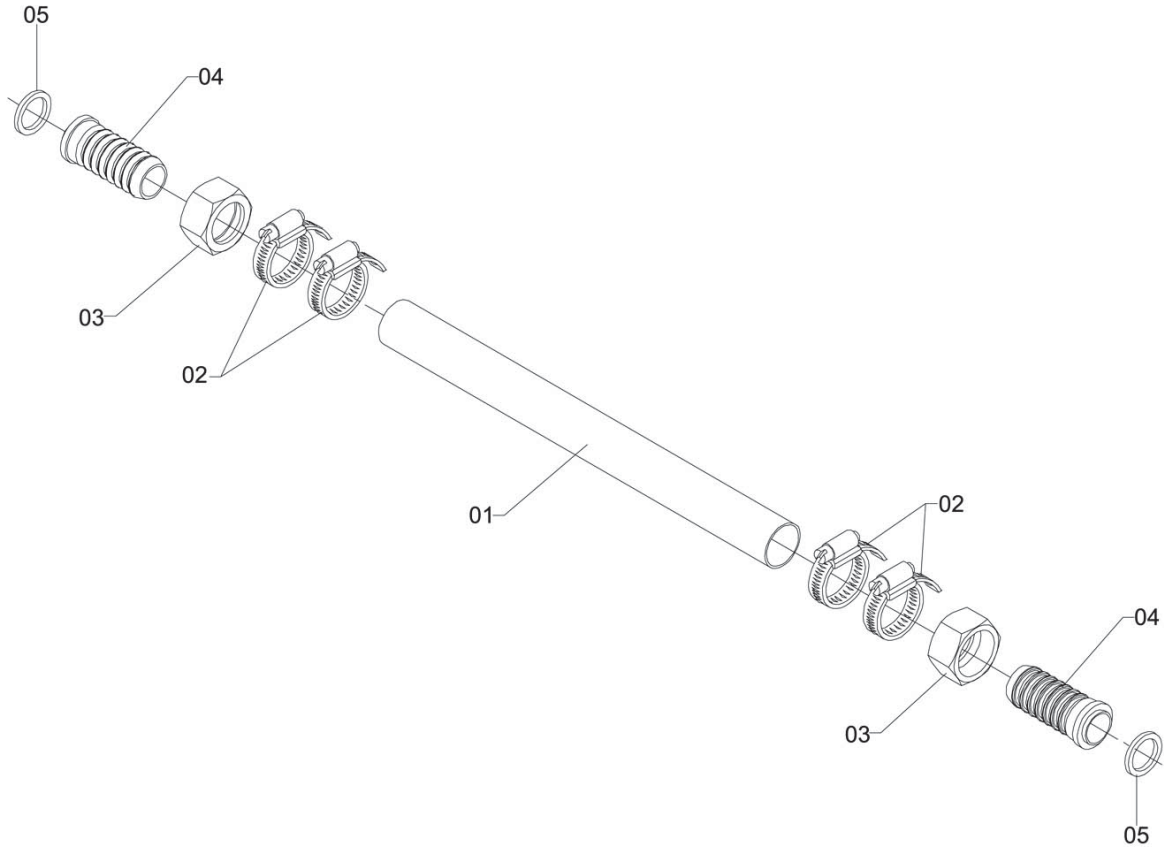
CD-365

Item	CODE	DESCRIPTION	Qty.
00	584391	Hose for one-way deflector - sensor flow	1
01	426833	Hose \varnothing 19 (3/4") x 2900	1
02	423814	Clamp D22-32 - stainless steel	4
03	566943	Fitting 3/4" x 90°	1
04	706796	O-ring OR1-114	1
05	752881	Elbow fitting 3/4"	1

Item	CODE	DESCRIPTION	Qty.

Controlled copy – Distribution and reproduction prohibited

PRESSURE HOSE 1" BSP X 450

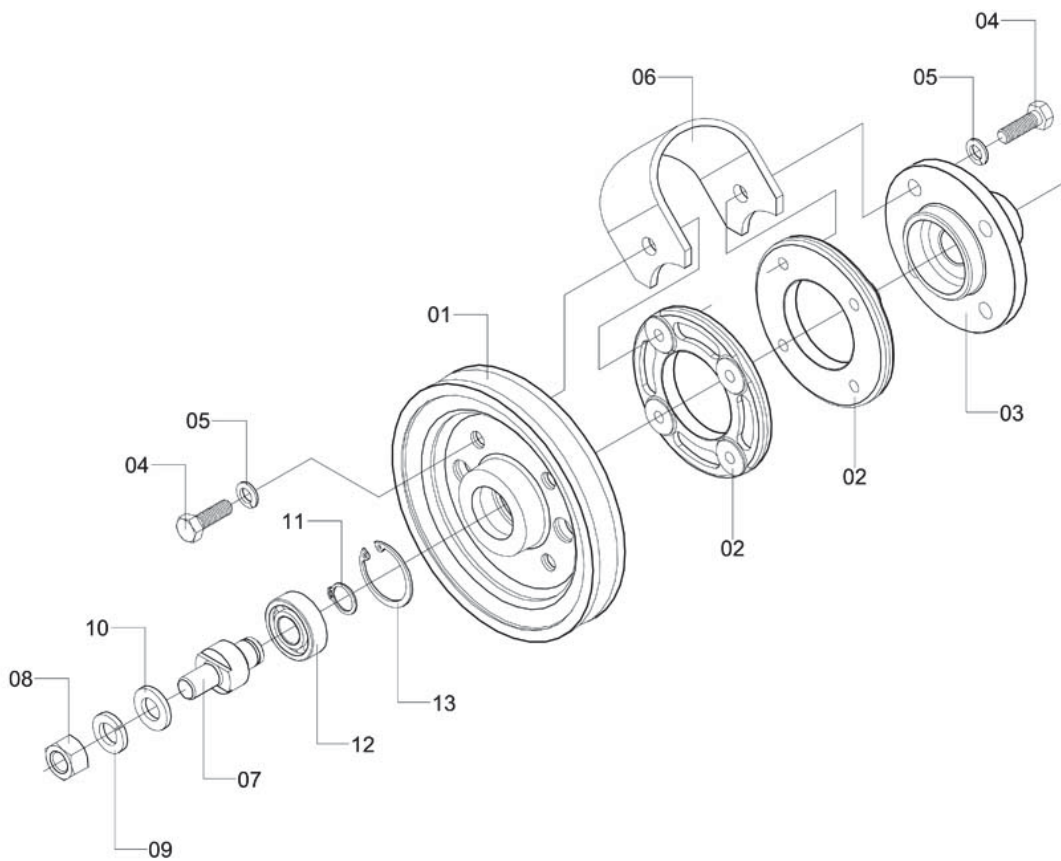


CD-255

Item	CODE	DESCRIPTION	Qty.	Item	CODE	DESCRIPTION	Qty.
00	991059	Pressure hose 1" BSP x 450	1				
01	991067	Hose ш 1" x 385	1				
02	330969	Clamp D25-38 - stainless steel	4				
03	405753	Hex. nut 1" - 11 BSP	2				
04	819540	Hose fitting 1"	2				
05	402412	Lock washer 31 x 22.5 x 22.5/3.0	2				

Controlled copy – Distribution and reproduction prohibited

FLEXIBLE COUPLING 9

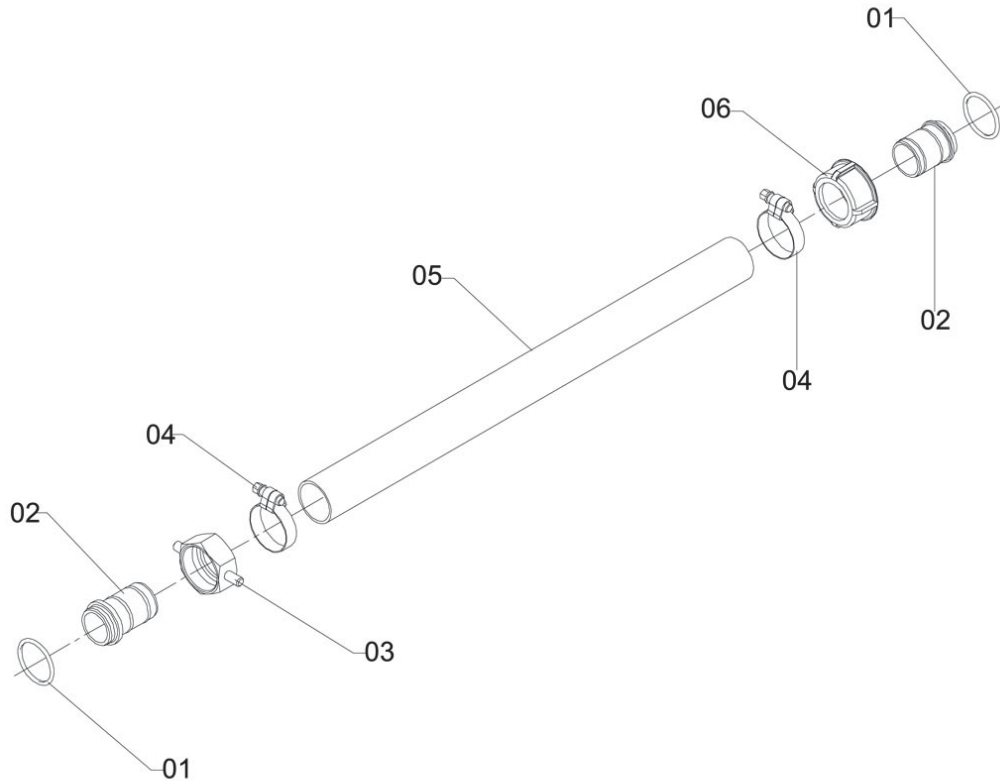


LE-12

Item	CODE	DESCRIPTION	Qty.	Item	CODE	DESCRIPTION	Qty.
00	727925	Flexible coupling 9	1				
01	727917	Pulley \varnothing 146-1A	1				
02	326462	Ring	2				
03	326470	Hub \varnothing 19	1				
04	836502	Screw 5/16" - 18 UNC x 1"	8				
05	519736	Lock washer M8	8				
06	326447	Flexible link 125	4				
07	817627	Tightening pulley shaft 15 x 50.5	1				
08	912790	Hex. nut 1/2" - 13 UNC	1				
09	908582	Lock washer 1/2"	1				
10	818112	Flat washer 130 x 240 x 30	1				
11	910851	Snap ring for shaft 15	1				
12	328781	Fixed bearing	1				
13	517557	Snap ring for hole	1				

Controlled copy – Distribution and reproduction prohibited

HOSE \varnothing 1.1/4" X 1600 C

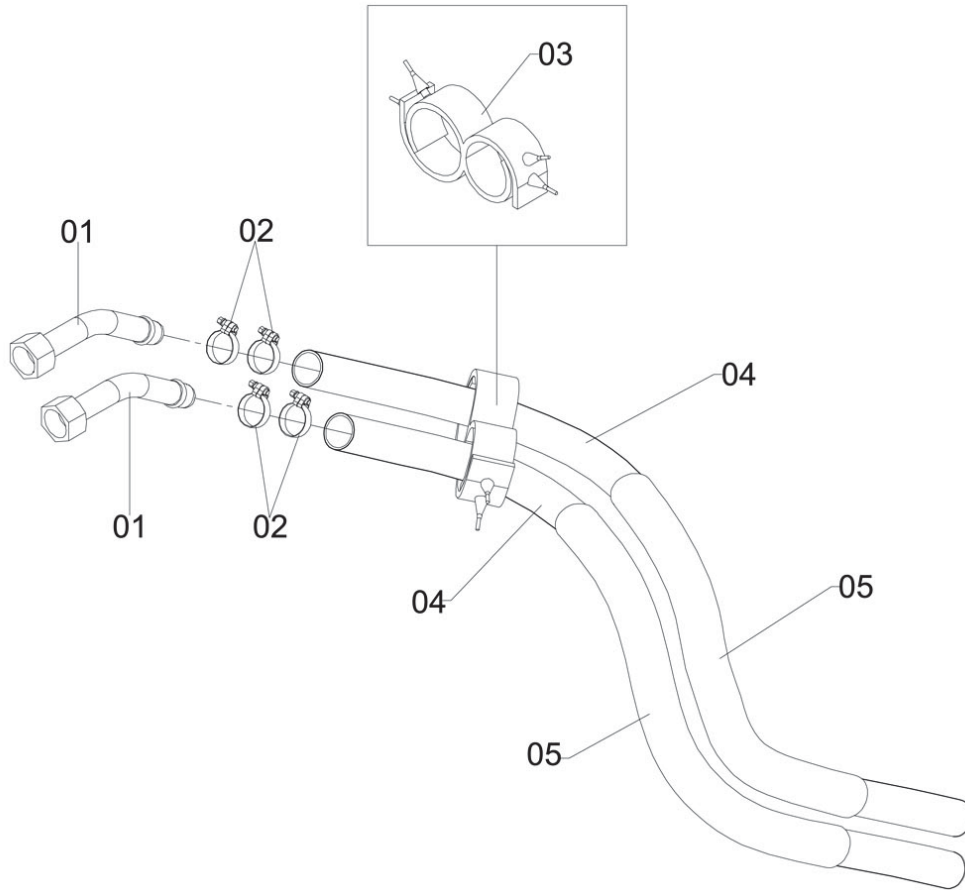


CD-721

Item	CODE	DESCRIPTION	Qty.
00	283853	Hose \varnothing 1.1/4" x 1600 C	1
01	731521	O-ring OR1 - 124	2
02	731513	Hose fitting 31.8 (1.1/4") x 33	2
03	731497	Hexagonal wing nut 1 1/4" BSP	1
04	330969	Clamp D25-38 - stainless steel	2
05	095877	Hose 1.1/4" x 1600	1
06	005884	Nut 1.1/4" BSP	1

Item	CODE	DESCRIPTION	Qty.

HOSE - CONTROL / TUBING

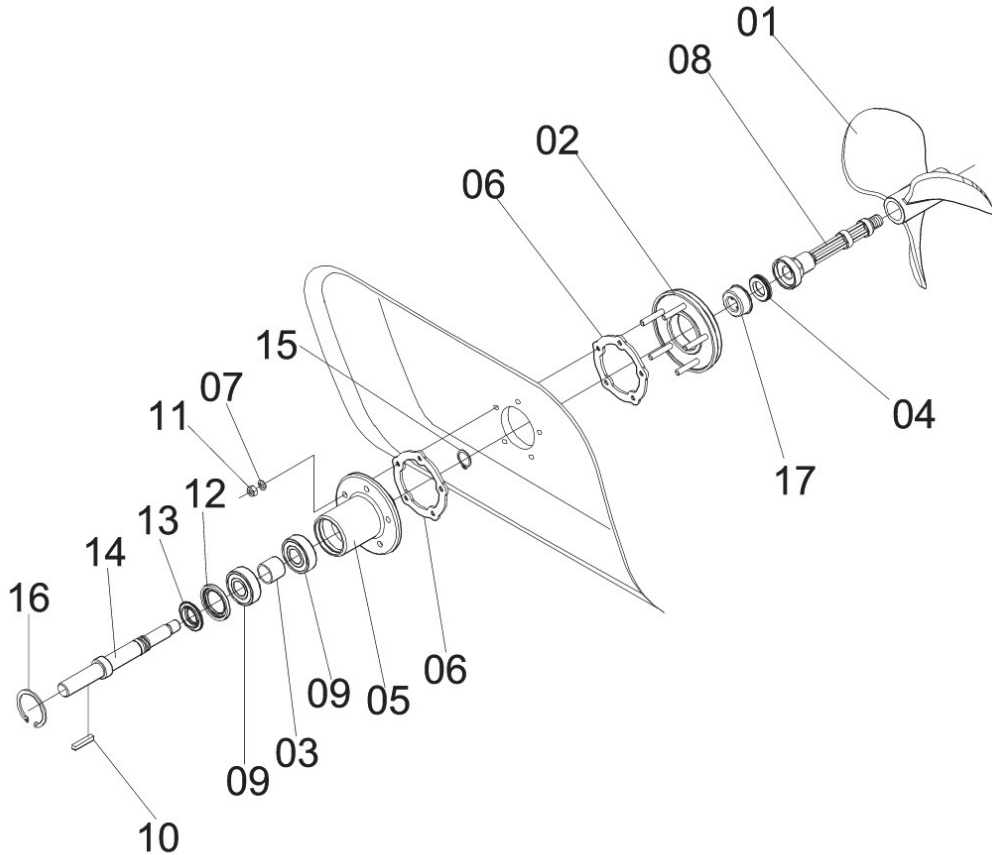


CD-720

Item	CODE	DESCRIPTION	Qty.	Item	CODE	DESCRIPTION	Qty.
00	283861	Hose - control / tubing	1				
01	434407	Curve fitting 35°	2				
02	423814	Clamp D22-32 - stainless steel	4				
03	086546	Hose Spacer	2				
04	559260	Hose MBP-12 Ш 3/4" x 960	2				
05	081950	Protective hose ш 1.1/2" x 350mm	2				

Controlled copy – Distribution and reproduction prohibited

MECHANICAL AGITATOR 2005 - 02

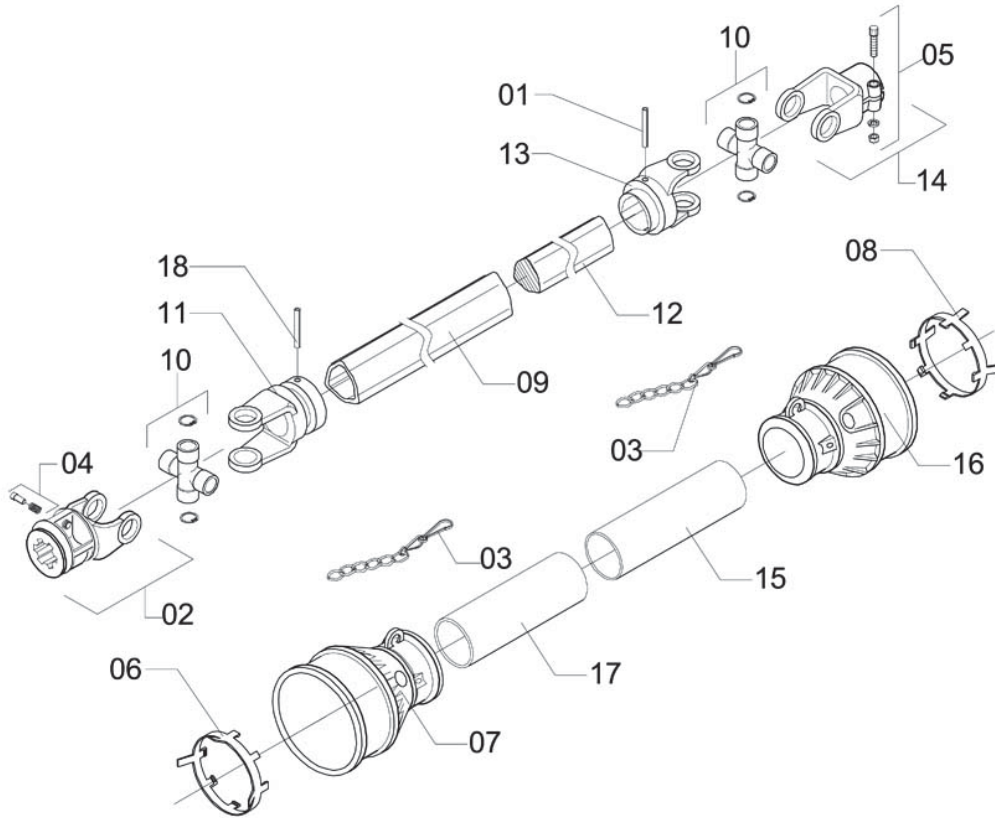


MM-27

Item	CODE	DESCRIPTION	Qty.	Item	CODE	DESCRIPTION	Qty.
00	543348	Mechanical agitator 2005 - 02	1				
01	102848	Agitator propeller	1				
02	345272	Internal flange	1				
03	408666	Bearing spacer bushing	1				
04	418046	Ceramic ring	1				
05	513838	Agitator body	1				
06	514612	Agitator seal joint	2				
07	521666	Lock washer M6	5				
08	559849	Propeller shaft	1				
09	603522	Fixed bearing with 1 ball career	2				
10	419416	Square key 3/16" x 38	1				
11	730309	Hex. nut M6 x 1.00 - Steel	5				
12	838201	Bearing internal protection	1				
13	850750	Bearing external protection	1				
14	813261	Agitator shaft	1				
15	913517	Snap ring for shaft \varnothing 17	1				
16	916775	Snap ring for hole \varnothing 40	1				
17	932038	Mechanic seal - Viton 42012 - stainless steel	1				

Controlled copy – Distribution and reproduction prohibited

PTO SHAFT

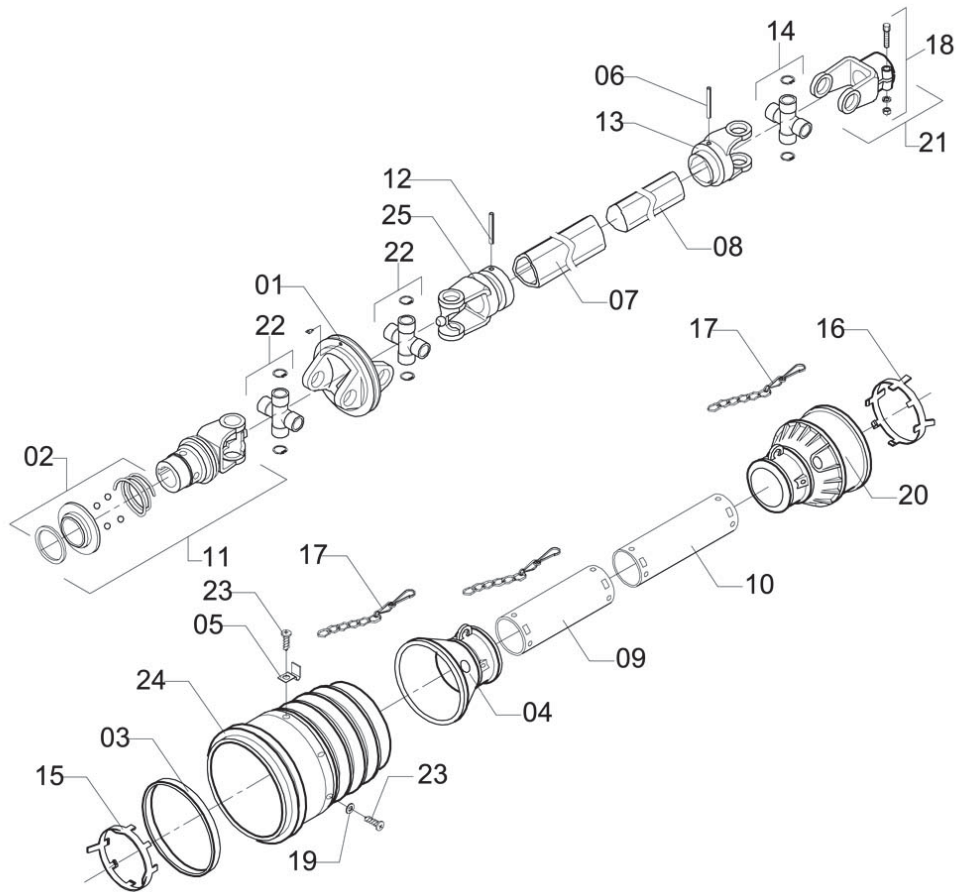


CN-30

Item	CODE	DESCRIPTION	Qty.	Item	CODE	DESCRIPTION	Qty.
00	764928	PTO shaft	1				
01	227173	Flexible pin 10 x 65	1				
02	959808	Coupling end with lock - tractor end (1.3/8"Z=6)	1				
03	457127	Chain	2				
04	457176	Lock with spring	1				
05	457192	Bolt and nut	1				
06	457069	Shield lock	1				
07	959824	Cross guard (TDF SIDE)	1				
08	457119	Shield lock	1				
09	663716	Female tube 645	1				
10	457028	Cross	2				
11	959816	Female tube end	1				
12	595421	Male tube 645	1				
13	457010	Male tube coupling end	1				
14	640623	Coupling end (sprayer end)	1				
15	664896	Guard - male tube 586	1				
16	572321	Cross shield (sprayer end)	1				
17	664797	Guard - female tube 586	1				
18	456970	Flexible pin	1				

Controlled copy – Distribution and reproduction prohibited

PTO SHAFT 710 (Z= 6 X Ш 35)

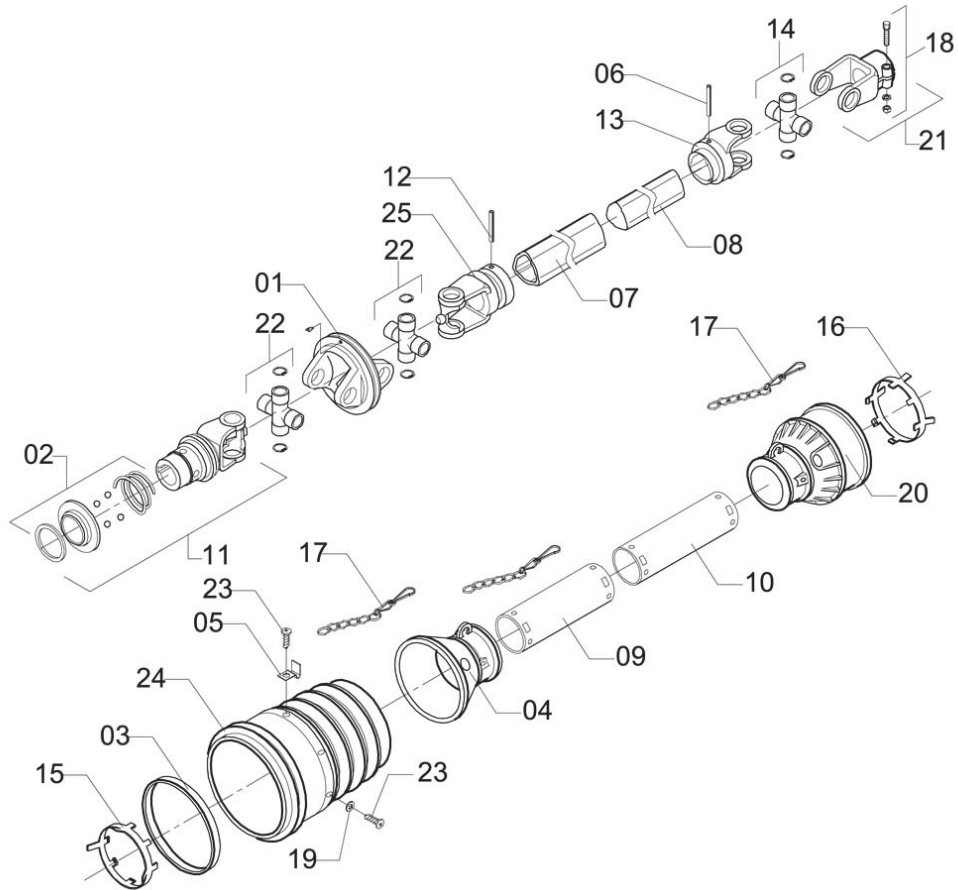


CN-27

Item	CODE	DESCRIPTION	Qty.	Item	CODE	DESCRIPTION	Qty.
00	238113	PTO shaft 710 (z= 6 x ш 35)	1				
01	008839	Central body	1				
02	585414	PTO end blocking kit - 6 grooves	1				
03	169292	Cross guard lock	1				
04	169326	Intermediate guard (tractor end)	1				
05	169334	PTO shaft chain hook	1				
06	227173	Flexible pin 10 x 65	1				
07	640730	Female tube	1				
08	640748	Male tube	1				
09	640755	Shield (female tube)	1				
10	640763	Shield (male tube)	1				
11	399550	Coupling end - PTO end (1.3/8"Z=6)	1				
12	456970	Flexible pin	1				
13	457010	Male tube coupling end	1				
14	457028	Cross	1				
15	457069	Shield lock	1				
16	457119	Shield lock	1				
17	457127	Chain	3				
18	457192	Bolt and nut	1				
19	501692	Flat washer 52 x 120 x 12	5				
20	572321	Cross shield (sprayer end)	1				
21	640623	Coupling end (sprayer end)	1				
22	681676	Cross assembly	2				
23	856229	Self-tapping bolt with slot PH. 4.8 x 22	6				
24	876789	Central body guard - tractor end	1				
25	876797	Female tube end	1				

Controlled copy – Distribution and reproduction prohibited

WIDE ANGLE CV PTO SHAFT - 1110 Z= 8 X \varnothing 35

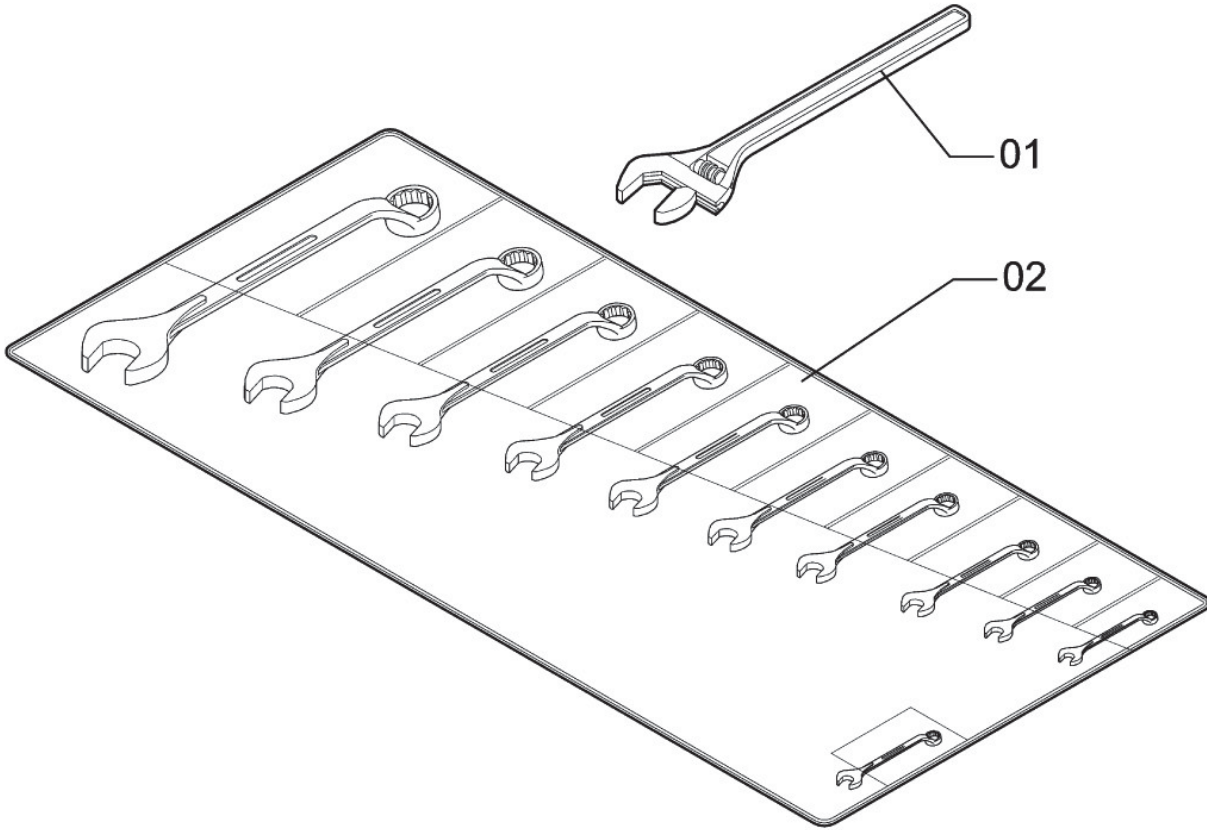


CN-27

Item	CODE	DESCRIPTION	Qty.	Item	CODE	DESCRIPTION	Qty.
00	808907	Wide angle CV PTO shaft - 1110 Z= 8 x \varnothing 35	1				
01	008839	Central body	1				
02	020388	PTO end blocking kit - 8 grooves	1				
03	169292	Cross guard lock	1				
04	169326	Intermediate guard (tractor end)	1				
05	169334	PTO shaft chain hook	1				
06	227173	Flexible pin 10 x 65	1				
07	320978	Female tube 1R6 L1285	1				
08	320986	Male tubo L1275	1				
09	320994	Protective tube	1				
10	321000	Cut shield female tube	1				
11	411223	PTO side end Z=8	1				
12	456970	Flexible pin	1				
13	457010	Male tube coupling end	1				
14	457028	Cross	1				
15	457069	Shield lock	1				
16	457119	Shield lock	1				
17	457127	Chain	3				
18	457192	Bolt and nut	1				
19	501692	Flat washer 52 x 120 x 12	5				
20	572321	Cross shield (sprayer end)	1				
21	640623	Coupling end (sprayer end)	1				
22	681676	Cross assembly	2				
23	856229	Self-tapping bolt with slot PH. 4.8 x 22	6				
24	876789	Central body guard - tractor end	1				
25	876797	Female tube end	1				

Controlled copy – Distribution and reproduction prohibited

ASSEMBLY - COMBINATION WRENCH + SCREW WRENCH (FOR EXPORT)

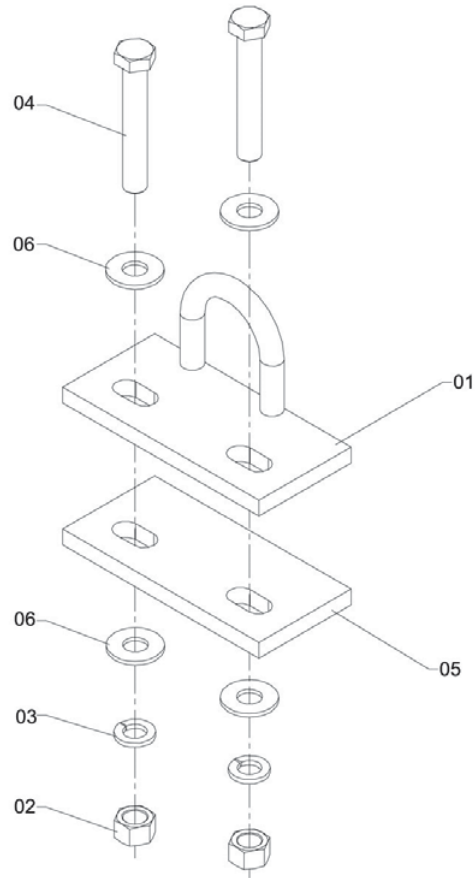


CXA-140

Item	CODE	DESCRIPTION	Qty.
00	489211	Assembly - combination wrench + screw wrench (for export)	1
01	489260	Screw wrench 18" (for export)	1
02	489229	Combined wrench kit "ROBUST" (for export)	1

Item	CODE	DESCRIPTION	Qty.

CLIP PLATE

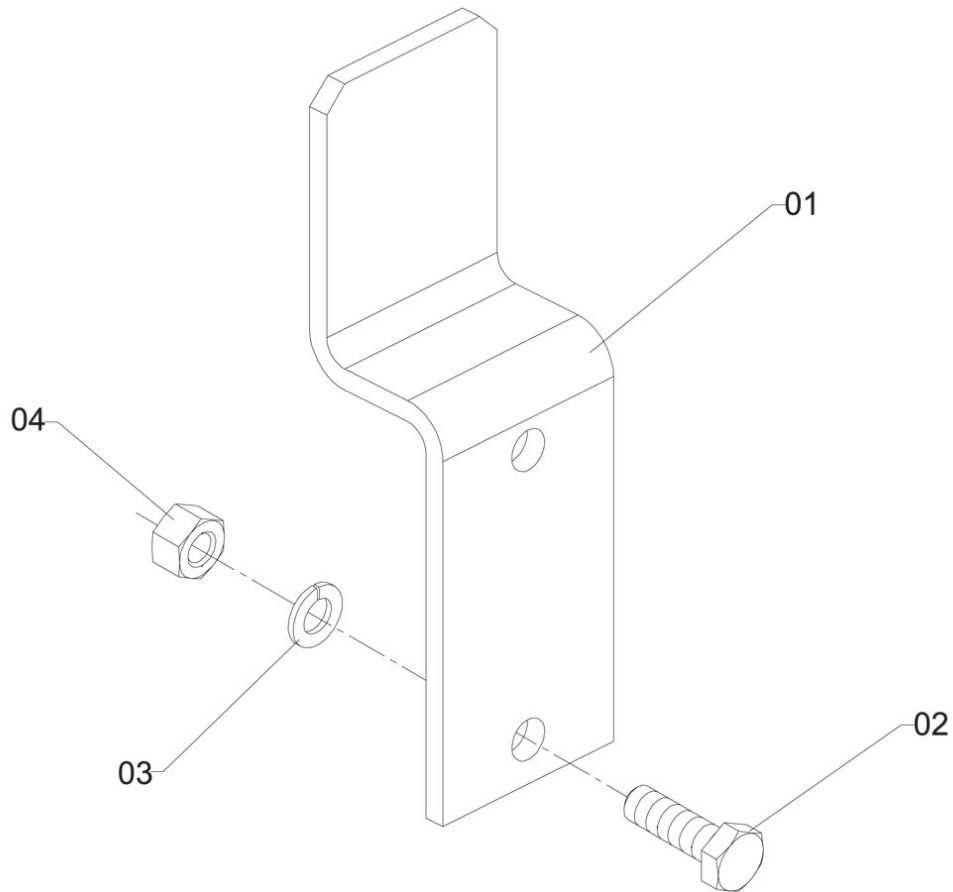


CXA-283

Item	CODE	DESCRIPTION	Qty.	Item	CODE	DESCRIPTION	Qty.
00	673798	Clip plate	1				
01	118208	Belt postioner	1				
02	742015	Nut M16 x 1.50	2				
03	764142	Lock washer M16	2				
04	764225	Screw M16 x 90 x 2.00	2				
05	819680	Chain holder clip plate	1				
06	881300	Flat washer 170 x 380 x 3.0	4				

Controlled copy – Distribution and reproduction prohibited

ACTUATOR HOLDER ASSEMBLY



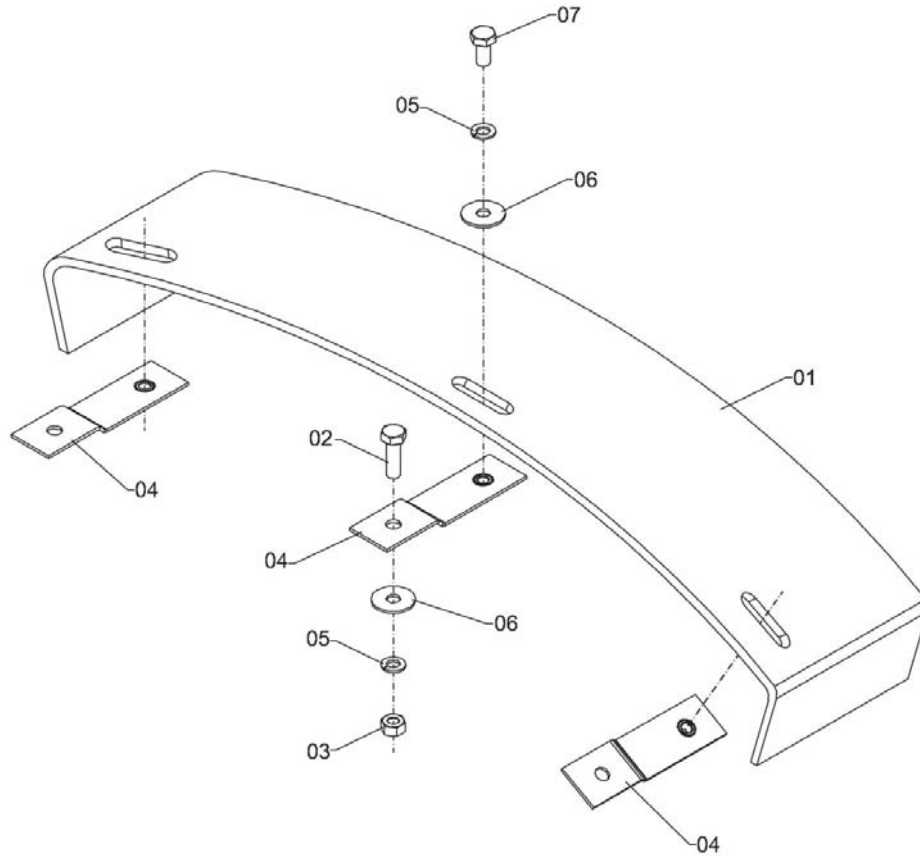
CXA-436

Item	CODE	DESCRIPTION	Qty.
00	673855	Actuator holder assembly	1
01	431718	Operating holder	1
02	829382	Hex head bolt M8 x 25 x 1.25	2
03	519736	Lock washer M8	2
04	810770	Hex. nut M8 x 1.25	2

Item	CODE	DESCRIPTION	Qty.

Controlled copy – Distribution and reproduction prohibited

CAP 90 X 710 ASSEMBLY

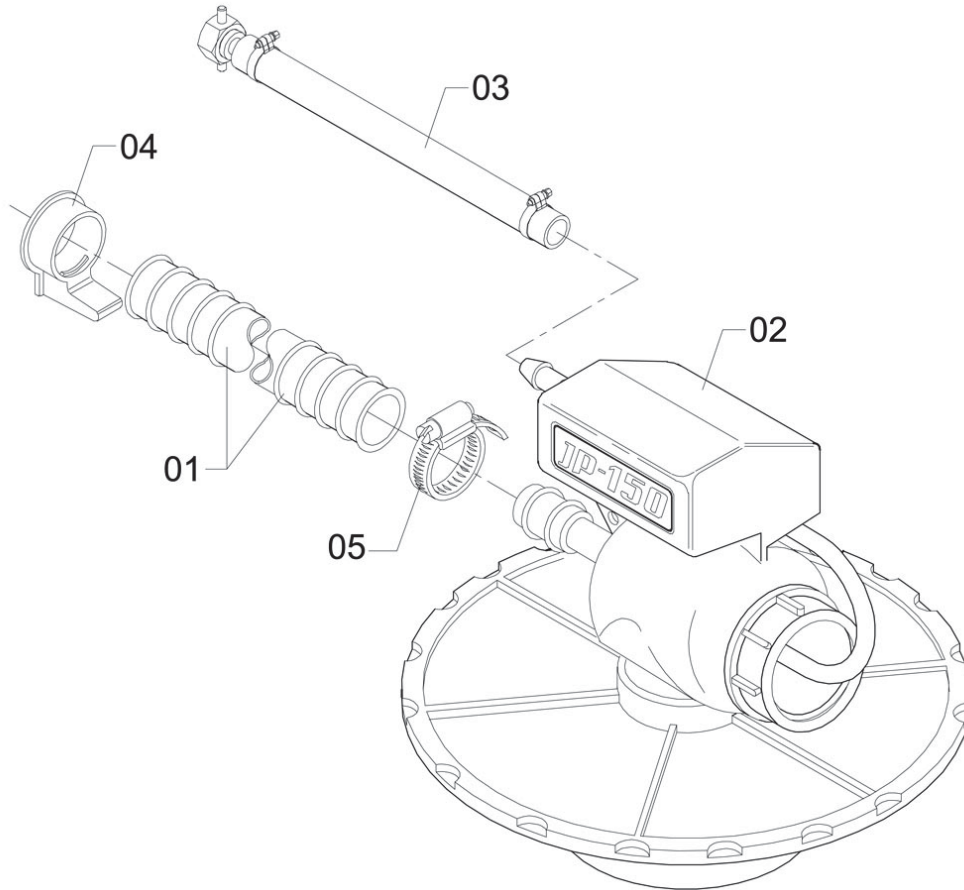


CXA-286

Item	CODE	DESCRIPTION	Qty.	Item	CODE	DESCRIPTION	Qty.
00	673871	Cap 90 x 710 assembly	1				
01	019430	Cover 90 x 170	1				
02	836502	Screw 5/16" - 18 UNC x 1"	3				
03	912758	Hex. nut 5/16" - 18 UNC	3				
04	019471	Support 5/16"	3				
05	519736	Lock washer M8	6				
06	733253	Flat washer W8.2 X W25.4 X 1.5 steel	6				
07	829341	Hex. head bolt M8 x 16 x 1.25	3				

Controlled copy – Distribution and reproduction prohibited

JACTO FILLER UNIT FOR 150 L/MIN WITH HOSE 5-METERS

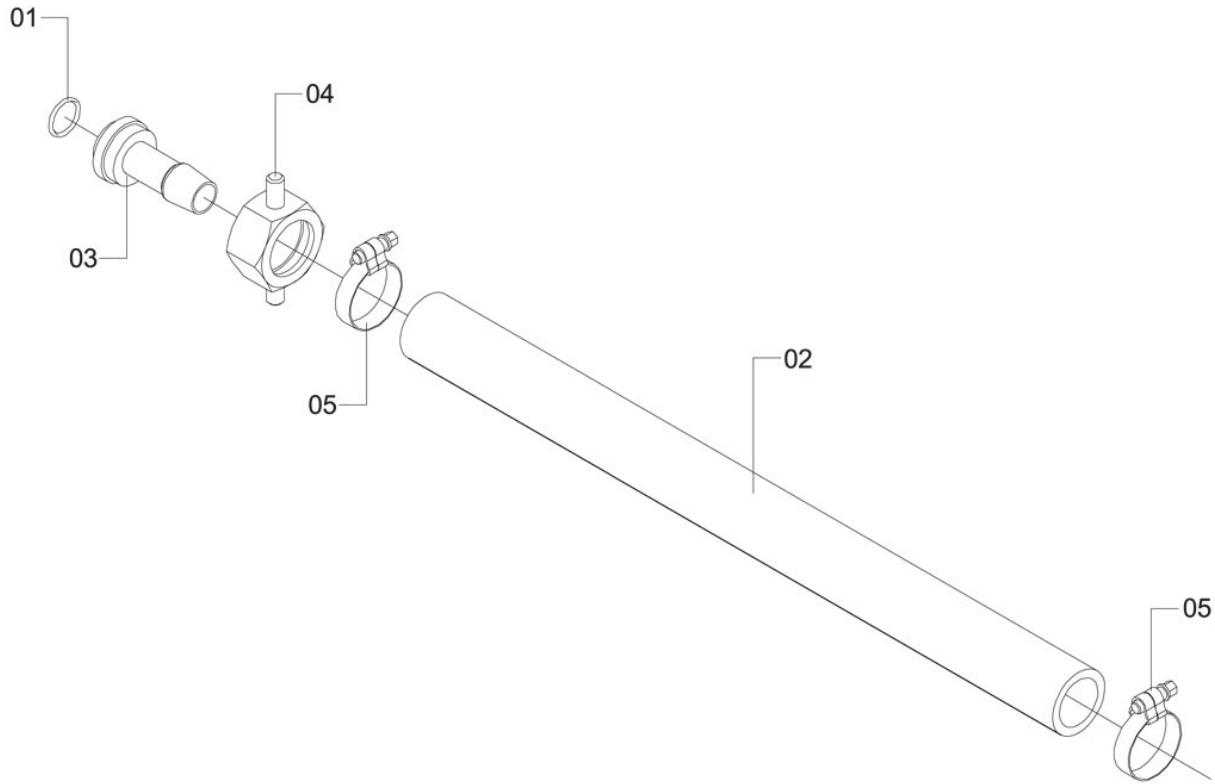


A-36

Item	CODE	DESCRIPTION	Qty.	Item	CODE	DESCRIPTION	Qty.
00	819904	Jacto filler unit for 150 L/min with hose 5-meters	1				
01	107243	Hose 2" x 5000	1				
02	133462	Filler unit JP-150 without hose	1				
03	133470	Hose 5/8" with fitting 1.1/4" C	1				
04	455006	Hose bracket	1				
05	626580	Clamp D51-64	1				

Controlled copy – Distribution and reproduction prohibited

HOSE 5/8" WITH FITTING 1.1/4" C



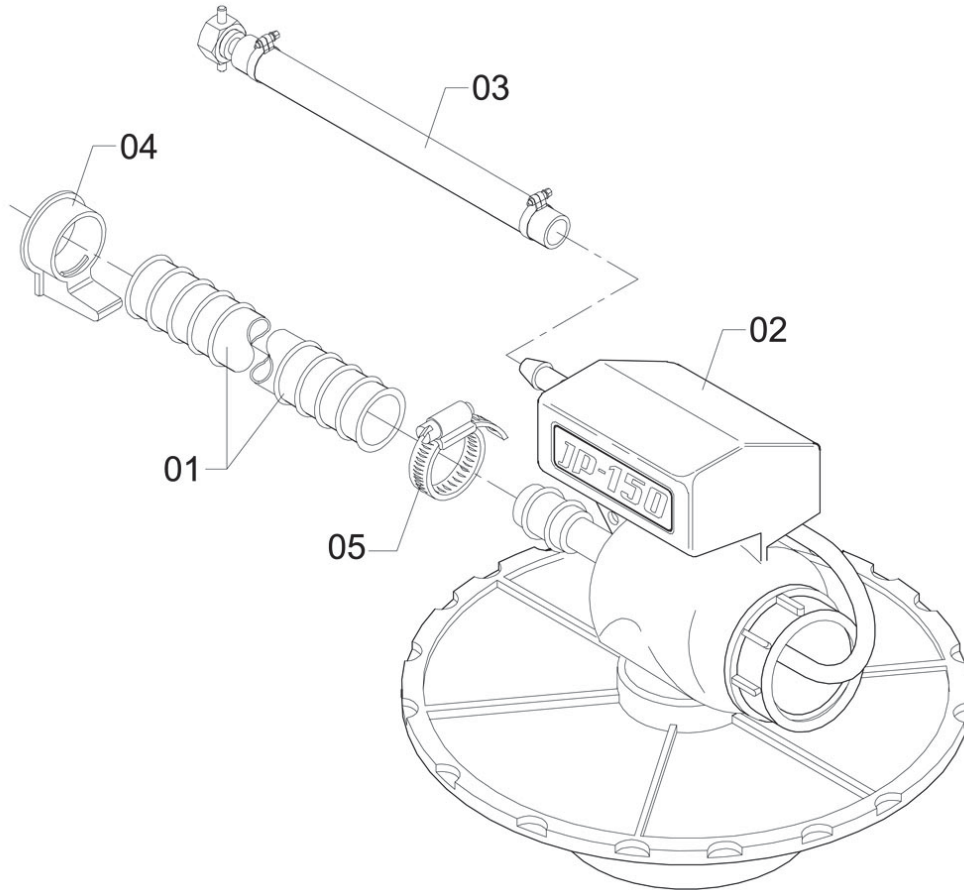
A-37

Item	CODE	DESCRIPTION	Qty.
00	133470	Hose 5/8" with fitting 1.1/4" C	1
01	731521	O-ring OR1 - 124	1
02	327254	Hose 5/8" x 5000 (orange)	1
03	439042	Hose fitting ω 5/8"	1
04	731497	Hexagonal wing nut 1 1/4" BSP	1
05	423814	Clamp D22-32 - stainless steel	1

Item	CODE	DESCRIPTION	Qty.

Controlled copy – Distribution and reproduction prohibited

JACTO FILLER UNIT FOR 150 L/MIN WITH HOSE 10-METERS

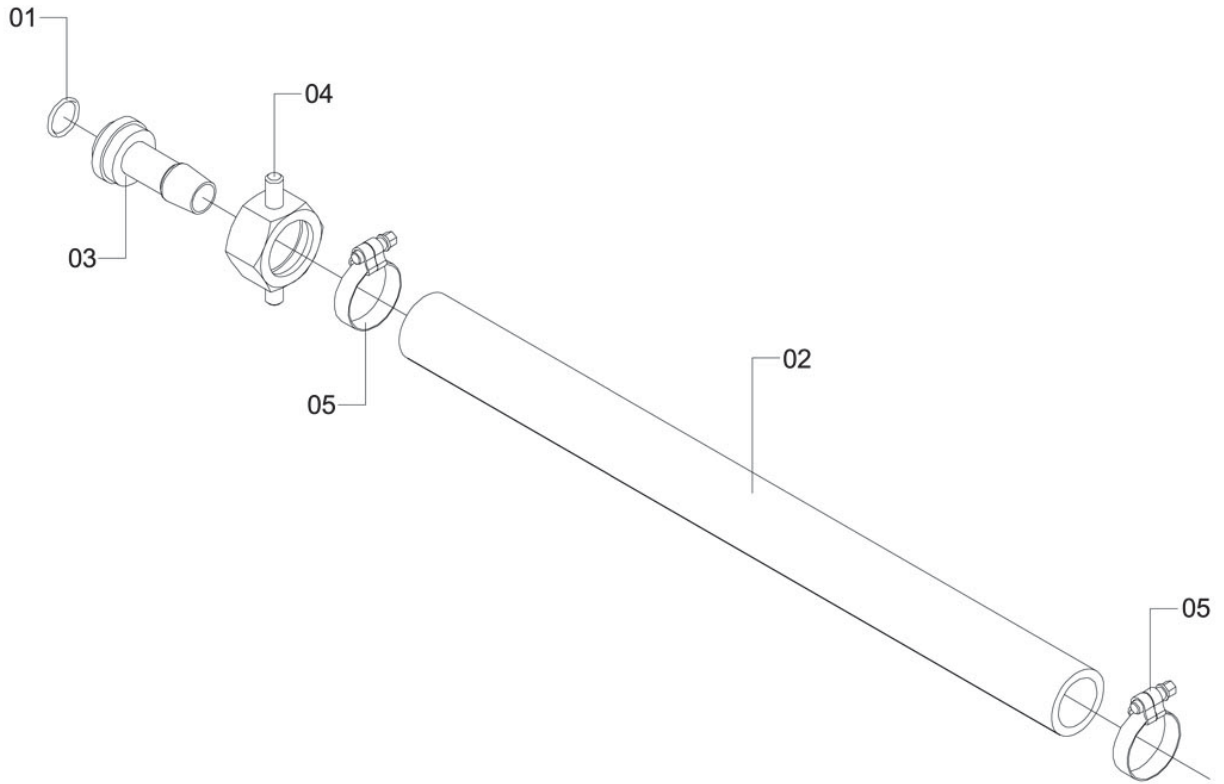


A-36

Item	CODE	DESCRIPTION	Qty.	Item	CODE	DESCRIPTION	Qty.
00	683896	Jacto filler unit for 150 L/min with hose 10-meters	1				
01	450130	Hose 2" x 10 (KE50)	1				
02	133462	Filler unit JP-150 without hose	1				
03	143594	Hose \varnothing 5/8" x 10000 with nozzle and nut	1				
04	455006	Hose bracket	1				
05	626580	Clamp D51-64	1				

Controlled copy – Distribution and reproduction prohibited

HOSE ∩ 5/8" X 10000 WITH NOZZLE AND NUT

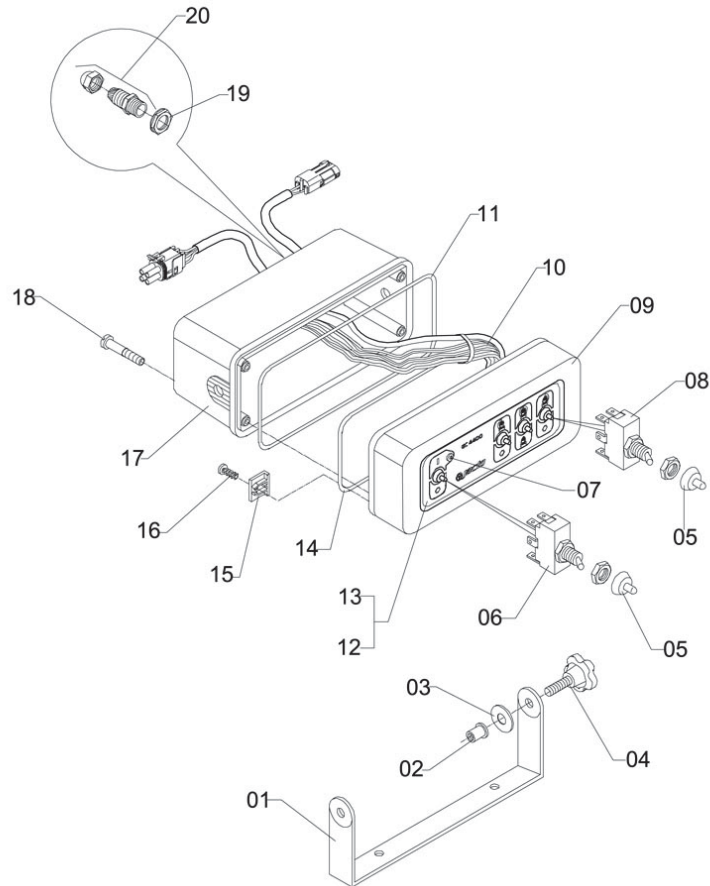


A-37

Item	CODE	DESCRIPTION	Qty.	Item	CODE	DESCRIPTION	Qty.
00	143594	Hose ∩ 5/8" x 10000 with nozzle and nut	1				
01	731521	O-ring OR1 - 124	1				
02	746065	Hose 5/8" x 10	1				
03	439042	Hose fitting ∩ 5/8"	1				
04	731497	Hexagonal wing nut 1 1/4" BSP	1				
05	423814	Clamp D22-32 - stainless steel	1				

Controlled copy – Distribution and reproduction prohibited

ELECTRIC PANEL EC-4400

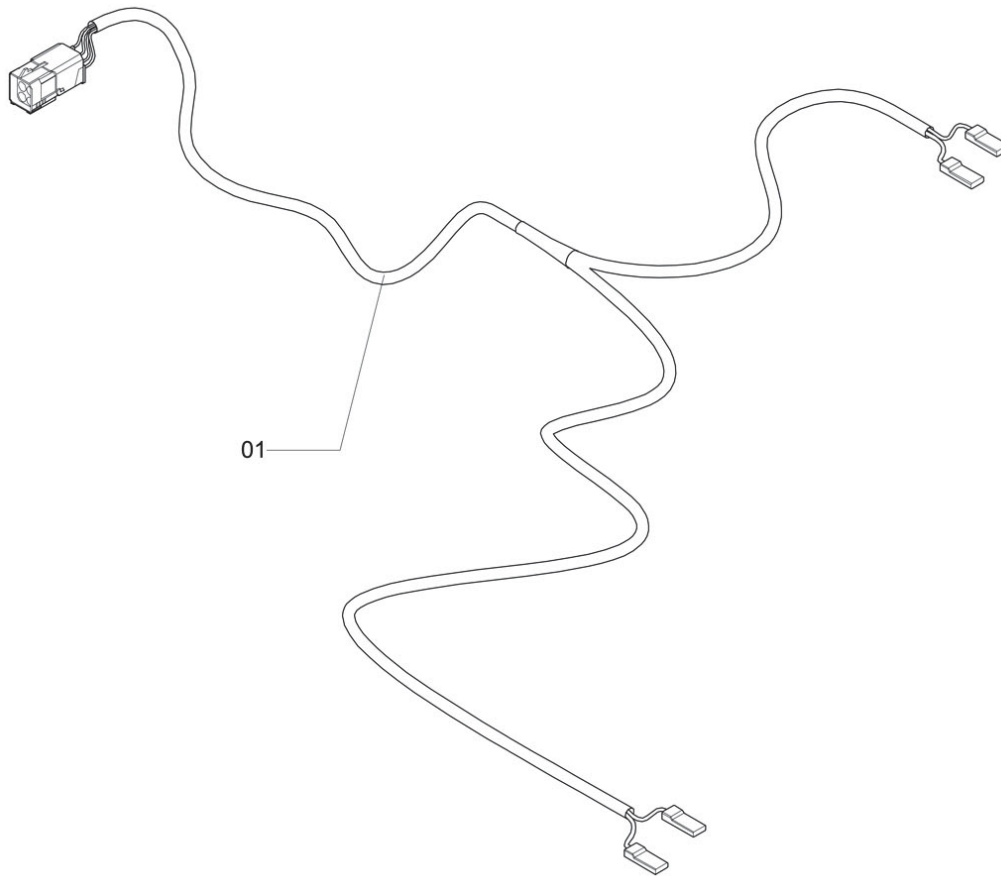


CE-405

Item	CODE	DESCRIPTION	Qty.	Item	CODE	DESCRIPTION	Qty.
00	1190054	Electric Panel EC-4400	1				
01	091405	Small U support	1				
02	972018	Threaded rubber bushing	2				
03	973388	Rubber washer 31	2				
04	971994	Thermoplastic knob	2				
05	437194	Protective cap	4				
06	953504	Round metallic key	2				
07	196295	Led	1				
08	437178	Double-throw switch with nut	2				
09	972711	Upper panel	1				
10	1190049	Internal Cable EC-4400	1				
11	910002897	Silicone tube 3.0 x 1.5/1.7 (red)	1				
12	1188987	Panel Sticker " EC-4400"	1				
13	181057	Aluminium base	1				
14	910002896	Silicone round tube 4,8 x 0,9	1				
15	878611	Fastening claw	12				
16	849331	Screw 3.5 x 12	12				
17	972729	Lower panel	1				
18	878769	Screw 3.5 x 20	4				
19	077008	Cable press	2				
20	592147	Plastic nut for cable press PG9	2				

Controlled copy – Distribution and reproduction prohibited

CONNECTION CABLE



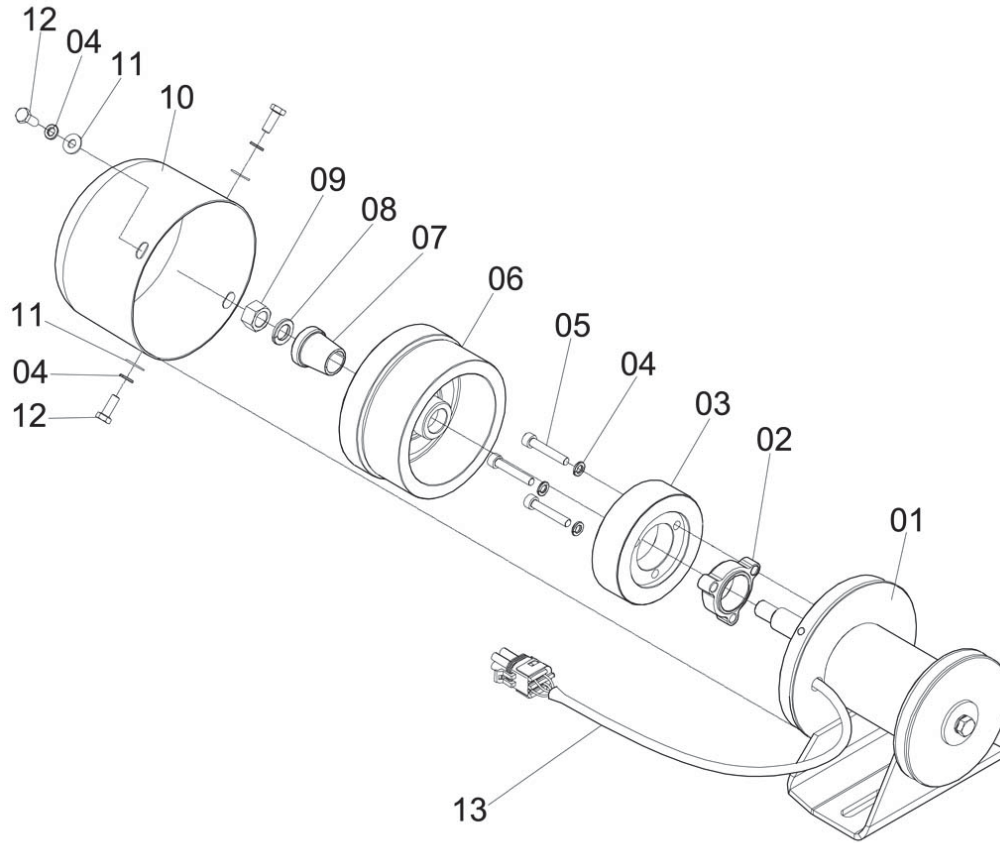
CE-400

Item	CODE	DESCRIPTION	Qty.
00	1189274	Connection cable	1
01	1189274	Connection cable	1

Item	CODE	DESCRIPTION	Qty.

Controlled copy – Distribution and reproduction prohibited

POWER GENERATOR - V

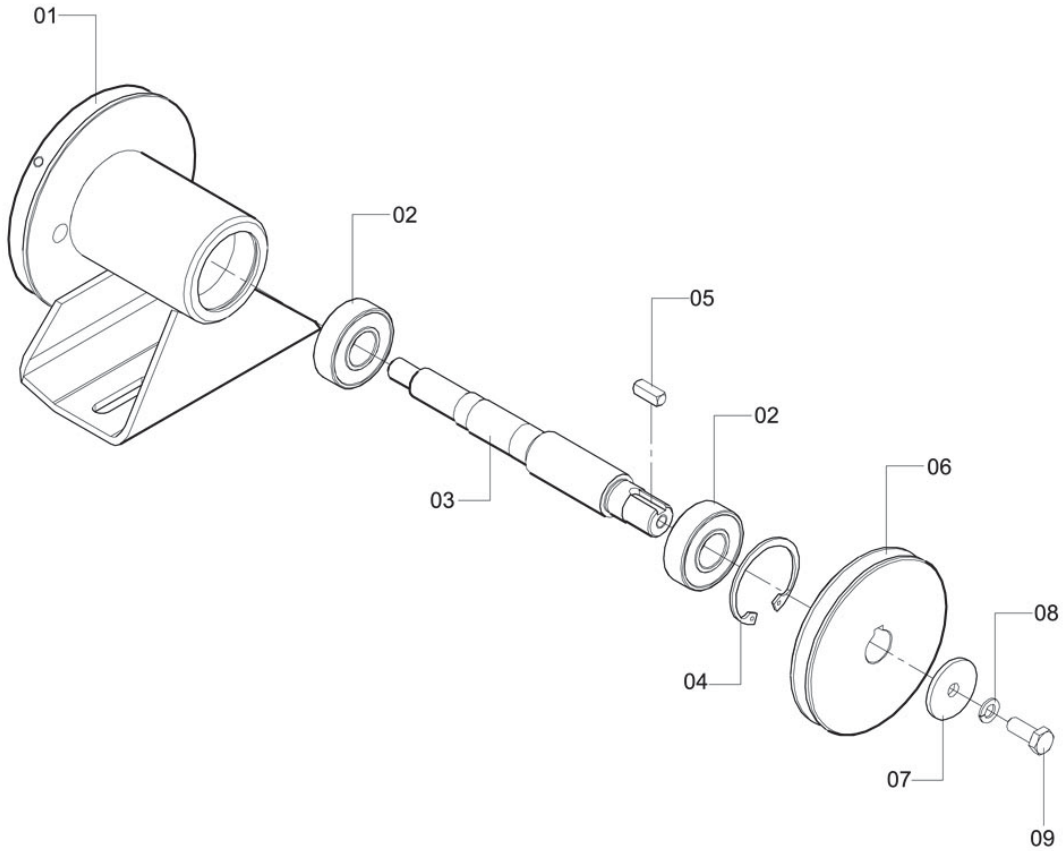


CE-337

Item	CODE	DESCRIPTION	Qty.	Item	CODE	DESCRIPTION	Qty.
00	1160236	Power generator - V	1				
01	1160240	Tension generator bearing assembly	1				
02	527134	Spacer bushing	1				
03	1160117	Assembly Stator 12P	1				
04	521666	Lock washer M6	7				
05	544767	Round head screw - int. hex. M6 x 35	3				
06	1160118	Assembly rotor 12P	1				
07	528744	Bushing	1				
08	209163	Lock washer M12	1				
09	443846	Hex. nut M 12 x 1.25	1				
10	1159026	Aluminium protection	1				
11	501460	Flat washer 65 x 150 x 12	4				
12	829507	Hex. head bolt M6 x 16 x 1.00	4				
13	278002	Tension generator cable "III"	1				

Controlled copy – Distribution and reproduction prohibited

TENSION GENERATOR BEARING ASSEMBLY

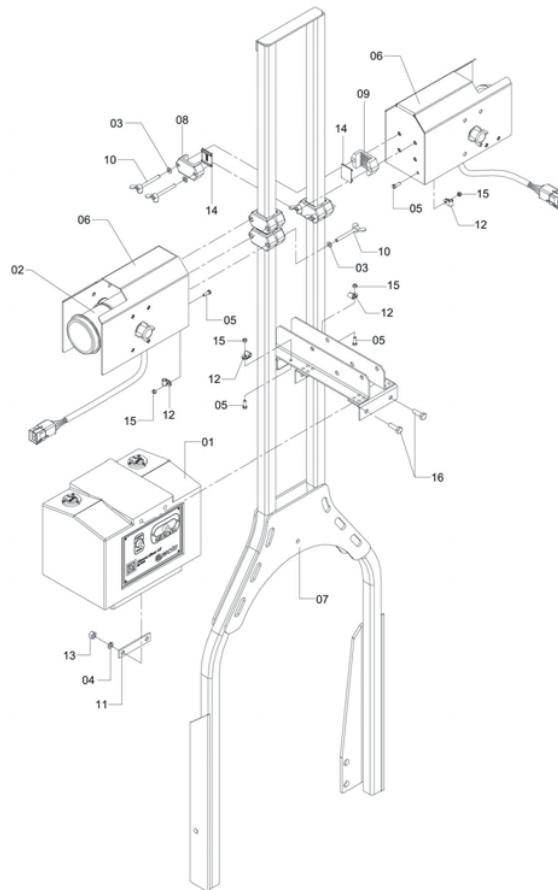


CE-338

Item	CODE	DESCRIPTION	Qty.	Item	CODE	DESCRIPTION	Qty.
00	1160240	Tension generator bearing assembly	1				
01	1155662	Generator bearing	1				
02	901389	Fixed bearing no. 6204 DDU	2				
03	525419	Shaft	1				
04	901371	Snap ring for hole ø 47	1				
05	564898	Square key 1/4" x 18.5	1				
06	1170742	Generator pulley ø 110	1				
07	420281	Flat washer 82 x 350 x 30	1				
08	519736	Lock washer M8	1				
09	829374	Hex. head bolt M8 x 20 x 1.25 -cl 8.8	1				

Controlled copy – Distribution and reproduction prohibited

SENSOR HOUSING

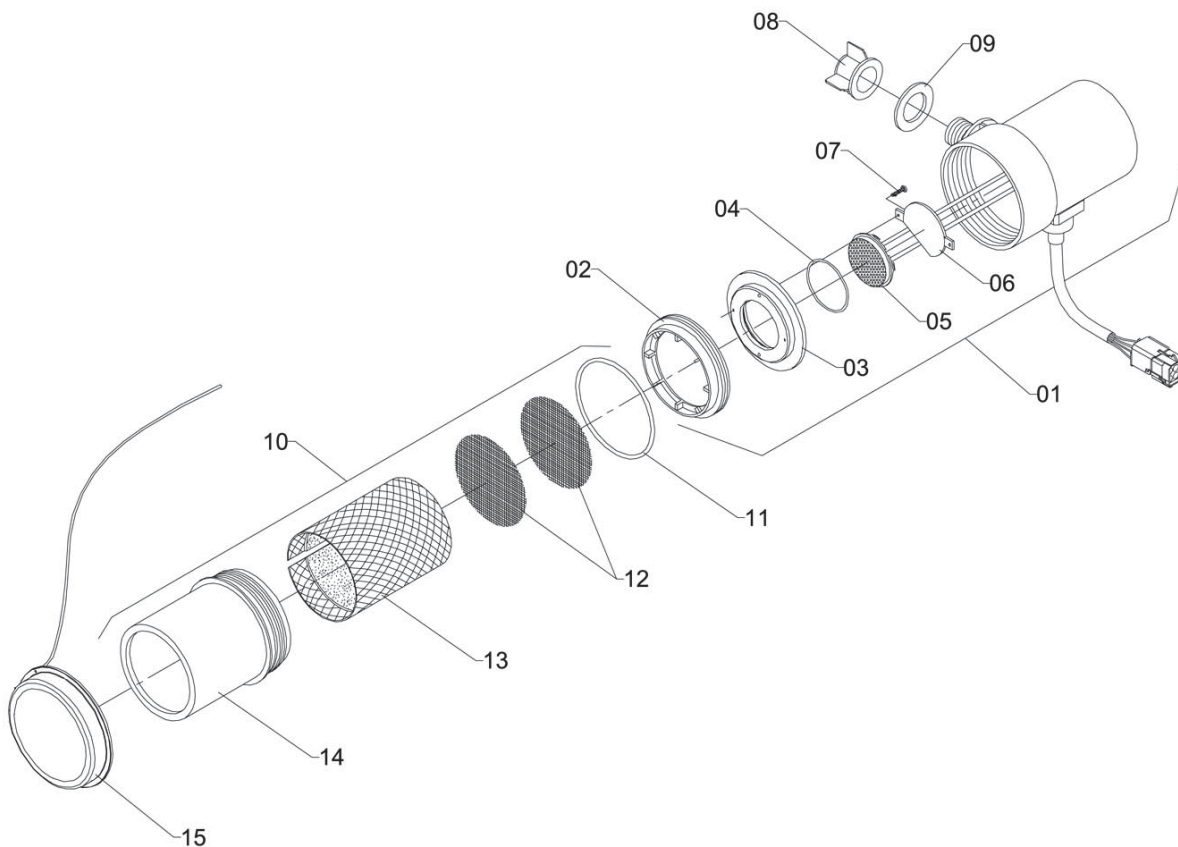


CE-383

Item	CODE	DESCRIPTION	Qty.	Item	CODE	DESCRIPTION	Qty.
00	278499	Sensor housing	1				
02	390740	Tree sensor VII	2				
03	050195	Flat washer 64 x 125 x 95 - stainless steel	8				
04	519736	Lock washer M8	4				
05	728253	Screw M5 x 15 x 0.8	4				
06	758318	Sensor support	2				
07	252585	Sensor housing support	1				
08	762658	Adjustable guide I	4				
09	762666	Adjustable guide II	4				
10	765487	Thumbscrew M6 x 55 x 1.00	8				
11	771238	Reinforcement	2				
12	781500	Clamp	4				
13	810770	Hex. nut M8 x 1.25	4				
14	270926	Spacer	8				
15	564971	Nut M-5 x 0.8	4				
16	829382	Hex head bolt M8 x 25 x 1.25	4				

Controlled copy – Distribution and reproduction prohibited

TREE SENSOR VII



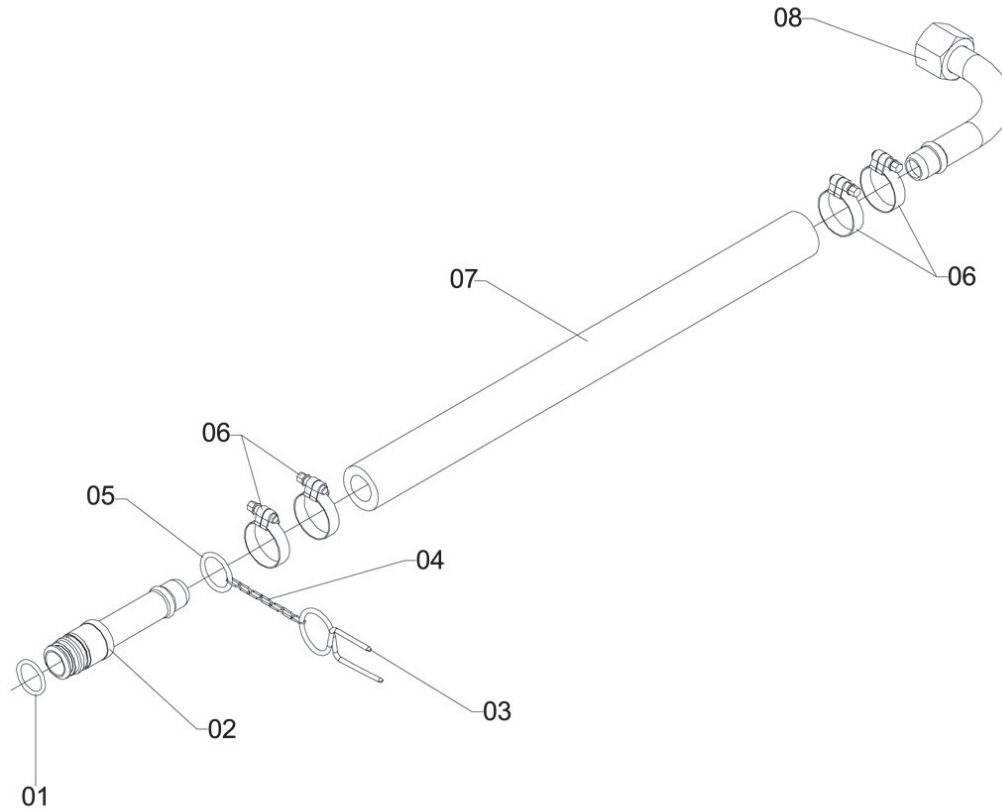
CE-562

Item	CODE	DESCRIPTION	Qty.
00	390740	Tree sensor VII	1
01	395830	Body assembly	1
02	866194	Clip flange	1
03	866186	Fitting Cover	1
04	430827	O-ring ORI-029	1
05	438564	Transducer 9000 "Environmental POLAROID"	1
06	352526	Sensor support	1
07	438812	Hex. bolt 22 x 10	2
08	635052	Wing nut $\frac{1}{2}$ " - 14 BSP	1
09	973024	Seal 36 x 21 x 6	1
11	600775	Packing ring	1
12	635102	Screen $\frac{1}{2}$ "	2
13	635078	Sensor insulator	1
14	635029	Sensor protector	1
15	635045	Sensor cover	1

Item	CODE	DESCRIPTION	Qty.

Controlled copy – Distribution and reproduction prohibited

FLEXIBLE ω 3/4 X 370 WITH COUPLING END 90 ϵ X 0 ϵ ER.

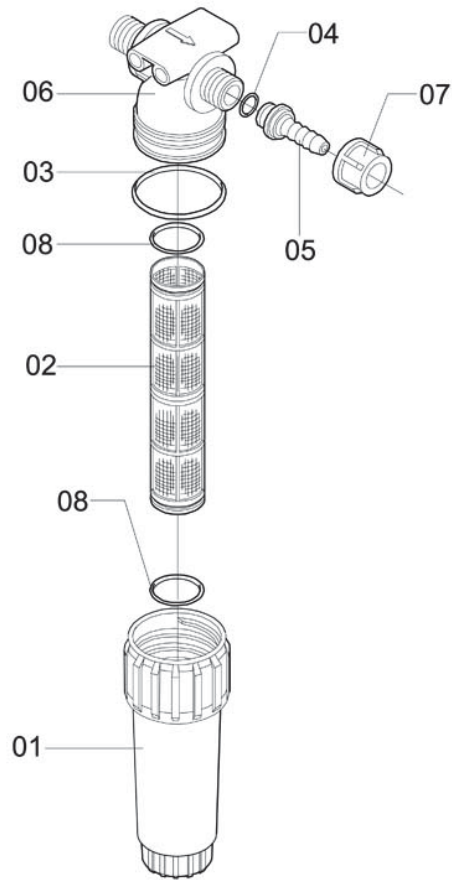


CD-863

Item	CODE	DESCRIPTION	Qty.	Item	CODE	DESCRIPTION	Qty.
00	1189272	Flexible ω 3/4 x 370 with Coupling end 90 ϵ x 0 ϵ ER.	1				
01	531806	O-ring OR1-117	1				
02	567453	Quick fitting 3/4"	1				
03	636399	Quick fitting clamp	1				
04	437822	Chain 120 mm	1				
05	622969	Double ring ω 22 x 26 x 3	1				
06	423814	Clamp D22-32 - stainless steel	4				
07	1189266	Hydraulic hose without Coupling end SAE J517 100R3 - 12 370	1				
08	566943	Fitting 3/4" x 90 ϵ	1				

Controlled copy – Distribution and reproduction prohibited

50 MESH IN-LINE FILTER

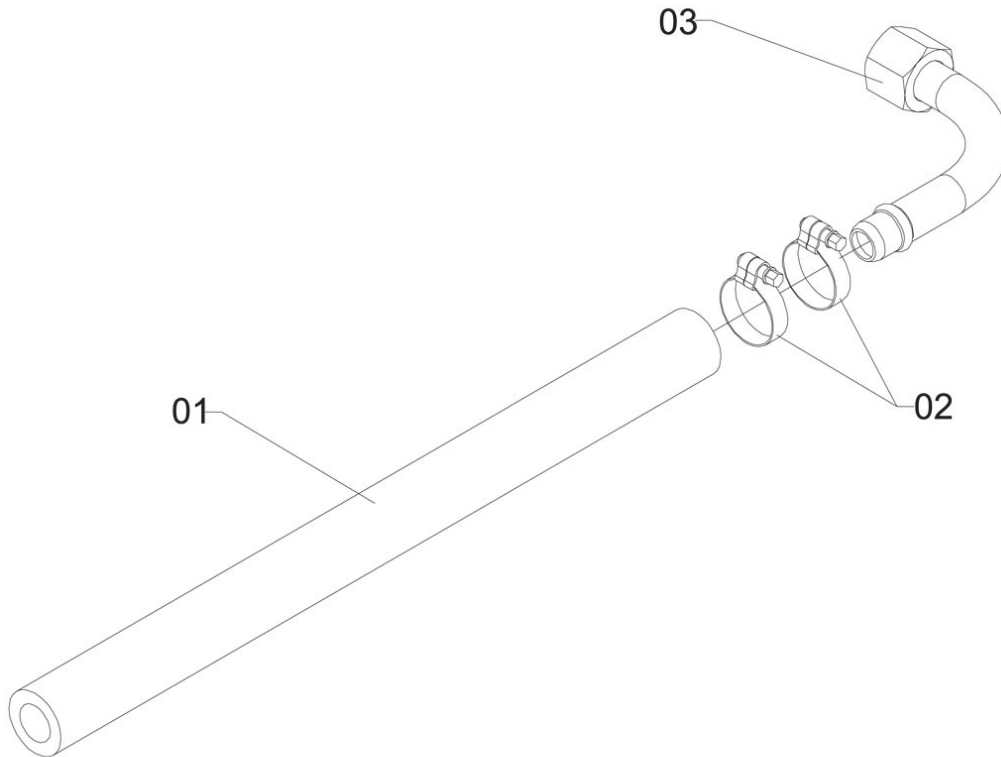


F-42

Item	CODE	DESCRIPTION	Qty.
00	748201	50 mesh in-line filter	1
01	158105	Filter body	1
02	303214	Filtering element - 50 mesh	1
03	977306	O-ring OR1-227	1
04	322057	O-ring ORI-114	1
05	867093	Fitting 3/4" with flange 23.6	1
06	873430	In-line filter body	1
07	874339	In-line filter nut	1
08	881839	O-ring OR2-124	2

Item	CODE	DESCRIPTION	Qty.

FLEXIBLE 3/4 X 190 WITH COUPLING END 90e

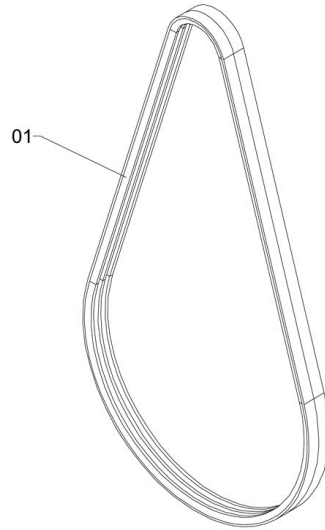


CD-843

Item	CODE	DESCRIPTION	Qty.
00	1189284	Flexible 3/4 x 190 with Coupling end 90e	1
01	1189280	Hydraulic Hose without Coupling end SAE J517 100R3 - 12 190	1
02	423814	Clamp D22-32 - stainless steel	2
03	566943	Fitting 3/4' x 90e'	1

Item	CODE	DESCRIPTION	Qty.

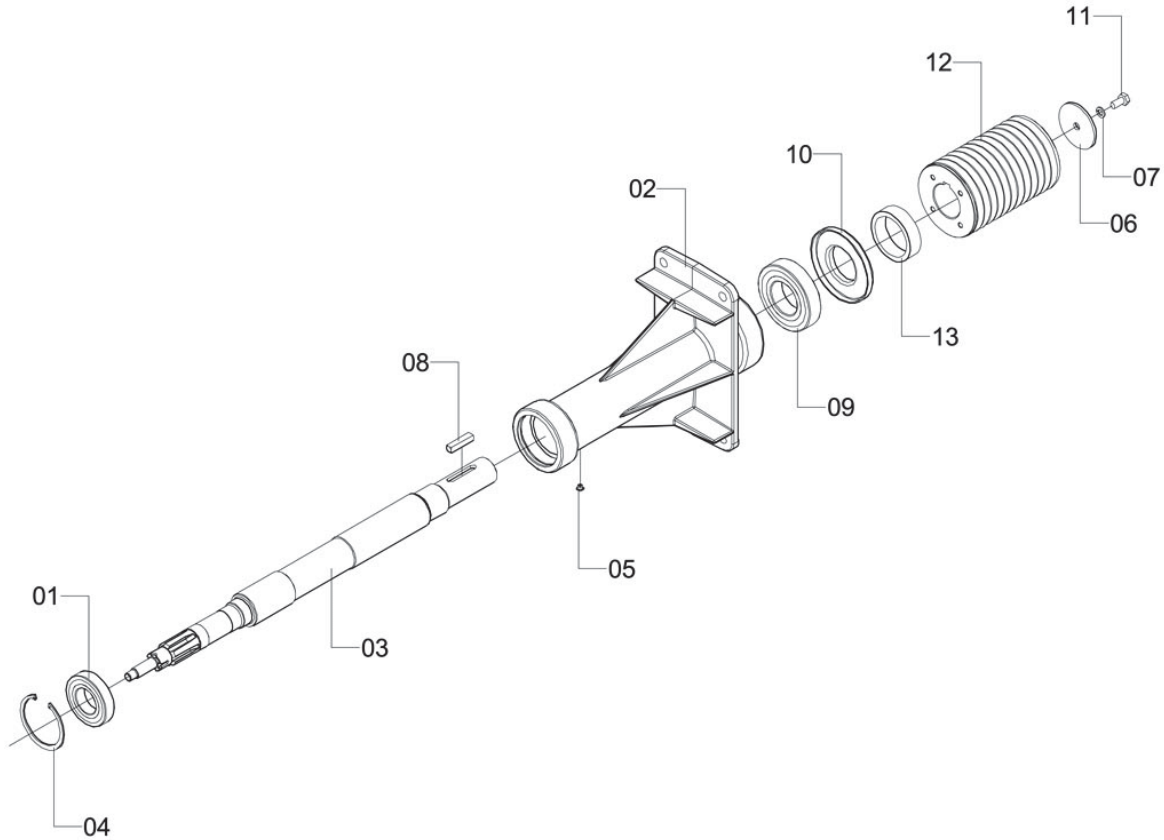
Controlled copy – Distribution and reproduction prohibited



Ref.	Código	Descrição	QT.
00	1211261	Correia trapezoidal 3/3 V x 600 - 60"	1
01	1211261	Correia trapezoidal 3/3 V x 600 - 60"	1

Ref.	Código	Descrição	QT.
------	--------	-----------	-----

FAN BEARING WITH 85 PULLEY

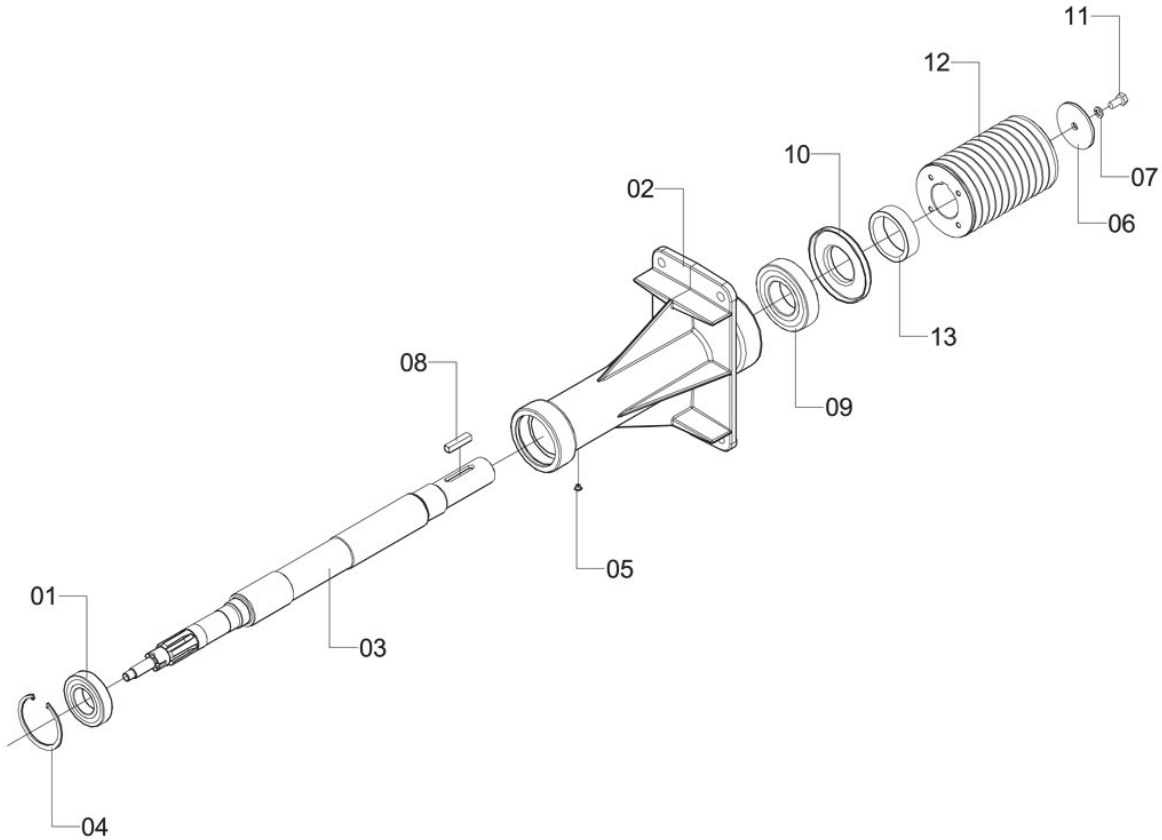


TMV-49

Item	CODE	DESCRIPTION	Qty.	Item	CODE	DESCRIPTION	Qty.
00	493197	Fan bearing with 85 pulley	1				
01	203737	Fixed bearing	1				
02	728840	Transmission bearing	1				
03	039248	Shaft 785	1				
04	324145	Snap ring for hole ω 80	1				
05	430652	Bearing breather	1				
06	507665	Flat washer 82 x 506 x 30	1				
07	519736	Lock washer M8	1				
08	519793	Square key - 9.53 (3/8") x 45	1				
09	728899	Fixed bearing	1				
10	728907	Packing ring	1				
11	910794	Hex. bolt 5/16" - 24 UNF x 5/8"	1				
12	277855	Pulley ω 85-12-3V	1				
13	728576	Spacer 15	1				

Controlled copy – Distribution and reproduction prohibited

FAN BEARING WITH PULLEY 92

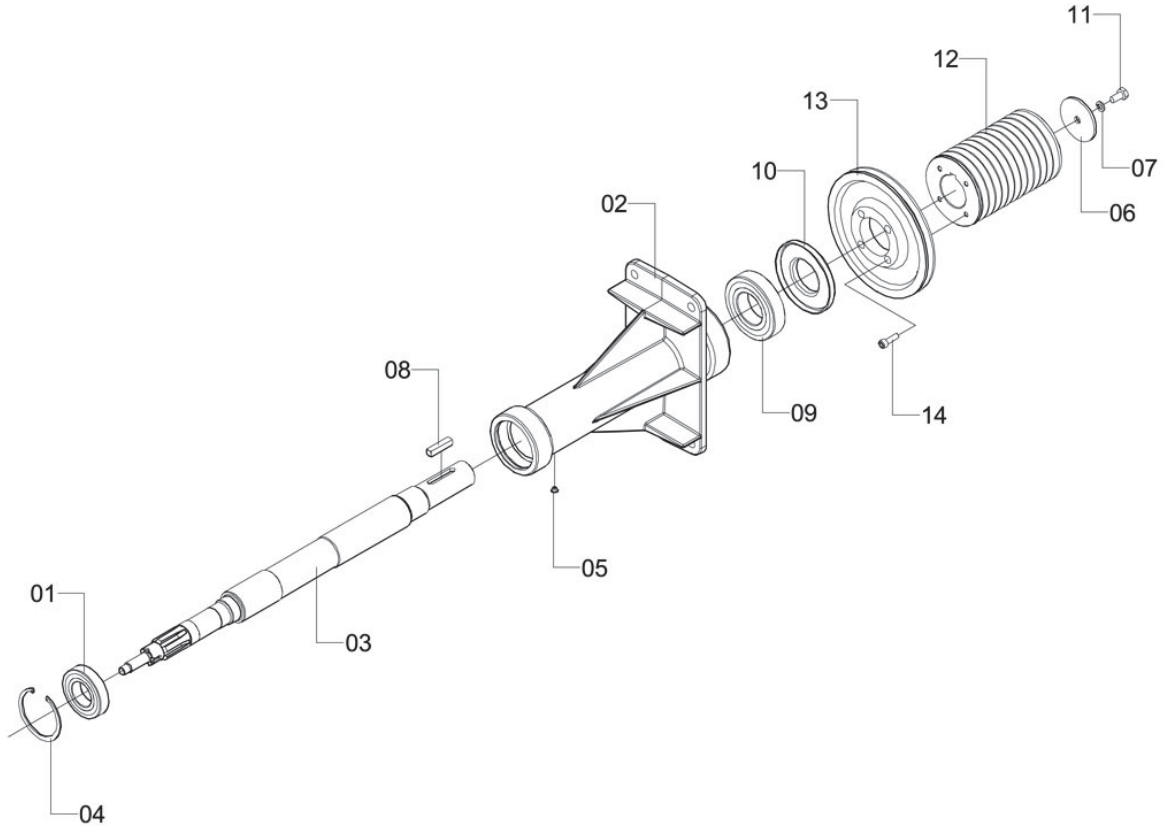


TMV-49

Item	CODE	DESCRIPTION	Qty.	Item	CODE	DESCRIPTION	Qty.
00	574970	Fan bearing with pulley 92	1				
01	203737	Fixed bearing	1				
02	728840	Transmission bearing	1				
03	039248	Shaft 785	1				
04	324145	Snap ring for hole ω 80	1				
05	430652	Bearing breather	1				
06	507665	Flat washer 82 x 506 x 30	1				
07	519736	Lock washer M8	1				
08	519793	Square key - 9.53 (3/8") x 45	1				
09	728899	Fixed bearing	1				
10	728907	Packing ring	1				
11	910794	Hex. bolt 5/16" - 24 UNF x 5/8"	1				
12	296954	Pulley Ω 92-12-3V	1				
13	728576	Spacer 15	1				

Controlled copy – Distribution and reproduction prohibited

FAN BEARING FOR SP EXP. ω 85



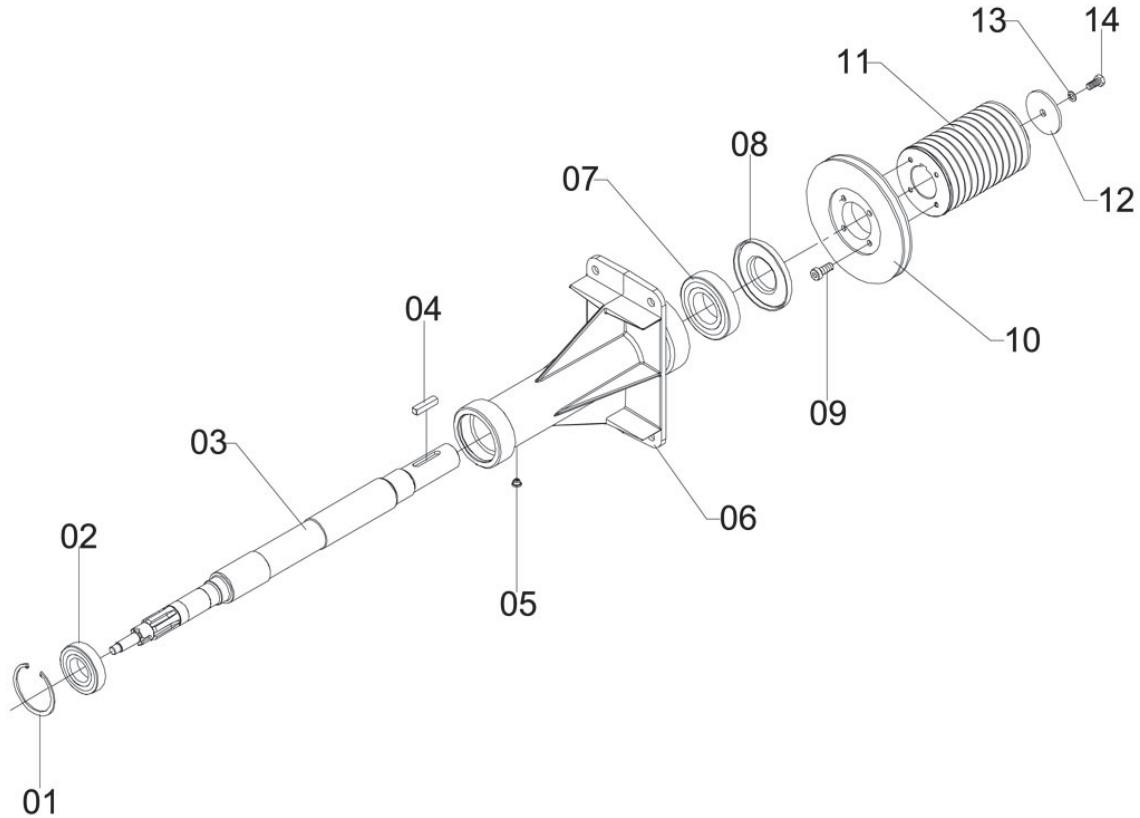
TMV-50

Item	CODE	DESCRIPTION	Qty.
00	164533	Fan bearing for SP Exp. ω 85	1
01	203737	Fixed bearing	1
02	728840	Transmission bearing	1
03	039248	Shaft 785	1
04	324145	Snap ring for hole ω 80	1
05	430652	Bearing breather	1
06	507665	Flat washer 82 x 506 x 30	1
07	519736	Lock washer M8	1
08	519793	Square key - 9.53 (3/8") x 45	1
09	728899	Fixed bearing	1
10	728907	Packing ring	1
11	910794	Hex. bolt 5/16" - 24 UNF x 5/8"	1
12	277855	Pulley ω 85-12-3V	1
13	559310	Pulley ω 158-1-3V	1
14	324376	Allen screw 1/4" UNC x 3/4"	4

Item	CODE	DESCRIPTION	Qty.

Controlled copy – Distribution and reproduction prohibited

FAN BEARING FOR EXPORT Ш 92

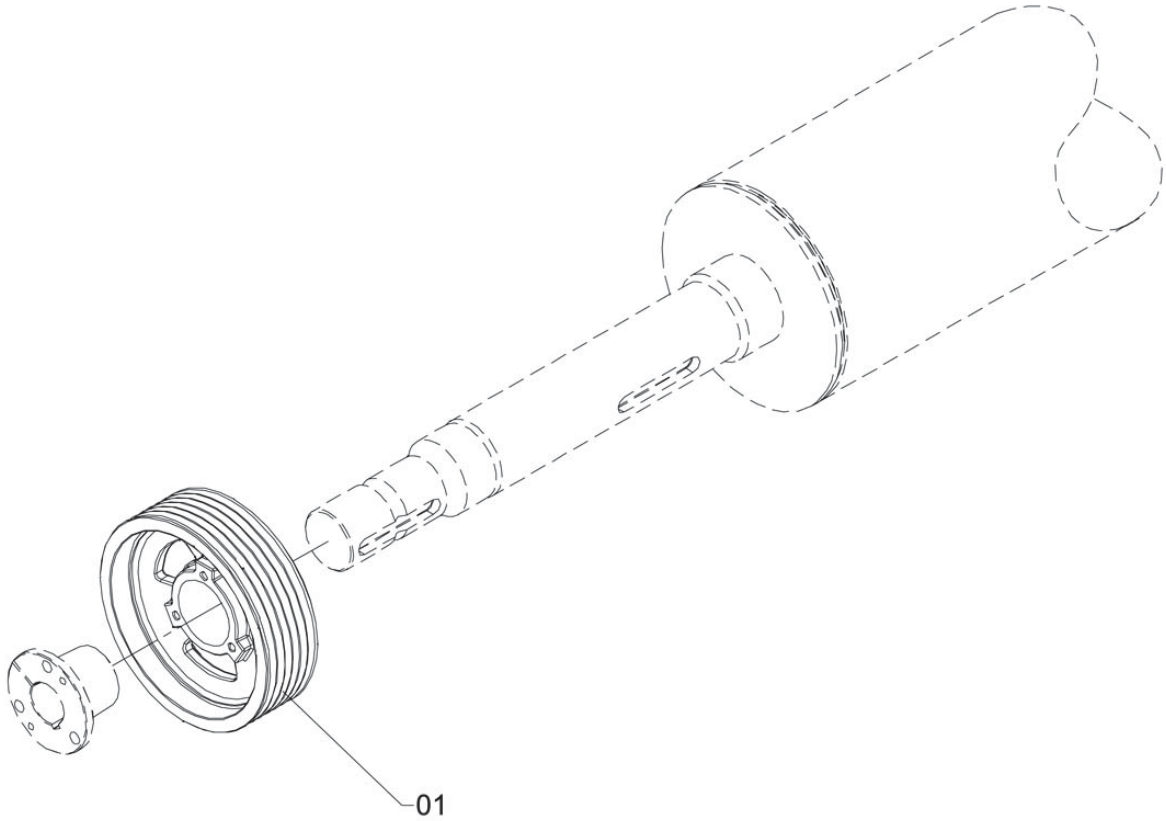


TMV-72

Item	CODE	DESCRIPTION	Qty.	Item	CODE	DESCRIPTION	Qty.
00	018415	Fan bearing for export ш 92	1				
01	324145	Snap ring for hole ш 80	1				
02	203737	Fixed bearing	1				
03	039248	Shaft 785	1				
04	519793	Square key - 9.53 (3/8") x 45	1				
05	430652	Bearing breather	1				
06	728840	Transmission bearing	1				
07	728899	Fixed bearing	1				
08	728907	Packing ring	1				
09	324376	Allen screw 1/4" UNC x 3/4"	4				
10	559328	Pulley ш 158-1-3V guide 92	1				
11	296954	Pulley Ш 92-12-3V	1				
12	507665	Flat washer 82 x 506 x 30	1				
13	519736	Lock washer M8	1				
14	856260	Screw 5/16" - 24 UNF x 3/4"	1				

Controlled copy – Distribution and reproduction prohibited

PULLEY ⅓ 228-6-3V



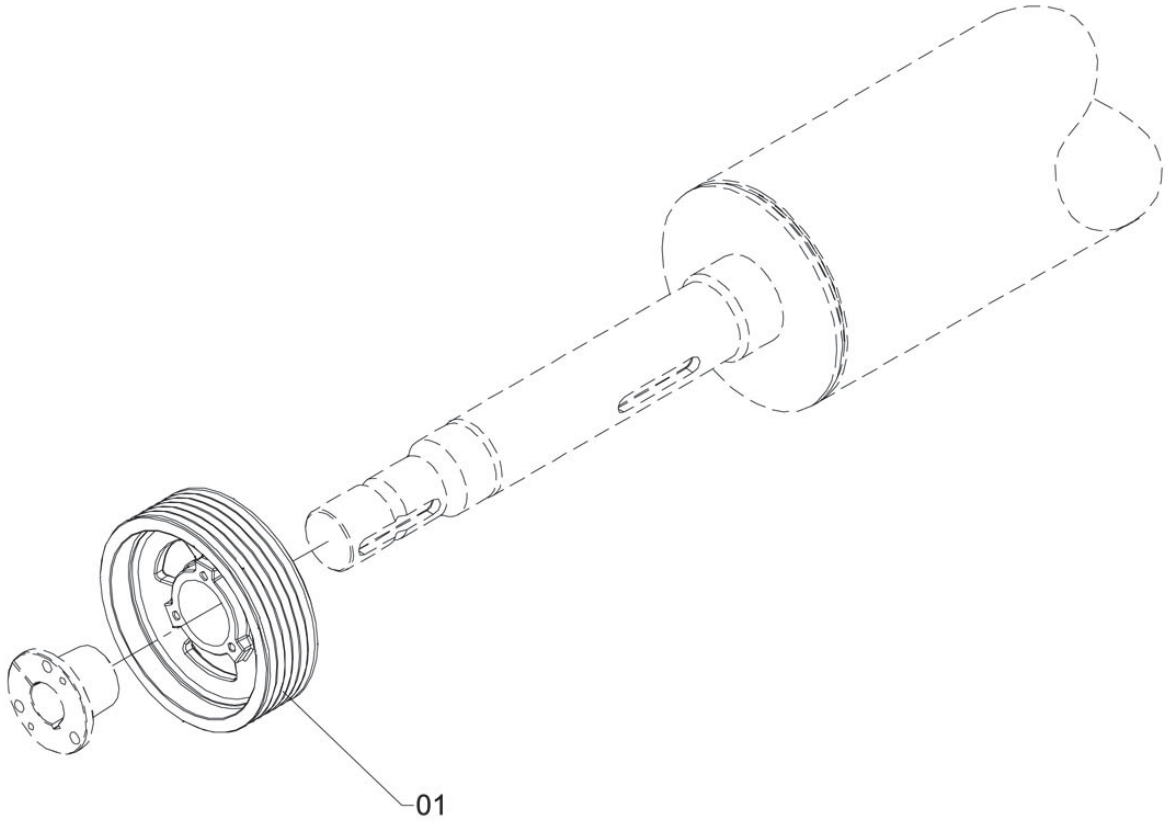
TMT-71

Item	CODE	DESCRIPTION	Qty.
00	375485	Pulley ⅓ 228-6-3V	1
01	375485	Pulley ⅓ 228-6-3V	1

Item	CODE	DESCRIPTION	Qty.

Controlled copy – Distribution and reproduction prohibited

PULLEY Ш 200-6-3V



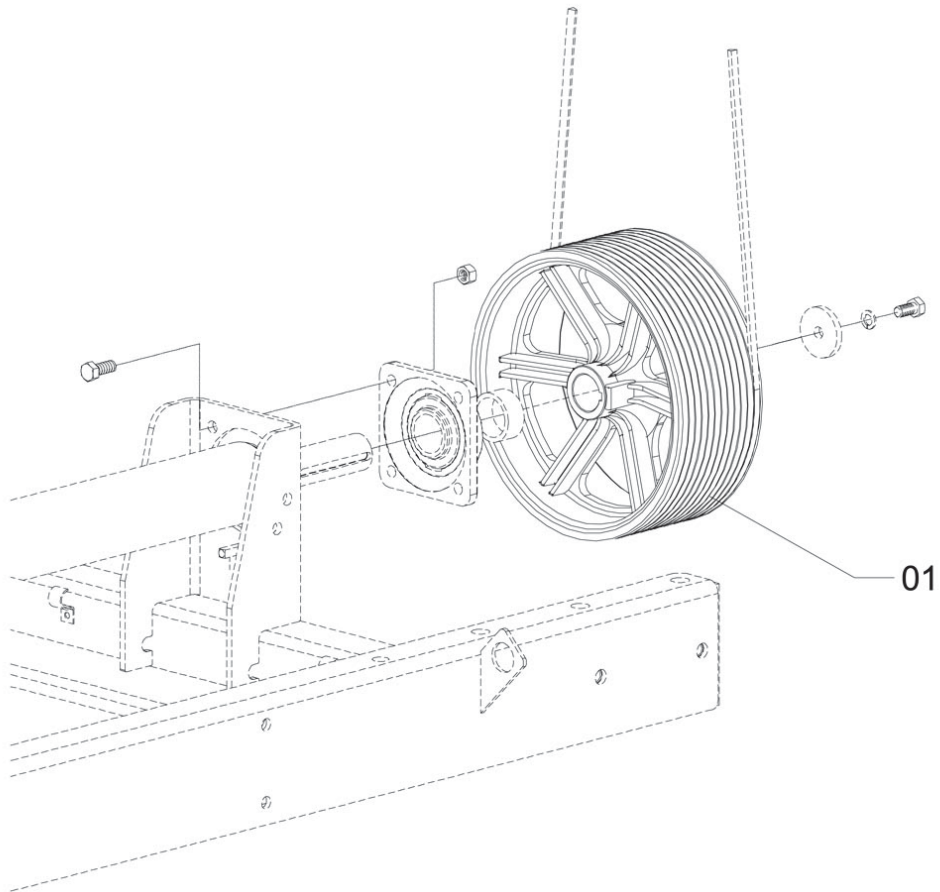
TMT-71

Item	CODE	DESCRIPTION	Qty.
00	353946	Pulley ш 200-6-3V	1
01	353946	Pulley ш 200-6-3V	1

Item	CODE	DESCRIPTION	Qty.

Controlled copy – Distribution and reproduction prohibited

PULLEY W 332-12-3V

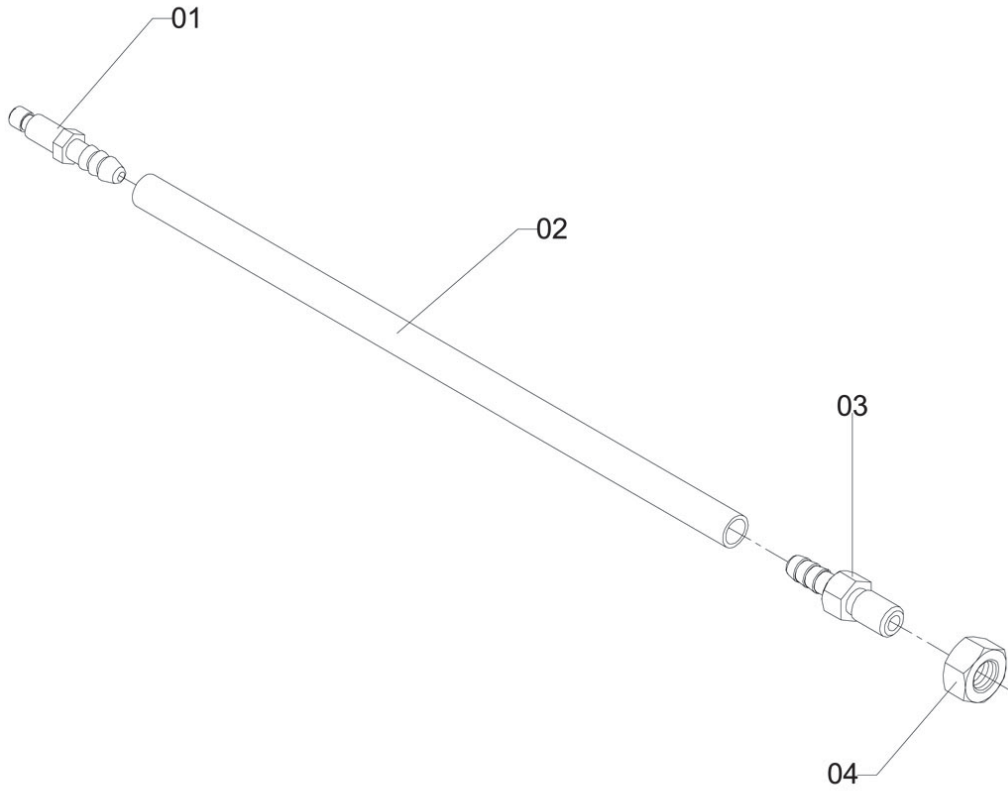


TMT-99

Item	CODE	DESCRIPTION	Qty.
00	551861	Pulley W 332-12-3V	1
01	551861	Pulley W 332-12-3V	

Item	CODE	DESCRIPTION	Qty.

HOSE - GREASE NIPLE

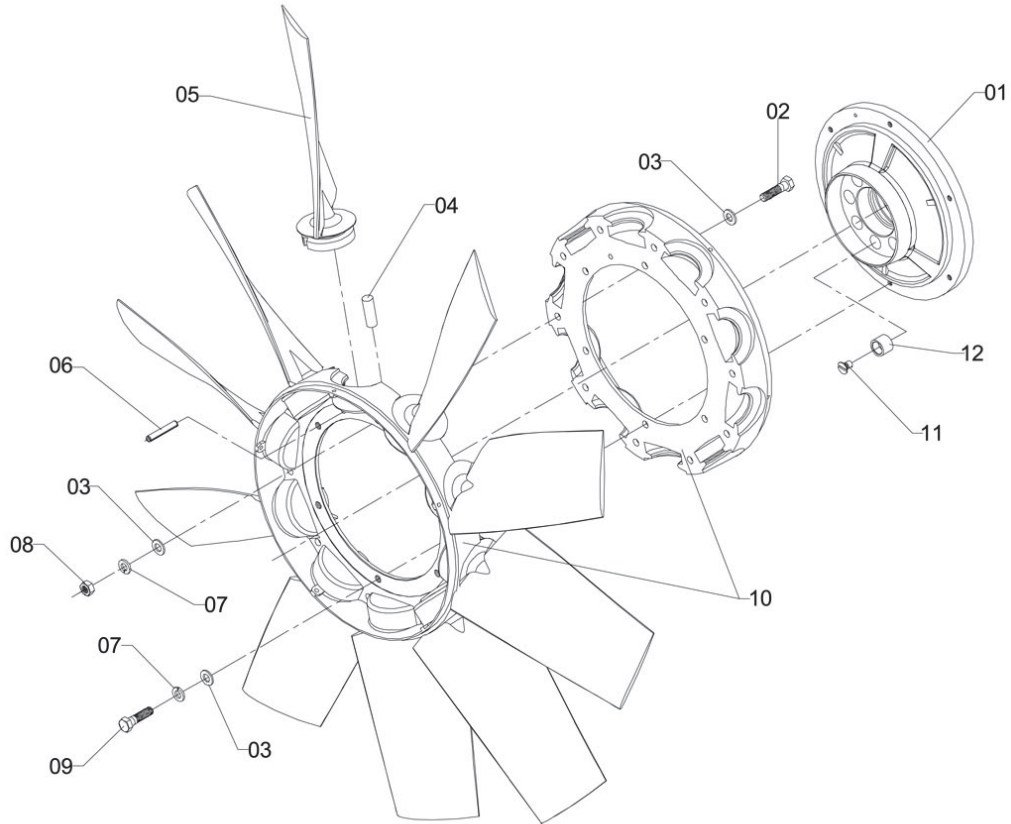


TMT-240

Item	CODE	DESCRIPTION	Qty.
00	999391	Hose - Grease nipple	1
01	044313	Male fitting for hose \varnothing 1/4" x 44,5	1
02	426213	Hose 1/4" x 400	1
03	426189	Fitting	1
04	907030	Hex. nut M10 x 1.25	1

Item	CODE	DESCRIPTION	Qty.

FAN ASSEMBLY

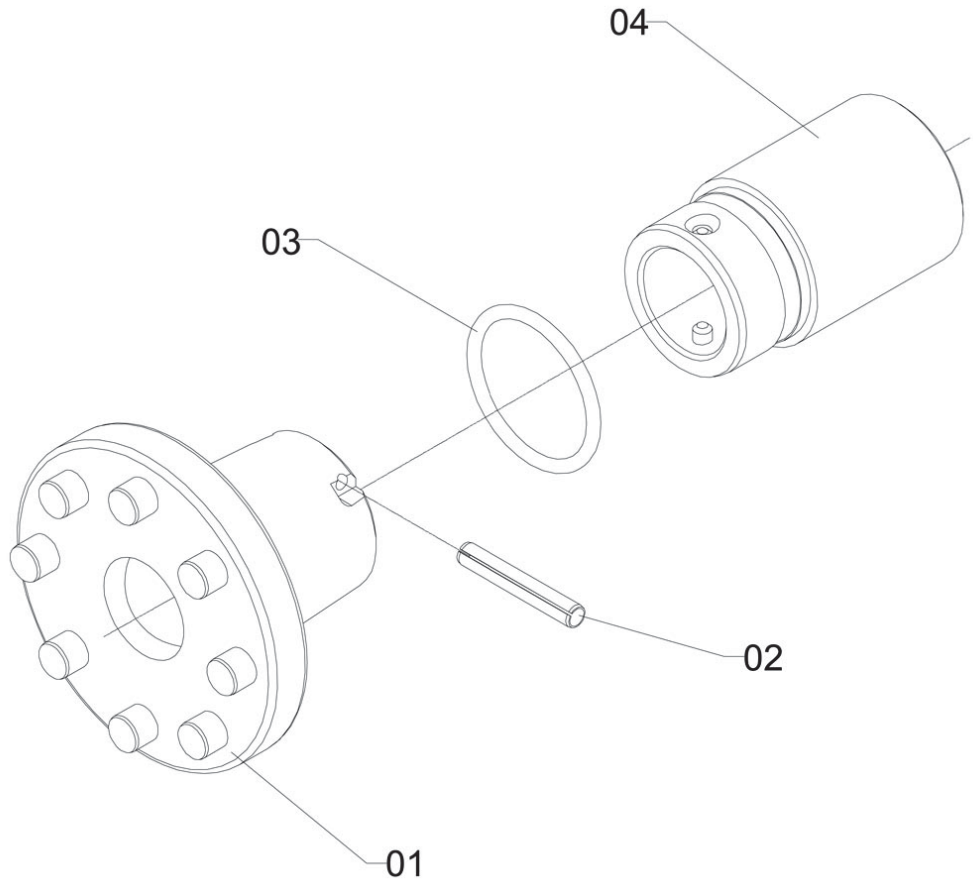


TMV-53

Item	CODE	DESCRIPTION	Qty.	Item	CODE	DESCRIPTION	Qty.
00	348995	Fan assembly	1				
01	018481	Flange hub	1				
02	721704	Hex. bolt 5/16" UNC 1.1/4"	10				
03	013433	Flat washer	26				
04	298182	Pin \varnothing 8.40 x 14	10				
05	038661	Fan blade 850	10				
06	330076	Flexible pin \varnothing 4 x 16 (heavy)	1				
07	519736	Lock washer M8	16				
08	912758	Hex. nut 5/16" - 18 UNC	10				
09	826693	Bolt \varnothing 5/16" x 1.1/2"	6				
10	018663	Blade fastening flange (outer)	2				
11	939140	Screw M6 x 16	8				
12	937607	Bushing 17.6 x 16	8				

Controlled copy – Distribution and reproduction prohibited

GROOVED HUB WITH HITCH

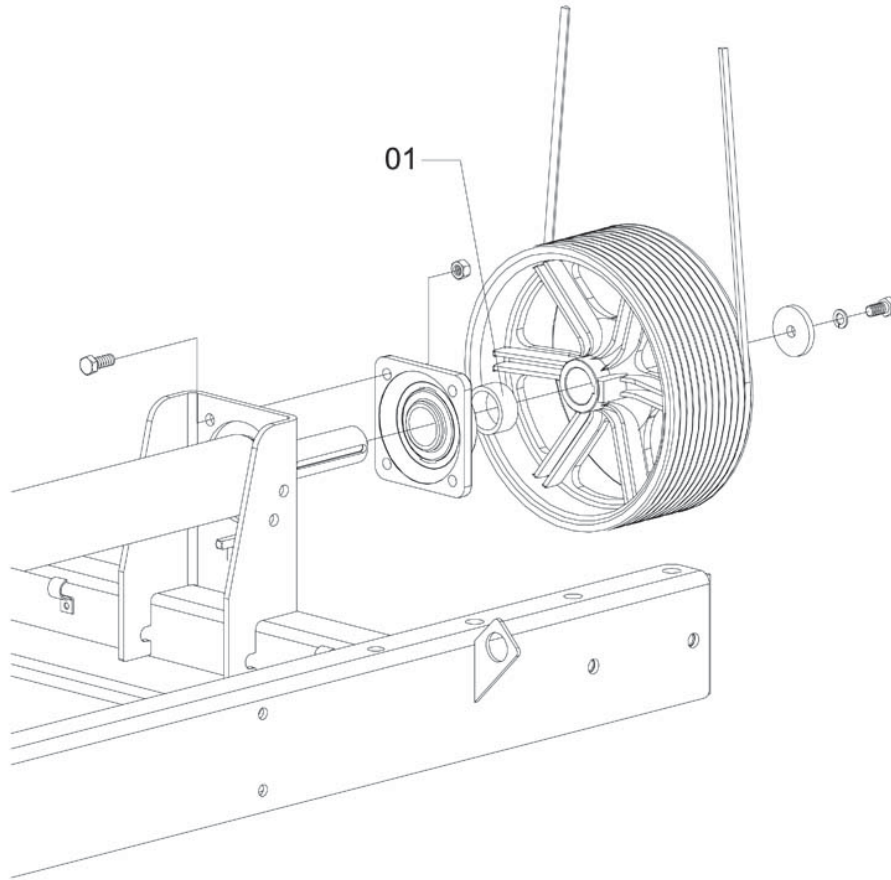


TMV-52

Item	CODE	DESCRIPTION	Qty.
00	177055	Grooved hub with hitch	1
01	018713	Grooved hub with pins	1
02	427567	Flexible pin ω 5 x 32	1
03	011643	O-ring ORI-129	1
04	201103	Coupling hub	1

Item	CODE	DESCRIPTION	Qty.

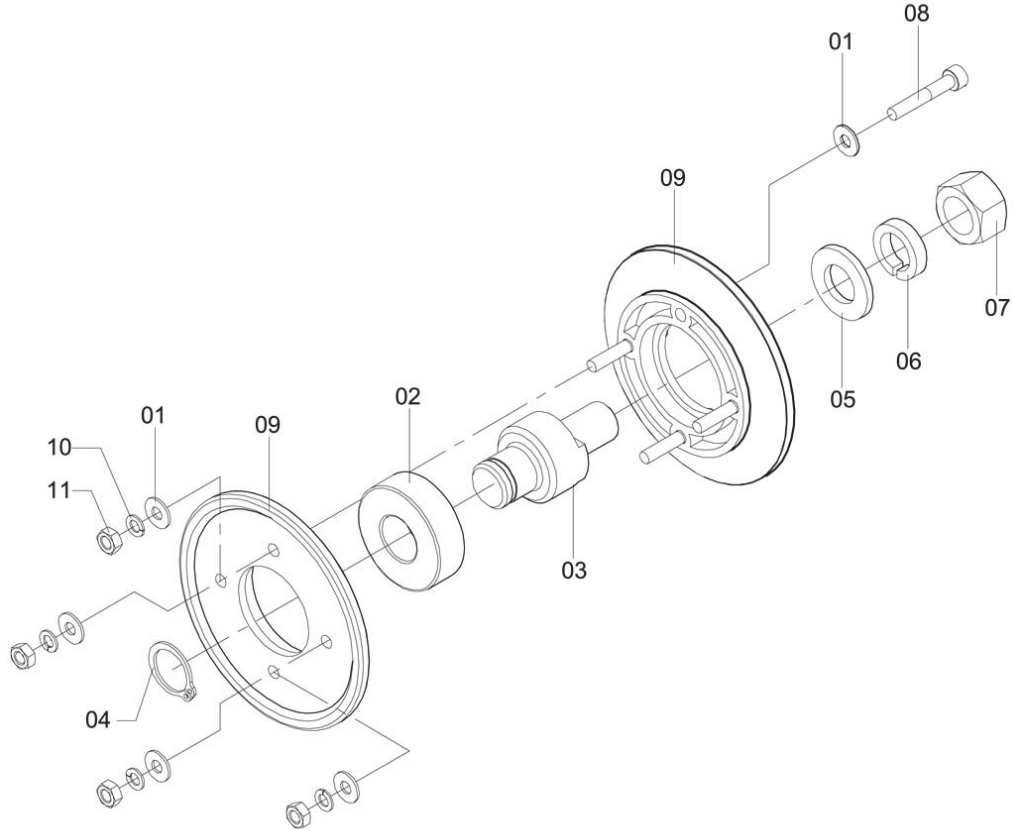
SPACER 55



TMT-100

Item	CODE	DESCRIPTION	Qty.	Item	CODE	DESCRIPTION	Qty.
00	175695	Spacer 55	1				
01	175695	Spacer 55					

TIGHTENING PULLEY ASSEMBLY 78-1A (SHAFT Ш 15 X 50,5)

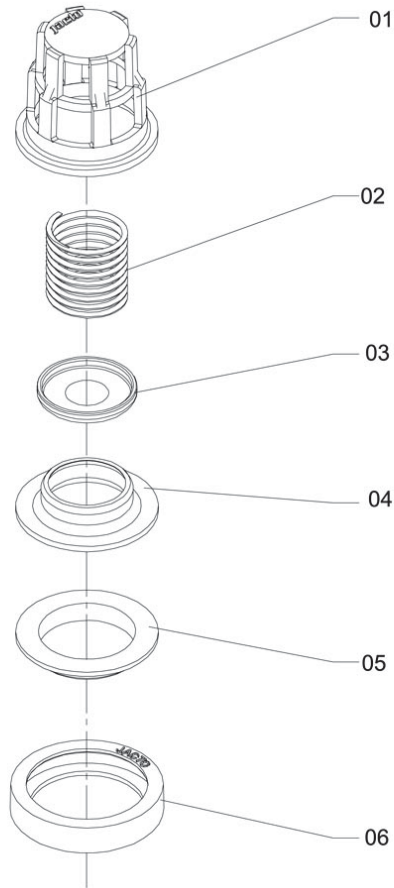


LE-14

Item	CODE	DESCRIPTION	Qty.	Item	CODE	DESCRIPTION	Qty.
00	645416	Tightening pulley assembly 78-1A (Shaft ш 15 x 50,5)	1				
01	508515	Flat washer 43 x 102 x 8	8				
02	328781	Fixed bearing	1				
03	817627	Tightening pulley shaft 15 x 50.5	1				
04	910851	Snap ring for shaft 15	1				
05	818112	Flat washer 130 x 240 x 30	1				
06	908582	Lock washer 1/2"	1				
07	912790	Hex. nut 1/2" - 13 UNC	1				
08	1148396	Screw M4 X 0.7 MM 25 Comp	4				
09	644641	Pulley disk ш 78 - 1A	2				
10	520700	Lock washer M4	4				
11	551523	Hex. nut M-4 x 0.7 stainless steel	4				

Controlled copy – Distribution and reproduction prohibited

VALVE FOR PUMP W 24 - MODEL "D"

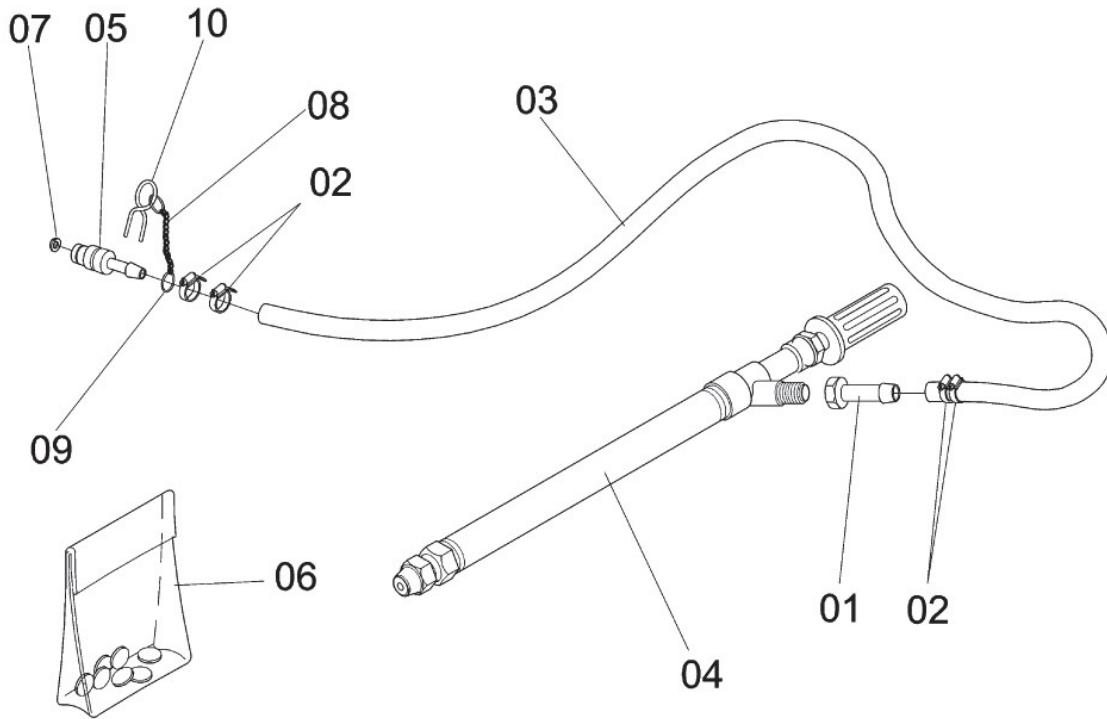


B-114

Item	CODE	DESCRIPTION	Qty.	Item	CODE	DESCRIPTION	Qty.
00	587378	Valve for pump w 24 - model "D"	1				
01	587212	Gage	1				
02	587360	Stainless compressing spring	1				
03	323030	Disk	1				
04	323022	Valve seat	1				
05	323006	Valve ring	1				
06	323014	Packing ring w 47 x 35.5 x 9.00	1				

Controlled copy – Distribution and reproduction prohibited

GUN KIT WITH 12-M HOSE AND QUICK FITTING

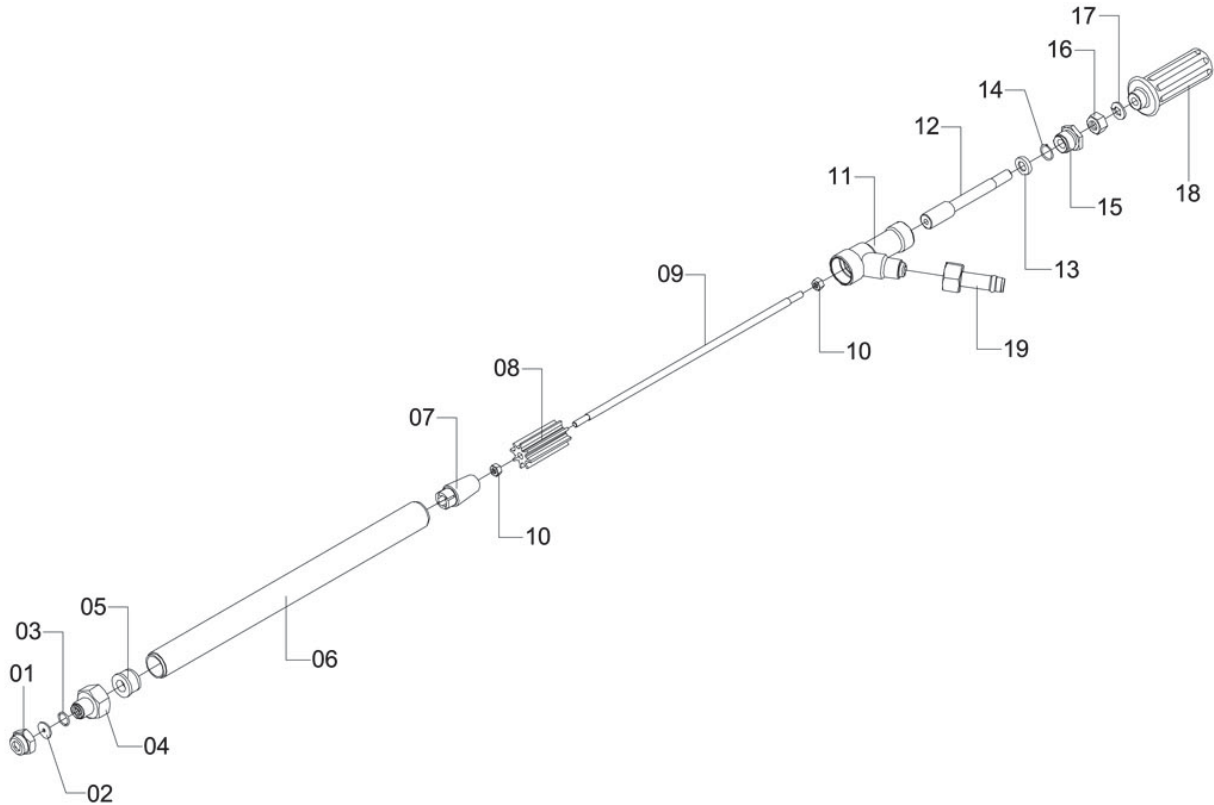


P-6

Item	CODE	DESCRIPTION	Qty.	Item	CODE	DESCRIPTION	Qty.
00	170696	Gun kit with 12-m hose and quick fitting	1				
01	413310	Hose fitting \varnothing 1/2"	2				
02	423814	Clamp D22-32 - stainless steel	8				
03	978734	Hose \varnothing 12,7 (1/2") x 13500	2				
04	114520	Spray Gun for Citrus	2				
05	636407	Quick fitting 1/2"	2				
06	525857	Disks set	2				
06A	114686	Disk 10	1				
06B	202259	Disk no. 8 (citrus spray gun)	1				
06C	202267	Disk no. 6 (citrus spray gun)	1				
06D	202275	Disk no. 5 (citrus spray gun)	1				
06E	622811	Disk no. 7 (citrus spray gun)	1				
06F	622829	Disk 9	1				
06G	622837	Disk 11	1				
07	440982	O-ring OR1-117	2				
08	437822	Chain 120 mm	2				
09	622969	Double ring \varnothing 22 x 26 x 3	4				
10	636399	Quick fitting clamp	2				

Controlled copy – Distribution and reproduction prohibited

SPRAY GUN FOR CITRUS

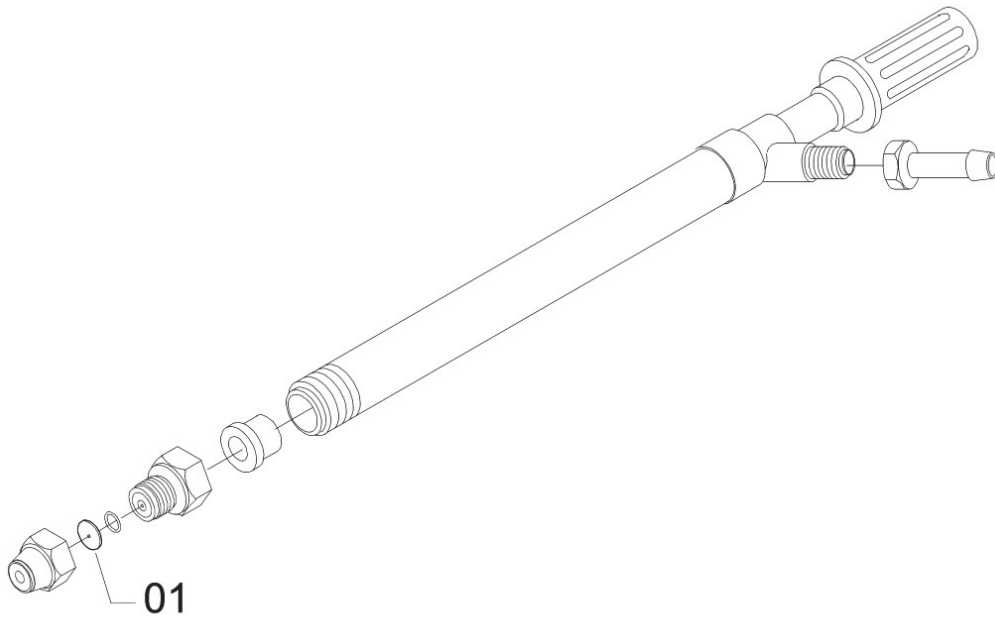


P-10

Item	CODE	DESCRIPTION	Qty.	Item	CODE	DESCRIPTION	Qty.
00	114520	Spray Gun for Citrus	1				
01	114678	Nut 3/4" UNF	1				
02	622837	Disk 11	1				
03	011676	O-ring OR1-111	1				
04	114660	Nozzle body	1				
05	114652	Bushing	1				
06	114629	Duct	1				
07	114645	Swirl core	1				
08	114637	Guide	1				
09	114611	Extension	1				
10	204131	Nut 1/4" UNF x 4,9	2				
11	114595	Spray gun valve body	1				
12	114553	Screw w 7/16" UNC x 3/4" x 125	1				
13	114587	Ring 20.6 x 4	1				
14	114579	Gasket 3/16" x 50 mm	1				
15	114561	Nut 7/8" UNF	1				
16	916627	Nut 7/16" - 14 UNC	1				
17	912998	Lock washer 7/16"	1				
18	114538	Spray gun handle with thread 7/16"	1				
19	413310	Hose fitting w 12.7 (1/2")	1				

Controlled copy – Distribution and reproduction prohibited

DISKS SET



P-8

Item	CODE	DESCRIPTION	Qty.	Item	CODE	DESCRIPTION	Qty.
00	525857	Disks set	1				
01	114686	Disk 10	1				
01A	202259	Disk no. 8 (citrus spray gun)	1				
01B	202267	Disk no. 6 (citrus spray gun)	1				
01C	202275	Disk no. 5 (citrus spray gun)	1				
01D	622811	Disk no. 7 (citrus spray gun)	1				
01E	622829	Disk 9	1				
01F	622837	Disk 11	1				

Controlled copy – Distribution and reproduction prohibited

STICKER - "ANTI-FREEZING TEST OK"

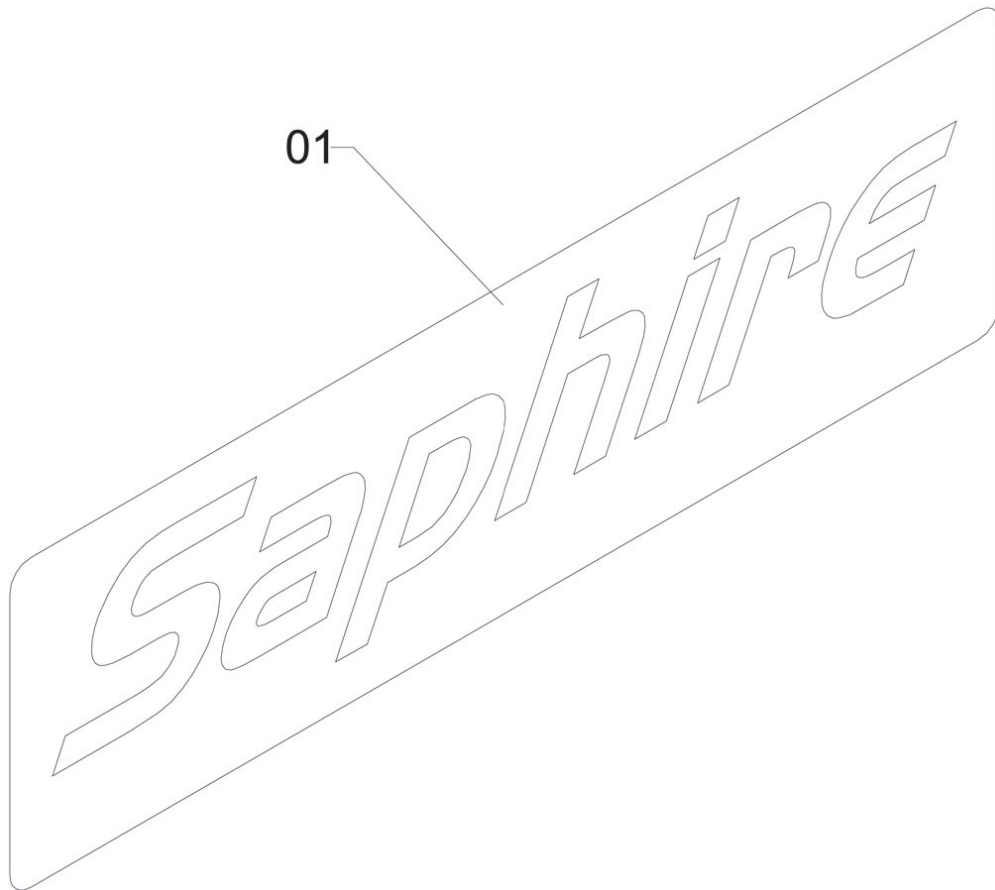


ADS-99

Item	CODE	DESCRIPTION	Qty.	Item	CODE	DESCRIPTION	Qty.
00	1152793	Sticker - "Anti-freezing test OK"	1				
01	1152793	Sticker - "Anti-freezing test OK"	1				

Controlled copy – Distribution and reproduction prohibited

STICKER (NAME - SAPHIRE)



ADS-149

Item	CODE	DESCRIPTION	Qty.
00	1180073	Sticker (Name - SAPHIRE)	1
01	1180073	Sticker (Name - SAPHIRE)	2

Item	CODE	DESCRIPTION	Qty.

Controlled copy – Distribution and reproduction prohibited

STICKER: DRAWBAR ADJUSTMENT (SPANISH)

01



CUIDADO

**REGULACIÓN DE LA BARRA DE TRACCIÓN
EN RELACIÓN CON LA TOMA DE FUERZA**



MONTAJE IDEAL: Distancia A=B o lo más próximo posible. Ej.: Si A=40cm, B=35 o 45cm.
 Cardán Homocinético: Montaje B: lo menor posible (Barra de tracción recogida "D");
 Montaje A: lo mayor posible (pieza C toda montada hacia fuerza).



Holgura necesaria después de la regulación de la barra de tracción (cortar el macho, la hembra y la tapa protectora proporcionalmente).

SI SU EQUIPO NO CUENTA CON CARDÁN HOMOCINÉTICO, DESCONECTE LA TOMA DE FUERZA AL HACER MANIOBRAS O CURVAS.

ADS-141

Item	CODE	DESCRIPTION	Qty.	Item	CODE	DESCRIPTION	Qty.
00	219717	Sticker: Drawbar adjustment (Spanish)	1				
01	219717	Sticker: Drawbar adjustment (Spanish)	1				

STICKER: DRAWBAR ADJUSTMENT (PORTUGUE)

01

! CUIDADO

REGULAGEM DO PONTO DE ENGATE DO TRATOR EM RELAÇÃO A TOMADA DE FORÇA.

Montagem ideal, distância $A=B$ ou mais próxima possível.
 Ex.: Se $A=40\text{cm}$, $B=35$ a 45cm .
 Cardan Homocinético: Montagem B: menor possível (Barra de tração recolhida "D");
 Montagem A: maior possível (peça C toda montada para fora).

Folga necessária após a regulagem da barra de tração (cortar o macho, a fêmea e a capa protetora proporcionalmente).

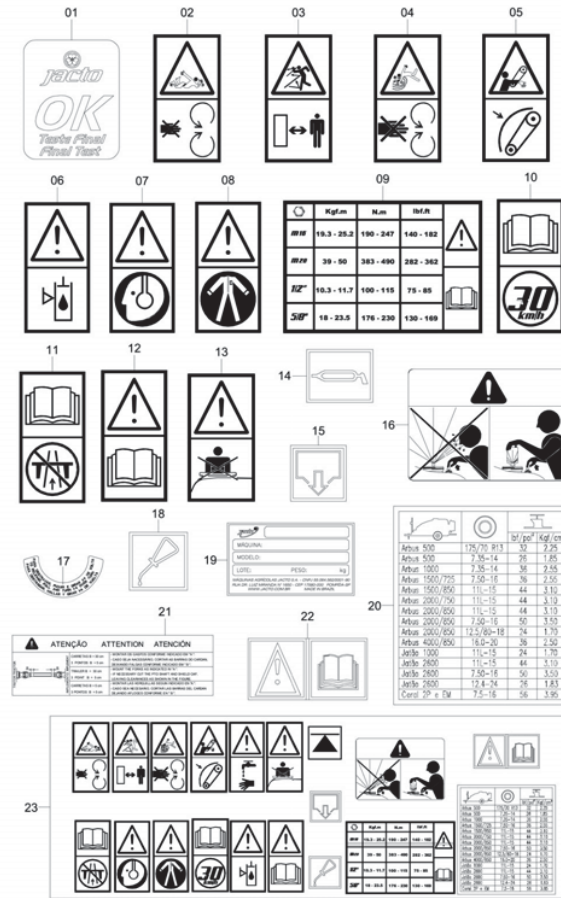
CASO SUA MÁQUINA NÃO ESTEJA EQUIPADA COM CARDAN HOMOCINÉTICO, DESLIGUE A TOMADA DE FORÇA AO FAZER MANOBRAS OU CURVAS.

ADS-139

Item	CODE	DESCRIPTION	Qty.	Item	CODE	DESCRIPTION	Qty.
00	728113	Sticker: Drawbar adjustment (Portugue)	1				
01	728113	Sticker: Drawbar adjustment (Portugue)	1				

Controlled copy – Distribution and reproduction prohibited

STICKER: (ARBUS 2000)

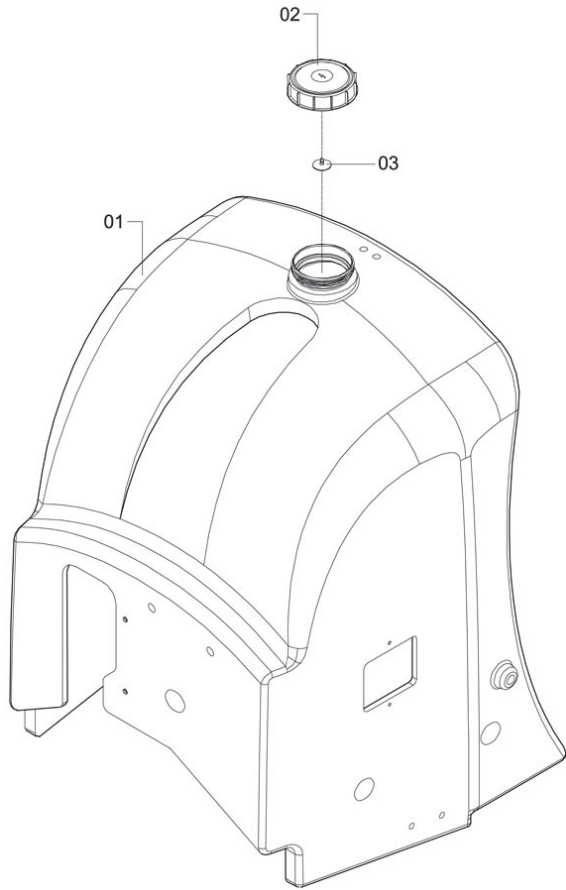


ADS-131

Item	CODE	DESCRIPTION	Qty.	Item	CODE	DESCRIPTION	Qty.
00	474858	Sticker: (Arbus 2000)	1				
01	013169	Sticker - "FINAL TEST OK"	1				
02	379008	Decal "Danger - PTO Shaft"	1				
03	379040	Decal (Attention: Keep away)	1				
04	379057	Sticker: "Keep at a Distance - Fan"	1				
05	379065	Decal "Keep all protection devices in their places."	1				
06	379107	Sticker: "Hydraulic Oil Level"	1				
07	379123	Decal "Obligatory use of the hearing protector."	1				
08	379131	Decal "Obligatory use of protective clothing."	1				
09	379164	Sticker: "Nut Torque"	2				
10	379214	Sticker: "Maximum Speed 30 KM/H"	1				
11	379222	Decal "Attention: This machined is not allowed in highways."	1				
12	379248	Sticker: "Read Manual" Vertical	1				
13	380014	Decal (Attention: do not get into the main tank of the sprayer)	1				
14	276220	Sticker: "Lubrication Point Indication"	4				
15	389387	Sticker: "Drain Indication"	1				
16	169128	Sticker: "Chemical container rinse nozzle"	1				
17	018705	Sticker: "Fan lock instructions"	1				
18	395061	Sticker: "Lubrication Point Indication - Oil"	1				
19	983932	Identification plate	1				
20	391631	Sticker: "Tire Pressure Indication"	2				
21	428631	Sticker: Pto shaft instructions	1				
22	379230	Sticker: "Read Manual" Horizontal	2				
23	906008	Sticker (Trailer Arbus line)	1				

Controlled copy – Distribution and reproduction prohibited

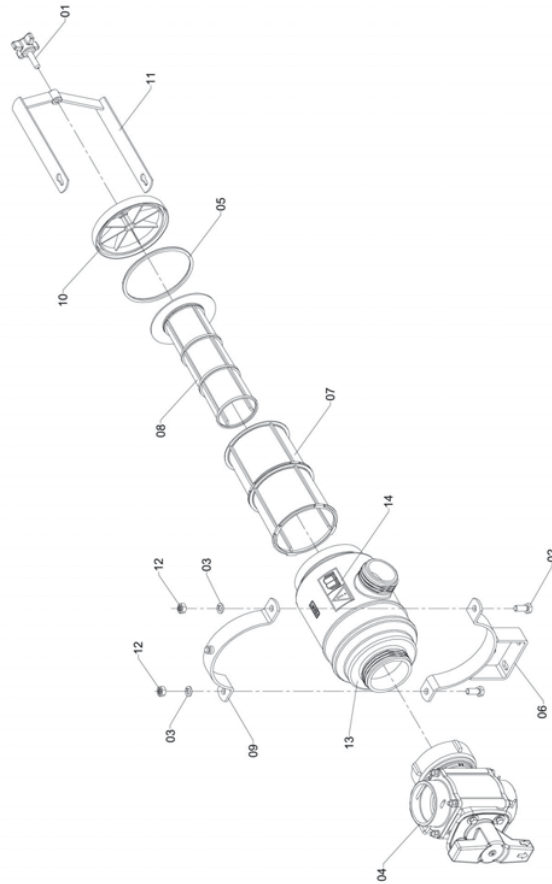
HOOD WITH 90-LITER TANK AND COVER



C-392

Item	CODE	DESCRIPTION	Qty.	Item	CODE	DESCRIPTION	Qty.
00	268755	Hood with 90-liter tank and cover	1				
01	248153	Hood with 90-liter tank	1				
02	762856	Cover ш 130	1				
03	560573	Diaphragm	1				

SUCTION FILTER WITH VALVE 200 L/MIN

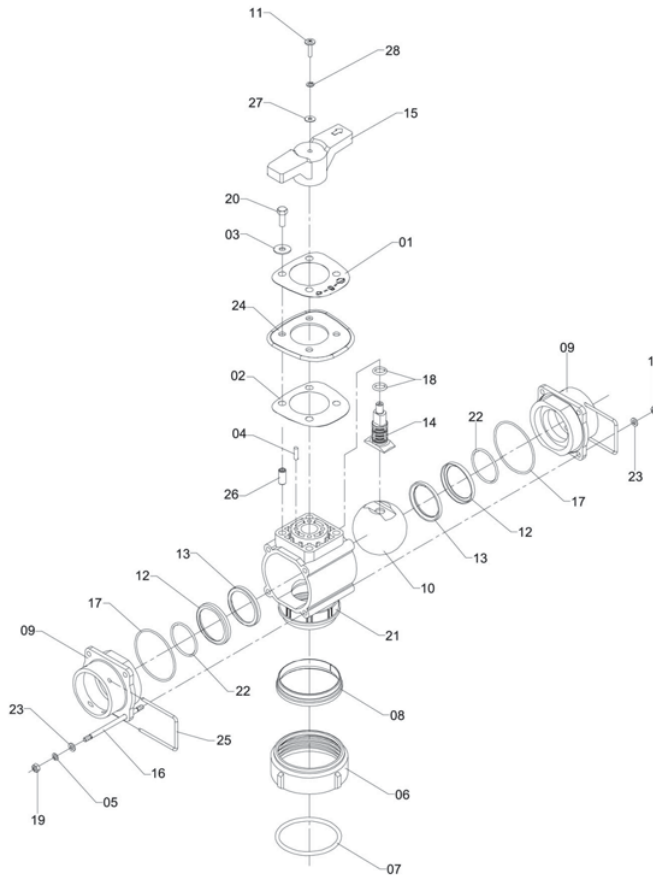


F-30

Item	CODE	DESCRIPTION	Qty.	Item	CODE	DESCRIPTION	Qty.
00	279844	Suction filter with valve 200 L/min	1				
01	011734	Bolt with knob	1				
02	168070	Hex. head bolt M 10 x 25 x 1,25	2				
03	209395	Lock washer M10	2				
04	287953	3-way valve - Model B	1				
05	472597	Packing ring \varnothing 136	1				
06	732115	Half-strap with support	1				
07	817346	Double filtering element 430	1				
08	817353	Triple filtering element 820 with flange	1				
09	817379	Suction filter half-strap	1				
10	817395	Cover with seat	1				
11	817403	Handle	1				
12	907030	Hex. nut M10 x 1.25	2				
13	941336	Suction filter body	1				
14	379230	Sticker: "Read Manual" Horizontal	1				

Controlled copy – Distribution and reproduction prohibited

3-WAY VALVE - MODEL B

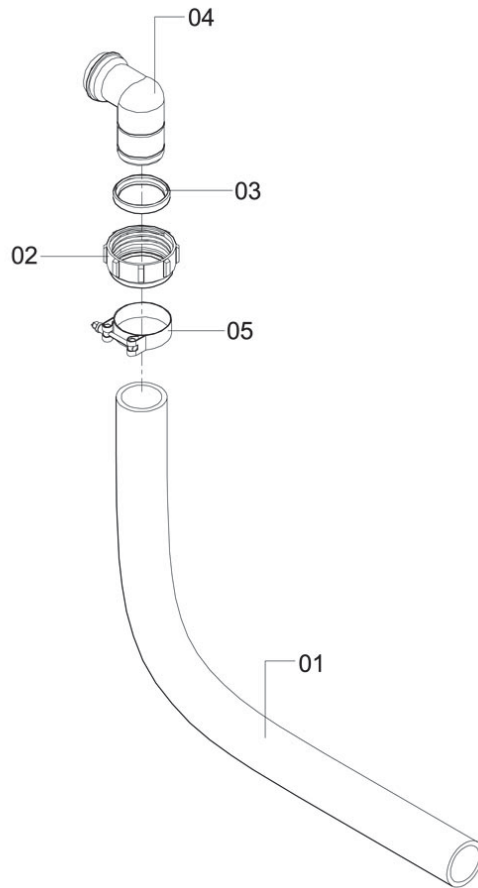


CV-244

Item	CODE	DESCRIPTION	Qty.	Item	CODE	DESCRIPTION	Qty.
00	287953	3-way valve - Model B	1				
01	378786	Sticker: "Valve Operation" (Right)	1				
02	378794	Sticker: "Valve Operation" (Left)	1				
03	413468	Flat washer $\text{Ш}6,8 \times \text{Ш}18 \times 1,2$	4				
04	048132	Stop pin	2				
05	521666	Lock washer M6	4				
06	534453	Union nut	1				
07	592709	Packing ring OR1-233	1				
08	593673	Lock ring	1				
09	065912	Valve Flange	2				
10	065953	Ball - 3-way	1				
11	281790	Self-tapping screw $\text{ш} 4 \times 20$	1				
12	065995	Seal seat	2				
13	066001	Seat guide	2				
14	066027	Core dragging rod	1				
15	066035	Level	1				
16	066076	Stud bolt M6 x 120 x 1,00 - Inox	4				
17	737759	O-ring OR1-151	2				
18	763649	Packing ring "O-ring" OR1-115	2				
19	810689	Hex. nut M6 x 1.00	8				
20	829507	Hex. head bolt M6 x 16 x 1.00	4				
21	287540	3-way Valve Body - Assembly	1				
22	096032	Packing ring $\text{ш} 60,8 \times 50,2$	2				
23	358267	Flat washer $64 \times 125 \times 16$	8				
24	378778	Stickers holder	1				
25	970103	Lock 56	2				
26	095794	Insert M6 x 14	4				
27	762088	Flat washer $37 \times 110 \times 8$	1				
28	520700	Lock washer M4	1				

Controlled copy – Distribution and reproduction prohibited

HOSE - PUMP / FILTER



CD-717

Item	CODE	DESCRIPTION	Qty.
00	283846	Hose - Pump / Filter	1
01	095885	Hose SAE 100 R4 - 32 x 560	1
02	005900	Coupling nut filter	1
03	005918	Locking ring	1
04	725135	Curve hose fitting 2" x 90°	1
05	787309	Clamp 5765	1

Item	CODE	DESCRIPTION	Qty.