

Arbus 200

English version

EDITION - 10/2015

CODE - 0

Parts catalog



MEQUINAS AGRICOLAS JACTO S.A.

Rua Dr. Luiz Miranda, 1650

17580-000 - Pompéia - SP - Brasil

Tel.: +55 14 3405-2100 - Fax: +55 14 3452 1306

[E-mail: export@jacto.com.br](mailto:export@jacto.com.br)

Home page: <http://www.jacto.com.br>

ARBUS 200

EQUIPMENT	PAGE
Arbus 200.....	4

Arbus 200

(Edition: 2015/10)

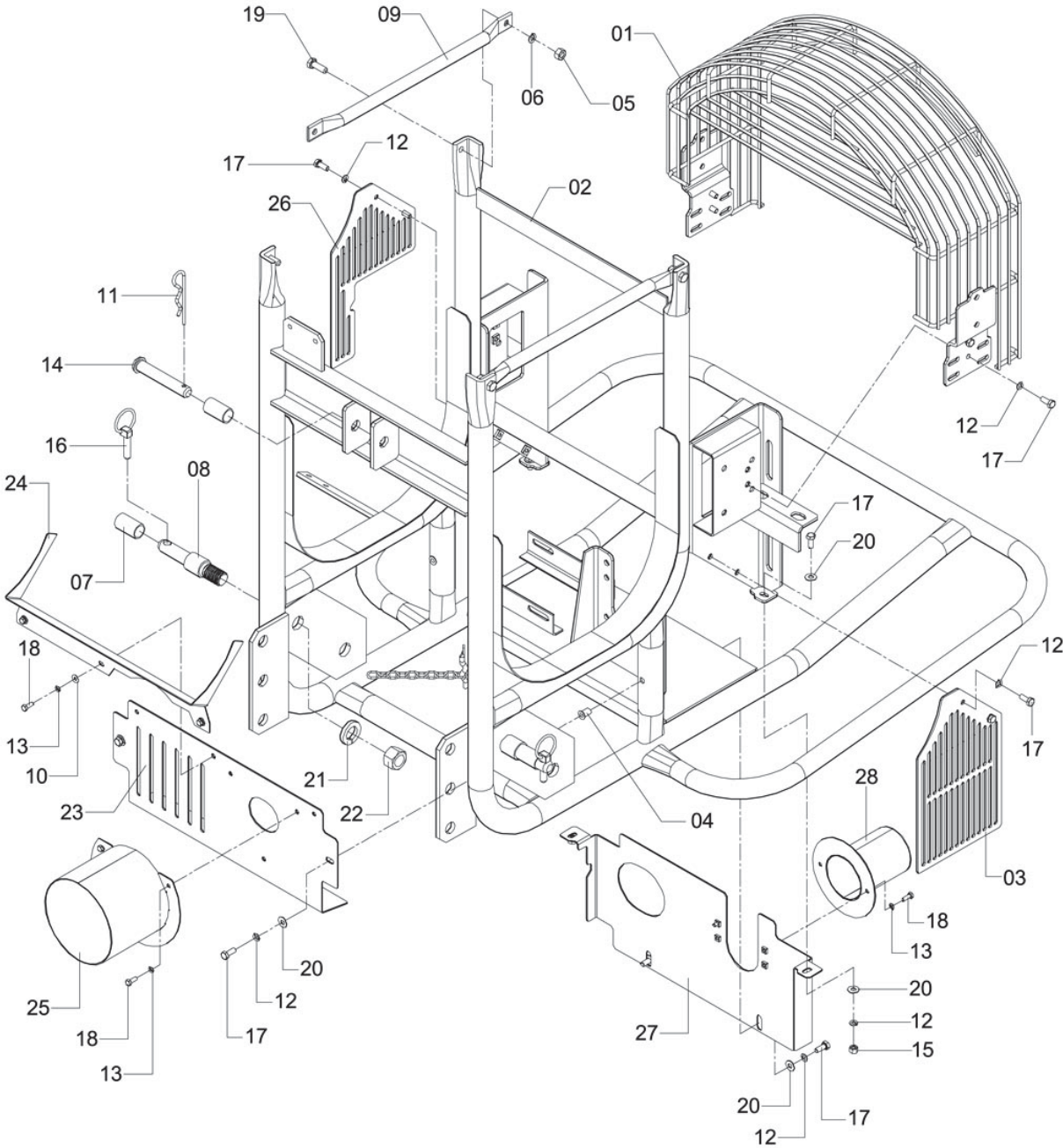
ENTIRE ASSEMBLIES	PAGE
ACCESSORIES BOX	
ACCESSORIES BOX	30
ASSEMBLY - COMBINATION WRENCH + SCREW WRENCH (FOR EXPORT)	66
FILLER UNIT (40 L/MIN.) WITHOUT HOSE	28
FILLER UNIT FOR 40 L/MIN WITH 10-M HOSE	63
FILLER UNIT FOR 40 L/MIN WITH 5-M HOSE	67
HOSE (1.1/4") X 1000	65
HOSE Ш 9,60 (3/8") X 1000	64
HOSE Ш 9,60 (3/8") X 5000	68
CHEMICAL CIRCUIT AND COMPLEMENTS	
200-LITER TANK	46
CHEMICAL CIRCUIT (1100 RPM)	26
CHEMICAL CIRCUIT (540 RPM)	20
CHEMICAL CONTAINER RINSE NOZZLE	59
CHEMICAL CONTAINER RINSE NOZZLE ROD	60
CONTAINER RINSE NOZZLE NR 8	55
DIRECTIONAL VALVE 2 L/MIN.	58
HOSE - CONTROL / LEFT NOZZLE BRANCH	57
HOSE - CONTROL / RIGHT NOZZLE BRANCH	49
HOSE - FILTER / PUMP	52
HOSE - PUMP / CONTROL	48
HOSE - RETURN CONTROL / AGITATOR	50
HOSE - RETURN CONTROL / PACKAGING WASHER	51
HOSE - TANK/FILTER	47
HYDRAULIC AGITATOR	56
JACTO CONTROL 42L/MIN. MODEL "A"	53
LID WITH BREATHER	54
PISTON ASSEMBLY	44
PRESSURE REGULATOR	24
PUMP JP-42	18
PUMP VALVE Ш 18	45
SUCTION FILTER - FVS-100	22
VALVE - CHEMICAL CONTAINER RINSE NOZZLE	61
OPTIONAL ITEMS	
DISKS SET	82
GUN KIT WITH 12-M HOSE AND QUICK FITTING	80
SPRAY GUN FOR CITRUS	81
PTO SHAFT Y COMPLEMENTS	
CONVENTIONAL PTO SHAFT 610 S 102 - Z= 6 X Ш 30	62
SPRAY APPLICATION ASSEMBLY	
12-NOZZLE BRANCHES ASSEMBLY	16
APPLICATION ASSEMBLY	12
APPLICATION ASSEMBLY	8
APPLICATION ASSEMBLY (TOWER)	14
DEFLECTOR	38
DEFLECTOR AND COMPLEMENTS	10
DOUBLE NOZZLE HOLDER "II" WITHOUT NOZZLES	36
HOSE - HITCH / NOZZLE BRANCH	37
HOSE Ш 1/2" X 400 WITH QUICK FITTING	40
LEF BRANCH COMPLETO (8 NOZZLE)	42
LEFT BRANCH ASSEMBLY	41
RIGHT BRANCH ASSEMBLY (8 NOZZLE)	39
RIGHT BRANCH COMPLETO (8 NOZZLE)	43
STICKERS	
DECAL (ARBUS 200)	32
STICKER (BE CAREFUL WHEN OPENING THE TANK LID)	83
STICKER (HAZARDOUS SUBSTANCES)	84
TRAILER AND COMPLEMENTS	
CHASSIS AND COMPLEMENTS	6
COMPLEMENTS	34
SIDE GUARD ASSEMBLY	35

Arbus 200
(Edition: 2015/10)

Continuation

ENTIRE ASSEMBLIES	PAGE
TRANSMISSION AND COMPLEMENTS	77
ANTIFRICTION BEARING NO.24	79
BEARING BRACKET NO. 22	69
DRIVE TRANSMISSION - 1100 RPM	75
DRIVE TRANSMISSION (540 RPM)	72
DRIVE TRANSMISSION AND COMPLEMENTS	74
DRIVE TRANSMISSION AND COMPLEMENTS	70
DRIVE TRANSMISSION AND COMPLEMENTS (1100 RPM)	76
DRIVEN TRANSMISSION AND COMPLEMENTS	78
DRIVEN TRANSMISSION AND COMPLEMENTS	71
GROOVED HUB WITH HITCH	73
MOTOR TRANSMISSION (540 RPM - HIGH FLOW)	

CHASSIS AND COMPLEMENTS



C3P-98

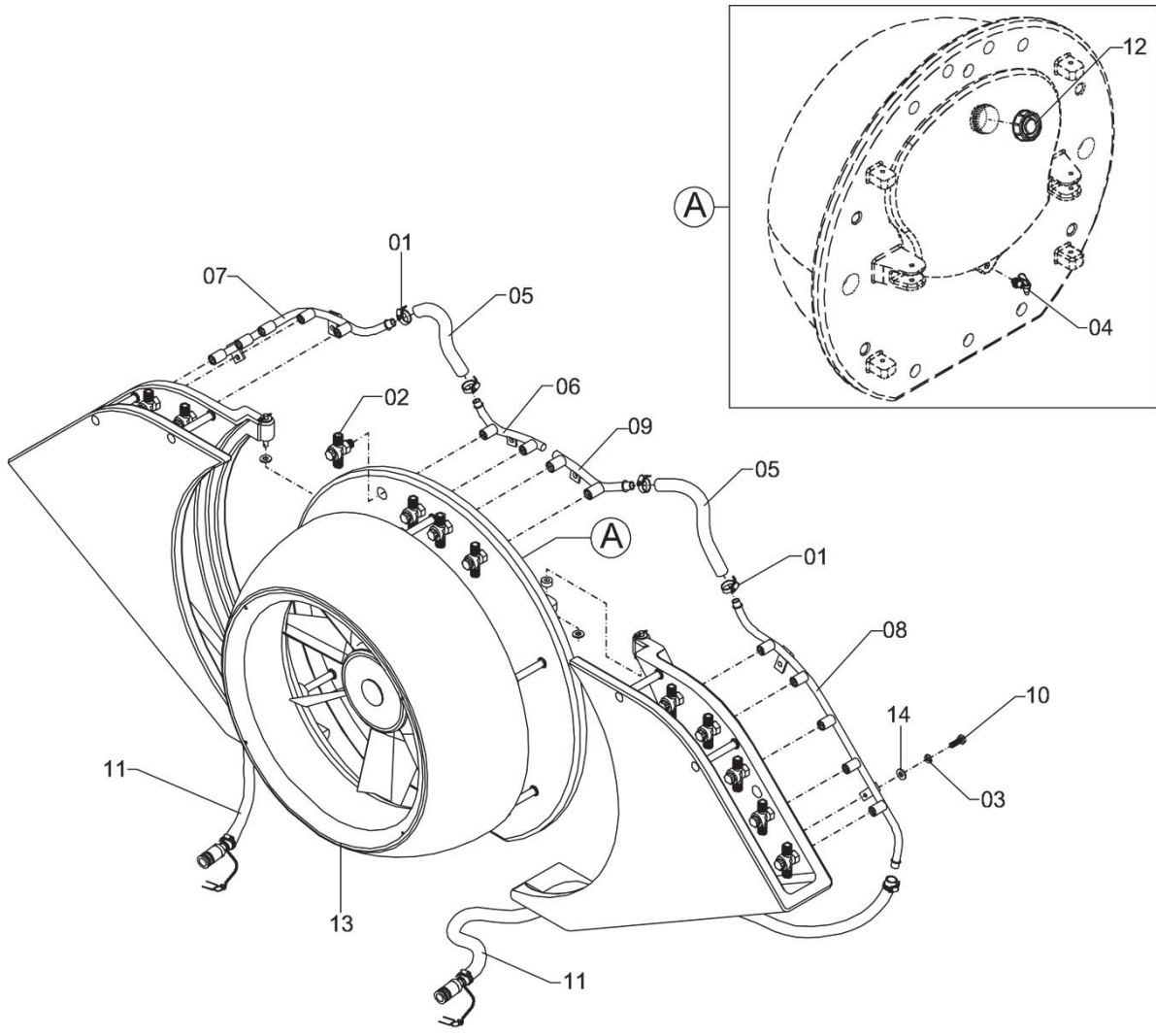
CHASSIS AND COMPLEMENTS

Continuation

Item	CODE	DESCRIPTION	Qty.	Item	CODE	DESCRIPTION	Qty.
00	142414	Chassis and complements	1				
01	083535	Guard screen	1				
02	097345	Chassis	1				
03	140699	Side guard screen	1				
04	182303	Tubular rivet with internal thread M8	2				
05	209205	Hex. nut M10 x 1,50	4				
06	209395	Lock washer M10	4				
07	400325	Lower coupling pin sleeve	3				
08	429027	Lower coupling pin w 22 x 1	2				
09	449991	Angle brace 450	2				
10	501460	Flat washer 65 x 150 x 12	3				
11	517409	Cotter pin 3/16"	1				
12	519736	Lock washer w	15				
13	521666	Lock washer w5 - stainless steel	8				
14	602912	Coupling pin 19 x 113	1				
15	810770	Hex. nut M8 x 1.25	2				
16	812636	Universal lock pin 7/16"	2				
17	829374	Hex. head bolt M8 x 20 x 1.25 -cl 8.8	14				
18	829507	Hex. head bolt M6 x 1 x 16 CL8.8	8				
19	829515	Hex. bolt M10 x 30 x 1.5	4				
20	881276	Flat washer w 8.7 x 20 x 1.2 - stainless steel	8				
21	910075	Lock washer 1"	2				
22	910430	Nut w 1" - 8 UNC	2				
23	1167988	Front protector	1				
24	1167990	Front protection complements	1				
25	1167997	PTO shaft guard	1				
26	1170266	Side guard screen - right	1				
27	1170267	Lower Rear Guard	1				
28	1169555	Protector	1				

Controlled copy – Distribution and reproduction prohibited

APPLICATION ASSEMBLY



CA-277

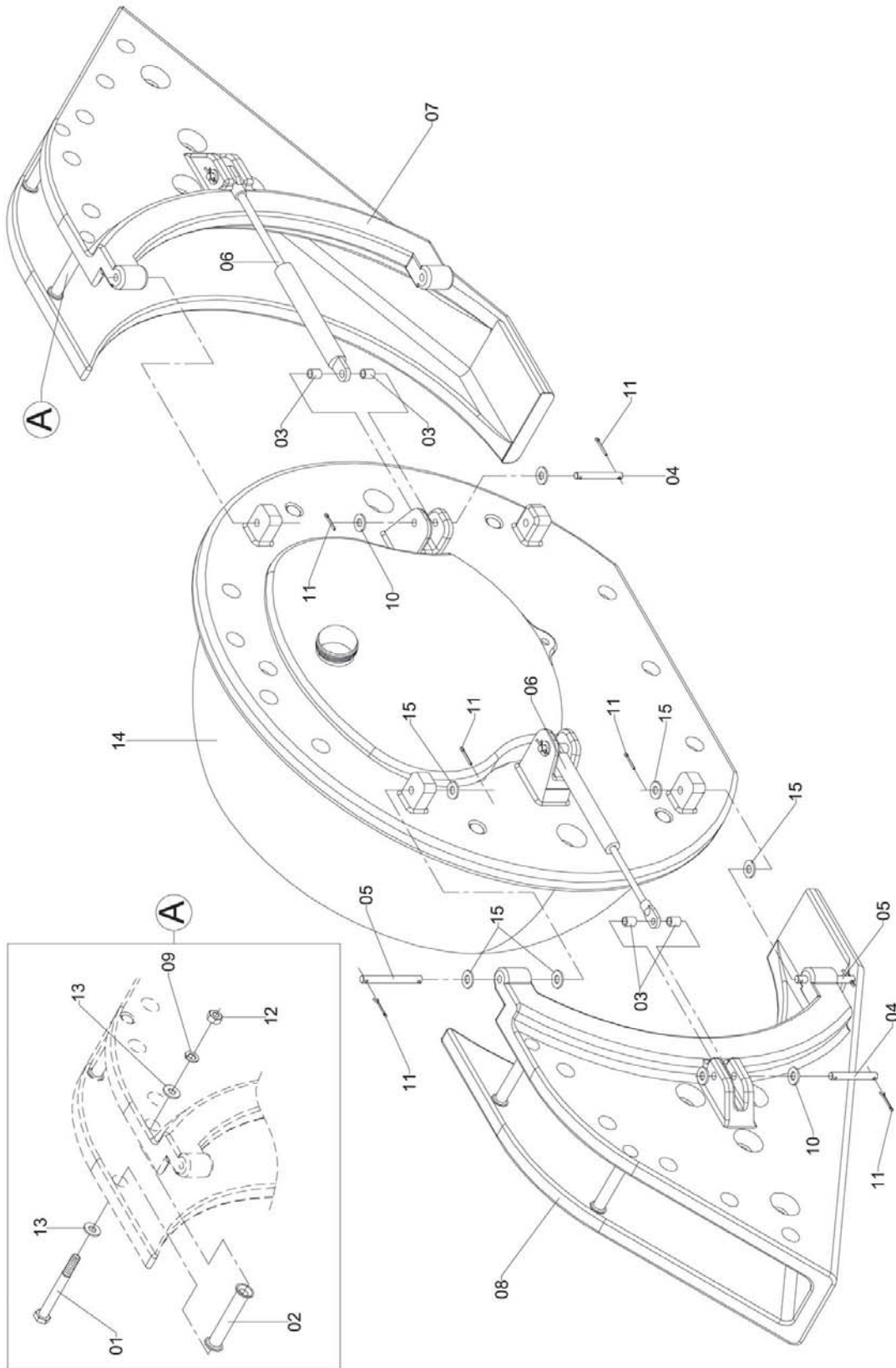
APPLICATION ASSEMBLY

Continuation

Item	CODE	DESCRIPTION	Qty.	Item	CODE	DESCRIPTION	Qty.
00	084129	Application assembly	1				
01	107664	Clamp D14-22 - stainless steel	4				
02	168963	Double nozzle holder "II" without nozzles	14				
03	209395	Lock washer M10	14				
04	044180	Plastic tap 23 x 3/8" BSP	1				
05	703678	Hose 1/2" x 230	2				
06	083485	Complementary nozzle branch - right	1				
07	086272	Deflector nozzle branch - right	1				
08	086280	Deflector nozzle branch - left	1				
09	086298	Complementary nozzle branch - left	1				
10	086405	Bolt M10 x 20 x 1.5	4				
11	896373	Hose - Hitch / Nozzle branch	2				
12	900761	Drain cap \varnothing 67	1				
13	168872	Deflector and Complements	1				
14	623884	Flat washer \varnothing 10.5 x 21 x 2 - stainless steel	4				

Controlled copy – Distribution and reproduction prohibited

DEFLECTOR AND COMPLEMENTS



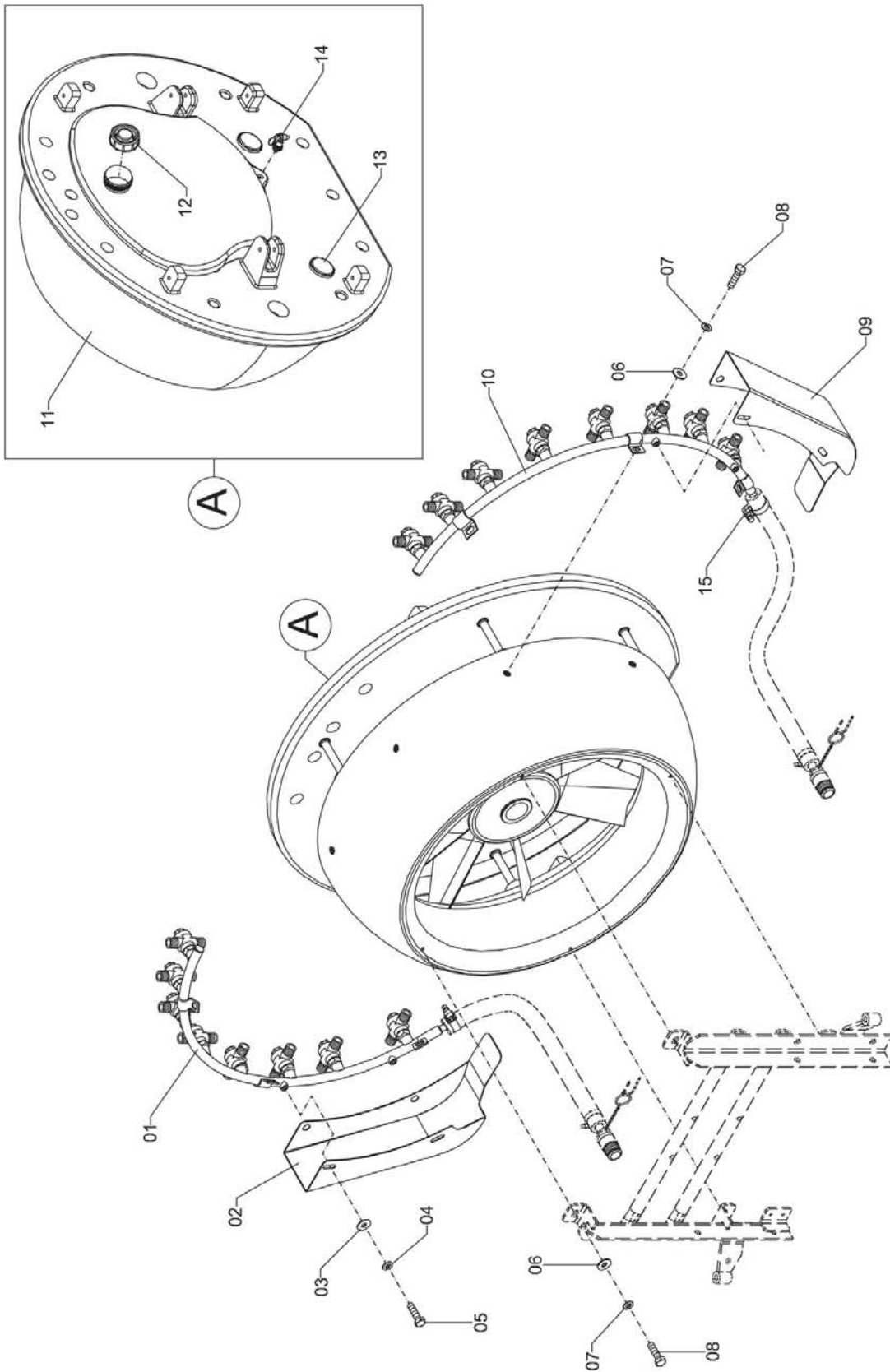
DF-169

DEFLECTOR AND COMPLEMENTS

Continuation

Item	CODE	DESCRIPTION	Qty.	Item	CODE	DESCRIPTION	Qty.
00	168872	Deflector and Complements	1				
01	222760	Hex bolt 3/8" - 16 UNC x 5"	4				
02	325050	Spacer bushing 95	4				
03	133165	Bushing 12.7 x 9	8				
04	084046	Pin 7.94 x 70	4				
05	084053	Pin 7.94 x 100	4				
06	086314	Gas spring	2				
07	087676	Grape deflector - right	1				
08	087684	Grape deflector - left	1				
09	908566	Lock washer 3/8"	4				
10	013433	Flat washer w 4.8 x 16 x 1.6 inox	12				
11	808451	Cotter pin w 2.38 x 19.05	16				
12	518761	Hex. nut w 3/8"	4				
13	973313	Flat washer w 10.5 x 21 x 2 - stainless steel	12				
14	169136	Deflector	1				
15	214353	Flat washer 130 x 300 x 19	12				

APPLICATION ASSEMBLY



CA-252

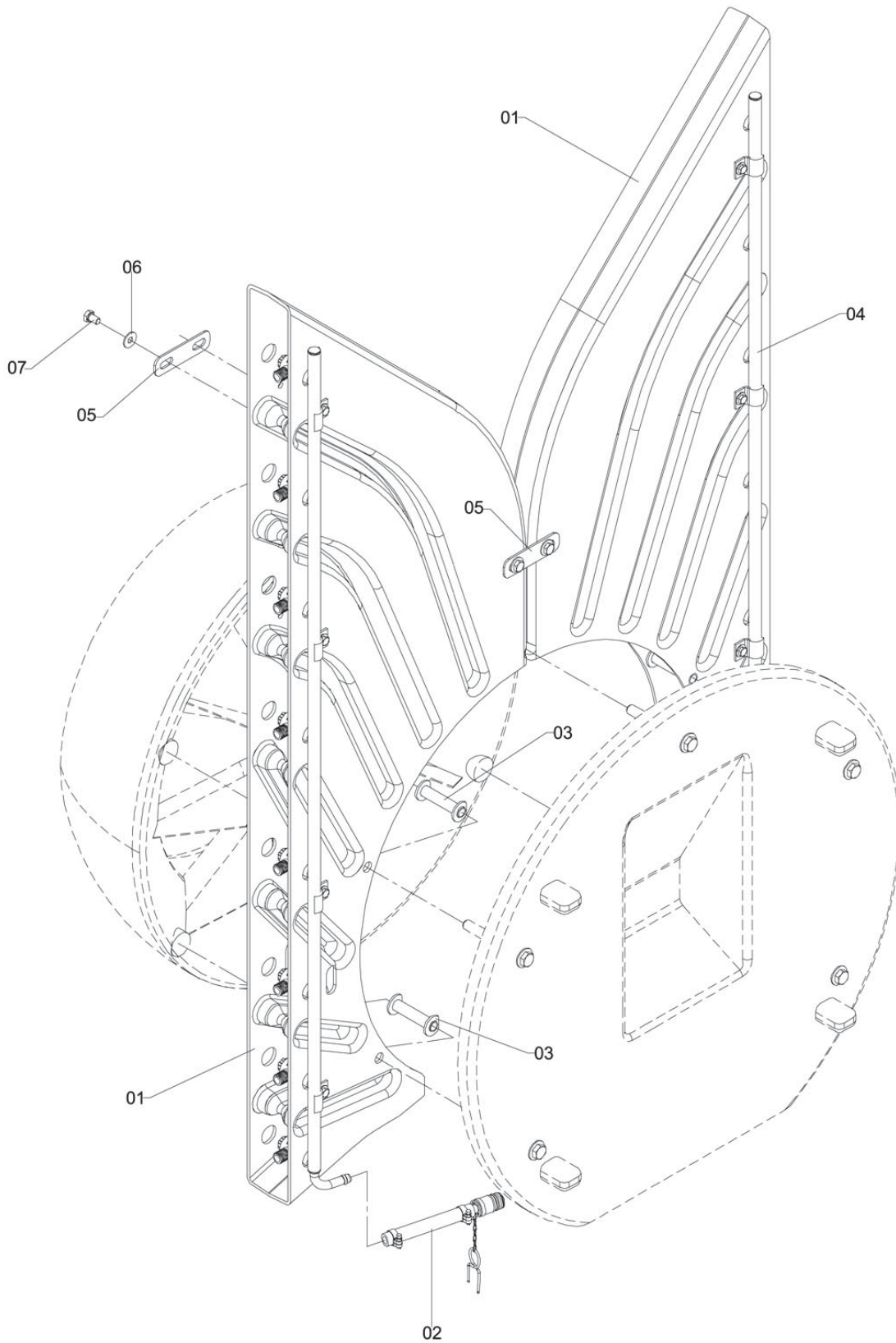
APPLICATION ASSEMBLY

Continuation

Item	CODE	DESCRIPTION	Qty.	Item	CODE	DESCRIPTION	Qty.
00	143164	Application assembly	1				
01	896365	Right branch assembly (8 nozzle)	1				
02	166454	Right deflector	1				
03	013433	Flat washer ϖ 4.8 x 16 x 1.6 inox	4				
04	519736	Lock washer ϖ	4				
05	033696	Hex. head bolt M8 x 12 x 1.25	4				
06	973313	Flat washer ϖ 10.5 x 21 x 2 - stainless steel	10				
07	209395	Lock washer M10	10				
08	086405	Bolt M10 x 20 x 1.5	10				
09	166462	Left deflector	1				
10	896357	Left branch assembly	1				
11	169136	Deflector	1				
12	900761	Drain cap ϖ 67	1				
13	097360	Reflector	2				
14	044180	Plastic tap 23 x 3/8" BSP	1				
15	107664	Clamp D14-22 - stainless steel	2				

Controlled copy – Distribution and reproduction prohibited

APPLICATION ASSEMBLY (TOWER)



CA-254

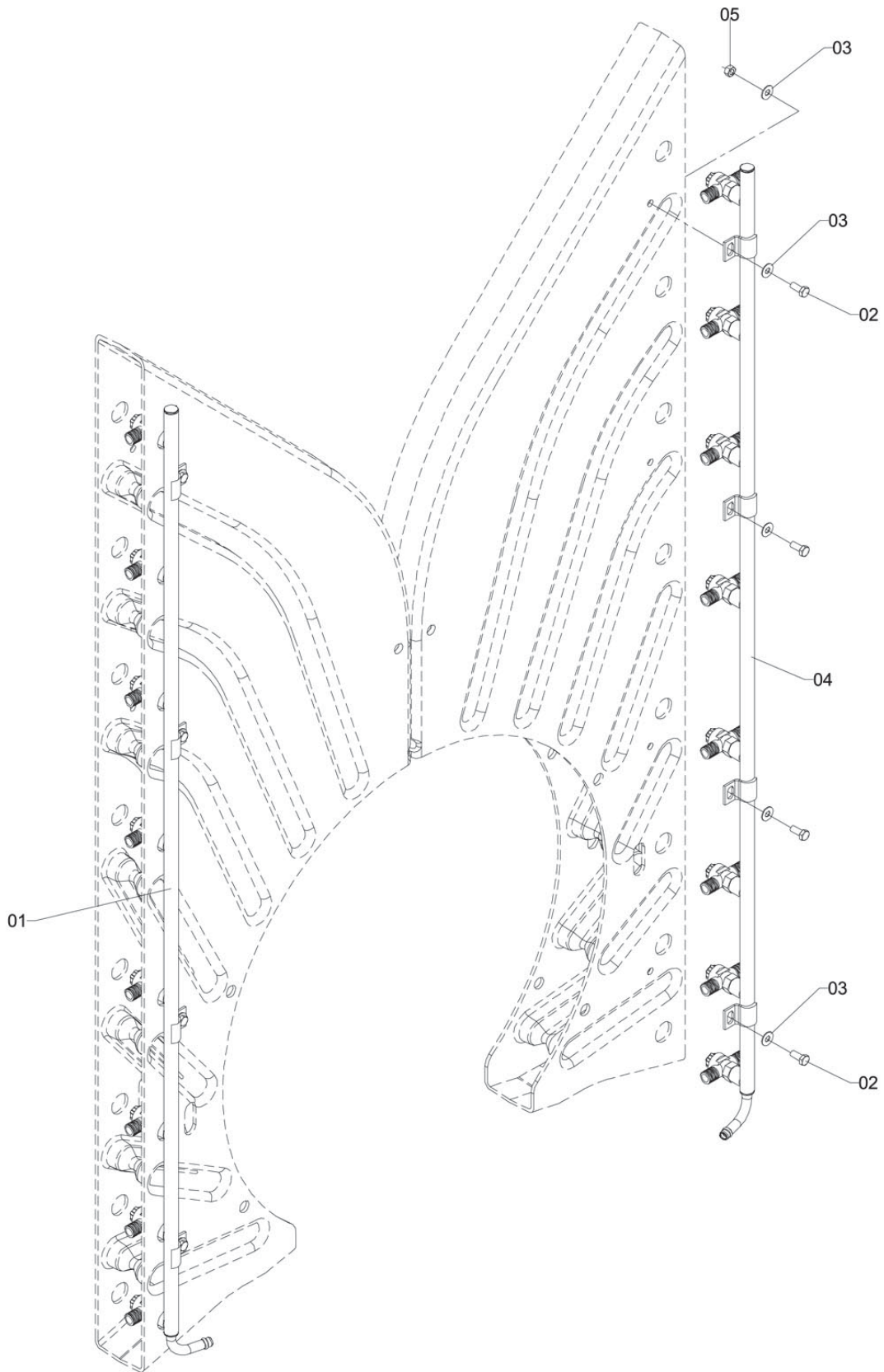
APPLICATION ASSEMBLY (TOWER)

Continuation

Item	CODE	DESCRIPTION	Qty.	Item	CODE	DESCRIPTION	Qty.
00	1197701	Application assembly (Tower)	1				
01	1196401	Deflector	2				
02	1162542	Hose ш 1/2" x 400 with quick fitting	2				
03	1196400	Deflector spacer - Tower	4				
04	1197673	12-nozzle branches assembly	1				
05	1198316	Union plate	2				
06	422436	Flat washer 104 x 254 x 19	4				
07	528232	Hexagonal head bolt M10 x 16 x 1.50	4				

Controlled copy – Distribution and reproduction prohibited

12-NOZZLE BRANCHES ASSEMBLY



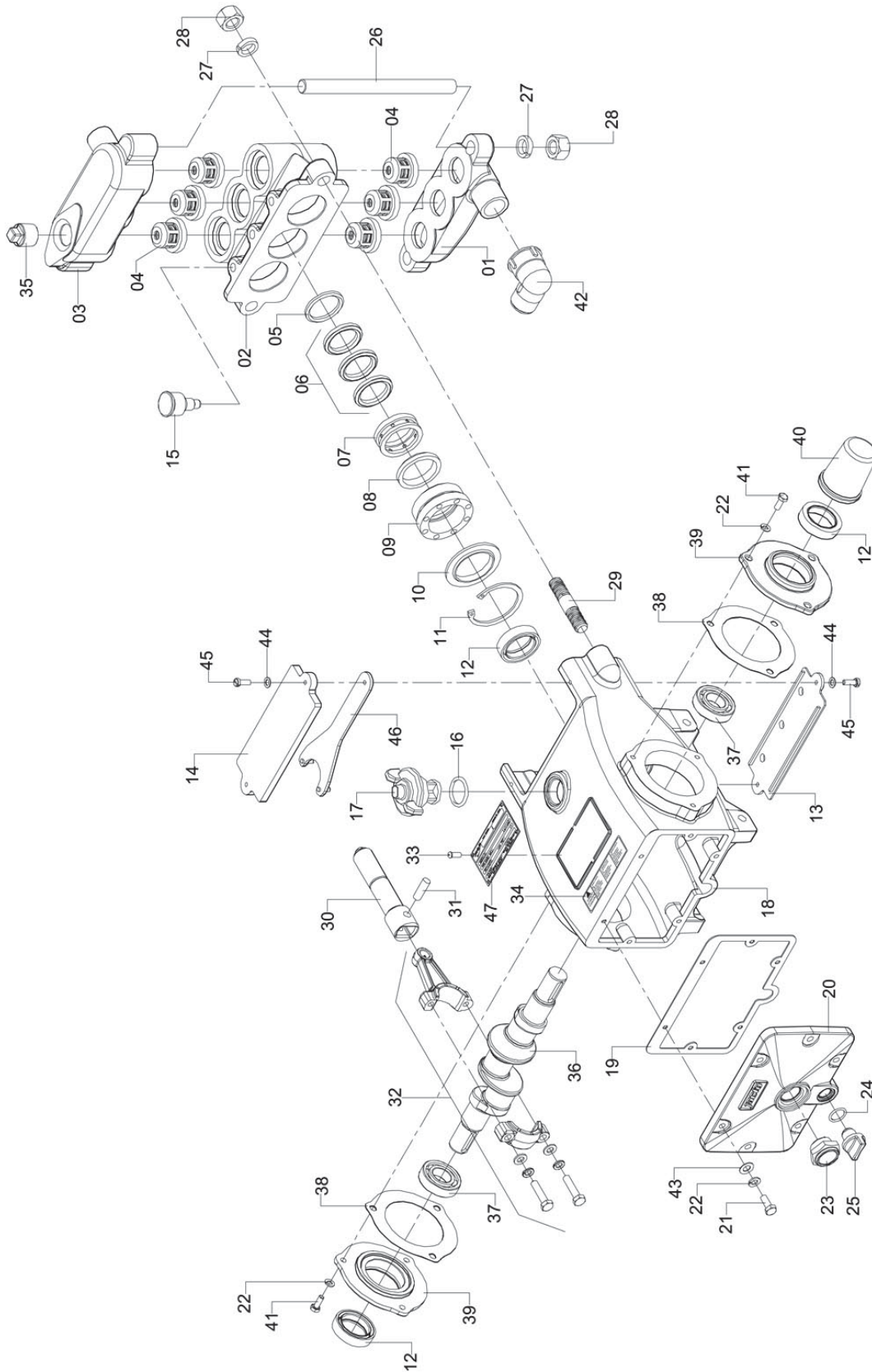
CA-255

12-NOZZLE BRANCHES ASSEMBLY

Continuation

Item	CODE	DESCRIPTION	Qty.	Item	CODE	DESCRIPTION	Qty.
00	1197673	12-nozzle branches assembly	1				
01	1197614	Lef branch completo (8 nozzle)	1				
02	924746	Hex head bolt M8 x 20 x 1.25 - stainless steel	8				
03	881276	Flat washer ω 8.7 x 20 x 1.2 - stainless steel	16				
04	1197606	Right branch completo (8 nozzle)	1				
05	221648	Nut M8 x 1.25 - stainless steel	8				

PUMP JP-42



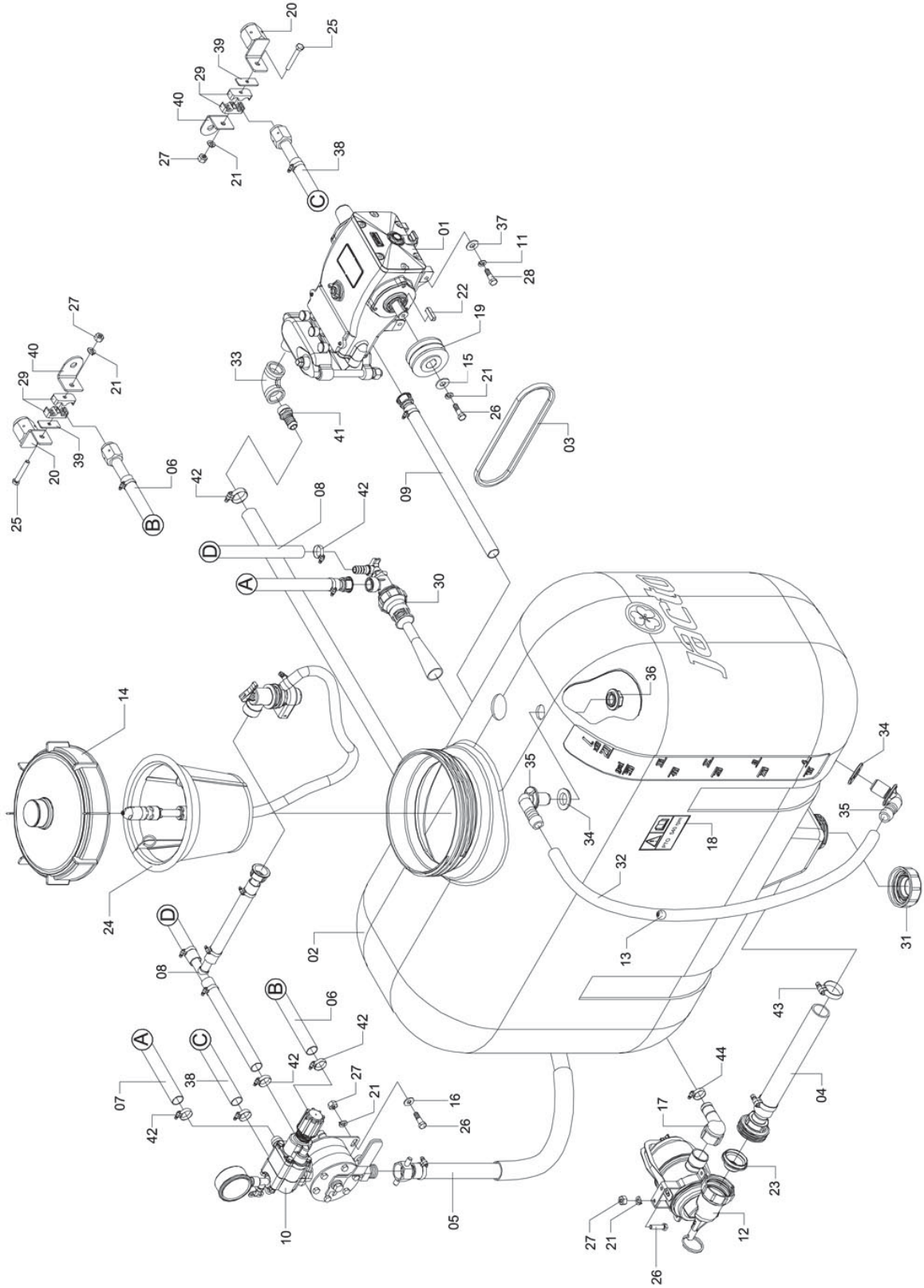
B-119

PUMP JP-42

Continuation

Item	CODE	DESCRIPTION	Qty.	Item	CODE	DESCRIPTION	Qty.
00	142455	Pump JP-42	1				
01	328427	Suction cover	1				
02	328468	Pump head	1				
03	954016	Pumping cover	1				
04	407825	Pump valve w 18	6				
05	328815	Seat ring	3				
06	328807	Gasket w 30 x 39	9				
07	328823	Compression ring	3				
08	516443	Scraper ring	3				
09	328831	Gasket adjuster	3				
10	328534	Deflector ring	3				
11	328476	Snap ring for hole w 42	3				
12	516450	Retainer	5				
13	328609	Lower dust guard	1				
14	328278	Upper dust guard	1				
15	328617	Grease nipple	3				
16	012724	O-ring ORI-119	1				
17	328542	Plug w 3/4" BSP	1				
18	944462	Pump body	1				
19	328526	Packing 104 x 160 x 1.59	1				
20	328583	Cover	1				
21	810697	Bolt M6 x 1 x 20 CL8.8	6				
22	521666	Lock washer w5 - stainless steel	12				
23	521351	Oil sight 1/2" BSP with packing ring	1				
24	325290	O-ring OR1-112	1				
25	520775	Drain plug 1/4" BSP	1				
26	328492	Stud bolt 1/2" UNC x 138 mm	2				
27	908582	Lock washer 1/2"	4				
28	326280	Nut w 1/2" UNC	4				
29	328484	Stud bolt 1/2" - 13 UNC x 62	2				
30	326983	Piston assembly	3				
31	328682	Connecting rod shaft	3				
32	328690	Connecting rod assembly	3				
33	109587	Round head rivet	2				
34	959957	Sticker: "Keep oil on level"	1				
35	812057	Plug w 1/2" BSP	1				
36	328732	Crankshaft	1				
37	328872	Fixed bearing	2				
38	944470	Packing 620 x 920 x 4	2				
39	944363	Flange	2				
40	328500	Crankshaft protector	1				
41	829507	Hex. head bolt M6 x 1 x 16 CL8.8	6				
42	902817	Male/female elbow w 1" BSP x 90°	1				
43	358267	Flat washer 64 x 125 x 16	6				
44	508515	Flat washer - w4.3 x w10.2 x 0.8 steel	4				
45	727669	Bolt M4 x 12	4				
46	520338	Gasket adjusting tool	1				
47	1159487	Identification plate "Engraved"	1				

CHEMICAL CIRCUIT (540 RPM)



CD-749

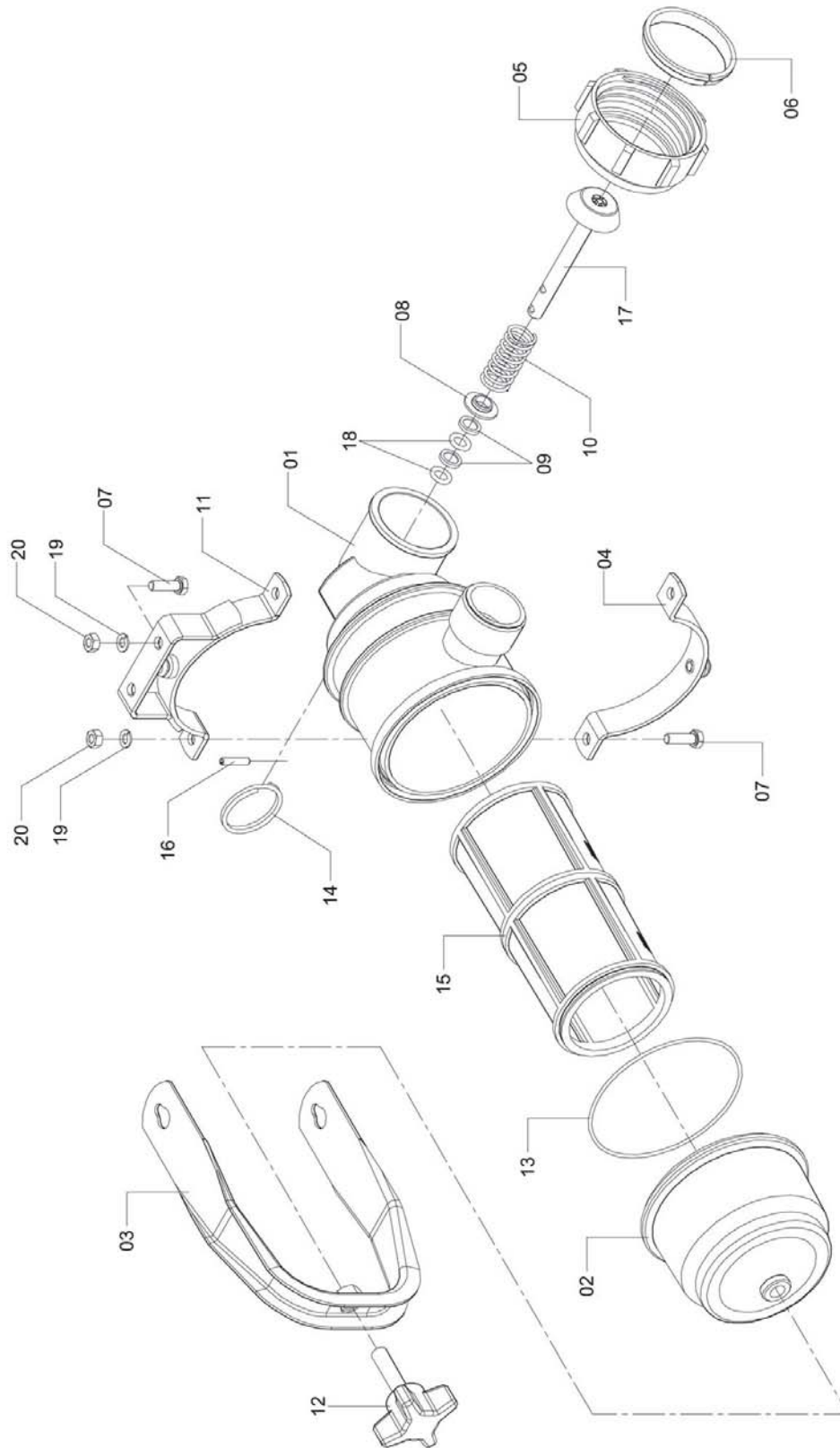
CHEMICAL CIRCUIT (540 RPM)

Continuation

Item	CODE	DESCRIPTION	Qty.	Item	CODE	DESCRIPTION	Qty.
00	142448	Chemical circuit (540 RPM)	1				
01	142455	Pump JP-42	1				
02	144048	200-liter tank	1				
03	150508	Trapeze belt A-29	2				
04	174391	Hose - Tank/Filter	1				
05	174409	Hose - Pump / Control	1				
06	174417	Hose - Control / Right nozzle branch	1				
07	174433	Hose - Return Control / Agitator	1				
08	174441	Hose - Return Control / Packaging Washer	1				
09	174466	Hose - Filter / Pump	1				
10	188102	Jacto Control 42L/min. Model "A"	1				
11	209395	Lock washer M10	4				
12	289827	Suction filter - FVS-100	1				
13	324764	Float w 14	1				
14	037374	Lid with breather	1				
15	420281	Flat washer W8,2 x W35 x 3	1				
16	013433	Flat washer w 4.8 x 16 x 1.6 inox	2				
17	428789	Elbow 90e - 1.1/4" BSP x w 1"	1				
18	449611	Sticker: " PTO 540 RPM"	1				
19	449876	Pulleu 90-2A x 25	1				
20	457291	Support	2				
21	519736	Lock washer w	7				
22	520296	Rectangular key	1				
23	005934	Valve seat	1				
24	136648	Container rinse nozzle NR 8	1				
25	715490	Hex. bolt M8 x 65	2				
26	829374	Hex. head bolt M8 x 20 x 1.25 -cl 8.8	5				
27	810770	Hex. nut M8 x 1.25	6				
28	829515	Hex. bolt M10 x 30 x 1.5	4				
29	732040	Semiclamp for tube 19"	4				
30	139584	Hydraulic agitator	1				
31	900761	Drain cap w 67	1				
32	906735	Hose 3/4" x 750	1				
33	908459	Elbow w 3/4" - 90e	1				
34	973024	Seal 36 x 21 x 6	2				
35	428730	Elbow 3/4" x 1/2" BSP -14 F.P.P.	2				
36	428748	Flanged nut 1/2" BSP -14 F.P.P.	2				
37	973313	Flat washer w 10.5 x 21 x 2 - stainless steel	4				
38	174425	Hose - Control / Left nozzle branch	1				
39	618405	Semiclamp plate 25 x 57	2				
41	011114	Hose fitting 3/4"	1				
42	107664	Clamp D14-22 - stainless steel	6				
43	330969	Clamp D25-38 - stainless steel	1				
44	423814	Clamp D22-32 - stainless steel	1				

Controlled copy – Distribution and reproduction prohibited

SUCTION FILTER - FVS-100



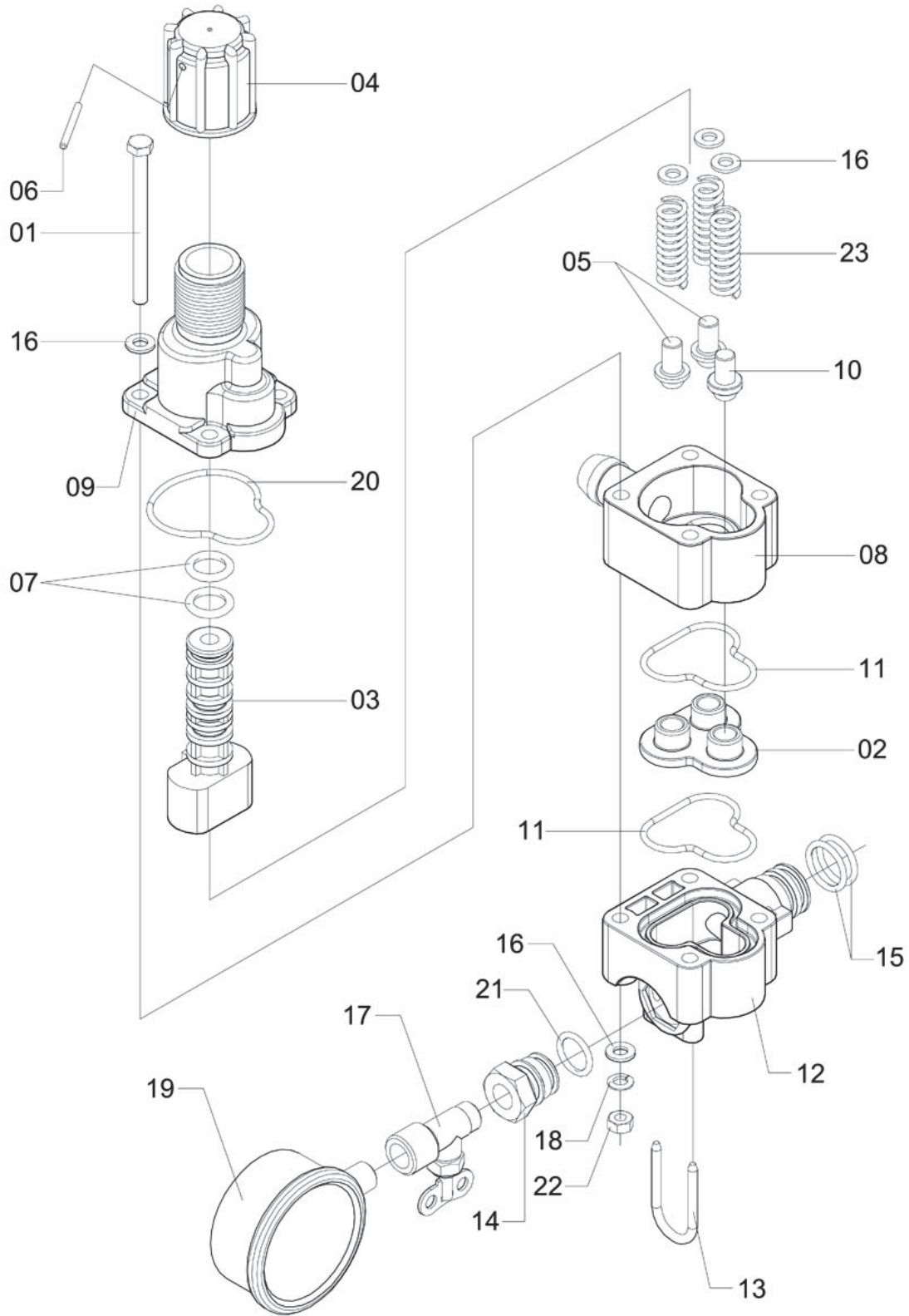
F-65

SUCTION FILTER - FVS-100

Continuation

Item	CODE	DESCRIPTION	Qty.	Item	CODE	DESCRIPTION	Qty.
00	289827	Suction filter - FVS-100	1				
01	005785	Filter body	1				
02	005793	Filter cover	1				
03	005827	Filter handle	1				
04	005850	Half-strap	1				
05	005900	Coupling nut filter	1				
06	005918	Locking ring	1				
07	810697	Bolt M6 x 1 x 20 CL8.8	4				
08	005967	Spring seat	1				
09	005975	Spacer washer	2				
10	006148	Compression spring	1				
11	010967	Half-strap with support	1				
12	011734	Bolt with knob	1				
13	012138	O-ring ORI - 241	1				
14	012146	Ring w 40	1				
15	012492	Double filtering element - mesh 60	1				
16	105288	Flexible pin 4 x 20 (heavy)	1				
17	110817	Valve	1				
18	416669	O-ring OR1-110	2				
19	521666	Lock washer w5 - stainless steel	4				
20	730309	Hex. nut M6 x 1.00 - Steel	4				

PRESSURE REGULATOR



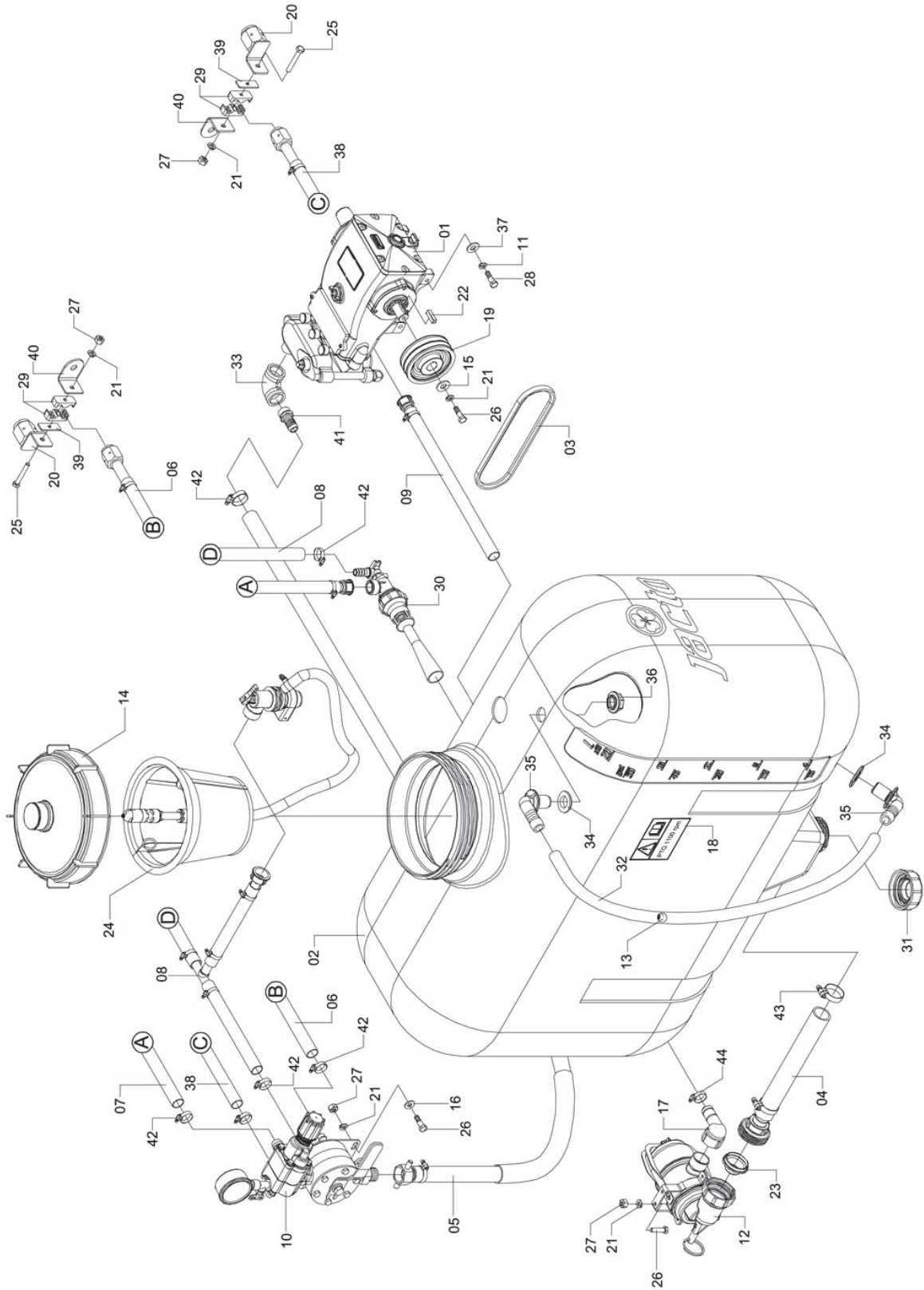
CV-334

PRESSURE REGULATOR

Continuation

Item	CODE	DESCRIPTION	Qty.	Item	CODE	DESCRIPTION	Qty.
00	348896	Pressure regulator	1				
01	049767	Bolt M6 x 80 x 1.00	4				
02	072231	Valve seat	1				
03	073551	Regulator rod	1				
04	073569	Handgrip	1				
05	073585	Cell	2				
06	073700	Handgrip pin	1				
07	099036	O-ring OR1-207	2				
08	146035	Intermediate block	1				
09	146043	Regulator cylinder	1				
10	148601	Patch with guide	1				
11	216200	O-ring ORI-132	2				
12	346197	Regulator body	1				
13	348789	Lock 22	1				
14	348862	Fitting ω 1/4" - 19 BSP	1				
15	358226	O-ring ORI - 116	2				
16	358267	Flat washer 64 x 125 x 16	11				
17	507319	Needle valve for pressure gauge	1				
18	521666	Lock washer ω 5 - stainless steel	4				
19	551945	Pressure gauge (0 to 40 kgf/cm ^l) (glycerin-filled)	1				
20	573154	O-ring OR1-136	1				
21	706796	O-ring OR1-114	1				
22	810689	Hex. nut M6 x 1 CL8	4				
23	941096	Compression spring 8.7 x 41	3				

CHEMICAL CIRCUIT (1100 RPM)



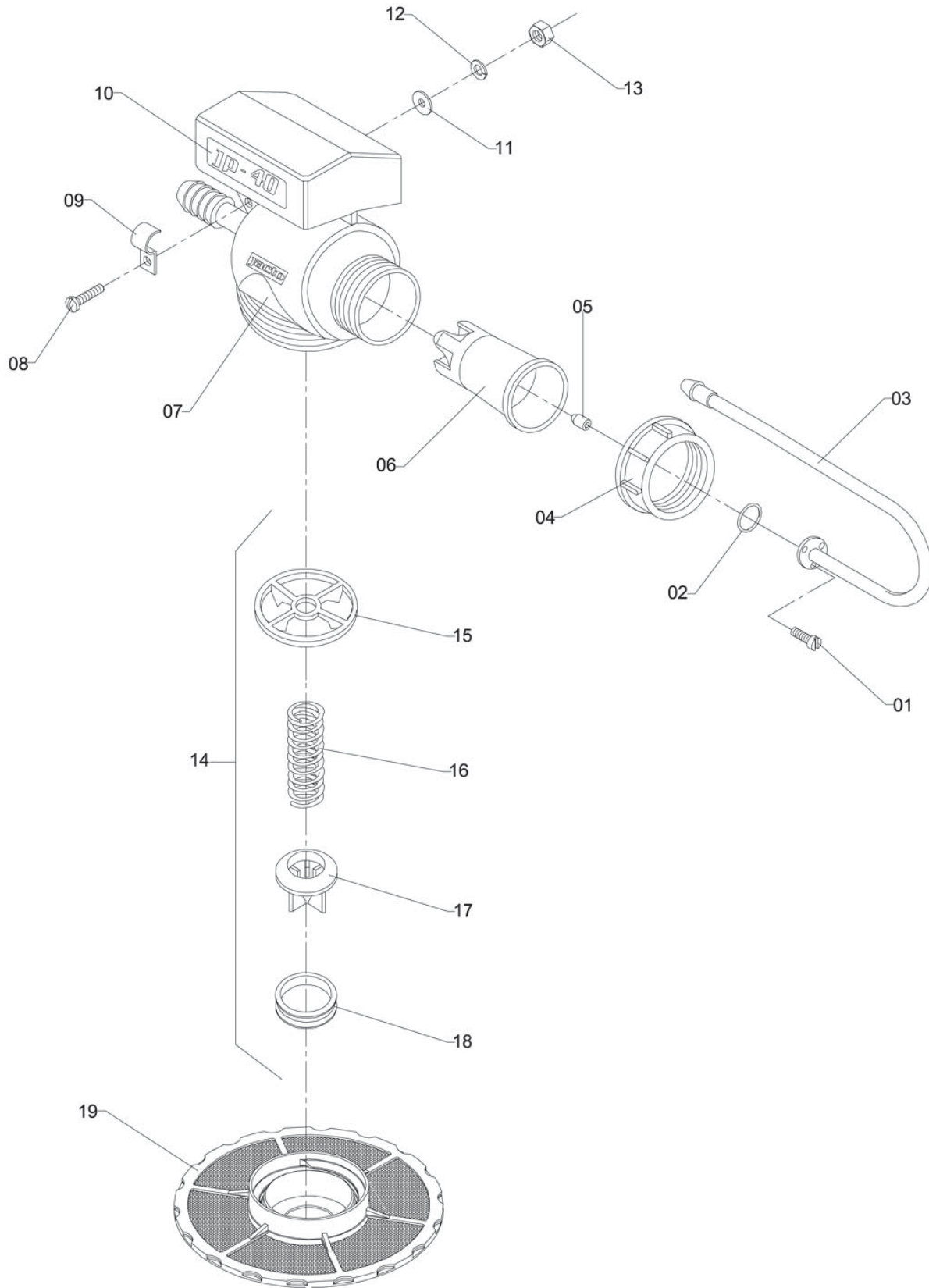
CD-748

CHEMICAL CIRCUIT (1100 RPM)

Continuation

Item	CODE	DESCRIPTION	Qty.	Item	CODE	DESCRIPTION	Qty.
00	150748	Chemical circuit (1100 RPM)	1				
01	142455	Pump JP-42	1				
02	144048	200-liter tank	1				
03	150508	Trapeze belt A-29	2				
04	174391	Hose - Tank/Filter	1				
05	174409	Hose - Pump / Control	1				
06	174417	Hose - Control / Right nozzle branch	1				
07	174433	Hose - Return Control / Agitator	1				
08	174441	Hose - Return Control / Packaging Washer	1				
09	174466	Hose - Filter / Pump	1				
10	188102	Jacto Control 42L/min. Model "A"	1				
11	209395	Lock washer M10	4				
12	289827	Suction filter - FVS-100	1				
13	324764	Float w 14	1				
14	037374	Lid with breather	1				
15	420281	Flat washer W8,2 x W35 x 3	1				
16	013433	Flat washer w 4.8 x 16 x 1.6 inox	2				
17	428789	Elbow 90e - 1.1/4" BSP x w 1"	1				
19	449884	Pulley 120-2A x 25	1				
20	457291	Support	2				
21	519736	Lock washer w	7				
22	520296	Rectangular key	1				
23	005934	Valve seat	1				
24	136648	Container rinse nozzle NR 8	1				
25	715490	Hex. bolt M8 x 65	2				
26	829374	Hex. head bolt M8 x 20 x 1.25 -cl 8.8	5				
27	810770	Hex. nut M8 x 1.25	6				
28	829515	Hex. bolt M10 x 30 x 1.5	4				
29	732040	Semiclump for tube 19"	4				
30	139584	Hydraulic agitator	1				
31	900761	Drain cap w 67	1				
32	906735	Hose 3/4" x 750	1				
33	908459	Elbow w 3/4" - 90e	1				
34	973024	Seal 36 x 21 x 6	2				
35	428730	Elbow 3/4" x 1/2" BSP -14 F.P.P.	2				
36	428748	Flanged nut 1/2" BSP -14 F.P.P.	2				
37	973313	Flat washer w 10.5 x 21 x 2 - stainless steel	4				
38	174425	Hose - Control / Left nozzle branch	1				
39	618405	Semiclump plate 25 x 57	2				
41	011114	Hose fitting 3/4"	1				
42	107664	Clamp D14-22 - stainless steel	6				
43	330969	Clamp D25-38 - stainless steel	1				
44	423814	Clamp D22-32 - stainless steel	1				

FILLER UNIT (40 L/MIN.) WITHOUT HOSE



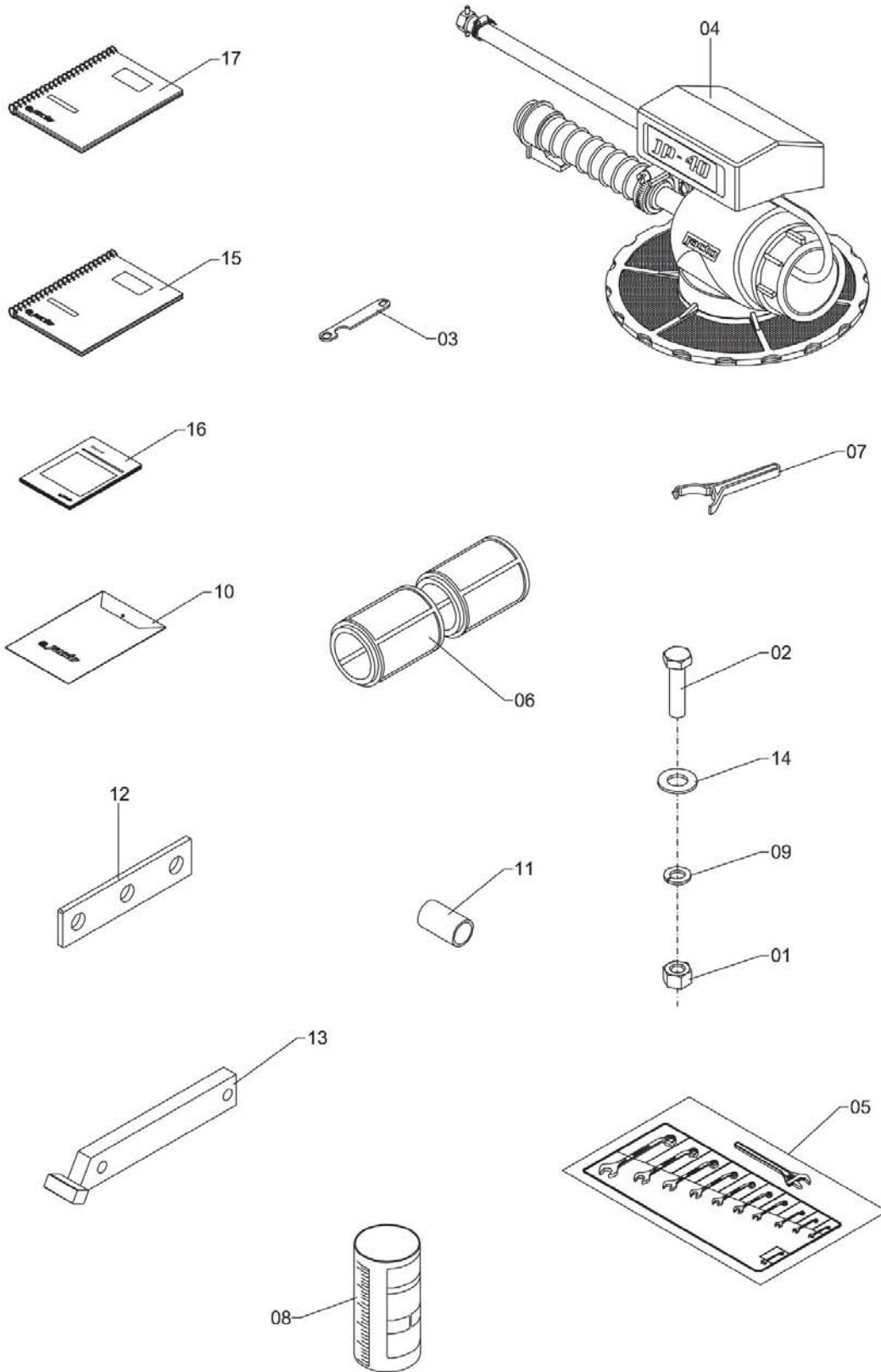
A-52

FILLER UNIT (40 L/MIN.) WITHOUT HOSE

Continuation

Item	CODE	DESCRIPTION	Qty.	Item	CODE	DESCRIPTION	Qty.
00	913400	Filler unit (40 L/min.) without hose	1				
01	913392	Self-tapping screw 6x20 f.p.p. x 3/8"	3				
02	417709	O-ring OR1 -012	1				
03	612853	Injection nozzle	1				
04	809848	Fixed nut	1				
05	322537	Dosage bushing	1				
06	107151	Injection venturi	1				
07	612697	Filler body	1				
08	912642	Screw 1/4" UNC x 5/8"	1				
09	612747	Clamp 10	1				
10	052241	Sticker: "JP-40"	1				
11	358267	Flat washer 64 x 125 x 16	1				
12	910117	Lock washer 1/4"	1				
13	912741	Nut ω 1/4" - 20 UNC	1				
14	114967	Filler unit repair kit	1				
15	612721	Spring seat	1				
16	612861	Spring	1				
17	612739	Ejector valve	1				
18	612705	Valve packing	1				
19	111542	Filtering element with hub and screw	1				

ACCESSORIES BOX



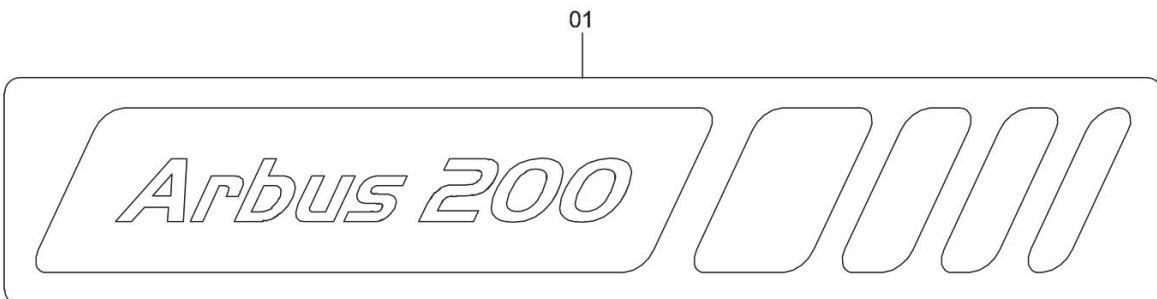
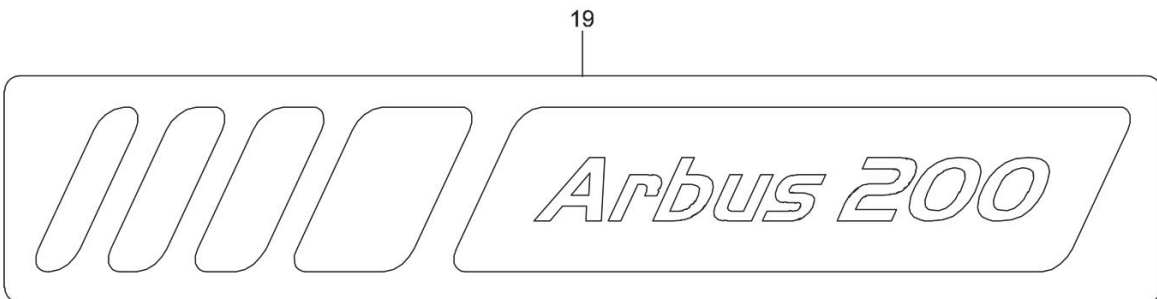
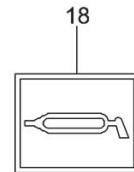
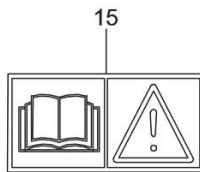
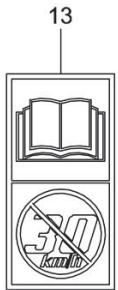
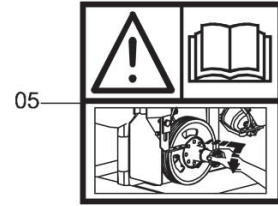
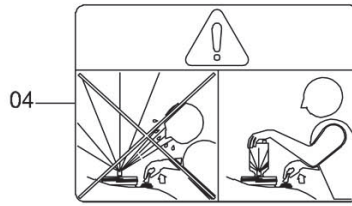
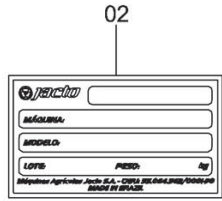
CXA-549

ACCESSORIES BOX

Continuation

Item	CODE	DESCRIPTION	Qty.	Item	CODE	DESCRIPTION	Qty.
00	078195	Accessories box	1				
01	113175	Nut ω 3/4" - 10 UNC	4				
02	348656	Screw 3/4" - 10 UNC x 4"	4				
03	436493	Flat fan nozzle aligner	1				
04	457994	Filler unit for 40 L/min with 10-m hose	1				
04A	612945	Filler unit for 40 L/min with 5-m hose	1				
05	489211	Assembly - combination wrench + screw wrench (for export)	1				
06	613604	Double filtering element	1				
07	703694	Key 40-45	1				
08	767061	Flow calibrator bottle	1				
09	809160	Lock washer 3/4"	4				
10	867127	Plastic folder	1				
11	959577	Bushing 50	4				
12	959650	Coupling support	2				
13	150565	Lift arm	1				
14	622548	Flat washer 194 x 404 x 47.5	4				
15	595603	Operator's manual - Arbus 200	1				
15A	382945	Operator's manual - Arbus 200 (Spanish)	1				
15B	157461	Operator's manual (Arbus 200 - portuguese)	1				
15C	510883	Operator's manual (Arbus 200 - English)	1				
16	140202	Operator's manual - Chemical container rinse nozzle - Spanish	1				
16A	907212	Operator's manual (Chemical container rinse nozzle - USA)	1				
16B	158576	Operator's manual-Chemical container rinse nozzle	1				
16C	136929	Instructions manual - Container rinse nozzle	1				
17	864199	Operator's manual (Nozzles guideline - Spanish)	1				
17A	938381	Nozzle guide MI "USA"	1				
17B	697912	Jacto nozzles guide (English)	1				
17C	853093	Operator's manual - nozzles	1				

DECAL (ARBUS 200)



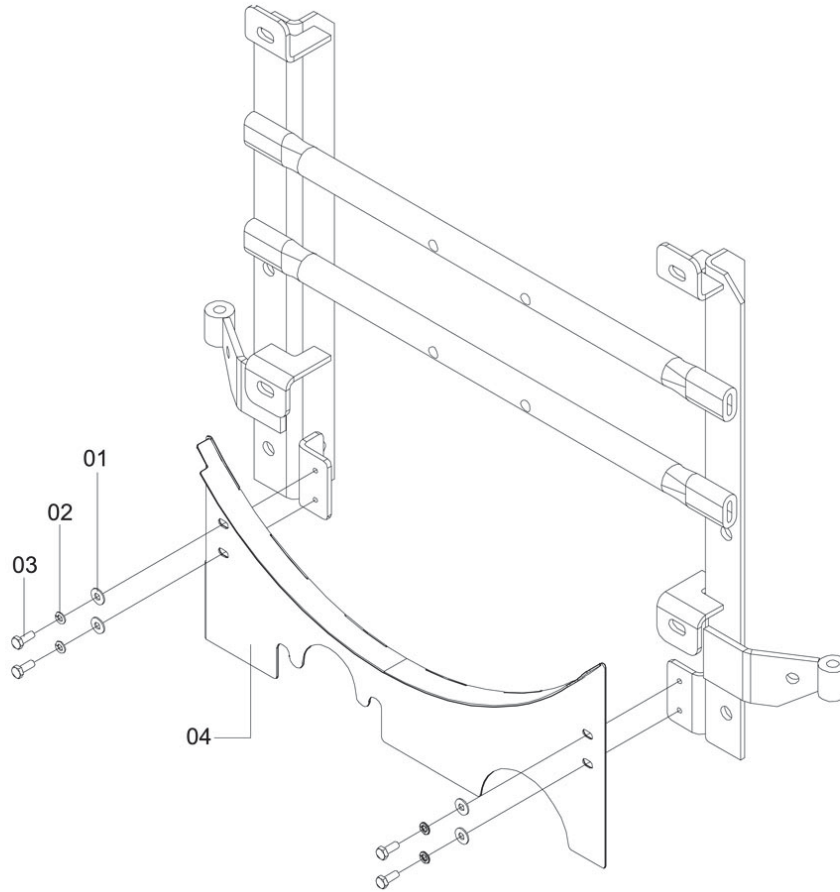
ADS-107

DECAL (ARBUS 200)

Continuation

Item	CODE	DESCRIPTION	Qty.	Item	CODE	DESCRIPTION	Qty.
00	674200	Decal (Arbus 200)	1				
01	1179574	Sticker " Band + Name on the left"	1				
02	983932	Identification plate	1				
03	379073	Sticker: "Tank - Water for Washing Hands"	1				
04	169128	Sticker: "Chemical container rinse nozzle"	1				
05	184440	Fan unlocking instructions decal	1				
06	379008	Sticker: "Danger - PTO Shaft"	1				
07	379040	Sticker: (Attention - Keep at a Distance)	1				
08	379057	Sticker: "Keep at a Distance - Fan"	1				
09	379065	Sticker: "Keep all shields in place"	1				
10	379115	Sticker: "Obligatory Use of Respirator"	1				
11	379123	Sticker: "Obligatory Use of Hearing Protection"	1				
12	379131	Sticker: "Obligatory Use of Protective Clothing"	1				
13	379214	Sticker: "Maximum Speed 30 KM/H"	1				
14	379222	Sticker: "This Machine Is Not Allowed In Highways"	1				
15	379230	Sticker: "Read Operator's Manual - Horizontal"	2				
16	379248	Sticker: "Read Operator's Manual - Vertical"	2				
17	380014	Sticker: (Attention: Do Not Get Into The Tank)	1				
18	276220	Sticker: "Lubrication Point Indication"	1				
19	1179570	Sticker " Band + Name on the right"	1				

COMPLEMENTS

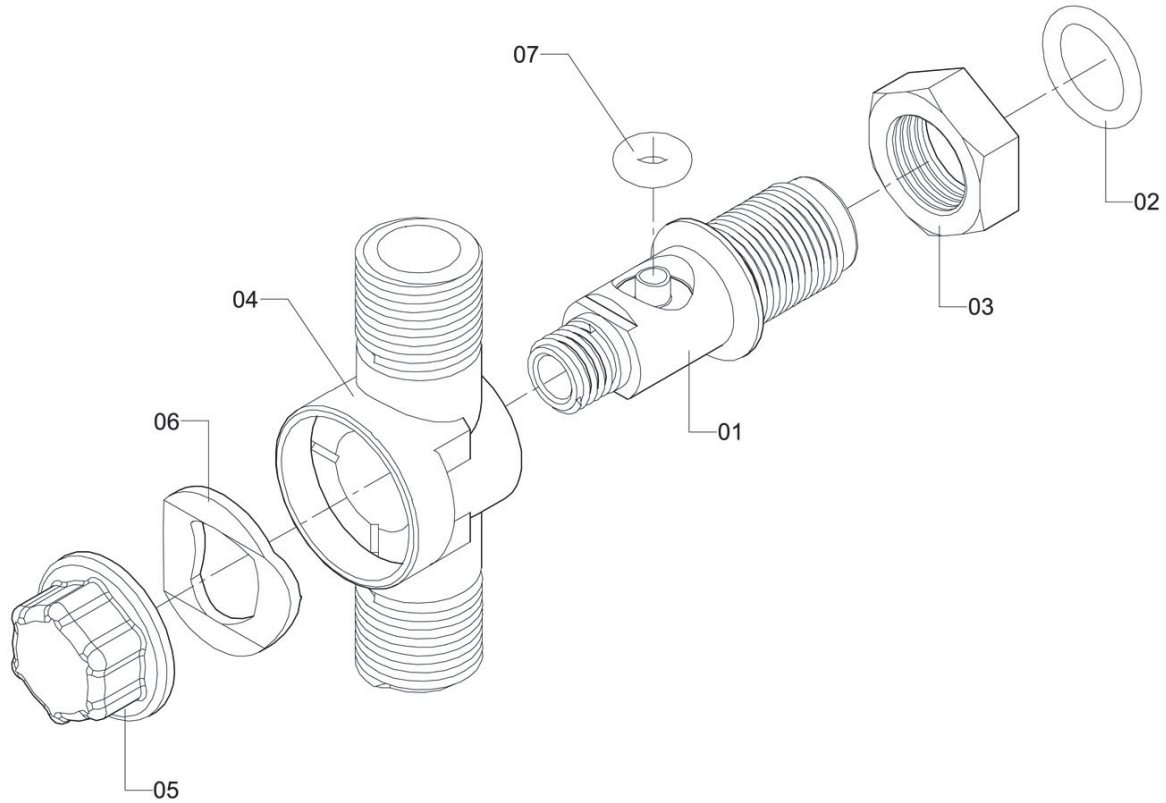


C-424

Item	CODE	DESCRIPTION	Qty.	Item	CODE	DESCRIPTION	Qty.
00	1175008	Complements	1				
01	501460	Flat washer 65 x 150 x 12	4				
02	521666	Lock washer ω 5 - stainless steel	4				
03	829507	Hex. head bolt M6 x 1 x 16 CL8.8	4				
04	1175005	Upper Rear Guard	1				

Controlled copy – Distribution and reproduction prohibited

DOUBLE NOZZLE HOLDER "II" WITHOUT NOZZLES

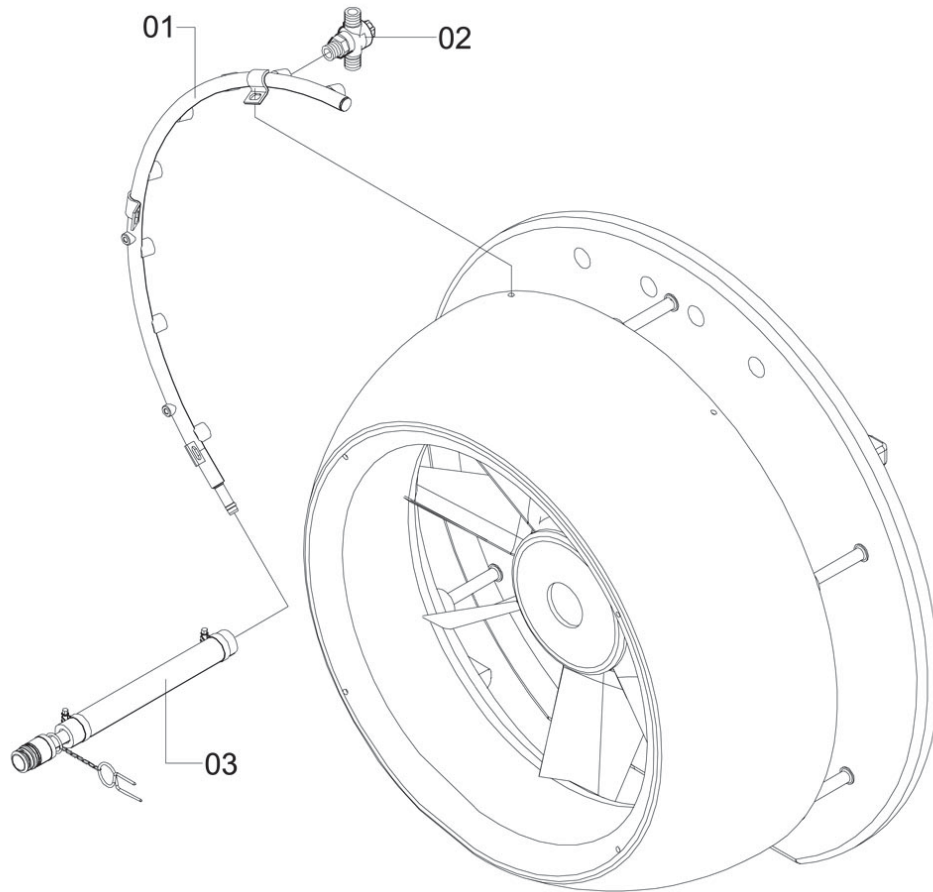


BC-42

Item	CODE	DESCRIPTION	Qty.	Item	CODE	DESCRIPTION	Qty.
00	168963	Double nozzle holder "II" without nozzles	1				
01	645838	Nozzle holder body	1				
02	244459	O-ring OR1-113	1				
03	645853	Hex. nut 3/8" -19 BSP	1				
04	645895	Double nozzle holder body	1				
05	645879	Cover nut - M12 x 1.25	1				
06	645861	Flat spring	1				
07	340851	O-ring OR2 - 201	1				

Controlled copy – Distribution and reproduction prohibited

RIGHT BRANCH ASSEMBLY (8 NOZZLE)

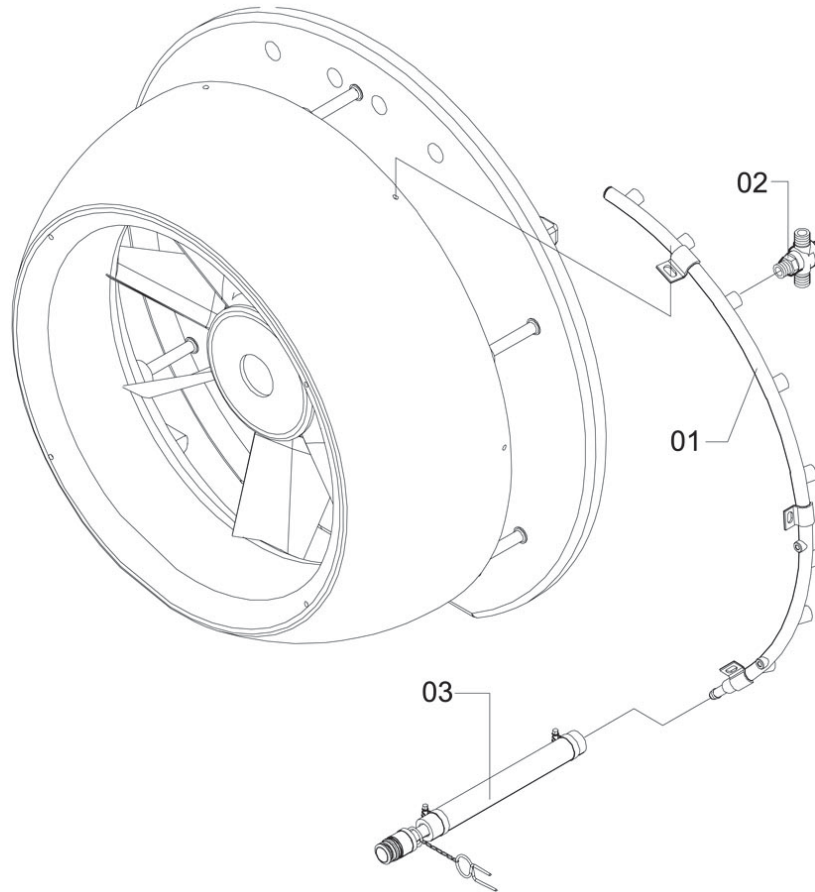


BC-61

Item	CODE	DESCRIPTION	Qty.	Item	CODE	DESCRIPTION	Qty.
00	896365	Right branch assembly (8 nozzle)	1				
01	086249	Right nozzle branch	1				
02	168963	Double nozzle holder "II" without nozzles	8				
03	1162542	Hose \varnothing 1/2" x 400 with quick fitting	1				

Controlled copy – Distribution and reproduction prohibited

LEFT BRANCH ASSEMBLY



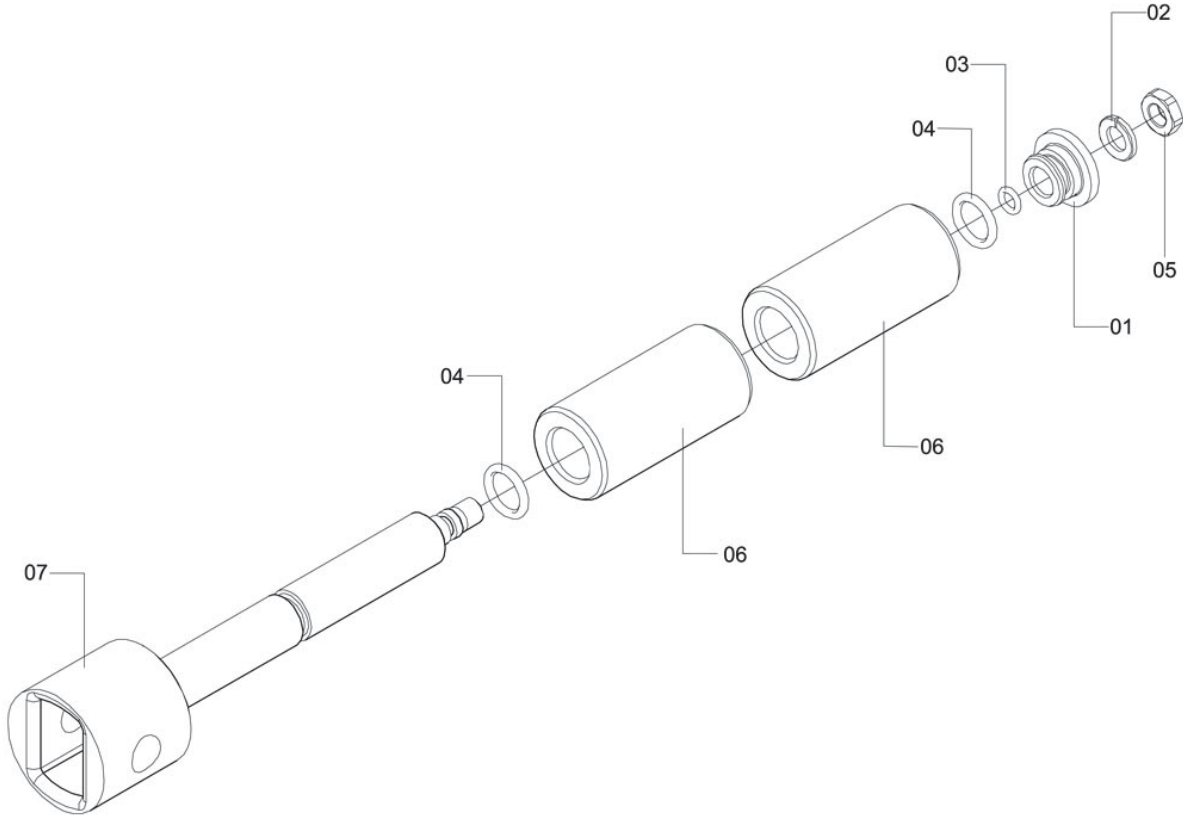
BC-62

Item	CODE	DESCRIPTION	Qty.
00	896357	Left branch assembly	1
01	086256	Left nozzle branch	1
02	168963	Double nozzle holder "II" without nozzles	8
03	1162542	Hose ω 1/2" x 400 with quick fitting	1

Item	CODE	DESCRIPTION	Qty.

Controlled copy – Distribution and reproduction prohibited

PISTON ASSEMBLY

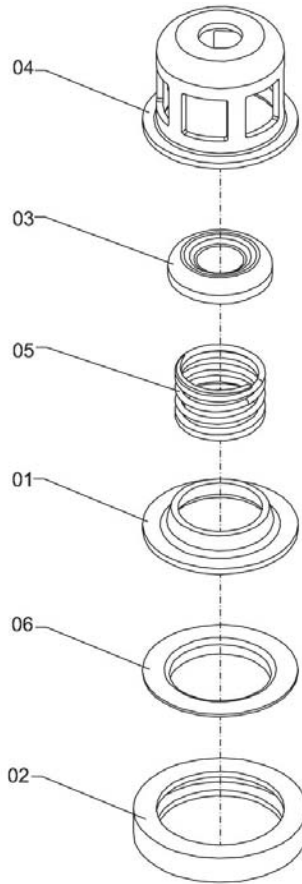


B-118

Item	CODE	DESCRIPTION	Qty.	Item	CODE	DESCRIPTION	Qty.
00	326983	Piston assembly	1				
01	109959	Piston bush	1				
02	827295	Lock washer M8 stainless steel	1				
03	940106	O-ring OR1-009	1				
04	325290	O-ring OR1-112	2				
05	1180910	Hex nut - M8 x 1 A2-70	1				
06	764860	Extension	2				
07	765016	Piston body	1				

Controlled copy – Distribution and reproduction prohibited

PUMP VALVE ∅ 18

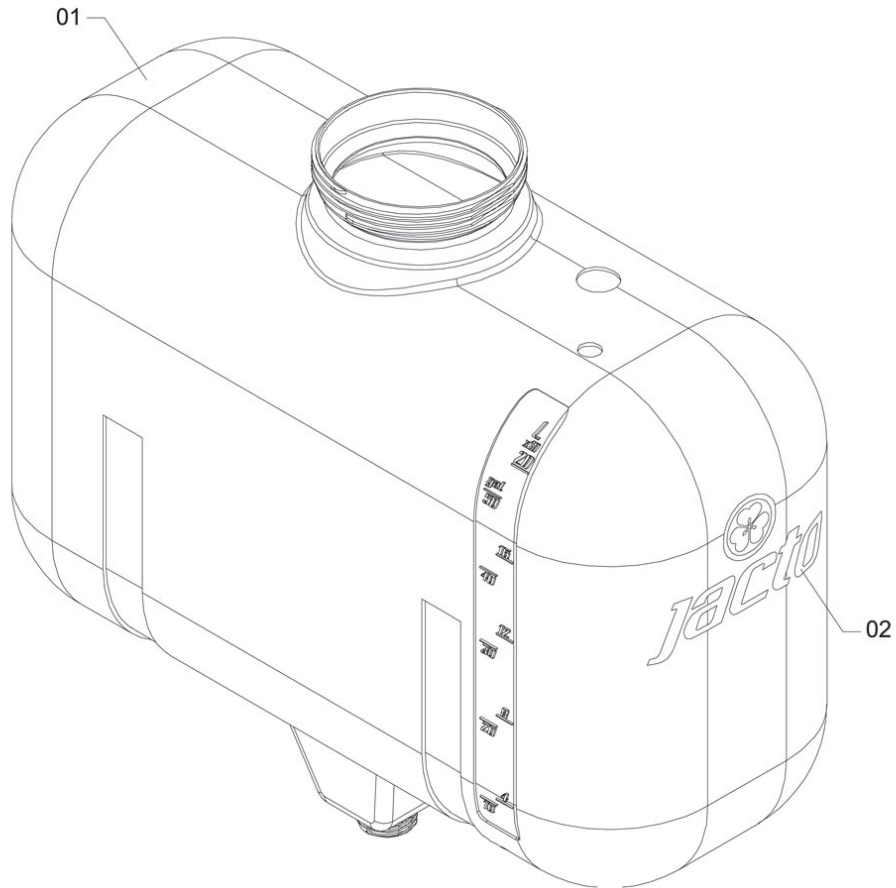


CV-450

Item	CODE	DESCRIPTION	Qty.	Item	CODE	DESCRIPTION	Qty.
00	407825	Pump valve ∅ 18	1				
01	407296	Valve seat	1				
02	508333	Valve packing	1				
03	407320	Disc ∅ 23mm	1				
04	407346	Valve cage	1				
05	502732	Compression spring	1				
06	508317	Guide ring - pump valve	1				

Controlled copy – Distribution and reproduction prohibited

200-LITER TANK



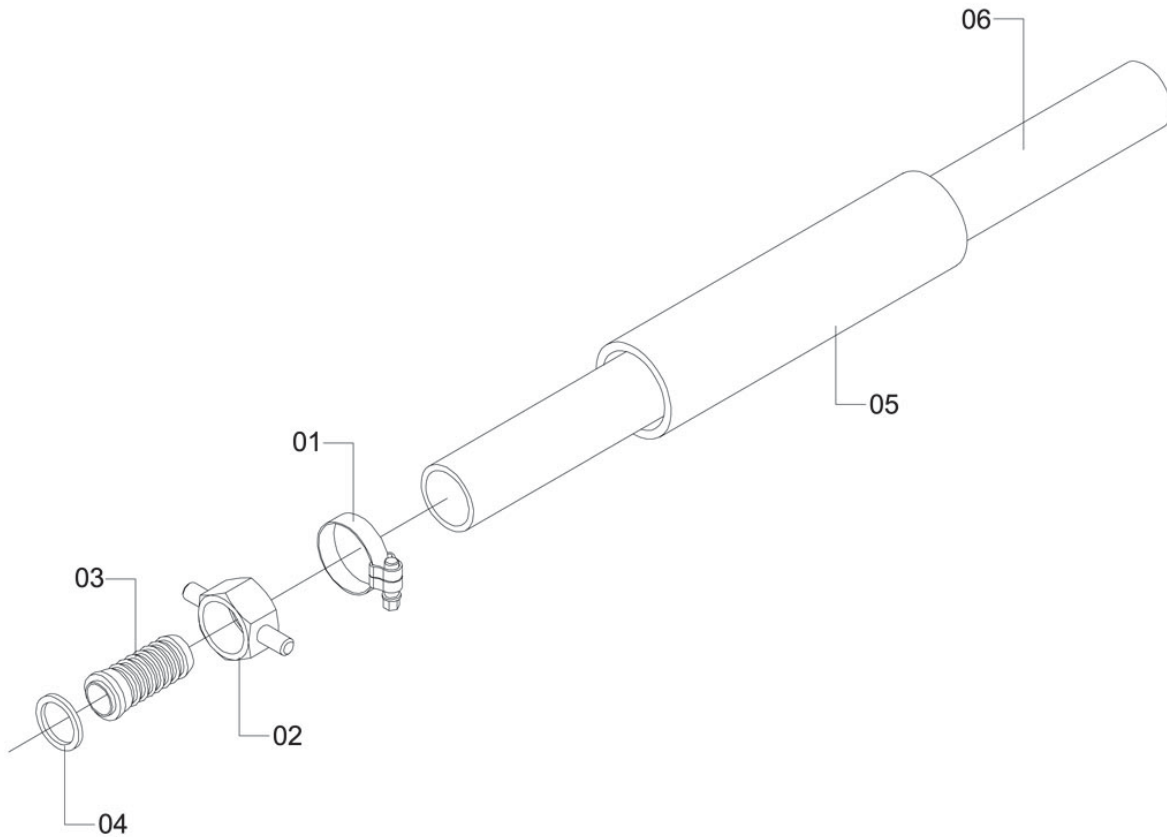
D-174

Item	CODE	DESCRIPTION	Qty.
00	144048	200-liter tank	1
01	144030	200-liter Reservoir body	1
02	1179640	Sticker "Clover + Logo"	2

Item	CODE	DESCRIPTION	Qty.

Controlled copy – Distribution and reproduction prohibited

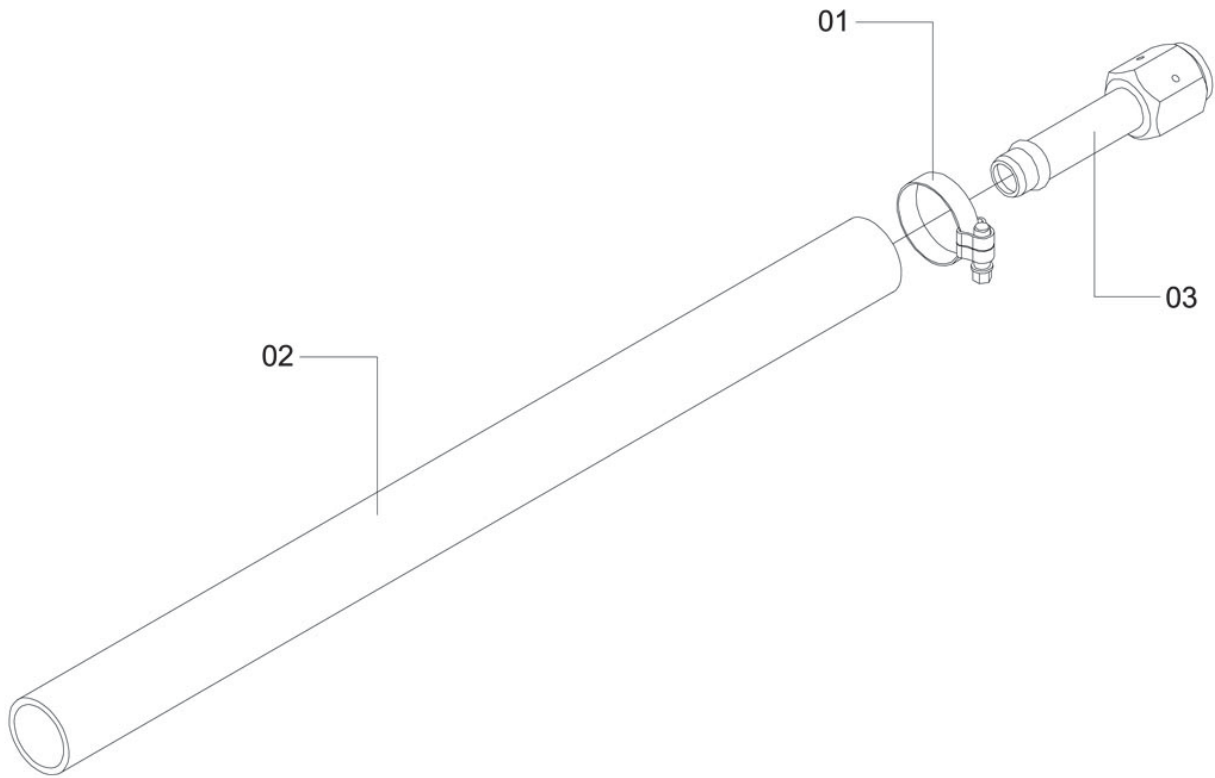
HOSE - PUMP / CONTROL



CD-754

Item	CODE	DESCRIPTION	Qty.	Item	CODE	DESCRIPTION	Qty.
00	174409	Hose - Pump / Control	1				
01	107664	Clamp D14-22 - stainless steel	1				
02	403014	Hexagonal wing nut 3/4" BSP	1				
03	606764	Fitting for hose w 3/4"	1				
04	706796	O-ring OR1-114	1				
05	172049	Protective Hose 25,4(1") x 170 - KM-25 Blue	1				
06	211995	Hose 3/4" x 1150	1				

HOSE - CONTROL / RIGHT NOZZLE BRANCH



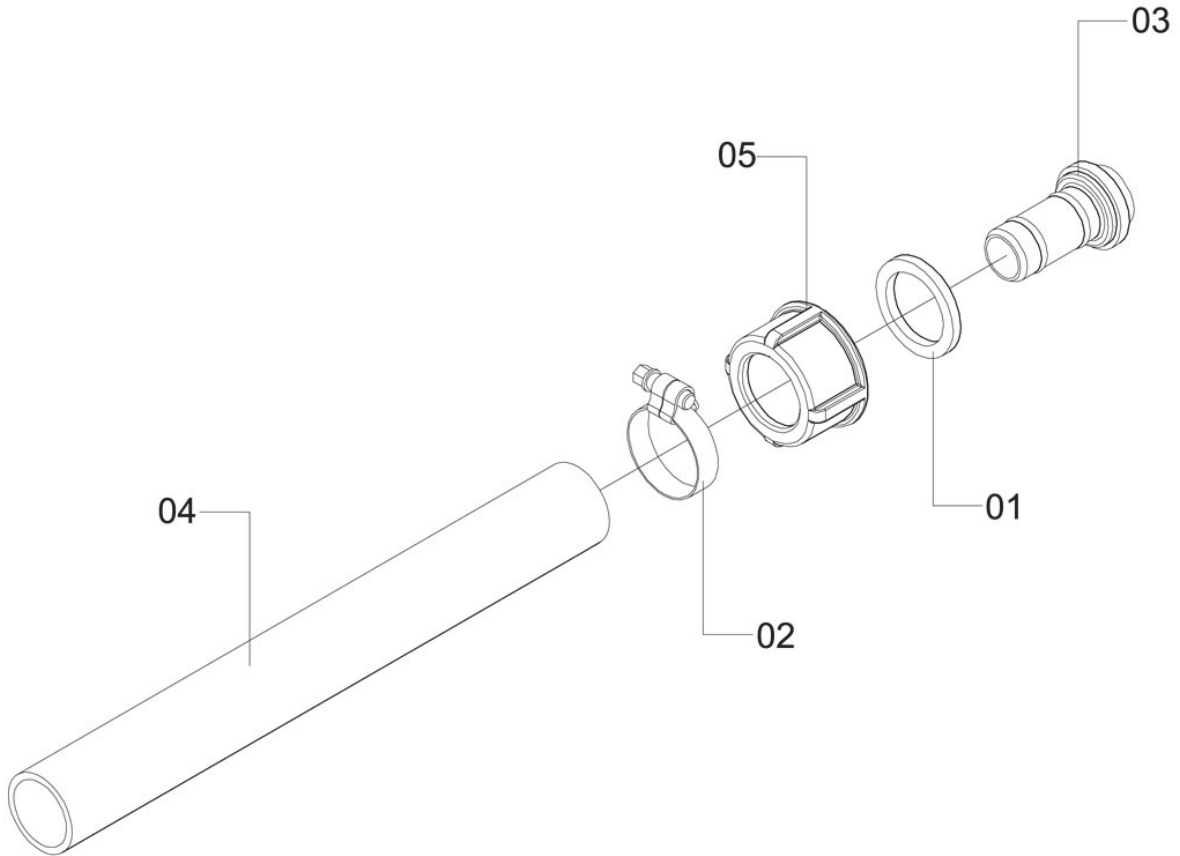
CD-753

Item	CODE	DESCRIPTION	Qty.
00	174417	Hose - Control / Right nozzle branch	1
01	107664	Clamp D14-22 - stainless steel	1
02	814459	Hose 1/2" x 1250	1
03	086447	Quick fitting 1/2"	1

Item	CODE	DESCRIPTION	Qty.

Controlled copy – Distribution and reproduction prohibited

HOSE - RETURN CONTROL / AGITATOR

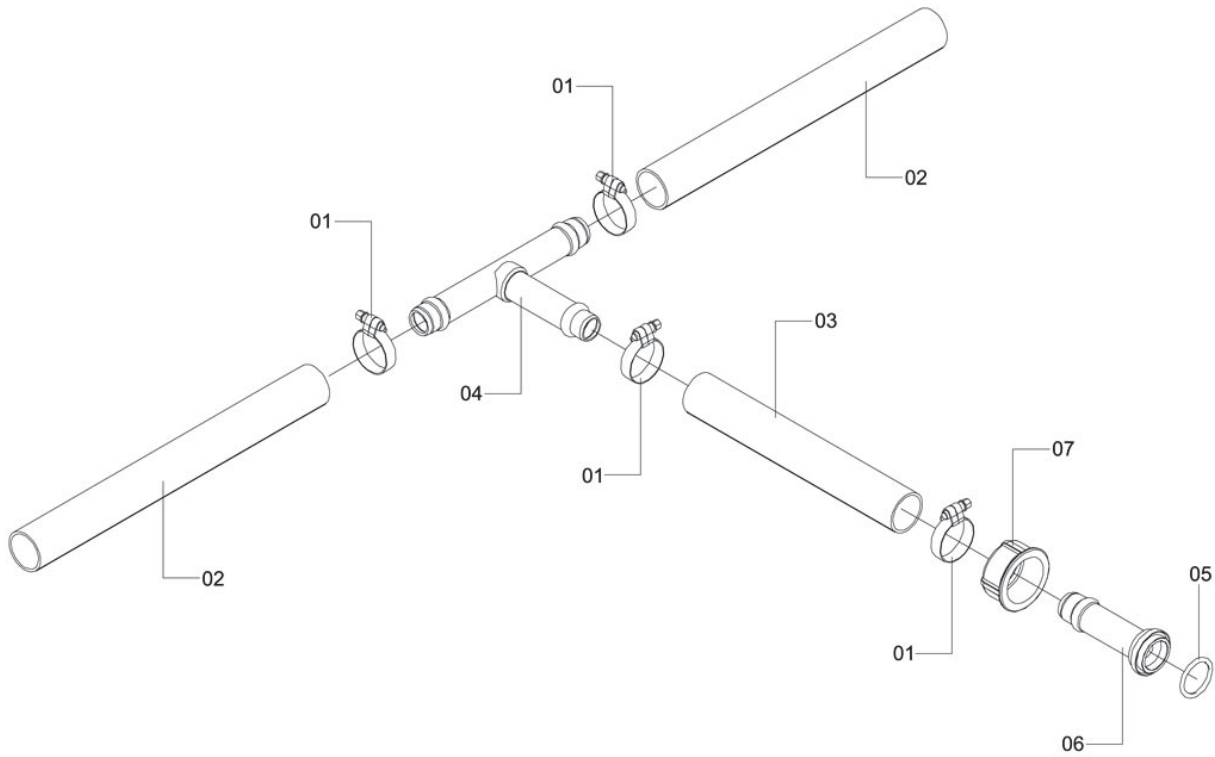


CD-752

Item	CODE	DESCRIPTION	Qty.	Item	CODE	DESCRIPTION	Qty.
00	174433	Hose - Return Control / Agitator	1				
01	010827	Packing ring w 29 x 22 x 3	1				
02	423814	Clamp D22-32 - stainless steel	1				
03	429043	Fitting 3/4" x 22.6	1				
04	717223	Hose 3/4" x 970	1				
05	511733	Round nut 1" BSP (40-45)	1				

Controlled copy – Distribution and reproduction prohibited

HOSE - RETURN CONTROL / PACKAGING WASHER



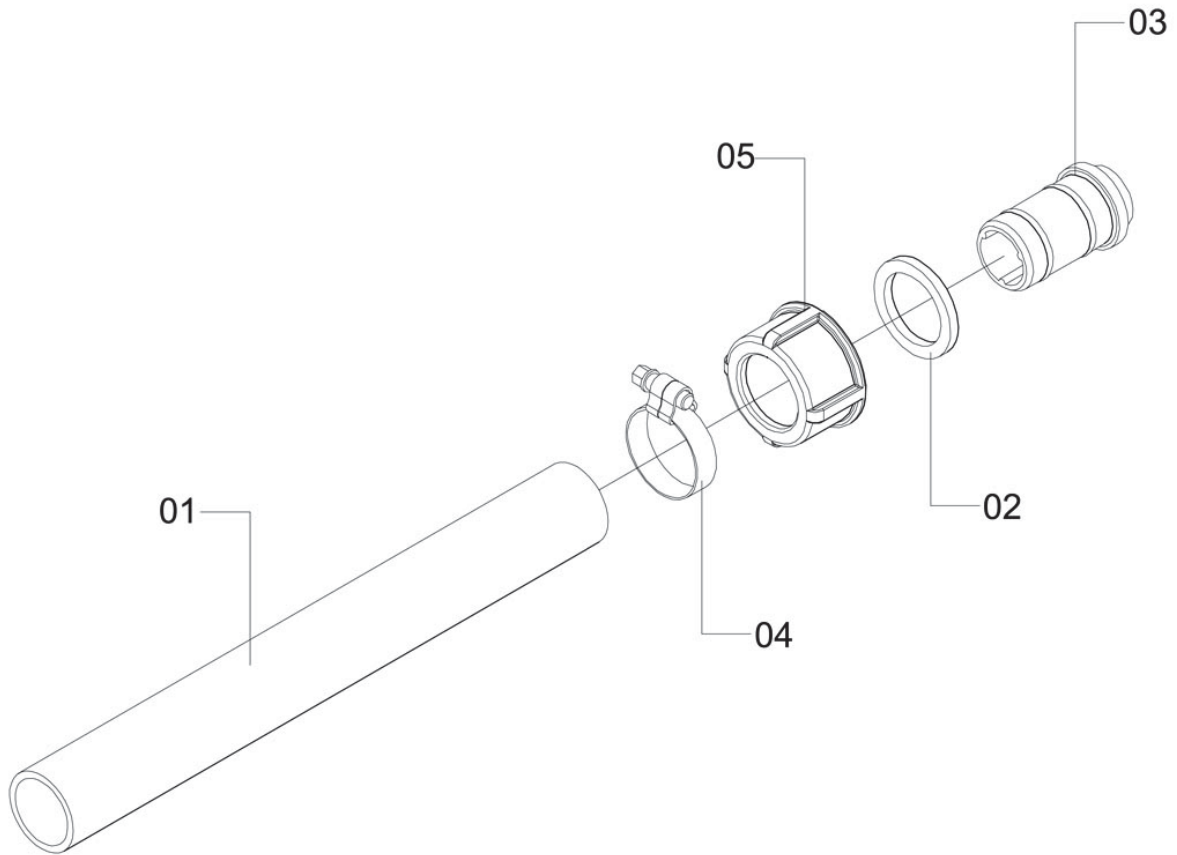
CD-750

Item	CODE	DESCRIPTION	Qty.
00	174441	Hose - Return Control / Packaging Washer	1
01	107664	Clamp D14-22 - stainless steel	4
02	943225	Hose 1/2" x 500	2
03	127787	Hose \varnothing 1/2"	1
04	318170	Tee hose fitting \varnothing 1/2"	1
05	731521	O-ring OR1 - 124	1
06	731539	Hose fitting 1/2"	1
07	005884	Nut 1.1/4" BSP	1

Item	CODE	DESCRIPTION	Qty.

Controlled copy – Distribution and reproduction prohibited

HOSE - FILTER / PUMP

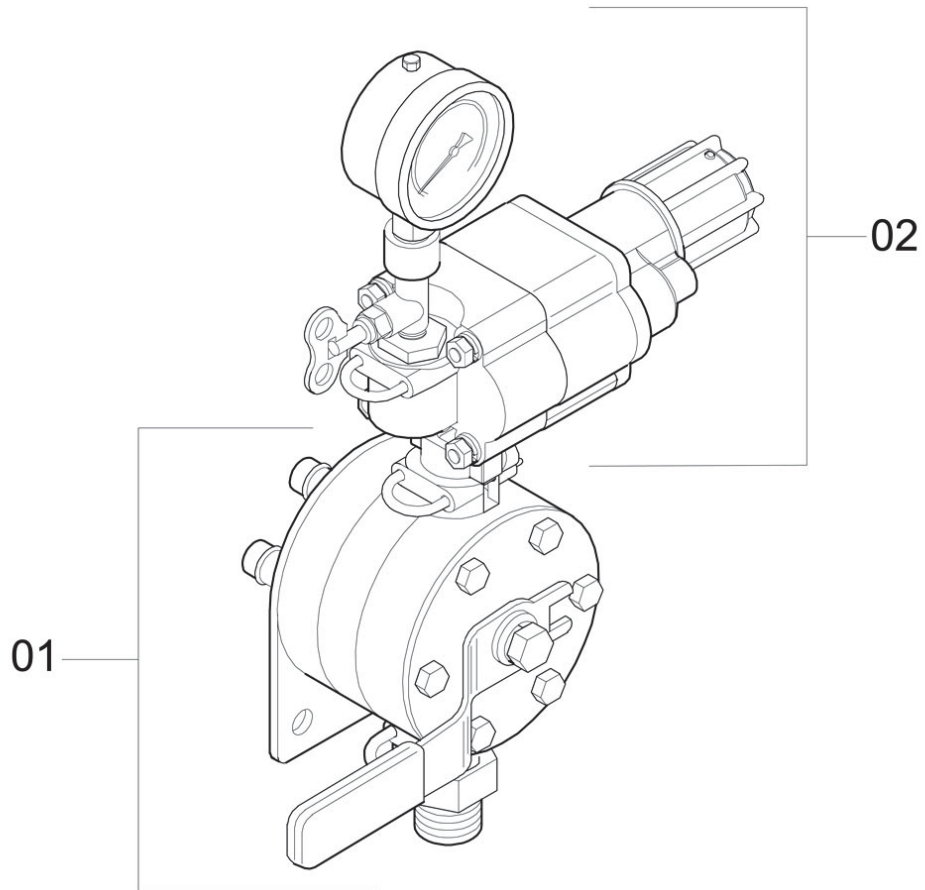


CD-751

Item	CODE	DESCRIPTION	Qty.
00	174466	Hose - Filter / Pump	1
01	037531	Hose 1" x 240	1
02	402412	Lock washer 31 x 22.5 x 22.5/3.0	1
03	404434	Hose fitting	1
04	423814	Clamp D22-32 - stainless steel	1
05	511733	Round nut 1" BSP (40-45)	1

Item	CODE	DESCRIPTION	Qty.

JACTO CONTROL 42L/MIN. MODEL "A"

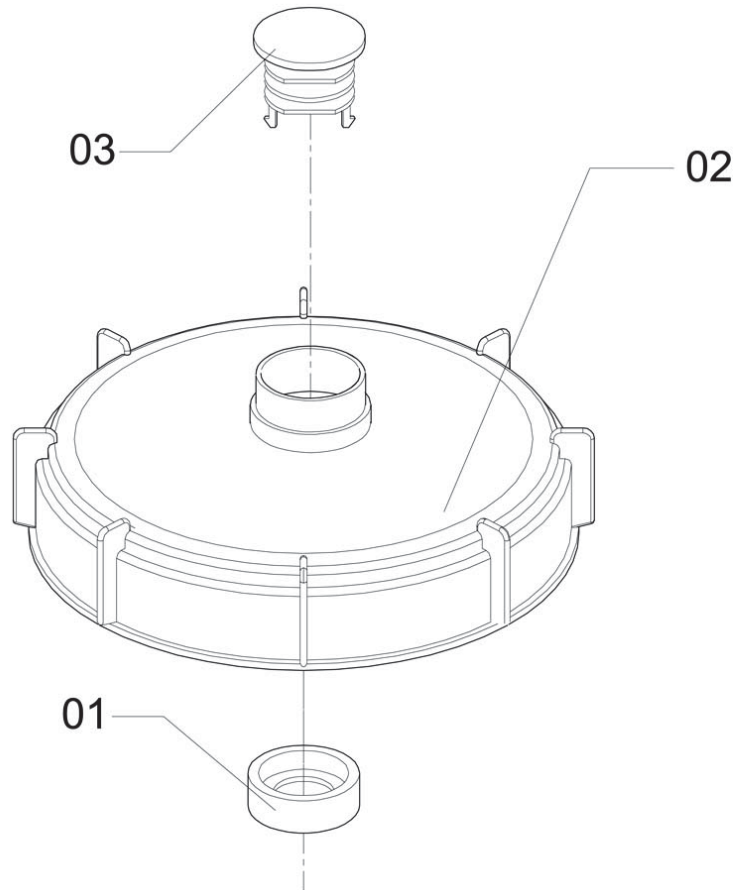


CV-451

Item	CODE	DESCRIPTION	Qty.	Item	CODE	DESCRIPTION	Qty.
00	188102	Jacto Control 42L/min. Model "A"	1				
01	348904	Directional valve 2 L/Min.	1				
02	348896	Pressure regulator	1				

Controlled copy – Distribution and reproduction prohibited

LID WITH BREATHER

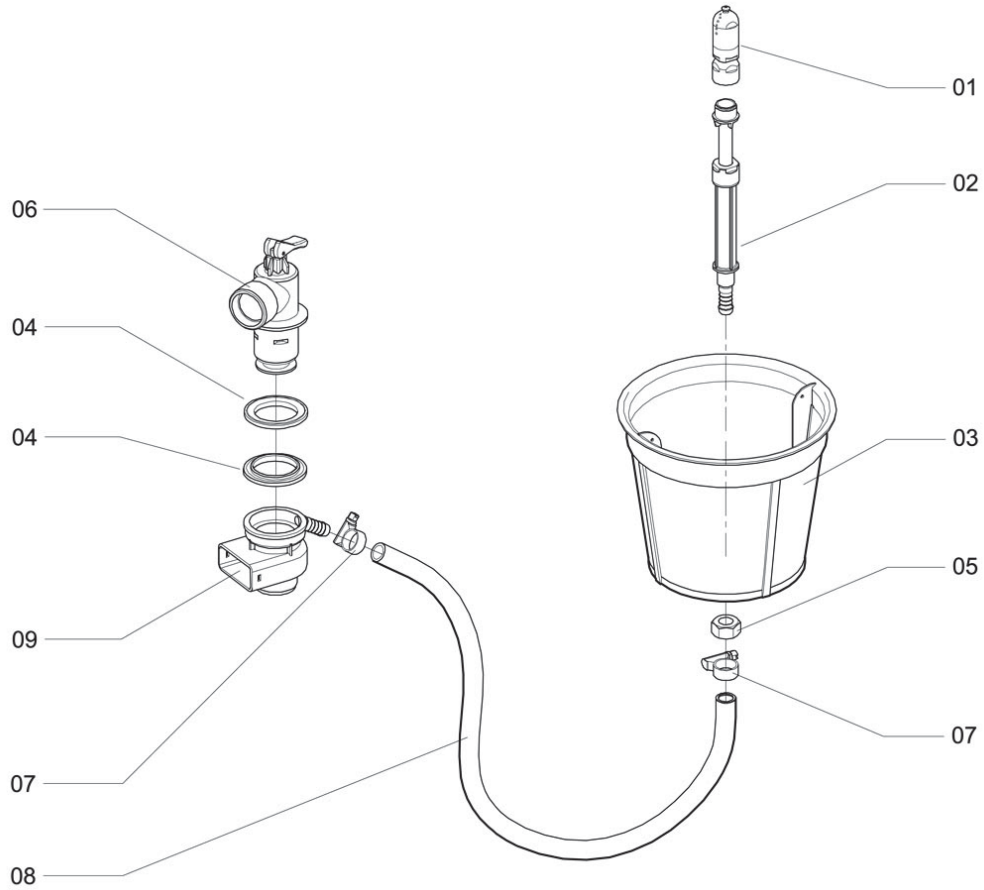


D-101

Item	CODE	DESCRIPTION	Qty.	Item	CODE	DESCRIPTION	Qty.
00	037374	Lid with breather	1				
01	088419	Labyrinth lock	1				
02	233965	Spray tank lid	1				
03	088427	Labyrinth	1				

Controlled copy – Distribution and reproduction prohibited

CONTAINER RINSE NOZZLE NR 8

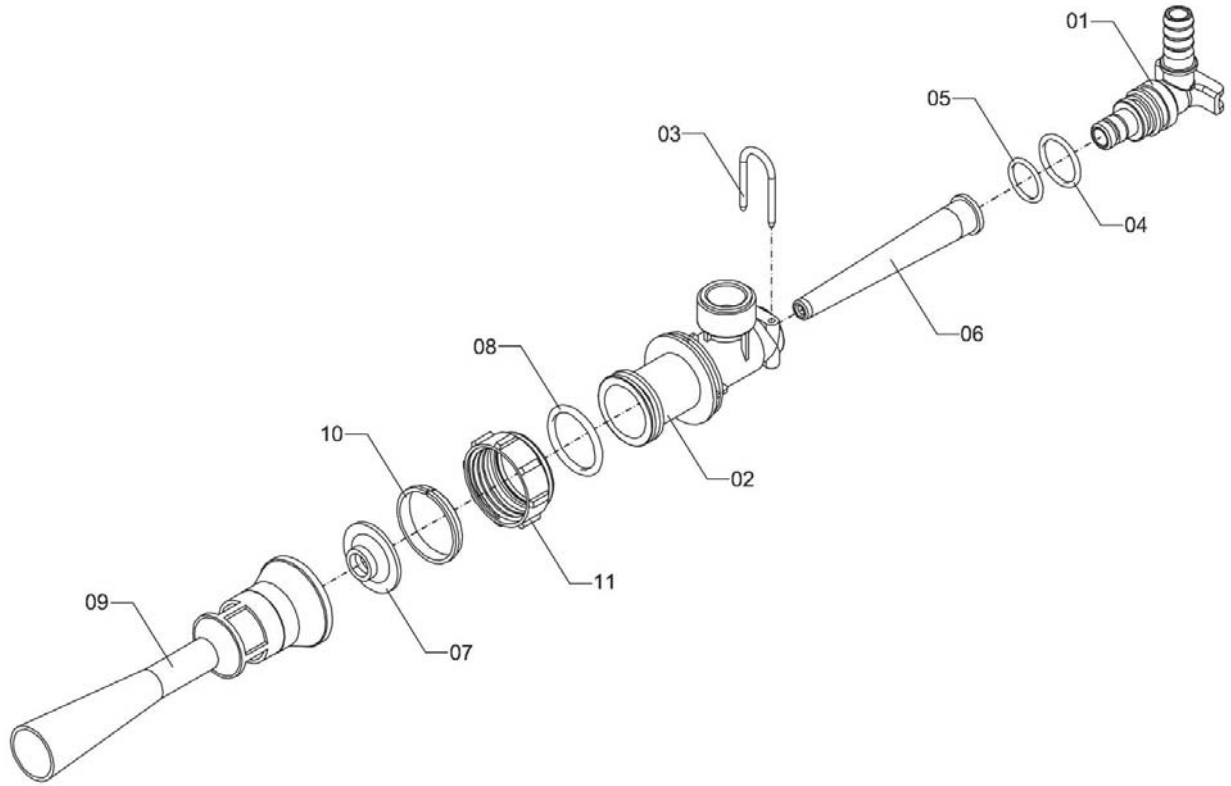


KIT-166

Item	CODE	DESCRIPTION	Qty.	Item	CODE	DESCRIPTION	Qty.
00	136648	Container rinse nozzle NR 8	1				
01	071944	Chemical container rinse nozzle	1				
02	088237	Chemical container rinse nozzle rod	1				
03	061788	Strainer 190-2T	1				
04	088245	Packing ring	2				
05	938498	Hex. nut M16 x 2.00	1				
06	136879	Valve - chemical container rinse nozzle	1				
07	107664	Clamp D14-22 - stainless steel	2				
08	071886	Hose 12.7 (1/2") x 600	1				
09	054411	Valve fastener	1				

Controlled copy – Distribution and reproduction prohibited

HYDRAULIC AGITATOR

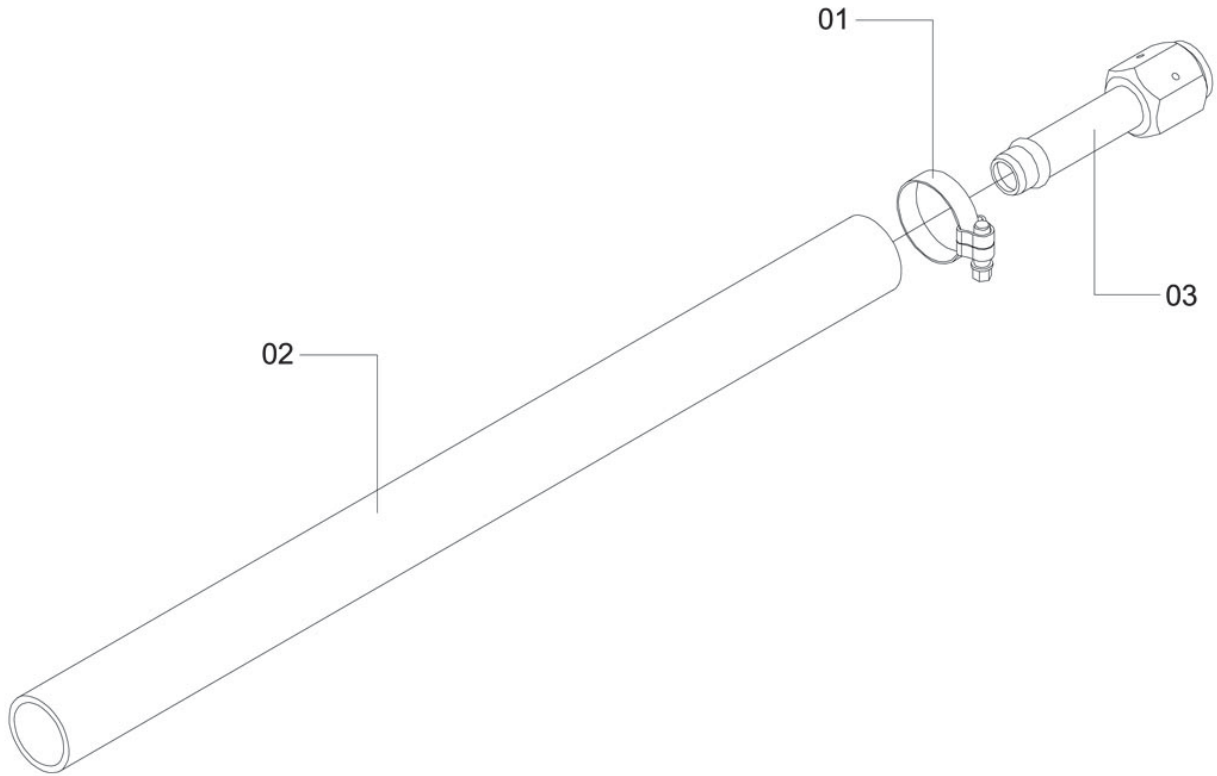


MM-13

Item	CODE	DESCRIPTION	Qty.	Item	CODE	DESCRIPTION	Qty.
00	139584	Hydraulic agitator	1				
01	764365	Agitator elbow 1/2"	1				
02	764373	Agitator body	1				
03	348789	Lock 22	1				
04	832857	O-ring OR1-115	1				
05	909234	O-ring OR1-013	1				
06	764357	Disc holder	1				
07	088609	Full flow cell - 50 liters	1				
08	106948	O-ring OR1-130	1				
09	764381	Agitator venturi	1				
10	005918	Locking ring	1				
11	005900	Coupling nut	1				

Controlled copy – Distribution and reproduction prohibited

HOSE - CONTROL / LEFT NOZZLE BRANCH



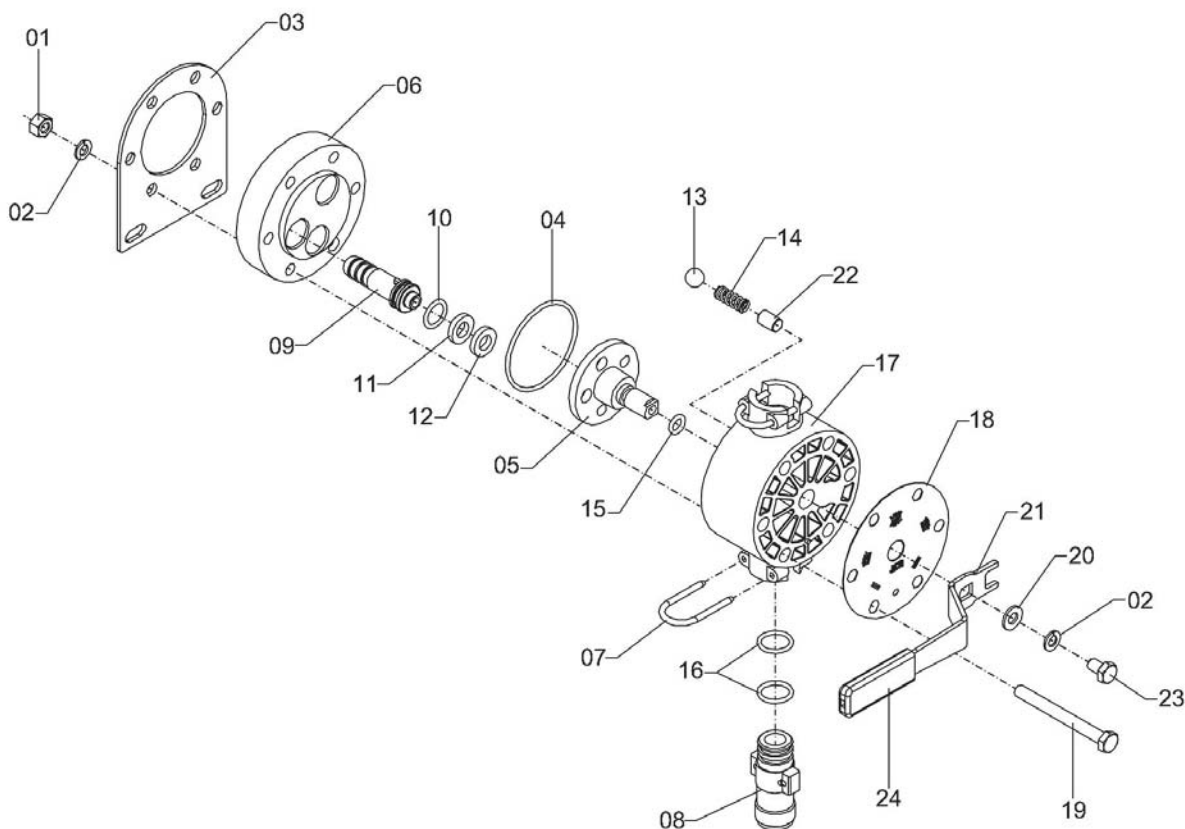
CD-753

Item	CODE	DESCRIPTION	Qty.
00	174425	Hose - Control / Left nozzle branch	1
01	107664	Clamp D14-22 - stainless steel	1
02	947374	Hose 1/2" x 1500	1
03	086447	Quick fitting 1/2"	1

Item	CODE	DESCRIPTION	Qty.

Controlled copy – Distribution and reproduction prohibited

DIRECTIONAL VALVE 2 L/MIN.

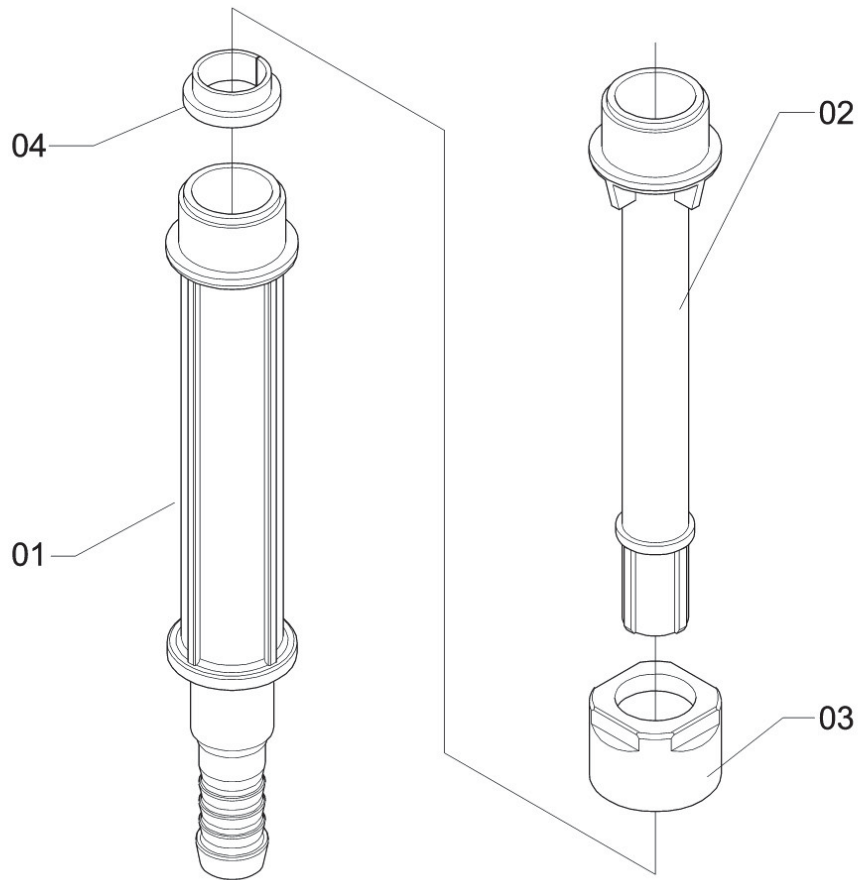


CV-335

Item	CODE	DESCRIPTION	Qty.	Item	CODE	DESCRIPTION	Qty.
00	348904	Directional valve 2 L/Min.	1				
01	810770	Hex. nut M-8 x 1.25	6				
02	519736	Lock washer w	7				
03	358382	Support	1				
04	358242	O-ring ORI - 142	1				
05	348805	Distributor	1				
06	333096	Valve cover	1				
07	348771	Lock	2				
08	170399	Male fitting w 3/4" BSP	1				
09	346130	Hose fitting w 1/2"	3				
10	706796	O-ring OR1-114	4				
11	414771	O-ring w 20 x 11 x 3.0	3				
12	348813	Packing ring	3				
13	358234	Ball w 1/2"	1				
14	411603	Compression spring	1				
15	416669	O-ring OR1-110	1				
16	358226	O-ring ORI - 116	4				
17	333039	Valve body	1				
18	348763	Plate	1				
19	358218	Hex. bolt M8 x 80 x 1.25	6				
20	013433	Flat washer w 4.8 x 16 x 1.6 inox	1				
21	348870	Lever	1				
22	555037	Bushing	1				
23	033696	Hex. head bolt M8 x 12 x 1.25	1				
24	945964	Lever handgrip	1				

Controlled copy – Distribution and reproduction prohibited

CHEMICAL CONTAINER RINSE NOZZLE ROD



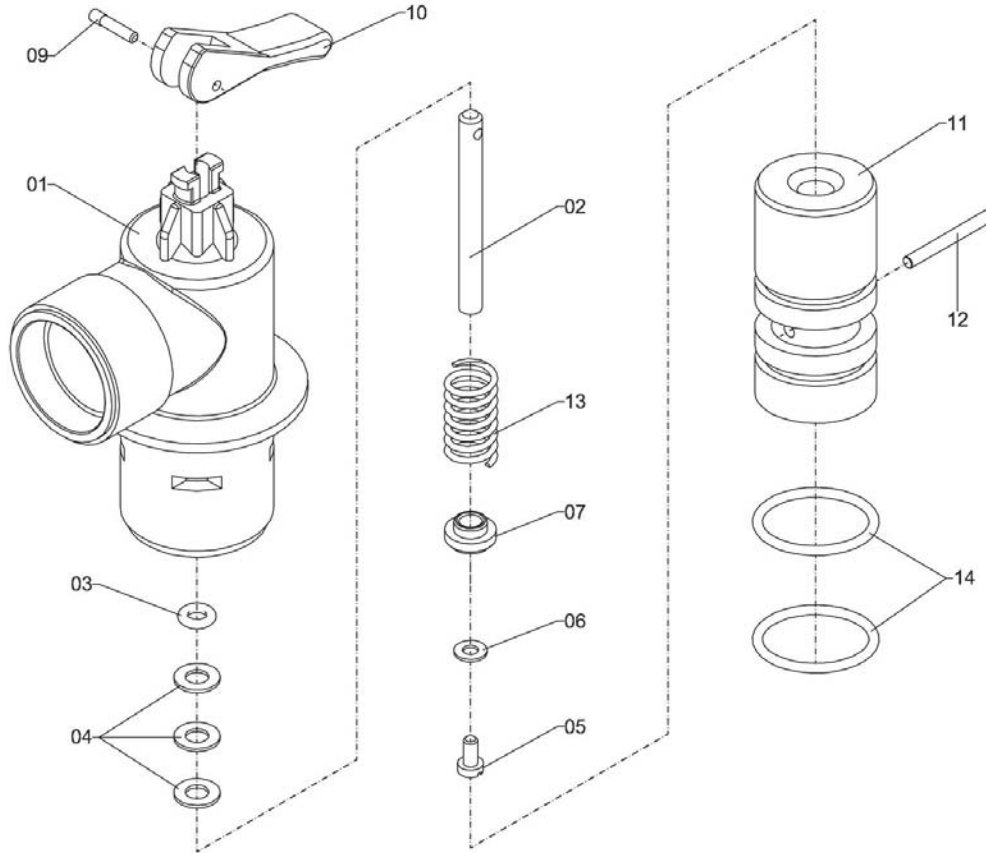
KIT-76

Item	CODE	DESCRIPTION	Qty.
00	088237	Chemical container rinse nozzle rod	1
01	058834	Nozzle rod	1
02	083907	Rod extension	1
03	087882	Extension nut	1
04	134221	Lock ring	1

Item	CODE	DESCRIPTION	Qty.

Controlled copy – Distribution and reproduction prohibited

VALVE - CHEMICAL CONTAINER RINSE NOZZLE

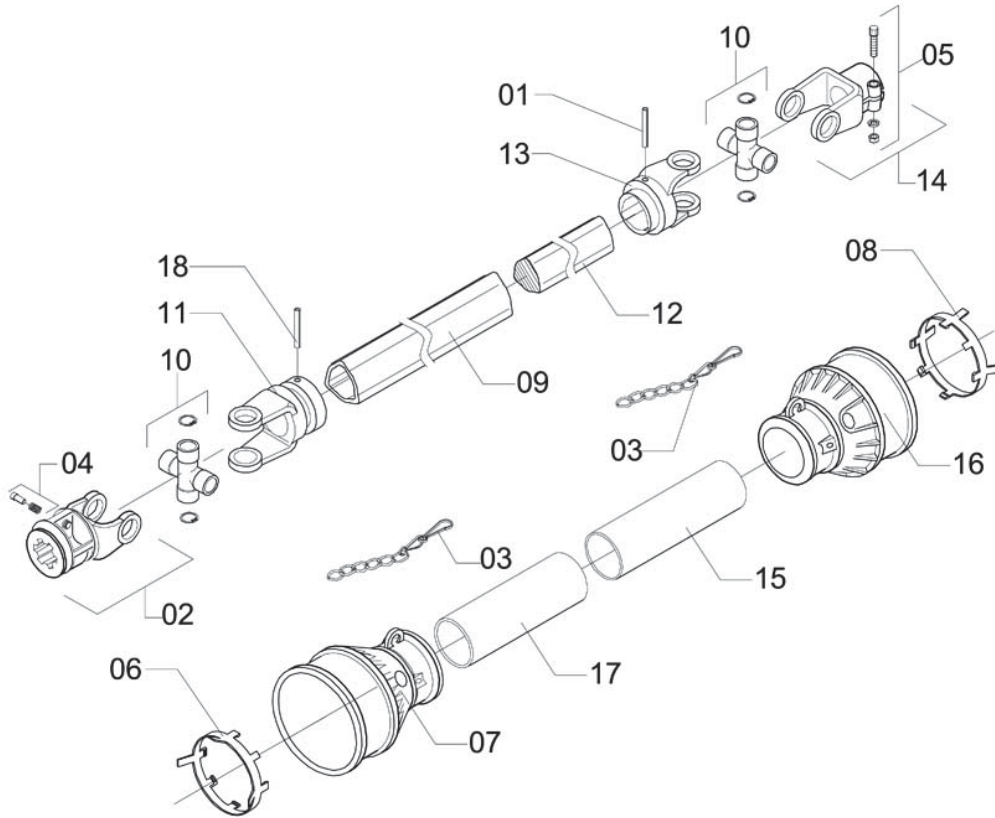


CV-108

Item	CODE	DESCRIPTION	Qty.	Item	CODE	DESCRIPTION	Qty.
00	136879	Valve - chemical container rinse nozzle	1				
01	054403	Valve body	1				
02	049841	Spring guide pin	1				
03	050237	O-ring OR2-108	1				
04	050195	Flat washer 64 x 125 x 95 stainless steel	3				
05	050211	Screw M4 x 8	1				
06	050187	Flat washer ω 4.3 x 9 x 0.8 - stainless steel	1				
07	048199	Seal	1				
08	050203	Flat washer 94 x 142 x 95	1				
09	049858	Lever pin	1				
10	054445	Rinse nozzle lever	1				
11	136853	Valve core	1				
12	136861	Lock pin	1				
13	044057	Compression spring 12.7	1				
14	011668	O-ring OR1-122	2				

Controlled copy – Distribution and reproduction prohibited

CONVENTIONAL PTO SHAFT 610 S 102 - Z= 6 X 30

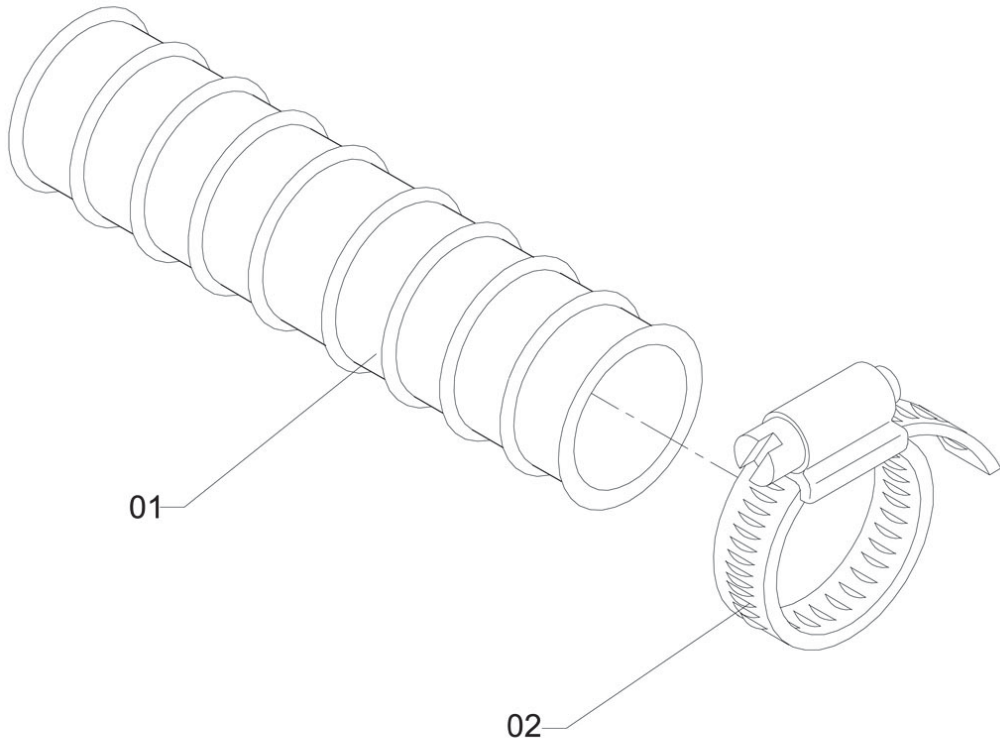


CN-30

Item	CODE	DESCRIPTION	Qty.	Item	CODE	DESCRIPTION	Qty.
00	558932	Conventional PTO shaft 610 S 102 - Z= 6 x 30	1				
01	912626	Flexible pin	1				
02	207589	Coupling end with lock - tractor end (1.3/8"Z=6)	1				
03	457127	Chain	2				
04	210641	Lock with spring	1				
05	457192	Bolt and nut	1				
06	643510	Shield lock	1				
07	643676	Cross shield (PTO end)	1				
08	643569	Shield lock	1				
09	643783	Female tube	1				
10	643411	Cross	2				
11	952761	Internal coupling end - tractor end	1				
12	643791	Male tube	1				
13	952753	Internal coupling end - sprayer end	1				
14	643502	Coupling end (sprayer end)	1				
15	643817	Male tube shield	1				
16	643700	Cross shield (sprayer end)	1				
17	643809	Female tube shield	1				
18	207449	Flexible pin 8 x 55	1				

Controlled copy – Distribution and reproduction prohibited

HOSE (1.1/4") X 1000

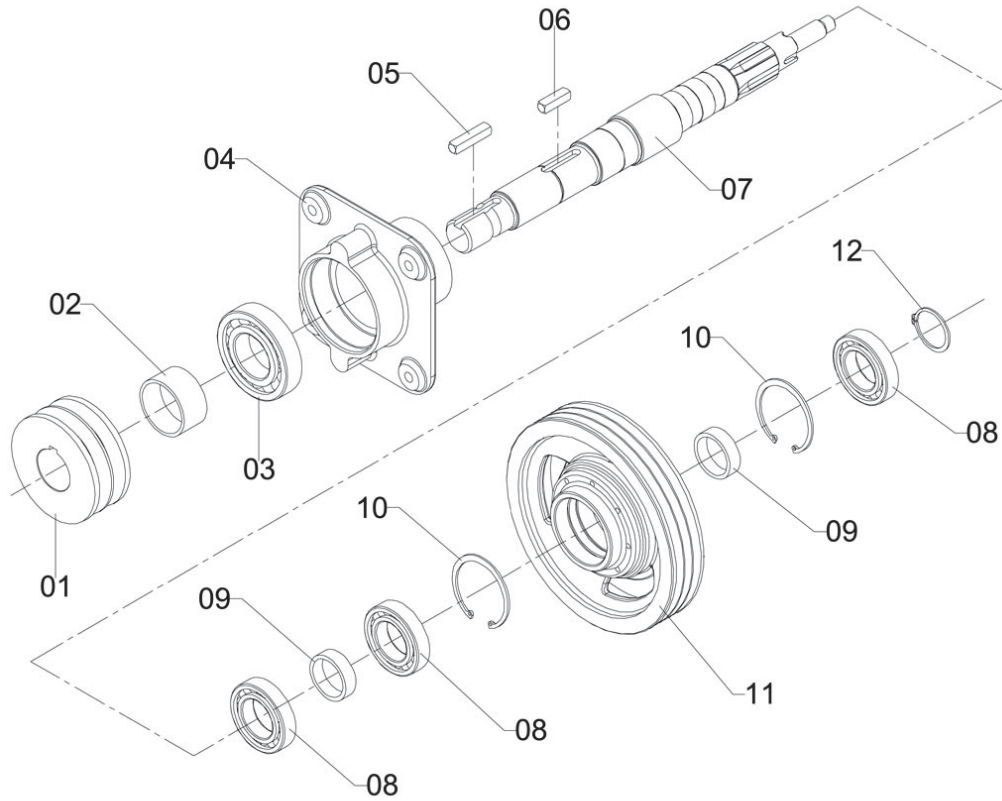


A-50

Item	CODE	DESCRIPTION	Qty.
00	673897	Hose (1.1/4") x 1000	1
01	457895	Hose 1.1/4" x 10000	1
02	330969	Clamp D25-38 - stainless steel	1

Item	CODE	DESCRIPTION	Qty.

DRIVE TRANSMISSION - 1100 RPM

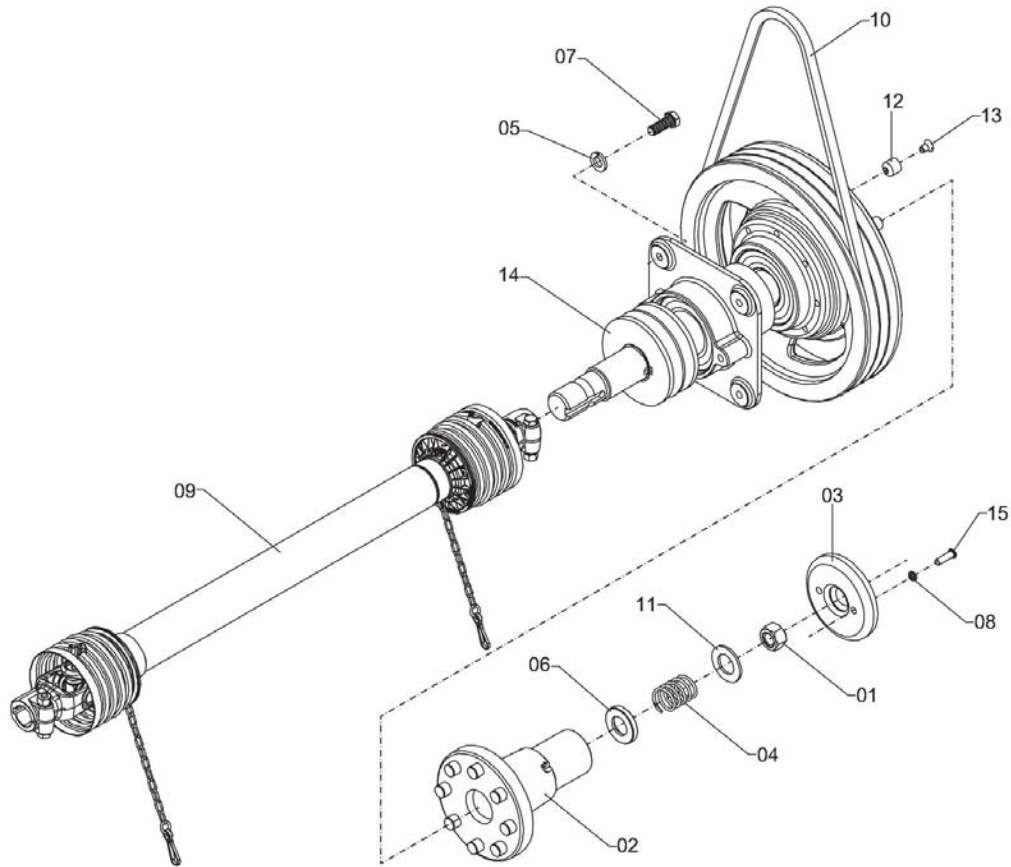


TMT-219

Item	CODE	DESCRIPTION	Qty.	Item	CODE	DESCRIPTION	Qty.
00	177113	Drive transmission - 1100 RPM	1				
01	150623	Pulley 90-2A x 35	1				
02	148619	Spacer	1				
03	203737	Fixed bearing	1				
04	734376	Engine bearing body	1				
05	324624	Square key 7,94 (5/16") x 40	1				
06	015305	Square key 5/16" x 30	1				
07	140731	Shaft 395	1				
08	202549	Fixed bearing	3				
09	328021	Spacer ring 41 x 12.6/12.8	2				
10	910174	Snap ring for hole \varnothing 62	2				
11	140467	Pulley 200-3-3V	1				
12	203067	Snap ring for shaft \varnothing 35	1				

Controlled copy – Distribution and reproduction prohibited

DRIVE TRANSMISSION AND COMPLEMENTS (1100 RPM)

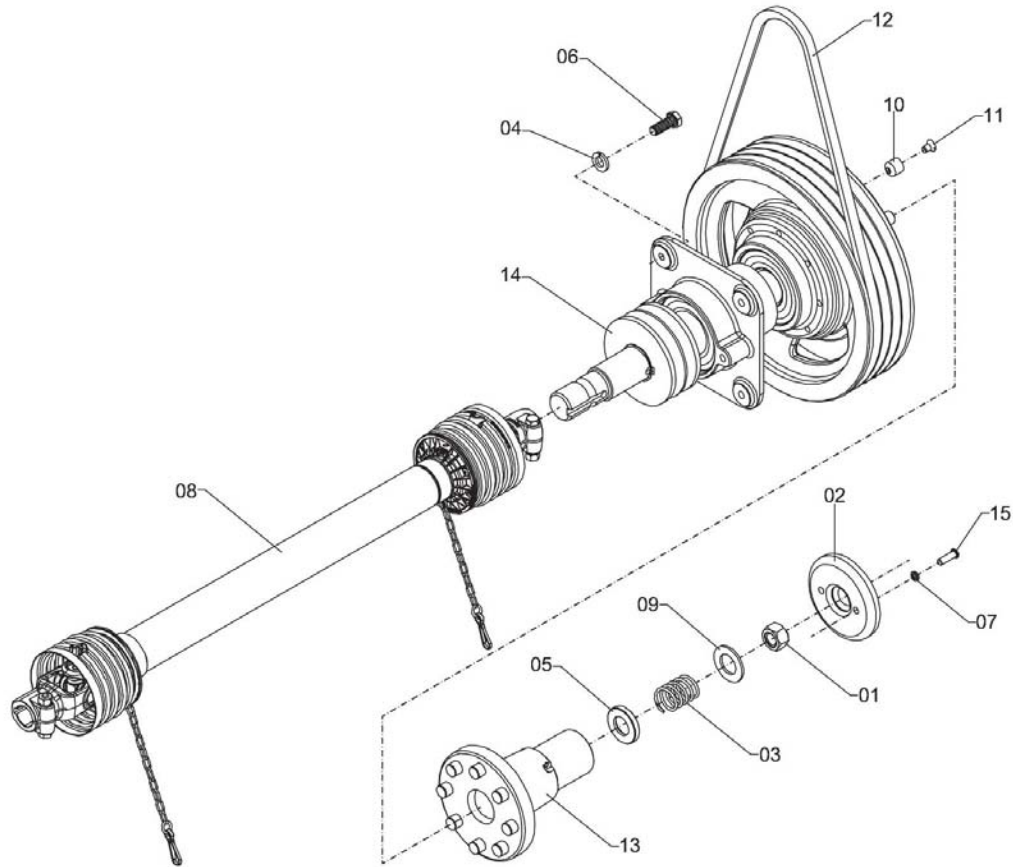


TMT-341

Item	CODE	DESCRIPTION	Qty.	Item	CODE	DESCRIPTION	Qty.
00	150755	Drive transmission and complements (1100 RPM)	1				
01	108787	Nut DODI-LOC \varnothing 1/2" - 13 UNC	1				
02	201087	Disc \varnothing 70	1				
03	204537	Compression spring	1				
04	908566	Lock washer 3/8"	4				
05	425892	Spring seat ring	1				
06	912709	Bolt \varnothing 3/8" - 16 UNC x 1"	4				
07	520676	Lock washer \varnothing 5	2				
09	881243	Flat washer - \varnothing 17 x \varnothing 30 x 1.9 steel	1				
10	937607	Bushing 17.6 x 16	8				
11	939140	Screw M6 x 16	8				
12	941864	Trapeze belt (HC-3V-560)	2				
13	177055	Grooved hub with hitch	1				
14	177113	Drive transmission - 1100 RPM	1				
15	007179	Screw 3/16" UNC x 5/8"	2				

Controlled copy – Distribution and reproduction prohibited

DRIVE TRANSMISSION AND COMPLEMENTS

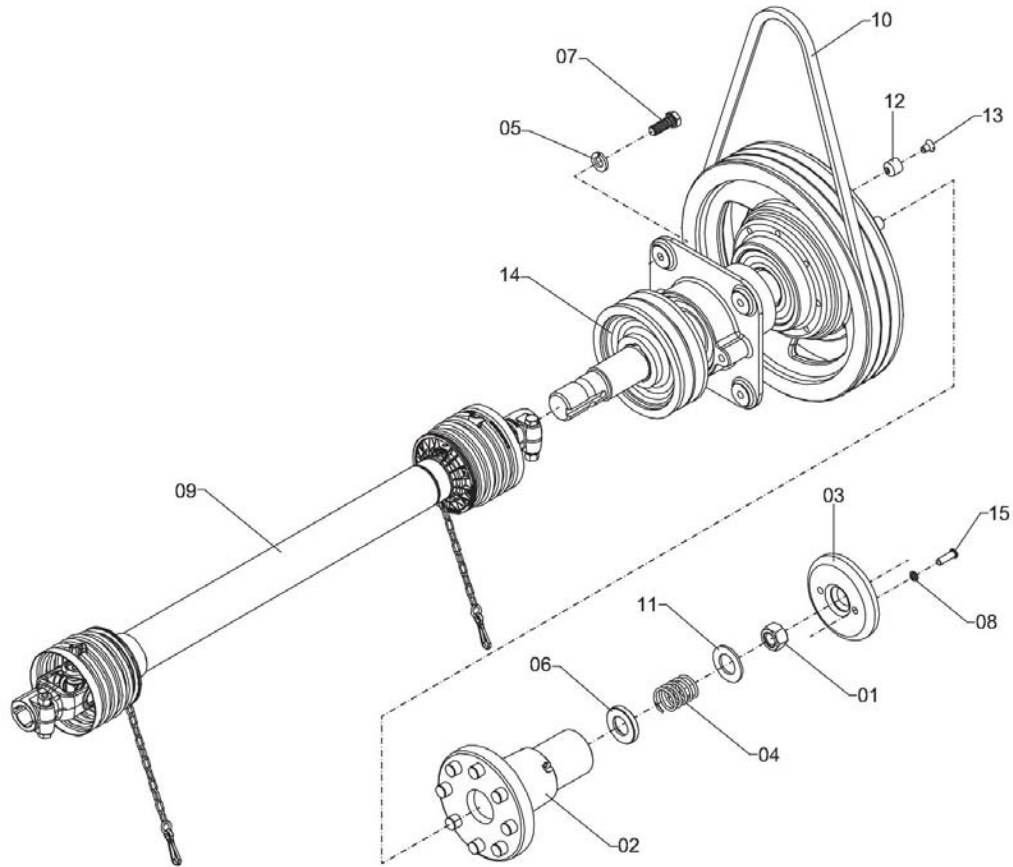


TMT-342

Item	CODE	DESCRIPTION	Qty.	Item	CODE	DESCRIPTION	Qty.
00	260810	Drive transmission and complements	1				
01	108787	Nut DODI-LOC \varnothing 1/2" - 13 UNC	1				
02	201087	Disc \varnothing 70	1				
03	204537	Compression spring	1				
04	908566	Lock washer 3/8"	4				
05	425892	Spring seat ring	1				
06	912709	Bolt \varnothing 3/8" - 16 UNC x 1"	4				
07	520676	Lock washer \varnothing 5	2				
09	881243	Flat washer – \varnothing 17 x \varnothing 30 x 1.9 steel	1				
10	937607	Bushing 17.6 x 16	8				
11	939140	Screw M6 x 16	8				
12	941864	Trapeze belt (HC-3V-560)	2				
13	177055	Grooved hub with hitch	1				
14	261420	Motor Transmission (540 RPM - High flow)	1				
15	007179	Screw 3/16" UNC x 5/8"	2				

Controlled copy – Distribution and reproduction prohibited

DRIVE TRANSMISSION AND COMPLEMENTS

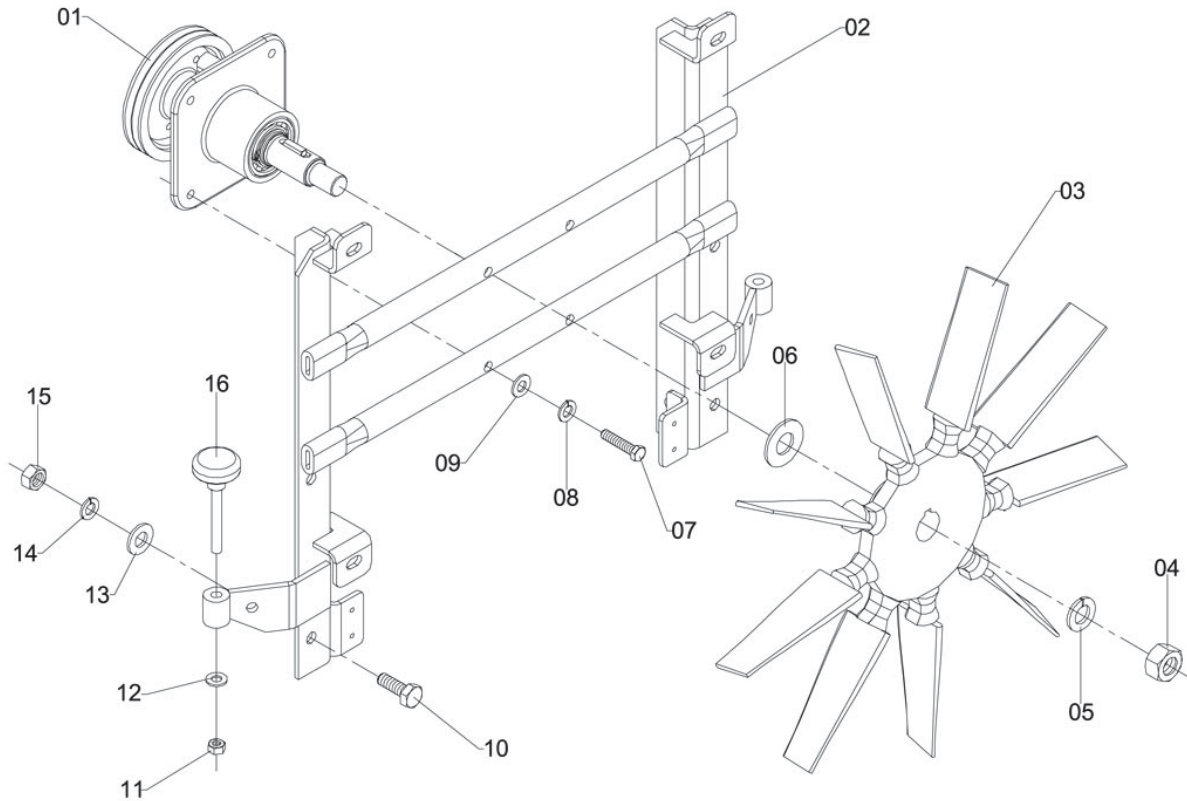


TMT-340

Item	CODE	DESCRIPTION	Qty.	Item	CODE	DESCRIPTION	Qty.
00	142422	Drive transmission and complements	1				
01	108787	Nut DODI-LOC \varnothing 1/2" - 13 UNC	1				
02	177055	Grooved hub with hitch	1				
03	201087	Disc \varnothing 70	1				
04	204537	Compression spring	1				
05	908566	Lock washer 3/8"	4				
06	425892	Spring seat ring	1				
07	912709	Bolt \varnothing 3/8" - 16 UNC x 1"	4				
08	520676	Lock washer \varnothing 5	2				
10	650614	Trapeze belt Super HC 3V-530	4				
11	881243	Flat washer – \varnothing 17 x \varnothing 30 x 1.9 steel	1				
12	937607	Bushing 17.6 x 16	8				
13	939140	Screw M6 x 16	8				
14	177048	Drive transmission (540 RPM)	1				
15	007179	Screw 3/16" UNC x 5/8"	2				

Controlled copy – Distribution and reproduction prohibited

DRIVEN TRANSMISSION AND COMPLEMENTS

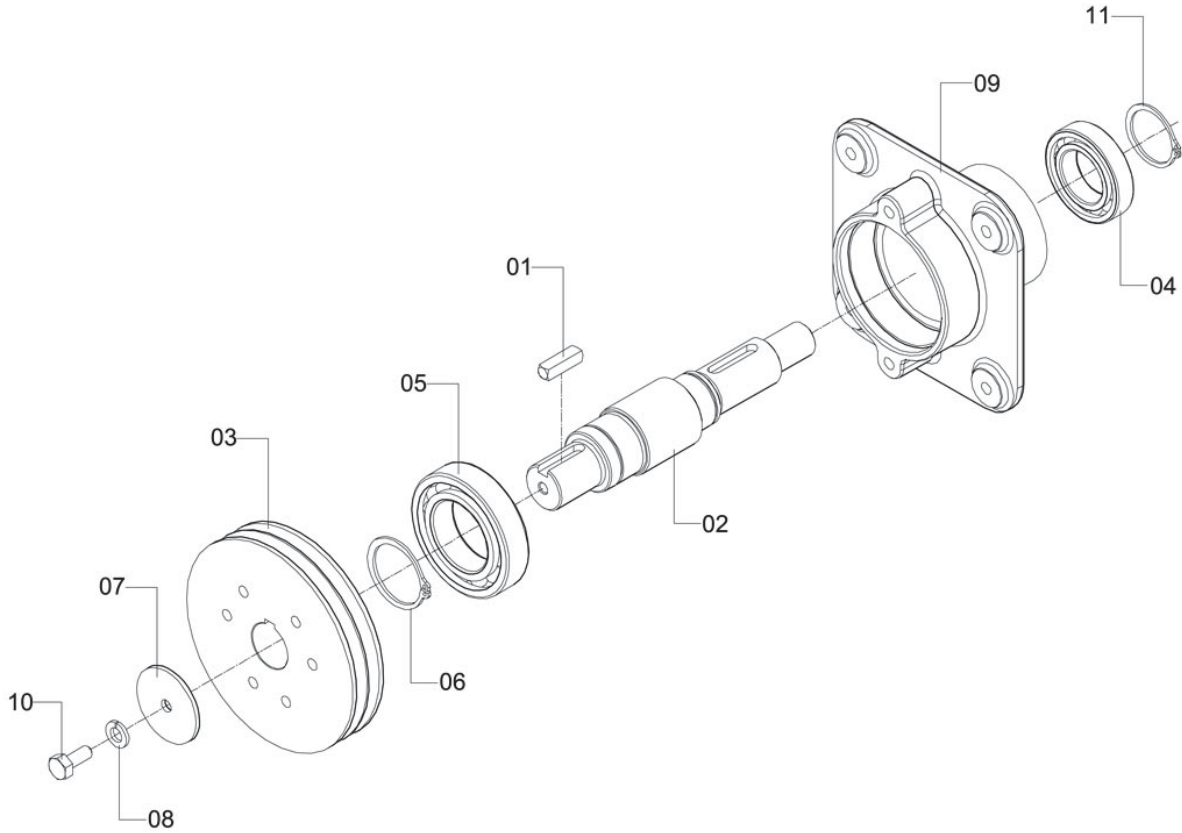


TMV-80

Item	CODE	DESCRIPTION	Qty.	Item	CODE	DESCRIPTION	Qty.
00	150763	Driven transmission and complements	1				
01	150771	Antifriction bearing no.24	1				
02	083584	Transmission support frame	1				
03	083774	Fan 550/9	1				
04	652594	Hex. nut M-22 x 1.5	1				
05	917526	Lock washer 7/8"	1				
06	881318	Flat washer 235 x 500 x 31	1				
07	912717	Bolt 3/8" x 16 UNC x 1.3/4"	4				
08	908566	Lock washer 3/8"	4				
09	623884	Flat washer ϖ 10.5 x 21 x 2 - stainless steel	4				
10	086439	Hex. bolt M12 x 30 x 1.75	4				
11	326280	Nut ϖ 1/2" UNC	2				
12	881292	Flat washer 135 x 320 x 30	2				
13	818112	Flat washer 130 x 240 x 30	4				
14	209163	Lock washer M12	4				
15	937722	Hex. nut M-12 x 1.75	4				
16	941948	Tightening screw ϖ 1/2" - 13 UNC	2				

Controlled copy – Distribution and reproduction prohibited

ANTIFRICTION BEARING NO.24

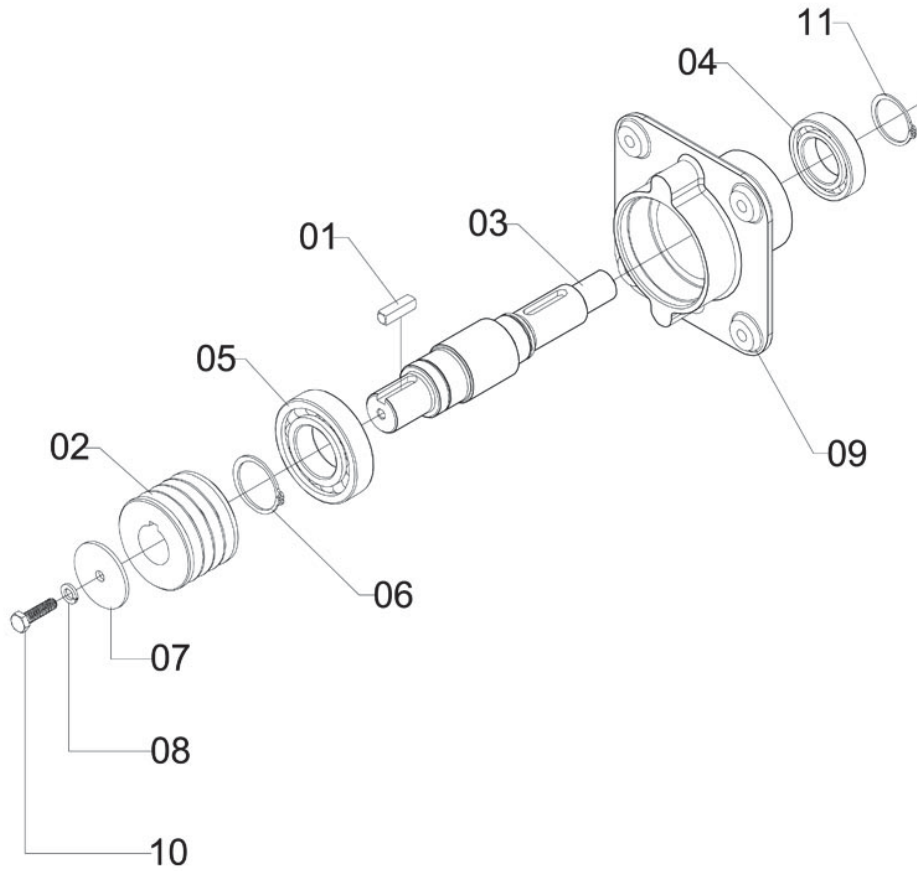


TMV-60

Item	CODE	DESCRIPTION	Qty.	Item	CODE	DESCRIPTION	Qty.
00	150771	Antifriction bearing no.24	1				
01	015305	Square key 5/16" x 30	1				
02	083444	Shaft 221	1				
03	150631	Pulley 141-2-3V	1				
04	202549	Fixed bearing	1				
05	203737	Fixed bearing	1				
06	209569	Snap ring for shaft ω 50	1				
07	507665	Flat washer 82 x 506 x 30	1				
08	519736	Lock washer ω	1				
09	734376	Engine bearing body	1				
10	829374	Hex. head bolt M8 x 20 x 1.25 -cl 8.8	1				
11	910166	Snap ring for shaft	1				

Controlled copy – Distribution and reproduction prohibited

BEARING BRACKET NO. 22

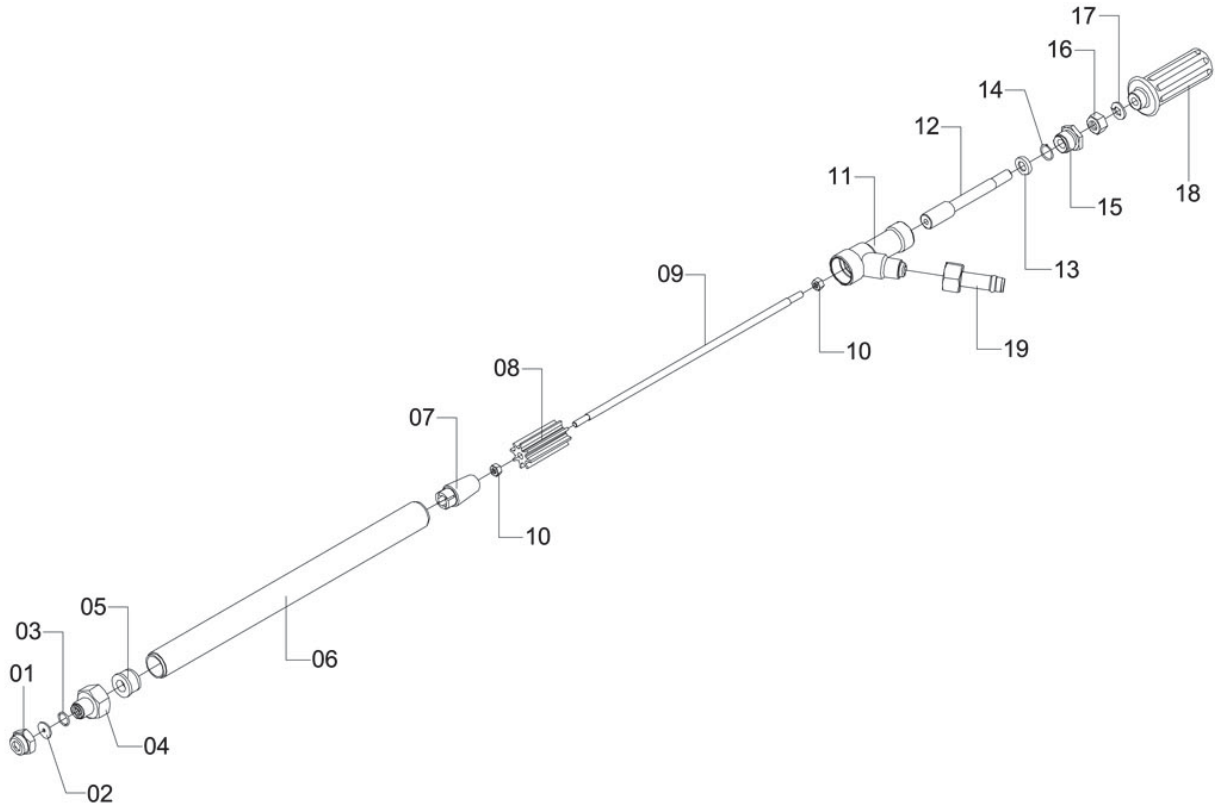


TMV-42

Item	CODE	DESCRIPTION	Qty.	Item	CODE	DESCRIPTION	Qty.
00	084103	Bearing bracket no. 22	1				
01	015305	Square key 5/16" x 30	1				
02	083436	Pulley 70-4-3V	1				
03	083444	Shaft 221	1				
04	202549	Fixed bearing	1				
05	203737	Fixed bearing	1				
06	209569	Snap ring for shaft ω 50	1				
07	507665	Flat washer 82 x 506 x 30	1				
08	519736	Lock washer ω	1				
09	734376	Engine bearing body	1				
10	810705	Bolt M-8 x 30 x 1,25	1				
11	910166	Snap ring for shaft	1				

Controlled copy – Distribution and reproduction prohibited

SPRAY GUN FOR CITRUS

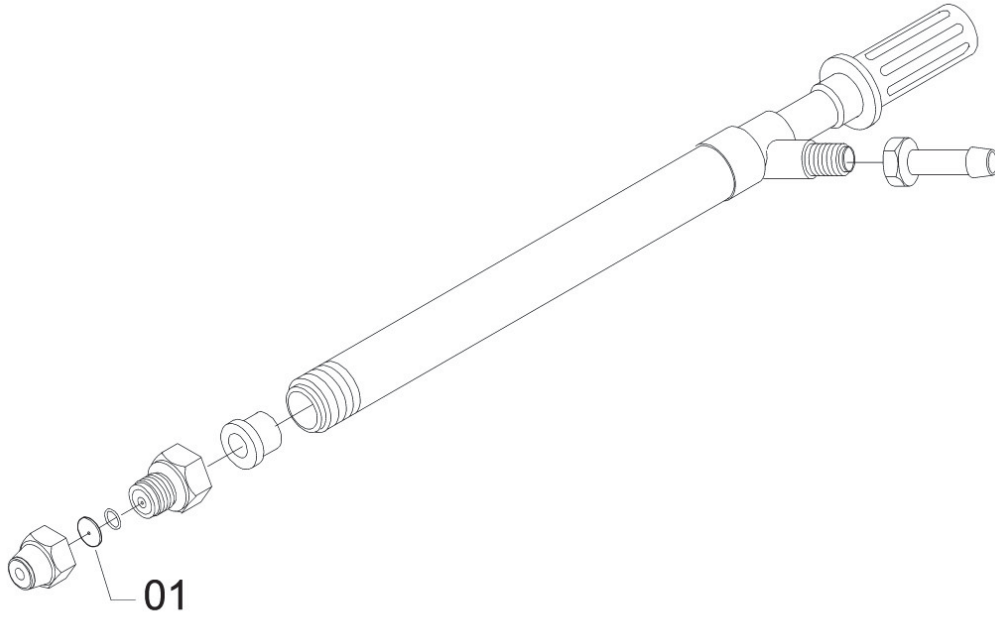


P-10

Item	CODE	DESCRIPTION	Qty.	Item	CODE	DESCRIPTION	Qty.
00	114520	Spray Gun for Citrus	1				
01	114678	Nut 3/4" UNF	1				
02	622837	Disk 11	1				
03	011676	O-ring OR1-111	1				
04	114660	Nozzle body	1				
05	114652	Bushing	1				
06	114629	Duct	1				
07	114645	Swirl core	1				
08	114637	Guide	1				
09	114611	Extension	1				
10	204131	Nut 1/4" UNF x 4,9	2				
11	114595	Spray gun valve body	1				
12	114553	Screw w 7/16" UNC x 3/4" x 125	1				
13	114587	Ring 20.6 x 4	1				
14	114579	Gasket 3/16" x 50 mm	1				
15	114561	Nut 7/8" UNF	1				
16	916627	Nut 7/16" - 14 UNC	1				
17	912998	Lock washer 7/16"	1				
18	114538	Spray gun handle with thread 7/16"	1				
19	413310	Hose fitting w 12.7 (1/2")	1				

Controlled copy – Distribution and reproduction prohibited

DISKS SET



P-8

Item	CODE	DESCRIPTION	Qty.	Item	CODE	DESCRIPTION	Qty.
00	525857	Disks set	1				
01	114686	Disk 10	1				
01A	202259	Disk no. 8 (citrus spray gun)	1				
01B	202267	Disk no. 6 (citrus spray gun)	1				
01C	202275	Disk no. 5 (citrus spray gun)	1				
01D	622811	Disk no. 7 (citrus spray gun)	1				
01E	622829	Disk 9	1				
01F	622837	Disk 11	1				

Controlled copy – Distribution and reproduction prohibited

STICKER (BE CAREFUL WHEN OPENING THE TANK LID)

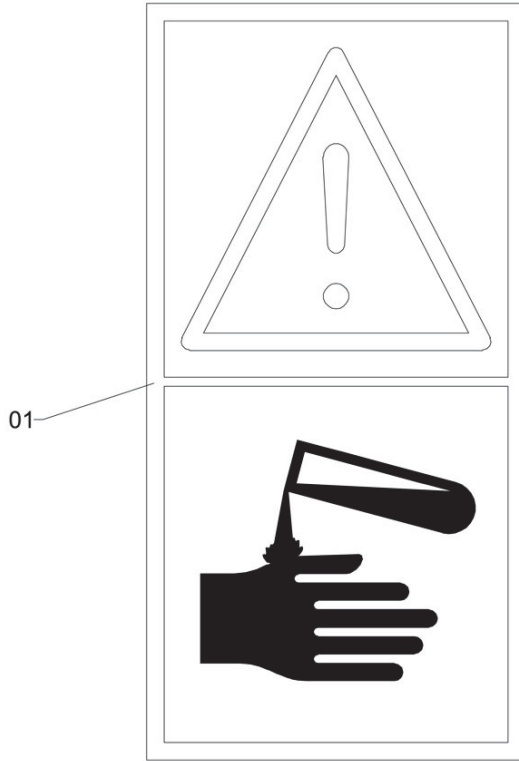


ADS-200

Item	CODE	DESCRIPTION	Qty.
00	379172	Sticker (Be careful when opening the tank lid)	1
01	379172	Decal "Attention: Be careful when opening the lid of the main tank."	1

Item	CODE	DESCRIPTION	Qty.

STICKER (HAZARDOUS SUBSTANCES)



ADS-201

Item	CODE	DESCRIPTION	Qty.	Item	CODE	DESCRIPTION	Qty.
00	1163706	Sticker (Hazardous substances)	1				
01	1163706	Sticker "Hazardous Substances"	1				