

Arbus 400

English version

EDITION - 06/2017

CODE - 0

Parts catalog



MAQUINAS AGRICOLAS JACTO S/A

Rua Dr. Luiz Miranda, 1650 - Pirajá

17580-000 - Pompéia - SP

Tel.: (014) 3405 2100

jacto@jacto.com.br

www.jacto.com

ARBUS 400

EQUIPMENT	PAGE
Arbus 400.....	4

Arbus 400

(Edition: 2017/06)

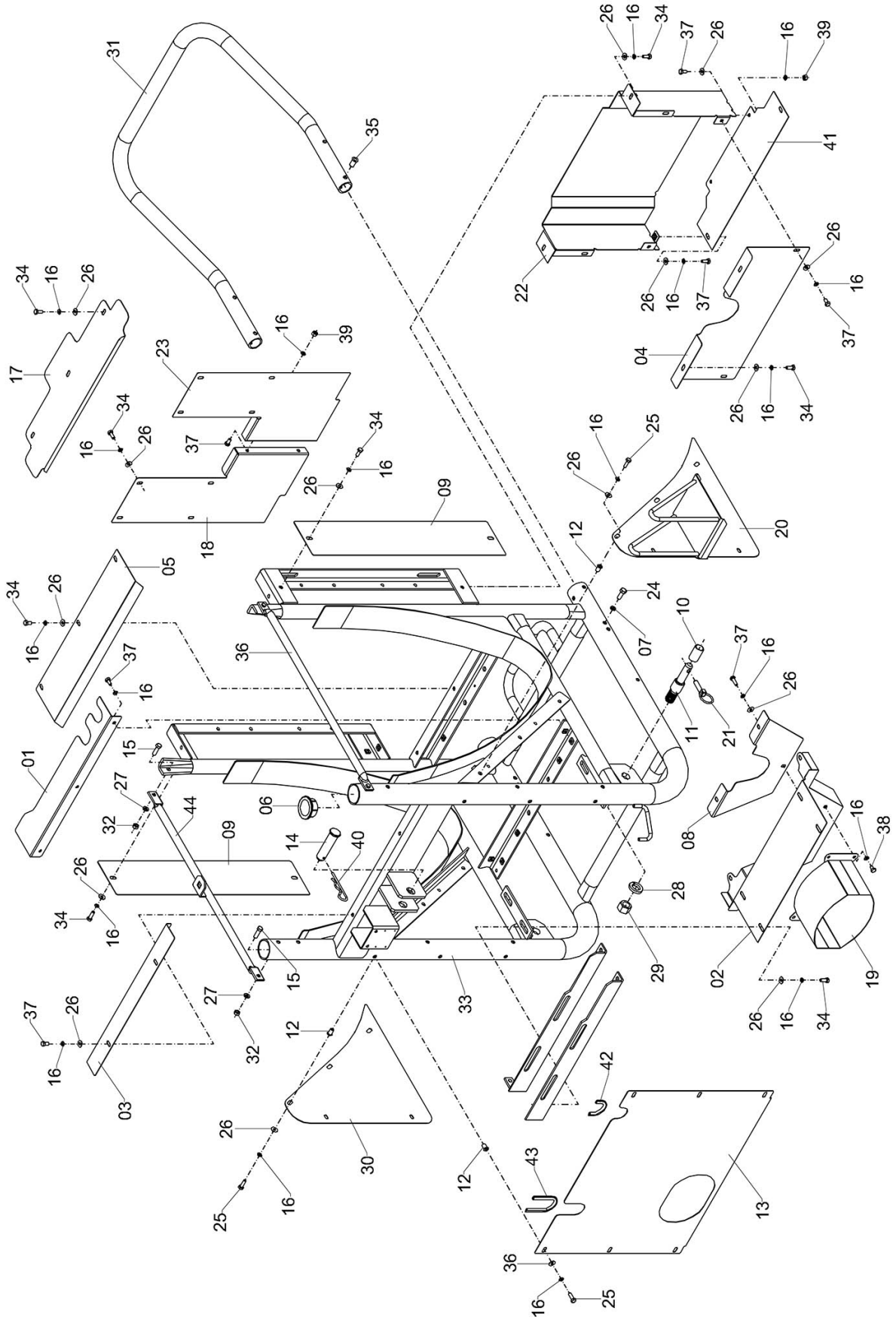
ENTIRE ASSEMBLIES	PAGE
ACCESSORIES BOX	
15 - LITER TANK	91
ACCESSORY BOX	42
ASSEMBLY - COMBINATION WRENCH + SCREW WRENCH (FOR EXPORT)	90
EJECTOR FOR 75 L/MIN (10-METER HOSE)	85
EJECTOR FOR 75 L/MIN (5-METER HOSE)	89
FILLER UNIT FOR 75 L/MIN (WITHOUT HOSE)	88
FILLER UNIT BODY	87
HOSE - Ø 1/2" WITH NOZZLE AND NUT 1.1/4"	84
HOSE Ø 1/2" WITH FITTING AND WING NUT 1.1/4"	86
CHASSIS AND COMPLEMENTS	
CHASSIS AND COMPLEMENTS	6
DRIVE TRANSMISSION AND COMPLEMENTS	
MOTOR TRANSMISSION	92
MOTOR TRANSMISSION AND COMPLEMENTS	93
DRIVEN TRANSMISSION AND COMPLEMENTS	
DRIVEN TRANSMISSION AND COMPLEMENTS	44
FAN BEARING HOUSING WITH PULLEY Ø 94	94
FAN WITH PLASTIC BLADES	95
SPLINED HUB WITH HITCH	96
PTO SHAFT Y COMPLEMENTS	
CONVENTIONAL DRIVE SHAFT - 510 102 Z =6 X Ø30	83
CONVENTIONAL DRIVE SHAFT - 510 102 Z= 8 X Ø30	82
CONVENTIONAL DRIVE SHAFT - 710 102 Z=6 X Ø30	81
SPRAY APPLICATION ASSEMBLY	
APPLICATION ASSEMBLY - A-400/PH	18
APPLICATION ASSEMBLY (BRANCH 11 VALVE / 22 NOZZLES)	14
APPLICATION ASSEMBLY (BRANCH 8 VALVE / 16 NOZZLES)	16
BIJET NOZZLE HOLDER	60
BRANCH ASSEMBLY (9 NOZZLE HOLDERS)	20
DEFLECTOR TOWER ASSEMBLY (9 NOZZLE HOLDERS/36 NOZZLE)	51
GUARD SCREEN - ASSEMBLY	62
IN-LINE FILTER II - 80 MESH - NOZZLE 1/2"	48
LEFT BRANCH ASSEMBLY (8 NOZZLE)	55
LEFT NOZZLE BRANCH ASSEMBLY - 9 NOZZLE	63
LEFT NOZZLE BRANCH ASSEMBLY FOR 11 NOZZLES	53
LEFT NOZZLE BRANCH ASSEMBLY FOR 7 BIJET NOZZLE HOLDER	59
LEFT NOZZLE BRANCH ASSEMBLY FOR 8 NOZZLE HOLDERS	58
LEFT WING ASSEMBLY	10
NOZZLE HOLDER (END) WITH ANTI-DRIP VALVE	50
REAR APPLICATION ASSEMBLY	12
RIGHT BRANCH ASSEMBLY (11 NOZZLE)	52
RIGHT BRANCH ASSEMBLY (8 NOZZLE)	54
RIGHT NOZZLE BRANCH ASSEMBLY - 9 NOZZLES	64
RIGHT NOZZLE BRANCH ASSEMBLY FOR 7 NOZZLES - BIJET	61
RIGHT NOZZLE BRANCH ASSEMBLY FOR 8 NOZZLES	56
RIGHT WING ASSEMBLY	8
SIDE PROTECTION GRID ASSEMBLY	65
SPRAY APPLICATION ASSEMBLY (BRANCH 7 DOUBLE NOZZLE HOLDER 28 NOZZLES)	24
SPRAY CIRUIT TOWER KIT (9 NOZZLE HOLDERS/36 NOZZLES)	22
VALVE ASSEMBLY	57
WIDENER ASSEMBLY - 660 S	49

Arbus 400
(Edition: 2017/06)

Continuation

ENTIRE ASSEMBLIES	PAGE
SPRAYING CIRCUIT AND COMPLEMENTS	
ACTUATOR	67
CHEMICAL CIRCUIT (CONTROL VAR 110/500 / JP-75 MOD. B)	34
CHEMICAL CIRCUIT (DIRECTIONAL VALVE)	40
CHEMICAL CIRCUIT (VAR CONTROL - 110/500 / JP-75 MOD. B)	32
CHEMICAL CIRCUIT (VAR CONTROL - 110/500)	38
CHEMICAL CONTAINER CLEANING NOZZLE - NR 8	72
CHEMICAL CONTAINER CLEANING NOZZLE ROD	70
CONTROL (RELIEF/ PRESSURE REGULATOR VALVE)	26
HOSE - PUMP / CONTROL	78
HOSE - PUMP / FILTER	77
HYDRAULIC AGITATOR	68
JP-75 PUMP	36
JP-75 PUMP (B MODEL)	30
LEVER	75
LEVER	74
LID WITH BREATHER	76
RETURN HOSE - 1 X 1350	79
RINSE NOZZLE	71
SUCTION FILTER WITH VALVE FOR 100 L	73
TRANSFER VALVE	66
VALVE - CONTAINER CLEANING NOZZLE	69
VALVE FOR PUMP - Ø 18	80
VAR CONTROL - 110/500	28
STICKERS	
STICKER - ARBUS 400 - LEFT	98
STICKER - ARBUS 400 - RIGHT	97
STICKERS: (ARBUS 400)	46

CHASSIS AND COMPLEMENTS



C3P-132

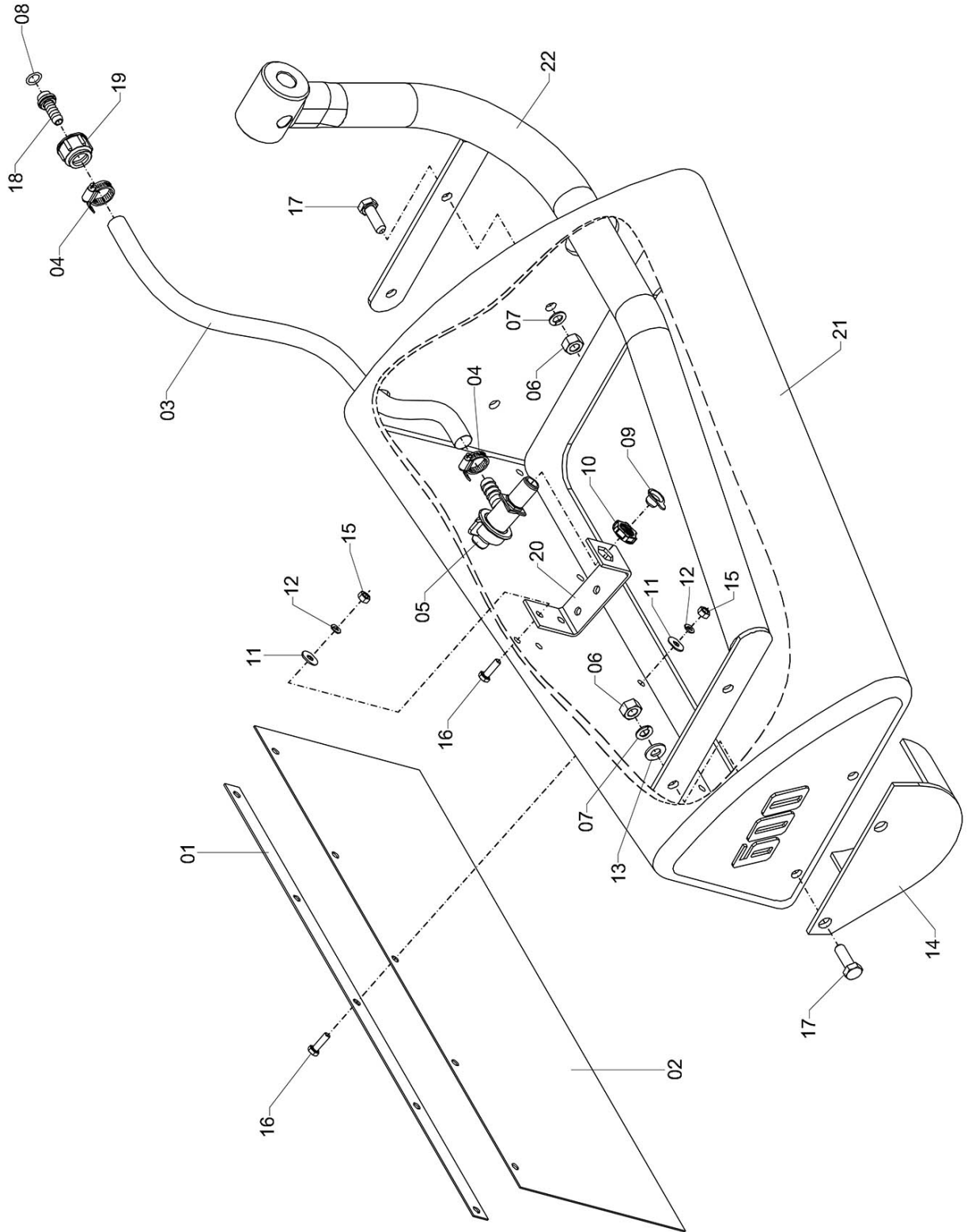
CHASSIS AND COMPLEMENTS

Continuation

Item	CODE	DESCRIPTION	Qty.	Item	CODE	DESCRIPTION	Qty.
00	946442	Chassis and complements	1				
01	1167263	Tank front protection	1				
02	1167269	Driven transmission cowling	1				
03	1167313	Upper front protection	1				
04	1167258	Transmission front plate	1				
05	1167259	Driven transmission lower protection	1				
06	018895	Plastic plug - ø 52.3	2				
07	209395	Locking washer - M10 - steel	4				
08	1167266	Motor transmission lower protection	1				
09	1167256	Deflector side	2				
10	400325	Lower coupling pin sleeve	2				
11	429027	Lower coupling pin - ø 22 x 1	2				
12	182303	Tubular rivet with internal thread - M8	16				
13	1167283	Front protection	1				
14	517383	Upper coupling pin ø1" x 109	1				
15	518753	Bolt - 3/8"- 16 UNC x 1.1/4" - 5 degree	4				
16	519736	Locking washer - Ø8	69				
17	1167253	Deflector protection - Arbus-400	1				
18	1168155	Frame right protection	1				
19	1167273	Drive shaft guard	1				
20	1167279	15-liter container support	1				
21	812636	Universal lock pin - 7/16"	2				
22	1168170	Pulley protector	1				
23	1168161	Frame left protection	1				
24	829515	Hex head bolt - M10 x 1.5 x 25 - CL. 8.8	4				
25	829382	Hex bolt - M8 x 25 x 1.25	16				
26	881276	Flat washer - ø 8.7 x Ø20 x 1.2 - steel	57				
27	908566	Locking washer - 3/8"	4				
28	910075	Locking washer - 1"	2				
29	910430	Nut ø 1" - 8 UNC	2				
30	1167312	Right side protection	1				
31	991927	Bumper body	1				
32	518761	Hex nut - ø 3/8"	4				
33	944371	Chassis	1				
34	829374	Hex bolt - M8 x 20 x 1.25 - CL.8.8	32				
35	991539	Rivet - M10 x 1.5 - Stainless steel	4				
36	991828	Crossarm brace - 737	1				
37	829341	Hex bolt - M8 x 16 x 1.25	14				
38	033696	Hex bolt - M8 x 12 x 1.25	4				
39	810770	Hex nut - M8 x 1.25	6				
40	517409	Cotter pin - 3/16"	1				
41	1168172	Pulley guard plate	1				
42	721928	Rubber profile - 100	1				
43	1180498	Protection gasket - 185 mm	1				
44	097253	Right Crossarm brace	1				

Controlled copy – Distribution and reproduction prohibited

RIGHT WING ASSEMBLY



CA-343

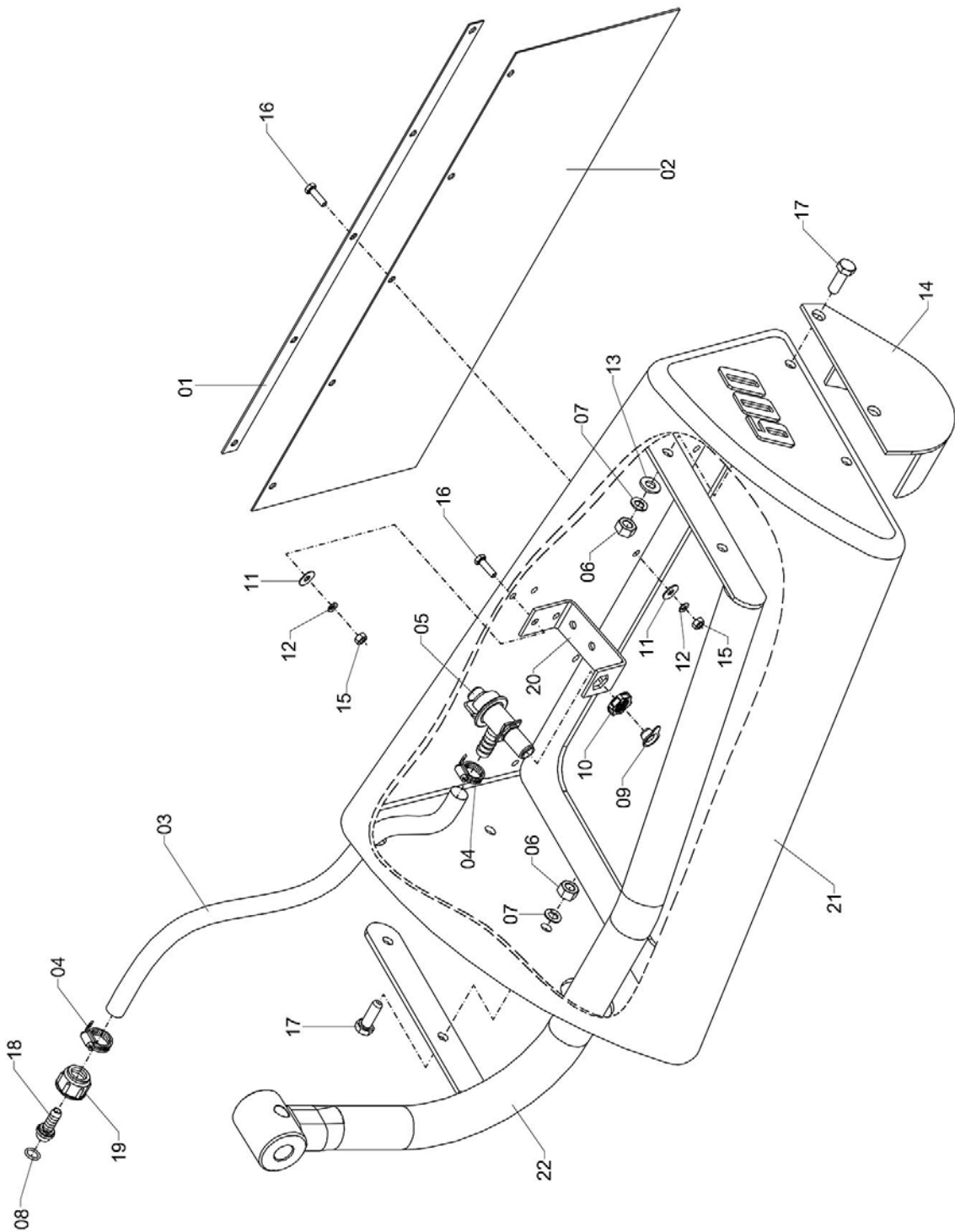
RIGHT WING ASSEMBLY

Continuation

Item	CODE	DESCRIPTION	Qty.	Item	CODE	DESCRIPTION	Qty.
00	1240029	Right wing assembly	1				
01	052548	Wing shield fastener	1				
02	052555	Wing shield	1				
03	083345	Hose - 1/2" x 1140	1				
04	107664	Clamp D14-22 - stainless steel	2				
05	163055	Nozzle holder (end) with anti-drip valve	1				
06	209205	Hex nut - M10 x 1,50	4				
07	209395	Locking washer - M10 - steel	4				
08	322057	Sealing ring - OR1-114	1				
09	330910	Plug for thread 1/2" UNF	1				
10	333823	Round nut	1				
11	413468	Flat washer - ø 6.8 x 18 x 1.2 - treated steel	7				
12	521666	Locking washer - ø6 - steel	7				
13	623884	Flat washer - ø 10.5 x 21 x 3 - stainless steel	2				
14	736223	Right shoe	1				
15	810689	Hex nut - M6 x 1 - CL. 8	7				
16	810697	Hex head bolt - M6 x 1 x 20 - CL. 8.8	7				
17	829515	Hex head bolt - M10 x 1.5 x 25 - CL. 8.8	4				
18	867085	Fitting - 1/2" with flange 23.6	1				
19	891457	Nut - M28 x 2	1				
20	975615	Nozzle holder support	1				
21	987917	Right wing	1				
22	987958	Right support	1				

Controlled copy – Distribution and reproduction prohibited

LEFT WING ASSEMBLY



CA-342

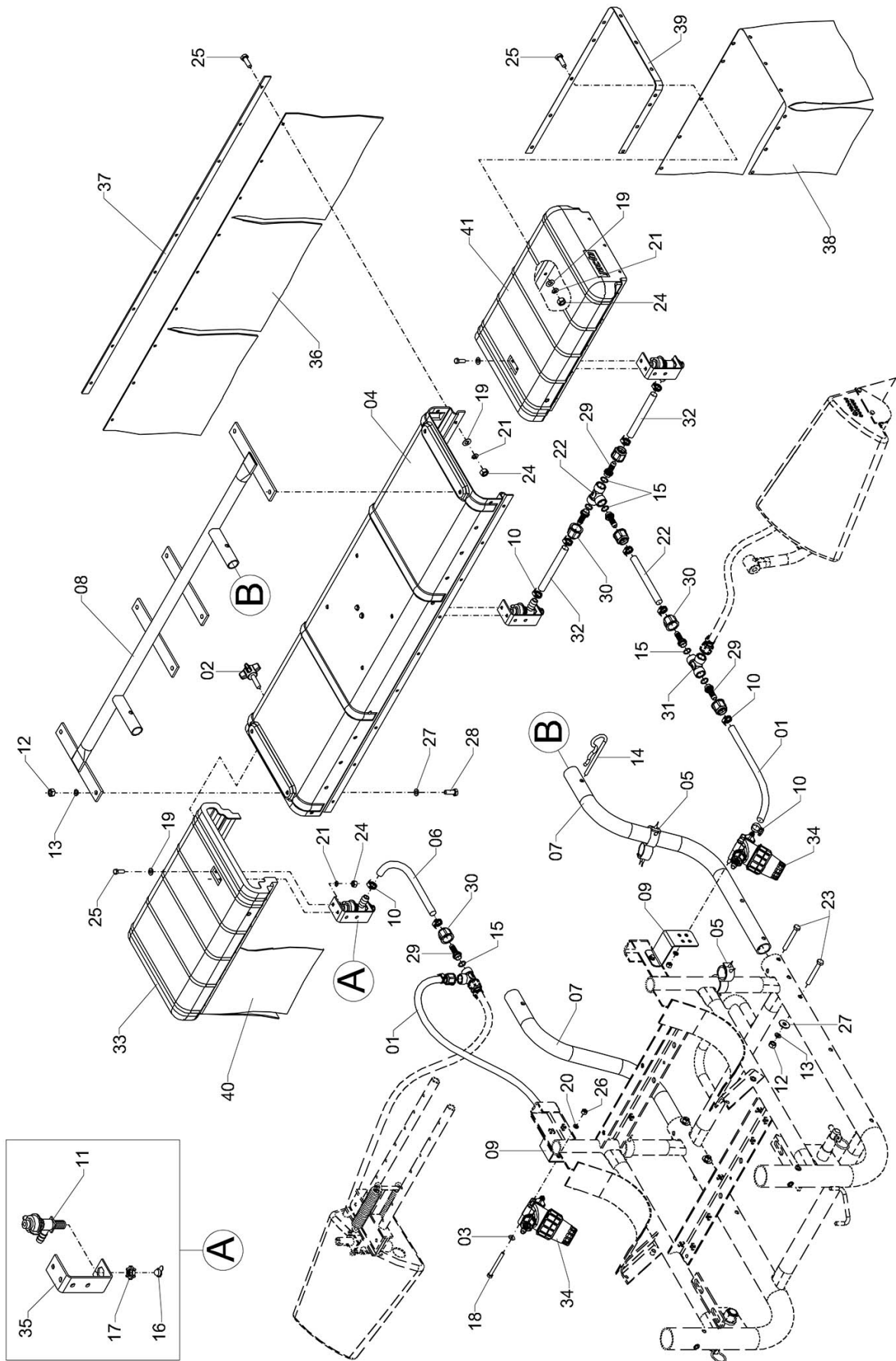
LEFT WING ASSEMBLY

Continuation

Item	CODE	DESCRIPTION	Qty.	Item	CODE	DESCRIPTION	Qty.
00	1240033	Left wing assembly	1				
01	052548	Wing shield fastener	1				
02	052555	Wing shield	1				
03	083345	Hose - 1/2" x 1140	1				
04	107664	Clamp D14-22 - stainless steel	2				
05	163055	Nozzle holder (end) with anti-drip valve	1				
06	209205	Hex nut - M10 x 1,50	4				
07	209395	Locking washer - M10 - steel	4				
08	322057	Sealing ring - OR1-114	1				
09	330910	Plug for thread 1/2" UNF	1				
10	333823	Round nut	1				
11	413468	Flat washer - ø 6.8 x 18 x 1.2 - treated steel	7				
12	521666	Locking washer - ø6 - steel	7				
13	623884	Flat washer - ø 10.5 x 21 x 3 - stainless steel	2				
14	736231	Left shoe	1				
15	810689	Hex nut - M6 x 1 - CL. 8	7				
16	810697	Hex head bolt - M6 x 1 x 20 - CL. 8.8	7				
17	829515	Hex head bolt - M10 x 1.5 x 25 - CL. 8.8	4				
18	867085	Fitting - 1/2" with flange 23.6	1				
19	891457	Nut - M28 x 2	1				
20	975615	Nozzle holder support	1				
21	987925	Wing 600 - Left assembly	1				
22	987966	Left support	1				

Controlled copy – Distribution and reproduction prohibited

REAR APPLICATION ASSEMBLY



CA-349

Controlled copy – Distribution and reproduction prohibited

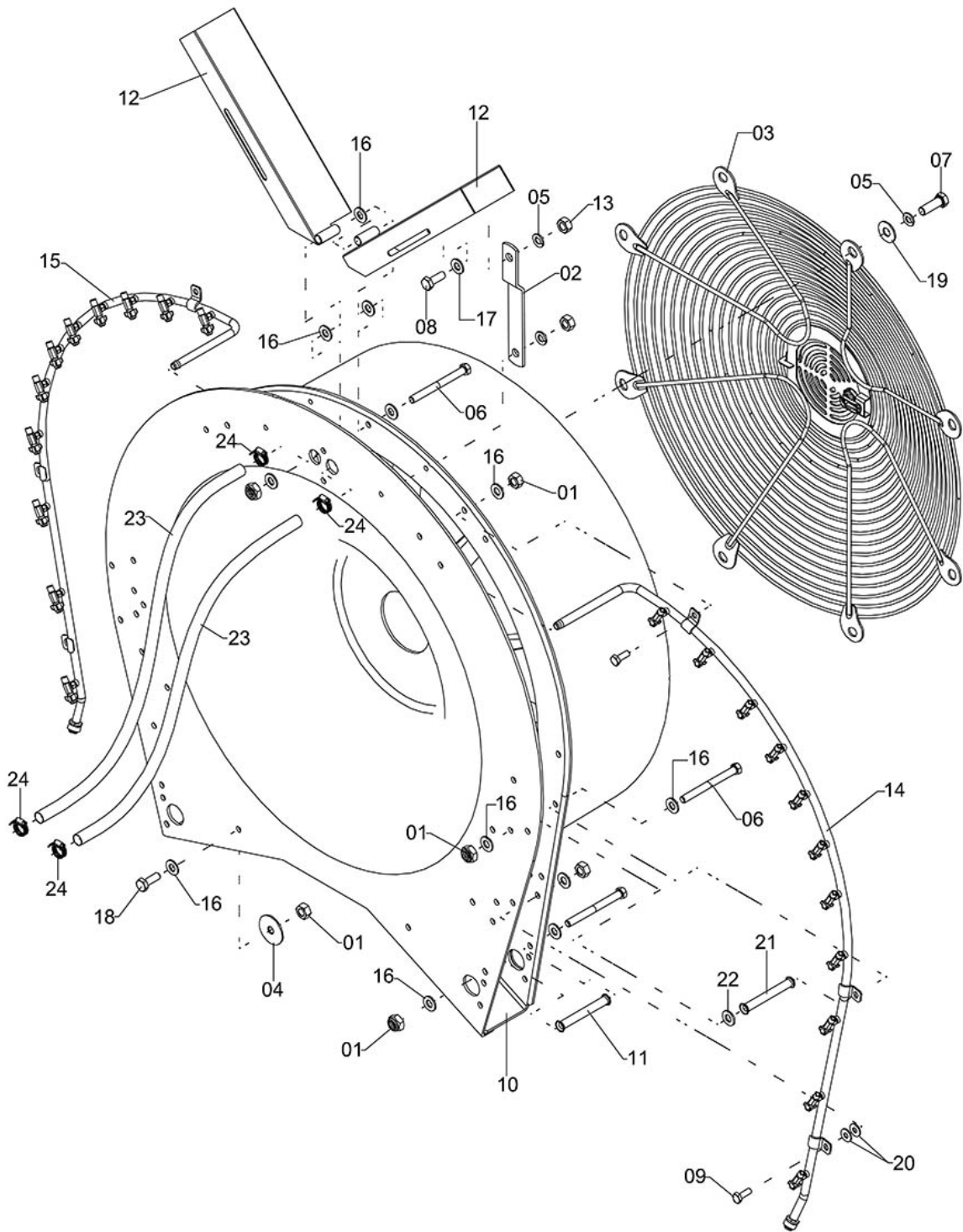
REAR APPLICATION ASSEMBLY

Continuation

Item	CODE	DESCRIPTION	Qty.	Item	CODE	DESCRIPTION	Qty.
00	1240053	Rear application assembly	1				
01	003236	Hose - 1/2" x 150	2				
02	011734	Knobbed screw	4				
03	013433	Flat washer - Ø8.4 x Ø16 x 1.6 steel	4				
04	052720	Central body	1				
05	086546	Hose separator	3				
06	1206080	Hose - 1/2" x 810mmm	1				
07	1237285	Chassis fitting tube	2				
08	1237292	Front lower closing	1				
09	1237289	In-line filter support	2				
10	107664	Clamp D14-22 - stainless steel	12				
11	163055	Nozzle holder (end) with anti-drip valve	3				
12	209205	Hex nut - M10 x 1,50	12				
13	209395	Locking washer - M10 - steel	12				
14	314534	Cotter pin - 300	2				
15	322057	Sealing ring - OR1-114	7				
16	330910	Plug for thread 1/2" UNF	3				
17	333823	Round nut	3				
18	358218	Hex bolt - M8 x 80 x 1.25	4				
19	413468	Flat washer - ø 6.8 x 18 x 1.2 - treated steel	41				
20	519736	Locking washer - Ø8	4				
21	521666	Locking washer - ø6 - steel	41				
22	539676	Hose - ø 1/2" x 200	1				
23	764167	Hex bolt - M10 x 80 x 1.50 - CL 8.8	4				
24	810689	Hex nut - M6 x 1 - CL. 8	41				
25	810697	Hex head bolt - M6 x 1 x 20 - CL. 8.8	41				
26	810770	Hex nut - M8 x 1.25	4				
27	825265	Flat washer - ø 10.5 x Ø30 x 2.5 - Steel	12				
28	829515	Hex head bolt - M10 x 1.5 x 25 - CL. 8.8	8				
29	867085	Fitting - 1/2" with flange 23.6	7				
30	891457	Nut - M28 x 2	7				
31	893958	T-fitting for tube- 3/4"	3				
32	943225	Hose - 1/2" x 500	2				
33	959627	Right and side body	1				
34	973792	In-line filter II - 80 mesh - Nozzle 1/2"	2				
35	975615	Nozzle holder support	3				
36	975870	Central shield	1				
37	975888	Central shield fastener	1				
38	975896	Side shield	1				
39	975904	Side shield fastener	2				
40	976035	Right side shield	1				
41	976167	Left and side body	1				

Controlled copy – Distribution and reproduction prohibited

APPLICATION ASSEMBLY (BRANCH 11 VALVE / 22 NOZZLES)



CA-332

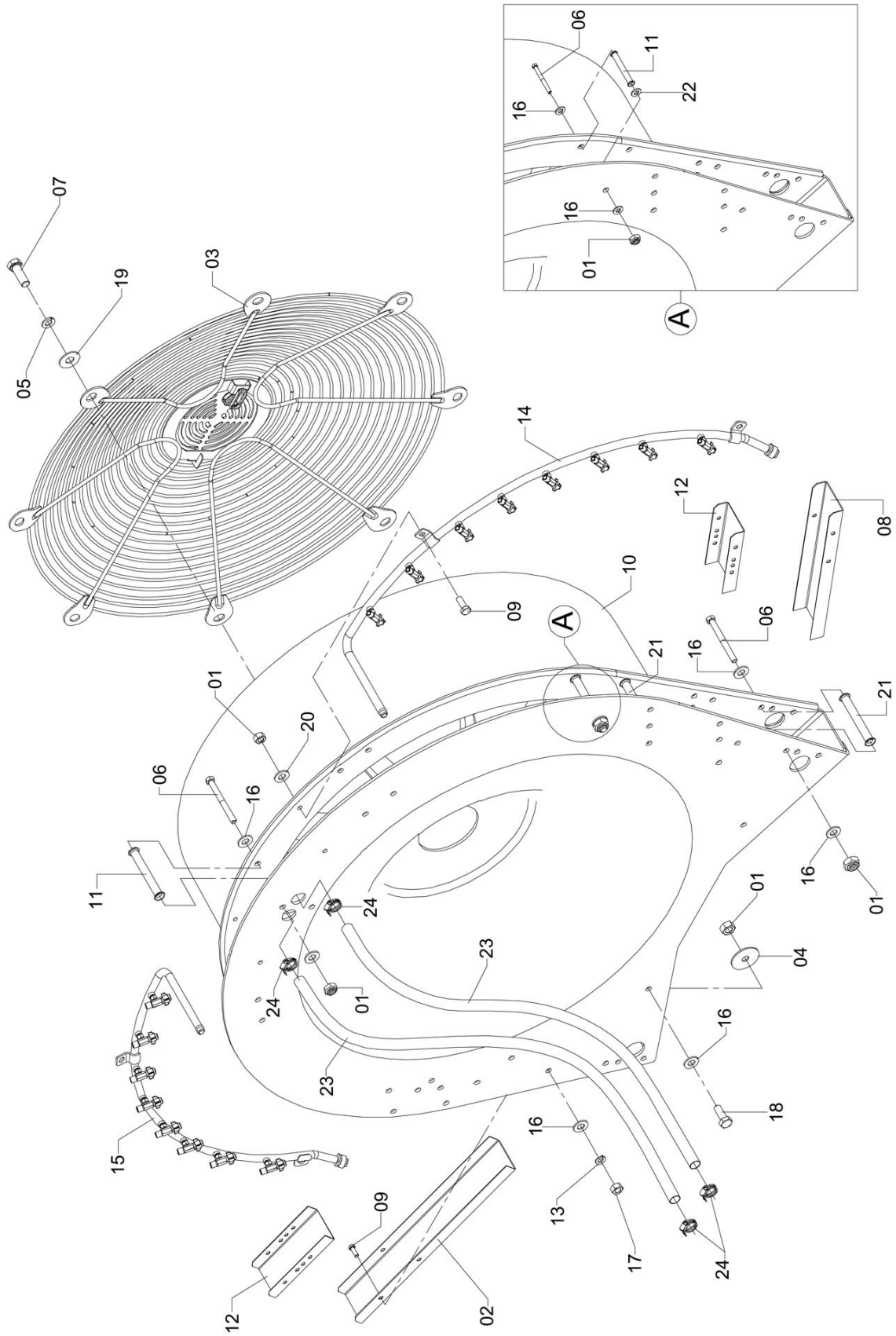
APPLICATION ASSEMBLY (BRANCH 11 VALVE / 22 NOZZLES)

Continuation

Item	CODE	DESCRIPTION	Qty.	Item	CODE	DESCRIPTION	Qty.
00	241786	Application Assembly (Branch 11 valve / 22 nozzles)	1				
01	108761	Nut 3/8" - 16 UNC	14				
02	427971	Support body	2				
03	434068	Guard screen - assembly	1				
04	507855	Flat washer - 103 x 375 x 30	3				
05	519736	Locking washer - Ø8	12				
06	559575	Bolt - 3/8" x 5. 1/4"	7				
07	820282	Bolt - ø 5/6"- 18 UNC x 1.3/4"	8				
08	912667	Bolt - 5/16" x 18 UNC x 7/8	4				
09	912709	Fully treaded bolt - 3/8" - 16 UNC x 1"	2				
10	019190	Deflector	1				
11	327858	Spacer bushing - 96	2				
12	328096	Adjustable flap	2				
13	107102	Hex nut - 5/16" x - 18 UNC	4				
14	271361	Left nozzle branch assembly for 11 nozzles	1				
15	268698	Right branch assembly (11 nozzle)	1				
16	623884	Flat washer - ø 10.5 x 21 x 3 - stainless steel	20				
17	013433	Flat washer - Ø8.4 x Ø16 x 1.6 steel	4				
18	518753	Bolt - 3/8"- 16 UNC x 1.1/4" - 5 degree	3				
19	420281	Flat washer - Ø8.2 X Ø35 X 3 - steel	8				
20	184290	Flat washer - ø 10.5 x 30 x 2.5 - stainless steel	4				
21	019414	Spacer bushing 91mm	4				
22	274274	Flat washer - Ø13.40 x Ø27 x 1.90 - stainless steel	4				
23	814459	Hose - 1/2" x 1250	2				
24	107664	Clamp D14-22 - stainless steel	4				

Controlled copy – Distribution and reproduction prohibited

APPLICATION ASSEMBLY (BRANCH 8 VALVE / 16 NOZZLES)



CA-331

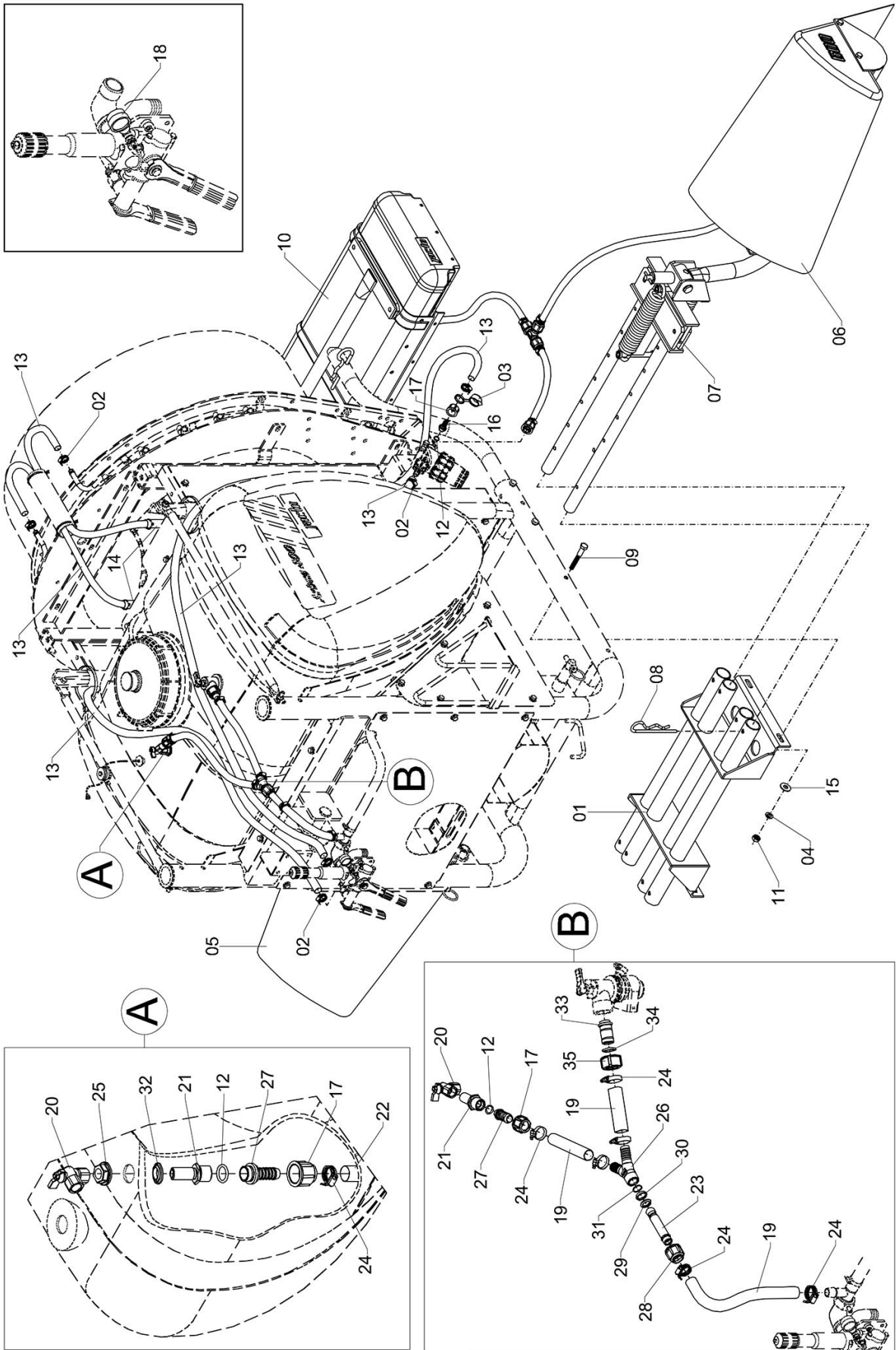
APPLICATION ASSEMBLY (BRANCH 8 VALVE / 16 NOZZLES)

Continuation

Item	CODE	DESCRIPTION	Qty.	Item	CODE	DESCRIPTION	Qty.
00	241810	Application Assembly (Branch 8 valve / 16 nozzles)	1				
01	108761	Nut 3/8" - 16 UNC	7				
02	946475	Wiper blade - 550 (right)	1				
03	434068	Guard screen - assembly	1				
04	507855	Flat washer - 103 x 375 x 30	3				
05	519736	Locking washer - Ø8	8				
06	559575	Bolt - 3/8" x 5. 1/4"	7				
07	820282	Bolt - ø 5/6"- 18 UNC x 1.3/4"	8				
08	946483	Wiper blade - 450 (left)	1				
09	912709	Fully treaded bolt - 3/8" - 16 UNC x 1"	14				
10	019190	Deflector	1				
11	327858	Spacer bushing - 96	3				
12	946491	Wiper blade - 210	2				
13	908566	Locking washer - 3/8"	14				
14	186510	Left branch assembly (8 nozzle)	1				
15	143487	Right branch assembly (8 nozzle)	1				
16	623884	Flat washer - ø 10.5 x 21 x 3 - stainless steel	28				
17	518761	Hex nut - ø 3/8"	14				
18	518753	Bolt - 3/8"- 16 UNC x 1.1/4" - 5 degree	3				
19	420281	Flat washer - Ø8.2 X Ø35 X 3 - steel	8				
20	1161451	Flat washer - ø 8.7 x ø 32 x 1.98 - stainless steel	4				
21	019414	Spacer bushing 91mm	4				
22	274274	Flat washer - Ø13.40 x Ø27 x 1.90 - stainless steel	4				
23	814459	Hose - 1/2" x 1250	2				
24	107664	Clamp D14-22 - stainless steel	4				

Controlled copy – Distribution and reproduction prohibited

APPLICATION ASSEMBLY - A-400/PH



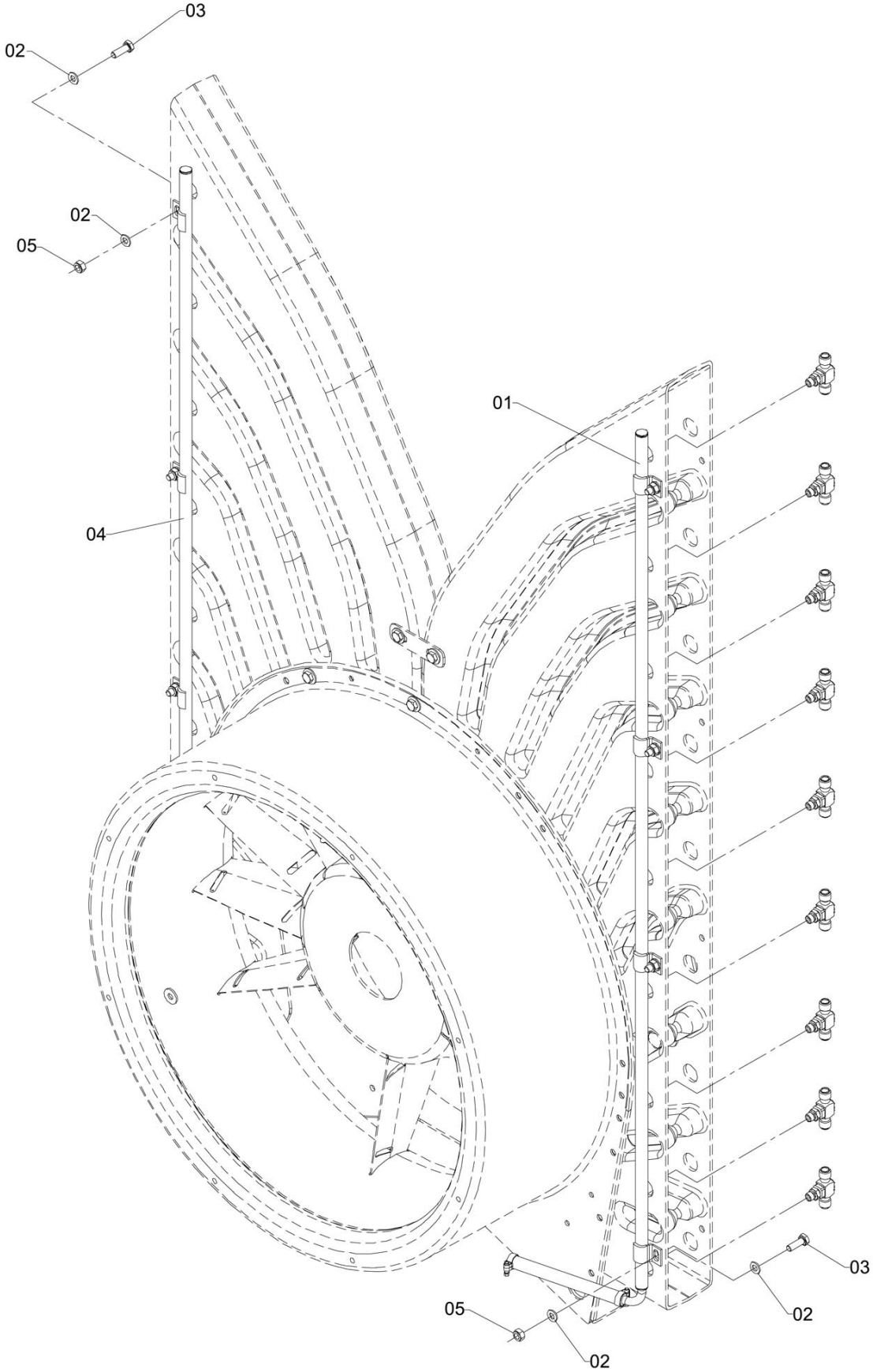
CA-348

APPLICATION ASSEMBLY - A-400/PH

Continuation

Item	CODE	DESCRIPTION	Qty.	Item	CODE	DESCRIPTION	Qty.
00	1239994	Application assembly - A-400/PH	1				
01	044198	Left closing - Alargador	1				
02	107664	Clamp D14-22 - stainless steel	8				
03	082354	Plug protector - 16 ways	2				
04	209395	Locking washer - M10 - steel	4				
05	1240029	Right wing assembly	1				
06	1240033	Left wing assembly	1				
07	975920	Widener assembly - 660 S	1				
08	314534	Cotter pin - 300	4				
09	764167	Hex bolt - M10 x 80 x 1.50 - CL 8.8	4				
10	1240053	Rear application assembly	1				
11	209205	Hex nut - M10 x 1,50	4				
12	322057	Sealing ring - OR1-114	6				
13	938324	Hose - 1/2" x 1870	4				
14	131789	Protection hose - 1.1/2" x 1100	2				
15	623884	Flat washer - ø 10.5 x 21 x 3 - stainless steel	4				
16	867085	Fitting - 1/2" with flange 23.6	2				
17	874339	Nut for in-line filter	6				
18	551945	Glycerin- filled pressure gauge - 40 kgf/cm ²	1				
20	1229966	Female ball valve - 1/2" BSPT-14	1				
21	1240425	Fitting - SP 1/2" 14 x BSP 3/4" 14 brass	2				
22	135657	Hose - ø 3/4" x 1000 - black	1				
23	239087	Fitting - 3/4" x 100	1				
24	423814	Clamp D22-32 - stainless steel	7				
25	428748	Flanged nut 1/2" BSP -14 F.P.P.	1				
26	474841	Y-fitting - 3/4"	1				
27	867093	Fitting - 3/4" with flange 23.6	2				
28	891457	Nut - M28 x 2	1				
29	892927	Lock ring	1				
30	898080	Thrust ring	1				
31	911131	Sealing ring - "O-RING - OR1-018	1				
32	973024	Seal - 36 x 21 x 6	1				
33	404434	Hose fitting	1				
34	402412	Sealing washer - 31 x 22.5 x 22.5/3.0	1				
35	511733	Round nut 1" BSP (40-45)	1				

BRANCH ASSEMBLY (9 NOZZLE HOLDERS)



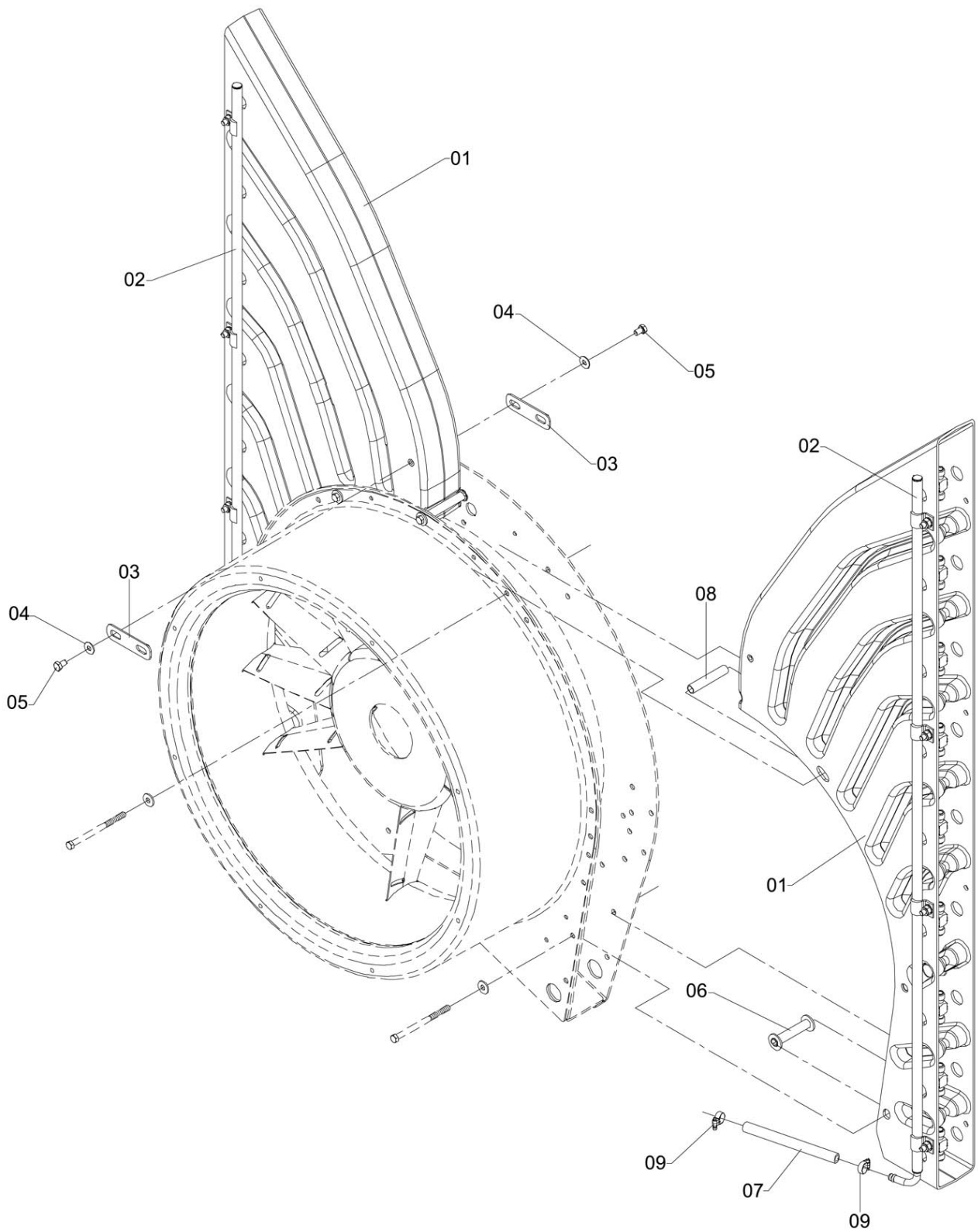
CA-324

BRANCH ASSEMBLY (9 NOZZLE HOLDERS)

Continuation

Item	CODE	DESCRIPTION	Qty.	Item	CODE	DESCRIPTION	Qty.
00	1197807	Branch assembly (9 nozzle holders)	1				
01	1197767	Right nozzle branch assembly - 9 nozzles	1				
02	973313	Flat washer - Ø10.5 x Ø21 x 2 - Steel	16				
03	881508	Hex bolt - M10 x 30 x 1.5 - stainless steel	8				
04	1197769	Left nozzle branch assembly - 9 nozzle	1				
05	158402	Nut - M10	8				

SPRAY CIRCUIT TOWER KIT (9 NOZZLE HOLDERS/36 NOZZLES)



KIT-285

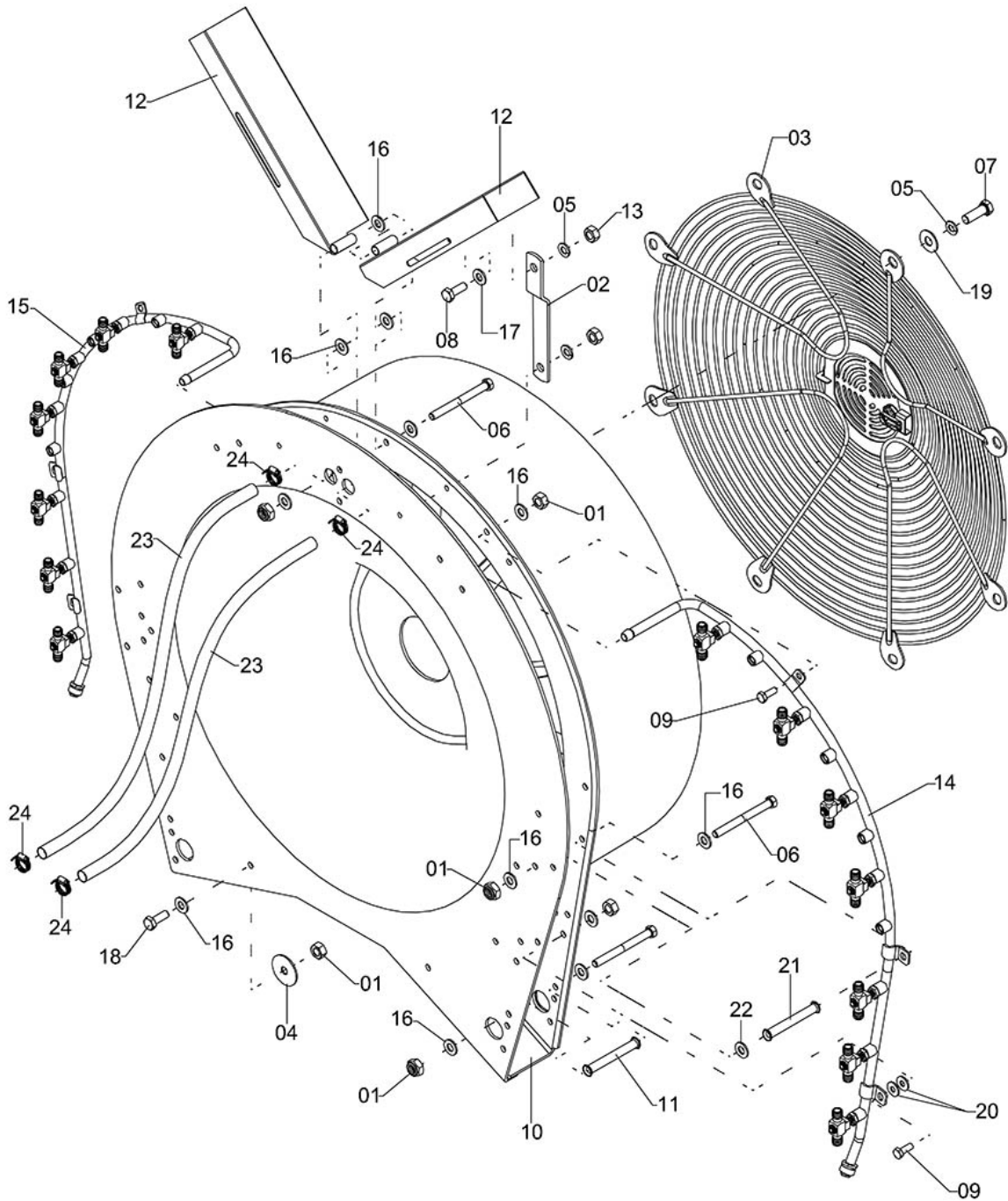
SPRAY CIRCUIT TOWER KIT (9 NOZZLE HOLDERS/36 NOZZLES)

Continuation

Item	CODE	DESCRIPTION	Qty.	Item	CODE	DESCRIPTION	Qty.
00	1198618	Spray circuit tower Kit (9 nozzle holders/36 nozzles)	1				
01	1198052	Deflector - Tower 400/1000	2				
02	1197807	Branch assembly (9 nozzle holders)	1				
03	1198316	Deflector joining plate	2				
04	422436	Flat washer - 104 x 254 x 30	4				
05	528232	Hex bolt - M10 x 16 x 1.50	4				
06	1198054	Deflector spacer (Tower)	4				
07	821918	Hose - 1/2" x 2750	2				
08	1198218	Spacer tube	2				
09	107664	Clamp D14-22 - stainless steel	4				

Controlled copy – Distribution and reproduction prohibited

SPRAY APPLICATION ASSEMBLY (BRANCH 7 DOUBLE NOZZLE HOLDER 28 NOZZLES)



CA-330

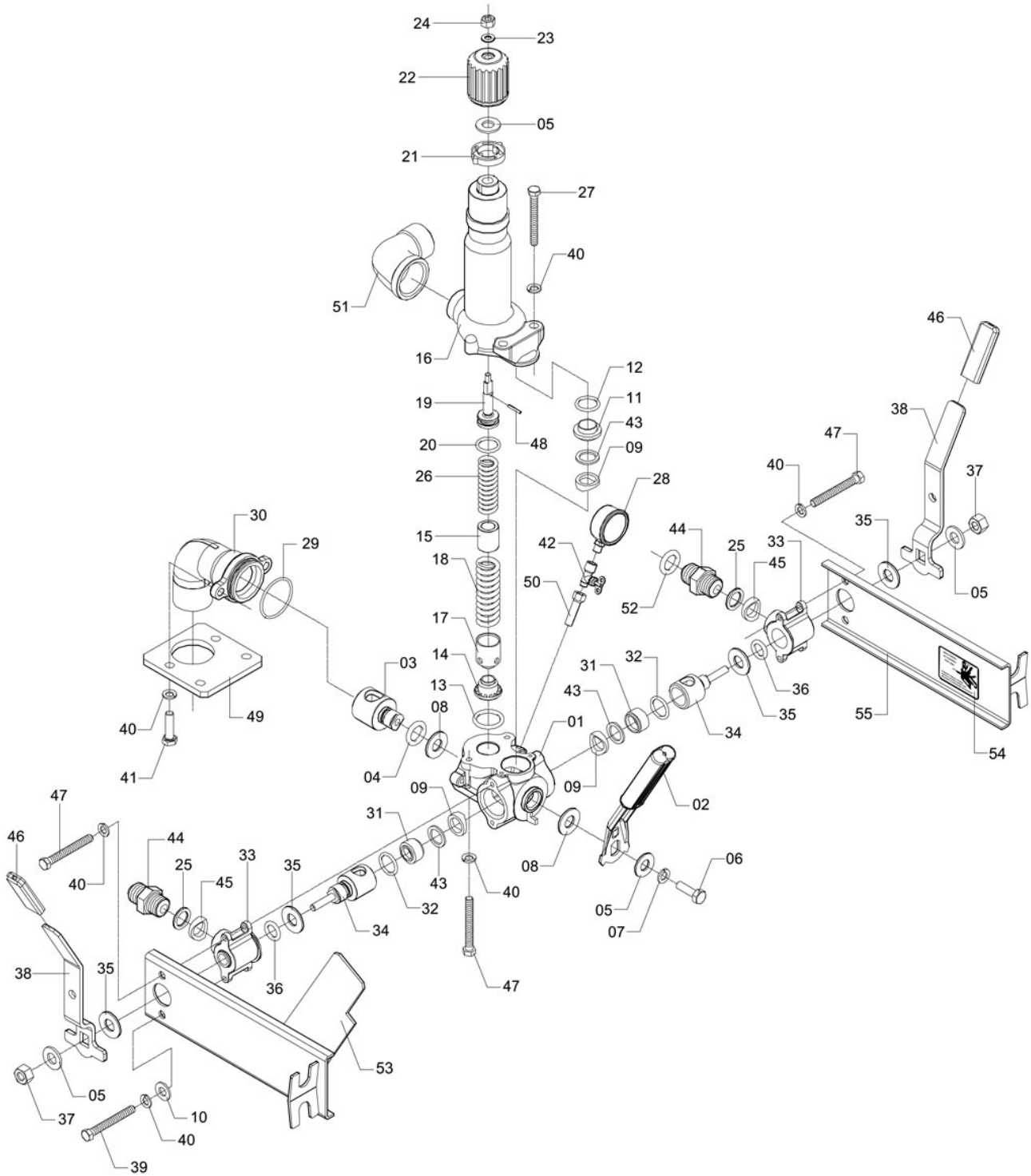
SPRAY APPLICATION ASSEMBLY (BRANCH 7 DOUBLE NOZZLE HOLDER 28 NOZZLES)

Continuation

Item	CODE	DESCRIPTION	Qty.	Item	CODE	DESCRIPTION	Qty.
00	554436	Spray Application Assembly (Branch 7 double nozzle holder 28 nozzles)	1				
01	108761	Nut 3/8" - 16 UNC	12				
02	427971	Support body	2				
03	434068	Guard screen - assembly	1				
04	507855	Flat washer - 103 x 375 x 30	3				
05	519736	Locking washer - Ø8	12				
06	559575	Bolt - 3/8" x 5. 1/4"	7				
07	820282	Bolt - ø 5/6"- 18 UNC x 1.3/4"	8				
08	912667	Bolt - 5/16" x 18 UNC x 7/8	4				
09	912709	Fully treaded bolt - 3/8" - 16 UNC x 1"	2				
10	019190	Deflector	1				
11	327858	Spacer bushing - 96	2				
12	328096	Adjustable flap	2				
13	107102	Hex nut - 5/16" x - 18 UNC	4				
14	554451	Left nozzle branch assembly for 7 bijet nozzle holder	1				
15	554444	Right nozzle branch assembly for 7 nozzles - Bijet	1				
16	623884	Flat washer - ø 10.5 x 21 x 3 - stainless steel	20				
17	013433	Flat washer - Ø8.4 x Ø16 x 1.6 steel	4				
18	518753	Bolt - 3/8"- 16 UNC x 1.1/4" - 5 degree	3				
19	420281	Flat washer - Ø8.2 X Ø35 X 3 - steel	8				
20	184290	Flat washer - ø 10.5 x 30 x 2.5 - stainless steel	4				
21	019414	Spacer bushing 91mm	4				
22	274274	Flat washer - Ø13.40 x Ø27 x 1.90 - stainless steel	4				
23	814459	Hose - 1/2" x 1250	2				
24	107664	Clamp D14-22 - stainless steel	4				

Controlled copy – Distribution and reproduction prohibited

CONTROL (RELIEF/ PRESSURE REGULATOR VALVE)



CV-462

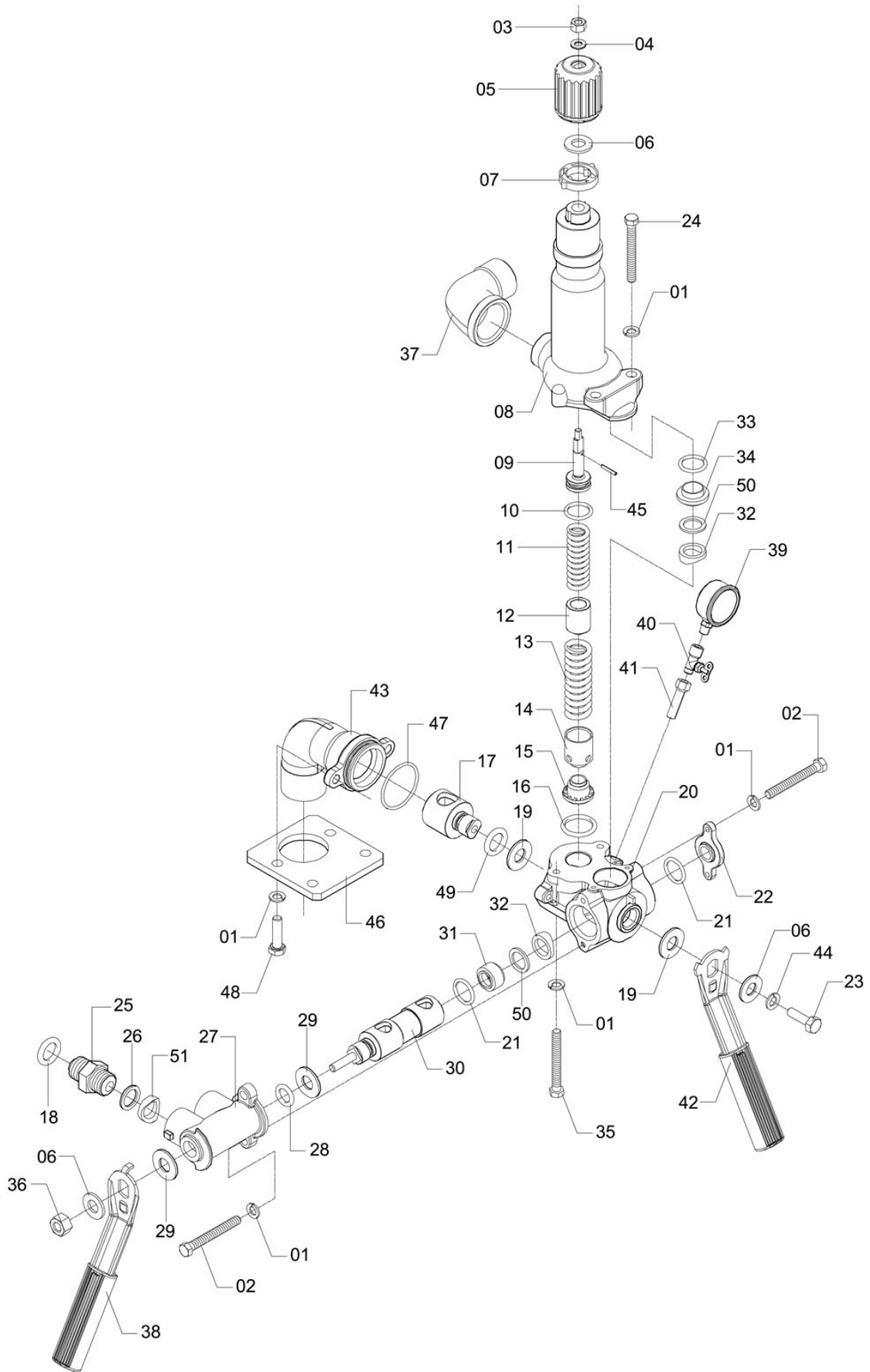
CONTROL (RELIEF/ PRESSURE REGULATOR VALVE)

Continuation

Item	CODE	DESCRIPTION	Qty.	Item	CODE	DESCRIPTION	Qty.
00	357921	Control (relief/ pressure regulator valve)	1				
01	935999	Valve body	1				
02	010587	Lever	1				
03	717835	Core	1				
04	706796	Sealing ring - OR1-114	5				
05	623884	Flat washer - ϕ 10.5 x 21 x 3 - stainless steel	4				
06	917682	Bolt - 3/8" x 5/8" UNC	1				
07	908566	Locking washer - 3/8"	1				
08	010645	Core support - ϕ 30	2				
09	010678	Sealing seat	3				
10	431486	Spacer	2				
11	010793	Spacer - 29 x 12.5	1				
12	012724	Sealing ring - OR1-119	1				
13	011593	Sealing ring - OR1-219	1				
14	010710	Valve seat	1				
15	616144	Spring spacer	1				
16	616102	Cylinder	1				
17	010728	Valve with insert	1				
18	622712	Compression spring	1				
19	117960	Adjusting bolt - 1/2" UNF x 73	1				
20	011601	Sealing ring - ORI-213	1				
21	011031	Lock	1				
22	010629	Knob	1				
23	013433	Flat washer - ϕ 8.4 x ϕ 16 x 1.6 steel	1				
24	912758	Hex nut - 5/16" - 18 UNC	1				
25	010991	O-ring ϕ 24.7	2				
26	616151	Spring - ϕ 18 x 34	1				
27	831503	Bolt - 5/16" - 18 UNC x 1.3/4"	2				
28	427823	Glycerin- filled pressure gauge - 0 to 1000 psi	1				
29	106948	Sealing ring - OR1-130	1				
30	428268	Curved fitting - 90° with flange	1				
31	010801	Spacer - ϕ 29 x 19.4	2				
32	011668	O-ring OR1-122	2				
33	357947	Valve body	2				
34	357954	Core - ϕ 26	2				
35	010769	Core seat washer - ϕ 24	4				
36	011676	Sealing ring - OR1-111	2				
37	810770	Hex nut - M8 x 1.25	2				
38	357962	Lever	2				
39	729038	Bolt - ϕ 5/16" x 2.3/4" - 5 degree	2				
40	519736	Locking washer - ϕ 8	12				
41	836502	Bolt - 5/16" - 18 UNC x 1" - 5 degree	2				
42	507319	Needle valve for pressure gauge	1				
43	010827	Sealing ring - 29 x 22 x 3	3				
44	566802	Nipple - ϕ 3/4" x 3/4" - BSP	2				
45	010751	Packing seat 22	2				
46	945964	Control lever handle	2				
47	627992	Hex bolt - 5/16" - 18 UNC x 2.1/2	4				
48	917369	Heavy elastic pin - 3 x 22	1				
49	107441	Support	1				
50	014423	Pressure gauge extension	1				
51	116822	Male/female elbow ϕ 1.1/4" x 90	1				
52	322057	Sealing ring - OR1-114	2				
53	991752	Support	1				
54	979583	Sticker - Control maintenance...	1				
55	358127	Support	1				

Controlled copy – Distribution and reproduction prohibited

VAR CONTROL - 110/500



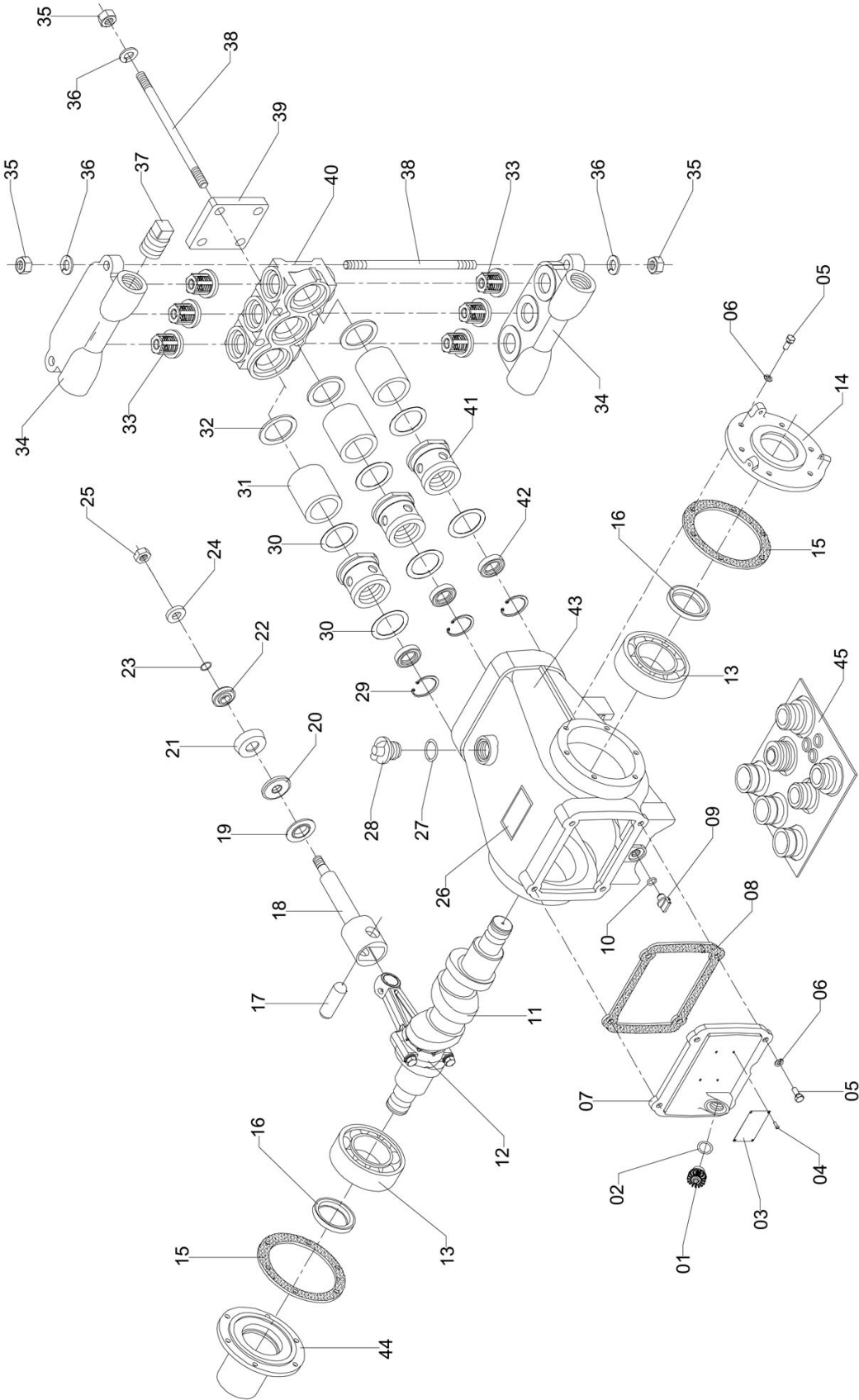
CV-459

VAR CONTROL - 110/500

Continuation

Item	CODE	DESCRIPTION	Qty.	Item	CODE	DESCRIPTION	Qty.
00	630384	VAR Control - 110/500	1				
01	519736	Locking washer - Ø8	10				
02	663153	Bolt - 5/16" - 18 UNC x 3/4"	4				
03	912758	Hex nut - 5/16"- 18 UNC	1				
04	013433	Flat washer - Ø8.4 x Ø16 x 1.6 steel	1				
05	010629	Knob	1				
06	623884	Flat washer - ø 10.5 x 21 x 3 - stainless steel	3				
07	011031	Lock	1				
08	616102	Cylinder	1				
09	117960	Adjusting bolt - 1/2" UNF x 73	1				
10	011601	Sealing ring - ORI-213	1				
11	616151	Spring - ø 18 x 34	1				
12	616144	Spring spacer	1				
13	622712	Compression spring	1				
14	010728	Valve with insert	1				
15	010710	Valve seat	1				
16	011593	Sealing ring - OR1-219	1				
17	717835	Core	1				
18	322057	Sealing ring - OR1-114	2				
19	010645	Core support - ø 30	2				
20	010546	Body	1				
21	011668	O-ring OR1-122	2				
22	111203	Valve cap	1				
23	917682	Bolt - 3/8" x 5/8" UNC	1				
24	831503	Bolt - 5/16"- 18 UNC x 1.3/4"	2				
25	823435	Outlet nipple	2				
26	010991	O-ring ø 24.7	2				
27	010603	Valve body	1				
28	011676	Sealing ring - OR1-111	1				
29	010769	Core seat washer - ø 24	2				
30	206227	Core ø 26	1				
31	010801	Spacer - ø 29 x 19.4	1				
32	010678	Sealing seat	2				
33	012724	Sealing ring - OR1-119	1				
34	010793	Spacer - 29 x 12.5	1				
35	627992	Hex bolt - 5/16" - 18 UNC x 2.1/2	2				
36	518761	Hex nut - ø 3/8"	1				
37	116830	Elbow	1				
38	010561	Lever	1				
39	427823	Glycerin- filled pressure gauge - 0 to 1000 psi	1				
40	507319	Needle valve for pressure gauge	1				
41	014423	Pressure gauge extension	1				
42	010587	Lever	1				
43	428268	Curved fitting - 90° with flange	1				
44	908566	Locking washer - 3/8"	1				
45	917369	Heavy elastic pin - 3 x 22	1				
46	107441	Support	1				
47	106948	Sealing ring - OR1-130	1				
48	836502	Bolt - 5/16"- 18 UNC x 1"- 5 degree	2				
49	706796	Sealing ring - OR1-114	1				
50	010827	Sealing ring - 29 x 22 x 3	2				
51	010751	Packing seat 22	2				

JP-75 PUMP (B MODEL)



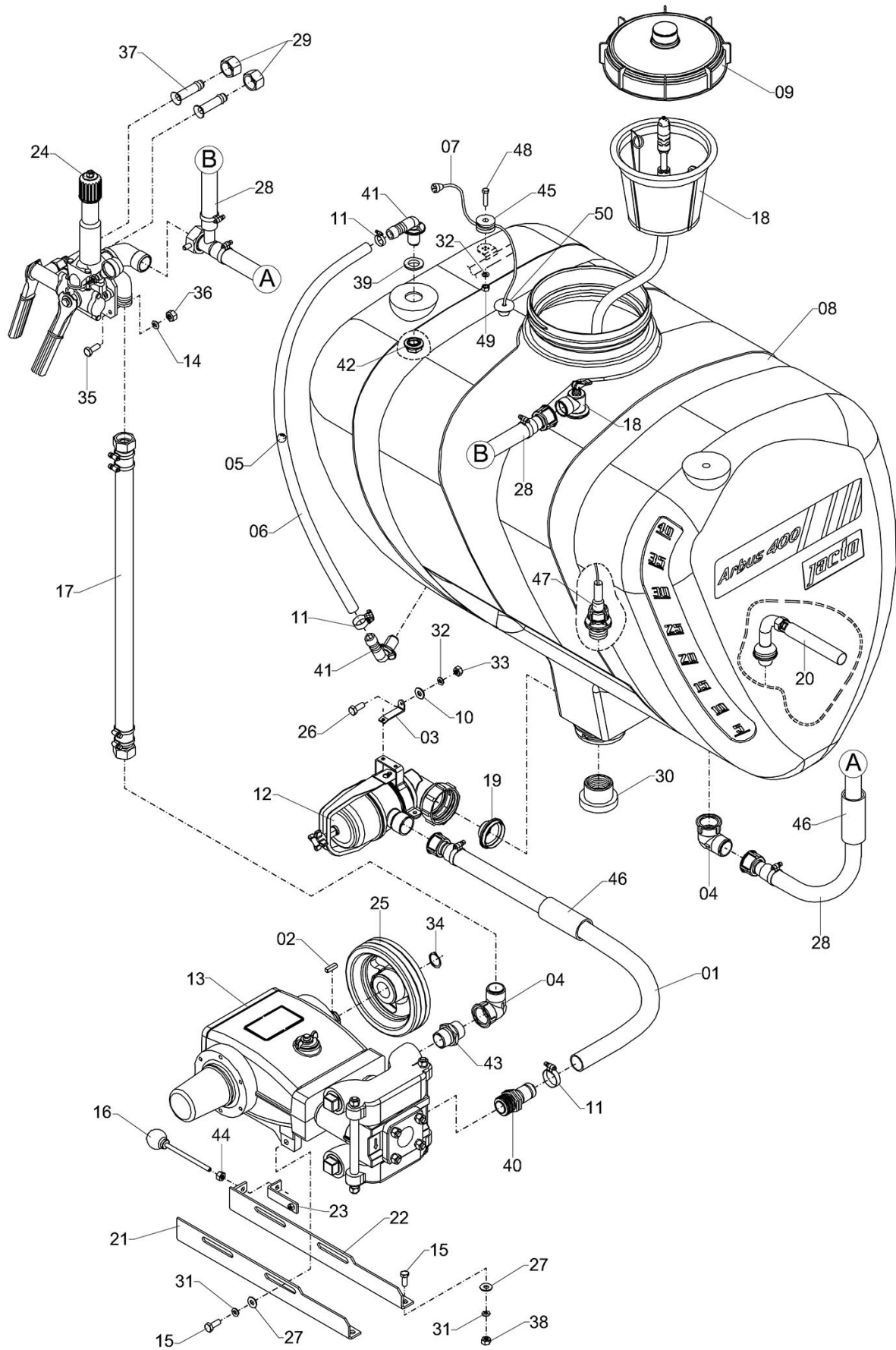
B-168

JP-75 PUMP (B MODEL)

Continuation

Item	CODE	DESCRIPTION	Qty.	Item	CODE	DESCRIPTION	Qty.
00	019398	JP-75 Pump (B model)	1				
01	213736	Plug - ø 1/2" BSP	1				
02	210146	Sealing ring - OR1-117	1				
03	110387	Identification plate	1				
04	109587	Round head rivet	4				
05	663153	Bolt - 5/16" - 18 UNC x 3/4"	22				
06	519736	Locking washer - Ø8	16				
07	110338	Pump cover	1				
08	110379	Gasket	1				
09	520775	Drain plug - 1/4" BSP	1				
10	325290	Sealing ring - OR1-112	1				
11	130427	Crankshaft	1				
12	130401	Connecting rod assembly	3				
13	107557	Bearing	2				
14	911727	Bearing flange	1				
15	912147	Seal	2				
16	106930	Retainer	2				
17	911677	Connecting rod shaft - ø 20 x 44.4	3				
18	012922	Rod guide	3				
19	211524	Scrapper ring	3				
20	911842	Piston	3				
21	211482	Piston	3				
22	211375	Piston	3				
23	901405	Sealing ring - ORI-014	3				
24	911867	Flat washer	3				
25	324178	Nut - ø 1/4" - 20 UNF - Stainless steel	3				
26	959957	Sticker - Keep oil level	1				
27	012724	Sealing ring - OR1-119	1				
28	328542	Plug - 3/4" BSP	1				
29	107524	Snap ring for hole - ø 36	3				
30	912154	Gasket - ø 54 x 41.5 x 0.4	6				
31	423517	Ceramic sleeve	3				
32	912493	Seal JC 1/4" BSP	3				
33	261404	Valve for pump - ø 18	6				
34	110304	Valve cover	2				
35	912790	Hex nut - 1/2" - 13 UNC	8				
36	908582	Locking washer - 1/2"	8				
37	911305	Plug - ø 1" BSP	4				
38	911974	Stud bolt - 1/2" - 13 UNC x 210	6				
39	110320	Tightening plate	1				
40	110288	Pump head	1				
41	911750	Sleeve guide - ø 35	3				
42	106922	Retainer - ø 22 x 35.2 x 7	3				
43	110247	Pump body	1				
44	018523	Protective flange	1				
45	217133	Gasket /Seal Repair Kit	1				
	824201	Lubricating oil - TEXACO	2				

CHEMICAL CIRCUIT (VAR CONTROL - 110/500 / JP-75 MOD. B)



CD-1210

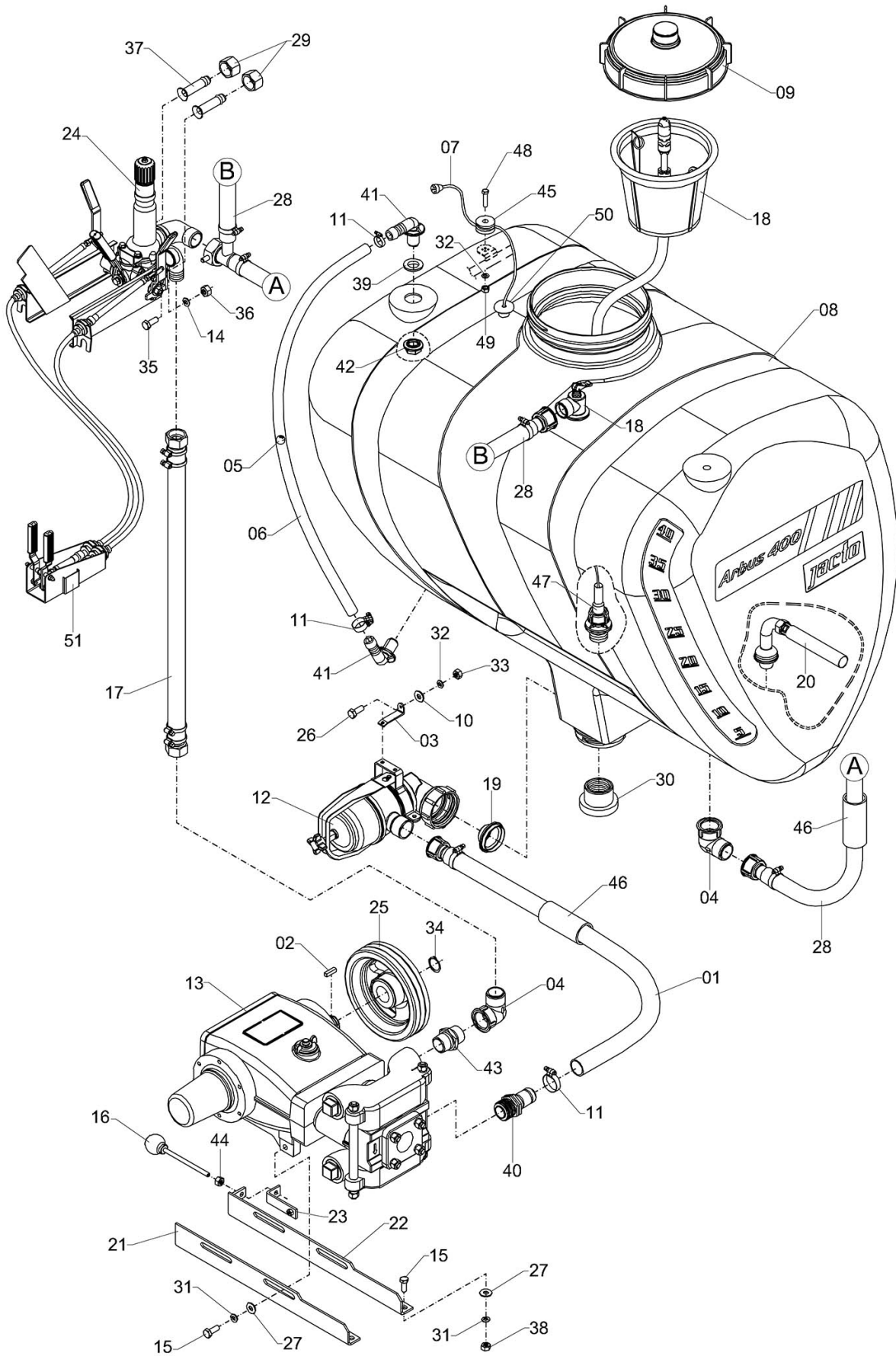
Controlled copy – Distribution and reproduction prohibited

CHEMICAL CIRCUIT (VAR CONTROL - 110/500 / JP-75 MOD. B)

Continuation

Item	CODE	DESCRIPTION	Qty.	Item	CODE	DESCRIPTION	Qty.
00	946418	Chemical circuit (VAR Control - 110/500 / JP-75 Mod. B)	1				
01	138156	Hose - Pump / Filter	1				
02	015305	Square key 5/16" x 30	1				
03	203372	Filter support	1				
04	902817	Male/female elbow ø 1" BSP x 90°	3				
05	324764	Float ø 14	1				
06	324798	Hose - 3/4" x 1030	1				
07	840959	Handle	1				
08	136630	400 - liter tank	1				
09	037374	Lid with breather	1				
10	413468	Flat washer - ø 6.8 x 18 x 1.2 - treated steel	1				
11	423814	Clamp D22-32 - stainless steel	5				
12	425959	Suction filter with valve for 100 L	1				
13	019398	JP-75 Pump (B model)	1				
14	519736	Locking washer - Ø8	2				
15	520205	Bolt - 1/2"- 13 UNC x 1.1/4"- 5 degree	8				
16	542613	Tensioner bolt - 3/8" - 16 UNC x 100	1				
17	057976	Hose - Pump / Control	1				
18	136648	Chemical container cleaning nozzle - NR 8	1				
19	005934	Spring seat	1				
20	628693	Hydraulic agitator	1				
21	1168523	Pump base	1				
22	628743	Pump support assembly - II	1				
23	628750	Tightener	1				
24	630384	VAR Control - 110/500	1				
25	630798	Pulley - ø 175 - 2B	1				
26	073890	Hex bolt - 1/4" - 28 UNF x 3/4" - 5 degree	1				
27	818112	Flat washer - Ø13 x 24 x 3 - steel	8				
28	138123	Return hose - 1 x 1350	1				
29	010686	Conical nut - 3/4"	2				
31	908582	Locking washer - 1/2"	8				
32	910117	Locking washer - 1/4"	3				
33	910125	Nut - 1/4"- 28 UNF	1				
34	910166	Snap ring for shaft	1				
35	829374	Hex bolt - M8 x 20 x 1.25 - CL.8.8	2				
36	810770	Hex nut - M8 x 1.25	2				
37	010983	Fitting - 1/2" with flange	2				
38	912790	Hex nut - 1/2" - 13 UNC	4				
39	973024	Seal - 36 x 21 x 6	2				
40	404459	Hose fitting - 1" x 1" BSP	1				
41	428730	Elbow - 3/4" x 1/2" BSP -14 F.P.P.	2				
42	428748	Flanged nut 1/2" BSP -14 F.P.P.	2				
43	202861	Double nipple - 1" BSP - 11 F.P.P.	2				
44	518761	Hex nut - ø 3/8"	2				
45	840967	Rope lock	1				
46	172049	Protection hose - 25,4(1") x 170 - KM-25 - Blue	2				
47	169417	Transfer valve	1				
48	443713	Bolt - M6 x 40 x 1.00	1				
49	810689	Hex nut - M6 x 1 - CL. 8	1				
50	840934	Pull cord guide	1				
	323584	Cable tie - Insulok	3				
	326710	Cable tie - Insulok	2				

CHEMICAL CIRCUIT (CONTROL VAR 110/500 / JP-75 MOD. B)



CD-1211

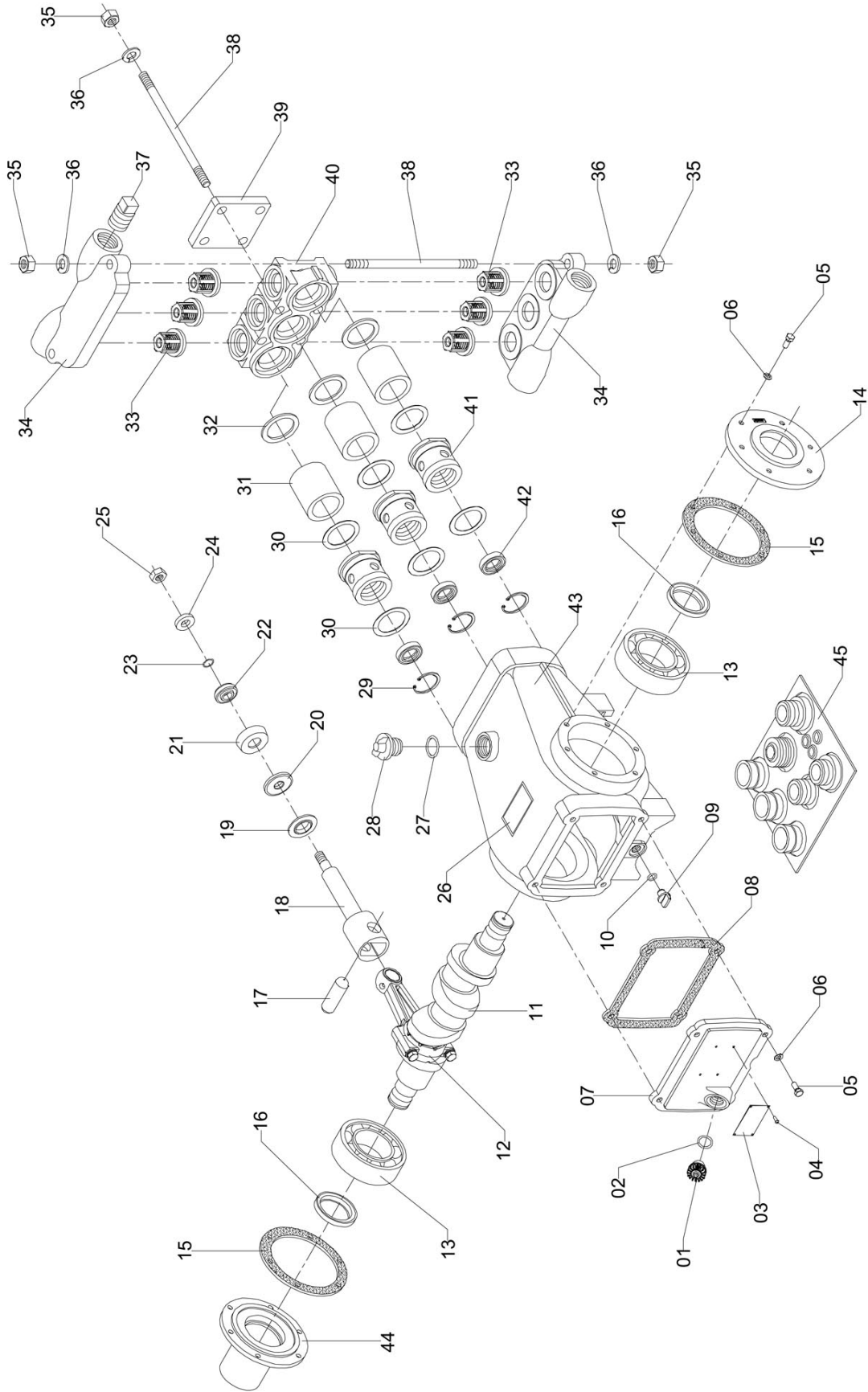
CHEMICAL CIRCUIT (CONTROL VAR 110/500 / JP-75 MOD. B)

Continuation

Item	CODE	DESCRIPTION	Qty.	Item	CODE	DESCRIPTION	Qty.
00	1220764	Chemical circuit (Control VAR 110/500 / JP-75 Mod. B)	1				
01	138156	Hose - Pump / Filter	1				
02	015305	Square key 5/16" x 30	1				
03	203372	Filter support	1				
04	902817	Male/female elbow ø 1" BSP x 90°	3				
05	324764	Float ø 14	1				
06	324798	Hose - 3/4" x 1030	1				
07	840959	Handle	1				
08	136630	400 - liter tank	1				
09	037374	Lid with breather	1				
10	413468	Flat washer - ø 6.8 x 18 x 1.2 - treated steel	1				
11	423814	Clamp D22-32 - stainless steel	5				
12	425959	Suction filter with valve for 100 L	1				
13	050245	JP-75 pump	1				
14	519736	Locking washer - Ø8	2				
15	520205	Bolt - 1/2"- 13 UNC x 1.1/4"- 5 degree	8				
16	542613	Tensioner bolt - 3/8" - 16 UNC x 100	1				
17	057976	Hose - Pump / Control	1				
18	136648	Chemical container cleaning nozzle - NR 8	1				
19	005934	Spring seat	1				
20	628693	Hydraulic agitator	1				
21	1168523	Pump base	1				
22	628743	Pump support assembly - II	1				
23	628750	Tightener	1				
24	357921	Control (relief/ pressure regulator valve)	1				
25	630798	Pulley - ø 175 - 2B	1				
26	073890	Hex bolt - 1/4" - 28 UNF x 3/4" - 5 degree	1				
27	818112	Flat washer - Ø13 x 24 x 3 - steel	8				
28	138123	Return hose - 1 x 1350	1				
29	010686	Conical nut - 3/4"	2				
31	908582	Locking washer - 1/2"	8				
32	910117	Locking washer - 1/4"	3				
33	910125	Nut - 1/4"- 28 UNF	1				
34	910166	Snap ring for shaft	1				
35	829374	Hex bolt - M8 x 20 x 1.25 - CL.8.8	2				
36	810770	Hex nut - M8 x 1.25	2				
37	010983	Fitting - 1/2" with flange	2				
38	912790	Hex nut - 1/2" - 13 UNC	4				
39	973024	Seal - 36 x 21 x 6	2				
40	404459	Hose fitting - 1" x 1" BSP	1				
41	428730	Elbow - 3/4" x 1/2" BSP -14 F.P.P.	2				
42	428748	Flanged nut 1/2" BSP -14 F.P.P.	2				
43	202861	Double nipple - 1" BSP - 11 F.P.P.	2				
44	518761	Hex nut - ø 3/8"	2				
45	840967	Rope lock	1				
46	172049	Protection hose - 25,4(1") x 170 - KM-25 - Blue	2				
47	169417	Transfer valve	1				
48	443713	Bolt - M6 x 40 x 1.00	1				
49	810689	Hex nut - M6 x 1 - CL. 8	1				
50	840934	Pull cord guide	1				
51	159830	Actuator	1				
	323584	Cable tie - Insulok	3				
	326710	Cable tie - Insulok	2				

Controlled copy – Distribution and reproduction prohibited

JP-75 PUMP



B-167

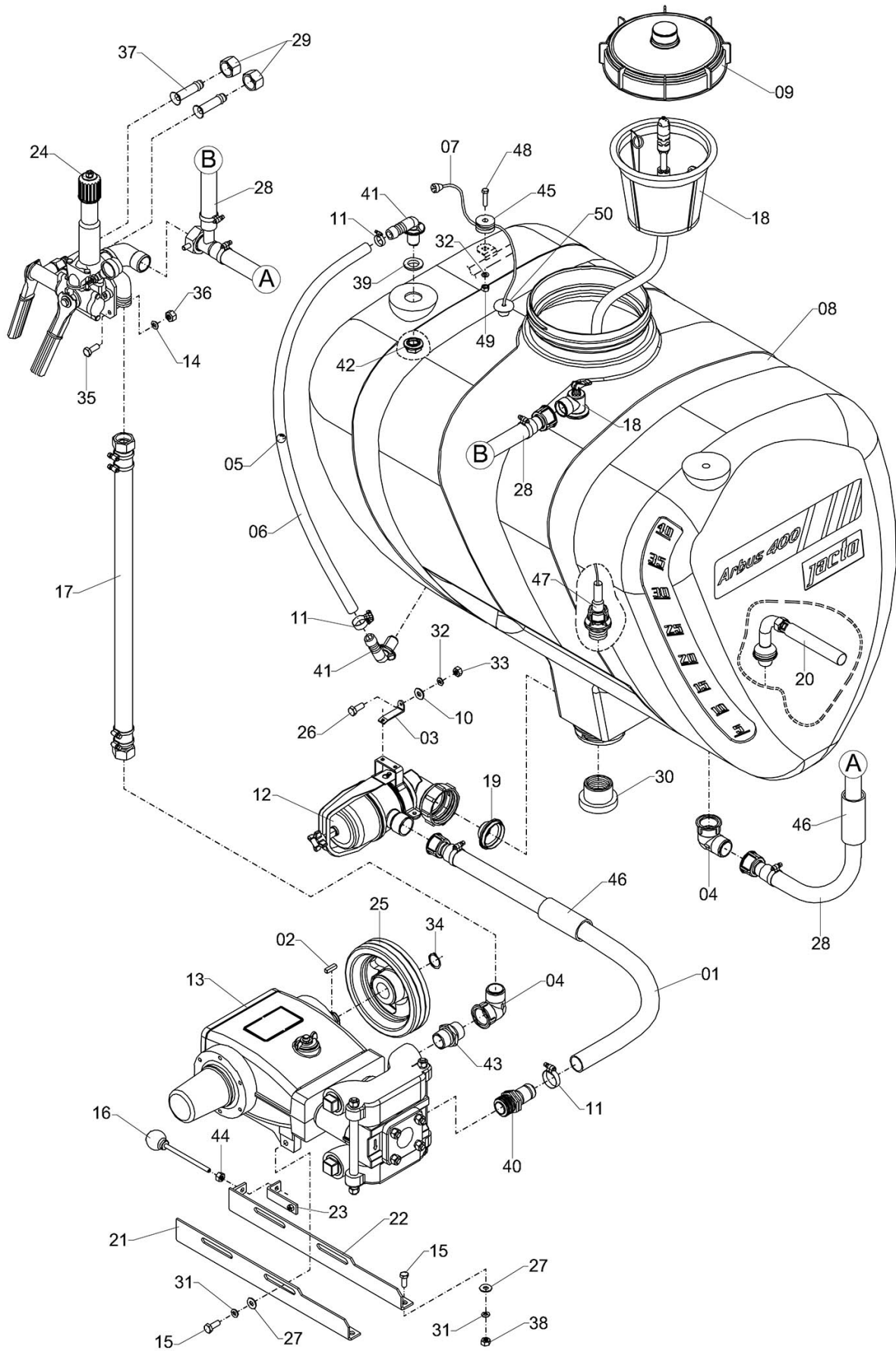
JP-75 PUMP

Continuation

Item	CODE	DESCRIPTION	Qty.	Item	CODE	DESCRIPTION	Qty.
00	050245	JP-75 pump	1				
01	213736	Plug - ø 1/2" BSP	1				
02	210146	Sealing ring - OR1-117	1				
03	1159487	Identification plate - "Engraved"	1				
04	109587	Round head rivet	4				
05	663153	Bolt - 5/16" - 18 UNC x 3/4"	22				
06	519736	Locking washer - Ø8	16				
07	110338	Pump cover	1				
08	110379	Gasket	1				
09	520775	Drain plug - 1/4" BSP	1				
10	325290	Sealing ring - OR1-112	1				
11	130427	Crankshaft	1				
12	130401	Connecting rod assembly	3				
13	107557	Bearing	2				
14	911727	Bearing flange	2				
15	912147	Seal	2				
16	106930	Retainer	2				
17	911677	Connecting rod shaft - ø 20 x 44.4	3				
18	012922	Rod guide	3				
19	211524	Scraper ring	3				
20	911842	Piston	3				
21	211482	Piston	3				
22	211375	Piston	3				
23	901405	Sealing ring - ORI-014	3				
24	911867	Flat washer	3				
25	324178	Nut - ø 1/4" - 20 UNF - Stainless steel	3				
26	959957	Sticker - Keep oil level	1				
27	012724	Sealing ring - OR1-119	1				
28	328542	Plug - 3/4" BSP	1				
29	107524	Snap ring for hole - ø 36	3				
30	912154	Gasket - ø 54 x 41.5 x 0.4	6				
31	423517	Ceramic sleeve	3				
32	912493	Seal JC 1/4" BSP	3				
33	261404	Valve for pump - ø 18	6				
34	071498	Valve cover	2				
35	912790	Hex nut - 1/2" - 13 UNC	8				
36	908582	Locking washer - 1/2"	8				
37	911305	Plug - ø 1" BSP	2				
38	911974	Stud bolt - 1/2" - 13 UNC x 210	6				
39	110320	Tightening plate	1				
40	071506	Head - JP-75 C (machined part)	1				
41	911750	Sleeve guide - ø 35	3				
42	106922	Retainer - ø 22 x 35.2 x 7	3				
43	110247	Pump body	1				
44	018523	Protective flange	1				
45	217133	Gasket /Seal Repair Kit	1				
	824201	Lubricating oil - TEXACO	2				
	989251	Sticker - COFFEE	3				

Controlled copy – Distribution and reproduction prohibited

CHEMICAL CIRCUIT (VAR CONTROL - 110/500)



CD-1210

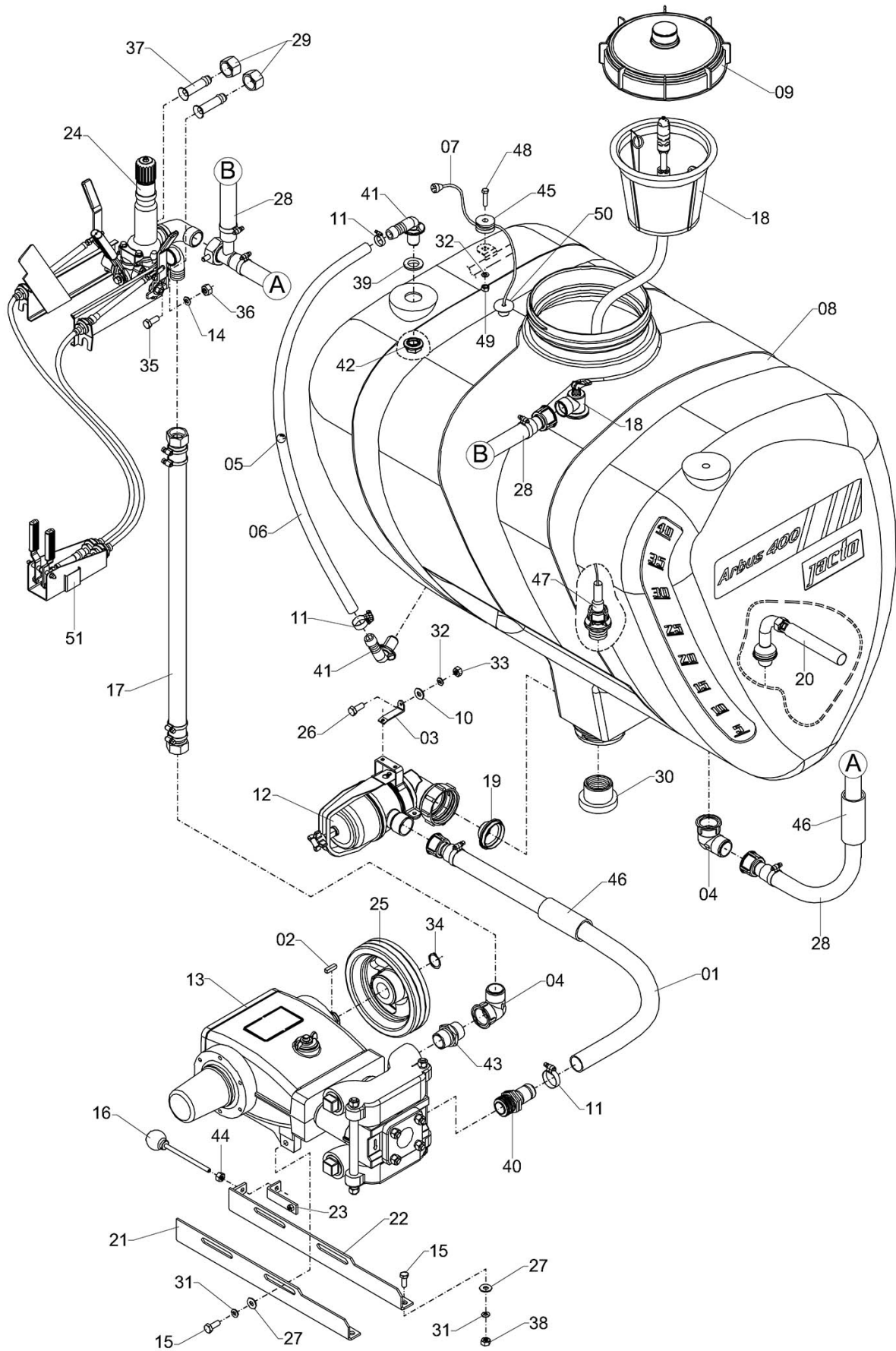
Controlled copy – Distribution and reproduction prohibited

CHEMICAL CIRCUIT (VAR CONTROL - 110/500)

Continuation

Item	CODE	DESCRIPTION	Qty.	Item	CODE	DESCRIPTION	Qty.
00	089945	Chemical circuit (VAR control - 110/500)	1				
01	138156	Hose - Pump / Filter	1				
02	015305	Square key 5/16" x 30	1				
03	203372	Filter support	1				
04	902817	Male/female elbow ø 1" BSP x 90°	3				
05	324764	Float ø 14	1				
06	324798	Hose - 3/4" x 1030	1				
07	840959	Handle	1				
08	136630	400 - liter tank	1				
09	037374	Lid with breather	1				
10	413468	Flat washer - ø 6.8 x 18 x 1.2 - treated steel	1				
11	423814	Clamp D22-32 - stainless steel	5				
12	425959	Suction filter with valve for 100 L	1				
13	050245	JP-75 pump	1				
14	519736	Locking washer - Ø8	2				
15	520205	Bolt - 1/2"- 13 UNC x 1.1/4"- 5 degree	8				
16	542613	Tensioner bolt - 3/8" - 16 UNC x 100	1				
17	057976	Hose - Pump / Control	1				
18	136648	Chemical container cleaning nozzle - NR 8	1				
19	005934	Spring seat	1				
20	628693	Hydraulic agitator	1				
21	1168523	Pump base	1				
22	628743	Pump support assembly - II	1				
23	628750	Tightener	1				
24	630384	VAR Control - 110/500	1				
25	630798	Pulley - ø 175 - 2B	1				
26	073890	Hex bolt - 1/4" - 28 UNF x 3/4" - 5 degree	1				
27	818112	Flat washer - Ø13 x 24 x 3 - steel	8				
28	138123	Return hose - 1 x 1350	1				
29	010686	Conical nut - 3/4"	2				
31	908582	Locking washer - 1/2"	8				
32	910117	Locking washer - 1/4"	3				
33	910125	Nut - 1/4"- 28 UNF	1				
34	910166	Snap ring for shaft	1				
35	829374	Hex bolt - M8 x 20 x 1.25 - CL.8.8	2				
36	810770	Hex nut - M8 x 1.25	2				
37	010983	Fitting - 1/2" with flange	2				
38	912790	Hex nut - 1/2" - 13 UNC	4				
39	973024	Seal - 36 x 21 x 6	2				
40	404459	Hose fitting - 1" x 1" BSP	1				
41	428730	Elbow - 3/4" x 1/2" BSP -14 F.P.P.	2				
42	428748	Flanged nut 1/2" BSP -14 F.P.P.	2				
43	202861	Double nipple - 1" BSP - 11 F.P.P.	2				
44	518761	Hex nut - ø 3/8"	2				
45	840967	Rope lock	1				
46	172049	Protection hose - 25,4(1") x 170 - KM-25 - Blue	2				
47	169417	Transfer valve	1				
48	443713	Bolt - M6 x 40 x 1.00	1				
49	810689	Hex nut - M6 x 1 - CL. 8	1				
50	840934	Pull cord guide	1				
	323584	Cable tie - Insulok	3				
	326710	Cable tie - Insulok	2				

CHEMICAL CIRCUIT (DIRECTIONAL VALVE)



CD-1211

Controlled copy – Distribution and reproduction prohibited

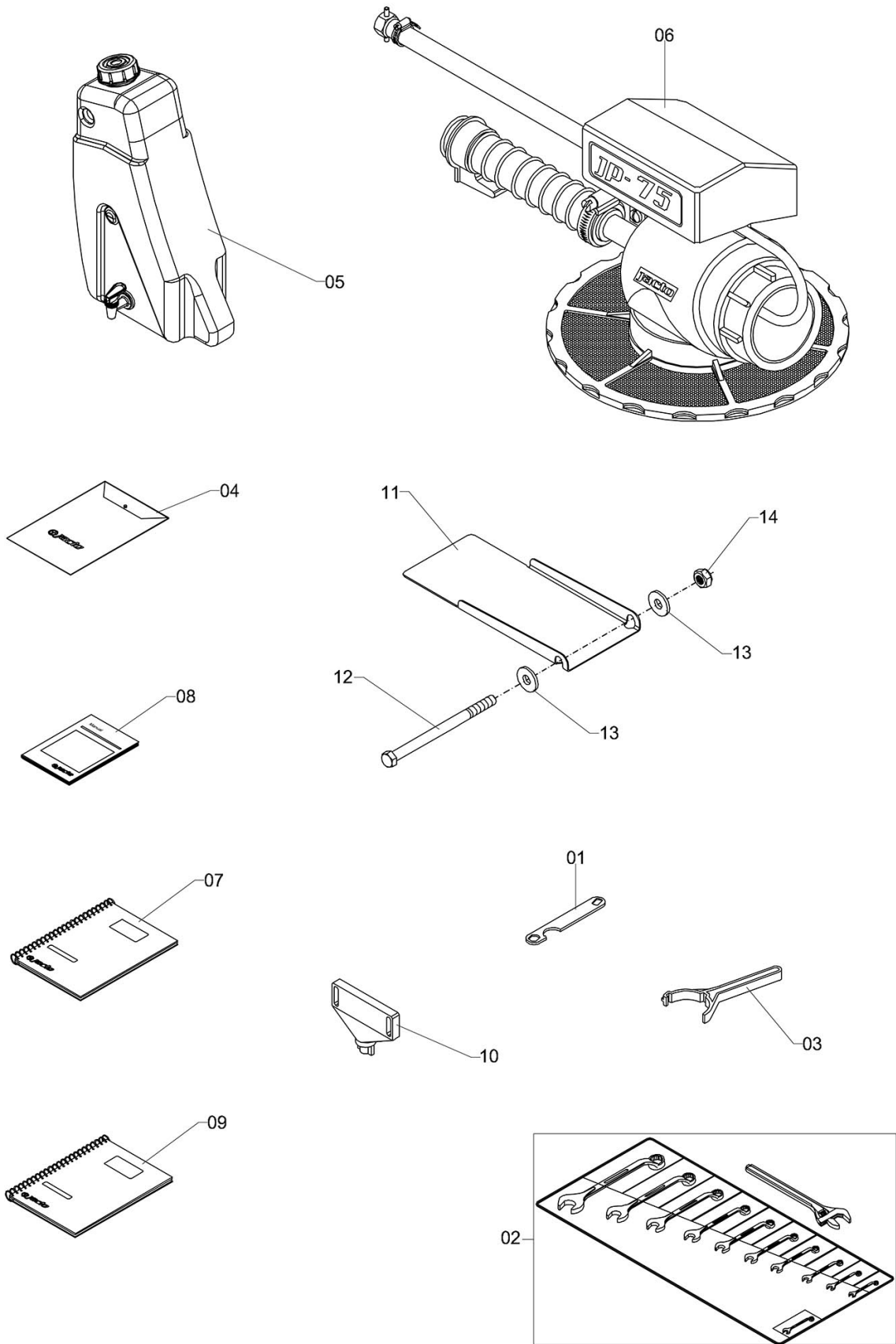
CHEMICAL CIRCUIT (DIRECTIONAL VALVE)

Continuation

Item	CODE	DESCRIPTION	Qty.	Item	CODE	DESCRIPTION	Qty.
00	554659	Chemical circuit (Directional valve)	1				
01	138156	Hose - Pump / Filter	1				
02	015305	Square key 5/16" x 30	1				
03	203372	Filter support	1				
04	902817	Male/female elbow ø 1" BSP x 90°	3				
05	324764	Float ø 14	1				
06	324798	Hose - 3/4" x 1030	1				
07	840959	Handle	1				
08	136630	400 - liter tank	1				
09	037374	Lid with breather	1				
10	413468	Flat washer - ø 6.8 x 18 x 1.2 - treated steel	1				
11	423814	Clamp D22-32 - stainless steel	5				
12	425959	Suction filter with valve for 100 L	1				
13	019398	JP-75 Pump (B model)	1				
14	519736	Locking washer - Ø8	2				
15	520205	Bolt - 1/2"- 13 UNC x 1.1/4"- 5 degree	8				
16	542613	Tensioner bolt - 3/8" - 16 UNC x 100	1				
17	057976	Hose - Pump / Control	1				
18	136648	Chemical container cleaning nozzle - NR 8	1				
19	005934	Spring seat	1				
20	628693	Hydraulic agitator	1				
21	1168523	Pump base	1				
22	628743	Pump support assembly - II	1				
23	628750	Tightener	1				
24	357921	Control (relief/ pressure regulator valve)	1				
25	630798	Pulley - ø 175 - 2B	1				
26	073890	Hex bolt - 1/4" - 28 UNF x 3/4" - 5 degree	1				
27	818112	Flat washer - Ø13 x 24 x 3 - steel	8				
28	138123	Return hose - 1 x 1350	1				
29	010686	Conical nut - 3/4"	2				
31	908582	Locking washer - 1/2"	8				
32	910117	Locking washer - 1/4"	3				
33	910125	Nut - 1/4"- 28 UNF	1				
34	910166	Snap ring for shaft	1				
35	829374	Hex bolt - M8 x 20 x 1.25 - CL.8.8	2				
36	810770	Hex nut - M8 x 1.25	2				
37	010983	Fitting - 1/2" with flange	2				
38	912790	Hex nut - 1/2" - 13 UNC	4				
39	973024	Seal - 36 x 21 x 6	2				
40	404459	Hose fitting - 1" x 1" BSP	1				
41	428730	Elbow - 3/4" x 1/2" BSP -14 F.P.P.	2				
42	428748	Flanged nut 1/2" BSP -14 F.P.P.	2				
43	202861	Double nipple - 1" BSP - 11 F.P.P.	2				
44	518761	Hex nut - ø 3/8"	2				
45	840967	Rope lock	1				
46	172049	Protection hose - 25,4(1") x 170 - KM-25 - Blue	2				
47	169417	Transfer valve	1				
48	443713	Bolt - M6 x 40 x 1.00	1				
49	810689	Hex nut - M6 x 1 - CL. 8	1				
50	840934	Pull cord guide	1				
51	159830	Actuator	1				
	323584	Cable tie - Insulok	3				
	326710	Cable tie - Insulok	2				

Controlled copy – Distribution and reproduction prohibited

ACCESSORY BOX



CXA-558

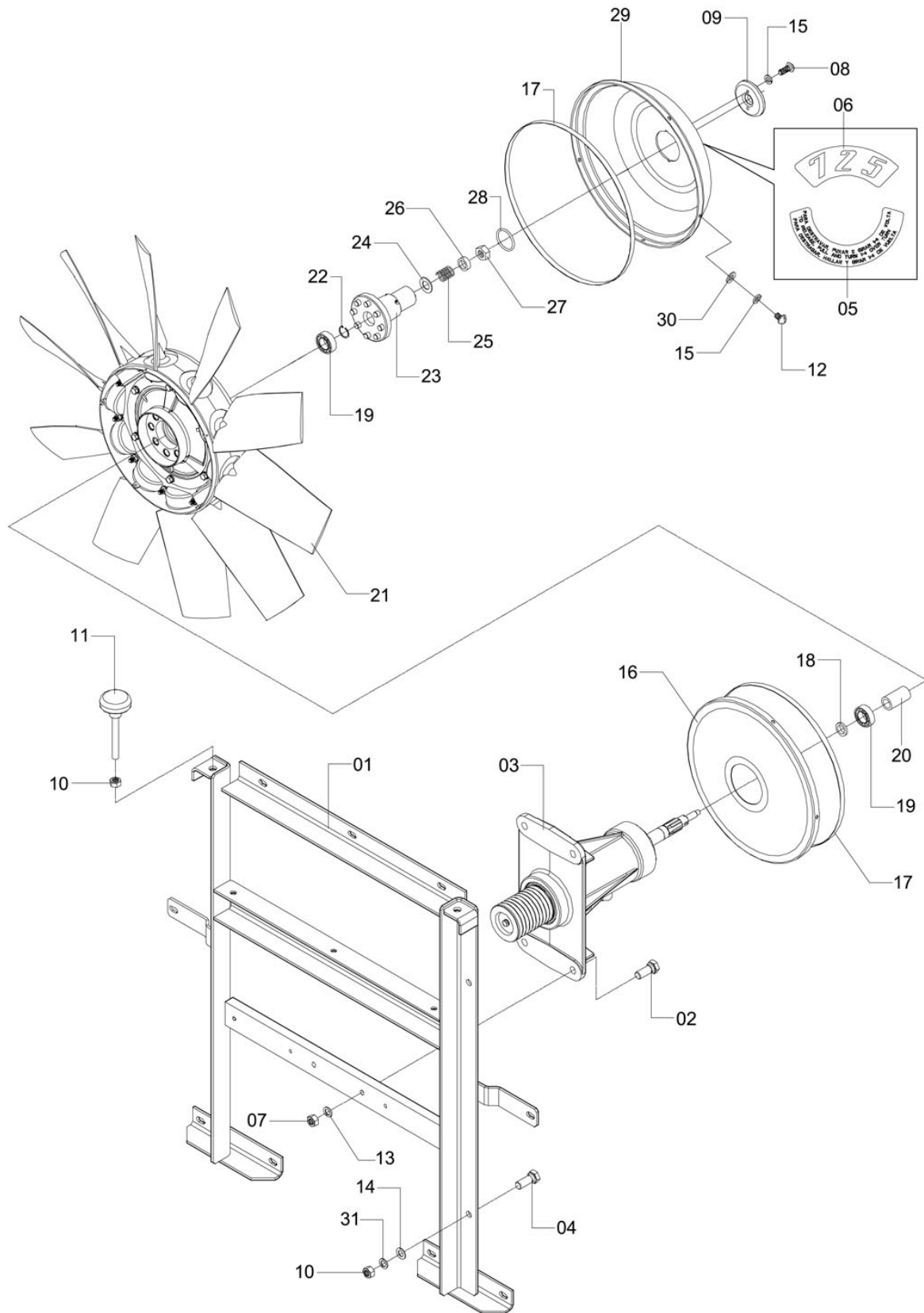
ACCESSORY BOX

Continuation

Item	CODE	DESCRIPTION	Qty.	Item	CODE	DESCRIPTION	Qty.
00	1198238	Accessory box	1				
01	436493	Flat fan nozzle aligner	1				
02	489211	Assembly - combination wrench + screw wrench (for export)	1				
03	703694	Key 40-45	1				
04	867127	Plastic folder	1				
05	133215	15 - liter tank	1				
06	058452	Ejector for 75 L/min (10-meter hose)	1				
06A	819896	Ejector for 75 L/min (5-meter hose)	1				
07	069814	Operator's manual - Arbus 400 coffee/Apple/Grape	1				
07A	033414	Operator's manual - Arbus 400 Coffee/Grape	1				
07B	511147	Operator's manual - Arbus 400 English - USA	1				
07C	979732	Operator's manual - Arbus 400 M - Portuguese	1				
07D	979740	Operator's manual - Arbus 400 - English	1				
07E	979757	Operator's manual - Arbus 400 - Coffee/Apple/Grape - Spanish	1				
08	136929	Operator's manual - Chemical container cleaning nozzle - Portuguese	1				
08A	140202	Operator's manual - Chemical container cleaning nozzle - Spanish	1				
08B	158576	Operator's manual - Chemical container cleaning nozzle	1				
08C	871169	Operator's manual - Chemical container cleaning nozzle - Russian	1				
08D	907212	Operator's manual - Chemical container cleaning nozzle - USA	1				
09	697912	Operator's manual - Nozzles Guide - English	1				
09A	853093	Operator's manual - Nozzles	1				
09B	864199	Operator's manual - Nozzles guideline - Spanish	1				
09C	871177	Operator's manual - Nozzles Guide - Russian	1				
09D	938381	Nozzle guide MI - USA	1				
10	1177696	Universal key	1				
11	1198303	Deflector lower side	2				
12	559575	Bolt - 3/8" x 5. 1/4"	2				
13	416735	Flat washer 100 x 260 x 30	4				
14	354464	Nylon-insert lock nut - 3/8" - 16 UNC	2				

Controlled copy – Distribution and reproduction prohibited

DRIVEN TRANSMISSION AND COMPLEMENTS



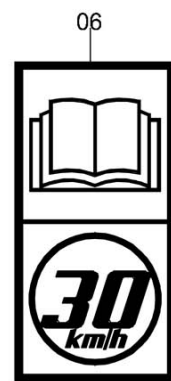
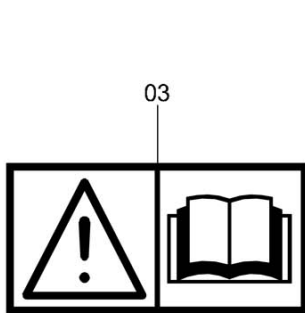
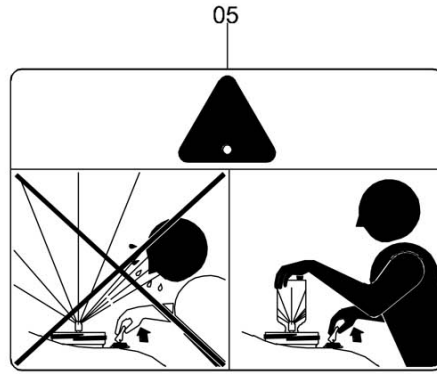
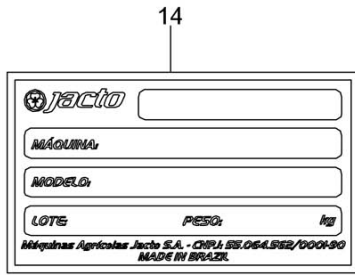
TMV-64

DRIVEN TRANSMISSION AND COMPLEMENTS

Continuation

Item	CODE	DESCRIPTION	Qty.	Item	CODE	DESCRIPTION	Qty.
00	228221	Driven transmission and complements	1				
01	428508	Transmission and deflector support	1				
02	829432	Hex head bolt - M12 x 1.75 x 35	4				
03	138115	Fan bearing housing with pulley ø 94	1				
04	520205	Bolt - 1/2"- 13 UNC x 1.1/4"- 5 degree	4				
05	018705	Sticker (Unlock, pull, 1/4-turn)	1				
06	018630	Sticker - 725	1				
07	937722	Hex nut - M12 x 1.75	4				
08	007179	Bolt - 3/16" UNC x 5/8"	2				
09	201087	Disk - ø 70	1				
10	326280	Nut - ø 1/2" UNC	6				
11	941948	Tensioner bolt - ø 1/2" - 13 UNC	2				
12	907584	Bolt - 3/16" UNC x 5/16"	10				
13	209163	Locking washer - M12	4				
14	818112	Flat washer - Ø13 x 24 x 3 - steel	4				
15	520676	Locking washer - ø5	12				
16	848911	Fan protector	1				
17	018655	Gasket - 1015	2				
18	518118	Spacer ring	1				
19	202549	Deep groove ball bearing	2				
20	232686	Spacer - 51.4	1				
21	038786	Fan with plastic blades	1				
22	203067	Snap ring for shaft - ø35	1				
23	177055	Splined hub with hitch	1				
24	881243	Flat washer - Ø17 x 30 x 1.9 - steel	1				
25	204537	Compression spring	1				
26	425892	Spring thrust ring	1				
27	108787	Nut - DODI-LOC ø 1/2" - 13 U	1				
28	939223	Sealing ring	1				
29	935379	Hubcap	1				
30	979237	Flat washer - 5.3 x 10 x 1	12				
31	908582	Locking washer - 1/2"	4				

STICKERS: (ARBUS 400)



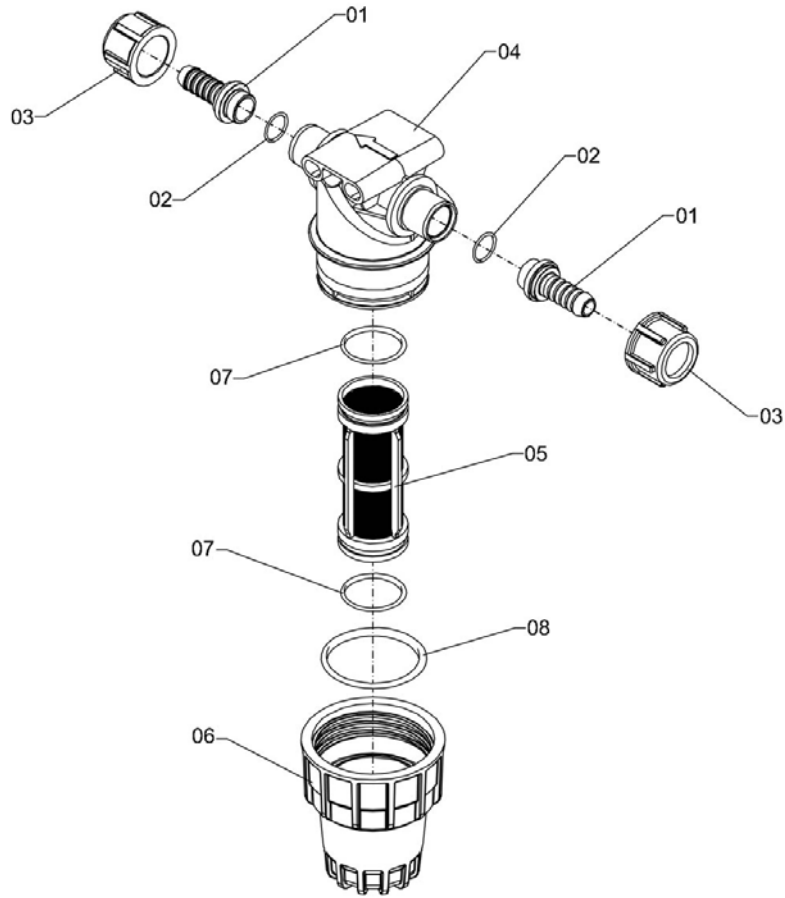
ADS-199

STICKERS: (ARBUS 400)

Continuation

Item	CODE	DESCRIPTION	Qty.	Item	CODE	DESCRIPTION	Qty.
00	576462	Stickers: (Arbus 400)	1				
01	379073	Sticker - Tank - Water for Washing Hands	1				
02	379248	Sticker - Read Operator's Manual - Vertical	1				
03	379230	Sticker: "Read Operator's Manual - Horizontal"	3				
04	379222	Sticker - Traffic on Highways Prohibited	1				
05	169128	Sticker - Chemical container cleaning nozzle	1				
06	379214	Sticker: "Maximum Speed 30 KM/H"	1				
07	379131	Sticker - Mandatory Use of Protective Clothing	1				
08	379123	Sticker - Mandatory Use of Hearing Protection	1				
09	379008	Sticker - Danger - Drive shaft	1				
10	379040	Sticker - Attention - Keep distance	1				
11	379057	Sticker - Keep distance - Fan	1				
12	379065	Sticker - Keep all protectors	1				
13	379115	Sticker - Mandatory Use of Protective Mask Respirator	1				
14	983932	Identification plate	1				

IN-LINE FILTER II - 80 MESH - NOZZLE 1/2"

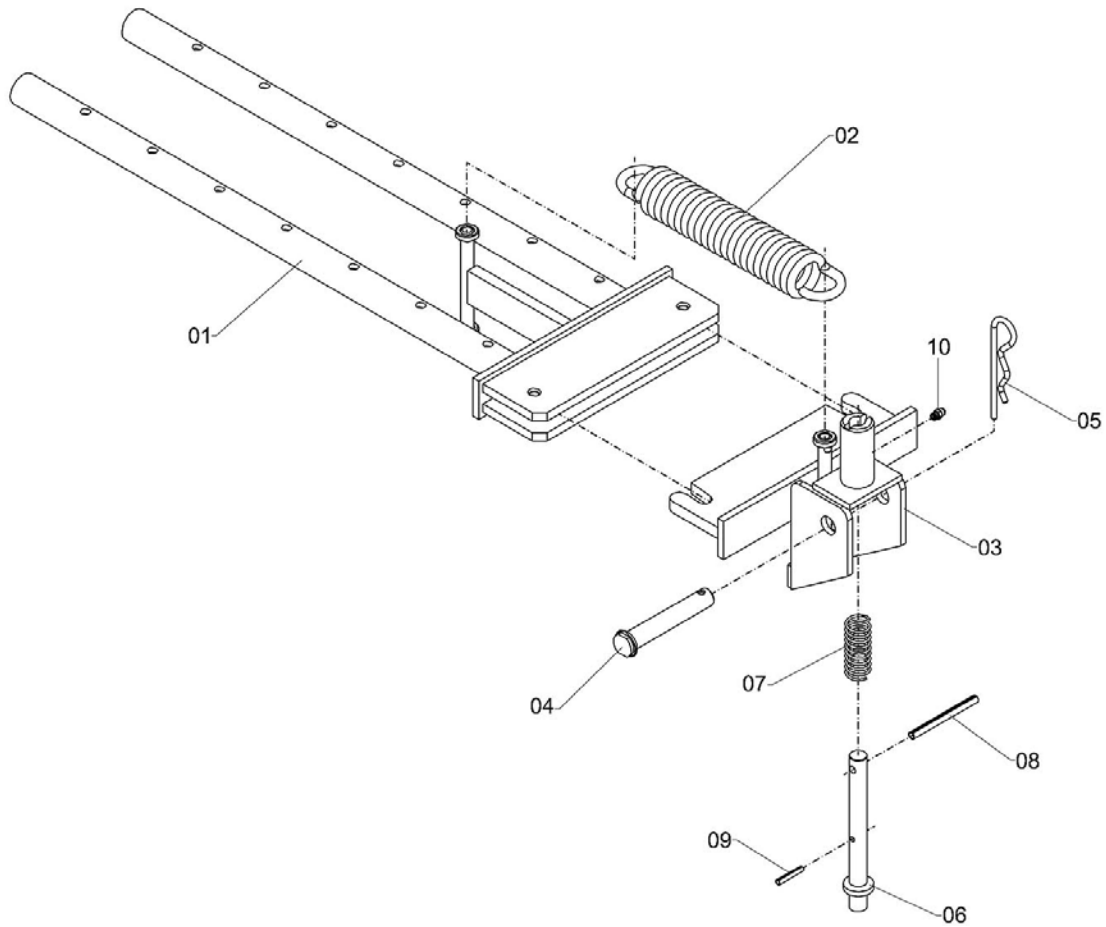


F-12

Item	CODE	DESCRIPTION	Qty.	Item	CODE	DESCRIPTION	Qty.
00	973792	In-line filter II - 80 mesh - Nozzle 1/2"	1				
01	867085	Fitting - 1/2" with flange 23.6	2				
02	322057	Sealing ring - OR1-114	2				
03	874339	Nut for in-line filter	2				
04	873430	Filter body	1				
05	873455	Filtering element - 80 mesh	1				
06	873448	Nut - Filtering element	1				
07	881839	Sealing ring - OR2-124	2				
08	977306	Sealing ring - OR1-227	1				

Controlled copy – Distribution and reproduction prohibited

WIDENER ASSEMBLY - 660 S

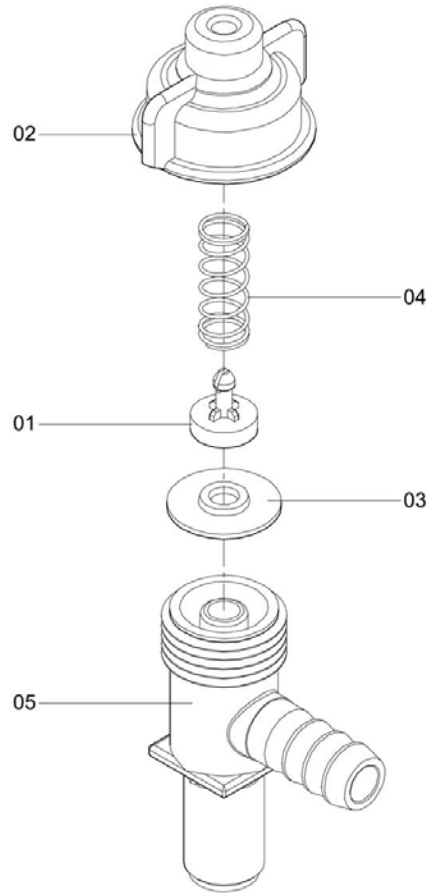


CA-340

Item	CODE	DESCRIPTION	Qty.	Item	CODE	DESCRIPTION	Qty.
00	975920	Widener assembly - 660 S	1				
01	854638	Track width adjuster	2				
02	341875	Tension spring	4				
03	975748	Articulator	2				
04	602912	Coupling pin - 19 x 118	2				
05	517409	Cotter pin - 3/16"	2				
06	104513	Frame lock	2				
07	104505	Compression spring	2				
08	104588	Elastic pin - 5 x 22	2				
09	910224	Elastic pin - 8 x 60	2				
10	366542	Alemite - Grease nipple - M6 x 1.0	2				

Controlled copy – Distribution and reproduction prohibited

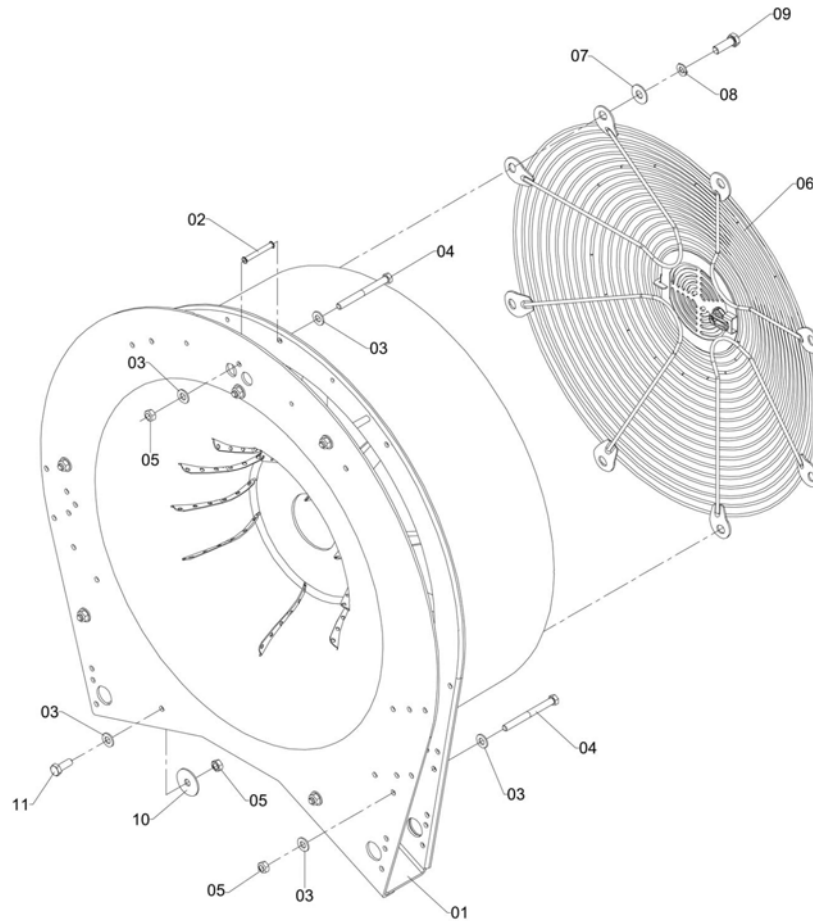
NOZZLE HOLDER (END) WITH ANTI-DRIP VALVE



BC-82

Item	CODE	DESCRIPTION	Qty.	Item	CODE	DESCRIPTION	Qty.
00	163055	Nozzle holder (end) with anti-drip valve	1				
01	333112	Piston	1				
02	333120	Valve cover	1				
03	333138	Diaphragm - viton	1				
04	333153	Compression spring	1				
05	440941	Nozzle holder	1				

DEFLECTOR TOWER ASSEMBLY (9 NOZZLE HOLDERS/36 NOZZLE)

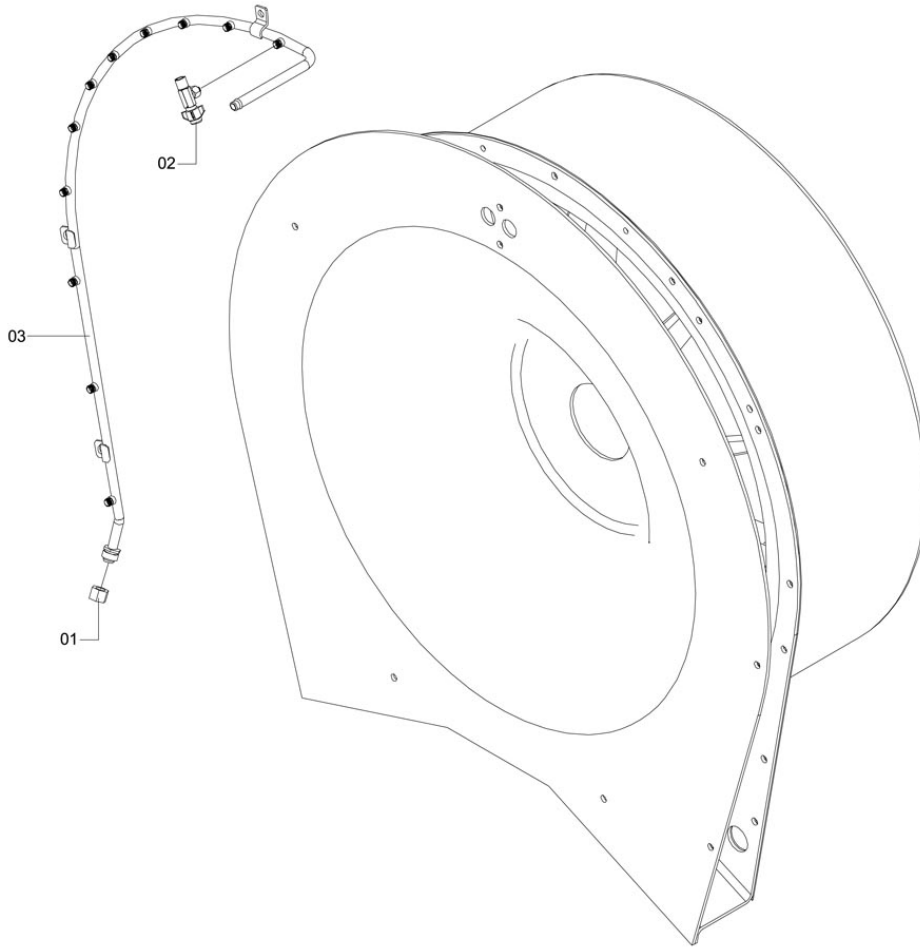


CA-334

Item	CODE	DESCRIPTION	Qty.	Item	CODE	DESCRIPTION	Qty.
00	1220833	Deflector Tower assembly (9 nozzle holders/36 nozzle)	1				
01	019190	Deflector	1				
02	327858	Spacer bushing - 96	1				
03	623884	Flat washer - \varnothing 10.5 x 21 x 3 - stainless steel	17				
04	559575	Bolt - 3/8" x 5. 1/4"	7				
05	108761	Nut 3/8" - 16 UNC	10				
06	434068	Guard screen - assembly	1				
07	420281	Flat washer - \varnothing 8.2 X \varnothing 35 X 3 - steel	8				
08	519736	Locking washer - \varnothing 8	8				
09	820282	Bolt - \varnothing 5/6" - 18 UNC x 1.3/4"	8				
10	507855	Flat washer - 103 x 375 x 30	3				
11	518753	Bolt - 3/8"- 16 UNC x 1.1/4" - 5 degree	3				

Controlled copy – Distribution and reproduction prohibited

RIGHT BRANCH ASSEMBLY (11 NOZZLE)

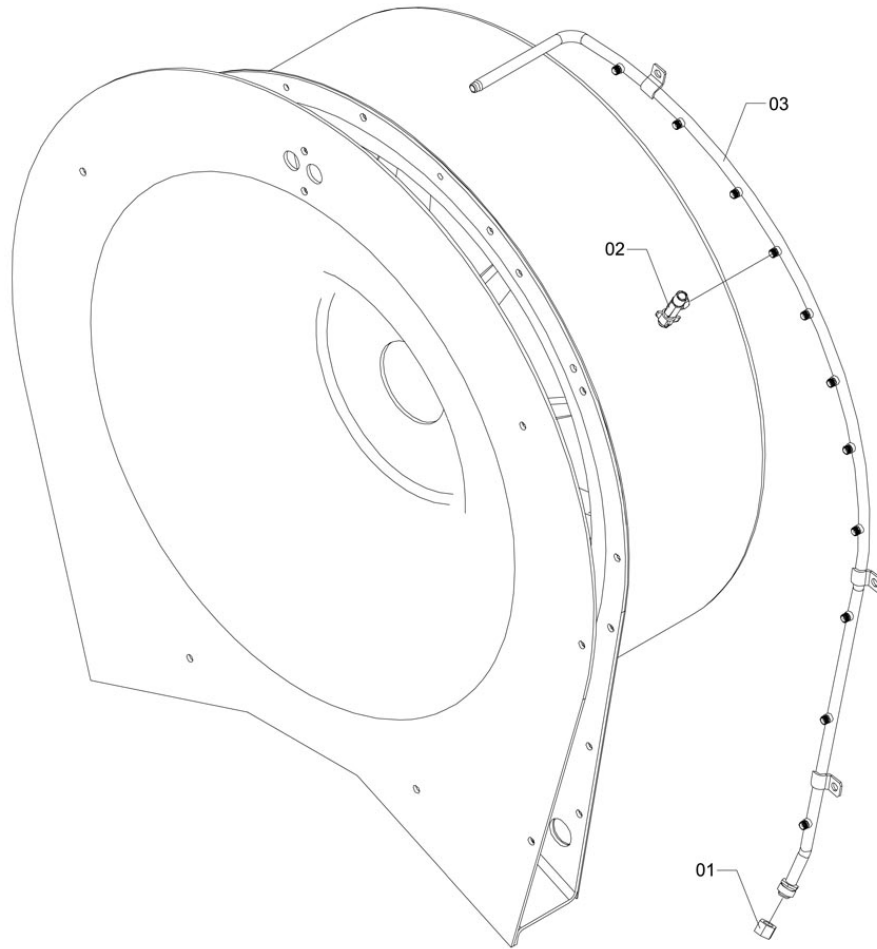


BC-69

Item	CODE	DESCRIPTION	Qty.	Item	CODE	DESCRIPTION	Qty.
00	268698	Right branch assembly (11 nozzle)	1				
01	428862	Blind nut - \varnothing 1/2" - 14 BSP	1				
02	429332	Valve assembly	11				
03	631259	Right nozzle branch	1				

Controlled copy – Distribution and reproduction prohibited

LEFT NOZZLE BRANCH ASSEMBLY FOR 11 NOZZLES

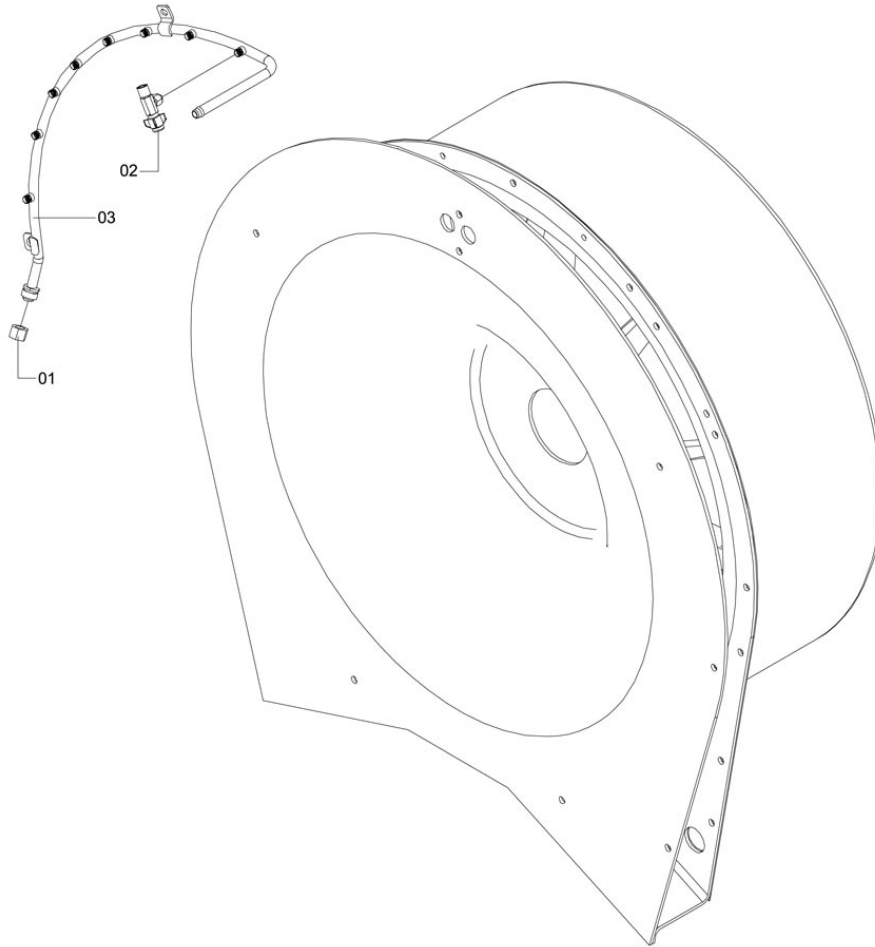


BC-68

Item	CODE	DESCRIPTION	Qty.	Item	CODE	DESCRIPTION	Qty.
00	271361	Left nozzle branch assembly for 11 nozzles	1				
01	428862	Blind nut - \varnothing 1/2" - 14 BSP	1				
02	429332	Valve assembly	11				
03	631275	Left nozzle branch	1				

Controlled copy – Distribution and reproduction prohibited

RIGHT BRANCH ASSEMBLY (8 NOZZLE)

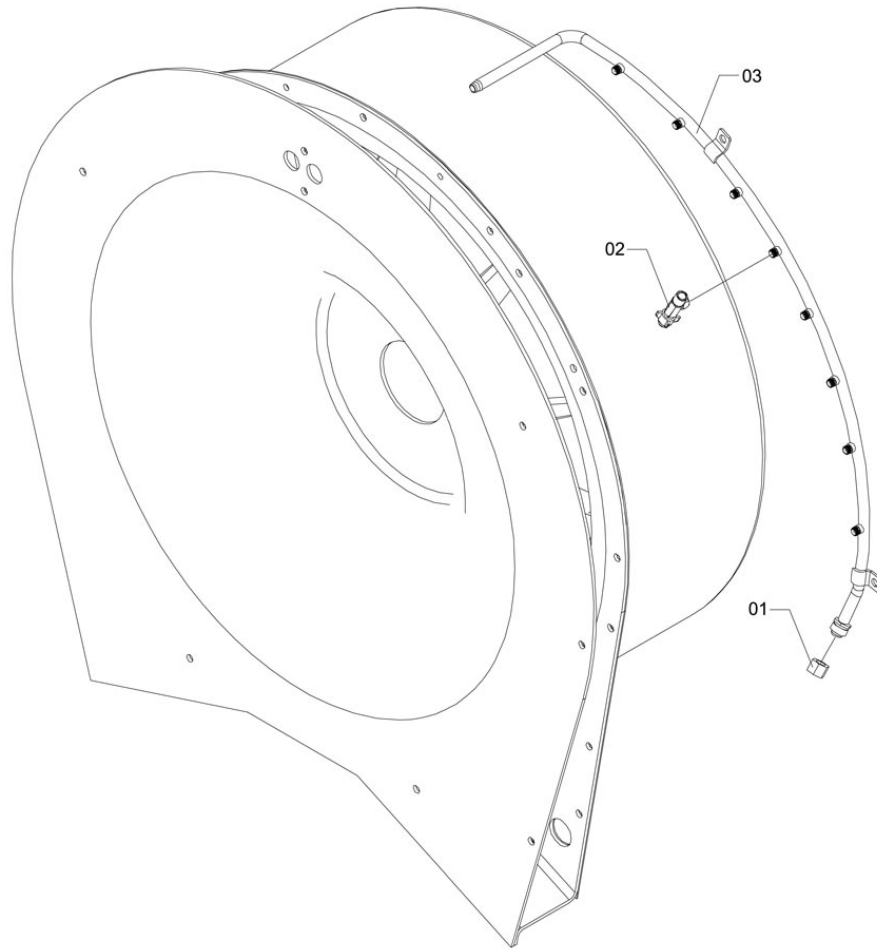


BC-71

Item	CODE	DESCRIPTION	Qty.	Item	CODE	DESCRIPTION	Qty.
00	143487	Right branch assembly (8 nozzle)	1				
01	428862	Blind nut - ø 1/2" - 14 BSP	1				
02	429332	Valve assembly	8				
03	945758	Right nozzle branch	1				

Controlled copy – Distribution and reproduction prohibited

LEFT BRANCH ASSEMBLY (8 NOZZLE)

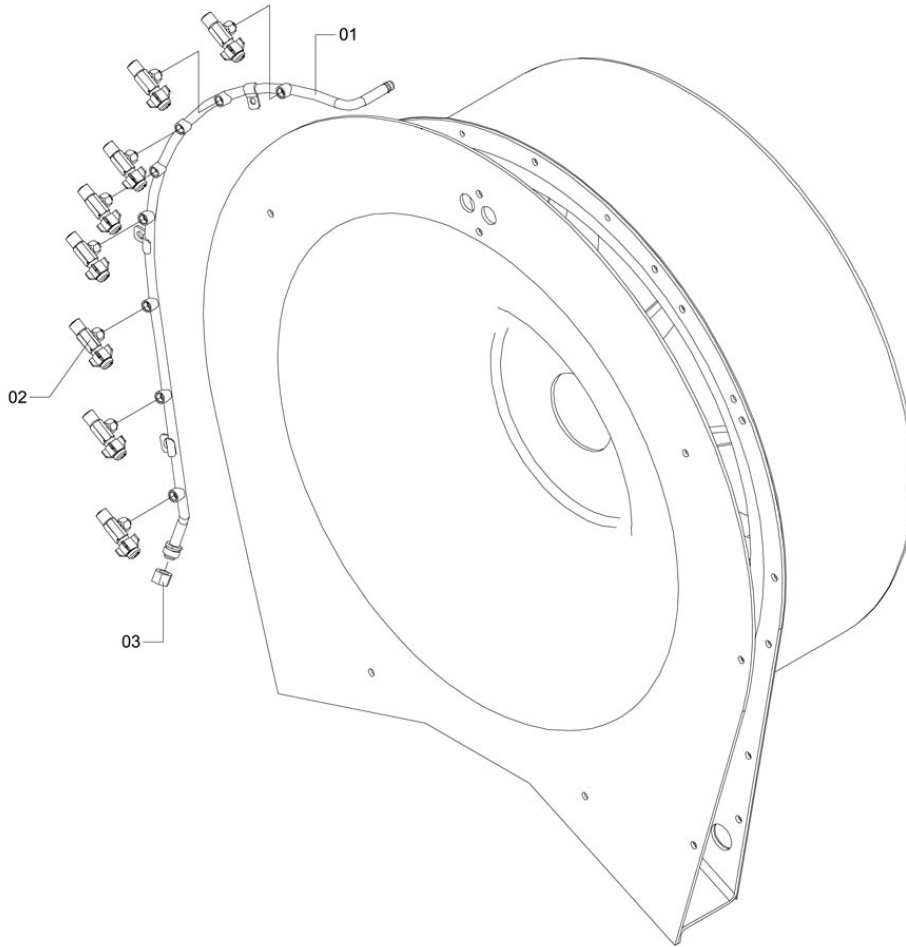


BC-70

Item	CODE	DESCRIPTION	Qty.	Item	CODE	DESCRIPTION	Qty.
00	186510	Left branch assembly (8 nozzle)	1				
01	428862	Blind nut - \varnothing 1/2" - 14 BSP	1				
02	429332	Valve assembly	8				
03	945782	Left nozzle branch	1				

Controlled copy – Distribution and reproduction prohibited

RIGHT NOZZLE BRANCH ASSEMBLY FOR 8 NOZZLES

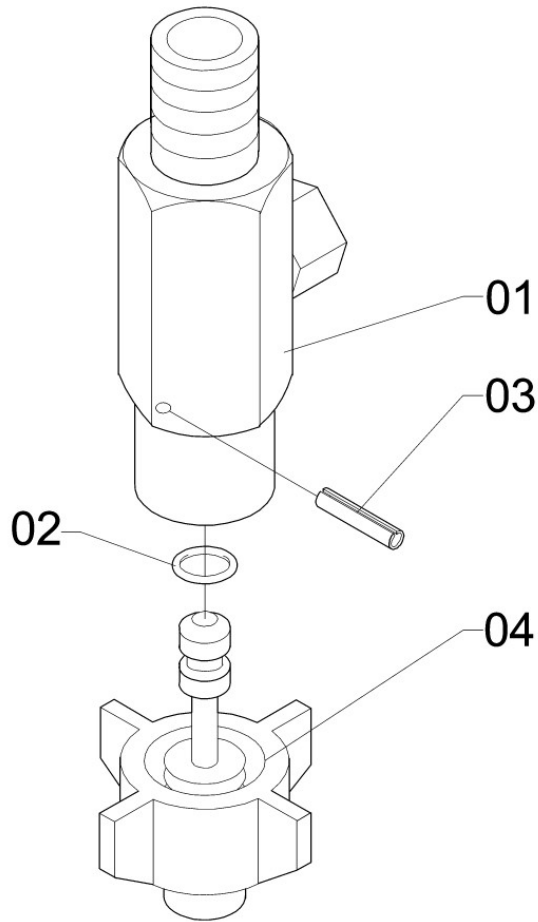


CA-233

Item	CODE	DESCRIPTION	Qty.	Item	CODE	DESCRIPTION	Qty.
00	193532	Right nozzle branch assembly for 8 nozzles	1				
01	116699	Right nozzle branch	1				
02	429332	Valve assembly	8				
03	428862	Blind nut - \varnothing 1/2" - 14 BSP	1				

Controlled copy – Distribution and reproduction prohibited

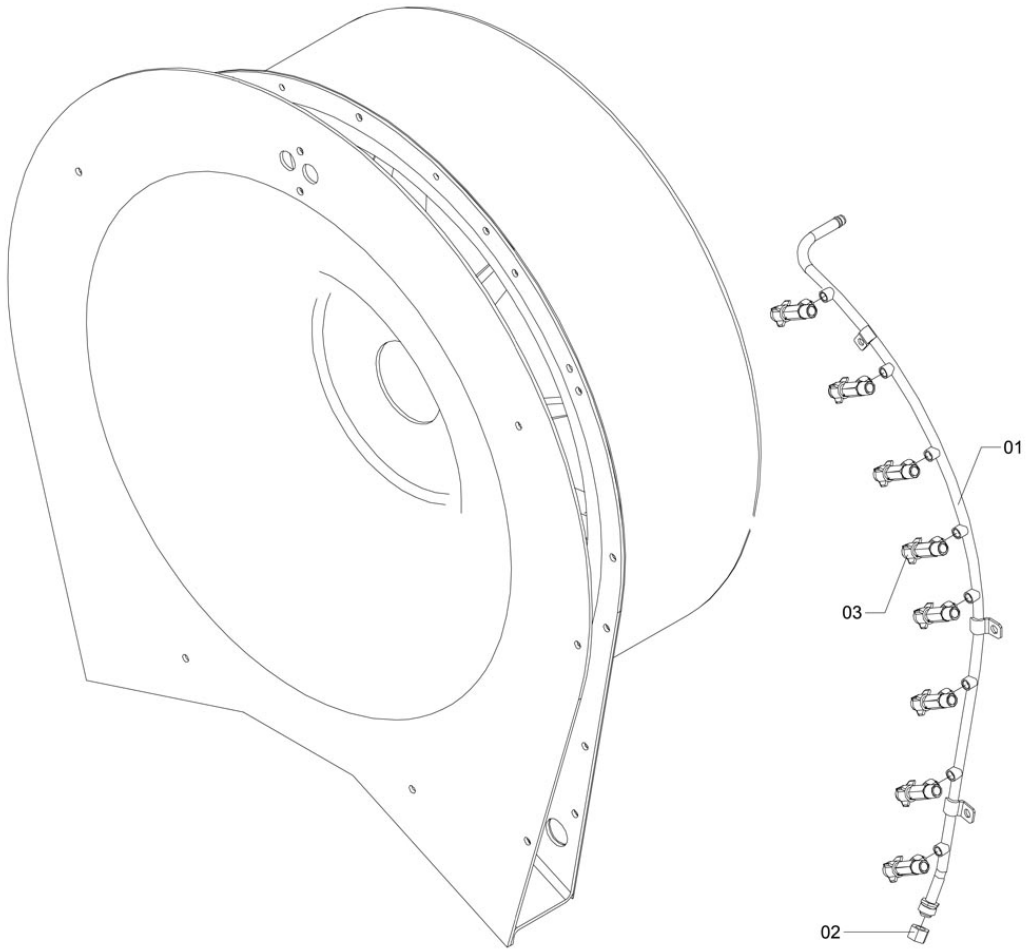
VALVE ASSEMBLY



BC-37

Item	CODE	DESCRIPTION	Qty.	Item	CODE	DESCRIPTION	Qty.
00	429332	Valve assembly	1				
01	716985	Fitting	1				
02	426114	Sealing ring	1				
03	426155	Pin 19	1				
04	717009	Trigger valve rod	1				

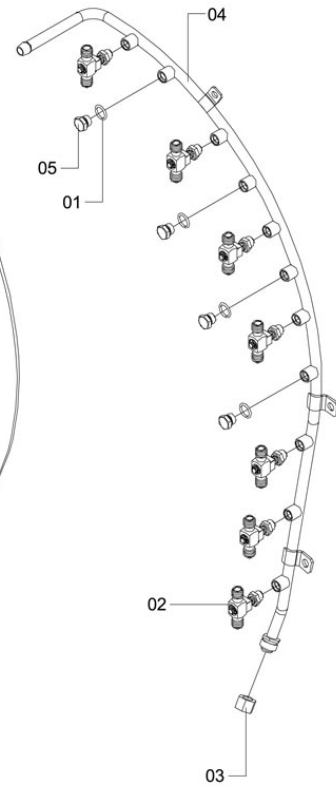
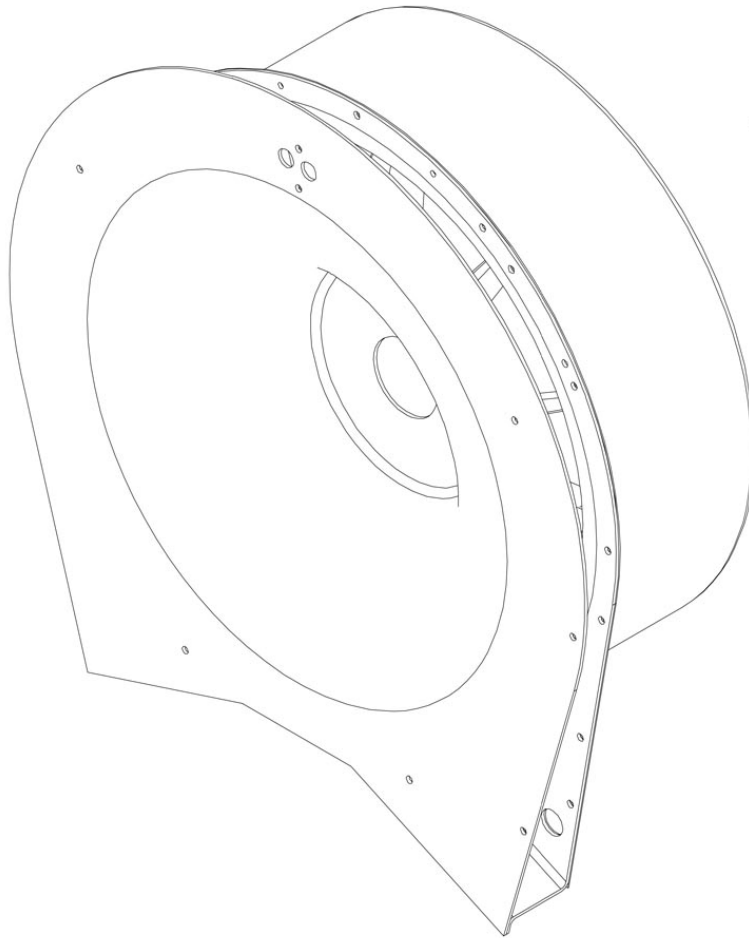
LEFT NOZZLE BRANCH ASSEMBLY FOR 8 NOZZLE HOLDERS



CA-232

Item	CODE	DESCRIPTION	Qty.	Item	CODE	DESCRIPTION	Qty.
00	177162	Left nozzle branch assembly for 8 nozzle holders	1				
01	116707	Left nozzle branch	1				
02	428862	Blind nut - \varnothing 1/2" - 14 BSP	1				
03	429332	Valve assembly	8				

LEFT NOZZLE BRANCH ASSEMBLY FOR 7 BIJET NOZZLE HOLDER

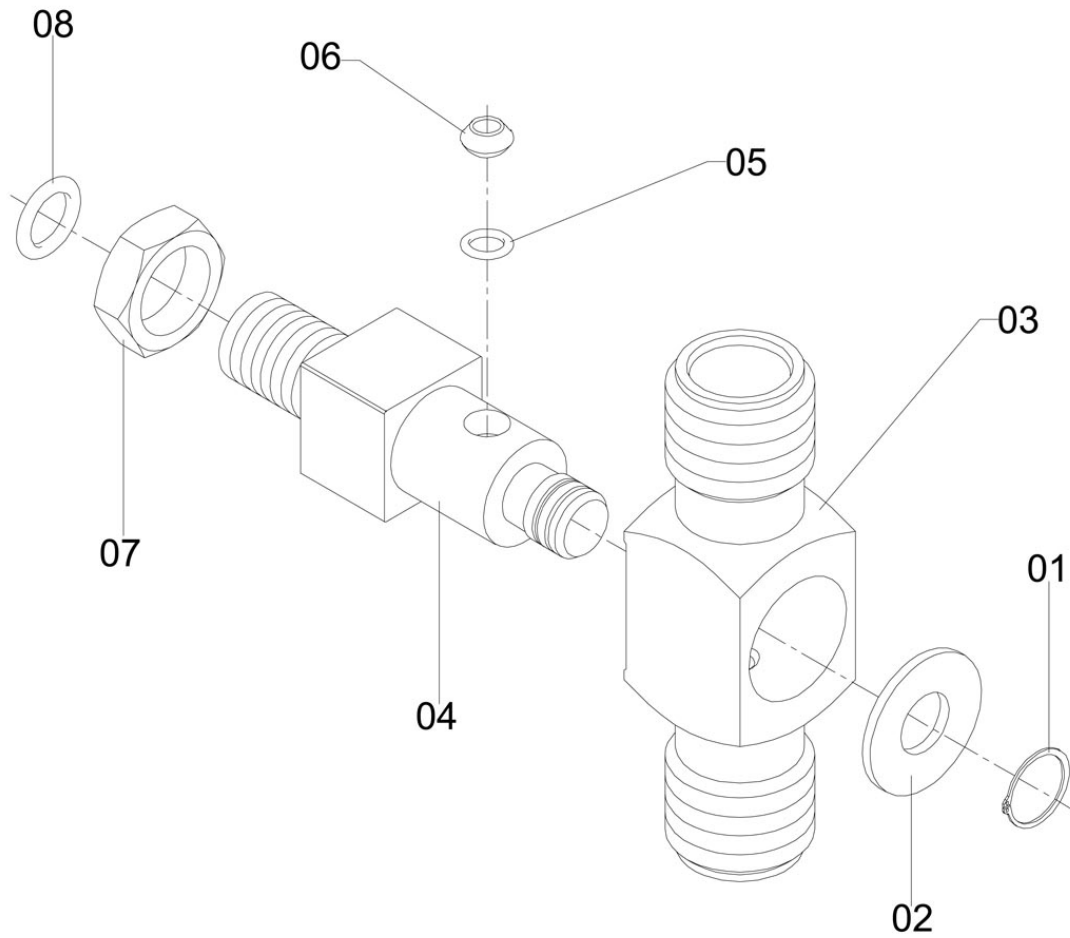


CA-230

Item	CODE	DESCRIPTION	Qty.	Item	CODE	DESCRIPTION	Qty.
00	554451	Left nozzle branch assembly for 7 bijet nozzle holder	1				
01	120097	Sealing ring - OR1-013	4				
02	340802	Bijet nozzle holder	7				
03	428862	Blind nut - ø 1/2" - 14 BSP	1				
04	553792	Left nozzle branch	1				
05	555680	Plug - 1/4" BSP	4				

Controlled copy – Distribution and reproduction prohibited

BIJET NOZZLE HOLDER

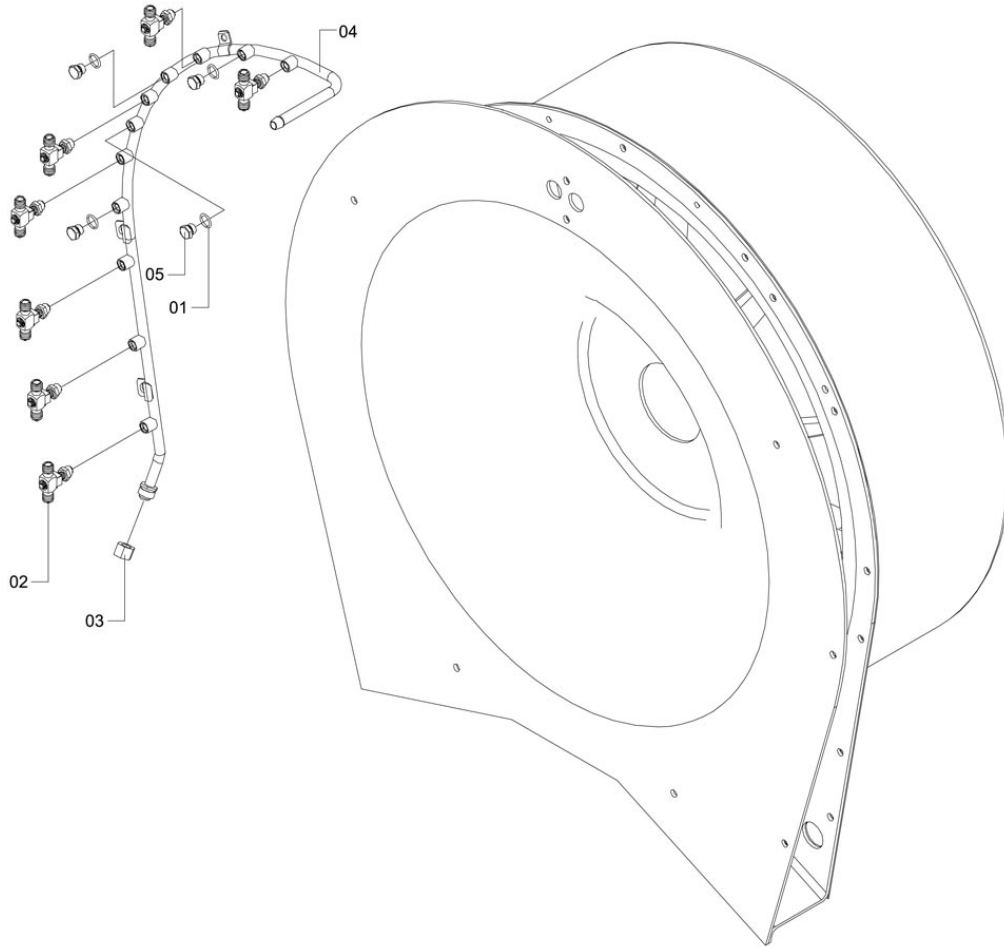


BC-63

Item	CODE	DESCRIPTION	Qty.	Item	CODE	DESCRIPTION	Qty.
00	340802	Bijet nozzle holder	1				
01	340844	Snap ring for shaft - ø9	1				
02	340836	Wavy washer	1				
03	340810	Bijet nozzle holder	1				
04	454991	Nozzle holder support 51.5	1				
05	340851	Sealing ring - OR2 - 201	1				
06	340828	Seal	1				
07	441154	Nut - ø 1/4" BSP - 18 F.P.P.	1				
08	120097	Sealing ring - OR1-013	1				

Controlled copy – Distribution and reproduction prohibited

RIGHT NOZZLE BRANCH ASSEMBLY FOR 7 NOZZLES - BIJET

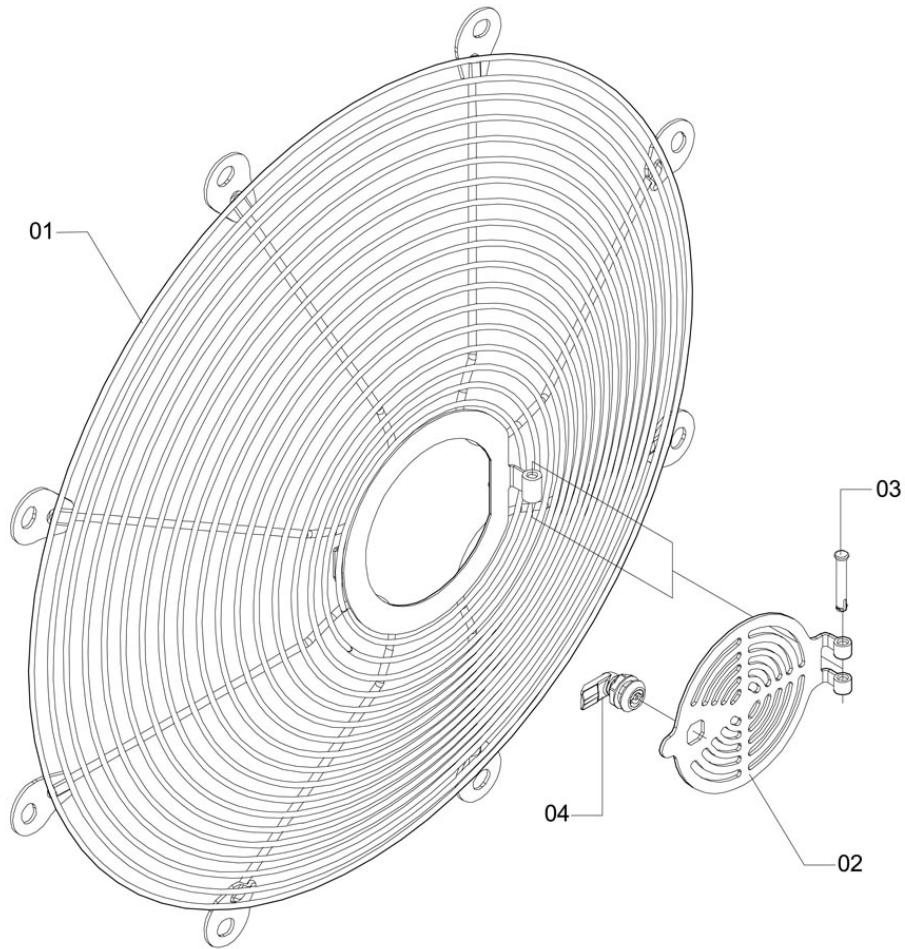


CA-229

Item	CODE	DESCRIPTION	Qty.	Item	CODE	DESCRIPTION	Qty.
00	554444	Right nozzle branch assembly for 7 nozzles - Bijet	1				
01	120097	Sealing ring - OR1-013	4				
02	340802	Bijet nozzle holder	7				
03	428862	Blind nut - ø 1/2" - 14 BSP	1				
04	553842	Right nozzle branch	1				
05	555680	Plug - 1/4" BSP	4				

Controlled copy – Distribution and reproduction prohibited

GUARD SCREEN - ASSEMBLY

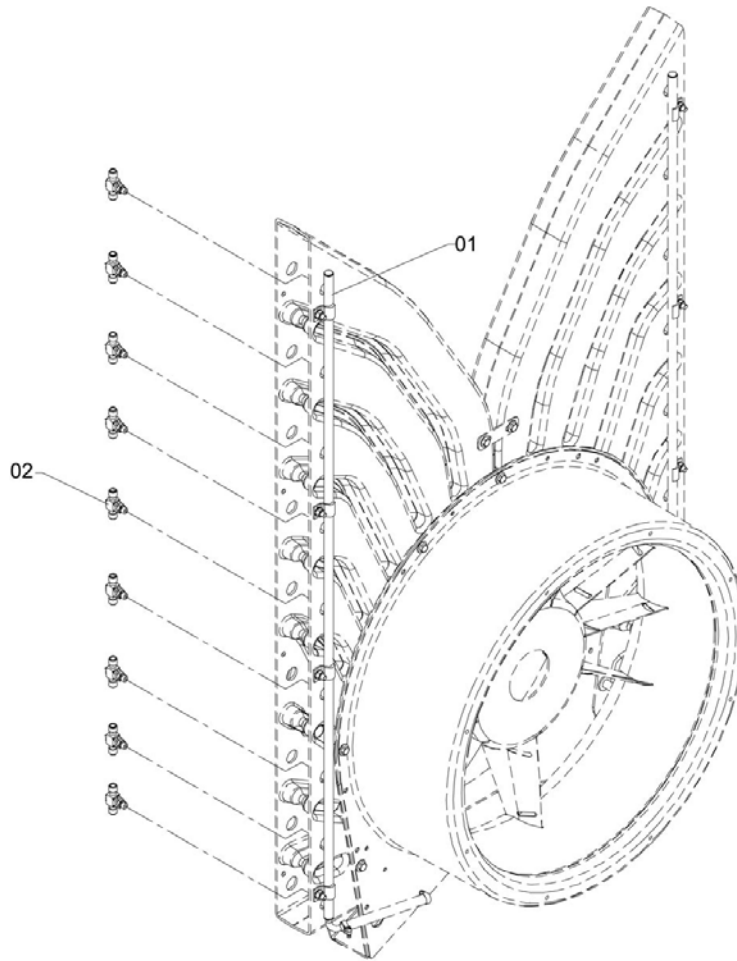


CA-217

Item	CODE	DESCRIPTION	Qty.	Item	CODE	DESCRIPTION	Qty.
00	434068	Guard screen - assembly	1				
01	1178306	Protection grid - ø 75	1				
02	1165899	Grid unlock	1				
03	847912	Agrochemical mixer articulator pin	1				
04	1169820	Plastic stop latch key	1				

Controlled copy – Distribution and reproduction prohibited

LEFT NOZZLE BRANCH ASSEMBLY - 9 NOZZLE

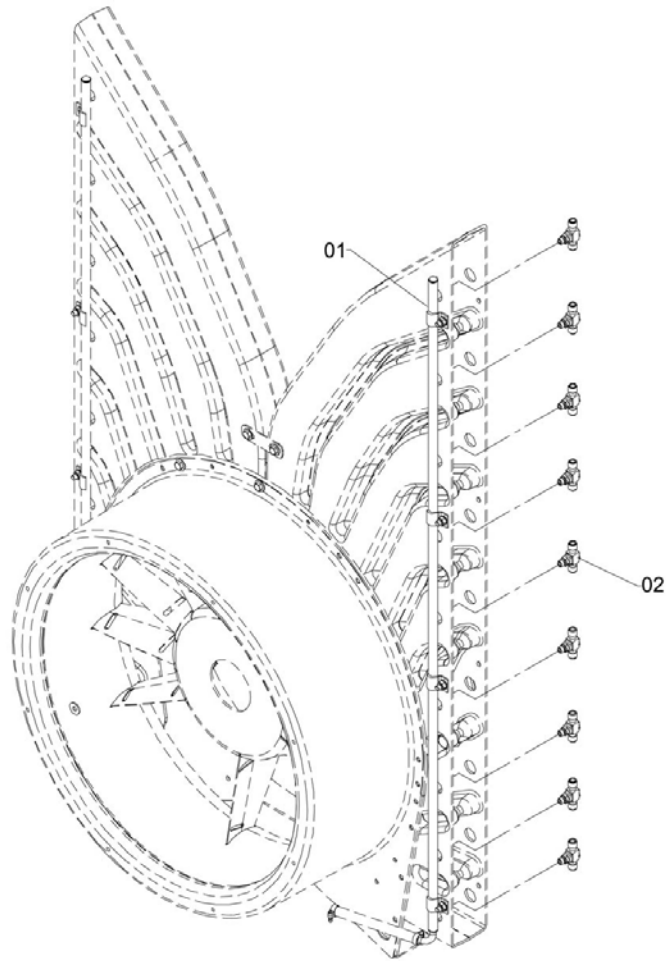


CA-322

Item	CODE	DESCRIPTION	Qty.	Item	CODE	DESCRIPTION	Qty.
00	1197769	Left nozzle branch assembly - 9 nozzle	1				
01	1197391	Left nozzle branch - 9 nozzles	1				
02	340802	Bijet nozzle holder	9				

Controlled copy – Distribution and reproduction prohibited

RIGHT NOZZLE BRANCH ASSEMBLY - 9 NOZZLES



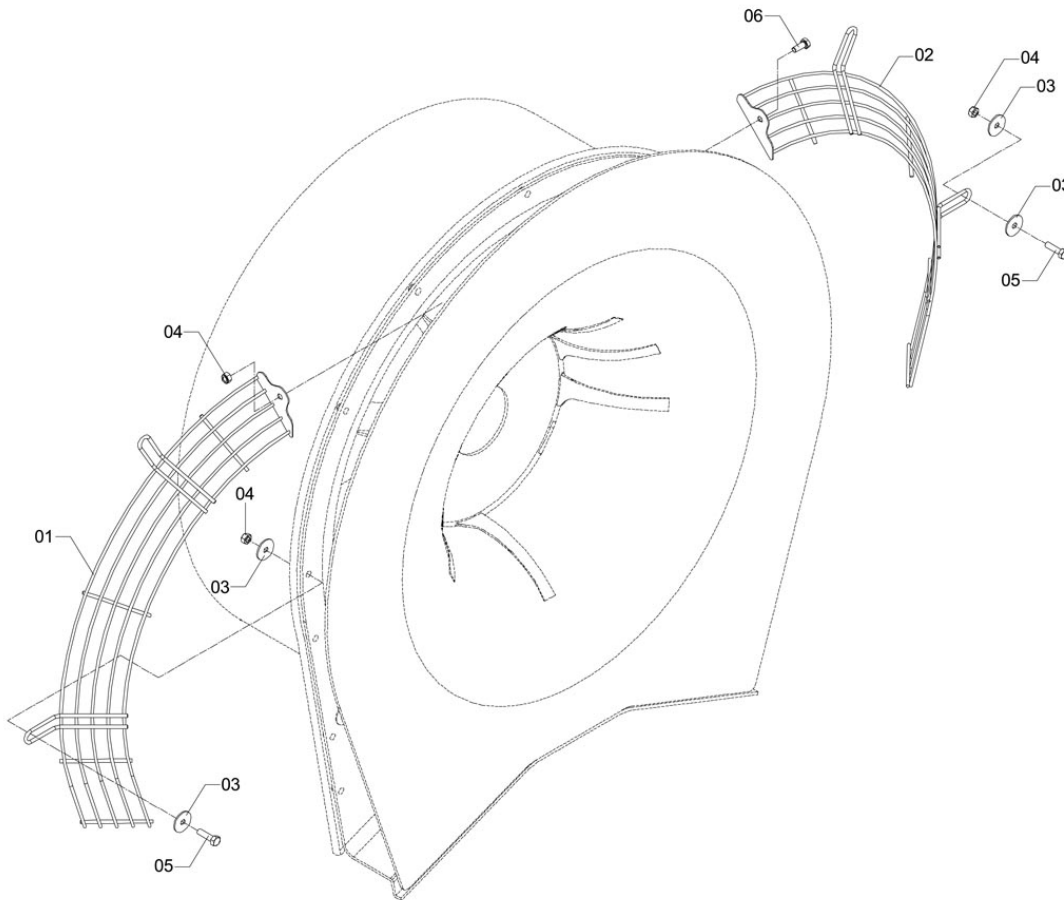
CA-323

Item	CODE	DESCRIPTION	Qty.
00	1197767	Right nozzle branch assembly - 9 nozzles	1
01	1197297	Right nozzle branch - 9 nozzles	1
02	340802	Bijet nozzle holder	9

Item	CODE	DESCRIPTION	Qty.

Controlled copy – Distribution and reproduction prohibited

SIDE PROTECTION GRID ASSEMBLY

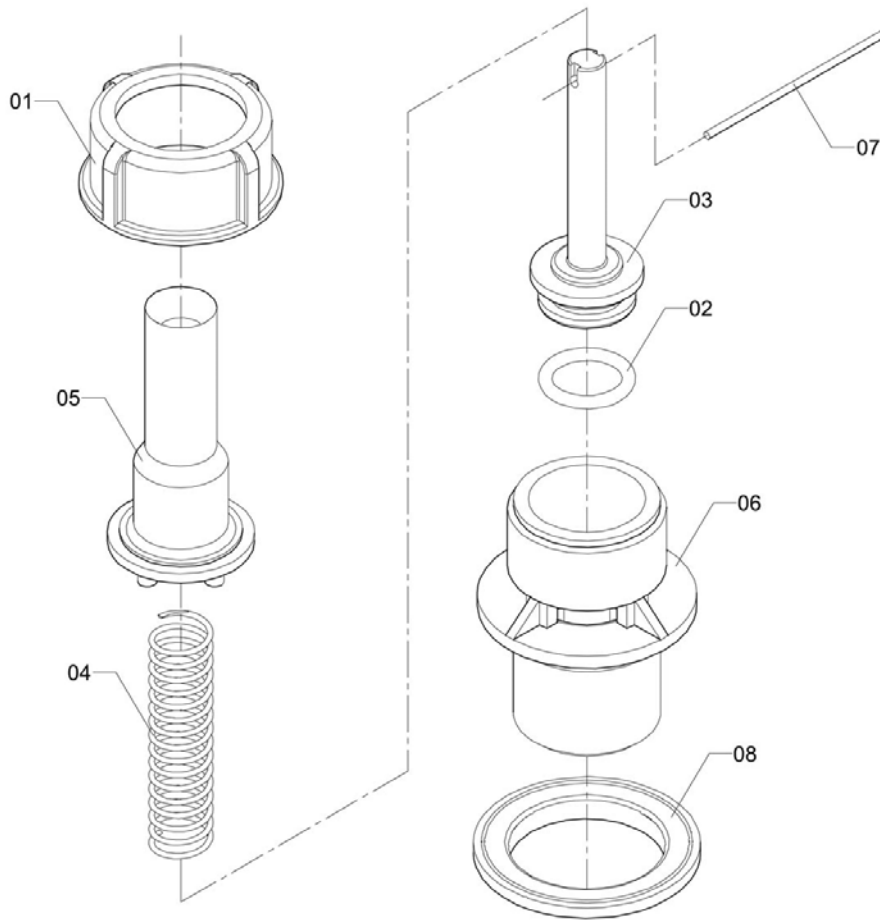


C-433

Item	CODE	DESCRIPTION	Qty.	Item	CODE	DESCRIPTION	Qty.
00	1180751	Side protection grid assembly	1				
01	1180734	Right side protection grid	1				
02	1180748	Left side protection grid	1				
03	1161451	Flat washer - $\varnothing 8.7 \times \varnothing 32 \times 1.98$ - stainless steel	4				
04	411272	Nylon-insert lock nut - M 8 x 1.25 - Stainless steel	3				
05	448233	Bolt - M8 x 30 x 1.25	2				
06	924746	Hex bolt - M8 x 20 x 1.25 - Stainless steel	1				

Controlled copy – Distribution and reproduction prohibited

TRANSFER VALVE

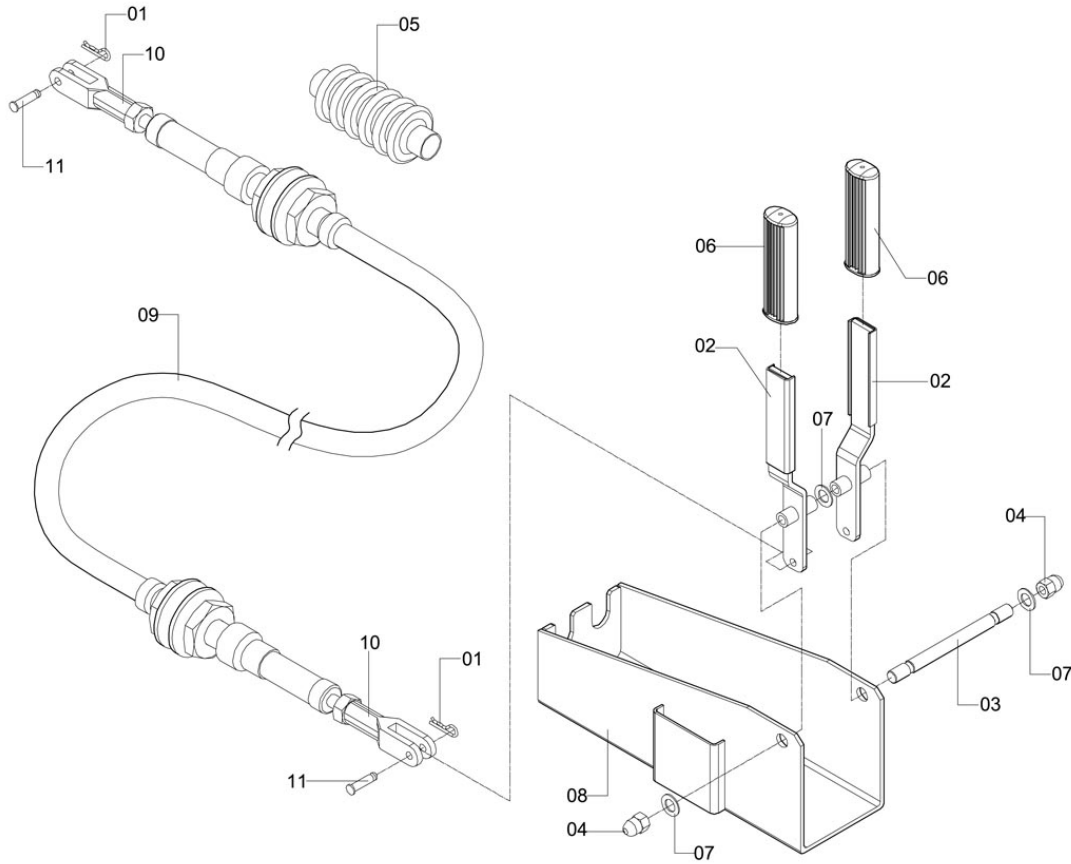


CV-669

Item	CODE	DESCRIPTION	Qty.	Item	CODE	DESCRIPTION	Qty.
00	169417	Transfer valve	1				
01	005884	Round nut - 1.1/4" BSP	1				
02	706812	Sealing ring - ORI-210	1				
03	840975	Spring guide	1				
04	840983	Compression spring	1				
05	840991	Valve body	1				
06	841049	Valve base	1				
07	135624	Rope - Ø 2.00 x 1350	1				
08	088245	Sealing ring	1				

Controlled copy – Distribution and reproduction prohibited

ACTUATOR

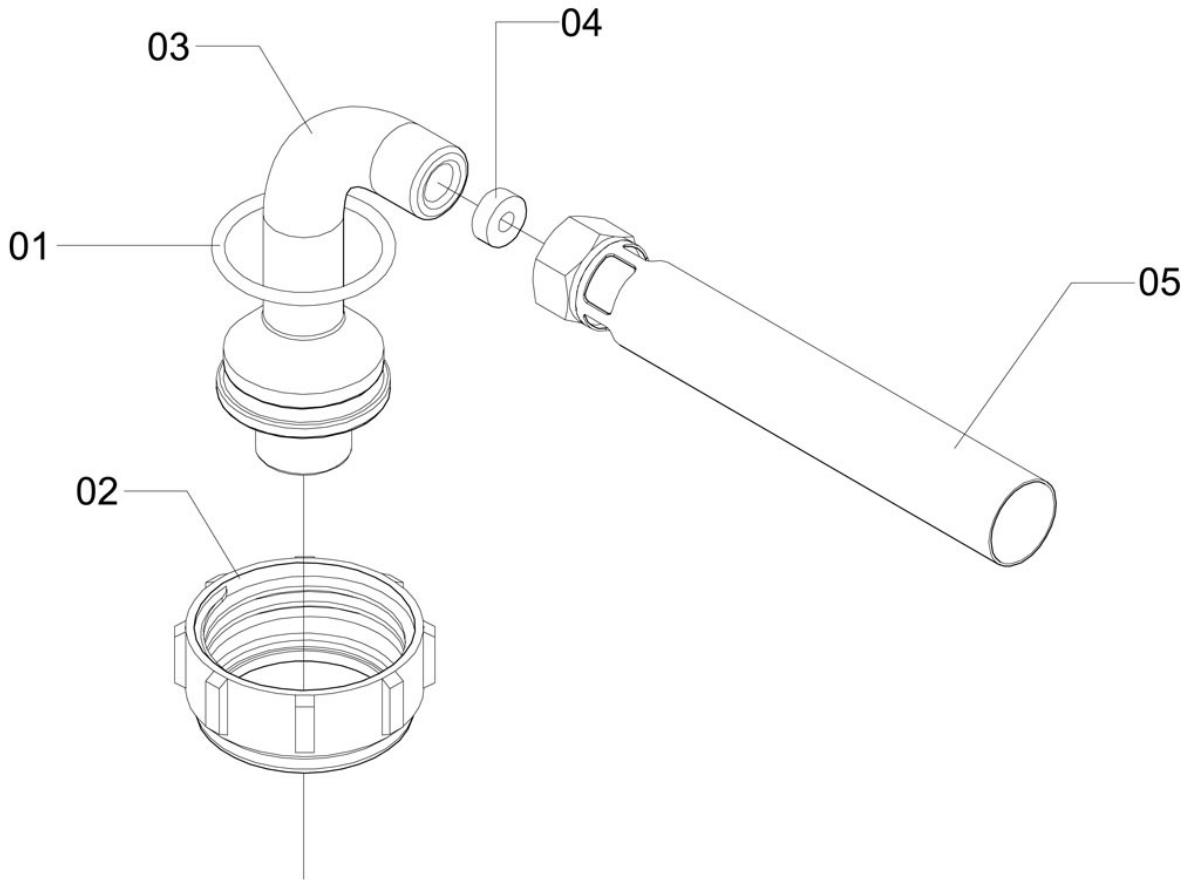


CV-463

Item	CODE	DESCRIPTION	Qty.	Item	CODE	DESCRIPTION	Qty.
00	159830	Actuator	1				
01	942904	Cotter pin - \varnothing 2.1 x 84.5	4				
02	356741	Operating lever	2				
03	947762	Stud bolt - M8 x 98 x 1.25	1				
04	945832	Blind hex nut - M8 x 1.0	2				
05	058164	Bellow protection	2				
06	002683	Handrip	2				
07	013433	Flat washer - \varnothing 8.4 x \varnothing 16 x 1.6 steel	3				
08	431700	Actuator support	1				
09	991414	Control flexible cable	2				
10	458323	Fork - 53.5	4				
11	431510	Pivot pin	4				

Controlled copy – Distribution and reproduction prohibited

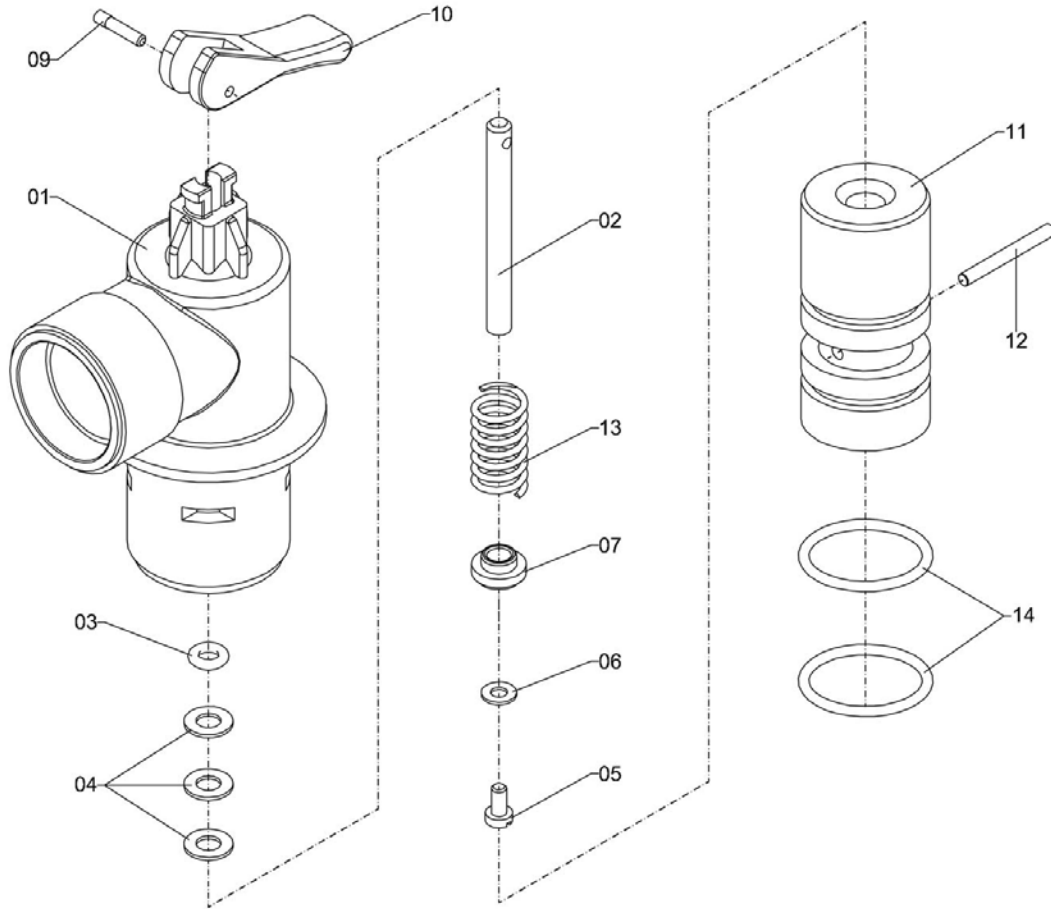
HYDRAULIC AGITATOR



MM-3

Item	CODE	DESCRIPTION	Qty.	Item	CODE	DESCRIPTION	Qty.
00	628693	Hydraulic agitator	1				
01	429118	Sealing ring - ORI-226	1				
02	005900	Lock nut - Filter	1				
03	429001	Hydraulic agitator body	1				
04	628685	Dosing unit - ø 7.55	1				
05	429076	Conductor	1				

VALVE - CONTAINER CLEANING NOZZLE

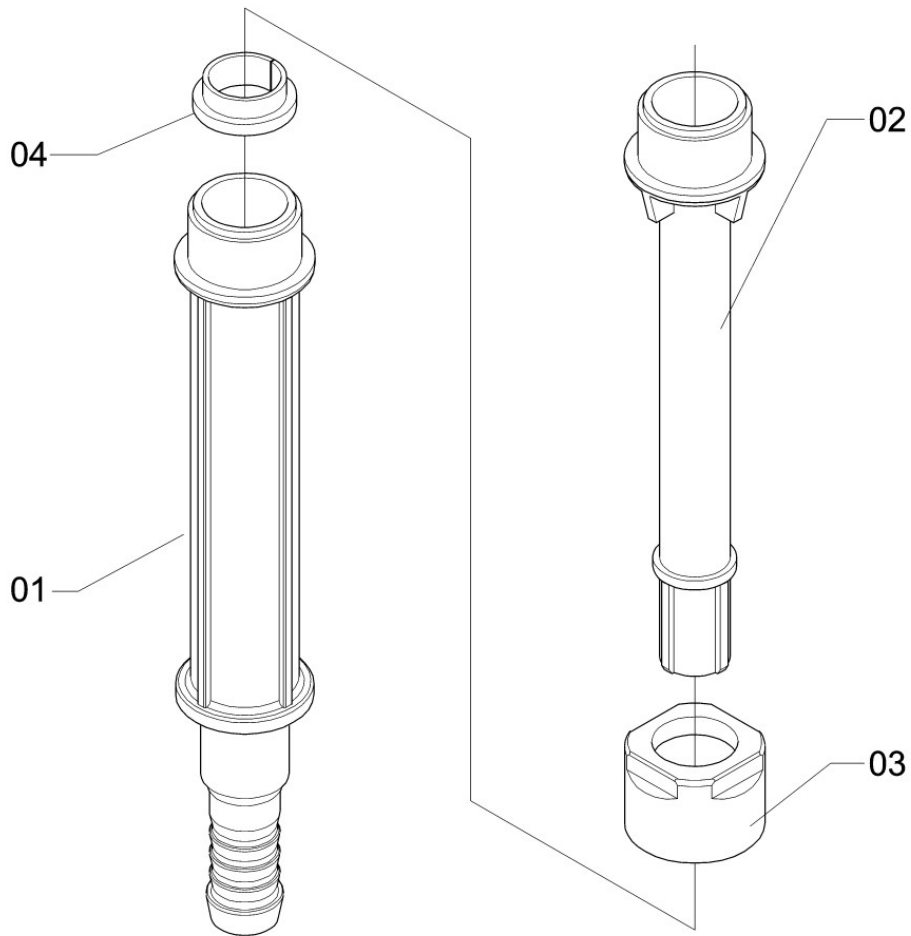


CV-108

Item	CODE	DESCRIPTION	Qty.	Item	CODE	DESCRIPTION	Qty.
00	136879	Valve - container cleaning nozzle	1				
01	054403	Valve body	1				
02	049841	Spring guide pin	1				
03	050237	Sealing ring - OR2-108	1				
04	050195	Flat washer - 64 x 125 x 95 - stainless steel	3				
05	050211	Slotted bolt - M4 x 8	1				
06	050187	Flat washer - Ø4.3 x Ø9 x 0.8 - stainless steel	1				
07	048199	Seal	1				
08	050203	Flat washer - 90 x 142 x 95	1				
09	049858	Lever pin	1				
10	054445	Rinse nozzle lever	1				
11	136853	Valve core	1				
12	136861	Lock pin	1				
13	044057	Compression spring - Ø12.7	1				
14	011668	O-ring OR1-122	2				

Controlled copy – Distribution and reproduction prohibited

CHEMICAL CONTAINER CLEANING NOZZLE ROD



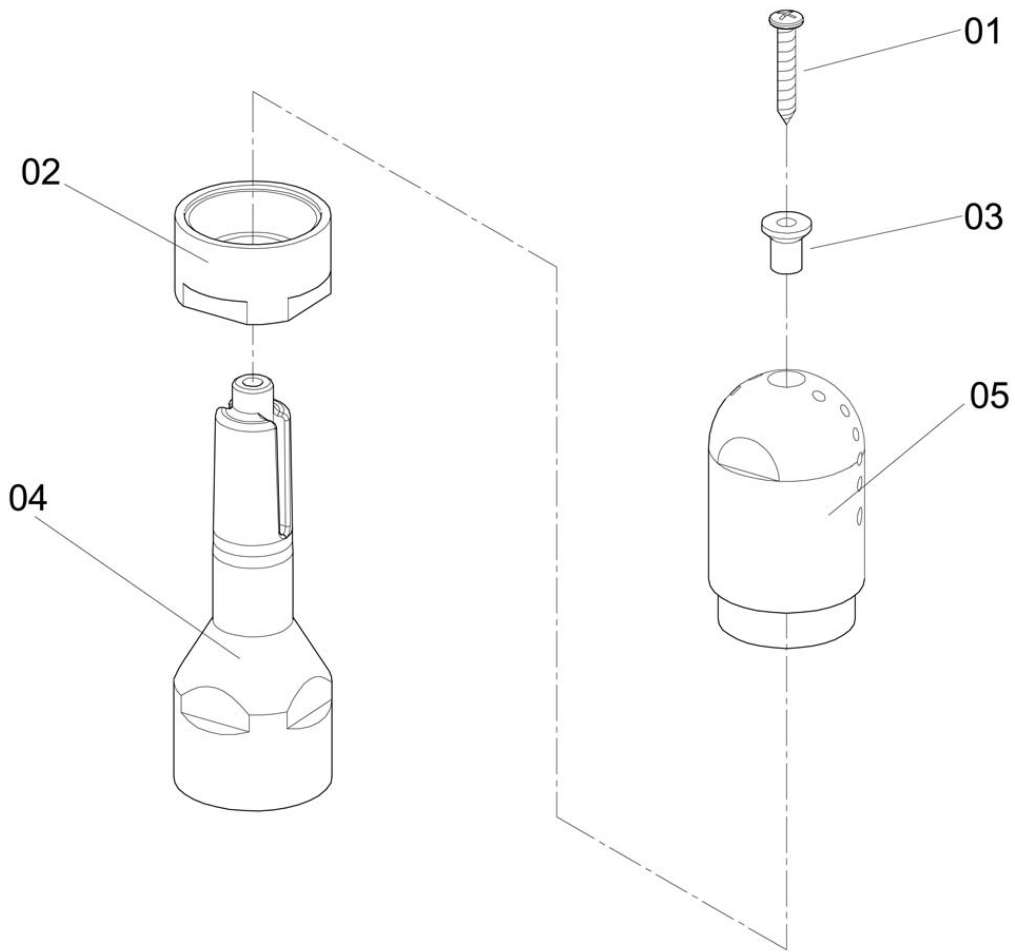
KIT-76

Item	CODE	DESCRIPTION	Qty.
00	088237	Chemical container cleaning nozzle rod	1
01	058834	Nozzle rod	1
02	083907	Rod extension	1
03	087882	Extension nut	1
04	134221	Retaining ring	1

Item	CODE	DESCRIPTION	Qty.

Controlled copy – Distribution and reproduction prohibited

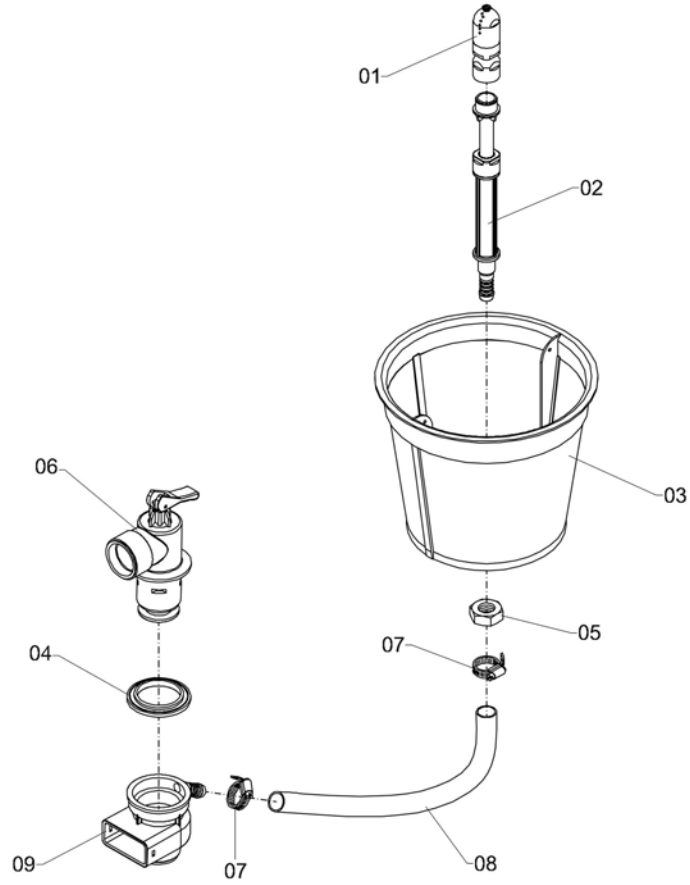
RINSE NOZZLE



KIT-75

Item	CODE	DESCRIPTION	Qty.	Item	CODE	DESCRIPTION	Qty.
00	071944	Rinse nozzle	1				
01	997197	Pan head screw - 3.0 x 16	1				
02	059055	Nozzle nut	1				
03	061119	Bushing	1				
04	058909	Nozzle core	1				
05	060426	Nozzle body	1				

CHEMICAL CONTAINER CLEANING NOZZLE - NR 8

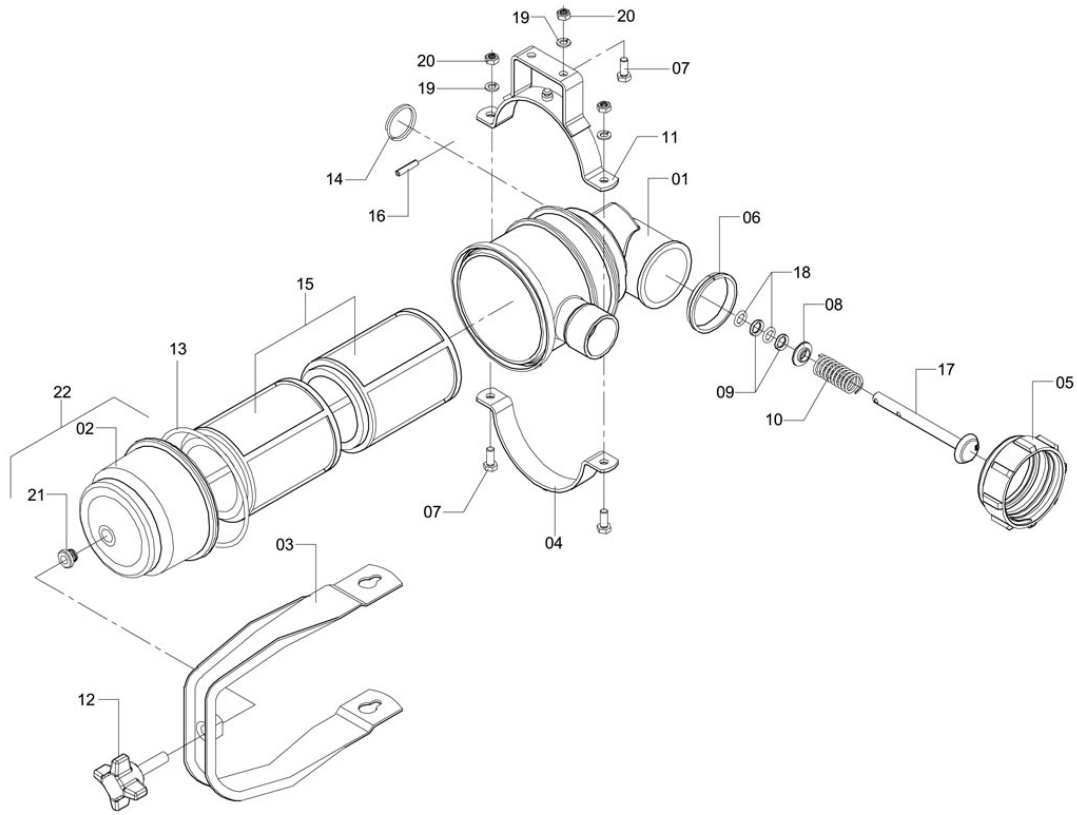


KIT-166

Item	CODE	DESCRIPTION	Qty.	Item	CODE	DESCRIPTION	Qty.
00	136648	Chemical container cleaning nozzle - NR 8	1				
01	071944	Rinse nozzle	1				
02	088237	Chemical container cleaning nozzle rod	1				
03	061788	Strainer - 190-2T	1				
04	088245	Sealing ring	2				
05	938498	Hex nut - M16 x 2.00	1				
06	136879	Valve - container cleaning nozzle	1				
07	107664	Clamp D14-22 - stainless steel	2				
08	071886	Hose - Ø 12.7 (1/2") x 600	1				
09	054411	Valve fastener	1				

Controlled copy – Distribution and reproduction prohibited

SUCTION FILTER WITH VALVE FOR 100 L

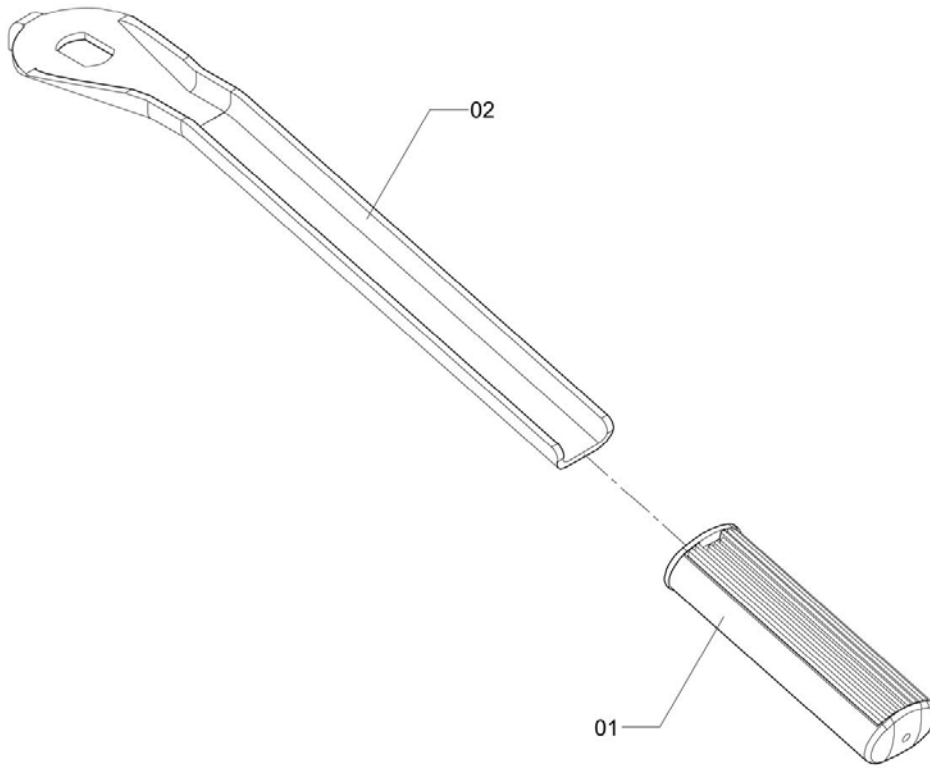


F-66

Item	CODE	DESCRIPTION	Qty.	Item	CODE	DESCRIPTION	Qty.
00	425959	Suction filter with valve for 100 L	1				
01	005785	Filter body	1				
02	006007	Cap - FVS 100	1				
03	005827	Filter handle	1				
04	005850	Half-strap	1				
05	005900	Lock nut - Filter	1				
06	005918	Retaining ring	1				
07	810697	Hex head bolt - M6 x 1 x 20 - CL. 8.8	4				
08	005967	Spring seat	1				
09	005975	Washer	2				
10	006148	Compression spring - Stainless steel	1				
11	010967	Half-strap with support	1				
12	011734	Knobbed screw	1				
13	012138	Sealing ring - OR1-241	1				
14	012146	Ring - ø40	1				
15	425926	Double filtering element - mesh 30	1				
16	105288	Heavy elastic pin - 4 x 20	1				
17	110817	Valve	1				
18	416669	Sealing ring - OR1-110	2				
19	521666	Locking washer - ø6 - steel	4				
20	730309	Hex nut - M6 x 1.00 - Stainless steel	4				
21	006015	Valve seat	1				
22	005793	Filter cover	1				

Controlled copy – Distribution and reproduction prohibited

LEVER

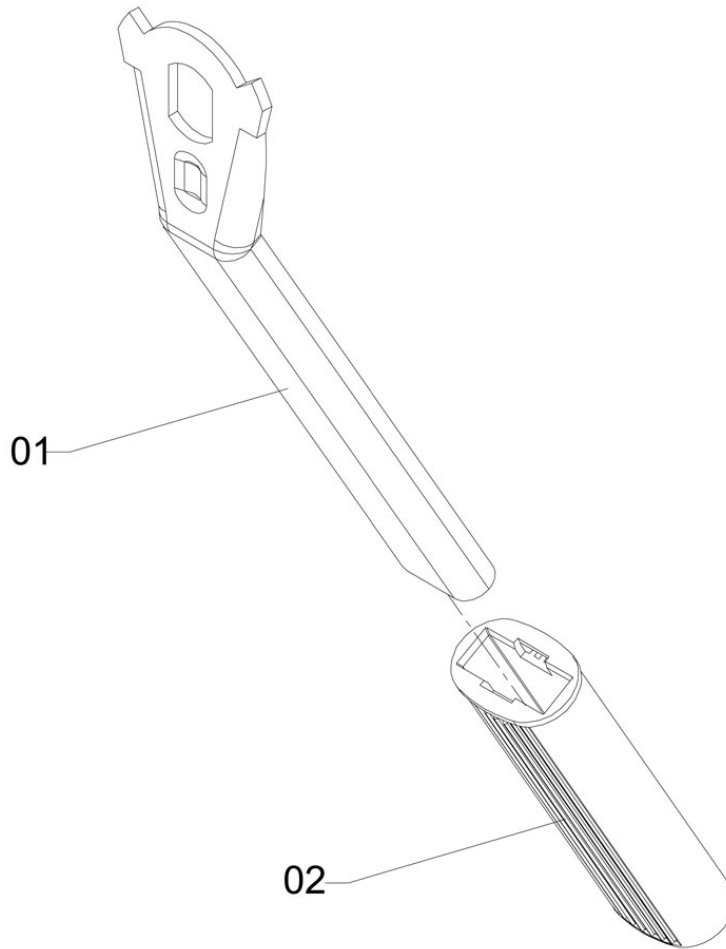


CV-551

Item	CODE	DESCRIPTION	Qty.
00	010561	Lever	1
01	002683	Handrip	1
02	530865	Lever body	1

Item	CODE	DESCRIPTION	Qty.

LEVER

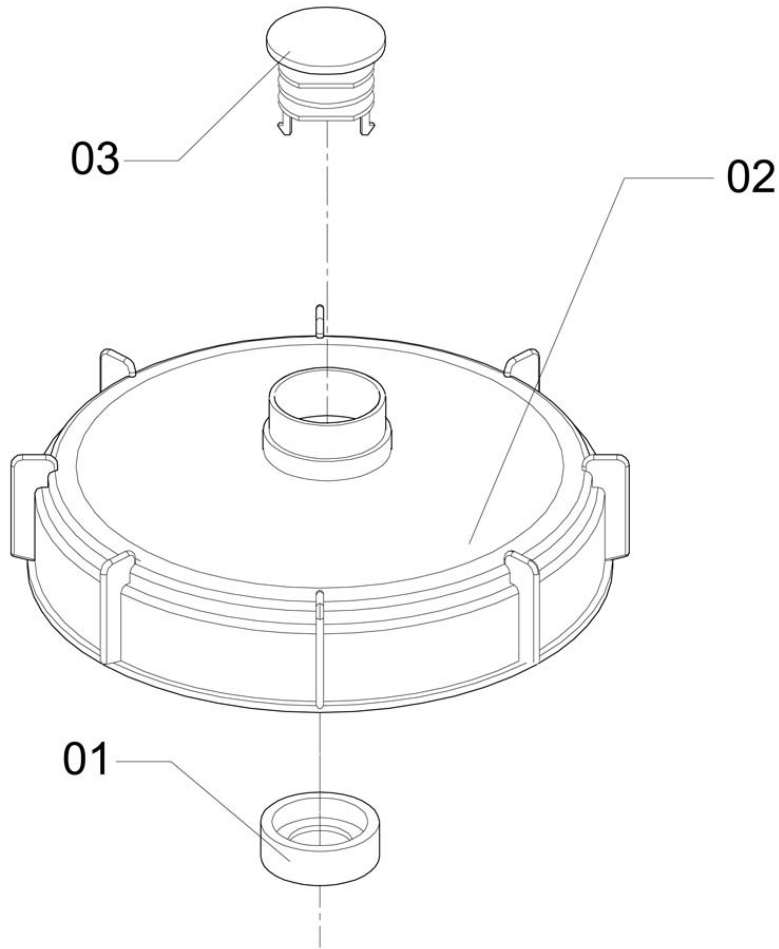


CV-516

Item	CODE	DESCRIPTION	Qty.
00	010587	Lever	1
01	128678	Lever body	1
02	002683	Handrip	1

Item	CODE	DESCRIPTION	Qty.

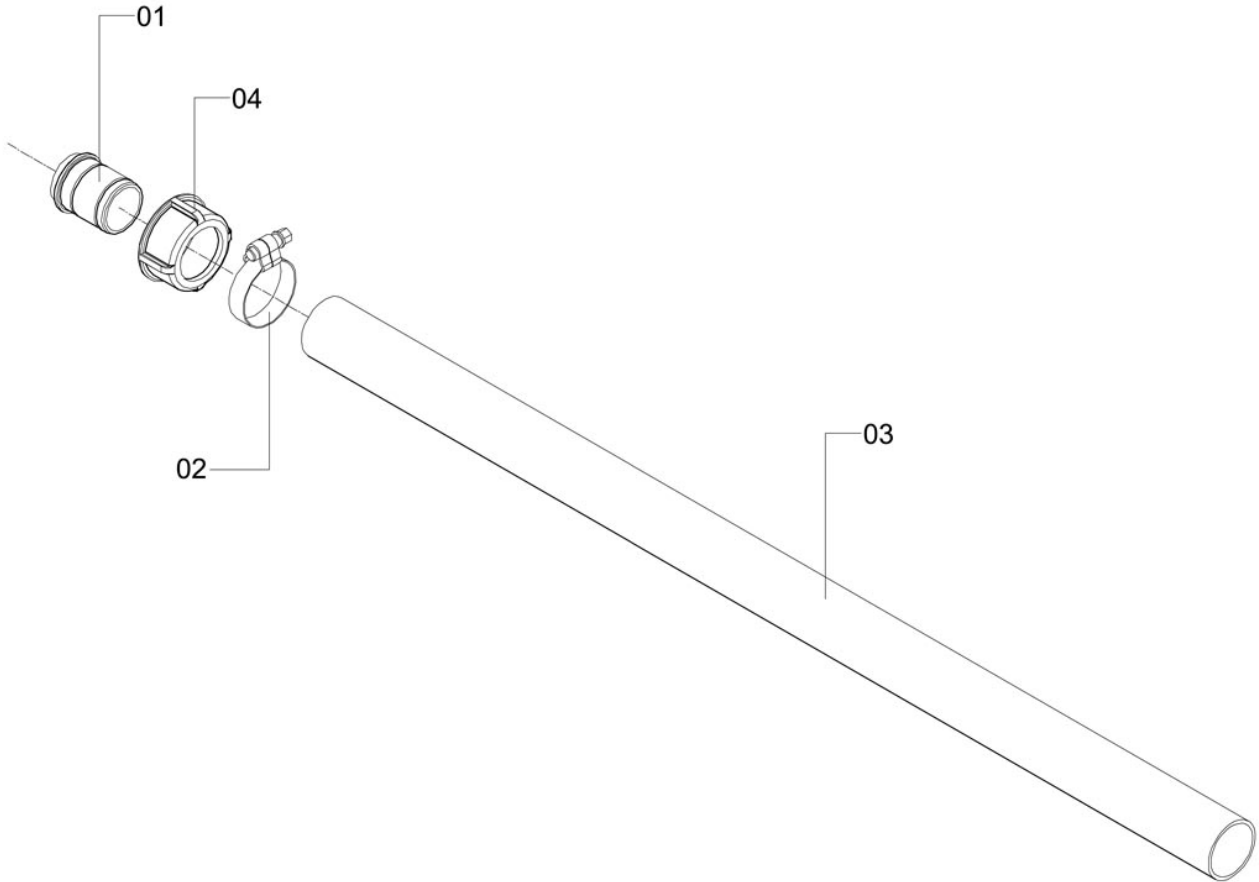
LID WITH BREATHER



D-101

Item	CODE	DESCRIPTION	Qty.	Item	CODE	DESCRIPTION	Qty.
00	037374	Lid with breather	1				
01	088419	Labyrinth lock	1				
02	233965	Spray tank lid	1				
03	088427	Labyrinth	1				

HOSE - PUMP / FILTER

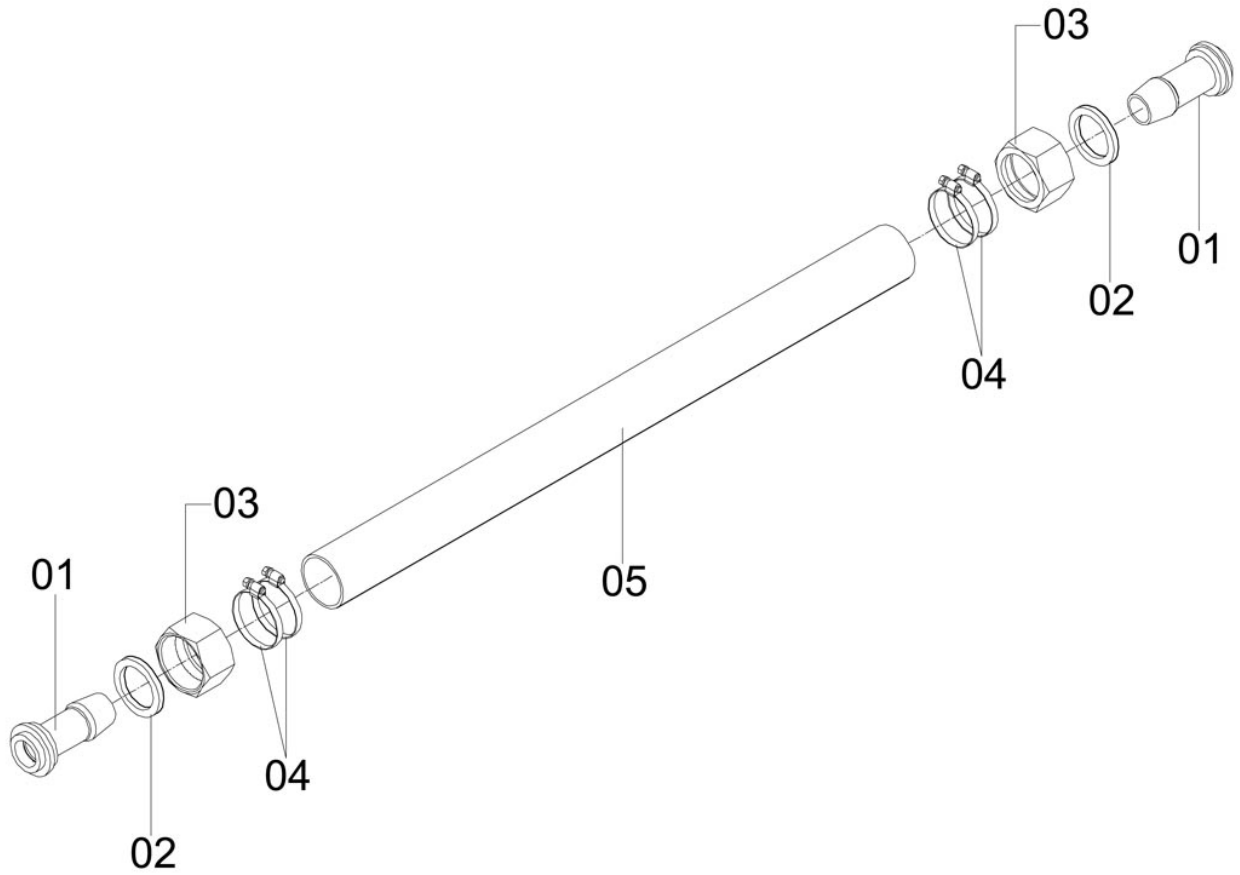


CD-780

Item	CODE	DESCRIPTION	Qty.
00	138156	Hose - Pump / Filter	1
01	208777	Hose fitting - 1" x 33	1
02	423814	Clamp D22-32 - stainless steel	1
03	221556	Hose - 1" x 620	1
04	005884	Round nut - 1.1/4" BSP	1

Item	CODE	DESCRIPTION	Qty.

HOSE - PUMP / CONTROL

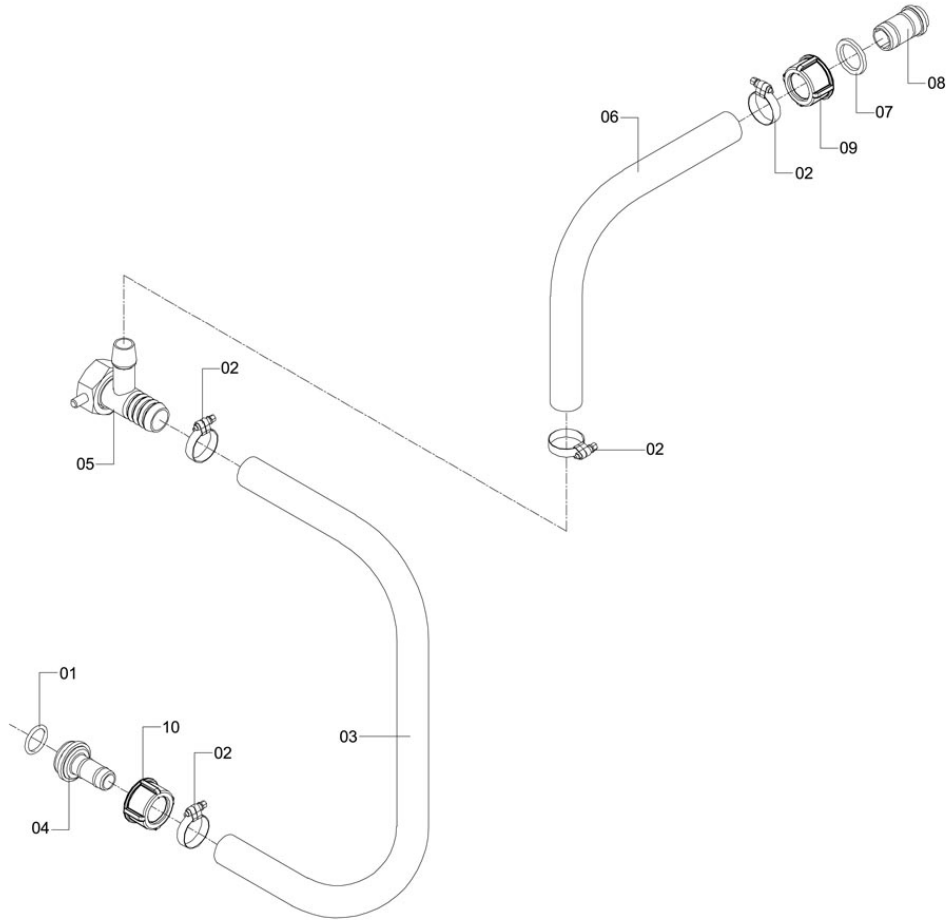


CD-779

Item	CODE	DESCRIPTION	Qty.	Item	CODE	DESCRIPTION	Qty.
00	057976	Hose - Pump / Control	1				
01	118539	Hose fitting - 3/4"	2				
02	402412	Sealing washer - 31 x 22.5 x 22.5/3.0	2				
03	405753	Hex nut - 1" - 11 BSP	2				
04	423814	Clamp D22-32 - stainless steel	4				
05	946426	Hose - 3/4" x 560	1				

Controlled copy – Distribution and reproduction prohibited

RETURN HOSE - 1 X 1350

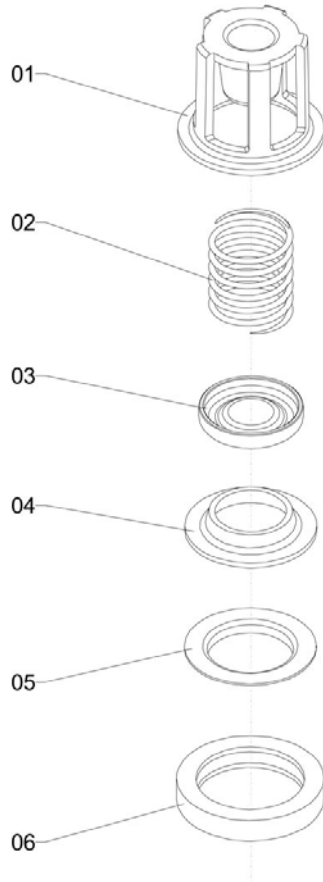


CD-778

Item	CODE	DESCRIPTION	Qty.	Item	CODE	DESCRIPTION	Qty.
00	138123	Return hose - 1 x 1350	1				
01	011593	Sealing ring - OR1-219	2				
02	423814	Clamp D22-32 - stainless steel	4				
03	628669	Hose - 1" x 1350mm	1				
04	091041	Hose fitting - 3/4" with flange ø 33	1				
05	135830	Hose fitting - 1" x 3/4" with nut	1				
06	149484	Hose - 3/4" x 380	1				
07	402412	Sealing washer - 31 x 22.5 x 22.5/3.0	1				
08	404434	Hose fitting	1				
09	511733	Round nut 1" BSP (40-45)	1				
10	005884	Round nut - 1.1/4" BSP	1				

Controlled copy – Distribution and reproduction prohibited

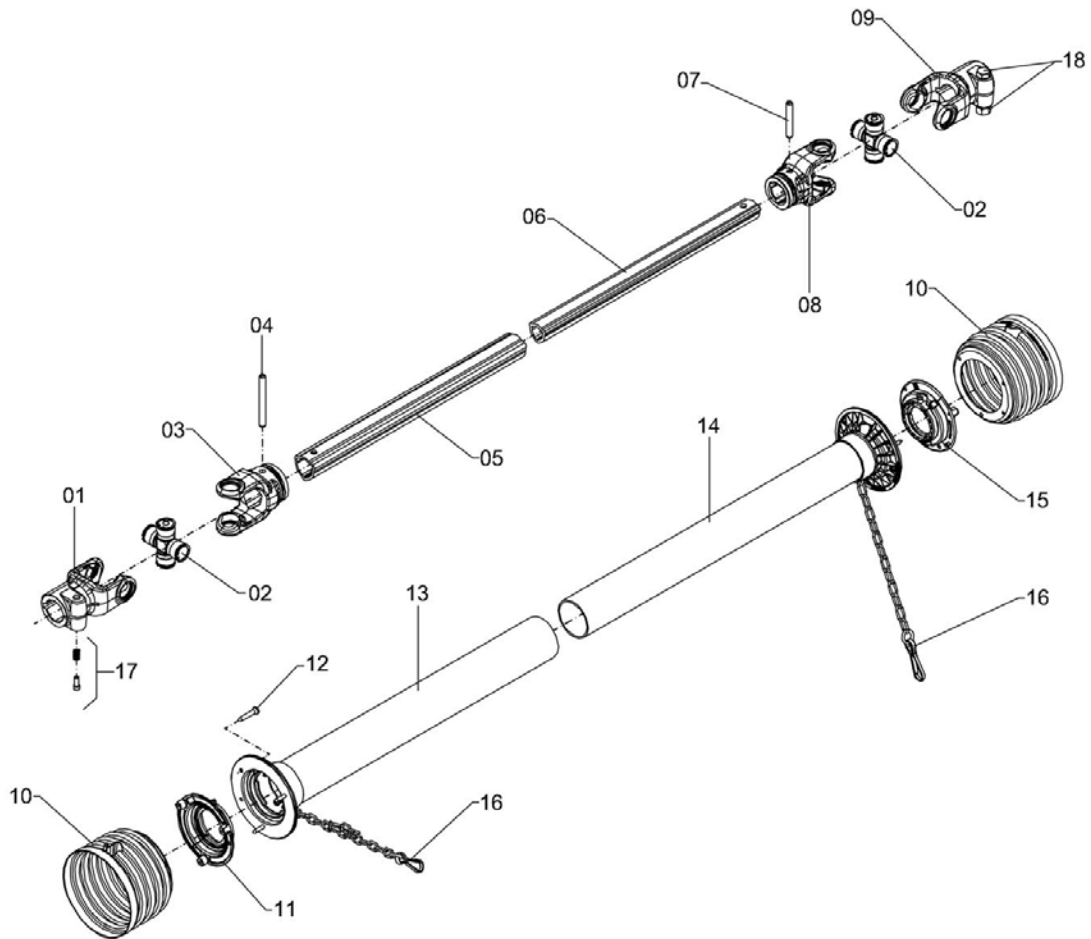
VALVE FOR PUMP - Ø 18



B-137

Item	CODE	DESCRIPTION	Qty.	Item	CODE	DESCRIPTION	Qty.
00	261404	Valve for pump - ø 18	1				
01	073809	Cage	1				
02	088070	Compression spring ø 19.7 z LO= 23.1	1				
03	088187	Disk - ø 21.9/22	1				
04	407296	Valve seat	1				
05	508317	Guide ring - pump valve	1				
06	508333	Valve sealing	1				

CONVENTIONAL DRIVE SHAFT - 710 102 Z=6 X Ø30

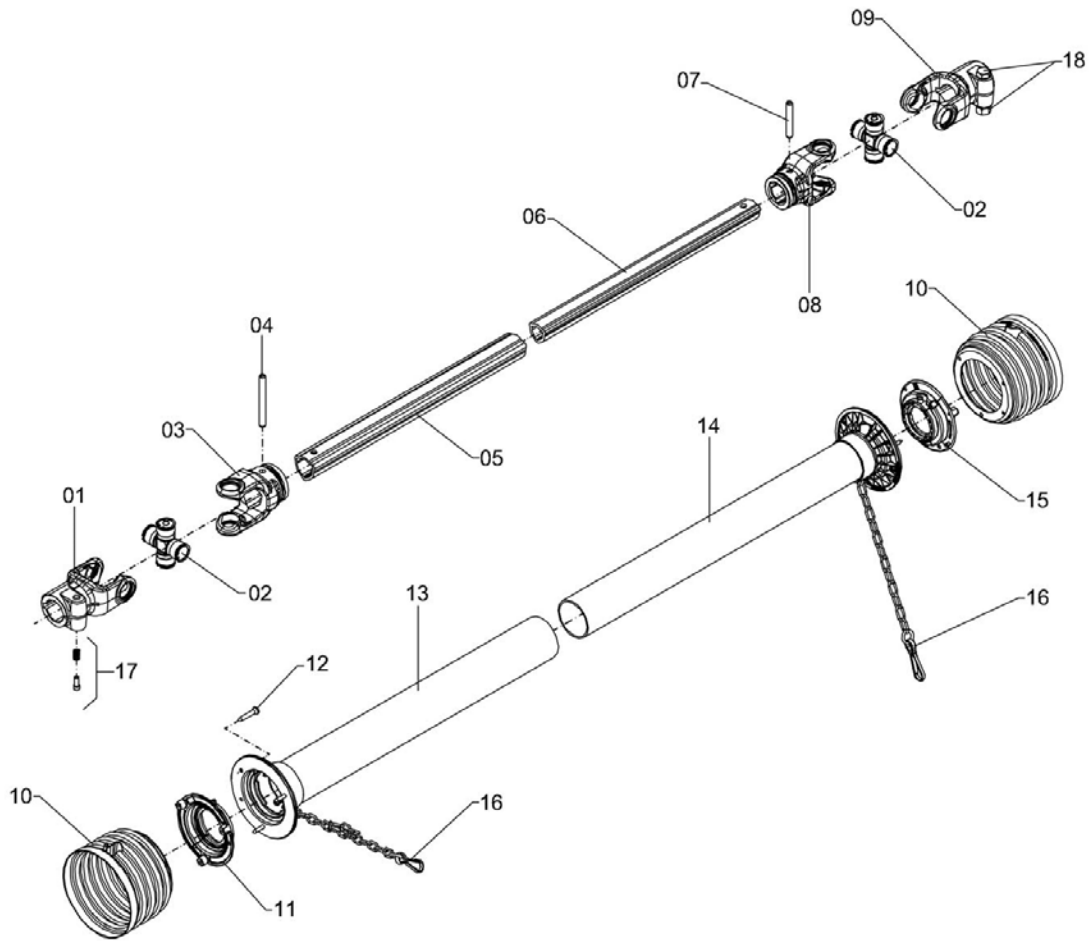


CN-36

Item	CODE	DESCRIPTION	Qty.	Item	CODE	DESCRIPTION	Qty.
00	1225460	Conventional drive shaft - 710 102 Z=6 X Ø30	1				
01	207589	Tractor yoke with lock (1.3/8"Z=6)	1				
02	1230406	Cross piece	2				
03	952761	Inner profile yoke - Tractor end	1				
04	207449	Heavy elastic pin - 8 x 55	1				
05	643650	Outer tube	1				
06	643668	Inner tube	1				
07	912626	Elastic pin	1				
08	1230322	Inner profile yoke - Implement end	1				
09	1241183	Implement yoke - 5090C6251	1				
10	1230335	Cross piece guard - PTO end	2				
11	1230405	Protector lock	1				
12	856229	Self-tapping pan head screw - PH. 4.8 X 22	6				
13	1230417	Outer tube cap	1				
14	1230415	Inner tube cap	1				
15	1230404	Protector lock	1				
16	1239139	Drive shaft chain	2				
17	210641	Lock with spring	1				
18	457192	Bolt and nut	1				

Controlled copy – Distribution and reproduction prohibited

CONVENTIONAL DRIVE SHAFT - 510 102 Z= 8 X Ø30

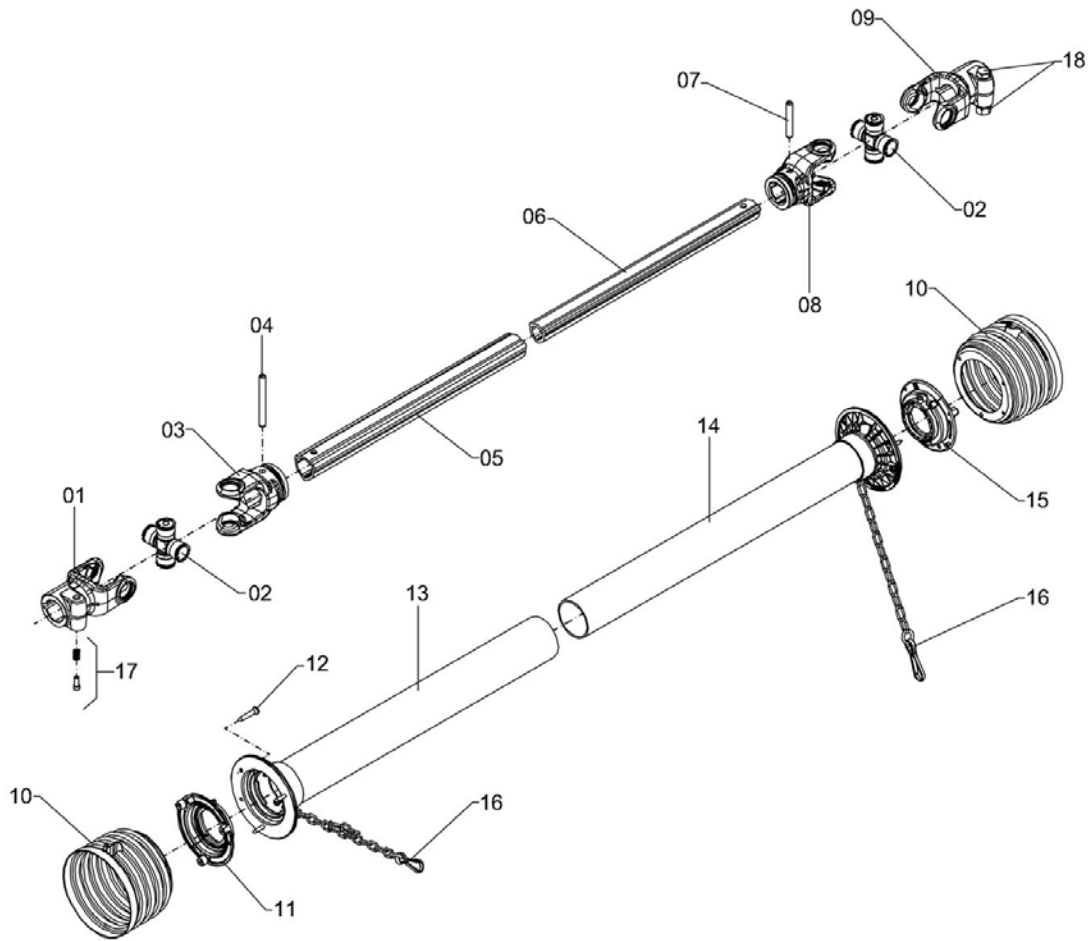


CN-36

Item	CODE	DESCRIPTION	Qty.	Item	CODE	DESCRIPTION	Qty.
00	1225459	Conventional drive shaft - 510 102 Z= 8 x Ø30	1				
01	1230409	Inner profile yoke - Implement end	1				
02	1230406	Cross piece	2				
03	952761	Inner profile yoke - Tractor end	1				
04	912626	Elastic pin	1				
05	643783	Outer tube - REF." BONDIOLI " NR. 225050	1				
06	643791	Inner tube - REF." BONDIOLI " NR. 225040	1				
07	207449	Heavy elastic pin - 8 x 55	1				
08	1230322	Inner profile yoke - Implement end	1				
09	1241183	Implement yoke - 5090C6251	1				
10	1230335	Cross piece guard - PTO end	2				
11	1230405	Protector lock	1				
12	856229	Self-tapping pan head screw - PH. 4.8 X 22	6				
13	1230417	Outer tube cap	1				
14	1230415	Inner tube cap	1				
15	1230404	Protector lock	1				
16	1239139	Drive shaft chain	2				
17	210641	Lock with spring	1				
18	457192	Bolt and nut	1				

Controlled copy – Distribution and reproduction prohibited

CONVENTIONAL DRIVE SHAFT - 510 102 Z =6 X Ø30

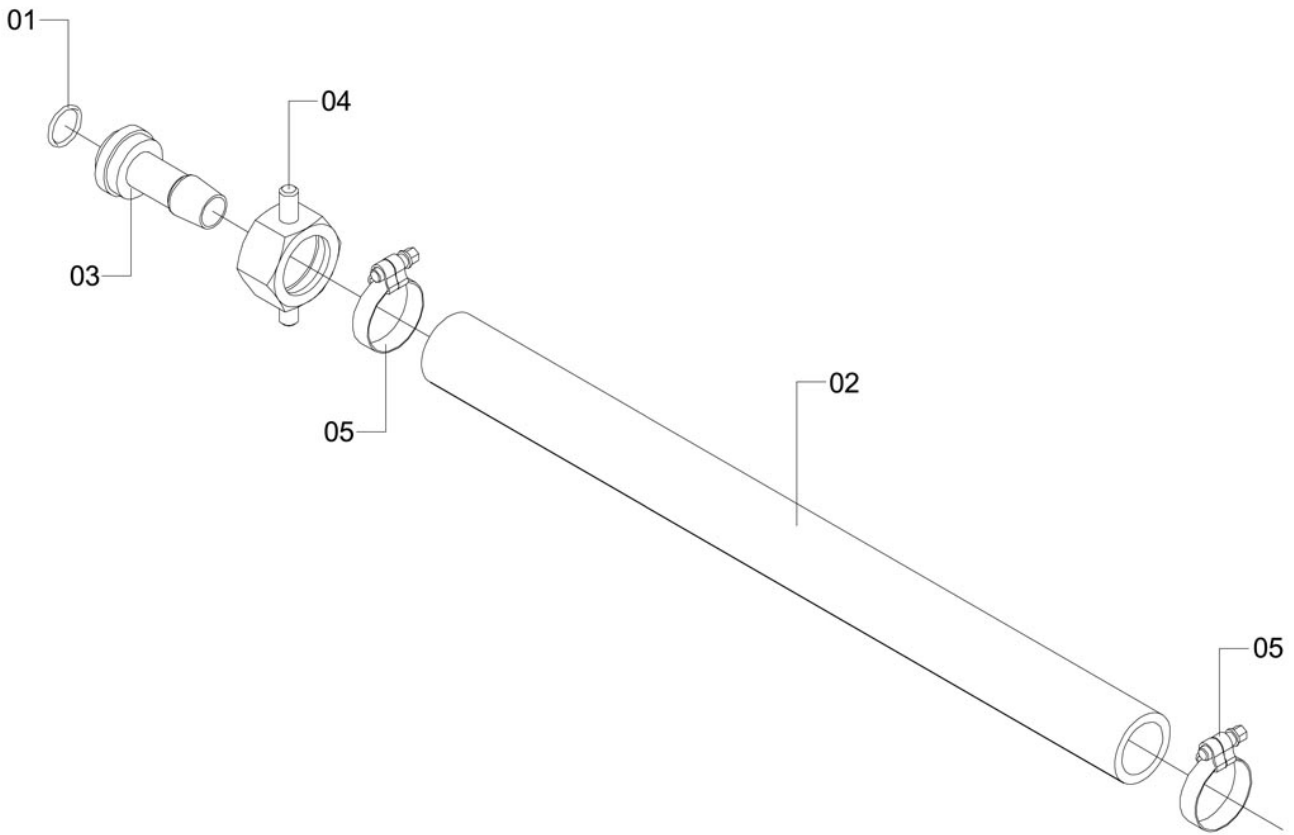


CN-36

Item	CODE	DESCRIPTION	Qty.	Item	CODE	DESCRIPTION	Qty.
00	1225458	Conventional drive shaft - 510 102 Z =6 x Ø30	1				
01	207589	Tractor yoke with lock (1.3/8"Z=6)	1				
02	1230406	Cross piece	2				
03	952761	Inner profile yoke - Tractor end	1				
04	207449	Heavy elastic pin - 8 x 55	1				
05	643783	Outer tube - REF." BONDIOLI " NR. 225050	1				
06	643791	Inner tube - REF." BONDIOLI " NR. 225040	1				
07	912626	Elastic pin	1				
08	1230322	Inner profile yoke - Implement end	1				
09	1241183	Implement yoke - 5090C6251	1				
10	1230335	Cross piece guard - PTO end	2				
11	1230405	Protector lock	1				
12	856229	Self-tapping pan head screw - PH. 4.8 X 22	6				
13	1230417	Outer tube cap	1				
14	1230415	Inner tube cap	1				
15	1230404	Protector lock	1				
16	1239139	Drive shaft chain	2				
17	210641	Lock with spring	1				
18	1239164	Fastening item	1				

Controlled copy – Distribution and reproduction prohibited

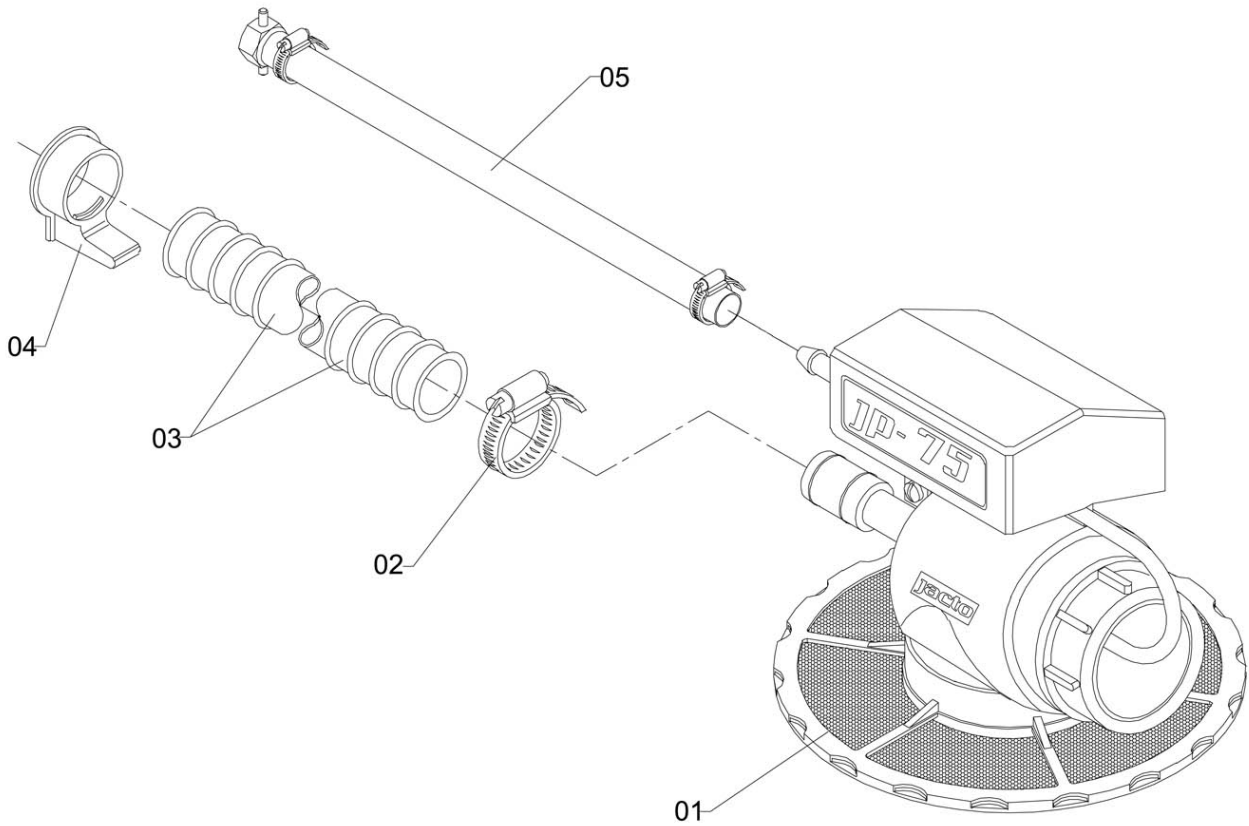
HOSE - Ø 1/2" WITH NOZZLE AND NUT 1.1/4"



A-37

Item	CODE	DESCRIPTION	Qty.	Item	CODE	DESCRIPTION	Qty.
00	058445	Hose - ø 1/2" with nozzle and nut 1.1/4"	1				
01	731521	Sealing ring - OR1-124	1				
02	131250	Hose - 12.7 (1/2") x 1000	1				
03	731539	Hose fitting 1/2"	1				
04	731497	Hex wing nut - 1.1/4" - 11 BSP	1				
05	107664	Clamp D14-22 - stainless steel	2				

EJECTOR FOR 75 L/MIN (10-METER HOSE)

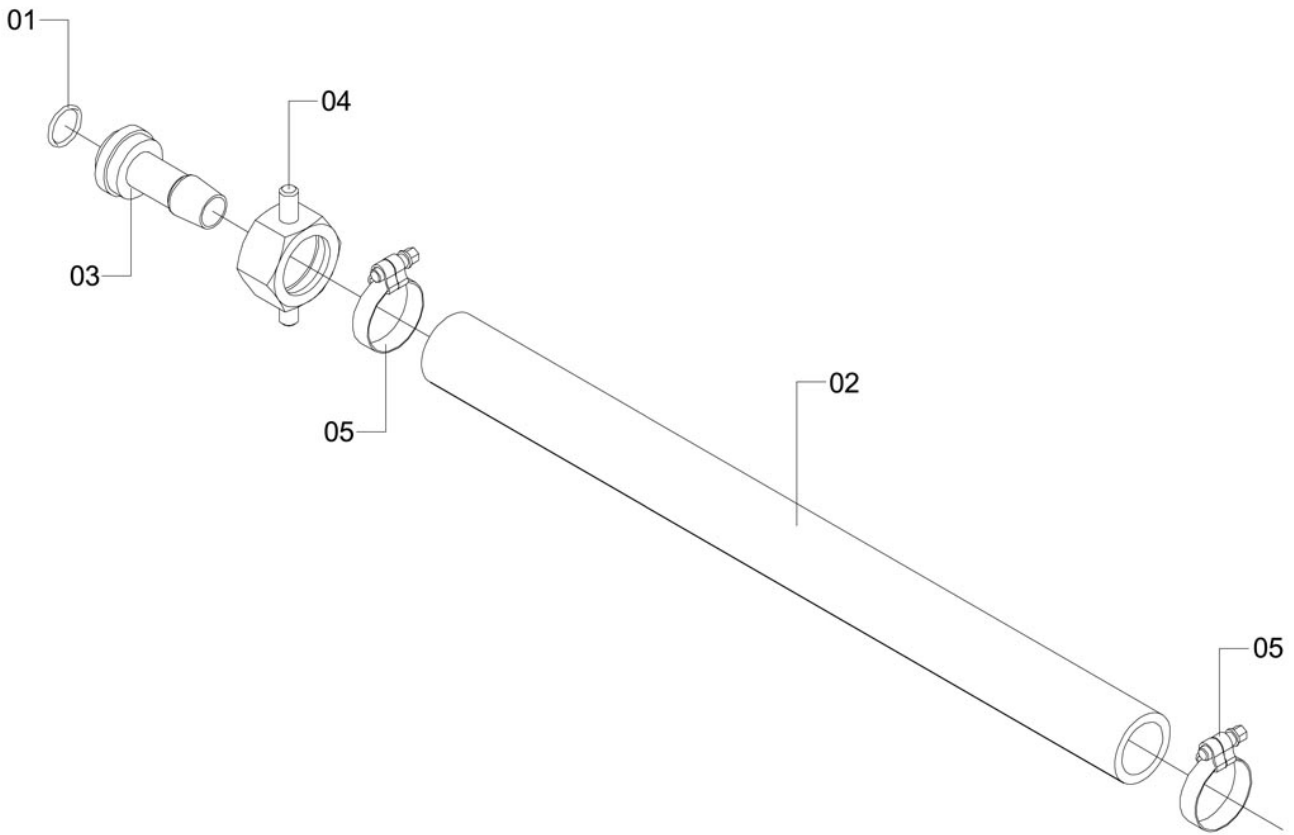


A-62

Item	CODE	DESCRIPTION	Qty.	Item	CODE	DESCRIPTION	Qty.
00	058452	Ejector for 75 L/min (10-meter hose)	1				
01	323766	Filler unit for 75 L/min (without hose)	1				
02	626580	Clamp D51-64	1				
03	450130	Hose - 2" x 10 (KE50)	1				
04	455006	Hose bracket	1				
05	058445	Hose - ø 1/2" with nozzle and nut 1.1/4"	1				

Controlled copy – Distribution and reproduction prohibited

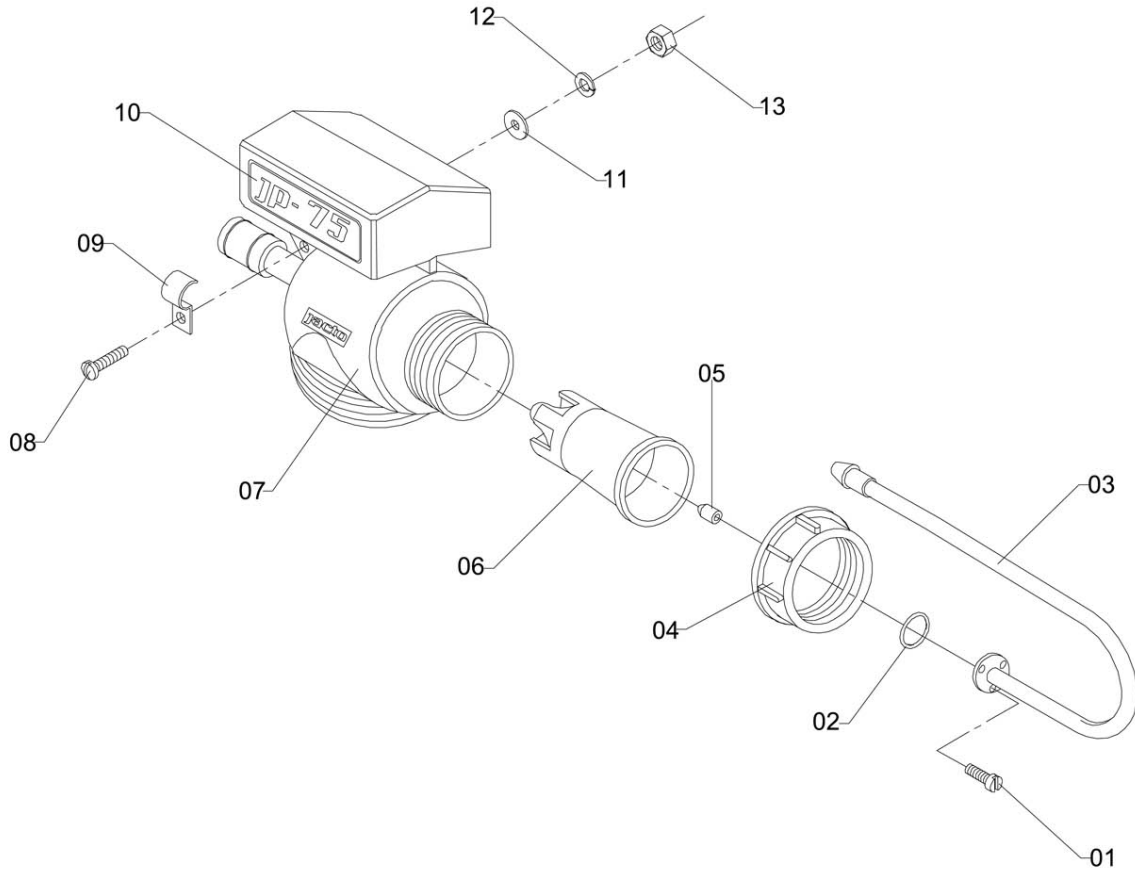
HOSE Ø 1/2" WITH FITTING AND WING NUT 1.1/4"



A-37

Item	CODE	DESCRIPTION	Qty.	Item	CODE	DESCRIPTION	Qty.
00	133751	Hose ø 1/2" with fitting and wing nut 1.1/4"	1				
01	731521	Sealing ring - OR1-124	1				
02	723718	Hose - 1/2" x 5000	1				
03	731539	Hose fitting 1/2"	1				
04	731497	Hex wing nut - 1.1/4" - 11 BSP	1				
05	107664	Clamp D14-22 - stainless steel	2				

FILLER UNIT BODY

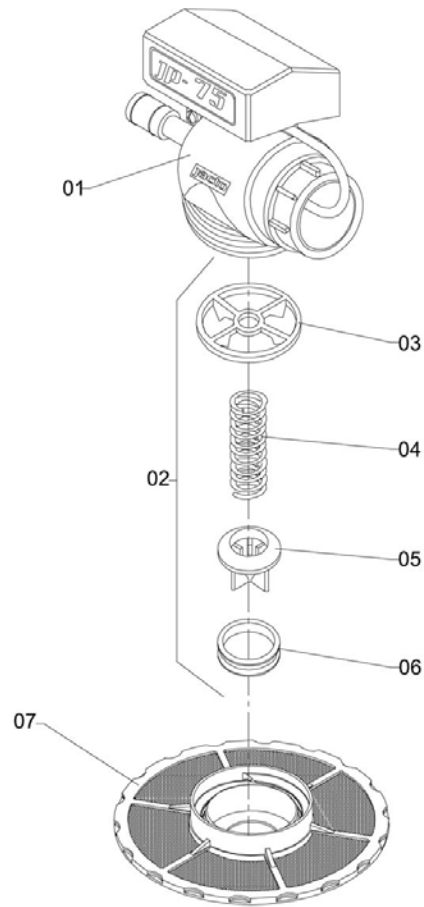


A-58

Item	CODE	DESCRIPTION	Qty.	Item	CODE	DESCRIPTION	Qty.
00	323774	Filler unit body	1				
01	913392	Self-tapping pan head bolt - PH ø 3.5 x 12	3				
02	417709	O-ring OR1 -012	1				
03	107185	Injection nozzle	1				
04	809848	Locknut -	1				
05	322537	Dosing bushing	1				
06	107151	Injector venturi	1				
07	327155	Ejector body	1				
08	912642	Bolt - 1/4" UNC x 5/8"	1				
09	107201	Clamping piece - 13	1				
10	052233	Sticker - JP-75	1				
11	358267	Flat washer 64 x 125 x 16	1				
12	910117	Locking washer - 1/4"	1				
13	912741	Hex nut - 1/4"- 20 UNC	1				

Controlled copy – Distribution and reproduction prohibited

FILLER UNIT FOR 75 L/MIN (WITHOUT HOSE)

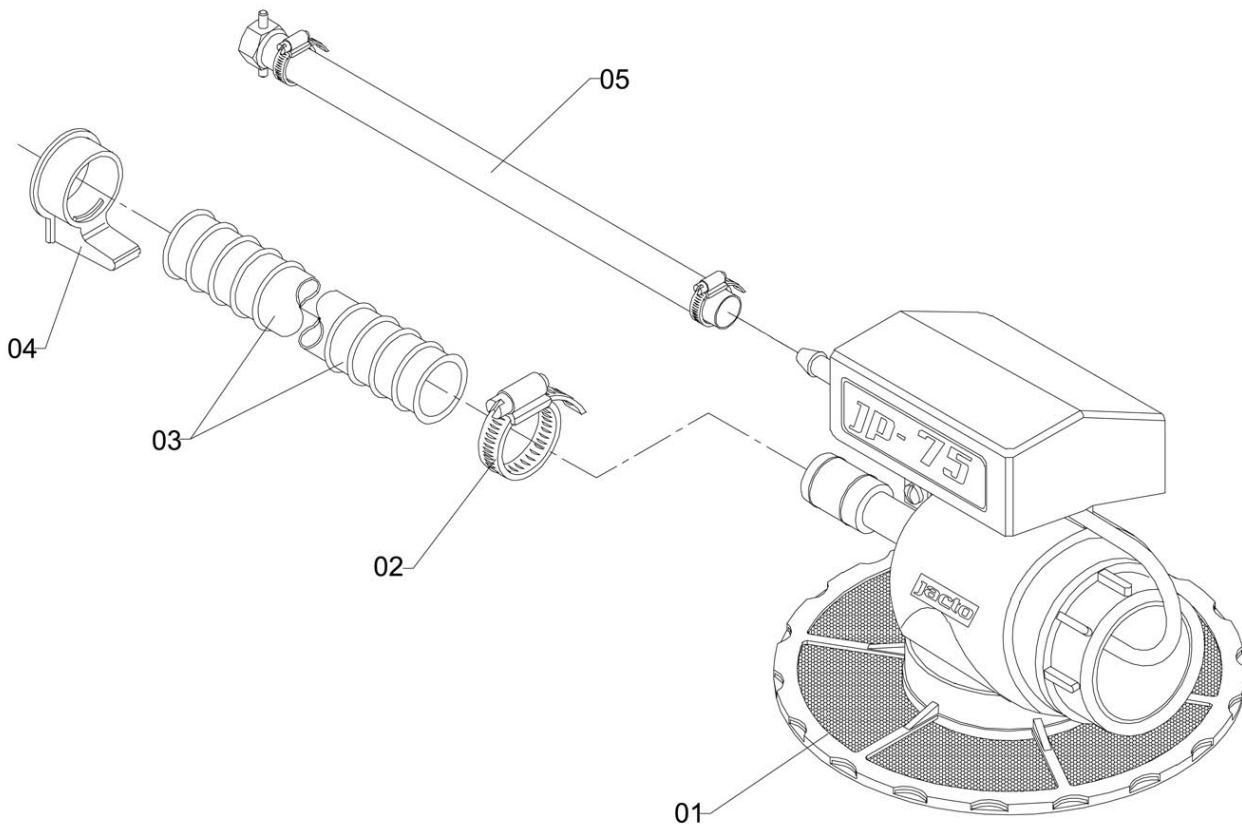


A-59

Item	CODE	DESCRIPTION	Qty.	Item	CODE	DESCRIPTION	Qty.
00	323766	Filler unit for 75 L/min (without hose)	1				
01	323774	Filler unit body	1				
02	114967	Filler unit repair kit	1				
03	612721	Spring seat	1				
04	612861	Spring	1				
05	612739	Ejector valve	1				
06	612705	Valve gasket	1				
07	111542	Filtering element with hub and screw	1				

Controlled copy – Distribution and reproduction prohibited

EJECTOR FOR 75 L/MIN (5-METER HOSE)



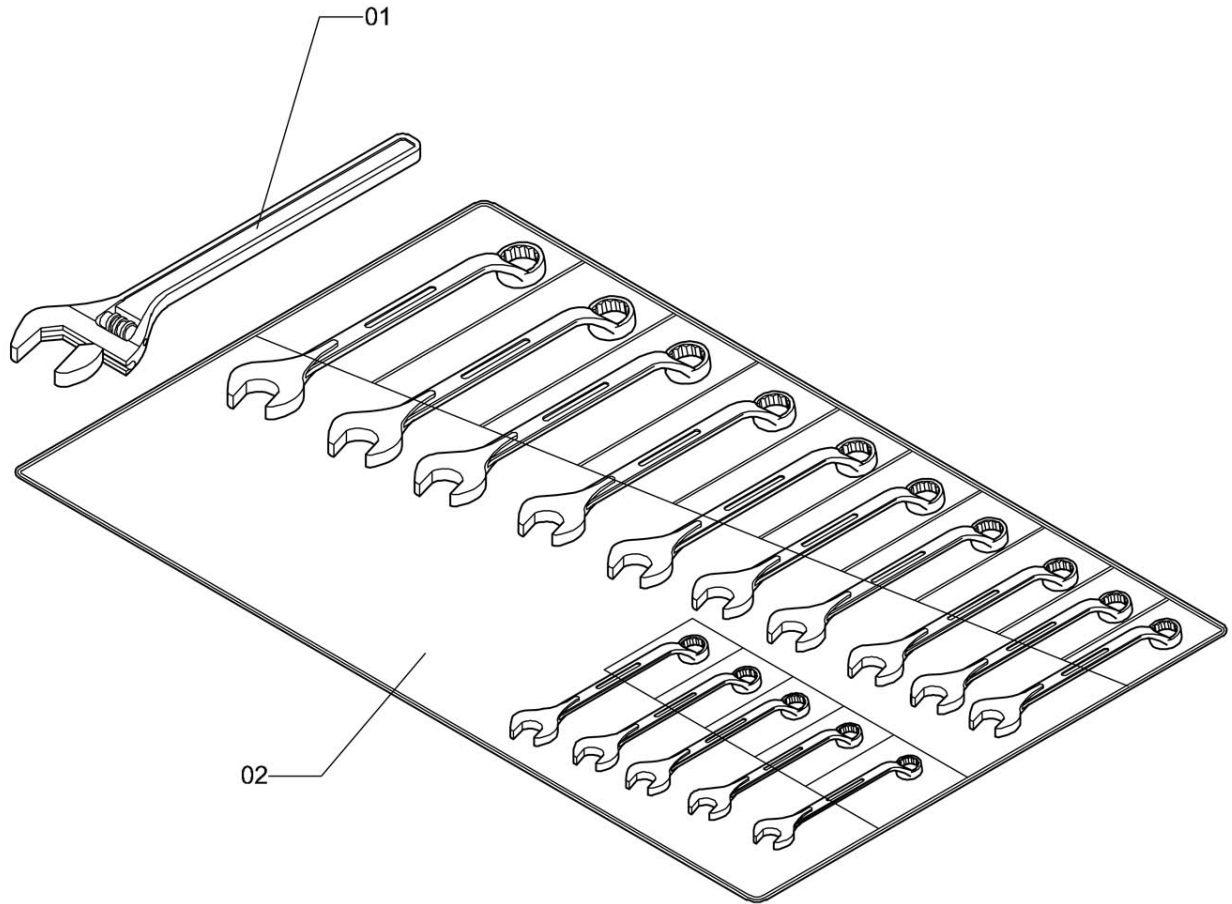
A-62

Item	CODE	DESCRIPTION	Qty.
00	819896	Ejector for 75 L/min (5-meter hose)	1
01	323766	Filler unit for 75 L/min (without hose)	1
02	626580	Clamp D51-64	1
03	107243	Hose - 2" x 5000	1
04	455006	Hose bracket	1
05	133751	Hose \varnothing 1/2" with fitting and wing nut 1.1/4"	1

Item	CODE	DESCRIPTION	Qty.

Controlled copy – Distribution and reproduction prohibited

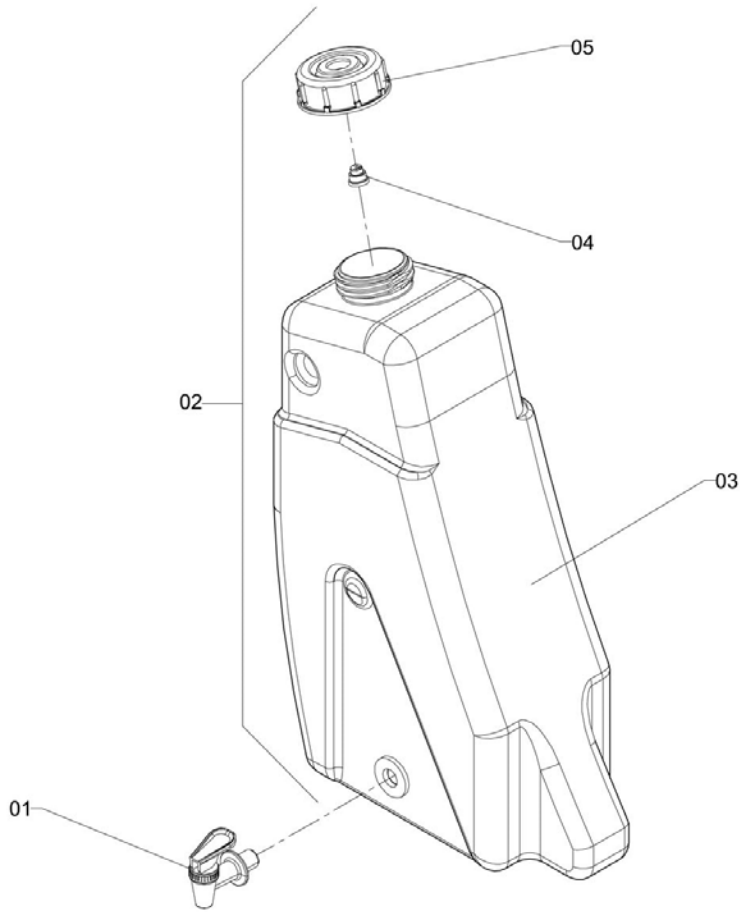
ASSEMBLY - COMBINATION WRENCH + SCREW WRENCH (FOR EXPORT)



CXA-140

Item	CODE	DESCRIPTION	Qty.	Item	CODE	DESCRIPTION	Qty.
00	489211	Assembly - combination wrench + screw wrench (for export)	1				
01	489260	Screw wrench 18" (for export)	1				
02	489229	Combination wrench set - "ROBUST" (for export)	1				

15 - LITER TANK

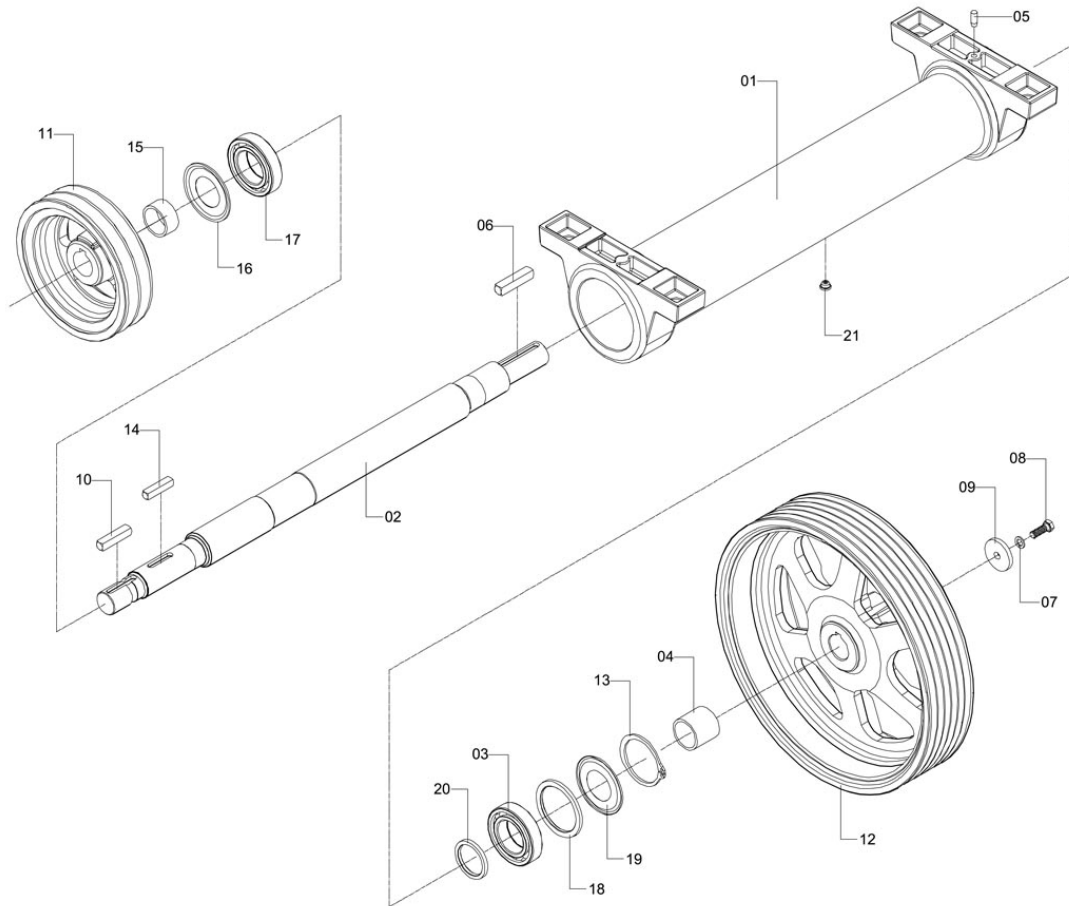


D-176

Item	CODE	DESCRIPTION	Qty.	Item	CODE	DESCRIPTION	Qty.
00	133215	15 - liter tank	1				
01	044180	Plastic tap - 23 x 3/8" BSP	1				
02	134064	15 - liter tank	1				
03	097774	15 - liter tank	1				
04	247270	Breather	1				
05	247262	Cover	1				

Controlled copy – Distribution and reproduction prohibited

MOTOR TRANSMISSION

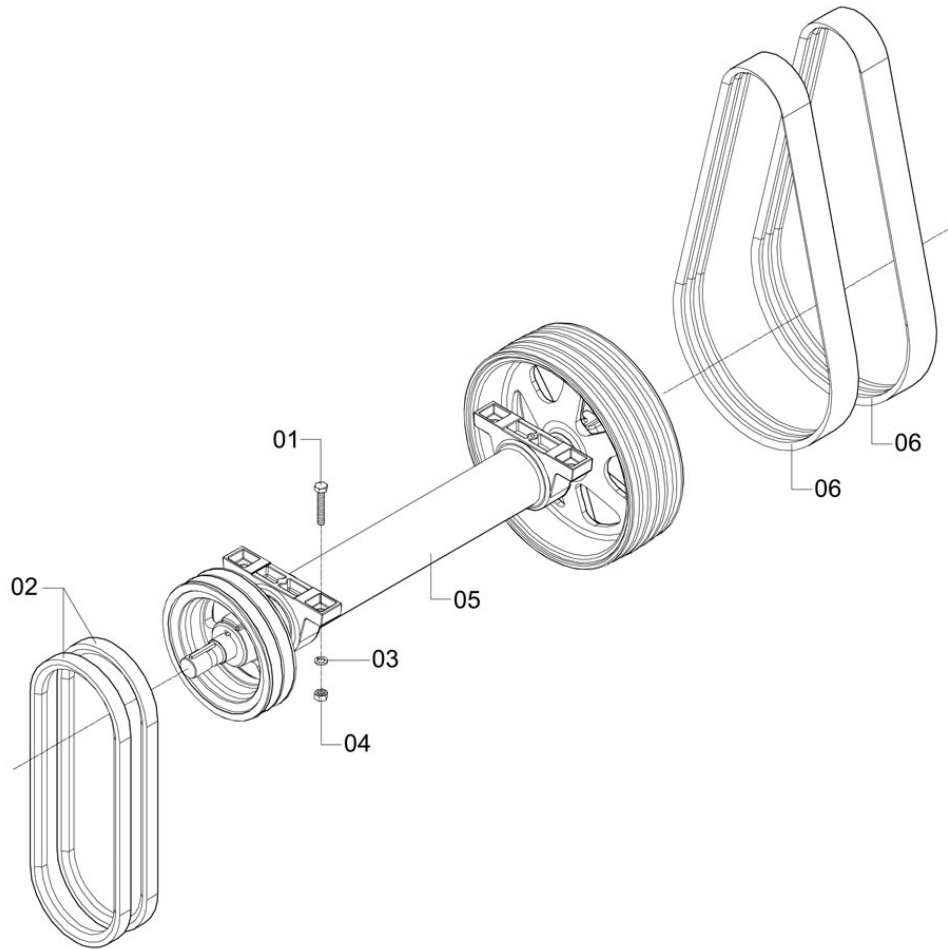


TMT-225

Item	CODE	DESCRIPTION	Qty.	Item	CODE	DESCRIPTION	Qty.
00	138107	Motor transmission	1				
01	620708	Transmission bearing housing	1				
02	717116	Axle body	1				
03	203737	Deep groove ball bearing	1				
04	622621	Spacer bushing	1				
05	428292	Guide pin - 6 x 16	1				
06	531673	Square key 5/16" x 58	1				
07	519736	Locking washer - Ø8	1				
08	663153	Bolt - 5/16" - 18 UNC x 3/4"	1				
09	507665	Flat washer - 82 x 506 x 30	1				
10	324624	Square key - 7.94 (5/16") x 40	1				
11	630772	Pulley - ø 175 - 2D	1				
12	624452	Pulley - ø 332 - 6A	1				
13	324145	Elastic ring - 502080	1				
14	015305	Square key 5/16" x 30	1				
15	622639	Spacer ring - 35.5 x 16	1				
16	622654	Sealing ring	1				
17	328062	Bearing no. 6207 SKF	1				
18	622647	Spacer - 4	1				
19	622662	Sealing ring	1				
20	714204	Thrust ring - ø50 x 5 x 5	1				
21	430652	Bearing breather	1				

Controlled copy – Distribution and reproduction prohibited

MOTOR TRANSMISSION AND COMPLEMENTS

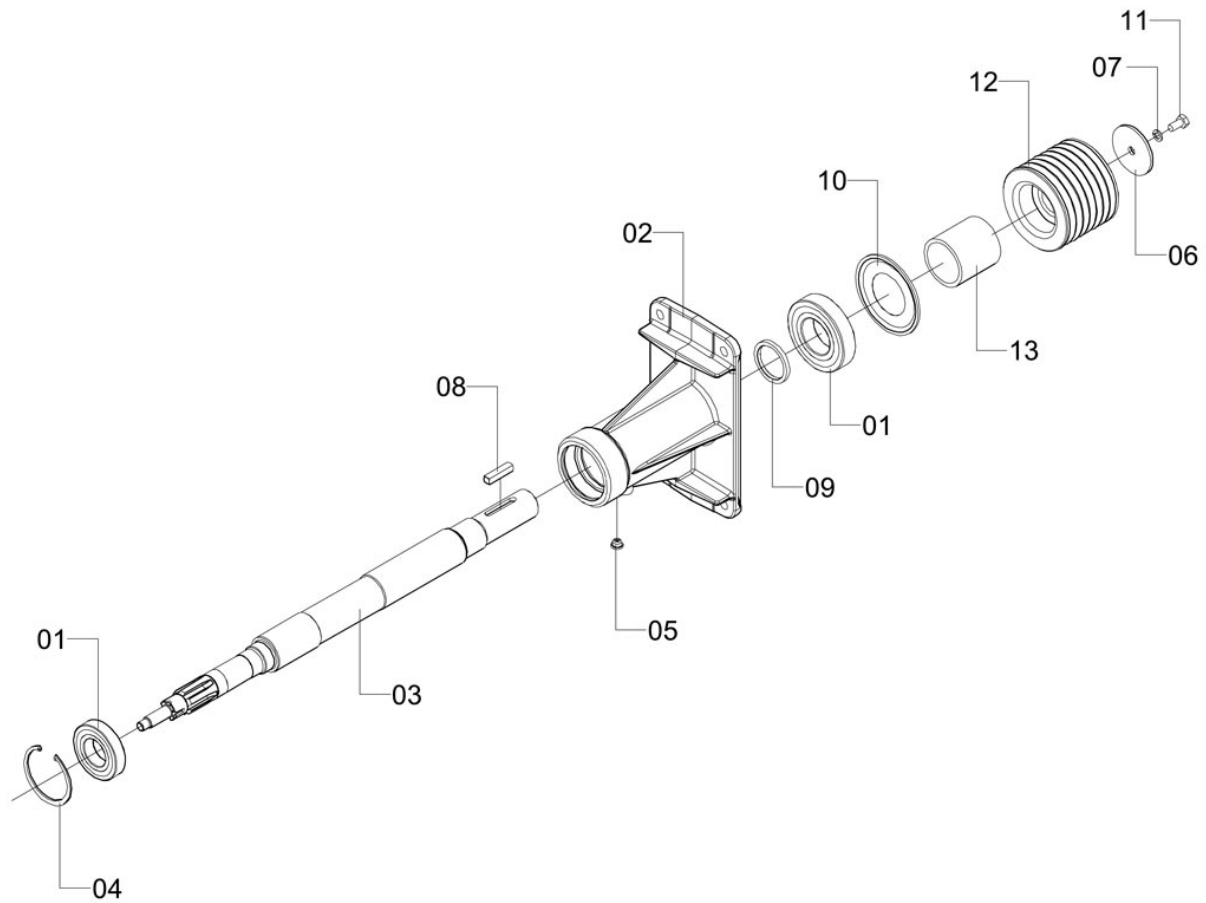


TMT-226

Item	CODE	DESCRIPTION	Qty.	Item	CODE	DESCRIPTION	Qty.
00	428276	Motor transmission and complements	1				
01	747923	Bolt - 1/2" - 13 UNC x 1.3/4" - 5 degree	4				
02	630871	V-belt - B-39	2				
03	908582	Locking washer - 1/2"	4				
04	912790	Hex nut - 1/2" - 13 UNC	4				
05	138107	Motor transmission	1				
06	1147619	V-belt - 3/A 69.0 1760	2				

Controlled copy – Distribution and reproduction prohibited

FAN BEARING HOUSING WITH PULLEY Ø 94

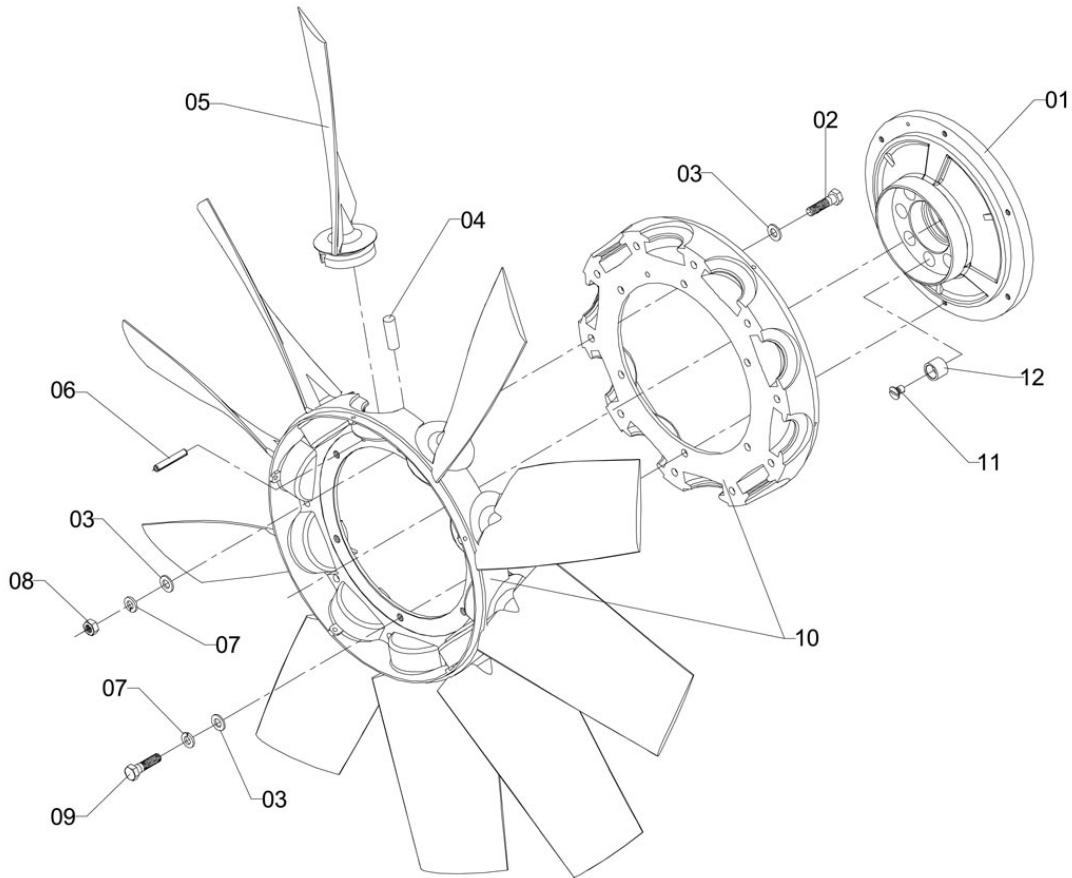


TMV-59

Item	CODE	DESCRIPTION	Qty.	Item	CODE	DESCRIPTION	Qty.
00	138115	Fan bearing housing with pulley ø 94	1				
01	203737	Deep groove ball bearing	2				
02	018762	Bearing housing	1				
03	018739	Shaft body - 537.5	1				
04	324145	Elastic ring - 502080	1				
05	430652	Bearing breather	1				
06	420281	Flat washer - Ø8.2 X Ø35 X 3 - steel	1				
07	519736	Locking washer - Ø8	1				
08	430124	Key	1				
09	714204	Thrust ring - ø50 x 5 x 5	1				
10	622662	Sealing ring	1				
11	663153	Bolt - 5/16" - 18 UNC x 3/4"	1				
12	327882	Pulley - ø 94 - 6A	1				
13	622670	Spacer bushing	1				

Controlled copy – Distribution and reproduction prohibited

FAN WITH PLASTIC BLADES

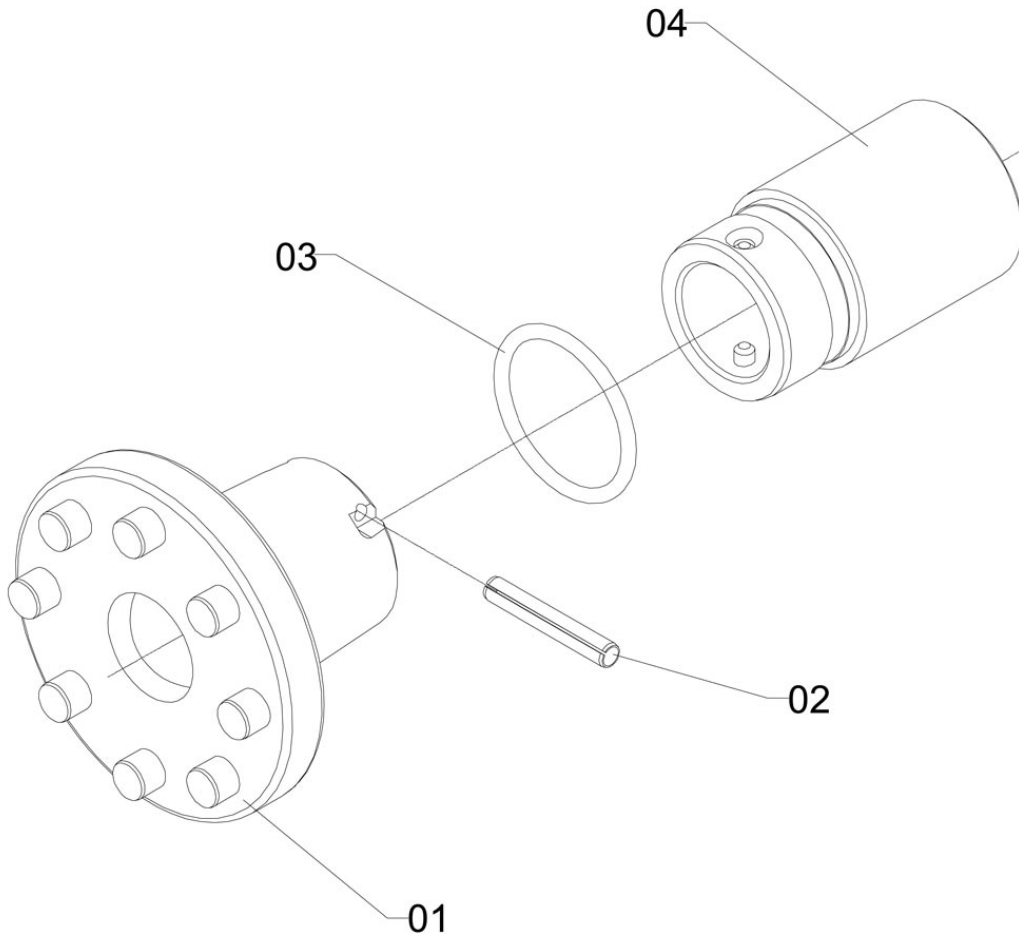


TMV-53

Item	CODE	DESCRIPTION	Qty.	Item	CODE	DESCRIPTION	Qty.
00	038786	Fan with plastic blades	1				
01	018481	Flange hub	1				
02	721704	Bolt - 5/16" UNC 1.1/4" - 5 degree	10				
03	013433	Flat washer - Ø8.4 x Ø16 x 1.6 steel	26				
04	298182	Pin - ø8.40 x 14	10				
05	130856	Fan blade - 725	10				
06	105288	Heavy elastic pin - 4 x 20	1				
07	519736	Locking washer - Ø8	16				
08	912758	Hex nut - 5/16"- 18 UNC	10				
09	826693	Bolt - 5/16" x 1.1/2" - 5 degree	6				
10	018663	Blade fastening flange (outer)	2				
11	939140	Slotted screw - M6 x 16	8				
12	937607	Bushing - 17.6 x 16	8				

Controlled copy – Distribution and reproduction prohibited

SPLINED HUB WITH HITCH

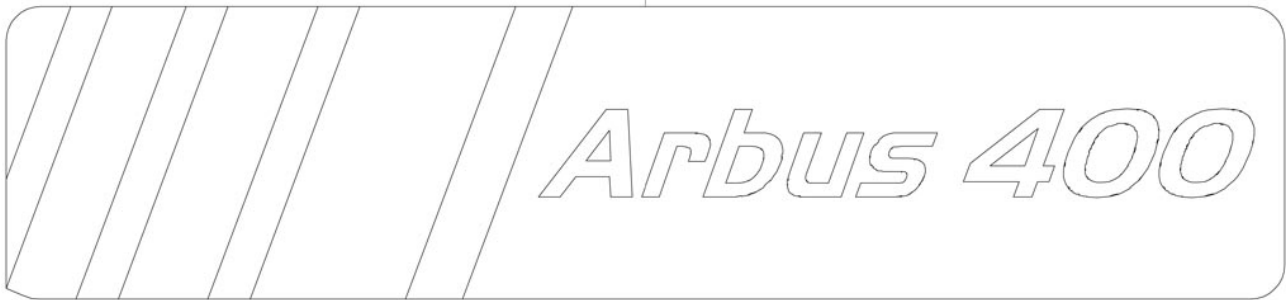


TMV-52

Item	CODE	DESCRIPTION	Qty.	Item	CODE	DESCRIPTION	Qty.
00	177055	Splined hub with hitch	1				
01	018713	Splined hub with 6 splines with pins	1				
02	427567	Elastic pin - ø 5 x 32	1				
03	011643	Sealing ring - OR1-129	1				
04	201103	Coupling hub	1				

STICKER - ARBUS 400 - RIGHT

01

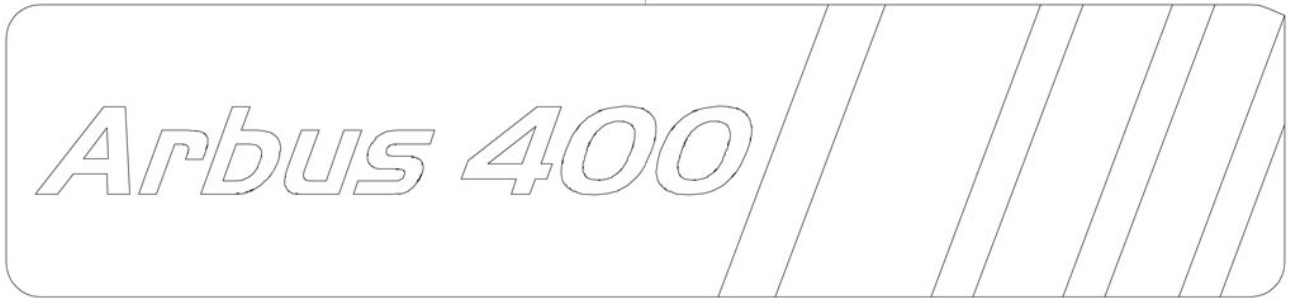


ADS-112

Item	CODE	DESCRIPTION	Qty.	Item	CODE	DESCRIPTION	Qty.
00	1179596	Sticker - Arbus 400 - right	1				
01	1179596	Sticker - Arbus 400 - right	1				

STICKER - ARBUS 400 - LEFT

01



ADS-113

Item	CODE	DESCRIPTION	Qty.	Item	CODE	DESCRIPTION	Qty.
00	1179598	Sticker - Arbus 400 - left	1				
01	1179598	Sticker - Arbus 400 - left	1				