

AJ

English version

EDITION - 06/2007

CODE - 979120

Parts catalog



MÁQUINAS AGRÍCOLAS JACTO S.A.

Rua Dr. Luiz Miranda, 1650

17580-000 - Pompéia - SP - Brasil

Tel.: +55 14 3405-2100 - Fax: +55 14 3452 1306

E-mail: export@jacto.com.br

Home page: <http://www.jacto.com.br>

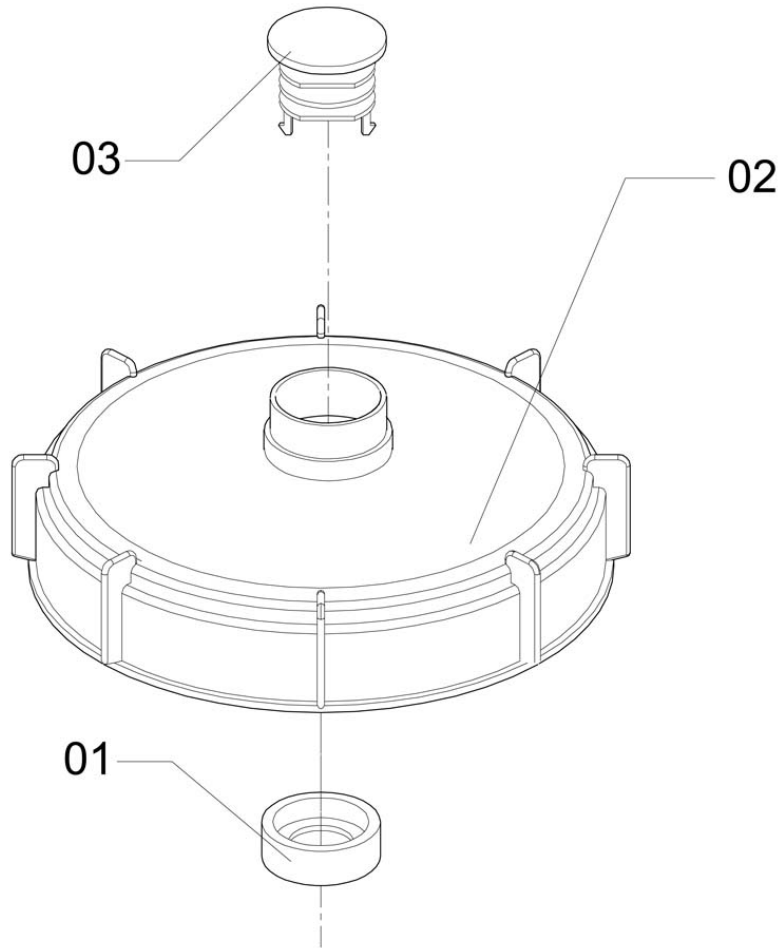
AJ

| EQUIPMENT | PAGE |
|------------------------|------|
| AJ-401 (LHD/PLUS)..... | 4 |

**AJ-401 (LHD/PLUS)
(CODE: 855759)**

| ENTIRE ASSEMBLIES | PAGE |
|---|------|
| 15-LITER TANK- LEFT | 26 |
| 15-LITER TANK ASSEMBLY WITH SUPPORT | 27 |
| 3-WAY REGULATING VALVE | 19 |
| ACCESSORIES BOX FOR "AJ-401 LH" | 12 |
| ASSEMBLY (HOSES - TURBINE FEEDING) | 24 |
| BEARING BLOCK NO. 14 | 21 |
| BEARING BLOCK NO. 4 | 20 |
| CENTRIFUGAL PUMP 1140 | 8 |
| CHASSI AND COMPLEMENTS | 9 |
| CHEMICAL CIRCUIT | 6 |
| CHEMICAL CONTAINER RINSE NOZZLE ROD | 36 |
| CHEMICAL CONTAINERS RINSE NOZZLE NO. 6 | 22 |
| DIRECTIONAL VALVE | 17 |
| DRIVE TRANSMISSION AND COMPLEMENTS | 23 |
| DRIVEN TRANSMISSION AND COMPLEMENTS | 15 |
| DUCT LH - UPPER | 33 |
| FAN HOUSING WITH FAN | 29 |
| FLOW RATE REGULATING VALVE (100 L) | 18 |
| HITCH PIN FOR TRACTOR CLASS 2 | 28 |
| IN-LINE FILTER "II" - 80 MESH - NOZZLE 1/2" | 16 |
| INTERMEDIATE TRANSMISSION AND COMPLEMENTS | 32 |
| JACTO ATOMIZER " I " | 14 |
| JACTO ATOMIZER ASSEMBLY 78-2 | 13 |
| LAYOUT STICKERS FOR AJ-401 LH | 25 |
| LEVEL INDICATOR NR.14 | 34 |
| LID WITH BREATHER | 5 |
| PTO SHAFT 400 | 10 |
| PTO SHAFT 510 (Z=6 X 0 30) | 11 |
| RINSE NOZZLE | 35 |
| STICKER: "JACTO" - CANNON SPRAYER E | 31 |
| STICKER: "JACTO" CANNON SPRAYER D | 30 |
| | |

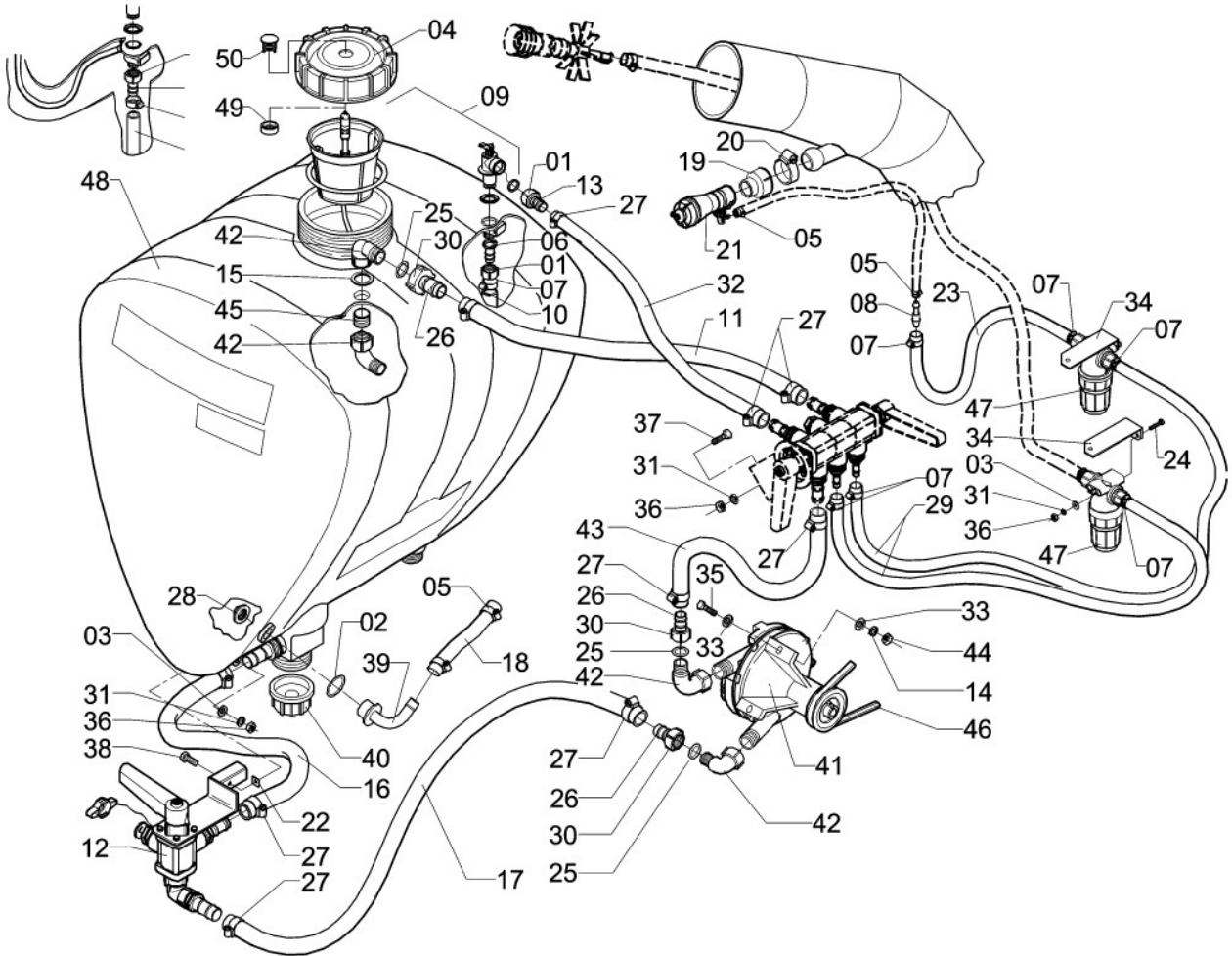
LID WITH BREATHER



D-101

| Item | CODE | DESCRIPTION | Qty. | Item | CODE | DESCRIPTION | Qty. |
|------|--------|-------------------|------|------|------|-------------|------|
| 00 | 037374 | Lid with breather | 1 | | | | |
| 01 | 088419 | Labyrinth lock | 1 | | | | |
| 02 | 233965 | Spray tank lid | 1 | | | | |
| 03 | 088427 | Labyrinth | 1 | | | | |

CHEMICAL CIRCUIT



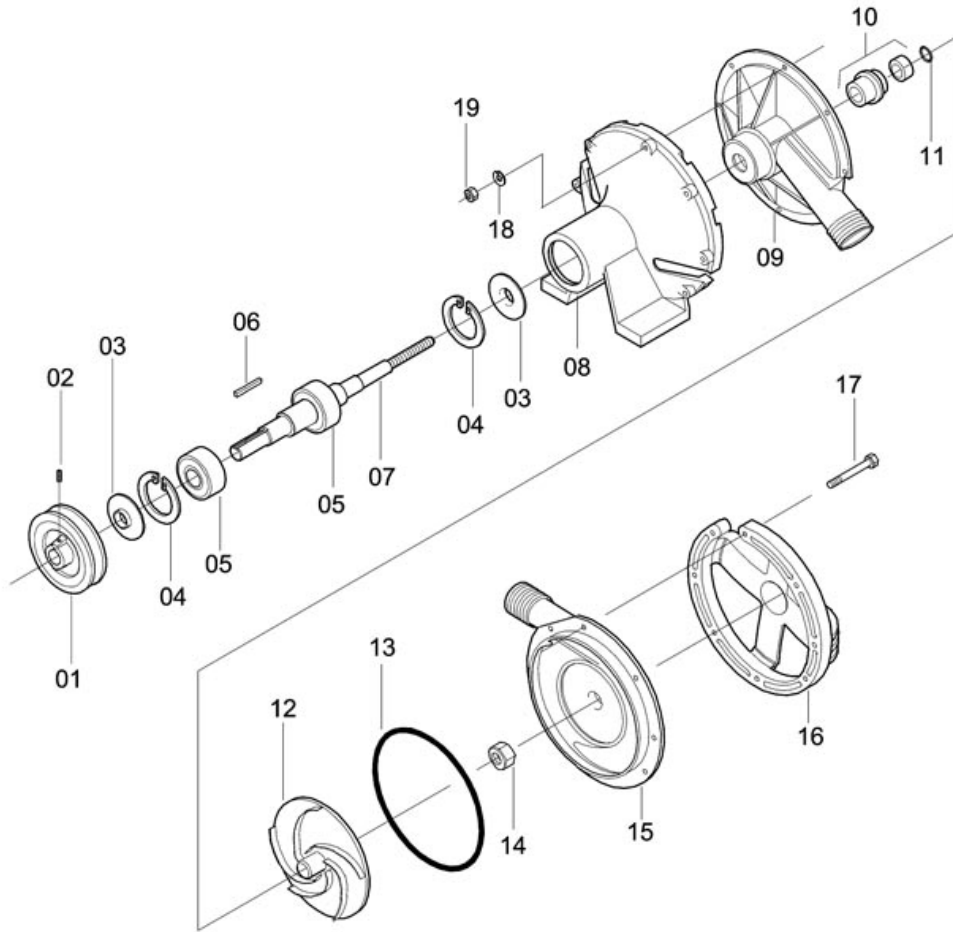
CD-344

CHEMICAL CIRCUIT

Continuation

| Item | CODE | DESCRIPTION | Qty. | Item | CODE | DESCRIPTION | Qty. |
|------|--------|--|------|------|------|-------------|------|
| 00 | 717710 | Chemical circuit | 1 | | | | |
| 01 | 005884 | Nut 1.1/4" BSP | 2 | | | | |
| 02 | 973024 | Seal 36 x 21 x 6 | 1 | | | | |
| 03 | 013433 | Flat washer | 6 | | | | |
| 04 | 037374 | Lid with breather | 1 | | | | |
| 04A | 233965 | Spray tank lid | 1 | | | | |
| 05 | 063370 | Clamp D 12-16 - stainless steel | 4 | | | | |
| 06 | 091041 | Fitting for hose ø 3/4" with flange ø 33 | 1 | | | | |
| 07 | 107664 | Clamp D14-22 - stainless steel | 8 | | | | |
| 08 | 111450 | Reducer ø 1/2" x ø 3/8" | 1 | | | | |
| 09 | 132761 | Chemical containers rinse nozzle no. 6 | 1 | | | | |
| 10 | 135657 | Hose ø 3/4" x 1000 - black | 1 | | | | |
| 11 | 164681 | Hose 25,4 (1") X 440 - KM 25 - blue | 1 | | | | |
| 12 | 206151 | 3-way regulating valve | 1 | | | | |
| 13 | 208777 | Hose fitting 1" x 33 | 1 | | | | |
| 14 | 209395 | Lock washer M10 | 2 | | | | |
| 15 | 212472 | Packing 45 x 33.5 | 1 | | | | |
| 16 | 212589 | Hose Ø 25,4 (1") X 100 Km 25 - blue | 1 | | | | |
| 17 | 212597 | Hose Ø 25,4 (1") X 225 - Km 25 - blue | 1 | | | | |
| 18 | 219519 | Hose ø 3/8 x 360 | 1 | | | | |
| 19 | 323675 | Ball body | 1 | | | | |
| 20 | 323717 | Clamp D64-83 | 1 | | | | |
| 21 | 323907 | Jacto atomizer assembly 78-2 | 1 | | | | |
| 22 | 325001 | Reinforcement 25 x 30 | 1 | | | | |
| 23 | 350462 | Hose 1/2" x 360 | 1 | | | | |
| 24 | 358218 | Hex. bolt M8 x 80 x 1.25 | 4 | | | | |
| 25 | 402412 | Lock washer ø 31 x 22.5 x 22.5/3.0 | 4 | | | | |
| 26 | 404434 | Hose fitting | 4 | | | | |
| 27 | 423814 | Clamp D22-32 - stainless steel | 12 | | | | |
| 28 | 428748 | Flanged nut 1/2" BSP -14 F.P.P. | 1 | | | | |
| 29 | 458042 | Hose Ø 1/2" x 1000 | 2 | | | | |
| 30 | 511733 | Round nut 1" BSP (40-45) | 4 | | | | |
| 31 | 519736 | Lock washer M8 | 7 | | | | |
| 32 | 600106 | Hose 1" x 500 | 1 | | | | |
| 33 | 623884 | Flat washer 105 x 210 x 20 | 4 | | | | |
| 34 | 638197 | Filter bracket | 2 | | | | |
| 35 | 757559 | Hex. bolt M10 x 30 x 1.25 | 2 | | | | |
| 36 | 810770 | Hex. nut M-8 x 1.25 | 7 | | | | |
| 37 | 829374 | Hex. head bolt M8 x 20 x 1.25 -cl 8.8 | 2 | | | | |
| 38 | 829382 | Hex head bolt M8 x 25 x 1.25 | 1 | | | | |
| 39 | 882662 | Connector 1/2" with curve fitting 3/8" | 1 | | | | |
| 40 | 900761 | Drain cap ø 67 | 1 | | | | |
| 41 | 901868 | Centrifugal pump 1140 | 1 | | | | |
| 42 | 902817 | Male/female elbow ø 1" BSP x 90° | 4 | | | | |
| 43 | 905166 | Hose Ø 25,4 (1") X 1100 - Km 25 - blue | 1 | | | | |
| 44 | 907030 | Hex. nut M10 x 1.25 | 2 | | | | |
| 45 | 910000 | Nipple 1" BSP | 1 | | | | |
| 46 | 917278 | Trapezoid belt | 1 | | | | |
| 47 | 973792 | In line filter II - 80 mesh - nozzle 1/2" | 2 | | | | |
| 48 | 973933 | 400-liter tank with thread (machined part) | 1 | | | | |
| 49 | 088419 | Labyrinth lock | 1 | | | | |
| 50 | 088427 | Labyrinth | 1 | | | | |

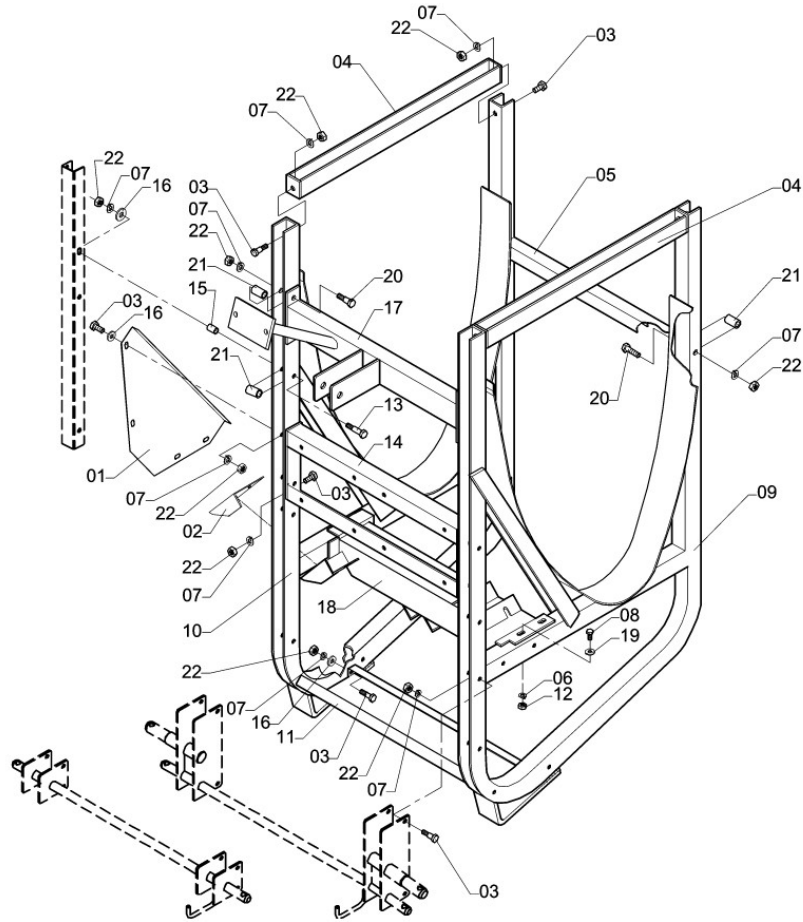
CENTRIFUGAL PUMP 1140



B-15

| Item | CODE | DESCRIPTION | Qty. | Item | CODE | DESCRIPTION | Qty. |
|------|--------|---------------------------------|------|------|------|-------------|------|
| 00 | 901868 | Centrifugal pump 1140 | 1 | | | | |
| 01 | 704874 | Pulley ø 90-1A | 1 | | | | |
| 02 | 901363 | Allen bolt 1/4" - 20 UNC x 1/2" | 1 | | | | |
| 03 | 707067 | Bearing protector | 2 | | | | |
| 04 | 901371 | Snap ring for hole ø 47 | 2 | | | | |
| 05 | 901389 | Fixed bearing no. 6204 DDU | 2 | | | | |
| 06 | 901355 | Square key 3/16" x 22 | 1 | | | | |
| 07 | 815183 | Pump shaft | 1 | | | | |
| 08 | 901686 | Pump support | 1 | | | | |
| 09 | 703132 | Pump body I | 1 | | | | |
| 10 | 918763 | Seal and seat | 1 | | | | |
| 11 | 901405 | O-ring ORI-014 | 1 | | | | |
| 12 | 901348 | Pump rotor | 1 | | | | |
| 13 | 901413 | O-ring ORI-258 | 1 | | | | |
| 14 | 815829 | Hex. nut ø 3/8" - 16 UNC | 1 | | | | |
| 15 | 703140 | Pump body II | 1 | | | | |
| 16 | 901850 | Pump cover | 1 | | | | |
| 17 | 901967 | Screw 1/4" - 20 UNC x 2" | 8 | | | | |
| 18 | 910117 | Lock washer ø 1/4" | 8 | | | | |
| 19 | 912741 | Nut ø 1/4" - 20 UNC | 8 | | | | |

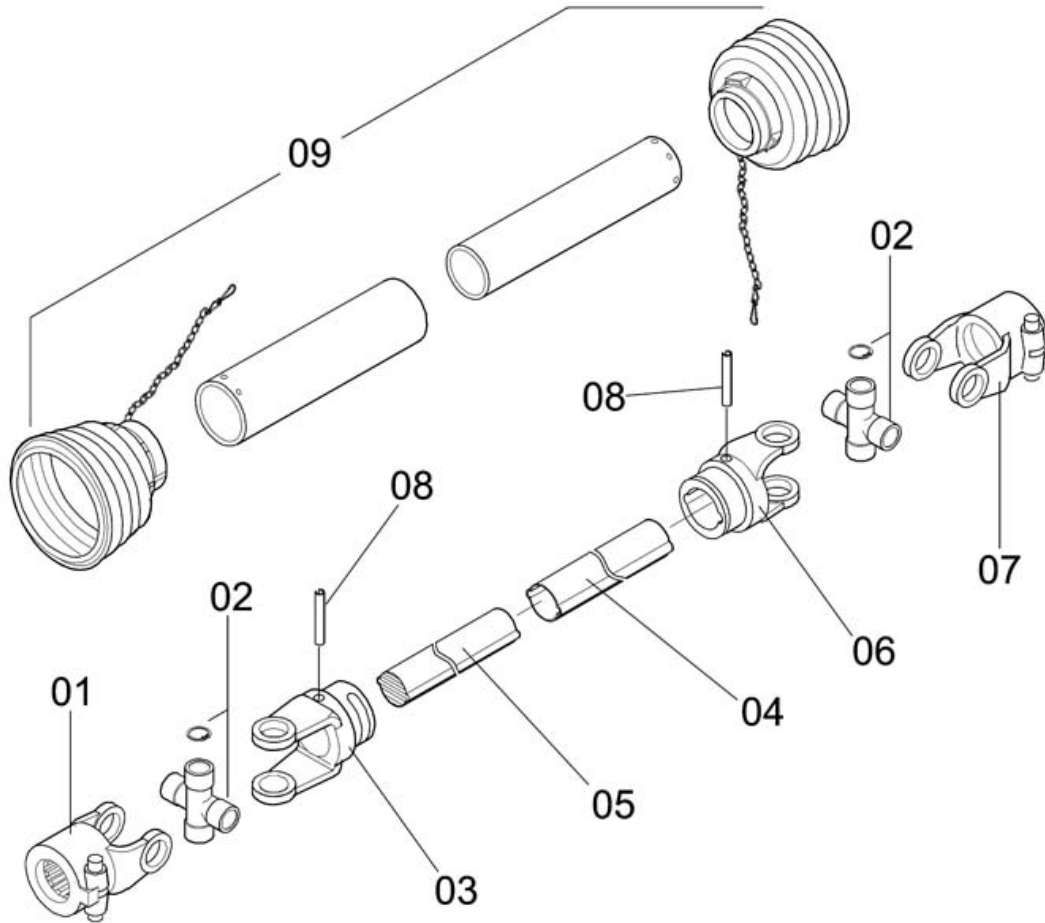
CHASSI AND COMPLEMENTS



C3P-80

| Item | CODE | DESCRIPTION | Qty. | Item | CODE | DESCRIPTION | Qty. |
|------|--------|--|------|------|------|-------------|------|
| 00 | 340919 | Chassi and complements | 1 | | | | |
| 01 | 117887 | Left side guard | 1 | | | | |
| 02 | 117895 | Centrifugal pump pulley shield | 1 | | | | |
| 03 | 168070 | Hex. head bolt M 10 x 25 x 1,25 | 24 | | | | |
| 04 | 203307 | Crossbeam 690 | 2 | | | | |
| 05 | 204073 | Crossbeam 580 | 1 | | | | |
| 06 | 209163 | Lock washer M12 | 6 | | | | |
| 07 | 209395 | Lock washer M10 | 32 | | | | |
| 08 | 280925 | Hex. head bolt M12 x 35 x 1,50 | 6 | | | | |
| 09 | 340935 | Left side sill | 1 | | | | |
| 10 | 340950 | Right side sill | 1 | | | | |
| 11 | 340968 | Pulley shield | 1 | | | | |
| 12 | 427013 | Nut ABTN - 1020 thread M12 x 1,50 | 6 | | | | |
| 13 | 582601 | Hex. head bolt M 10 x 110 x 1,25 | 2 | | | | |
| 14 | 607440 | Driven transmission support | 1 | | | | |
| 15 | 607663 | Spacer bushing | 2 | | | | |
| 16 | 623884 | Flat washer 105 x 210 x 20 | 16 | | | | |
| 17 | 708115 | Chassis head | 1 | | | | |
| 18 | 809244 | Transmission base | 1 | | | | |
| 19 | 818112 | Flat washer 130 x 240 x 30 | 6 | | | | |
| 20 | 825638 | Hex. head screw M10 x 70 x 1.25 - CL 8.8 | 6 | | | | |
| 21 | 905869 | Spacer bushing 44 | 6 | | | | |
| 22 | 907030 | Hex. nut M10 x 1.25 | 32 | | | | |

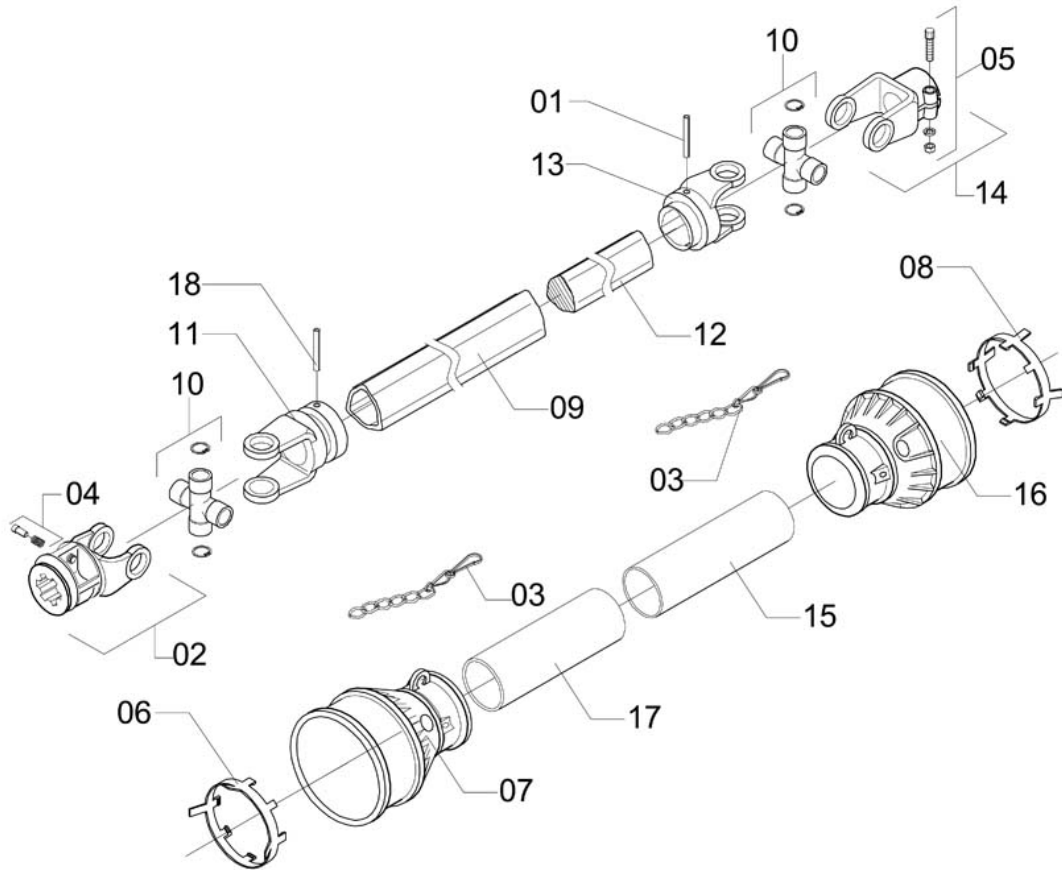
PTO SHAFT 400



CN-10

| Item | CODE | DESCRIPTION | Qty. | Item | CODE | DESCRIPTION | Qty. |
|------|--------|-------------------------------------|------|------|------|-------------|------|
| 00 | 117416 | PTO shaft 400 | 1 | | | | |
| 01 | 227298 | Coupling end (tractor end) | 1 | | | | |
| 02 | 130344 | Cross assembly with lock | 2 | | | | |
| 03 | 227322 | Male tube coupling end | 1 | | | | |
| 04 | 227330 | Female tube | 1 | | | | |
| 05 | 227348 | Male tube | 1 | | | | |
| 06 | 227314 | Female tube coupling end | 1 | | | | |
| 07 | 227306 | Coupling end (sprayer end) | 1 | | | | |
| 08 | 227355 | Flexible pin | 2 | | | | |
| 09 | 227363 | PTO shaft shield assembly (plastic) | 1 | | | | |

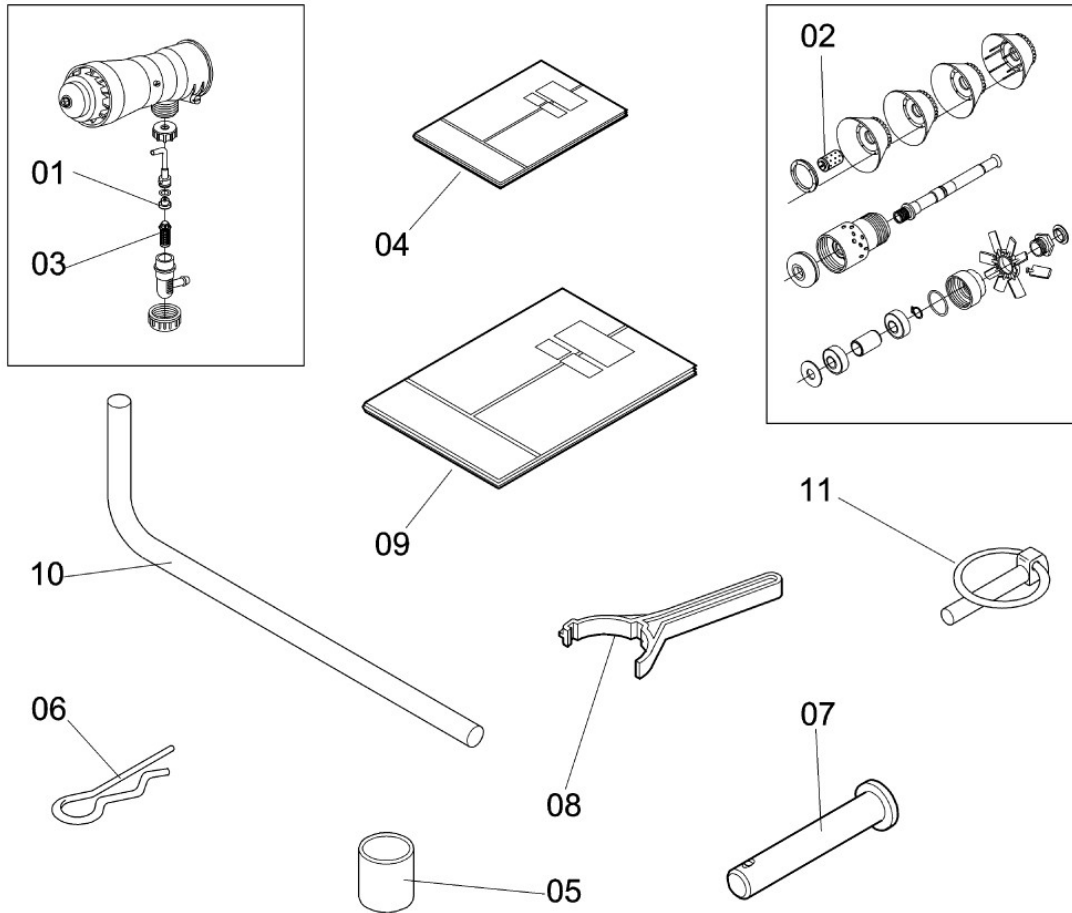
PTO SHAFT 510 (Z=6 X 0 30)



CN-30

| Item | CODE | DESCRIPTION | Qty. | Item | CODE | DESCRIPTION | Qty. |
|------|--------|---|------|------|------|-------------|------|
| 00 | 558916 | PTO shaft 510 (z=6 X 0 30) | 1 | | | | |
| 01 | 207449 | Flexible pin ø 8 x 55 | 1 | | | | |
| 02 | 207589 | Coupling end with lock - tractor end (1.3/8"Z=6) | 1 | | | | |
| 03 | 457127 | Chain | 2 | | | | |
| 04 | 210641 | Lock with spring | 1 | | | | |
| 05 | 457192 | Bolt and nut | 1 | | | | |
| 06 | 643510 | Shield lock | 1 | | | | |
| 07 | 643676 | Cross shield (PTO end) | 1 | | | | |
| 08 | 643569 | Shield lock | 1 | | | | |
| 09 | 643783 | Female tube | 1 | | | | |
| 10 | 643411 | Cross | 2 | | | | |
| 11 | 952761 | Internal coupling end - tractor end | 1 | | | | |
| 12 | 643791 | Male tube | 1 | | | | |
| 13 | 952753 | Internal coupling end - sprayer end | 1 | | | | |
| 14 | 643502 | Coupling end (sprayer end) | 1 | | | | |
| 15 | 643817 | Male tube shield | 1 | | | | |
| 16 | 643700 | Cross shield (sprayer end) | 1 | | | | |
| 17 | 643809 | Female tube shield | 1 | | | | |
| 18 | 912626 | Flexible pin | 1 | | | | |

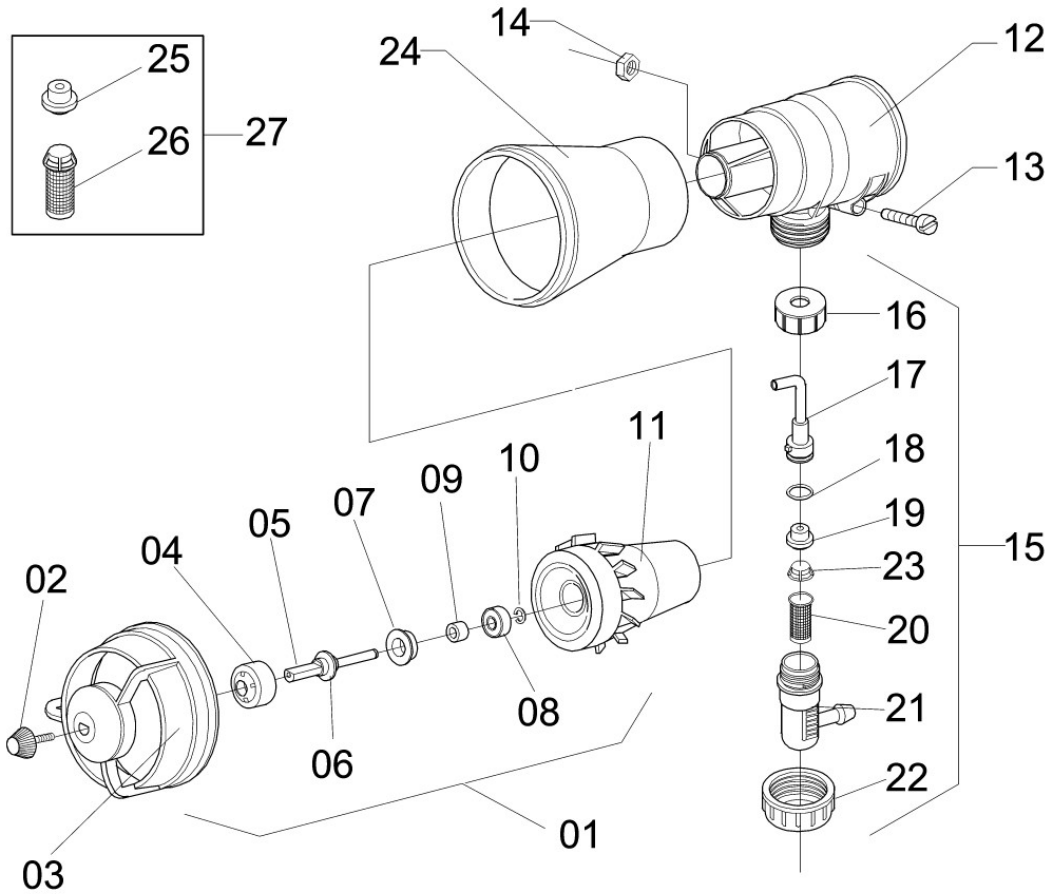
ACCESSORIES BOX FOR "AJ-401 LH"



CXA-110

| Item | CODE | DESCRIPTION | Qty. | Item | CODE | DESCRIPTION | Qty. |
|------|--------|---|------|------|------|-------------|------|
| 00 | 138404 | Accessories box for "AJ-401 LH" | 1 | | | | |
| 01 | 805648 | Dosage cell X-2 (yellow) | 1 | | | | |
| 02 | 212613 | Dose for "UBV" | 1 | | | | |
| 03 | 514950 | Dosage unit filter 45 | 1 | | | | |
| 04 | 158576 | Operator's manual-Chemical container rinse nozzle | 1 | | | | |
| 05 | 400325 | Lower coupling pin sleeve | 3 | | | | |
| 06 | 517409 | Cotter pin 3/16" | 1 | | | | |
| 07 | 602912 | Coupling pin 19 x 113 | 1 | | | | |
| 08 | 703694 | Key 40-45 | 1 | | | | |
| 09 | 783332 | Operator's manual "AJ-401 LH" | 1 | | | | |
| 09A | 867127 | Plastic folder | 1 | | | | |
| 10 | 805085 | Belt tightening lever | 1 | | | | |
| 11 | 812636 | Universal lock pin 7/16" | 2 | | | | |

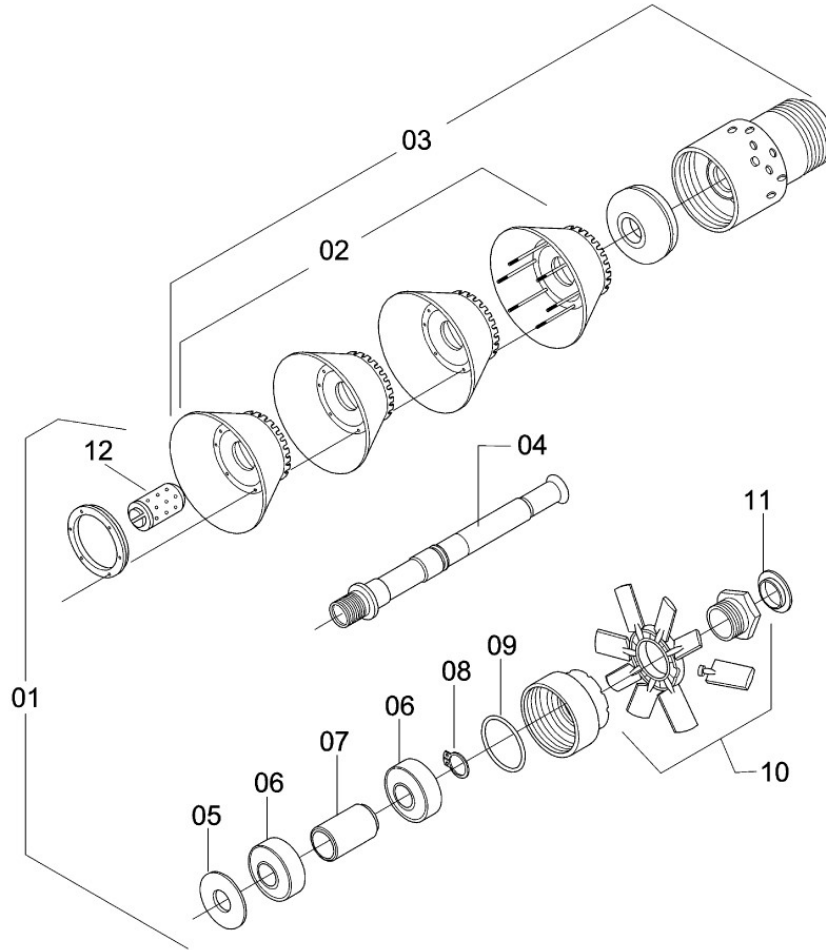
JACTO ATOMIZER ASSEMBLY 78-2



TB-5

| Item | CODE | DESCRIPTION | Qty. | Item | CODE | DESCRIPTION | Qty. |
|------|--------|--|------|------|--------|---|------|
| 00 | 323907 | Jacto atomizer assembly 78-2 | 1 | 26 | 802660 | Dosage unit filter 50 | 1 |
| 01 | 805507 | Rotary atomizer | 1 | 27 | 744243 | Accessories for Jacto turbine (AJ-401-LH) | 1 |
| 02 | 407783 | Screw \varnothing 3/16" - 24 BSW x 9 | 1 | | | | |
| 03 | 804351 | Atomizer support | 1 | | | | |
| 04 | 713560 | Protector | 1 | | | | |
| 05 | 713552 | Shaft 44 | 1 | | | | |
| 06 | 313114 | Protective ring | 1 | | | | |
| 07 | 408641 | Bearing seat | 1 | | | | |
| 08 | 915116 | Bearing no. 625 | 2 | | | | |
| 09 | 313106 | Spacer 5 | 1 | | | | |
| 10 | 915132 | Snap ring for shaft \varnothing 5 | 1 | | | | |
| 11 | 809996 | Turbine rotor | 1 | | | | |
| 12 | 805499 | Turbine body | 1 | | | | |
| 13 | 811034 | Cylinder head bolt M5 x 10 x 0.8 | 1 | | | | |
| 14 | 444109 | Hex. nut M5 x 0.8 | 1 | | | | |
| 15 | 805119 | Doser | 1 | | | | |
| 16 | 515171 | Fastener nut M-22 x 2 | 1 | | | | |
| 17 | 610758 | Dosage unit nozzle | 1 | | | | |
| 18 | 915108 | O-ring ORI-014 | 1 | | | | |
| 19 | 805713 | Dosage cell (190 brown) | 1 | | | | |
| 20 | 802652 | Filter body | 1 | | | | |
| 21 | 712323 | Dosage unit body | 1 | | | | |
| 22 | 712265 | Screw cap M-33 X 2 | 1 | | | | |
| 23 | 514943 | Filter head - black | 1 | | | | |
| 24 | 804369 | Airblast sprayer adapter | 1 | | | | |
| 25 | 805648 | Dosage cell X-2 (yellow) | 1 | | | | |

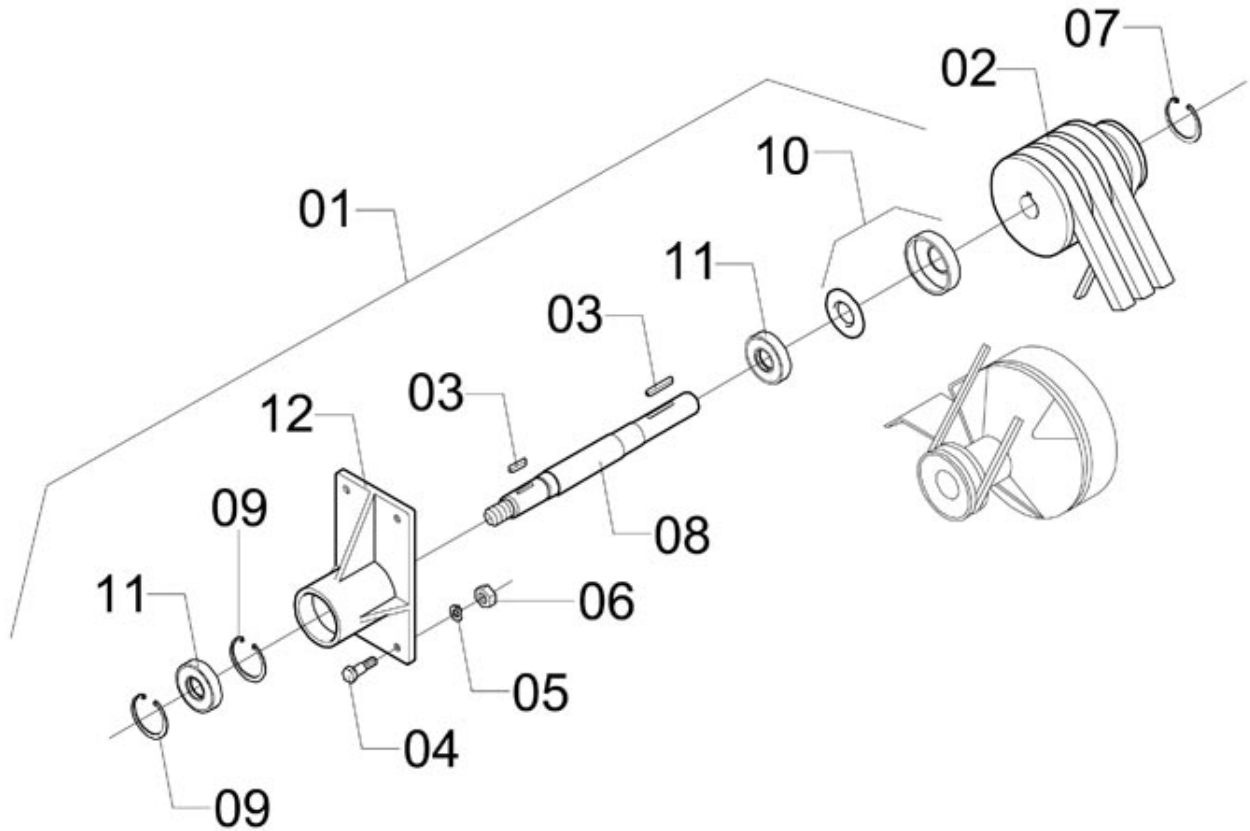
JACTO ATOMIZER " I "



TB-3

| Item | CODE | DESCRIPTION | Qty. | Item | CODE | DESCRIPTION | Qty. |
|------|--------|---------------------------|------|------|------|-------------|------|
| 00 | 612770 | Jacto atomizer " I " | 1 | | | | |
| 01 | 915264 | Turbine body | 1 | | | | |
| 02 | 108084 | Atomizer | 1 | | | | |
| 03 | 101980 | Atomizer with shell | 1 | | | | |
| 04 | 705095 | Shaft | 1 | | | | |
| 05 | 705129 | Flat washer 152 x 272 x 9 | 1 | | | | |
| 06 | 910844 | Bearing 6002 | 2 | | | | |
| 07 | 700039 | Spacer 27 | 1 | | | | |
| 08 | 910851 | Snap ring for shaft 15 | 1 | | | | |
| 09 | 706820 | O-ring ORI-121 | 1 | | | | |
| 10 | 915215 | Propeller | 1 | | | | |
| 11 | 810374 | Dust guard | 1 | | | | |
| 12 | 108076 | Doser 18 | 1 | | | | |

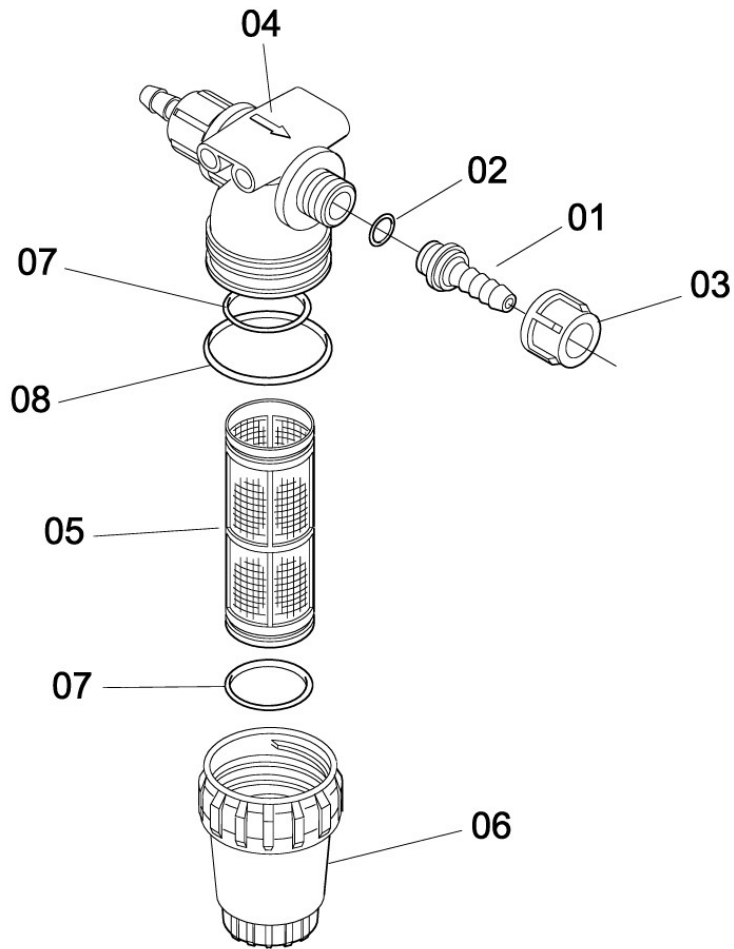
DRIVEN TRANSMISSION AND COMPLEMENTS



TMV-8

| Item | CODE | DESCRIPTION | Qty. | Item | CODE | DESCRIPTION | Qty. |
|------|--------|-------------------------------------|------|------|------|-------------|------|
| 00 | 806703 | Driven transmission and complements | 1 | | | | |
| 01 | 100818 | Bearing block no. 4 | 1 | | | | |
| 02 | 903187 | Pulley ø 116-3A x 90-1A | 1 | | | | |
| 03 | 313965 | Square key 6.35 x 40 | 2 | | | | |
| 04 | 071381 | Screw 3/8" -24 UNF x 1.1/4" | 4 | | | | |
| 05 | 908566 | Lock washer ø 3/8" | 4 | | | | |
| 06 | 908665 | Nut ø 3/8" UNF | 4 | | | | |
| 07 | 426924 | Snap ring 28 | 1 | | | | |
| 08 | 606517 | Shaft no. 4 ø 1.3/8" x 335 | 1 | | | | |
| 09 | 910174 | Snap ring for hole ø 62 | 2 | | | | |
| 10 | 111252 | Inner and outer protector | 1 | | | | |
| 11 | 910182 | Fixed bearing NSK 6206 | 2 | | | | |
| 12 | 806695 | Pillow block body | 1 | | | | |

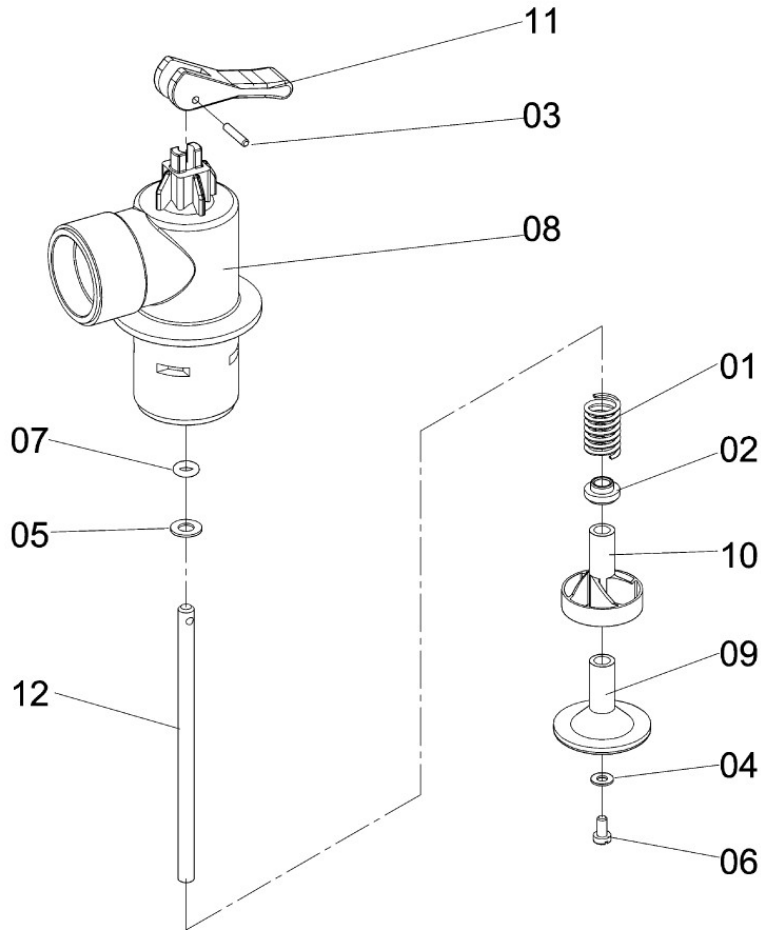
IN-LINE FILTER "II" - 80 MESH - NOZZLE 1/2"



F-12

| Item | CODE | DESCRIPTION | Qty. | Item | CODE | DESCRIPTION | Qty. |
|------|--------|---|------|------|------|-------------|------|
| 00 | 973792 | In-line filter "II" - 80 mesh - Nozzle 1/2" | 1 | | | | |
| 01 | 867085 | Fitting Ø 1/2" with flange Ø 23.6 | 2 | | | | |
| 02 | 322057 | O-ring ORI-114 | 2 | | | | |
| 03 | 874339 | In-line filter nut | 2 | | | | |
| 04 | 873430 | In-line filter body | 1 | | | | |
| 05 | 873455 | Filtering element - 80 mesh | 1 | | | | |
| 06 | 873448 | Filtering element nut | 1 | | | | |
| 07 | 881839 | O-ring OR2-124 | 2 | | | | |
| 08 | 977306 | O-ring OR1-227 | 1 | | | | |

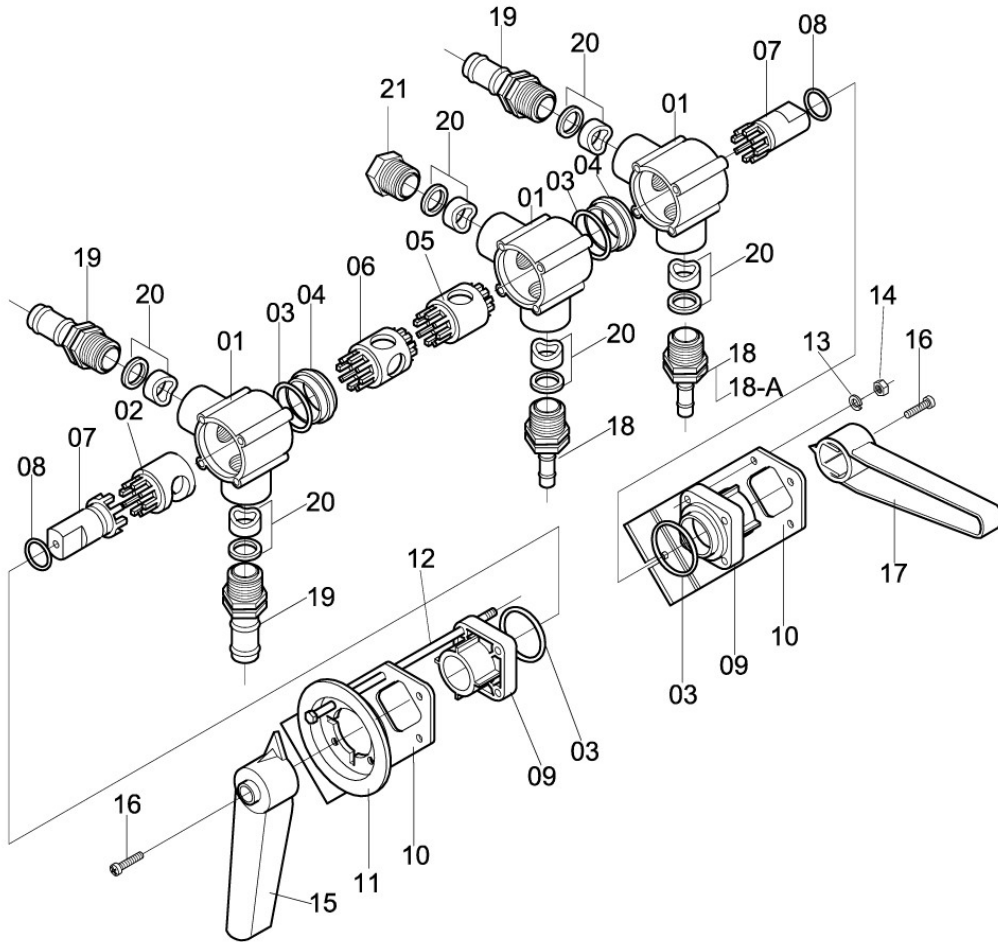
DIRECTIONAL VALVE



CV-167

| Item | CODE | DESCRIPTION | Qty. | Item | CODE | DESCRIPTION | Qty. |
|------|--------|---|------|------|------|-------------|------|
| 00 | 054395 | Directional valve | 1 | | | | |
| 01 | 044057 | Compression spring 12.7 | 1 | | | | |
| 02 | 048199 | Seal | 1 | | | | |
| 03 | 049858 | Lever pin | 1 | | | | |
| 04 | 050187 | Flat washer 43 x 90 x 8 | 1 | | | | |
| 05 | 050195 | Flat washer 64 x 125 x 95 stainless steel | 1 | | | | |
| 06 | 050211 | Screw M4 x 8 | 1 | | | | |
| 07 | 050237 | O-ring OR2-108 | 1 | | | | |
| 08 | 054403 | Valve body | 1 | | | | |
| 09 | 054429 | Piston cup | 1 | | | | |
| 10 | 054437 | Guide | 1 | | | | |
| 11 | 054445 | Rinse nozzle lever | 1 | | | | |
| 12 | 054452 | Spring Guide Pin | 1 | | | | |

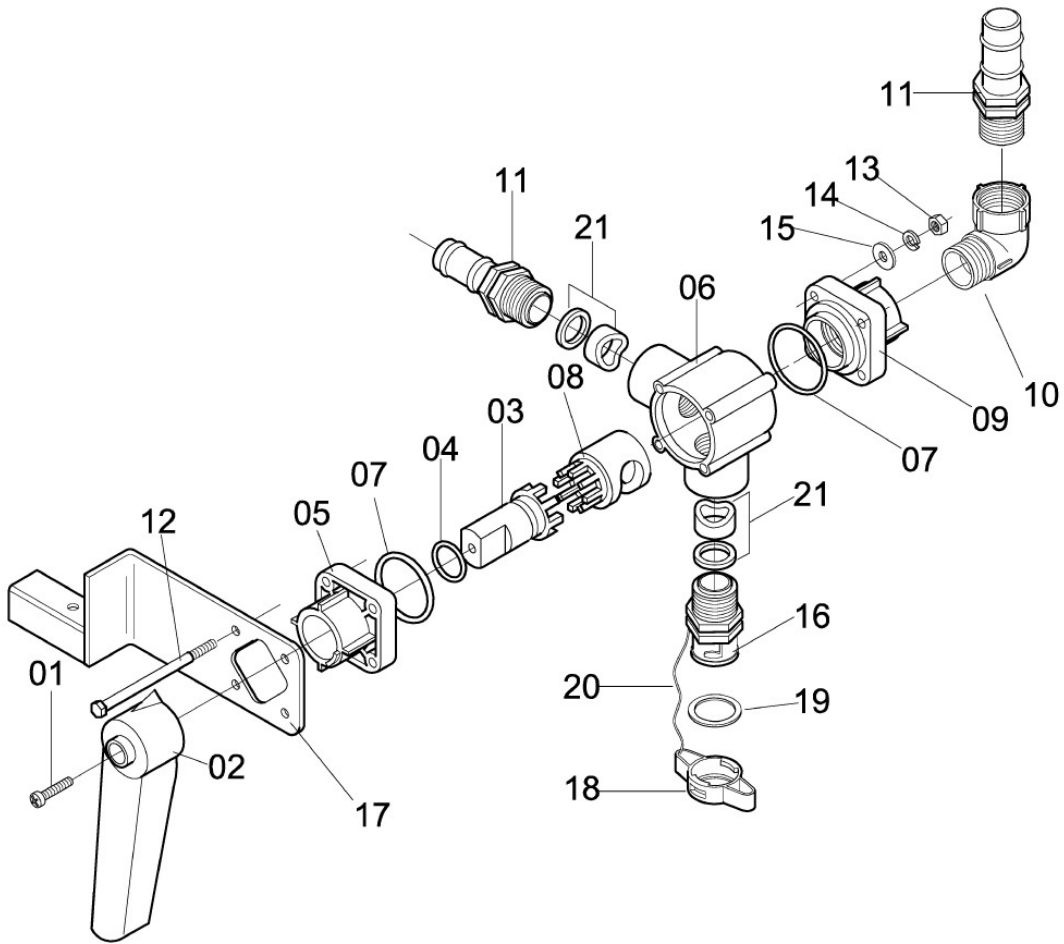
FLOW RATE REGULATING VALVE (100 L)



CV-19

| Item | CODE | DESCRIPTION | Qty. | Item | CODE | DESCRIPTION | Qty. |
|------|--------|--|------|------|------|-------------|------|
| 00 | 325365 | Flow rate regulating valve (100 L) | 1 | | | | |
| 01 | 200121 | Core body | 3 | | | | |
| 02 | 200014 | Regulator core | 1 | | | | |
| 03 | 216200 | O-ring ORI-132 | 4 | | | | |
| 04 | 200022 | Valve guide | 2 | | | | |
| 05 | 200030 | Core I | 1 | | | | |
| 06 | 325035 | Core II | 1 | | | | |
| 07 | 200048 | Valve rod | 2 | | | | |
| 08 | 216192 | O-ring OR1-213 | 2 | | | | |
| 09 | 322594 | Valve cover | 2 | | | | |
| 10 | 212142 | Valve base | 2 | | | | |
| 11 | 212134 | Indicator | 1 | | | | |
| 12 | 212159 | Bolt \varnothing 1/4" - 20 UNC x 178 | 4 | | | | |
| 13 | 910117 | Lock washer \varnothing 1/4" | 4 | | | | |
| 14 | 912741 | Nut \varnothing 1/4" - 20 UNC | 4 | | | | |
| 15 | 200204 | Setting lever | 1 | | | | |
| 16 | 211227 | Screw | 2 | | | | |
| 17 | 212571 | Setting lever | 1 | | | | |
| 18 | 212175 | Fitting \varnothing 1/2" x 1" BSP | 2 | | | | |
| 19 | 404459 | Hose fitting 1" x 1" BSP | 1 | | | | |
| 20 | 211235 | Seat and packing ring | 6 | | | | |
| 21 | 325019 | Plug 1" BSP | 1 | | | | |

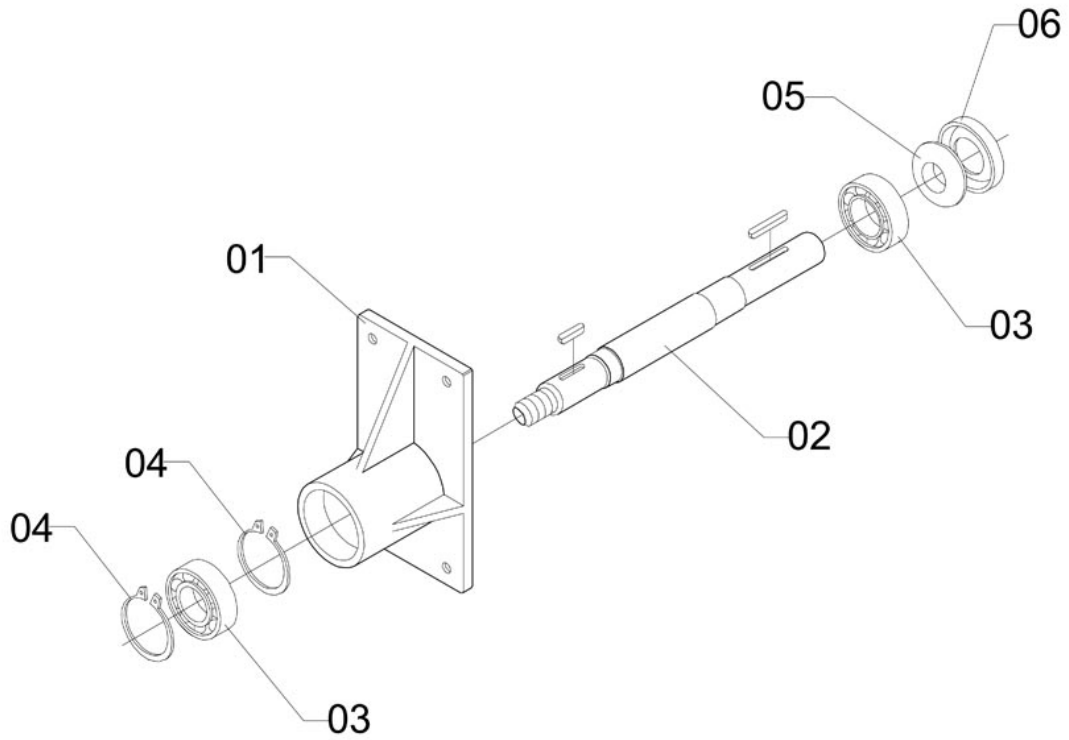
3-WAY REGULATING VALVE



CV-18

| Item | CODE | DESCRIPTION | Qty. | Item | CODE | DESCRIPTION | Qty. |
|------|--------|---------------------------------------|------|------|------|-------------|------|
| 00 | 206151 | 3-way regulating valve | 1 | | | | |
| 01 | 211227 | Screw | 1 | | | | |
| 02 | 212571 | Setting lever | 1 | | | | |
| 03 | 200048 | Valve rod | 1 | | | | |
| 04 | 216192 | O-ring OR1-213 | 1 | | | | |
| 05 | 322594 | Valve cover | 1 | | | | |
| 06 | 200121 | Core body | 1 | | | | |
| 07 | 216200 | O-ring ORI-132 | 2 | | | | |
| 08 | 200014 | Regulator core | 1 | | | | |
| 09 | 200170 | Valve cover ø 1" - BSP | 1 | | | | |
| 10 | 902817 | Male/female elbow 1" BSP x 90 degrees | 1 | | | | |
| 11 | 404459 | Hose fitting 1" x 1" BSP | 2 | | | | |
| 12 | 216218 | Bolt ø 1/4" - 20 UNC x 3.1/4" | 4 | | | | |
| 13 | 912741 | Nut ø 1/4" - 20 UNC | 4 | | | | |
| 14 | 910117 | Lock washer ø 1/4" | 4 | | | | |
| 15 | 707182 | Flat washer 63 x 140 x 9.1 | 4 | | | | |
| 16 | 206177 | Coupling body ø 1" | 1 | | | | |
| 17 | 206169 | Valve bracket | 1 | | | | |
| 18 | 614289 | Plug with nylon yarn | 1 | | | | |
| 19 | 206185 | Packing ring ø 32.8 x 6.00 | 1 | | | | |
| 20 | 228916 | Nylon yarn ø 1.00 x 220 | 1 | | | | |
| 21 | 211235 | Seat and packing ring | 2 | | | | |

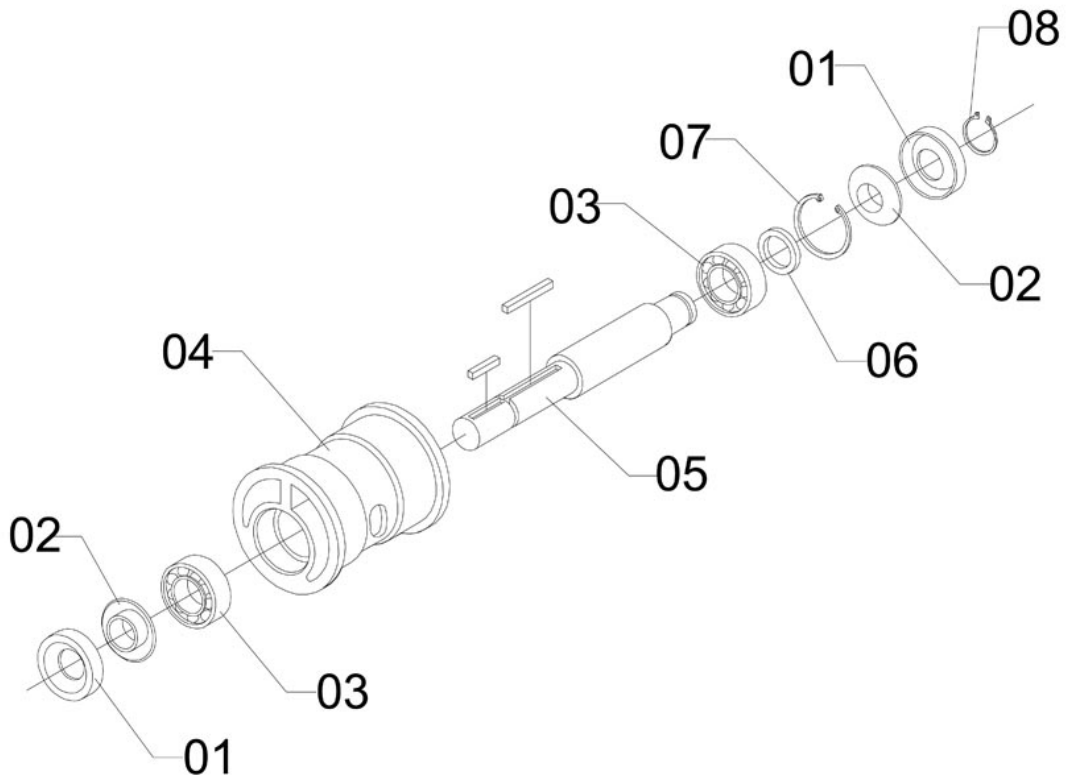
BEARING BLOCK NO. 4



TMV-41

| Item | CODE | DESCRIPTION | Qty. | Item | CODE | DESCRIPTION | Qty. |
|------|--------|----------------------------|------|------|------|-------------|------|
| 00 | 100818 | Bearing block no. 4 | 1 | | | | |
| 01 | 806695 | Pillow block body | 1 | | | | |
| 02 | 606517 | Shaft no. 4 ø 1.3/8" x 335 | 1 | | | | |
| 03 | 910182 | Fixed bearing NSK 6206 | 2 | | | | |
| 04 | 910174 | Snap ring for hole ø 62 | 2 | | | | |
| 05 | 712661 | Inner and outer protector | 1 | | | | |
| 06 | 712679 | External protection | 1 | | | | |

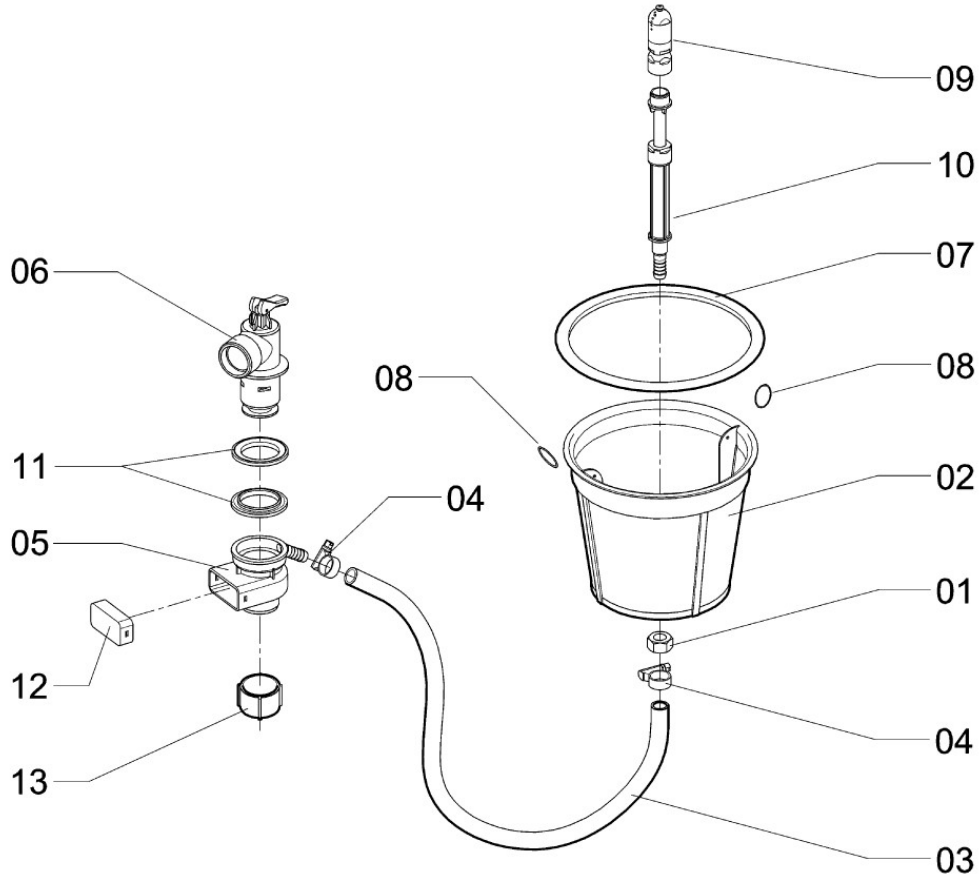
BEARING BLOCK NO. 14



TMV-43

| Item | CODE | DESCRIPTION | Qty. | Item | CODE | DESCRIPTION | Qty. |
|------|--------|----------------------------|------|------|------|-------------|------|
| 00 | 543132 | Bearing block no. 14 | 1 | | | | |
| 01 | 712679 | External protection | 2 | | | | |
| 02 | 712661 | Inner and outer protector | 2 | | | | |
| 03 | 910182 | Fixed bearing NSK 6206 | 2 | | | | |
| 04 | 808279 | Bearing body | 1 | | | | |
| 05 | 543140 | Shaft no. 14 | 1 | | | | |
| 06 | 712687 | Flat washer 305 x 400 x 19 | 1 | | | | |
| 07 | 910174 | Snap ring for hole ø 62 | 1 | | | | |
| 08 | 910166 | Snap ring for shaft | 1 | | | | |

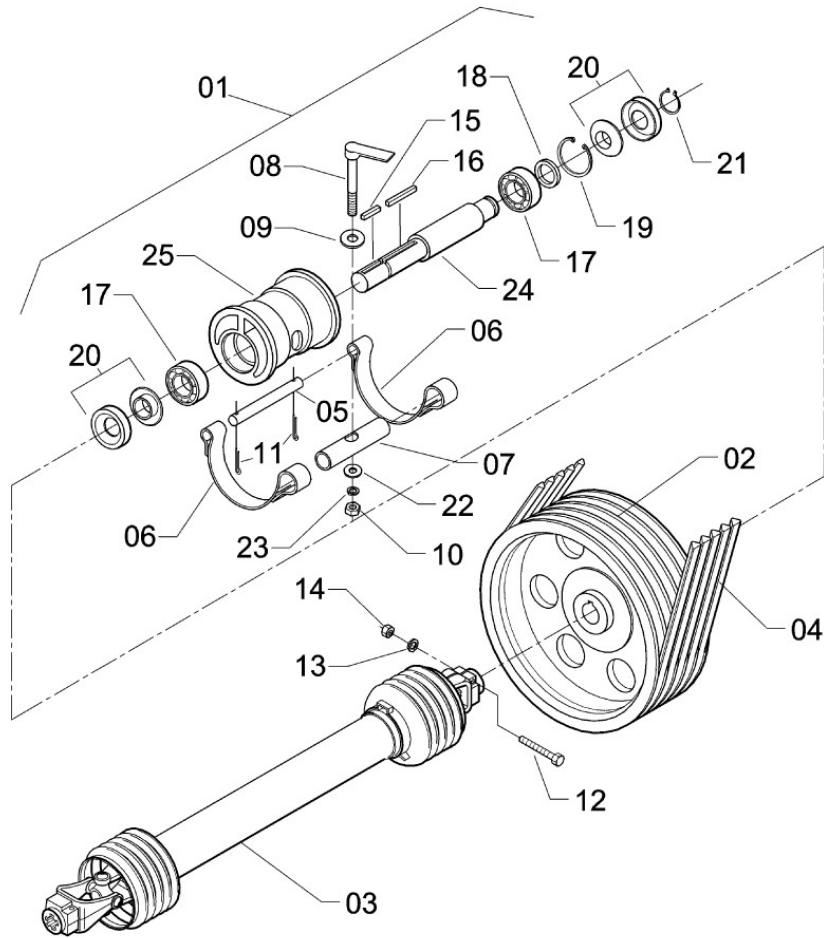
CHEMICAL CONTAINERS RINSE NOZZLE NO. 6



KIT-53

| Item | CODE | DESCRIPTION | Qty. | Item | CODE | DESCRIPTION | Qty. |
|------|--------|--|------|------|------|-------------|------|
| 00 | 132761 | Chemical containers rinse nozzle no. 6 | 1 | | | | |
| 01 | 938498 | Hex. nut M16 x 2.00 | 1 | | | | |
| 02 | 061788 | Strainer 190-2T | 1 | | | | |
| 03 | 071886 | Hose 12.7 (1/2") x 600 | 1 | | | | |
| 04 | 107664 | Clamp D14-22 - stainless steel | 2 | | | | |
| 05 | 132753 | Fixador da Válvula | 1 | | | | |
| 06 | 054395 | Directional valve | 1 | | | | |
| 07 | 516393 | Strainer packing ring | 1 | | | | |
| 08 | 622969 | Double ring \varnothing 22 x 26 x 3 | 2 | | | | |
| 09 | 071944 | Rinse nozzle | 1 | | | | |
| 10 | 088237 | Chemical container rinse nozzle rod | 1 | | | | |
| 11 | 088245 | Packing ring | 2 | | | | |
| 12 | 097410 | Valve fastener plug | 1 | | | | |
| 13 | 005884 | Nut 1.1/4" BSP | 1 | | | | |

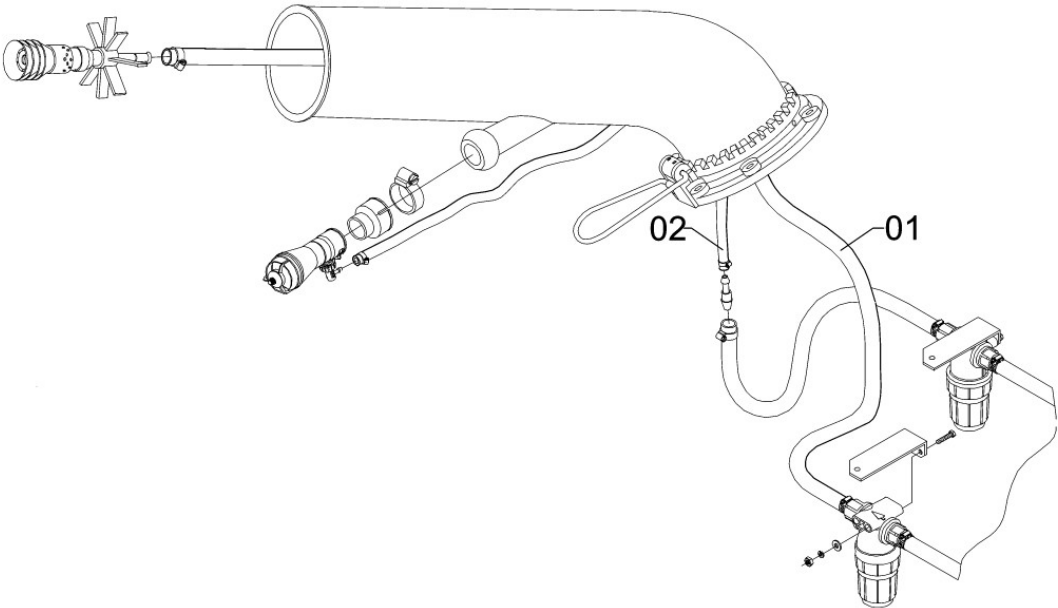
DRIVE TRANSMISSION AND COMPLEMENTS



TMT-48

| Item | CODE | DESCRIPTION | Qty. | Item | CODE | DESCRIPTION | Qty. |
|------|--------|------------------------------------|------|------|--------|---------------------------------|------|
| 00 | 543157 | Drive transmission and complements | 1 | 25 | 808279 | Bearing body | 1 |
| 01 | 543132 | Bearing block no. 14 | 1 | | 428631 | Sticker: Pto shaft instructions | 1 |
| 02 | 543165 | Pulley ø 297-5A | 1 | | | | |
| 03 | 117416 | PTO shaft 400 | 1 | | | | |
| 03A | 558916 | PTO shaf with shield | 1 | | | | |
| 04 | 907592 | Trapezoid belt A-45 | 5 | | | | |
| 05 | 807891 | Tightener strap shaft | 1 | | | | |
| 06 | 809293 | Pillow block strap | 2 | | | | |
| 07 | 710772 | Tightening strap shaft | 1 | | | | |
| 08 | 916239 | Screw 1/2" - 13 UNC with wing | 1 | | | | |
| 09 | 916148 | Flat washer 132 x 404 x 47.5 | 1 | | | | |
| 10 | 912790 | Hex. nut 1/2" - 13 UNC | 1 | | | | |
| 11 | 910240 | Cotter pin ø 3.18 x 25.4 | 2 | | | | |
| 12 | 626242 | Bolt M-12 x 80 x 1.75 | 1 | | | | |
| 13 | 209163 | Lock washer M12 | 1 | | | | |
| 14 | 427013 | Nut ABTN - 1020 thread M12 x 1,50 | 1 | | | | |
| 15 | 324624 | Square key 5/16" x 4" | 1 | | | | |
| 16 | 531673 | Square key 5/16 _ø x 58 | 1 | | | | |
| 17 | 910182 | Fixed bearing NSK 6206 | 2 | | | | |
| 18 | 712687 | Flat washer 305 x 400 x 19 | 1 | | | | |
| 19 | 910174 | Snap ring for hole ø 62 | 1 | | | | |
| 20 | 111252 | Inner and outer protector | 2 | | | | |
| 21 | 910166 | Snap ring for shaft | 1 | | | | |
| 22 | 881227 | Flat washer 130 x 270 x 30 | 1 | | | | |
| 23 | 908582 | Lock washer 1/2" | 1 | | | | |
| 24 | 543140 | Shaft no. 14 | 1 | | | | |

ASSEMBLY (HOSES - TURBINE FEEDING)

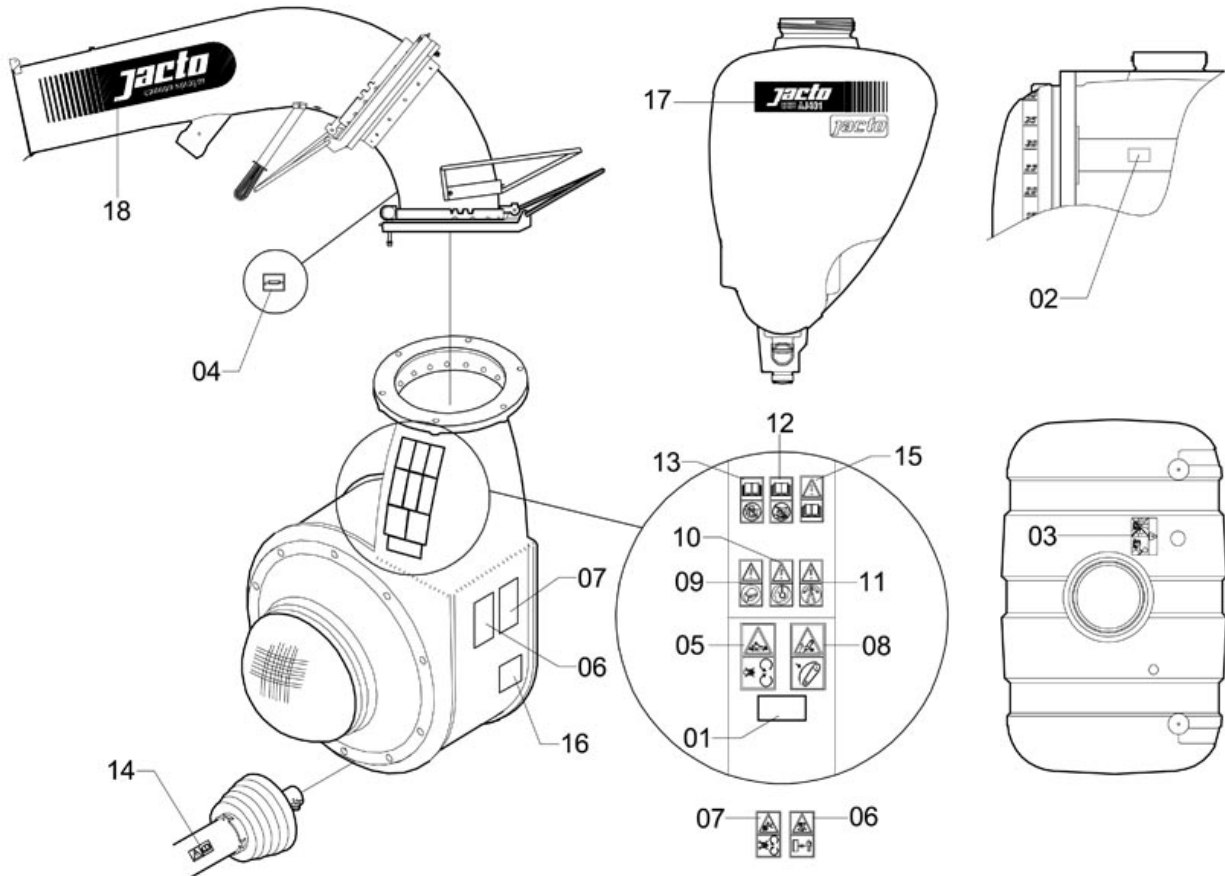


CD-374

| Item | CODE | DESCRIPTION | Qty. |
|------|--------|------------------------------------|------|
| 00 | 884692 | Assembly (hoses - turbine feeding) | 1 |
| 01 | 458042 | Hose Ø 1/2" x 1000 | 1 |
| 02 | 918722 | Hose Ø 9,60 (3/8") X 1600 - PT 80 | 1 |

| Item | CODE | DESCRIPTION | Qty. |
|------|------|-------------|------|
| | | | |
| | | | |
| | | | |
| | | | |
| | | | |
| | | | |
| | | | |
| | | | |
| | | | |

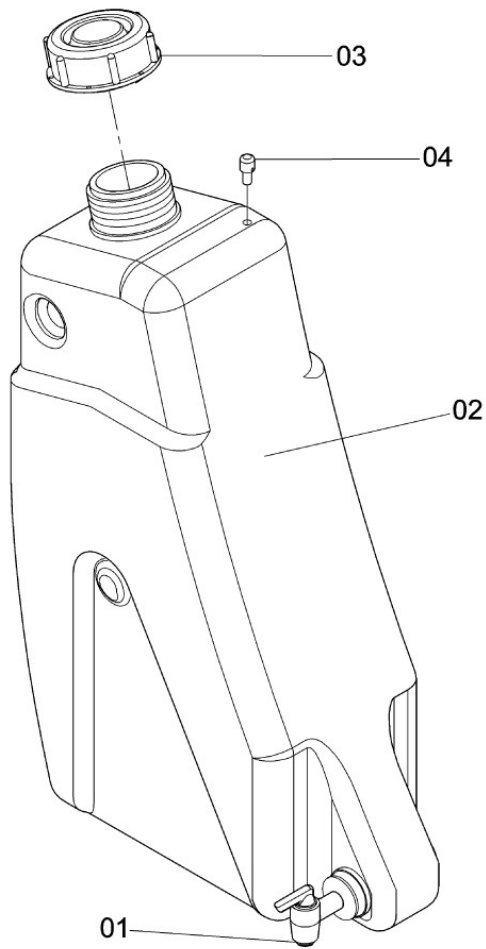
LAYOUT STICKERS FOR AJ-401 LH



ADS-73

| Item | CODE | DESCRIPTION | Qty. | Item | CODE | DESCRIPTION | Qty. |
|------|--------|--|------|------|--------|-----------------------------------|------|
| 00 | 884718 | Layout stickers for AJ-401 LH | 1 | 18A | 049379 | Sticker: "Jacto" Cannon Sprayer D | 1 |
| 01 | 013169 | Sticker: "OK- FINAL TEST" | 1 | | | | |
| 02 | 046862 | Identification plate drawing | 1 | | | | |
| 03 | 169128 | Sticker: "Chemical container rinse nozzle" | 1 | | | | |
| 04 | 276220 | Sticker: "Lubrication Point Indication" | 1 | | | | |
| 05 | 379008 | Sticker: "Danger - PTO Shaft" | 1 | | | | |
| 06 | 379040 | Sticker: "Attention - Keep at a Distance" | 1 | | | | |
| 07 | 379057 | Sticker: "Keep at a Distance - Fan" | 1 | | | | |
| 08 | 379065 | Sticker: "Keep all shields in place" | 1 | | | | |
| 09 | 379115 | Sticker: "Obligatory Use of Respirator" | 1 | | | | |
| 10 | 379123 | Sticker: "Obligatory Use of Hearing Protection" | 1 | | | | |
| 11 | 379131 | Sticker: "Obligatory Use of Protective Clothing" | 1 | | | | |
| 12 | 379214 | Sticker: "Maximum Speed 30 KM/H" | 1 | | | | |
| 13 | 379222 | Sticker: "This Machine Is Not Allowed In Highways" | 1 | | | | |
| 14 | 379230 | Sticker: "Read Operator's Manual - Horizontal" | 1 | | | | |
| 15 | 379248 | Sticker: "Read Operator's Manual - Vertical" | 1 | | | | |
| 16 | 379073 | Decal "Attention: Clean water tank for washing hands." | 1 | | | | |
| 17 | 049320 | Sticker: "Jacto" - Cannon Sprayer AJ 401 | 1 | | | | |
| 18 | 049387 | Sticker: "Jacto" - Cannon Sprayer E | 1 | | | | |

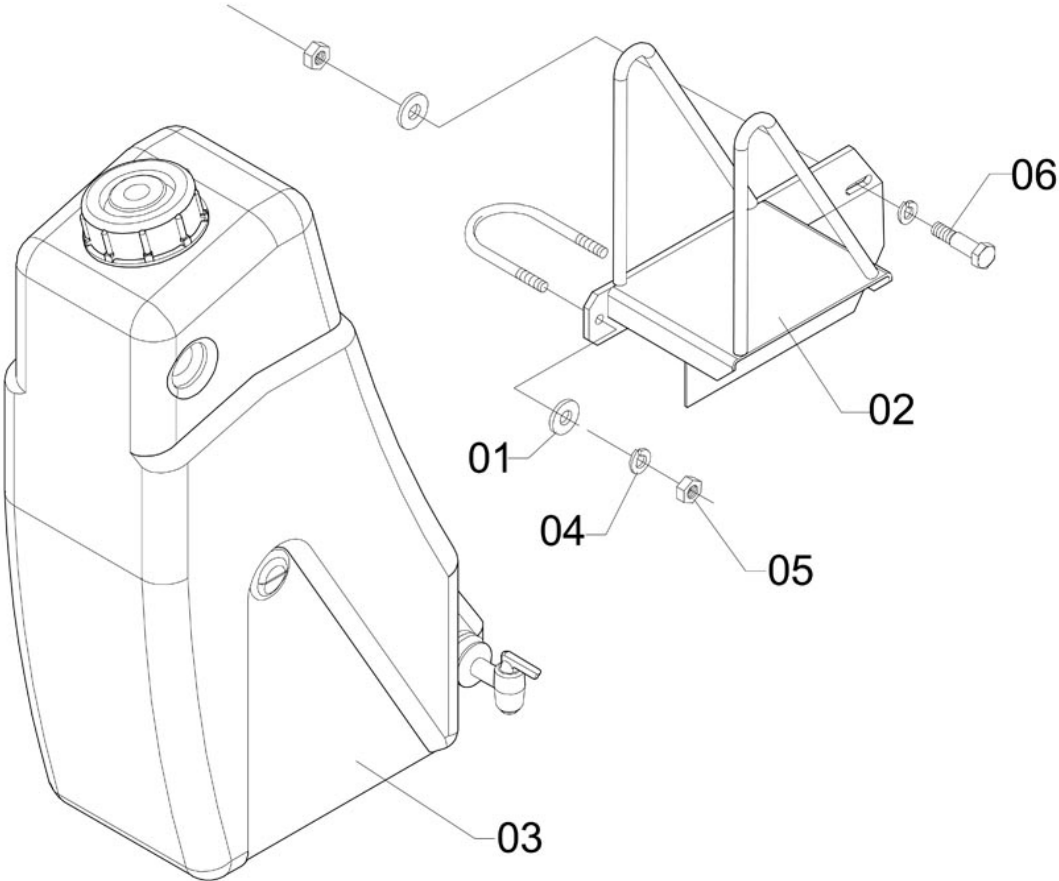
15-LITER TANK- LEFT



D-47

| Item | CODE | DESCRIPTION | Qty. | Item | CODE | DESCRIPTION | Qty. |
|------|--------|---------------------------|------|------|------|-------------|------|
| 00 | 133215 | 15-liter tank- left | 1 | | | | |
| 01 | 044180 | Plastic tap 23 x 3/8" BSP | 1 | | | | |
| 02 | 134064 | 15-liter tank - left | 1 | | | | |
| 03 | 247262 | Cover | 1 | | | | |
| 04 | 247270 | Breather | 1 | | | | |

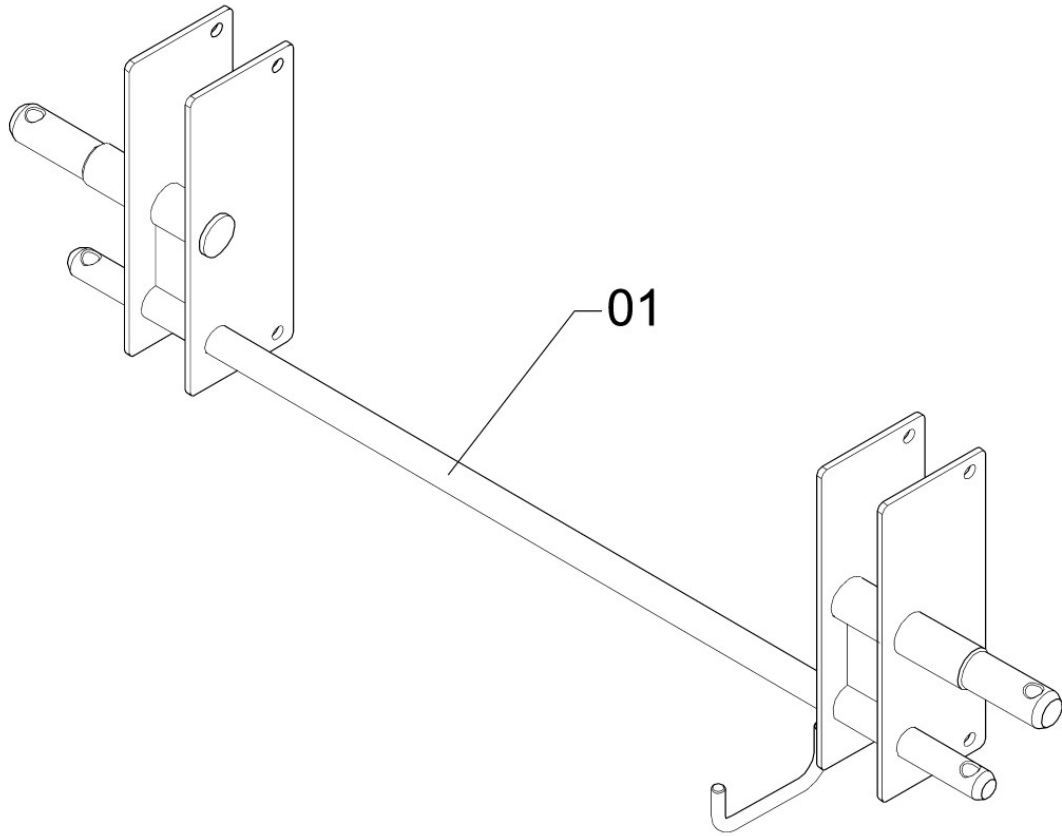
15-LITER TANK ASSEMBLY WITH SUPPORT



D-92

| Item | CODE | DESCRIPTION | Qty. | Item | CODE | DESCRIPTION | Qty. |
|------|--------|-------------------------------------|------|------|------|-------------|------|
| 00 | 886275 | 15-liter tank assembly with support | 1 | | | | |
| 01 | 018358 | Flat washer 81 x 200 x 19 | 3 | | | | |
| 02 | 132191 | Tank support - left | 1 | | | | |
| 03 | 133215 | 15-liter tank- left | 1 | | | | |
| 04 | 519736 | Lock washer M8 | 3 | | | | |
| 05 | 810770 | Hex. nut M-8 x 1.25 | 3 | | | | |
| 06 | 829382 | Hex head bolt M8 x 25 x 1.25 | 1 | | | | |

HITCH PIN FOR TRACTOR CLASS 2

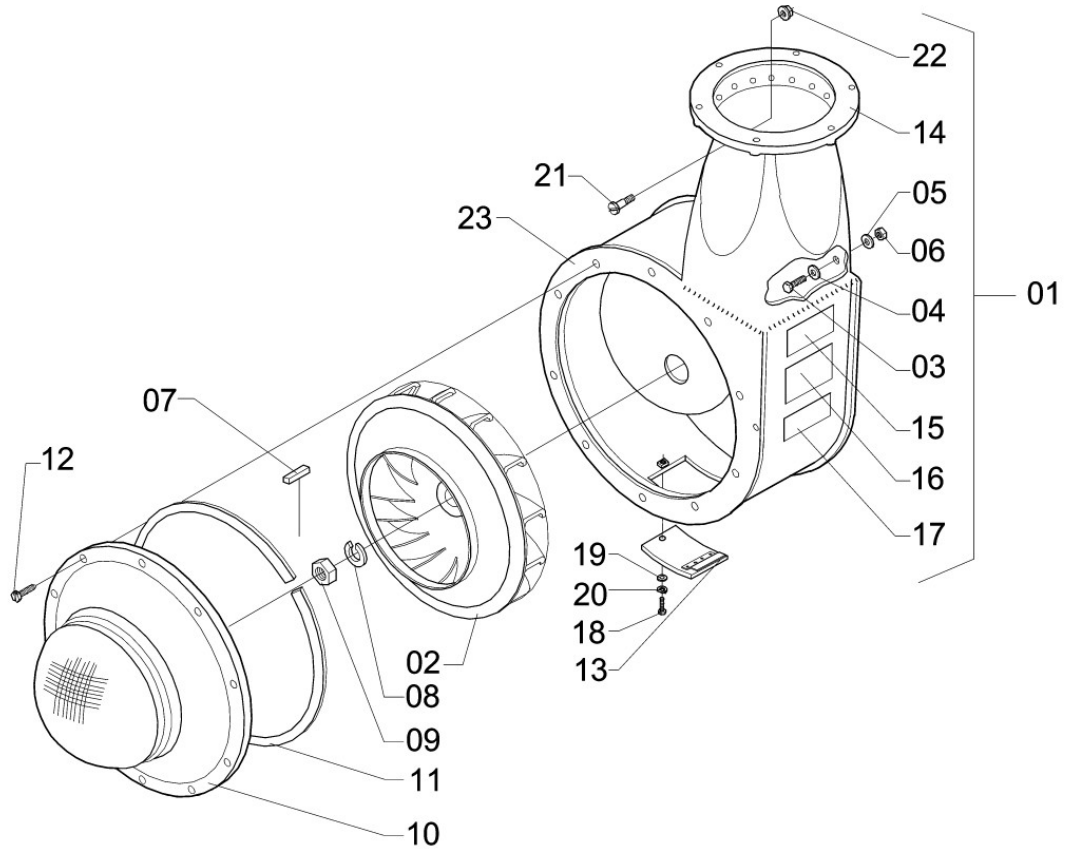


C3P-83

| Item | CODE | DESCRIPTION | Qty. |
|------|--------|-------------------------------|------|
| 00 | 799643 | Hitch pin for tractor class 2 | 1 |

| Item | CODE | DESCRIPTION | Qty. |
|------|------|-------------|------|
|------|------|-------------|------|

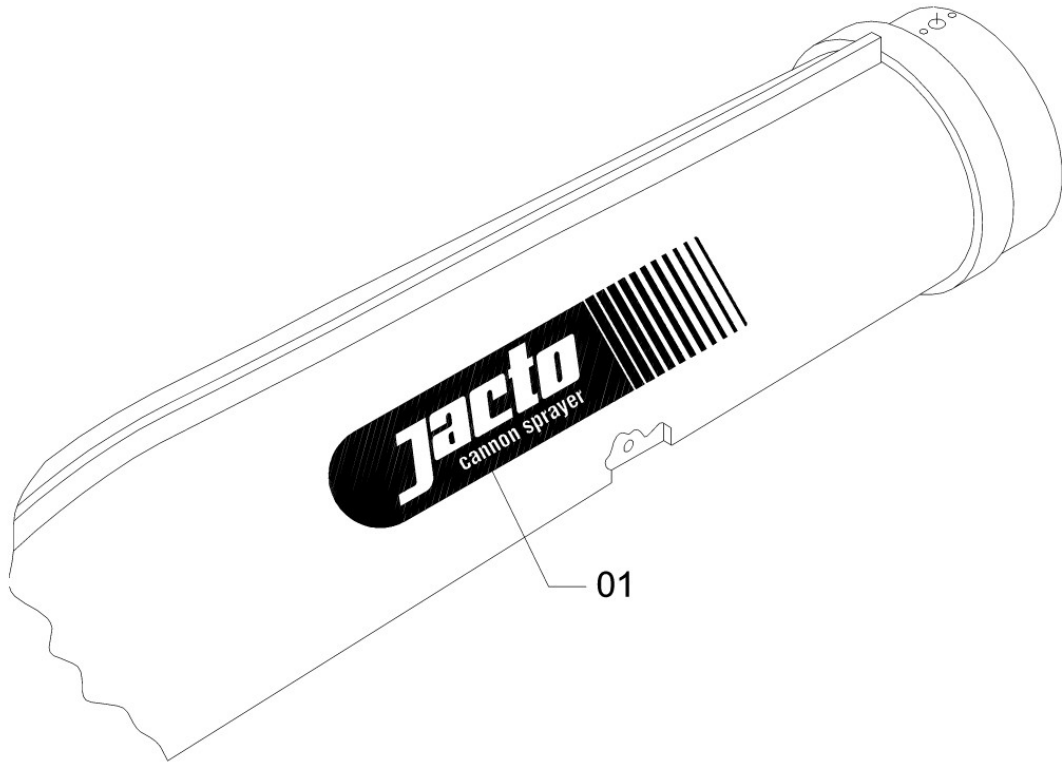
FAN HOUSING WITH FAN



V-12

| Item | CODE | DESCRIPTION | Qty. | Item | CODE | DESCRIPTION | Qty. |
|------|---------|--|------|------|------|-------------|------|
| 00 | 638577 | Fan housing with fan | 1 | | | | |
| 01 | 708198 | Fan box assembly | 1 | | | | |
| 02 | 600874 | Fan | 1 | | | | |
| 03 | 912709 | Bolt \varnothing 3/8" - 16 UNC x 1" | 9 | | | | |
| 04 | 507855 | Flat washer 103 x 375 x 30 | 9 | | | | |
| 05 | 416735 | Flat washer 100 x 260 x 30 | 9 | | | | |
| 06 | 108761 | Nut 3/8" - 16 UNC] | 9 | | | | |
| 07 | 313965 | Square key 1/4" x 40 | 1 | | | | |
| 08 | 910075 | Lock washer \varnothing 1" | 1 | | | | |
| 09 | 007054 | Hex. nut \varnothing 1" - 14 UNF | 1 | | | | |
| 10 | 808105 | Fan housing cover | 1 | | | | |
| 11 | 808717 | Packing | 1 | | | | |
| 12 | 910745 | Self-locking screw \varnothing 1/4" x 3/4" | 10 | | | | |
| 13 | 638130 | Cleaning opening cap | 1 | | | | |
| 14 | 814350 | Lower fixed flange | 1 | | | | |
| 15 | 039420 | Sticker: "Chemicals" (Port.) | 1 | | | | |
| 16 | 130633 | Sticker: "Chemicals" (English) | 1 | | | | |
| 16A | 130641 | Sticker: "Chemicals" (Spanish) | 1 | | | | |
| 17 | 039396 | Sticker: "PTO shaft protection" | 1 | | | | |
| 18 | 523977 | Bolt 5/16" - 18 UNC x 1/2" | 1 | | | | |
| 19 | 013433 | Flat washer | 1 | | | | |
| 20 | 519736 | Lock washer M8 | 1 | | | | |
| 21 | 062273 | Hex. head bolt M6 | 18 | | | | |
| 22 | 1150358 | HEX NUT WITH FLANGE M 6 x 1 8.8 (STEEL) | 18 | | | | |
| 23 | 638585 | Fan housing | 1 | | | | |

STICKER: "JACTO" CANNON SPRAYER D

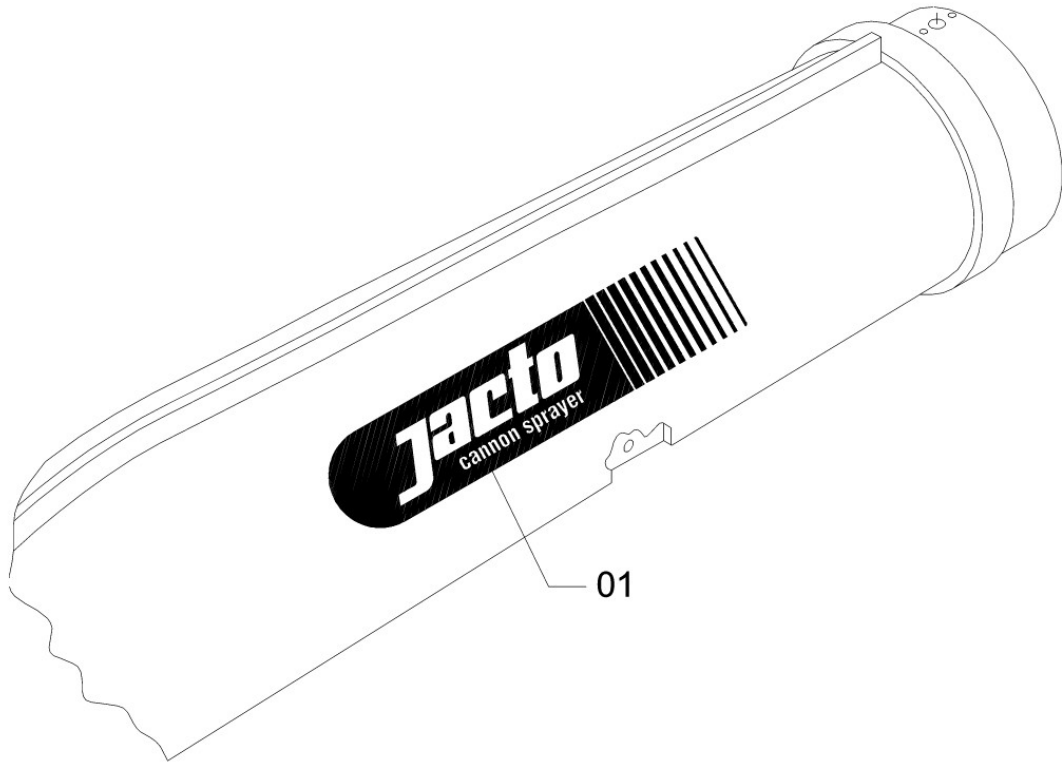


ADS-34

| Item | CODE | DESCRIPTION | Qty. |
|------|--------|-------------------------------------|------|
| 00 | 049379 | Sticker: "Jacto" Cannon Sprayer D | 1 |
| 01 | 049379 | Sticker: "Jacto" - Cannon Sprayer D | 1 |

| Item | CODE | DESCRIPTION | Qty. |
|------|------|-------------|------|
| | | | |

STICKER: "JACTO" - CANNON SPRAYER E

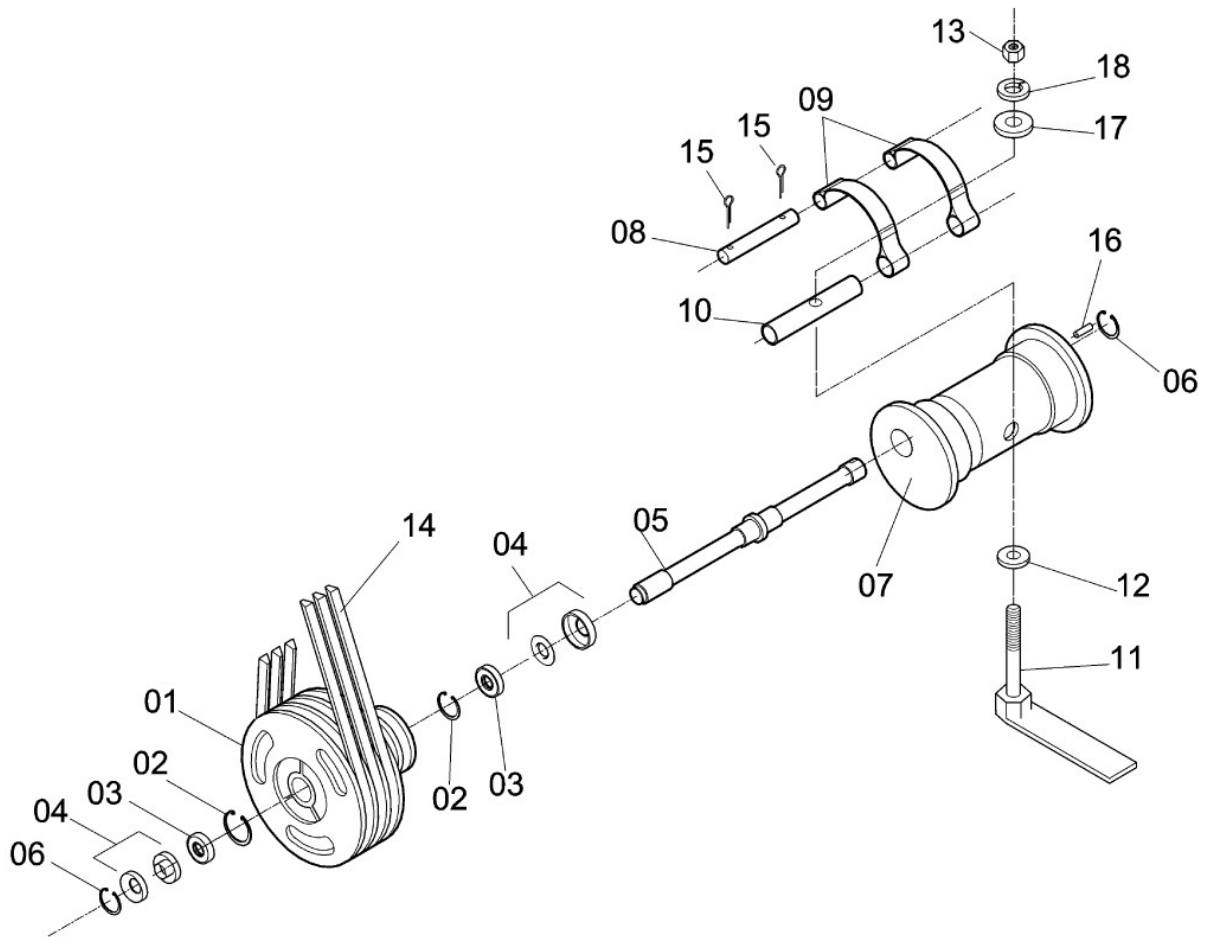


ADS-34

| Item | CODE | DESCRIPTION | Qty. |
|------|--------|-------------------------------------|------|
| 00 | 049387 | Sticker: "Jacto" - Cannon Sprayer E | 1 |

| Item | CODE | DESCRIPTION | Qty. |
|------|------|-------------|------|
| | | | |

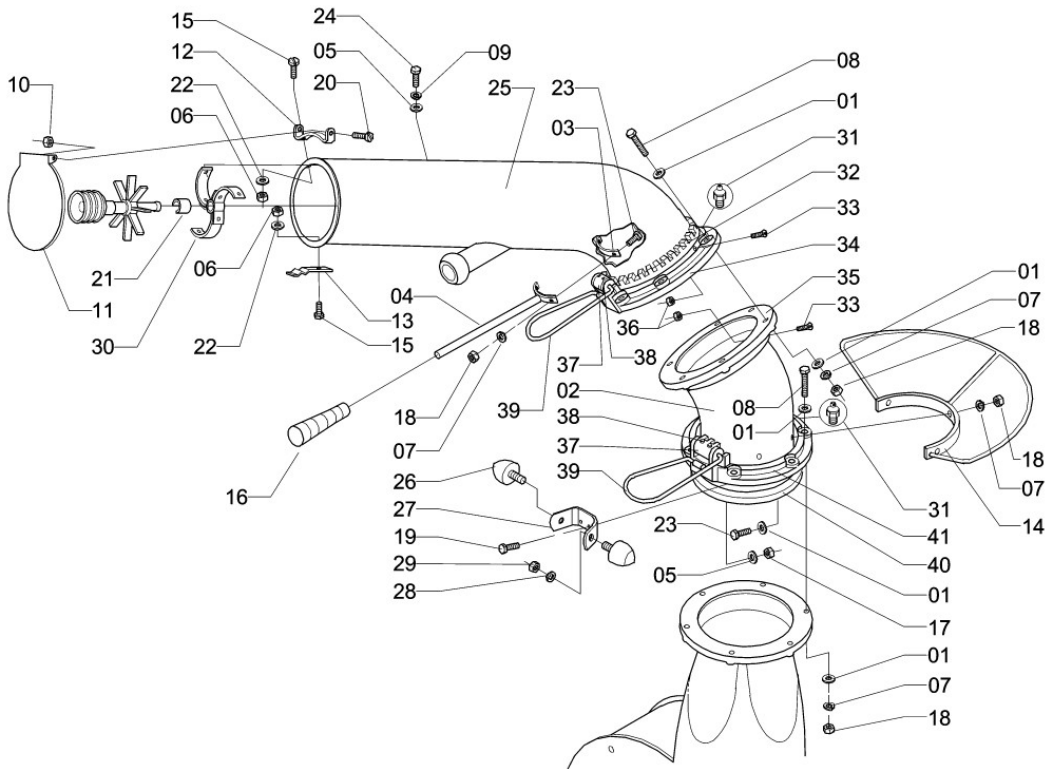
INTERMEDIATE TRANSMISSION AND COMPLEMENTS



TMV-1

| Item | CODE | DESCRIPTION | Qty. | Item | CODE | DESCRIPTION | Qty. |
|------|--------|--|------|------|------|-------------|------|
| 00 | 807370 | Intermediate transmission and complements | 1 | | | | |
| 01 | 807404 | Intermediate pulley \varnothing 297 -3A x 115-5A | 1 | | | | |
| 02 | 910174 | Snap ring for hole \varnothing 62 | 2 | | | | |
| 03 | 910182 | Fixed bearing NSK 6206 | 2 | | | | |
| 04 | 111252 | Inner and outer protector | 2 | | | | |
| 05 | 807412 | Intermediate transmission shaft | 1 | | | | |
| 06 | 910166 | Snap ring for shaft | 2 | | | | |
| 07 | 807388 | Tightener body | 1 | | | | |
| 08 | 807891 | Tightener strap shaft | 1 | | | | |
| 09 | 809301 | Tightener strap | 2 | | | | |
| 10 | 710772 | Tightening strap shaft | 1 | | | | |
| 11 | 916239 | Screw 1/2" - 13 UNC with wing | 1 | | | | |
| 12 | 916148 | Flat washer 132 x 404 x 47.5 | 1 | | | | |
| 13 | 912790 | Hex. nut 1/2" - 13 UNC | 1 | | | | |
| 14 | 907592 | Trapezoid belt A-45 | 3 | | | | |
| 15 | 910240 | Cotter pin \varnothing 3.18 x 25.4 | 2 | | | | |
| 16 | 012237 | Round key \varnothing 1/4" x 12 | 1 | | | | |
| 17 | 881227 | Flat washer 130 x 270 x 30 | 1 | | | | |
| 18 | 908582 | Lock washer 1/2" | 1 | | | | |

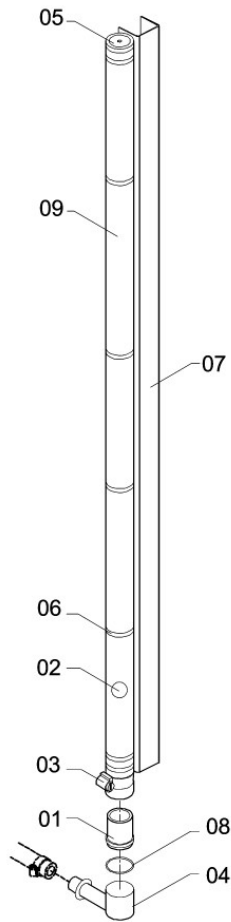
DUCT LH - UPPER



DT-8

| Item | CODE | DESCRIPTION | Qty. | Item | CODE | DESCRIPTION | Qty. |
|------|--------|-----------------------------------|------|------|---------|---|------|
| 00 | 063131 | Duct LH - upper | 1 | 25 | 877415 | Curve duct 52 x 230 - upper | 1 |
| 01 | 013433 | Flat washer | 27 | 25A | 877423 | Curve duct body 90 x 230 - upper | 1 |
| 02 | 044438 | Curve duct 52° x 230 - short | 1 | 26 | 903260 | Rubber cushion | 2 |
| 02A | 044420 | Curve duct body 52° x 230 - short | 1 | 27 | 907378 | Cushion bracket | 1 |
| 03 | 325654 | Directional arm reinforcement | 1 | 28 | 908566 | Lock washer ø 3/8" | 2 |
| 04 | 360180 | Directional arm | 1 | 29 | 908665 | Nut ø 3/8" UNF | 2 |
| 05 | 413468 | Flat washer 68 x 190 x 12 | 5 | 30 | 916254 | Atomizer support | 3 |
| 06 | 444109 | Hex. nut M5 x 0.8 | 3 | 31 | 910463 | Grease nipple 1/4" - 28 UNF | 2 |
| 07 | 519736 | Lock washer M8 | 17 | 32 | 901256 | Moving flange (upper) | 1 |
| 08 | 520726 | Hex head bolt M8 x 60 x 1.25 | 12 | 33 | 062273 | Hex. head bolt M6 | 42 |
| 09 | 521666 | Lock washer M6 | 3 | 34 | 808253 | Union flange - upper | 1 |
| 10 | 564971 | Nut M-5 x 0.8 | 2 | 35 | 877969 | Fixed flange (upper) | 1 |
| 11 | 638155 | Atomizer guard | 1 | 36 | 1150358 | HEX NUT WITH FLANGE M 6 x 1 8.8 (STEEL) | 42 |
| 12 | 638163 | Atomizer guard support | 1 | 37 | 809210 | Lock body | 2 |
| 13 | 638205 | Atomizer guard snap | 1 | 38 | 623892 | Allen screw ø 5/16" - 18 UNC x1/2" | 4 |
| 14 | 710210 | Directional handle | 1 | 39 | 810937 | Lock handle | 2 |
| 15 | 728253 | Screw M5 x 15 x 0.8 | 3 | 40 | 877944 | Moving flange (lower) | 1 |
| 16 | 800714 | Handgrip | 1 | 41 | 323279 | Union flange (lower) | 1 |
| 17 | 810689 | Hex. nut M6 x 1.00 | 2 | | | | |
| 18 | 810770 | Hex. nut M-8 x 1.25 | 17 | | | | |
| 19 | 810895 | Bolt M-6 x 30 x 1,00 | 2 | | | | |
| 20 | 811042 | Screw M-5 x 12 x 0.8 | 2 | | | | |
| 21 | 814004 | Atomizer spacer | 1 | | | | |
| 22 | 818211 | Flat washer 53 x 100 c 10 | 3 | | | | |
| 23 | 829382 | Hex head bolt M8 x 25 x 1.25 | 5 | | | | |
| 24 | 829507 | Hex. head bolt M6 x 16 x 1.00 | 3 | | | | |

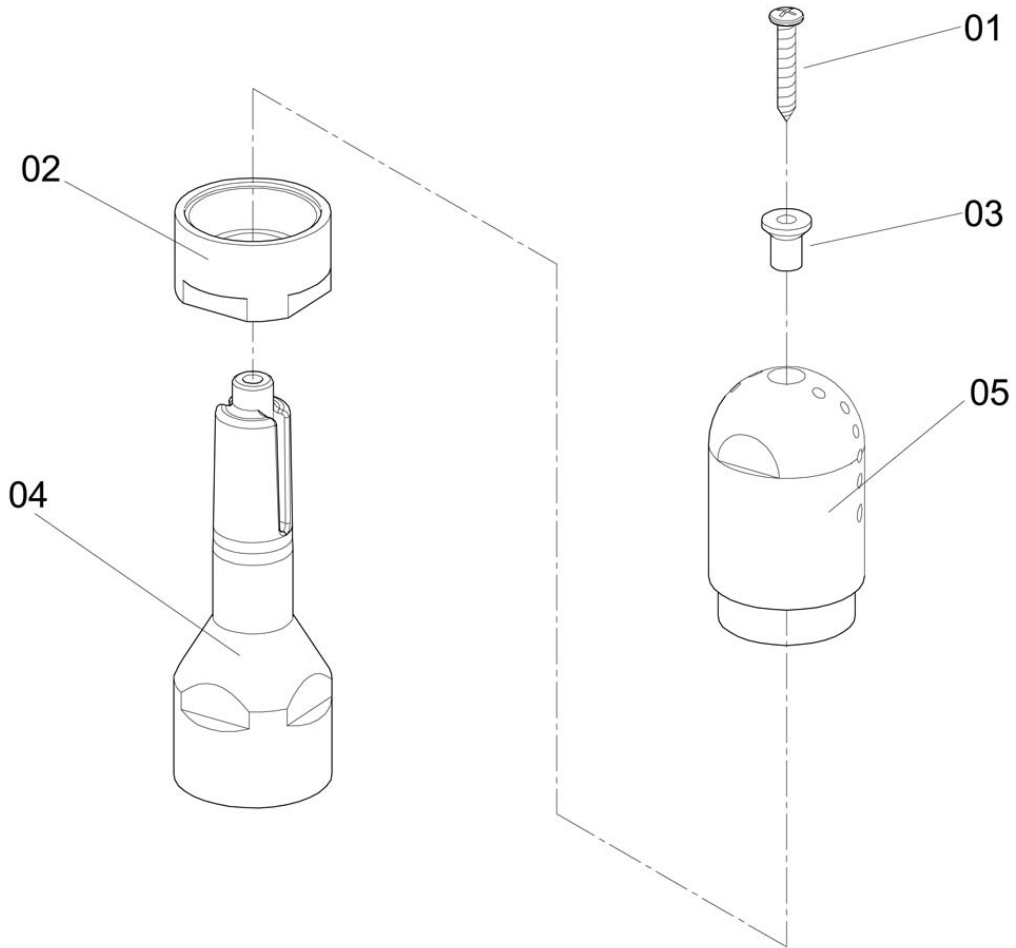
LEVEL INDICATOR NR.14



MN-26

| Item | CODE | DESCRIPTION | Qty. | Item | CODE | DESCRIPTION | Qty. |
|------|--------|--------------------------------|------|------|------|-------------|------|
| 00 | 882647 | Level indicator nr. 14 | 1 | | | | |
| 01 | 239764 | Fitting 3/4" x 22.6 | 1 | | | | |
| 02 | 324764 | Float ø 14 | 1 | | | | |
| 03 | 423814 | Clamp D22-32 - stainless steel | 1 | | | | |
| 04 | 519587 | Fitting 3/8" x 90 | 1 | | | | |
| 05 | 537381 | Plug | 1 | | | | |
| 06 | 546598 | Hose clip ø 22/25 | 8 | | | | |
| 07 | 799411 | Flow meter body | 1 | | | | |
| 08 | 901405 | Packing ring ORI-014 | 1 | | | | |
| 09 | 938340 | Hose Ø 3/4" x 840 | 1 | | | | |

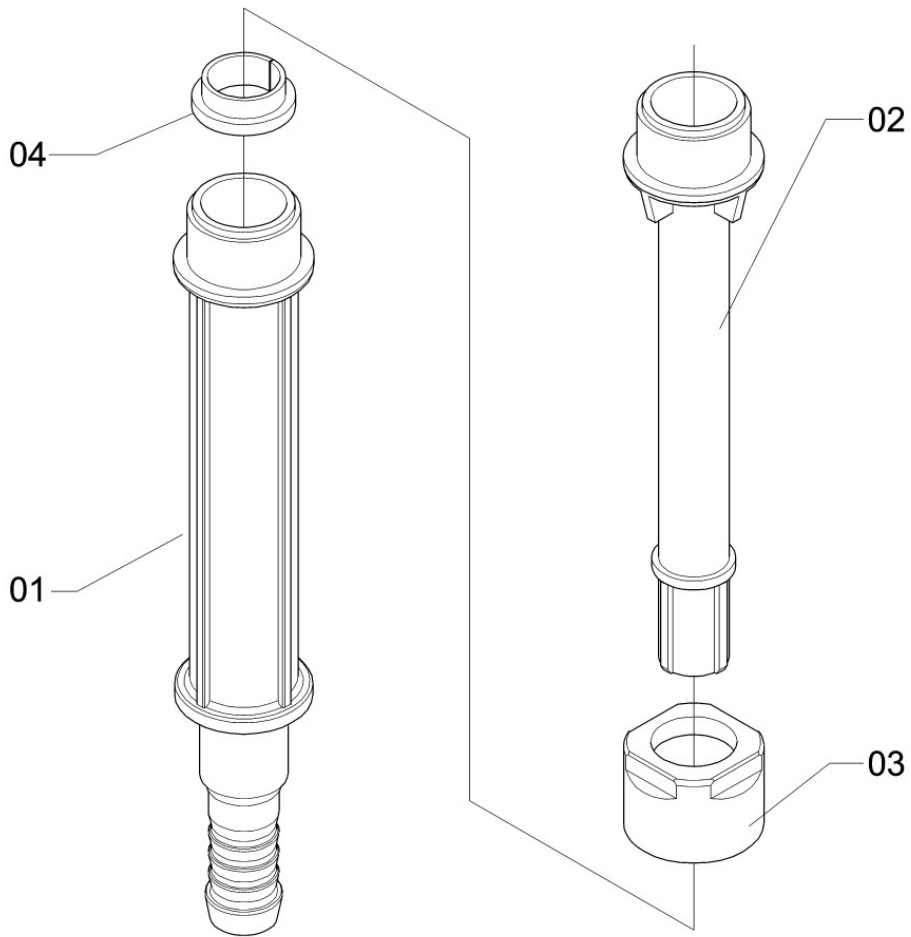
RINSE NOZZLE



KIT-75

| Item | CODE | DESCRIPTION | Qty. | Item | CODE | DESCRIPTION | Qty. |
|------|--------|---------------|------|------|------|-------------|------|
| 00 | 071944 | Rinse nozzle | 1 | | | | |
| 01 | 483628 | Bolt 2.9 x 22 | 1 | | | | |
| 02 | 059055 | Nozzle nut | 1 | | | | |
| 03 | 061119 | Bushing | 1 | | | | |
| 04 | 058909 | Nozzle core | 1 | | | | |
| 05 | 060426 | Nozzle body | 1 | | | | |

CHEMICAL CONTAINER RINSE NOZZLE ROD



KIT-76

| Item | CODE | DESCRIPTION | Qty. |
|------|--------|-------------------------------------|------|
| 00 | 088237 | Chemical container rinse nozzle rod | 1 |
| 01 | 058834 | Nozzle rod | 1 |
| 02 | 083907 | Rod extension | 1 |
| 03 | 087882 | Extension nut | 1 |
| 04 | 134221 | Lock ring | 1 |

| Item | CODE | DESCRIPTION | Qty. |
|------|------|-------------|------|
| | | | |
| | | | |
| | | | |
| | | | |