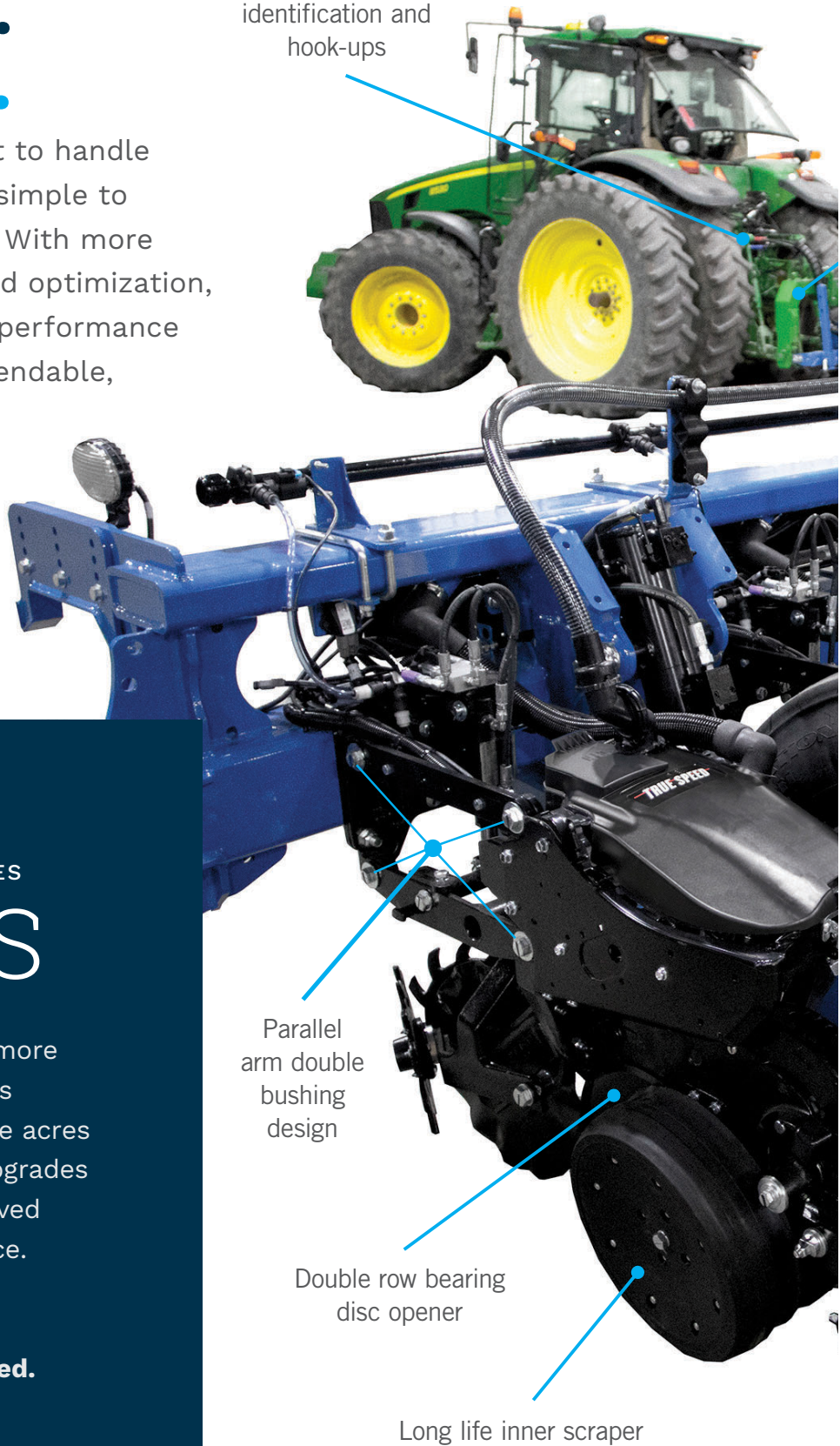


KINZE

TRUE. BLUE. Advantage.

You require durable equipment to handle tough conditions, while being simple to operate and easy to maintain. With more than 55 years of innovation and optimization, we continue to push industry performance boundaries by developing dependable, innovative, and easy to use agricultural equipment that delivers **TRUE Performance** when you need it.

Colored hydraulic handle grips for easy hose identification and hook-ups



PLANTER PERFORMANCE UPGRADES

05 SERIES

Spend less time in the shop and more time in the field with the 05 series planter enhancements. Double the acres between service intervals with upgrades to row unit wear points for improved durability and ease of maintenance.

With an enhanced seed delivery system, plant more crop types, seed sizes, and increase your speed.

Parallel arm double bushing design

Double row bearing disc opener

Long life inner scraper

KINZE®

Variable displacement
hydraulic piston
PTO pump (2 SCV's)

Available on 4905 & 4705 models only



Redesigned hydraulics for simple operation and faster lift speed

New bulk fill design to support additional crop seed types and increased rates

High efficiency, quiet vacuum fan and 1.5" vacuum hoses for easier meter removal and serviceability

Firestone low ground pressure VF tires

Available on 4905 24R30*

Available on 4905 16R30* transport tires only

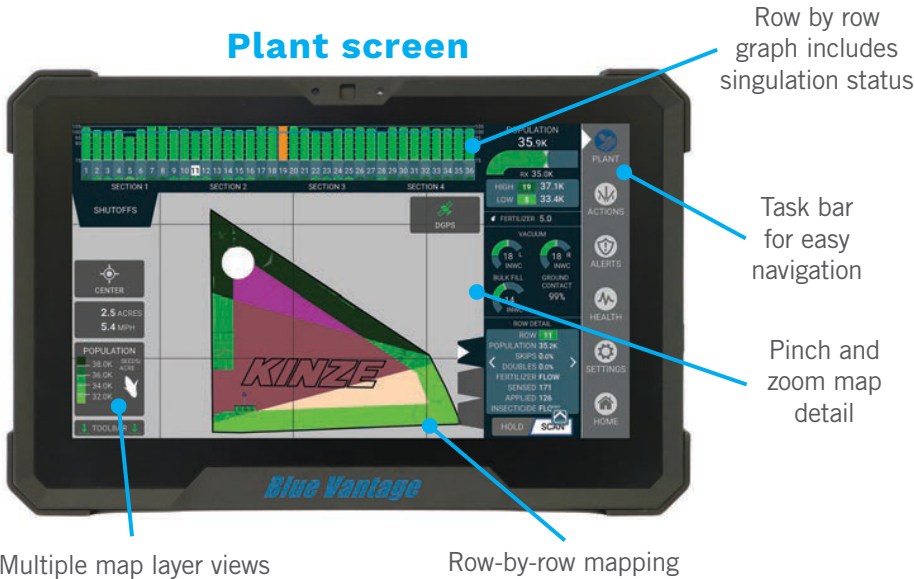
 **GENERAL
IMPLEMENT**
DISTRIBUTORS

PLANTER DISPLAY UNIT - BLUE VANTAGE

Simple TRUE control of your planter.

Blue Vantage® is the industry's only dedicated planter display that offers a simple, accurate and intuitive user experience for a smooth planting season. A plant screen layout that displays all critical planter information on one screen, factory pre-sets that take the guesswork out of set up, and built in diagnostics ensure maximum planting efficiency.

- Intuitive, rugged touch screen tablet for easy use and removal from the cab mounted docking station
- Only 3 clicks required to set up for planting on the Blue Vantage display
- Optimized user interface for all critical planting measurements on one planting screen for ease of use
- Factory pre-sets make setup easy and reduce chances of error
- Kinze designed and dedicated display provides for quick system updates, robust built-in diagnostics, intuitive training modes, and a single solution provider for answers to your questions



Blue Drive and Blue Vantage availability

Model	Row Configuration
4905	24 Row 30"
4905	16 Row 30"
4905	12 Row 30"
4705	24 Row 30"
4705	36 Row 20"
3665	16 Row 30"
3665	12 Row 30"

*Split row option

PLANTER CONTROL TECHNOLOGY - BLUE DRIVE

TRUE confidence during planting season.

Blue Drive™ is a Kinze designed electric drive system that is simple, reliable and accurate, giving you confidence during the planting season. Ethernet communication and universal module architecture allow for faster, more accurate planter performance with built-in feature expandability. System design delivers



Integrated down force screens

Control, view and change settings directly from the plant screen



True Depth map showing target gauge wheel load percentage of ground contact



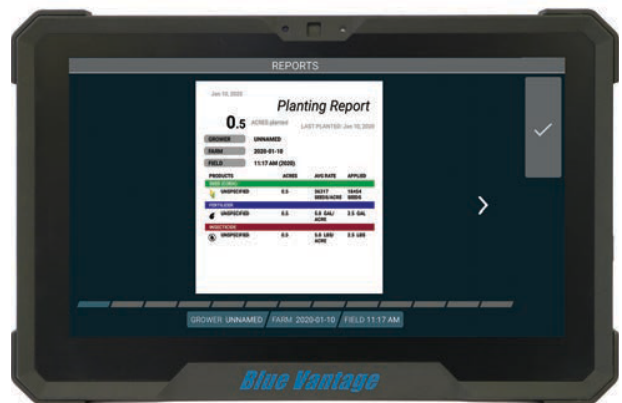
True Depth map showing applied force as planted

Task set-up



- One page field set-up with no grower, farm or field requirements to plant
- Factory presets by crop for vacuum and bulk fill

Planting reports



- Built-in field summary reports provide crop summary and all field applied maps in a printable pdf document
- No FMIS software required

- Ethernet connectivity provides reliable, faster connection and speeds for quick software updates and troubleshooting
- Universal module design for easy trouble shooting and module replacement with built in diagnostic status indicators

- Proprietary, non-ISOBUS architecture to optimize the design and experience for Kinze users
- Built with capacity for future feature additions and software upgrades for maximum cost efficiencies and ease of maintenance

HIGH SPEED PLANTING SOLUTION

TRUE SPEED

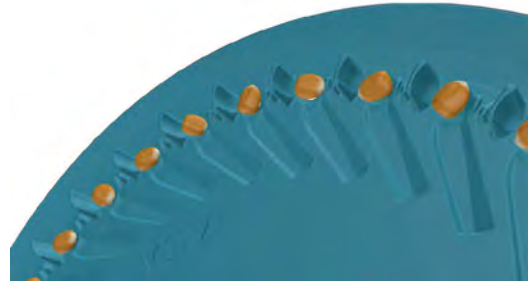
Accurately achieve results at TRUE higher speeds.

Double the acres you plant in a day* with True Speed™, a high speed electric drive meter that controls seed from meter to seed trench. The result is precise singulation and seed spacing with various seed shapes and sizes from 3-12 mph. An easy to maintain design saves you time and money, resulting in lower cost of ownership.

- Complete control of seed from disc to flighted belt and then on to the seed trench
- Low cost of ownership – industry leading wear life components
- Easy maintenance
- Self-aligning delivery tube ensures proper meter engagement
- Easy to remove disc
- Quick seed type changeover
- Meter lock-up for easy serviceability
- Tool-less meter and delivery tube allows for simple, low cost maintenance
- Only 3-clicks required to set up for planting with the Blue Vantage display
- Plants both corn and soybeans

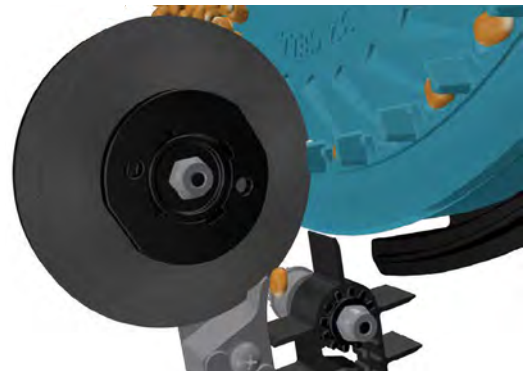
No adjust singulator

One singulator for all crop types requires no adjustment



Unique seed disc paddle design

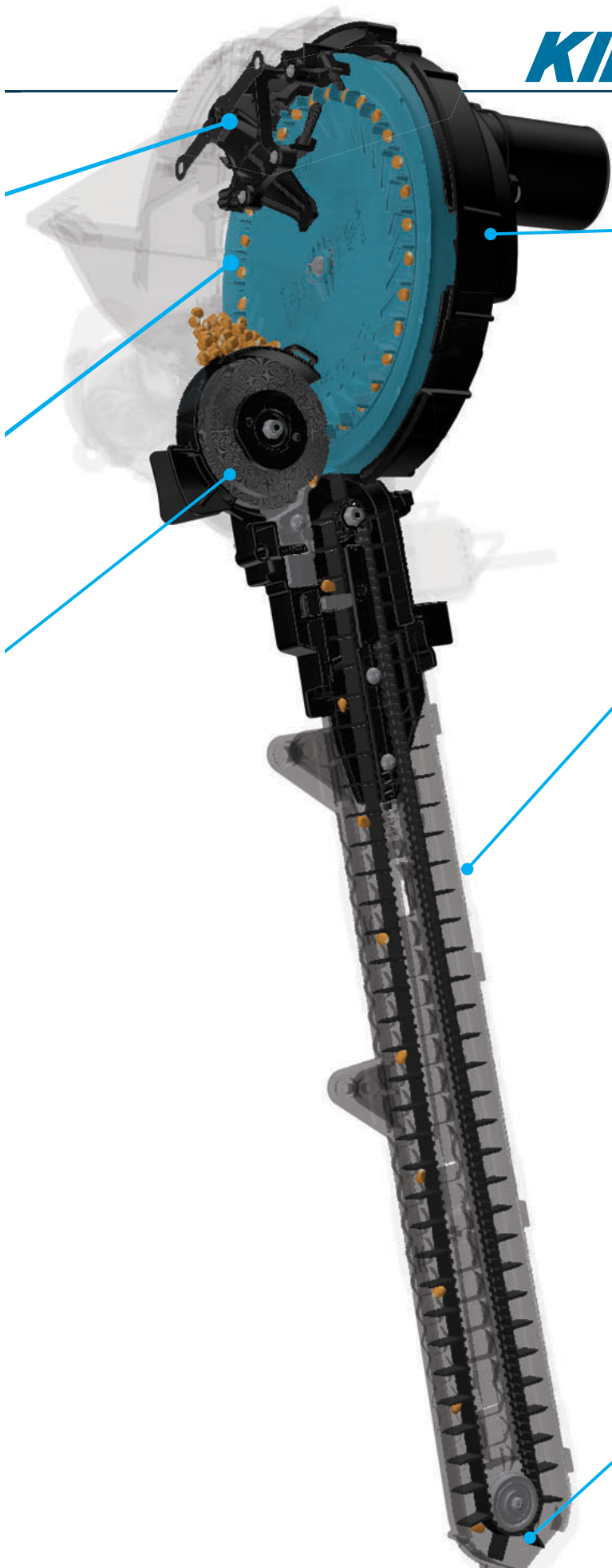
Provides positive load-in and holds the seed for precise handoff to delivery belt



Brush wheel

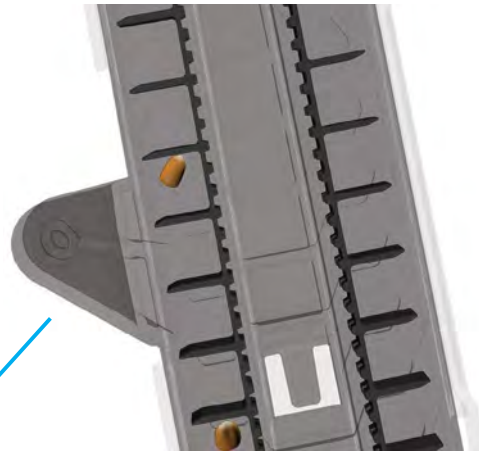
- Keeps seed in control with a positive handoff from the seed disc to the delivery belt
- Longer life and low cost replacement provides lower cost of ownership

*subject to equipment, seed type and field conditions



Unique meter orientation

Perpendicular meter orientation provides seamless seed handoff from disc to delivery tube



Kevlar reinforced belt

Increased wear life of components resulting in a lower cost of ownership and eliminates the need to remove at the end of the season



Lowest release points in the industry

For superior Coefficient of Variation (COV)

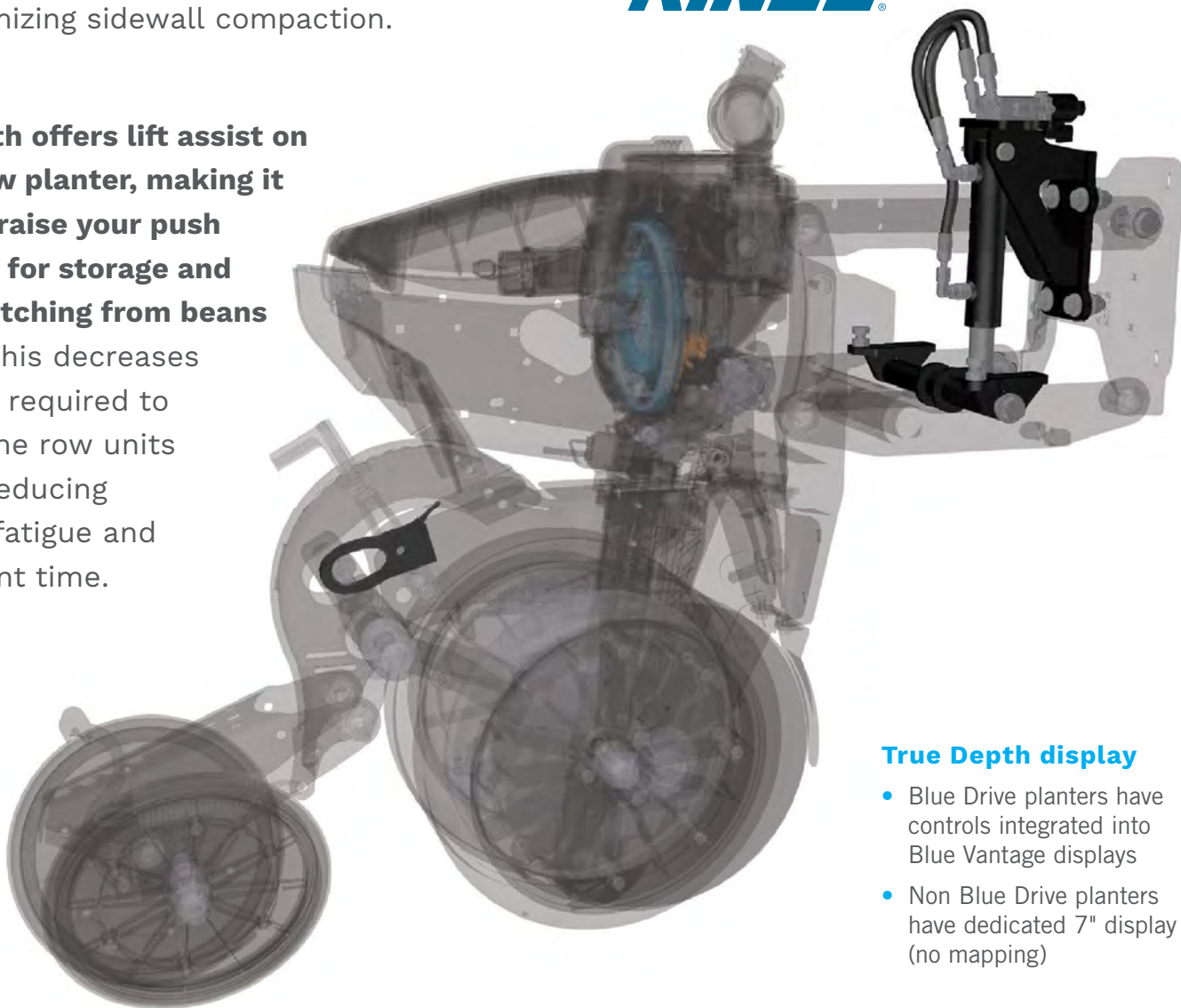
Automatically hit your TRUE target depth to increase yields.

Have peace of mind knowing you're doing everything you can to increase yields by taking the guesswork out of down force settings with **True Depth®**. During no-till or conventional till planting, True Depth automatically and instantaneously adapts down force or uplift by row, ensuring you're achieving target depth and minimizing sidewall compaction.

True Depth offers lift assist on a split row planter, making it easier to raise your push row units for storage and when switching from beans to corn. This decreases the effort required to lock-up the row units by 30%, reducing operator fatigue and adjustment time.

- Large diameter hydraulic cylinder rod is more durable in rocky field conditions and at higher planting speeds
- Overall cylinder design is rebuildable for lower cost of ownership
- Durable cast load link design with fully potted and sealed electronics are built for long term wear life
- Single valve per row allows for clean and simple operation and ease of maintenance

KINZE®



True Depth display

- Blue Drive planters have controls integrated into Blue Vantage displays
- Non Blue Drive planters have dedicated 7" display (no mapping)

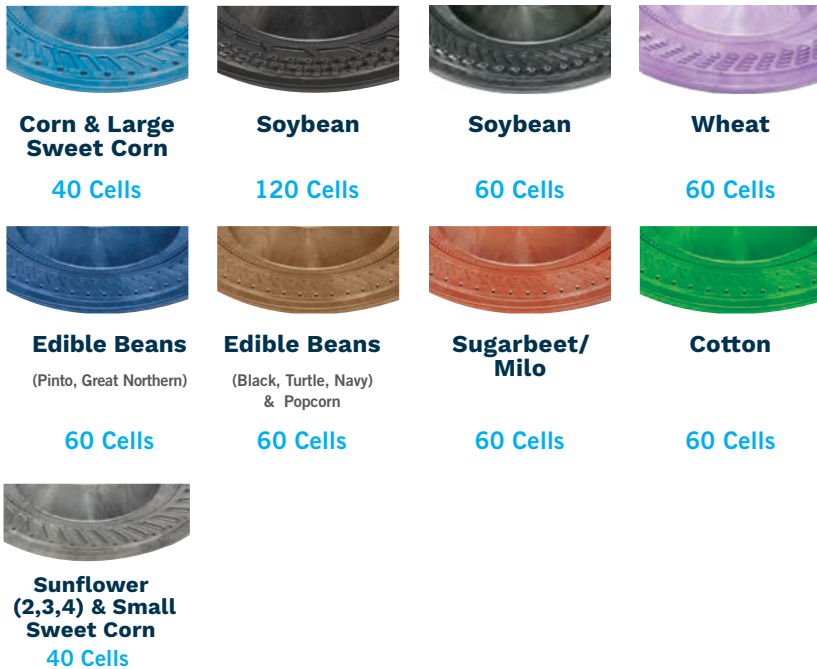
Effortlessly handle a variety of seeds at a TRUE metered rate.

Relax knowing the **True Rate®** vacuum meter can handle any size and shape seed with 99% accuracy at speeds up to 8 MPH. Simple, durable and serviceable design with only one singulator ensures maximum meter performance and low cost of ownership.

- 3 o'clock seed release for consistent seed drop regardless of planter speed or population
- One easy to adjust singulator for all crop types to dial in singulation accuracy
- Engineered polymer seal provides long wear life and ensures consistent vacuum pressure
- Tapered edge seed disc for reduced seed contact during release; improved COV, especially on slopes
- Quick crop changeover with a single button meter cover release and quarter turn quick release seed disc hub

True Rate vacuum meter seed discs

Color-coded seed discs allow you to plant different crops, seed sizes and populations.



Superior singulation

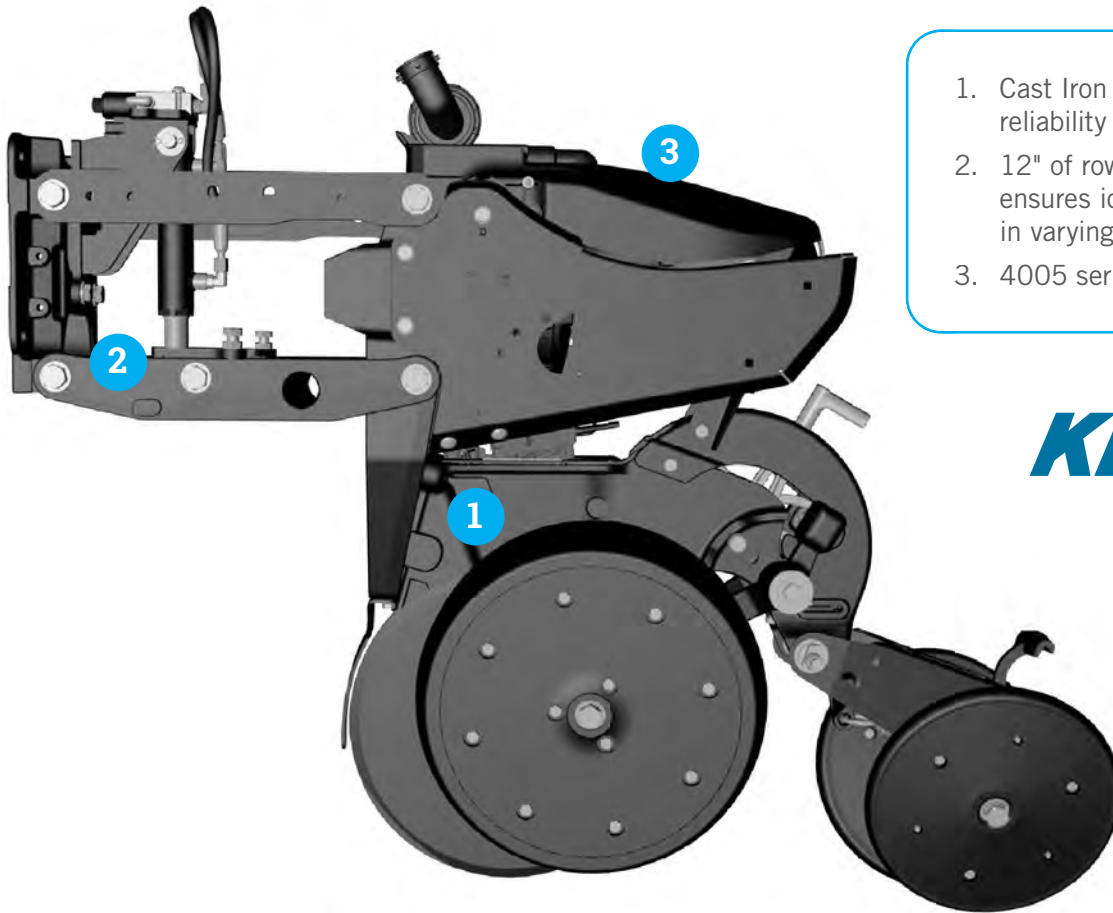
One adjustable seed singulator for all seed types and sizes



Superior loading

- » Seed pool shape promotes 100% clean out
- » Seed channel ensures every seed cell is loaded, preventing skips

4005 SERIES



1. Cast Iron shanks for greater reliability and durability
2. 12" of row unit travel ensures ideal seed depth in varying terrains
3. 4005 series mini hopper

KINZE

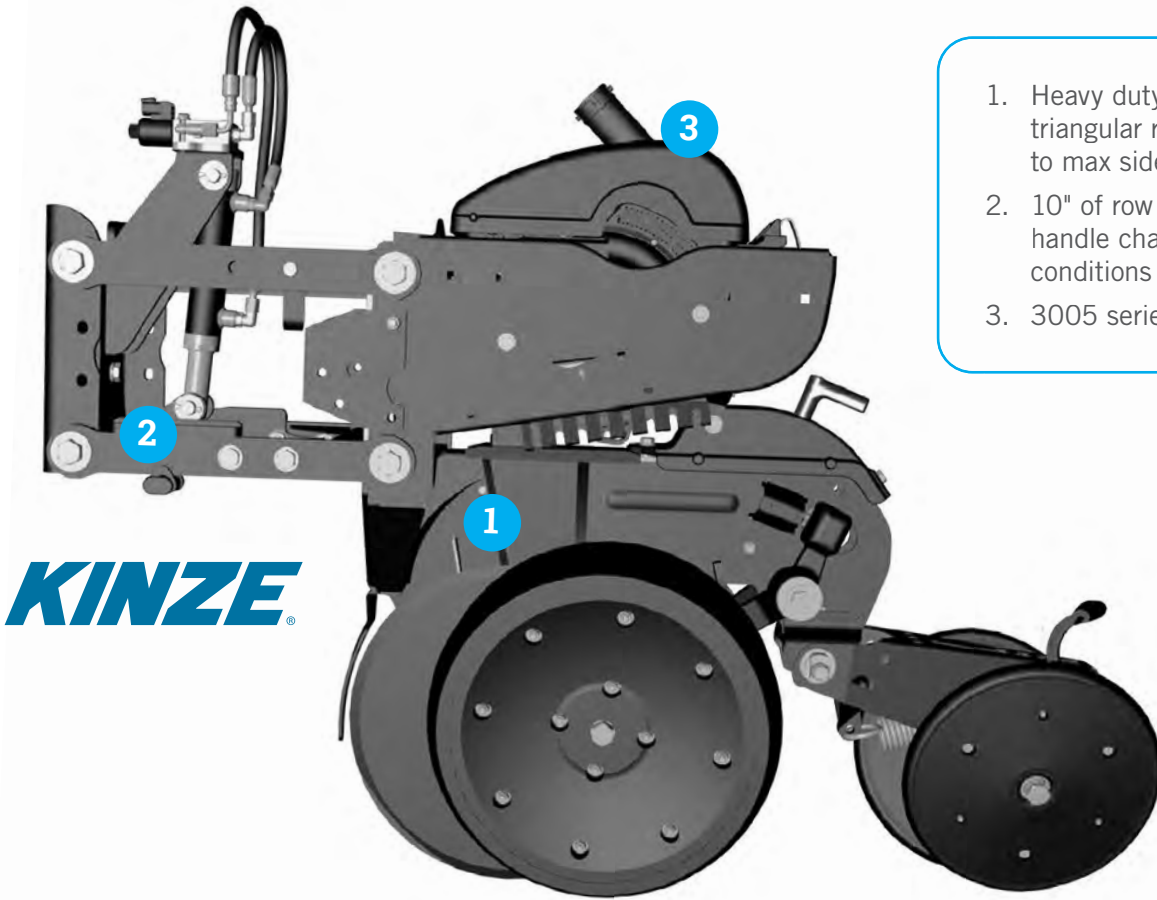
05 SERIES

Common features on both 4005 and 3005 series row units

- Hardened, replaceable large diameter double parallel arm bushings have more wear area and are oil impregnated for double the wear life and to eliminate parallel arm replacement
- Inner scraper material upgraded for double the wear life
- Load equalizing gauge wheels for uniform depth control, even in heavy residue or rugged planting conditions
- Down force options depending on configuration: True Depth hydraulic, pneumatic or springs

ROW UNITS

3005 SERIES



1. Heavy duty shanks with triangular reinforcement to max side-load strength
2. 10" of row unit travel to handle changing field conditions
3. 3005 series mini hopper

4005 Row unit hoppers



0.18 bu. True Rate bulk fill row unit mini-hopper



3.0 bu. high-capacity row unit hopper



1.9 bu. row unit hopper

3005 Row unit hoppers

- 1.9 bu row unit hopper with mechanical meter
 - 1.75 bu. row unit hopper with True Rate meter
- Insecticide and granular chemical options available.

FRONT FOLD MODEL

4905

24 ROW 30" | 16 ROW 30" | 12 ROW 30"

BLUE DRIVE | BLUE VANTAGE



The industry's most advanced, simple to operate planter comes equipped with Blue Vantage display, Blue Drive electric drive, True Speed meters and rugged, cast row units for ultimate productivity at speeds of up to 12 mph. This front fold frame has best in-class wing flex, short turning radius and is offered in multiple configurations to meet various planting needs.

- Performance optimized with Blue Drive electric drive, True Depth hydraulic down force, bulk fill seed delivery and True Speed or True Rate vacuum meters
- Cast row units capable of high speed with durable, longer wear life row unit upgrades for lower cost of ownership
- Lower tractor hydraulic requirements with variable displacement piston pump and 2 tractor SCVs
- Simple hydraulic layout and fast lift times
- Hydraulic weight transfer standard to prevent pinch row compaction
- Consistent seed depth in rolling terrain delivered by 3-section frame with 42 degrees of wing flex
- High transport clearance and patented flip axle for shorter turn radius
- Added efficiency in the field with up to 600 gallon liquid fertilizer capacity controlled by Blue Vantage

Features & options¹

True Speed meter	True Rate meter	Flip axle	Narrow transport
Cast row unit	True Depth hydraulic down force	Hydraulic weight transfer standard	Liquid fertilizer

FRONT FOLD MODEL

4705

KINZE

36 ROW 20" | 24 ROW 30"

BLUE DRIVE | BLUE VANTAGE



This high tech, simple to operate planter comes with Blue Vantage display, Blue Drive electric drive, True Rate meters and rugged, cast row units with optional True Depth hydraulic down force, for precise control over seed placement. Front mounted tires and a high clearance 3-section front fold frame with enhanced seed and fertilizer capacities, uses hydraulic weight transfer to reduce compaction and improve trash flow.

- Performance optimized with Blue Drive electric drive and optional True Depth hydraulic down force with True Rate meters
- Cast row units capable of high speed with durable, longer wear life row unit upgrades for lower cost of ownership
- Lower tractor hydraulic requirements with variable displacement piston pump and 2 tractor SCVs
- Consistent seed depth in rolling terrains delivered by 6-row center section and 26 degrees of wing flex
- Simple hydraulic layout and fast lift times
- Reduced compaction and improved residue flow from front mounted tires
- Hydraulically operated wing locks make folding process easy for superior row unit and tire clearance heights for improved road transport
- Standard 120 bu bulk fill seed capacity with hydraulic weight transfer to reduce pinch row compaction
- Added efficiency in the field with up to 600 gallon liquid fertilizer capacity controlled by Blue Vantage

Features & options¹

Cast row unit

True Depth hydraulic down force

Bulk fill

Liquid fertilizer

True Rate meter

High transport clearance

Hydraulic weight transfer standard

FRONT FOLD MODEL

3705

KINZE®

24 ROW 20" | 24 ROW 22"



The 3705 is a great value in a 24-row 20" or 22" row spacing, 2-section front fold planter – providing increased planting efficiency with minimal hydraulic requirements. With a bulk fill seed capacity of 110 bushels, 300 gallons of fertilizer, and multiple seed meter options, the 3705 will make quick work of planting your narrow row crops.

- Product durability and longer wear life from row unit upgrades for lower cost of ownership
- Cost effective low hydraulic requirement 20" and 22" configuration planter, 110 bushel bulk fill seed capacity
- 300 gallon liquid fertilizer capacity

Features & options¹

True Rate meter

Hydraulic drive

Bulk fill

Liquid fertilizer

TRUE planting performance.

Spend less time in the shop and more time in the field with the 05 series planter enhancements. Double the acres between service intervals with upgrades to row unit wear points for improved durability and ease of maintenance. **With an enhanced seed delivery system, plant more crop types, seed sizes, and increase your speed.**

Colored hydraulic handle grips for easy hose identification and hook-ups

Variable displacement hydraulic piston PTO pump (2 SCV's)
Available on 4905 & 4705 models only

Redesigned hydraulics for simple operation and faster lift speed

Parallel arm double bushing design

Double row bearing disc opener

Long life inner scraper
High speed scraper shown

Firestone low ground pressure VF tires
Available on 4905 24R30*
Available on 4905 16R30* transport tires only

New bulk fill design to support additional crop seed types and increased rates

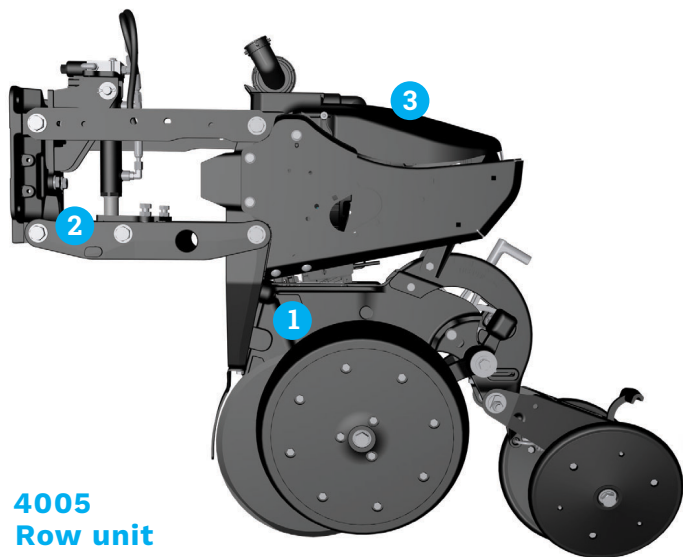
High efficiency, quiet vacuum fan and 1.5" vacuum hoses for easier meter removal and serviceability
2" hoses on 3145, 3205 and 3505 6R30"

GENERAL IMPLEMENT DISTRIBUTORS

05 SERIES

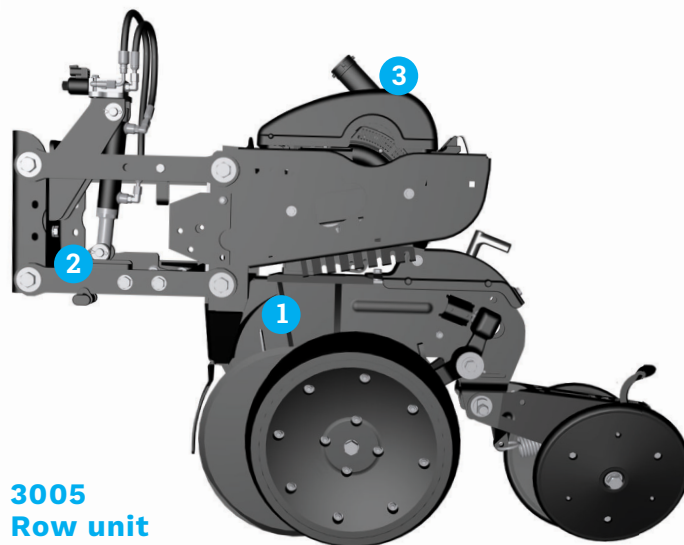
Common features on both 4005 and 3005 series row units

- Hardened, replaceable large diameter double parallel arm bushings have more wear area and are oil impregnated for double the wear life and to eliminate parallel arm replacement
- Inner scraper material upgraded for double the wear life
- Load equalizing gauge wheels for uniform depth control, even in heavy residue or rugged planting conditions
- Down force options depending on configuration: True Depth hydraulic, pneumatic or springs



4005
Row unit

1. Cast iron shanks for greater reliability and durability
2. 12" of row unit travel ensures ideal seed depth in varying terrains
3. 4005 series mini hopper



3005
Row unit

1. Heavy duty shanks with triangular reinforcement to max side-load strength
2. 10" of row unit travel to handle changing field conditions
3. 3005 series mini hopper

4005 Row unit hoppers



0.18 bu. True Rate bulk fill row unit mini-hopper



3.0 bu. high-capacity row unit hopper



1.9 bu. row unit hopper

3005 Row unit hoppers

- 1.9 bu row unit hopper with mechanical meter
- 1.75 bu. row unit hopper with True Rate meter

Insecticide and granular chemical options available.