

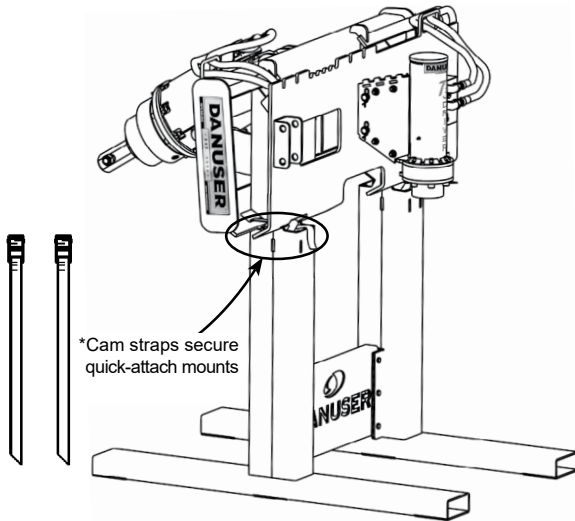
## DISPLAY STANDS PRICE SHEET

These items are net priced (no discount).

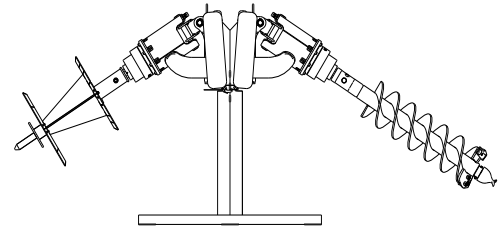
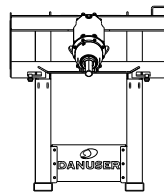
**⚠ WARNING** This product can expose you to chemicals known to the State of California to cause cancer and birth defects or other reproductive harm. For more information go to [www.P65Warnings.ca.gov/product](http://www.P65Warnings.ca.gov/product).

**NOTE:** Display stands do not include attachments, mounts, augers, or accessories.

### SKID-STEER DISPLAY STAND

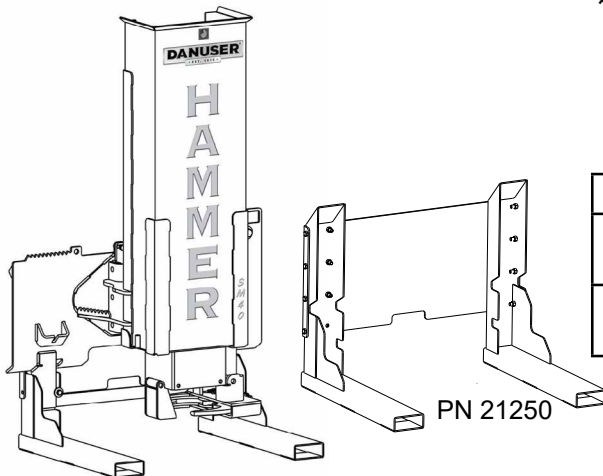


PN	DESCRIPTION	WT.	NET PRICE
20029	<b>Skid-Steer Display Stand</b> Works with Danuser auger systems and T3 Driver. <b>Includes</b> two cam straps* to secure mounts.	176	\$236.22



\*Cam straps secure two mounts together on stand, or may be used to secure a single mount

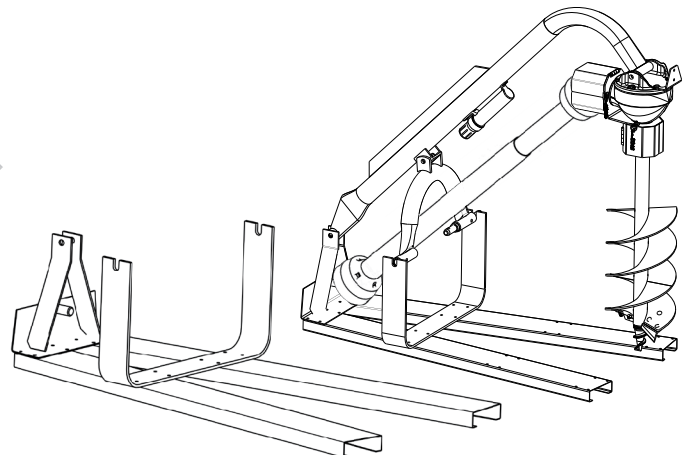
### HAMMER DISPLAY STAND



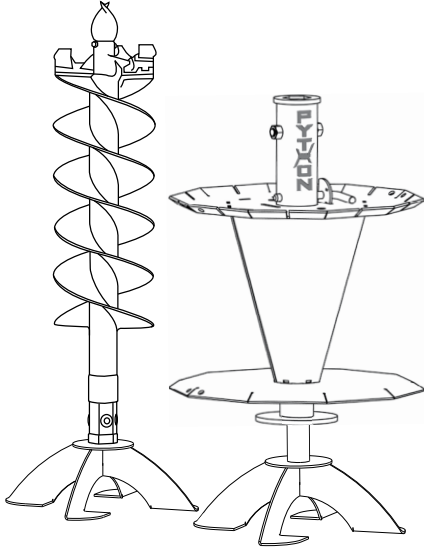
PN	DESCRIPTION	WT.	NET PRICE
21250	<b>SM40, LM40, &amp; CB40 Hammer Display Stand</b>	135	\$236.22
21260	<b>EM40 Hammer Display Stand</b> (not shown)	140	\$275.59

### 3-POINT DIGGER DISPLAY STAND

PN	DESCRIPTION	WT.	NETPRICE
6083	<b>3-Point Digger Display Stand</b> For dealer display only. Does not assist in hooking up or disconnecting digger to or from tractor.	72	\$118.11

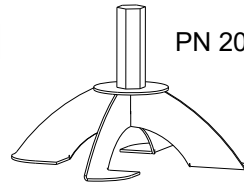


## AUGER DISPLAY STAND

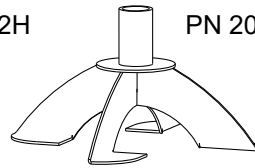


PN	DESCRIPTION	WT.	NET PRICE
20021-2H	2" Hex Auger Display Stand	12	\$39.37
20021-256R	2-9/16" Round Auger Display Stand	12	\$39.37
*20021-2R	2" Round Auger Display Stand	12	\$39.37

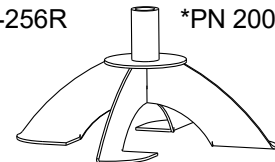
\*May be used with Python Wire Winder.



PN 20021-2H

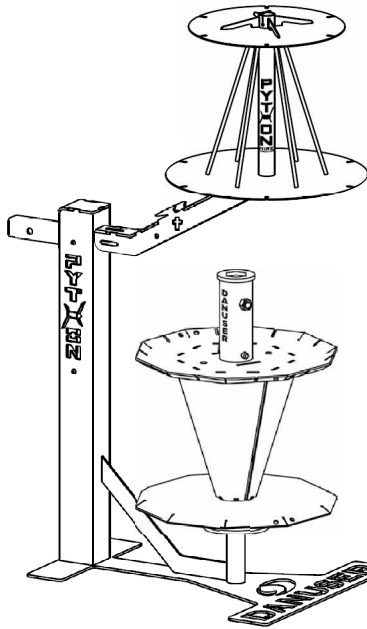


PN 20021-256R



\*PN 20021-2R

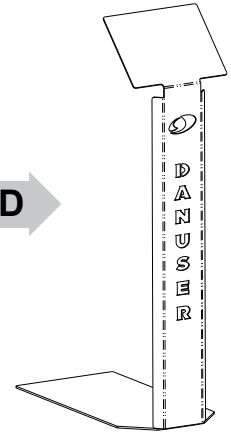
## PYTHON DISPLAY STAND



PN	DESCRIPTION	WT.	NET PRICE
193000	<b>Python Display Stand</b> A single stand mounts both Python Wire Winder and Python Wire Unroller.	65	\$165.10

## PRODUCT INFORMATIONAL DISPLAY STAND

PN	DESCRIPTION	WT.	NETPRICE
20192	<b>Product Informational Display Stand</b> Used for displaying product informational sheets.	28	\$52.07



## HAMMER STRIKE PLATE DISPLAY STAND

PN	DESCRIPTION	WT.	NET PRICE
179180	<b>Strike Plate Display Stand</b> Displays up to six Hammer strike plates. May be mounted on side of Hammer.	36	\$127.00

