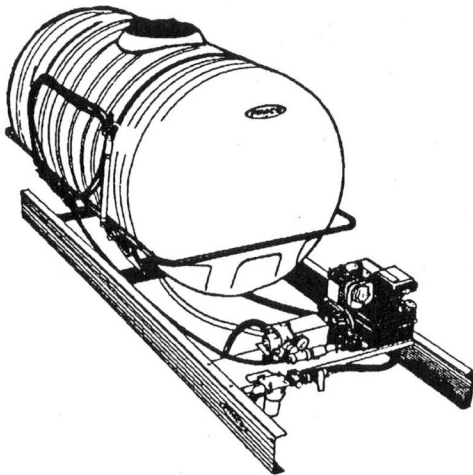


Model No. 9-300
200 & 300 Gallon Skid Sprayer
 ASSEMBLY / OPERATION INSTRUCTIONS / PARTS



Part number and descriptions can be obtained from the illustrated parts list section of this manual. Whenever you need parts or service, contact your distributor / dealer first. For warranty work always take your original sales slip, or other evidence of purchase date, to your distributor / dealer.

TECHNICAL SPECIFICATIONS

- 300 Gallon Skid and Tank Assembly
- 5 Horse Power Recoil Start Engine
- 8 Roller Cast Iron Pump
- Pressure Relief Valve With Gauge
- Hand Gun and 25 Foot Handgun Hose

GENERAL INFORMATION

The purpose of this manual is to assist you in operating your sprayer. Please read it carefully as it furnishes information which will help you operate and maintain your sprayer.

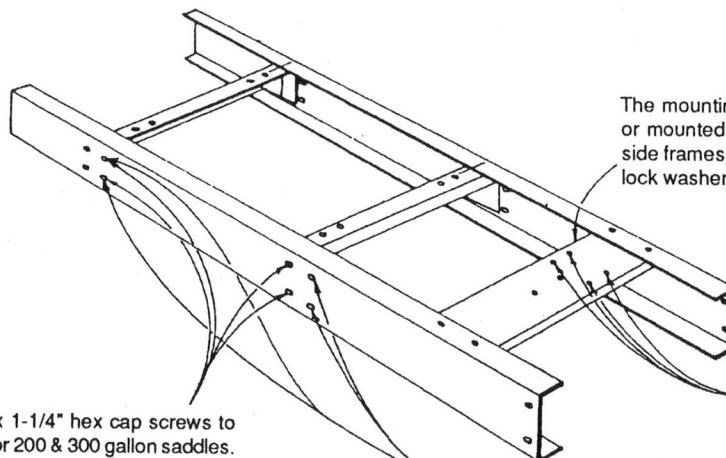
WARRANTY / PARTS / SERVICE

Your authorized dealer is the best source of replacement parts and service. To obtain prompt, efficient service, always remember the following information.

1. Correct part description and part number.
2. Model Number of your sprayer.
3. Serial Number of your sprayer.

ASSEMBLY INSTRUCTIONS

1. Read through the entire assembly instructions before starting. Do not tighten the nuts and bolts until all parts are in place. Saw horses or some other kind of stand may be used as a work base for easier assembly, but be sure that the footing is secure so that the unit will not fall from the stand, which could cause damage and/or injury.
2. Bolt the parts together as shown on the drawing. Note the position of the holes in the cross members as illustrated.
3. Mount the saddle to the cross members using (4) 1/2" x 1-1/4" hex cap screws, lock washers, and hex nuts.



The mounting plate may be attached as shown or mounted with the channel legs on top of the side frames. Use 5/16" x 1-1/2" hex cap screws, lock washers and hex nuts to hold it in place.

Engine Mounting Holes

Use these holes and 1/2" x 1-1/4" hex cap screws to mount the cross members for 200 & 300 gallon saddles. The horizontal leg of the angles should point towards each other as shown.

Use these holes and 1/2" x 1-1/4" hex cap screws to mount the cross members for 400 & 500 gallon saddles. The horizontal leg of the angles should point away from each other which would be opposite of that shown.



by

