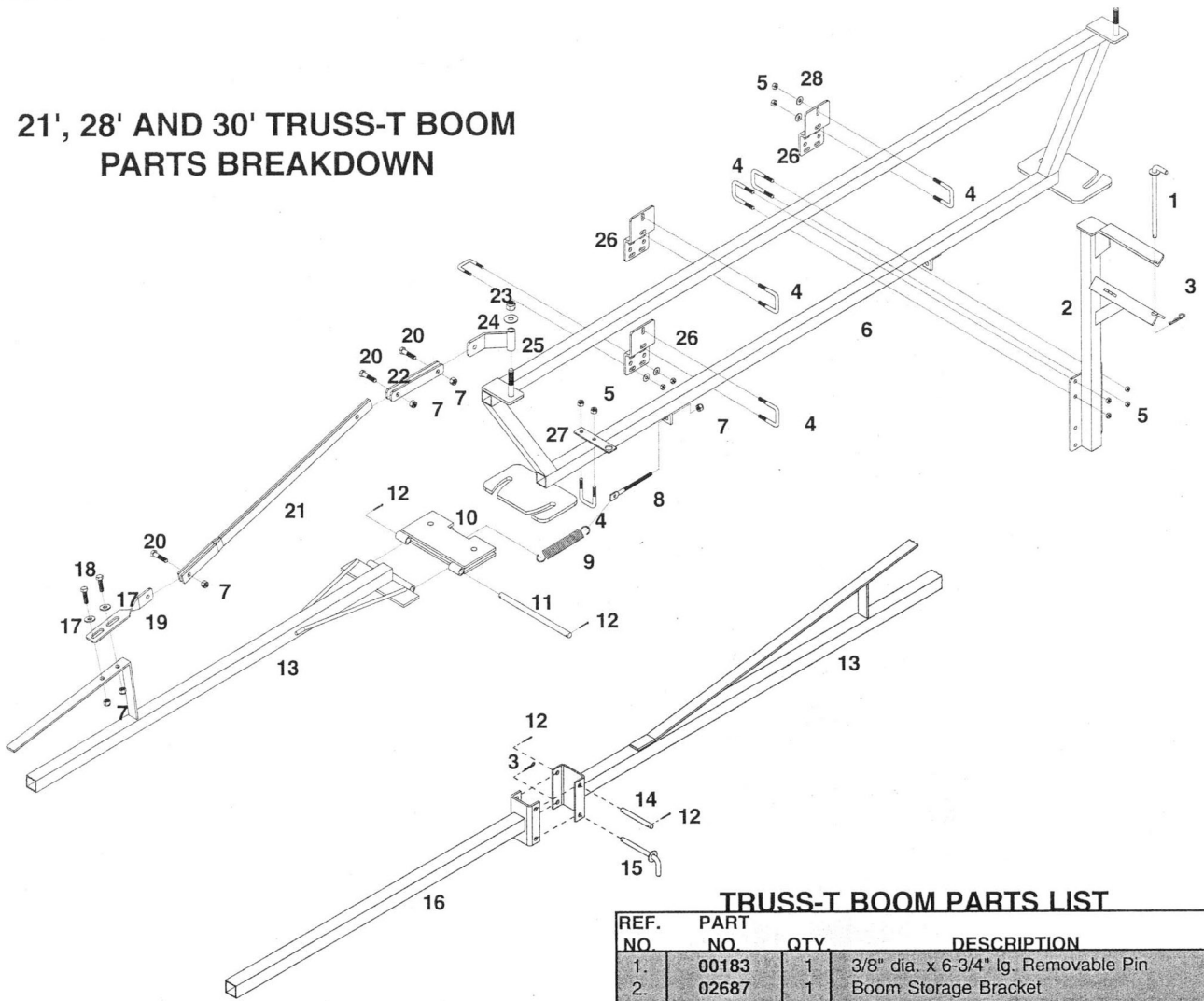
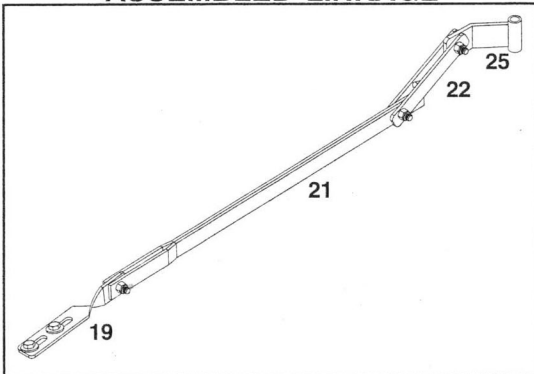


# 21', 28' AND 30' TRUSS-T BOOM PARTS BREAKDOWN



## ASSEMBLED LINKAGE



## TRUSS-T BOOM PARTS LIST

REF. NO.	PART NO.	QTY	DESCRIPTION
1.	00183	1	3/8" dia. x 6-3/4" lg. Removable Pin
2.	02687	1	Boom Storage Bracket
3.	00182	3	1/8" Small Hair Pin
4.	00909	8	5/16"-18 UNC x 1-1/4" Square U-Bolt
5.	02802	16	5/16"-18 UNC Nylon Insert Locknut
6.	02680	1	Center Section (Truss-T)
7.	02592	12	3/8"-16 UNC Nylon Insert Locknut
8.	00357	2	3/8"-16 UNC x 4-1/2" Tension Bolt
9.	00180	2	Break-Away Spring
-	5098	2	21' Boom Wing with Hinge
10.	02679	1	Boom Wing Hinge
11.	00168	1	1/2" dia. x 8-3/4" lg. Hinge Pin
12.	00009	2	1/8" x 1" Cotter Pin
13.	02681	1	Boom Wing (Truss-T)
12.	00009	4	1/8" x 1" Cotter Pin
14.	00863	2	3/8" dia. x 3-1/2" lg. Hinge Pin
15.	00199	2	3/8" dia. x 4-1/2" lg. Removeable Pin
16.	02682	2	Boom Wing Extension (28 ft.)
-	02751	2	Boom Wing Extension (30 ft.)
17.	00059	4	3/8" Flatwasher
18.	00523	4	3/8"-16 UNC x 1-1/4" Hex Head Bolt
19.	02686	2	Linkage Mount
20.	00914	6	3/8"-16 UNC x 1-1/2" Hex Head Bolt
21.	02683	2	Long Knee Action Linkage
22.	02684	2	Short Linkage
23.	02178	2	1/2"-13 UNC Nylon Insert Locknut
24.	00085	2	1/2" Flatwasher
25.	02685	2	Linkage Pivot Arm
26.	02678	4	Boom Mounting Plate
27.	04295	2	Nozzle Extension Plate
28.	00004	8	5/16" Flatwasher