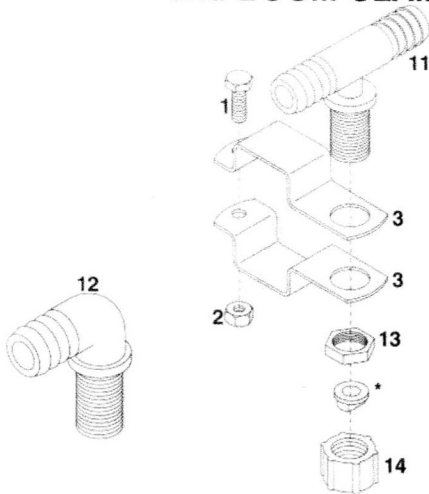


CONVENTIONAL NOZZLES and BOOM CLAMPS



1-1/4" BOOM CLAMP PARTS LIST

REF. NO.	PART NO.	DESCRIPTION
-	B11 114	1-1/4" Boom Clamp Assembly
1.	00068	1/4"-20UNC x 3/4" Hex Hd. Bolt
2.	00062	1/2-20UNC Hex Nut
3.	00337	1-1/4" Boom Clamp
-	00338	1" Boom Clamp

1/2" NOZZLE PARTS LIST

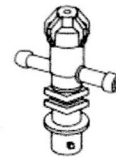
REF. NO.	PART NO.	DESCRIPTION
11.	NTL12	1/2" Nozzle Tee
12.	NTT12	1/2" Nozzle elbow
13.	B12	Nut
*	---	Tip (specify tip size) (not included)
14.	8027	11/16" FPS Cap

Please order replacement parts by **PART NO.** and **DESCRIPTION.**

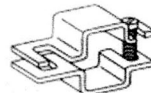
NO DRIP NOZZLE & CLAMP



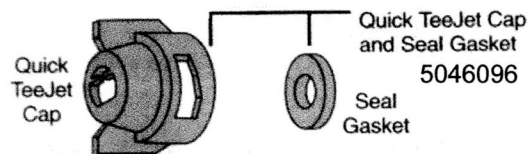
5056086 L Body



5056089 T body



5272165 1-1/4' square clamp
5272162 1-1/2" square clamp



Quick TeeJet Cap

Quick TeeJet Cap and Seal Gasket
5046096

Seal Gasket