

AUGERS

TRUCK AUGER

Mounts on any truck bed. 4" diameter in 11' or 16' lengths. Eliminate Spillage. End Scooping.



UTILITY AUGER

4", 6", or 8" diameter in standard lengths to 34'. Fast, Convenient, Economical. For use anywhere grain or feed needs to be moved.



SWING-AWAY HOPPER

Fits most brands of 6", 8", and 10" augers. Electric or hydraulic power option.



PORTABLE AUGERS



Engineered for safety, dependability, and efficiency. 6", 8", and 10" diameters in standard lengths to 81'. PTO, electric, or gas power. Accessories and options available.

MY-D HAND

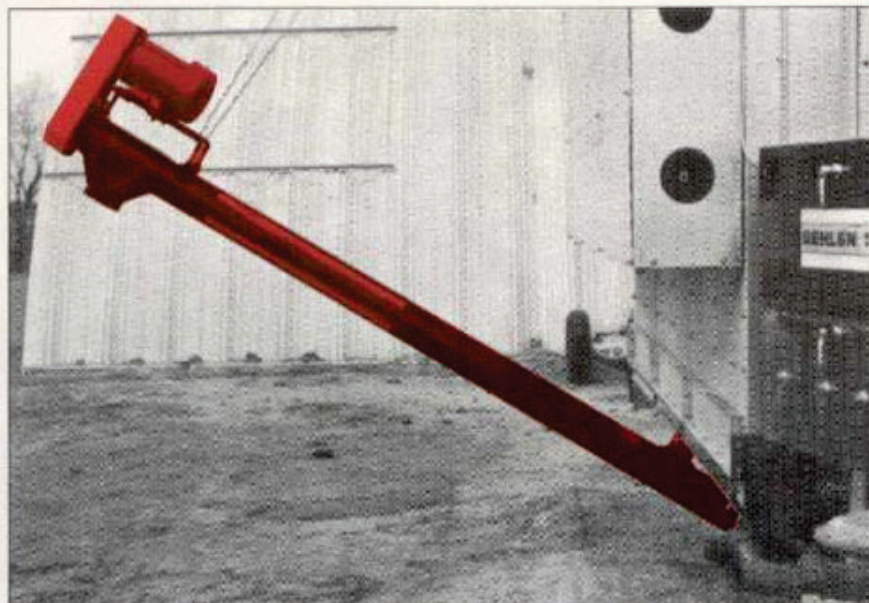


**GENERAL
IMPLEMENT**
DISTRIBUTORS

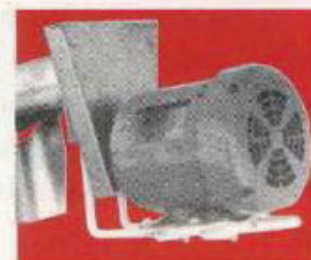
AUGERS

UTILITY AUGERS

convenient, fast, economical grain and feed handling



6" and 8" Electric Motor Mounts allow quick adjustment of drive belt. Safety belt guard included.



4" Electric Motor Mount is designed to allow motor to be mounted above or below the tube as required.

My-D Han-D utility augers come in handy on so many occasions: at bins, in the feedlot, around the dairy barn, at feedmills and elevators.

Move them where they're needed or permanently install them in your storage or grain drying operation.

The 4-inch model can easily be carried from location to location. Operates horizontally, or at any angle. Tube is galvanized. Head bearing is a pre-lubricated ball bearing. Motor mount, truck stand and intake control included. Standard lengths 11 and 16 feet.

You can choose from several standard lengths in our six-inch and eight-inch models. They come complete with band-on safety cages with regreaseable bronze bushings. Tubes have baked-on enamel finish to resist corrosion. Extensions are available for all My-D Han-D utility augers.

Utility Auger Capacities

	Bushels per hour	
	horizontal	45° angle
4" diameter	up to 700	up to 350
6" diameter	up to 1750	up to 1000
8" diameter	up to 3000	up to 2000

Utility Auger Power Requirements

4" models	H.P.	8" models	
11'	1/4	12'	1 1/2
16'	3/4	17'	2
		22'	3
		27'	5
		27' & 34'	5

Specifications subject to change without notice. For each additional 10 feet of length: add .4 h.p., for 4" models, 1 h.p. for 6" models, and 2 h.p. for 8" models.

Capacities and horsepowers are for dry grain and can vary with conditions.

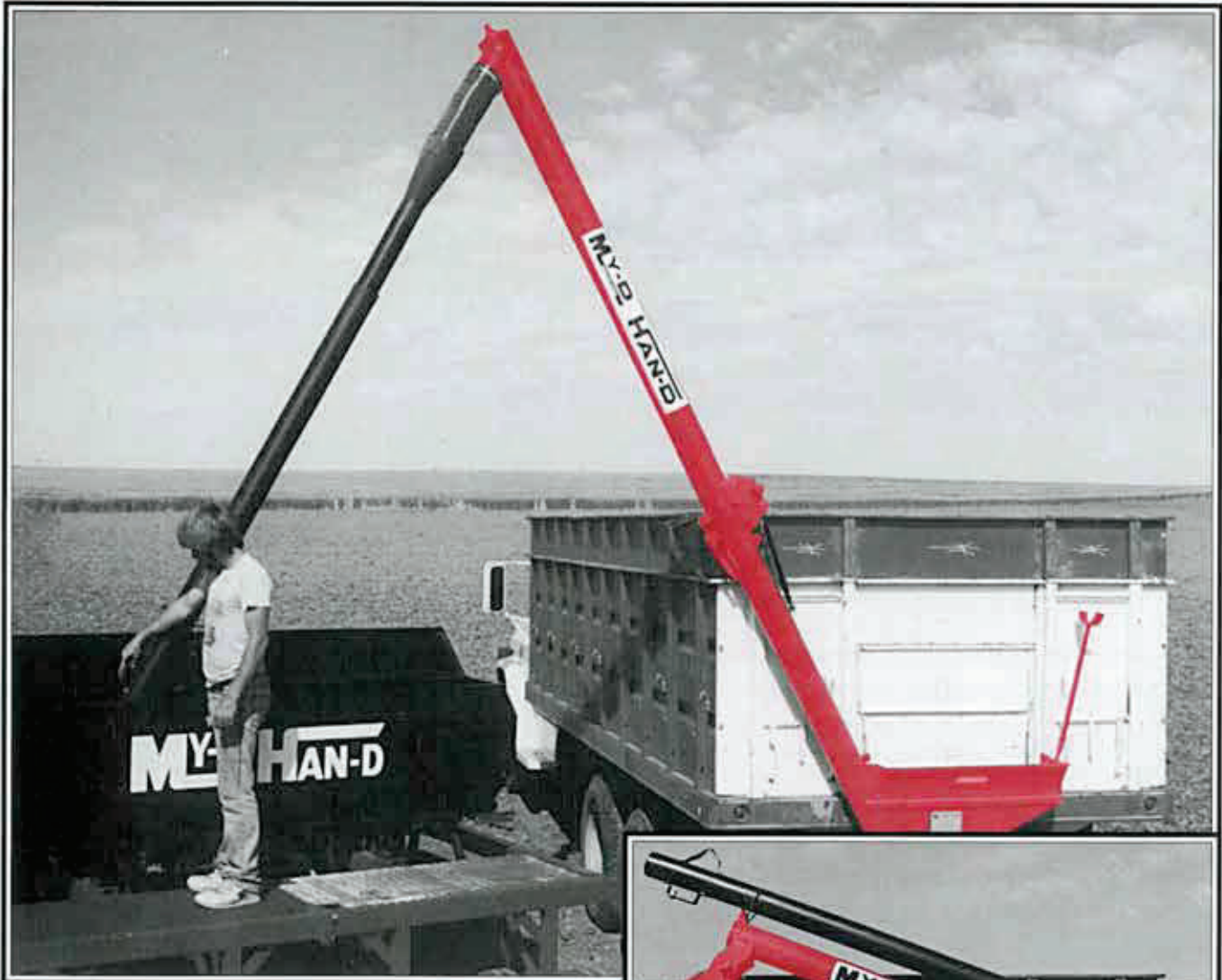
MY-D HAN-D

AUGERS

MY-D HAN-D

-DODGE CITY, KANSAS

HYDRAULIC POWERED TAIL GATE AUGER



- Easy Load Tarping
- Dependable & Positive Hydraulic Power
- Large 6" Auger
- Optional Brush Auger Flighting for Delicate Grains

AUGERS



The unit is mounted completely on the exterior of the truck to allow for full tarping of the load.

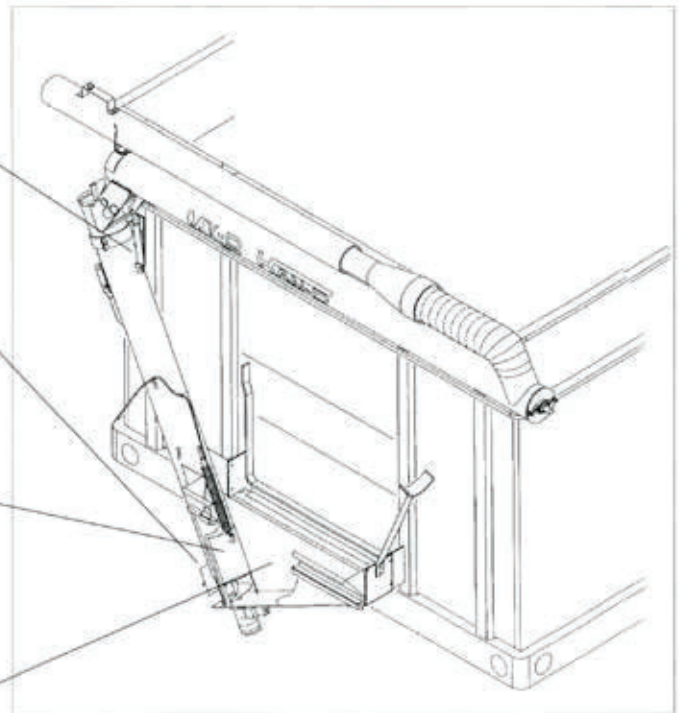
The 12-volt control switch that controls the hydraulic solenoid switch is mounted on the end of the telescoping downspout.

Gas filled assist cylinder for easier raising and lowering of the top auger extension.
No dangerous springs to corrode or break!

Handy clean-out door for emptying the hopper.

Slide gate for regulation of grain flow can also be closed from the drill to allow the auger to empty before shutting the unit off.

Flared receiving hopper to allow installation without modifications to most truck-bed gates!



Minimum hydraulic requirements: 8 GPM @ 1200 P.S.I.

Easy mounting with only two bolts that secure the auger assembly to the back of the truck. No pins to work loose or allow the auger assembly to vibrate while in transit.

MY-D HAND

AUGERS



600 SERIES PORTABLE AUGER

PTO GAS ELECT.

Call for Pricing

				WEIGHT
913483	27'	Portable Auger	2,545.00	578
		w/ Discharge Spout		
		Spout, 3' Flex		
913491	34'	Portable Auger	2,765.00	619
		w/ Discharge Spout		
		Spout, 3' Flex		
913509	41'	Portable Auger	3,040.00	823
		w/ Discharge Spout		
		Spout, 3' Flex		
913517	46'	Portable Auger	3,470.00	993
		w/ Discharge Spout		
		Spout, 3' Flex		
913525	53'	Portable Auger	4,030.00	1142
		w/ Discharge Spout		
		Spout, 3' Flex		
913533	60'	Portable Auger	5,230.00	1333
		w/ Discharge Spout		
		Spout, 3' Flex		

711846	PTO Drive Kit - 27'	Call for Pricing
711838	PTO Drive Kit - 34', 41', 60'	
711739	PTO Drive Kit - 46', 53'	
711747	Hydraulic Drive Kit - 27' 34' 41' 46' 53'	
711655	Gas Engine Kit	
711572	Electric Motor Kit	
711887	600 Discharge Spout	
031096	600 Rubber Flex Hose	per ft.
551788	600 Hose Clamp	
904052	600 & 800 Flex Hopper	
904060	Whopper Hopper	
760694	Hydraulic Winch Adapter Kit	

TIRES NOT INCLUDED



Prices and Specifications may be subject to change without notice. Prices do not include shipping or setup.

AUGERS



800 SERIES PORTABLE AUGER

			Weight	PTO	GAS	ELECT.
913400	27' Portable Auger	3,040.00	628			
	w/ Discharge Spout					
	Spout, 3' Flex					Call for Pricing
913418	34' Portable Auger	3,360.00	794			
	w/ Discharge Spout					
	Spout, 3' Flex					
913426	41' Portable Auger	3,705.00	1003			
	w/ Discharge Spout					
	Spout, 3' Flex					
913434	46' Portable Auger	4,355.00	1139			
	w/ Discharge Spout					
	Spout, 3' Flex					
913442	53' Portable Auger	5,120.00	1308			
	w/ Discharge Spout					
	Spout, 3' Flex					
913459	60' Portable Auger	6,090.00	1598			
	w/ Discharge Spout					
	Spout, 3' Flex					
913467	65' Portable Auger	6,460.00	1722			
	w/ Discharge Spout					
	Spout, 3' Flex					
913475	72' Portable Auger	6,435.00	1913			
	w/ Discharge Spout					
	Spout, 3' Flex					

711812	PTO Drive Kit 27'	Call for Pricing	Weight	112
711788	PTO Drive Kit 34' 41' 60'			112
711762	PTO Drive Kit 46' 53' 65' 72'			131
711804	Hydraulic Drive Kit 27' 34' 41' 46' 53'			
711689	Gas Engine Kit 27' 34' 41'			111
711614	Electric Motor Kit			73
711895	800 Discharge Spout			7
	800 Rubber Flex Hose	per ft.		
	800 Hose Clamp			
904052	600 & 800 Flex Hopper			16
904060	Whopper Hopper			20
760777	Hydraulic Winch Adapter Kit			
760744	Hydraulic Swing Away Hopper			400
760751	Electric Self-powered Swing Away			400
760769	Electric Independent Hopper			375
760843	Hydraulic Independent Hopper			
760736	Transport Carrier for Swing Away 27-60			
760876	Transport Carrier for Swing Away 65-72			
760893	Swing Away Boot only			

TIRES NOT INCLUDED



AUGERS



1000 SERIES PORTABLE AUGER

PTO ELECT.

905133	31' Portable Auger	6,245.00	Weight 1046
	w/ Discharge Spout Spout, 3' Flex		
905141	41' Portable Auger	6,530.00	1448
	w/ Discharge Spout Spout, 3' Flex		
905158	51' Portable Auger	8,070.00	1715
	w/ Discharge Spout Spout, 3' Flex		
905166	61' Portable Auger	9,065.00	2032
	w/ Discharge Spout Spout, 3' Flex		
905174	71' Portable Auger	11,445.00	2643
	w/ Discharge Spout Spout, 3' Flex		
905182	81' Portable Auger	14,275.00	3220
	w/ Discharge Spout Spout, 3' Flex		

Call for Pricing

712166	PTO Drive Kit 31-41-51	<u>Call for Pricing</u>	Weight
712119	PTO Drive Kit 61-71-81		133
611020	Electric Motor Kit		186
			141

690966	1000 Discharge Spout		14
031112	1000 Rubber Flex	per ft.	
031211	1000 Hose Clamp		
904060	Whopper Hopper		20
760777	Hydraulic Winch Adapter Kit		
760785	Hydraulic Swing Away Hopper		500
760793	Electric Self-powered Swing Away		500
760801	Electric Independent Hopper		450
760850	Hydraulic Independent Hopper		
760736	Transp. Carrier for Swing Away31-61		
760876	Transp. Carrier for Swing Away71-81		

TIRES NOT INCLUDED



AUGERS



MY-D HAN-D UTILITY & TRUCK AUGERS

Part No.	Weight	Description	
900316	129	11' 400 12V Truck Auger	Call for Pricing
900324	144	16' 400 12V Truck Auger	
900332		11' 400 Hydraulic Truck Auger	
900340		16' 400 Hydraulic Truck Auger	
900357		21' 400 Hydraulic Truck Auger	
900555		12' 600 Hydraulic Truck Auger	
900563		17' 600 Hydraulic Truck Auger	
932251	230	17' 600 Hydraulic Tail Gate Auger	
932269		W/ Poly Cup Flight Tail Gate Hopper	
900647	37	11' 400 Utility Auger	10
900639	54	16' 400 Utility Auger	15
900663	67	21' 400 Utility Auger	20
900571	108	12' 600 Utility Auger	10
900589	139	17' 600 Utility Auger	15
900597	184	22' 600 Utility Auger	20
900605	219	27' 600 Utility Auger	19-6
900480		34' 600 Utility Auger	19-13
900621	282	37' 600 Utility Auger	19-10-6
900506	314	44' 600 Utility Auger	19-10-13
900548		46' 600 Utility Auger	19-19-6
900415		12' 800 Utility Auger	10
900423	218	17' 800 Utility Auger	15
900431	279	22' 800 Utility Auger	20
900449	331	27' 800 Utility Auger	19-6
900514		34' 800 Utility Auger	19-13
900464		37' 800 Utility Auger	19-10-6
900530	479	44' 800 Utility Auger	19-10-13
900555		46' 800 Utility Auger	19-19-6
904730		12' 1000 Utility Auger	9'6-1/2"
904748		16' 1000 Utility Auger	14'
904755		22' 1000 Utility Auger	19'4"
904763		32' 1000 Utility Auger	18'3"-11'
904771		42' 1000 Utility Auger	18'3"-9'10"-11'
904789		51' 1000 Ut Auger	18'3"-9'10"-9'10"-11'

TIRES NOT INCLUDED



AUGERS



MY-D HAN-D UTILITY AUGER ACCESSORIES

Part No.	Weight	Description	
829994	5	400 Cage	<u>Call for Pricing</u>
826883	16	600 Cage	
826875	20	800 Cage	
838714		1000 Cage	
902908	14	5' 400 Extension	
656074	25	10' 400 Extension	
920577	43	5' 600 Extension	
902585	50	5' 800 Extension	
730176	34	5' 600 Mid	
730143	68	10' 600 Mid	
670992	126	19' 600 Mid	
730218	54	5' 800 Mid	
720862	107	10' 800 Mid	
680140	205	19' 800 Mid	
760686		10' 1000 Mid	
891986	3	400 Discharge Spout	
711887	6	600 Discharge Spout	
711895	8	800 Discharge Spout	
690966	14	1000 Discharge Spout	
031062		400 Rubber Flex Hose	per ft.
031195		400 Hose Clamp	
031096		600 Rubber Flex Hose	per ft.
551788		600 Hose Clamp	
031104		800 Rubber Flex Hose	per ft.
031203		800 Hose Clamp	
031112		1000 Rubber Flex Hose	per ft.
031211		1000 Hose Clamp	
904052	16	Flex Hopper 600-800	
904060	20	Whopper Hopper	
		Tail Gate Hopper	

TIRES NOT INCLUDED

