

# LAND ROLLERS

# MANDAKO Agri



**HEAVIEST PRODUCTION  
BUILT LAND ROLLER  
ON THE MARKET**



**Roll rocks, gopher and mole hills  
flush with ground level.**

**LAND ROLLERS**

**SWATH ROLLERS**

**Hay Crops**

**Soybeans**

**Corn- Root Stalks**

**Pulse Crops**

**No Till Acres**



# LAND ROLLERS



## HEAVIEST PRODUCTION BUILT LAND ROLLER ON THE MARKET

### ROLLER FEATURES

- 5/8" drum roller wall thickness (3/4" available)
- 42" drum diameter (36" available)
- 3" drum shaft and bearing 2' shaft extends into drum
- 4" x 8" frame tubing 1/4" thick, 45' & larger 3/8" thick
- Range load E highway tires (10 ply) on sidewall, 14 ply on 60'
- Hitch tubing 1/4" thick on all models
- Capability of adding water for weight on 3 section machines only
- Wheel with spindle shaft 2" diameter with 6000 lb hubs
- Hydraulic wing locking system with 2" pin
- Auto fold
- Transport width of 13'4"
- Optional acre counter
- Standard light package
- Standard safety chain
- Optional free floating hitch for better contour conformity

### WORKING WIDTHS:

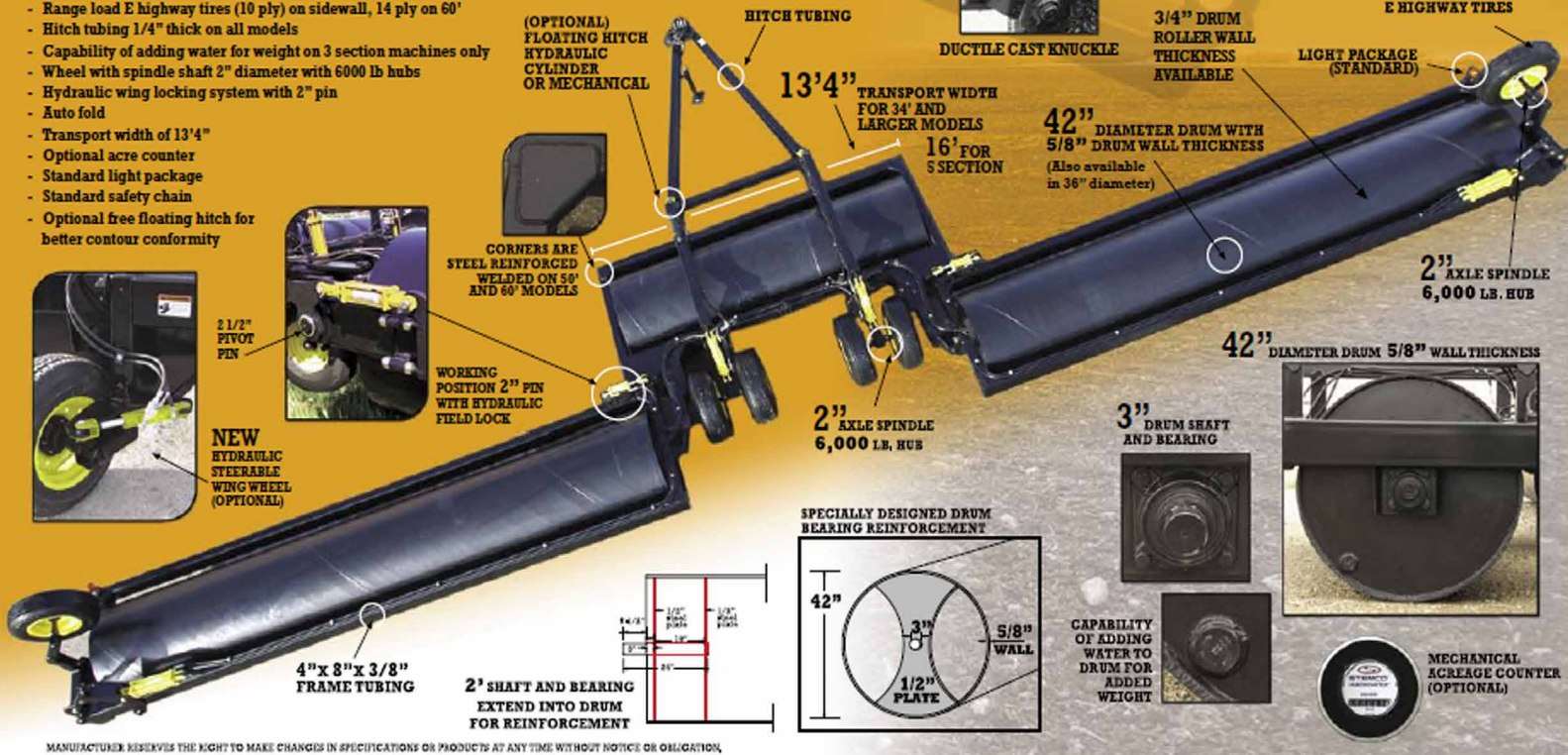
3 Section: 12', 15', 20', 30', 34', 40', 45', 50', 60'

5 Section: 65', 70', 75', 80', 85'

SINGLE ROLLER READY FOR TRANSPORT • WORKING WIDTHS: 12' - 15' - 20'



NEW 5 Section Machine



MANUFACTURER RESERVES THE RIGHT TO MAKE CHANGES IN SPECIFICATIONS OR PRODUCTS AT ANY TIME WITHOUT NOTICE OR OBLIGATION.



**POLY SWATH ROLLER**

- 8' and 10' working widths
- 8' transport with wheels 9.5'
- 10' transport with wheels 11'
- Range from 350 lbs to 450 lbs
- Outside edge diameter: 34'
- Center diameter: 22'
- Hitch length: 80"
- Wheels: 4 bolt
- Tires: 15"
- One year parts warranty



**AXLE MOUNT SWATH ROLLER**

- 8' and 10' working widths
- Range from 350 lbs to 450 lbs
- Outside edge diameter: 34'
- Center diameter: 22'
- One year parts warranty

**LAND ROLLERS**

**MANDAKO**  
*Agri*



**HEAVIEST BUILT LAND ROLLER ON THE MARKET**



**BEFORE**



**AFTER**

**LAND ROLLERS**

- Hay Crops
- Soybeans
- Corn Root Stalks
- Pulse Crops
- No Till Acres

# LAND ROLLERS

## HEAVIEST BUILT LAND ROLLER ON THE MARKET



### WORKING WIDTHS:

Single Section: 12', 15', 20' • 3 Section: 30', 34', 40', 45', 50', 60' • 5 Section: 61', 65', 70', 75', 80', 85'



Light Package (Standard)

Optional Hydraulic or Mechanical Floating Hitch

Hitch Tubing

42" Diameter Drum with 5/8" Drum Wall Thickness (Also available in 36" diameter)

4" x 8" x 3/8" Frame Tubing

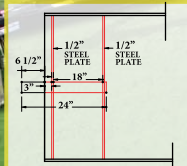
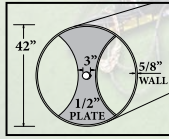
### LAND ROLLER FEATURES

- 5/8" drum roller wall thickness (3/4" available on most models)
- 42" drum diameter (36" available)
- 4" x 8" frame tubing 3/8" thick
- Range load E highway tires (10 ply) on sidewall, 14 ply on 60"
- Capability of adding water for weight (some models)
- Wheel with spindle shaft 2" diameter with 6000 lb hubs
- Hydraulic wing locking system with 2" pin
- Auto fold
- Transport width of 13' 2" on 3-plex & 16' on 5-plex
- Optional acre counter
- Standard light package
- Standard safety chain
- Optional free floating hitch for better contour conformity
- Hydraulic steerable wing wheel with dual option

Load Range E Highway Tires

2" Axle Spindle  
6,000 Lb. Hub

### SPECIALLY DESIGNED DRUM BEARING REINFORCEMENT



13'2" Transport Width for 3 Section Models  
16' for 5 Section Models

3/4" Drum Roller Wall Thickness Available

Working Position 2" Pin with Hydraulic Field Lock

Hydraulic Steerable Wing Wheel with single or dual wheel option

Reinforced Corners

2 1/2" Pivot Pin

42" Diameter Drum 5/8" Wall Thickness

Mechanical Acre Counter

Some models capable of adding water to drum for added weight

3" Drum Shaft and HD Bearing

Ductile Cast Knuckle



Rolling after soybean emergence

# LAND ROLLERS



Prices in effect until April 30, 2024

All prices in USD

## SINGLE LANDROLLER (without Transport)

	Product	Description	Model	Drum Size		Price
6'	LRS06101	6' Single Landroller	L650S	36" x 1/2" Drum (0.500")	-	\$ 8,500.00
	LRS06201	6' Single Landroller	L650S	42" x 5/8" Drum (0.625")	-	\$ 8,800.00
	LRS06301	6' Single Landroller	L650S	42" x 3/4" Drum (0.750")	-	\$ 9,300.00
8'	LRS08101	8' Single Landroller	L850S	36" x 1/2" Drum (0.500")	-	\$ 10,300.00
	LRS08201	8' Single Landroller	L850S	42" x 5/8" Drum (0.625")	-	\$ 10,700.00
	LRS08301	8' Single Landroller	L850S	42" x 3/4" Drum (0.750")	-	\$ 11,300.00
10'	LRS10101	10' Single Landroller	L1050S	36" x 1/2" Drum (0.500")	-	\$ 12,300.00
	LRS10201	10' Single Landroller	L1050S	42" x 5/8" Drum (0.625")	-	\$ 12,700.00
	LRS10301	10' Single Landroller	L1050S	42" x 3/4" Drum (0.750")	-	\$ 13,300.00
12'	LRS12101	12' Single Landroller	L1250S	36" x 1/2" Drum (0.500")	-	\$ 15,000.00
	LRS12201	12' Single Landroller	L1250S	42" x 5/8" Drum (0.625")	-	\$ 15,400.00
	LRS12301	12' Single Landroller	L1250S	42" x 3/4" Drum (0.750")	-	\$ 16,300.00
15'	LRS15101	15' Single Landroller	L1550S	36" x 1/2" Drum (0.500")	-	\$ 17,200.00
	LRS15201	15' Single Landroller	L1550S	42" x 5/8" Drum (0.625")	-	\$ 17,700.00
	LRS15301	15' Single Landroller	L1550S	42" x 3/4" Drum (0.750")	-	\$ 18,700.00
20'	LRS20101	20' Single Landroller	L2050S	36" x 1/2" Drum (0.500")	-	\$ 20,900.00
	LRS20201	20' Single Landroller	L2050S	42" x 5/8" Drum (0.625")	-	\$ 21,600.00
	LRS20301	20' Single Landroller	L2050S	42" x 3/4" Drum (0.750")	-	\$ 22,700.00
Options	AA001090	Clevis Hitch Insert				\$ 80.00
	AA001089	Pintle Wedge Kit				\$ 75.00
	AA001001	Mechanical Acre Counter for 36" Drum				\$ 325.00
	AA001002	Mechanical Acre Counter for 42" Drum				\$ 325.00
		Select a Colour				
	Colour B	Black				Included
	Colour G	Green				Included



Prices and Specifications may be subject to change without notice. Prices do not include shipping or setup.

# LAND ROLLERS



Prices in effect until April 30, 2024

All prices in USD

## MINI LANDROLLER (with Transport)

	Product	Description	Model	Drum Size	Net Setup	Price
6'	LRM06101	6' Mini Landroller	L650M	36" x 1/2" Drum (0.500")	200.00	\$ 13,400.00
	LRM06201	6' Mini Landroller	L650M	42" x 5/8" Drum (0.625")	200.00	\$ 13,900.00
	LRM06301	6' Mini Landroller	L650M	42" x 3/4" Drum (0.750")	200.00	\$ 14,700.00
8'	LRM08101	8' Mini Landroller	L850M	36" x 1/2" Drum (0.500")	200.00	\$ 15,800.00
	LRM08201	8' Mini Landroller	L850M	42" x 5/8" Drum (0.625")	200.00	\$ 16,300.00
	LRM08301	8' Mini Landroller	L850M	42" x 3/4" Drum (0.750")	200.00	\$ 17,200.00
10'	LRM10101	10' Mini Landroller	L1050M	36" x 1/2" Drum (0.500")	200.00	\$ 19,300.00
	LRM10201	10' Mini Landroller	L1050M	42" x 5/8" Drum (0.625")	200.00	\$ 19,900.00
	LRM10301	10' Mini Landroller	L1050M	42" x 3/4" Drum (0.750")	200.00	\$ 21,000.00
12'	LRM12101	12' Mini Landroller	L1250M	36" x 1/2" Drum (0.500")	200.00	\$ 23,700.00
	LRM12201	12' Mini Landroller	L1250M	42" x 5/8" Drum (0.625")	200.00	\$ 24,500.00
	LRM12301	12' Mini Landroller	L1250M	42" x 3/4" Drum (0.750")	200.00	\$ 25,800.00
15'	LRM15101	15' Mini Landroller	L1550M	36" x 1/2" Drum (0.500")	200.00	\$ 27,200.00
	LRM15201	15' Mini Landroller	L1550M	42" x 5/8" Drum (0.625")	200.00	\$ 28,100.00
	LRM15301	15' Mini Landroller	L1550M	42" x 3/4" Drum (0.750")	200.00	\$ 29,600.00
20'	LRM20101	20' Mini Landroller	L2050M	36" x 1/2" Drum (0.500")	200.00	\$ 33,100.00
	LRM20201	20' Mini Landroller	L2050M	42" x 5/8" Drum (0.625")	200.00	\$ 34,300.00
	LRM20301	20' Mini Landroller	L2050M	42" x 3/4" Drum (0.750")	200.00	\$ 36,200.00
Options	AA001090	Clevis Hitch Insert				\$ 80.00
	AA001089	Pintle Wedge Kit				\$ 75.00
	AA001001	Mechanical Acre Counter for 36" Drum				\$ 325.00
	AA001002	Mechanical Acre Counter for 42" Drum				\$ 325.00
	KU100002	Mini Landroller Dual Wheel Updrade Kit (14 ply)				\$ 1,800.00
	KU100005	Mini Landroller HD Wheel Lift Cylinder				\$ 865.00
		Select a Colour				
	Colour B	Black				Included
	Colour G	Green				Included



Prices and Specifications may be subject to change without notice. Prices do not include shipping or setup.

# LAND ROLLERS

Prices in effect until April 30, 2024



All prices in USD

## INLINE LANDROLLER

	Product	Description	Model	Drum Size	Net Setup	Price	
10'	LRI10101	10' Inline Landroller	L1050I	36" x 1/2" Drum (0.500")	300.00	\$ 27,500.00	
	LRI10201	10' Inline Landroller	L1050I	42" x 5/8" Drum (0.625")	300.00	\$ 28,500.00	
	LRI10301	10' Inline Landroller	L1050I	42" x 3/4" Drum (0.750")	300.00	\$ 30,000.00	
	AA005014	Mud Scraper kit option: 10' (36" Drum")					\$ 1,050.00
	AA005018	Mud Scraper kit option: 10' (42" Drum")					\$ 1,050.00
13'	LRI13101	13' Inline Landroller	L1350I	36" x 1/2" Drum (0.500")	300.00	\$ 30,500.00	
	LRI13201	13' Inline Landroller	L1350I	42" x 5/8" Drum (0.625")	300.00	\$ 31,600.00	
	LRI13301	13' Inline Landroller	L1350I	42" x 3/4" Drum (0.750")	300.00	\$ 33,300.00	
	AA005015	Mud Scraper kit option: 13' (36" Drum")					\$ 1,305.00
	AA005019	Mud Scraper kit option: 13' (42" Drum")					\$ 1,305.00
15'	LRI15101	15' Inline Landroller	L1550I	36" x 1/2" Drum (0.500")	300.00	\$ 32,400.00	
	LRI15201	15' Inline Landroller	L1550I	42" x 5/8" Drum (0.625")	300.00	\$ 33,500.00	
	LRI15301	15' Inline Landroller	L1550I	42" x 3/4" Drum (0.750")	300.00	\$ 35,300.00	
	AA005016	Mud Scraper kit option: 15' (36" Drum")					\$ 1,475.00
	AA005020	Mud Scraper kit option: 15' (42" Drum")					\$ 1,475.00
20'	LRI20101	20' Inline Landroller	L2050I	36" x 1/2" Drum (0.500")	300.00	\$ 37,400.00	
	LRI20201	20' Inline Landroller	L2050I	42" x 5/8" Drum (0.625")	300.00	\$ 38,700.00	
	LRI20301	20' Inline Landroller	L2050I	42" x 3/4" Drum (0.750")	300.00	\$ 40,800.00	
	AA005017	Mud Scraper kit option: 20' (36" Drum")					\$ 1,900.00
	AA005021	Mud Scraper kit option: 20' (42" Drum")					\$ 1,900.00
Options	AA001090	Clevis Hitch Insert				\$	80.00
	AA001089	Pintle Wedge Kit				\$	75.00
	AA001001	Mechanical Acre Counter for 36" Drum				\$	325.00
	AA001002	Mechanical Acre Counter for 42" Drum				\$	325.00
	Select a Colour						
	Colour B	Black					Included
	Colour G	Green					Included



Prices and Specifications may be subject to change without notice. Prices do not include shipping or setup.

# LAND ROLLERS



Prices in effect until April 30, 2024

All prices in USD

## 3-PLEX LANDROLLER

	Product	Description	Model	Drum Size	Net Setup	Price	
30'	LR330101	30' 3-Plex Landroller	L3060	X3650- 36" x 1/2" Drum (0.500")	900.00	\$ 67,400.00	
	LR330201	30' 3-Plex Landroller	L3060	X4263- 42" x 5/8" Drum (0.625")	900.00	\$ 69,700.00	
	LR330301	30' 3-Plex Landroller	L3060	X4275- 42" x 3/4" Drum (0.750")	900.00	\$ 73,400.00	
	AA005022	Mud Scraper kit option: 30' (36" Drum")					\$ 2,935.00
	AA005001	Mud Scraper kit option: 30' (42" Drum")					\$ 2,935.00
34'	LR334101	34' 3-Plex Landroller	L3460	X3650- 36" x 1/2" Drum (0.500")	900.00	\$ 69,800.00	
	LR334201	34' 3-Plex Landroller	L3460	X4263- 42" x 5/8" Drum (0.625")	900.00	\$ 72,100.00	
	LR334301	34' 3-Plex Landroller	L3460	X4275- 42" x 3/4" Drum (0.750")	900.00	\$ 76,000.00	
	AA005023	Mud Scraper kit option: 34' (36" Drum")					\$ 3,540.00
	AA005002	Mud Scraper kit option: 34' (42" Drum")					\$ 3,540.00
40'	LR340101	40' 3-Plex Landroller	L4060	X3650- 36" x 1/2" Drum (0.500")	900.00	\$ 79,800.00	
	LR340201	40' 3-Plex Landroller	L4060	X4263- 42" x 5/8" Drum (0.625")	900.00	\$ 82,400.00	
	LR340301	40' 3-Plex Landroller	L4060	X4275- 42" x 3/4" Drum (0.750")	900.00	\$ 86,900.00	
	AA005024	Mud Scraper kit option: 40' (36" Drum")					\$ 3,640.00
	AA005003	Mud Scraper kit option: 40' (42" Drum")					\$ 3,640.00
42'	LR342101	42' 3-Plex Landroller	L4260	X3650- 36" x 1/2" Drum (0.500")	900.00	\$ 81,000.00	
	LR342201	42' 3-Plex Landroller	L4260	X4263- 42" x 5/8" Drum (0.625")	900.00	\$ 83,800.00	
	LR342301	42' 3-Plex Landroller	L4260	X4275- 42" x 3/4" Drum (0.750")	900.00	\$ 88,300.00	
	AA005025	Mud Scraper kit option: 42' (36" Drum")					\$ 4,220.00
	AA005004	Mud Scraper kit option: 42' (42" Drum")					\$ 4,220.00
45'	LR345101	45' 3-Plex Landroller	L4560	X3650- 36" x 1/2" Drum (0.500")	900.00	\$ 83,100.00	
	LR345201	45' 3-Plex Landroller	L4560	X4263- 42" x 5/8" Drum (0.625")	900.00	\$ 85,900.00	
	LR345301	45' 3-Plex Landroller	L4560	X4275- 42" x 3/4" Drum (0.750")	900.00	\$ 90,500.00	
	AA005026	Mud Scraper kit option: 45' (36" Drum")					\$ 4,280.00
	AA005005	Mud Scraper kit option: 45' (45" Drum")					\$ 4,280.00
50'	LR350101	50' 3-Plex Landroller	L5060	X3650- 36" x 1/2" Drum (0.500")	900.00	\$ 86,300.00	
	LR350201	50' 3-Plex Landroller	L5060	X4263- 42" x 5/8" Drum (0.625")	900.00	\$ 89,300.00	
	LR350301	50' 3-Plex Landroller	L5060	X4275- 42" x 3/4" Drum (0.750")	900.00	\$ 94,100.00	
	AA005027	Mud Scraper kit option: 50' (36" Drum")					\$ 4,895.00
	AA005006	Mud Scraper kit option: 50' (45" Drum")					\$ 4,895.00



Prices and Specifications may be subject to change without notice. Prices do not include shipping or setup.



# LAND ROLLERS



Prices in effect until April 30, 2024

All prices in USD

## 3-PLEX LANDROLLER CONTINUED

60'	<b>LR360101</b>	60' 3-Plex Landroller	L6050	X3650- 36" x 1/2" Drum (0.500")	900.00	\$ 103,600.00	
	<b>LR360201</b>	60' 3-Plex Landroller	L6050	X4263- 42" x 5/8" Drum (0.625")	900.00	\$ 107,000.00	
	<b>AA005034</b>	<i>Mud Scraper kit option: 60' (36" Drum")</i>					\$ 5,880.00
	<b>AA005042</b>	<i>Mud Scraper kit option: 60' (45" Drum")</i>					\$ 5,880.00
61'	<b>LR361101</b>	61' 3-Plex Landroller	L6150	X3650- 36" x 1/2" Drum (0.500")	900.00	\$ 104,200.00	
	<b>LR361201</b>	61' 3-Plex Landroller	L6150	X4263- 42" x 5/8" Drum (0.625")	900.00	\$ 107,800.00	
	<b>AA005027</b>	<i>Mud Scraper kit option: 61' (36" Drum")</i>					\$ 5,980.00
	<b>AA005006</b>	<i>Mud Scraper kit option: 61' (45" Drum")</i>					\$ 5,980.00
Options	<b>AA001090</b>	Clevis Hitch Insert					\$ 80.00
	<b>AA001089</b>	Pintle Wedge Kit					\$ 75.00
	<b>AA006000</b>	Pintle Hitch kit: Category 5					\$ 625.00
	<b>AA001001</b>	Mechanical Acre Counter for 36" Drum					\$ 325.00
	<b>AA001002</b>	Mechanical Acre Counter for 42" Drum					\$ 325.00
	<b>KU100006</b>	Implement Tire Upgrade (IF280/70R18)					\$ 4,500.00
		Select a Colour					
	<b>Colour B</b>	Black					Included
	<b>Colour G</b>	Green					Included



# LAND ROLLERS



Prices in effect until April 30, 2024

All prices in USD

## 5-PLEX LANDROLLER

	Product	Description	Model	Drum Size	Net Setup	Price
62'	LR562201	62' 5-Plex Landroller	L6260	X4263- 42" x 5/8" Drum (0.625")	1,700.00	\$ 123,000.00
	AA005007	Mud Scraper kit option: 62'				\$ 5,705.00
65'	LR565201	65' 5-Plex Landroller	L6560	X4263- 42" x 5/8" Drum (0.625")	1,700.00	\$ 128,100.00
	AA005008	Mud Scraper kit option: 65'				\$ 6,315.00
70'	LR570201	70' 5-Plex Landroller	L7060	X4263- 42" x 5/8" Drum (0.625")	1,700.00	\$ 134,300.00
	AA005009	Mud Scraper kit option: 70'				\$ 6,375.00
75'	LR575201	75' 5-Plex Landroller	L7560	X4263- 42" x 5/8" Drum (0.625")	1,700.00	\$ 139,700.00
	AA005010	Mud Scraper kit option: 75'				\$ 7,040.00
80'	LR580201	80' 5-Plex Landroller	L8060	X4263- 42" x 5/8" Drum (0.625")	1,700.00	\$ 145,000.00
	AA005011	Mud Scraper kit option: 80'				\$ 7,075.00
85'	LR585201	85' 5-Plex Landroller	L8560	X4263- 42" x 5/8" Drum (0.625")	1,700.00	\$ 150,500.00
	AA005012	Mud Scraper kit option: 85'				\$ 7,105.00
Options	AA001002	Mechanical Acre Counter for 42" Drum				\$ 325.00
	AA006000	Pintle Hitch kit: Category 5				\$ 625.00
	KU100019	Implement Tire Upgrade				\$ 9,000.00
		Select a Colour				
	Colour B	Black				Included
	Colour G	Green				Included



Prices and Specifications may be subject to change without notice. Prices do not include shipping or setup.

# LAND ROLLERS

Prices in effect until April 30, 2024



All prices in USD

## STUBBLE CRUNCHER

	Product	Description	Model	Drum Size	Net Setup	Price
15'	LRI15901	15' Stubble Cruncher	L1550I	SB24B- 24" x 1/2" Drum (0.500")	300.00	\$ 40,100.00
20'	LRI20901	20' Stubble Cruncher	L2050I	SB24B- 24" x 1/2" Drum (0.500")	300.00	\$ 52,700.00
40'	LR340901	40' Stubble Cruncher	L4060	SB24B- 24" x 1/2" Drum (0.500")	900.00	\$ 101,300.00
42'	LR342901	42' Stubble Cruncher	L4260	SB24B- 24" x 1/2" Drum (0.500")	900.00	\$ 104,400.00
Options	AA001090	Clevis Hitch Insert				\$ 80.00
	AA001005	Mechanical Acre Counter				\$ 325.00
		Select a Colour				
	Colour B	Black				Included
	Colour G	Green				Included



# LAND ROLLERS

Prices in effect until April 30, 2024



All prices in USD

## Cover Crop Crimper

	Product	Description	Price	Drum Size	Net Setup	Price
Weld-on	LRI15801	15' Cover Crop Crimper	L1550I	CB36A- 36" x 1/2" Drum (0.500")	300.00	\$ 38,800.00
	LRI20801	20' Cover Crop Crimper	L2050I	CB36A- 36" x 1/2" Drum (0.500")	300.00	\$ 51,200.00
	LR330801	30' Cover Crop Crimper	L3060	CB36A- 36" x 1/2" Drum (0.500")	300.00	\$ 77,500.00
	LR332801	32' Cover Crop Crimper	L3260	CB36A- 36" x 1/2" Drum (0.500")	300.00	\$ 82,400.00
	LR334801	34' Cover Crop Crimper	L3460	CB36A- 36" x 1/2" Drum (0.500")	900.00	\$ 85,300.00
	LR340801	40' Cover Crop Crimper	L4060	CB36A- 36" x 1/2" Drum (0.500")	900.00	\$ 97,500.00
Bolt-on	LRI16601	16' Cover Crop Crimper	L1650I	CB36A- 36" x 1/2" Drum (0.500")	300.00	\$ 45,000.00
	LRI20601	20' Cover Crop Crimper	L2050I	CB36A- 36" x 1/2" Drum (0.500")	300.00	\$ 56,600.00
	LR334601	34' Cover Crop Crimper	L3460	CB36A- 36" x 1/2" Drum (0.500")	900.00	\$ 94,600.00
	LR342601	42' Cover Crop Crimper	L4260	CB36A- 36" x 1/2" Drum (0.500")	900.00	\$ 112,400.00
Options	AA001090	Clevis Hitch Insert				\$ 80.00
	AA001001	Mechanical Acre Counter for 36" Drum				\$ 315.00
	AU100006	Implement Tire Upgrade: IF280/70R15 (3-plex only)				\$ 3,500.00
		Select a Colour				
	Colour B	Black				Included
Colour G	Green				Included	

