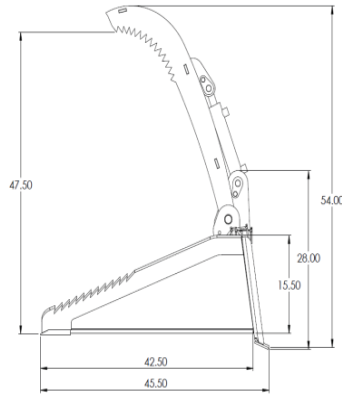


## Stump Grapple Model #33032



- Many uses including:
- Stump Removal
  - Tree Plucking
  - Digging Trenches
  - Moving Rock
  - Loading Logs
  - Pulling Posts Out
  - and more



Optional Weld on Teeth

## Specifications

|                         |                                      |
|-------------------------|--------------------------------------|
| Overall Width           | 45"                                  |
| Overall Height - Closed | 28 <sup>1</sup> / <sub>4</sub> "     |
| Overall Height - Open   | 47"                                  |
| Overall Depth           | 46"                                  |
| Grapple Opening         | 45-1/2"                              |
| Bucket Depth            | 42-1/2"                              |
| Bucket Thickness        | 5/16" Grade 50                       |
| Side Cutting Edge       | 1/2" Grade 50                        |
| Wear Bars               | 1/2" Grade 50                        |
| Grapple Arm             | 1/2" Grade 50 - Laser Cut            |
| Cylinder                | 2-1/2" x 8" Welded Cross Tube        |
| Hydraulic Couplers      | Flat Face                            |
| Hydraulic Hoses         | 3/8"                                 |
| PSI Max                 | 3,000 PSI                            |
| Pivot Points            | Grease Zerks                         |
| Main Pin                | 1.5" x 15"                           |
| Rear Cylinder Pin       | 1" x 6"                              |
| Front Cylinder Pin      | 1" x 5 <sup>1</sup> / <sub>2</sub> " |
| Weight                  | 500 lbs.                             |

# LEGEND ATTACHMENTS

Our Quality Is “LEGEND”ARY

## Skid Steer Stump Grapple

| ORDER #  | Description        | Weight | LIST    | STEEL SURCHARGE |
|----------|--------------------|--------|---------|-----------------|
| LA 33032 | Stump Grapple USSM | 500    | 1725.00 | 300.00          |

- Ideal for Removing Stumps, Trees, Rocks & Digging Trenches



(Shown W/ Optional Weld on Tooth Kit)