



HAMMER



ONE-PERSON POST DRIVER

NO Springs NO Cylinder NO Return Line

Hydraulic grapple option allows one person to pick up, load, and drive posts. Tilt option available.

Free fall weight design creates smooth operation with less shock back to the vehicle

3/4" steel plate protects the top of the post from Hammer weight damage

Maximum impact force achieved with every stroke

Ability to short stroke to fine tune post depth

Top of post is contained preventing kickout

No setup required, it's ready to go to work

1-Year Warranty

Easily Drives

T-Posts

Fence Posts

Tent Stakes

Guard Rails

Pipe Fence

Median Dividers

Sign Posts

Railroad Ties



Made in the U.S.A.

Good enough won't do - it must be right.

HAMMER MODELS

Recommended 75 HP & above tractors. DO NOT exceed the tractor loader rated operating capacity. Use sufficient counterweights.



SM40

Skid-Steer Quick Attach Mounting Plate



LM40

Offset Skid-Steer Quick Attach Mounting Plate for Front-End Loaders



EM40

Offset Euro/Global Quick Attach Mounting Plate for Front-End Loaders

Excavator attachment requires an 8 metric ton machine (17636 lbs.) or larger. Or, a machine with 3500 lbs. lift capacity at 10' over the side. Danuser will need the dipperstick width along with bucket and cylinder pin diameters.



SM40 with tilt option



SM40 with grapple option

	Hammer
Tilt (left or right)	20°
Machine Weight* ¹	880-1116 lbs.
Hammer Weight* ²	Standard 300 lbs. (Additional Weight 500 lbs. max.)
Length of Stroke	40"
Max. Strokes Per Minute	35
Hydraulic Requirements* ³	1500-3000 PSI 12 to 30 GPM
Max. Post Size	8.5" x 9.25"
Impact Force	82000 lbs. w/ 500-lb. weight
Impact Energy	1025 ft.-lbs. w/ 300-lb. weight; 1709 ft.-lbs. w/ 500-lb. weight

*¹ Weights given without additional weight option.

*² Additional weight kit (PN 21163) adds 200 lbs. to machine weight for 60% more impact force.

*³ Hammer will still operate on machines with less than 12 GPM, but with fewer strokes per minute.

HAMMER

Accessories/Options



PN 21212

Floating Horseshoe Plate

Recommended for driving smaller diameter pipe/posts (less than 4" O.D.) in difficult conditions

Aids in keeping the pipe/post centered in the driver and reduces wear and tear on machine

Works with pipe/posts 5" diameter and smaller and with T-post adapter



PN 21280

Guard Rail Plate

Recommended when driving 6" or 8" I beams

Aids in keeping the guard rail from twisting and shifting



T-Post Adapter - PN 21149

Must be added for driving T-posts



Additional Weight Kit (not shown) - PN 21163

Adds 200 lbs. to machine weight for 60% more impact force



Concrete Breaker Kit - PN 21278

Replaces hammer weight with 500-lb. breaker attachment

Breaks up to 9" thick reinforced concrete

Delivers up to 82000 lbs. of impact force with each cycle

Kit includes additional hardware



Grapple Option (not shown)

May be added to any base model machine for one-person operation



Tilt Option (not shown)

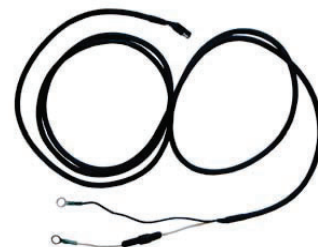
May be added to any base model machine for tilt up to 20° left or right



Optional Tilt Wiring Harnesses



8-Pin or 14-Pin Pigtail



Battery Connection Wiring Harness
PN 21253



HAMMER



Established in 1910, DANUSER has been family owned and operated by four generations. We have manufactured auger systems since the mid-1940's. With over 70 years of design and manufacturing experience, our machines have dug millions of holes. Today our commitment to our customer remains to design and build products that are the benchmark of quality, reliability, and longevity. In the words of our founder K.B. Danuser, "Good enough won't do - it must be right."

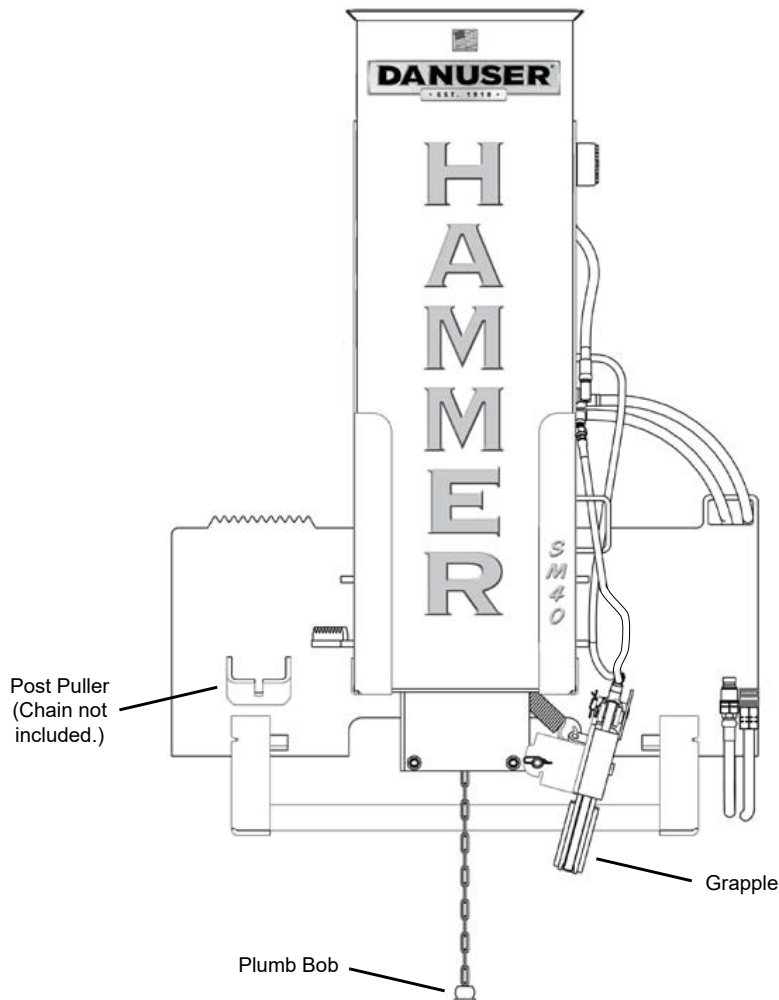
DANUSER manufactures several attachments for various equipment, serving several industries worldwide.





HAMMER SERIES PRICE LIST

1-Year Warranty



HAMMER SERIES PRICE SHEET

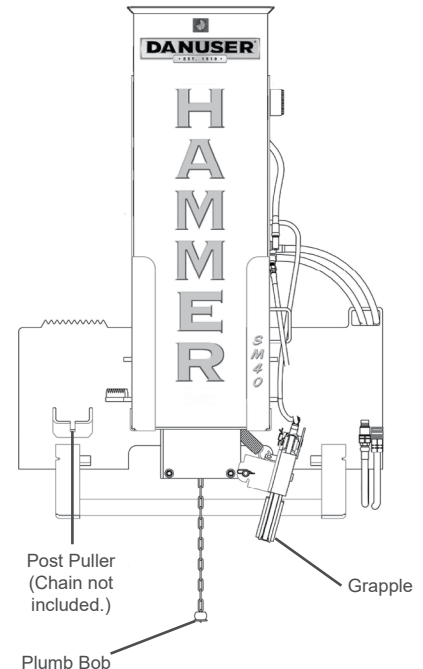
1-Year Warranty

⚠ WARNING This product can expose you to chemicals known to the State of California to cause cancer and birth defects or other reproductive harm. For more information go to www.P65Warnings.ca.gov/product.

SKID-STEER MOUNT

NOTE: If post/pipe diameter is 4" O.D. or smaller, PN 21212 or PN 21395 must be installed.

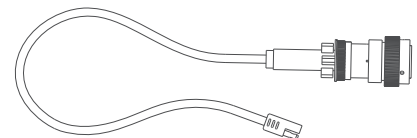
PN	DESCRIPTION	WT.	PRICE
21000	Hammer SM40 Hydraulic continuous chain drive, 300 lb. hammer weight (500 lbs. max.), 40" stroke, up to 35 strokes per minute, drives T-post up to railroad ties. Integrated post puller to be used with log chain. Includes hoses with flat face couplers.	915	\$7,531.40
21000L	Hammer SM40 Loaded Includes factory-installed Additional Weight Kit.	1115	\$8,039.10
21001	Hammer SM40 with Grapple Grapple for one-man operation.	955	\$8,255.00
21001L	Hammer SM40 with Grapple Loaded Includes Grapple and factory-installed Additional Weight Kit.	1155	\$8,763.00
21002	Hammer SM40 with Tilt Tilt left or right up to 20°. Includes diverter switch and cigarette lighter adapter that connects to a power port or cigarette lighter inside the cab.	1005	\$10,134.60
21002L	Hammer SM40 with Tilt Loaded Includes Tilt and factory-installed Additional Weight Kit.	1205	\$10,648.95
21003	Hammer SM40 with Grapple and Tilt	1045	\$10,858.50
21003L	Hammer SM40 with Grapple and Tilt Loaded Includes Grapple, Tilt, and factory-installed Additional Weight Kit.	1245	\$11,372.85



OPTIONAL WIRING HARNESSES

Allow Hammer Tilt function operation from vehicle joy stick controls. Replace cigarette lighter plug on SM40, LM40, or EM40 standard harness.

PN	DESCRIPTION	WT.	PRICE
21220-1	Wiring Harness 8-Pin Used on ASV, Caterpillar, Komatsu, Terex	2	\$201.93
21220-2	Wiring Harness 14-pin Used on Bobcat (prior to 1999), Case, Kubota, New Holland, Takeuchi, Volvo	2	\$201.93
21220-3	Wiring Harness 14-pin Deere Used on John Deere	2	\$201.93
21220-4	Wiring Harness 14-pin Caterpillar Used on Caterpillar	2	\$201.93
21220-5	Wiring Harness 14-pin Used on Bobcat (1999 and current), Gehl	2	\$201.93
*21220-U1	Wiring Harness 8-pin Universal wiring harness. Contacts are crimped on wire but not installed in connector.	2	\$201.93
*21220-U2	Wiring Harness 14-pin Universal wiring harness. Contacts are crimped on wire but not installed in connector.	2	\$201.93

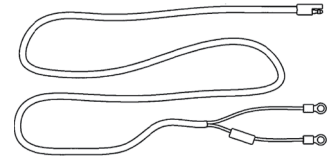


Danuser LLC takes care to ensure the accuracy of the information contained in this price sheet. We assume no liability for errors contained herein. It is the responsibility of the installer to ensure that all of the products are correct before installation. Proper assembly always requires that the installer use all instructions and safety procedures. We assume no liability for any errors made in product selection or installation.

* Requires connector contacts be installed in a switchable +12 V pin location and ground pin location. Mapping of skid-steer connector pins required.

BATTERY WIRING HARNESS

PN	DESCRIPTION	WT.	PRICE
21253	Wiring Harness - Battery Connection Connects to vehicle battery to supply power for Tilt function. Replaces cigarette lighter plug on SM40, LM40, or EM40 standard harness.	2	\$66.04

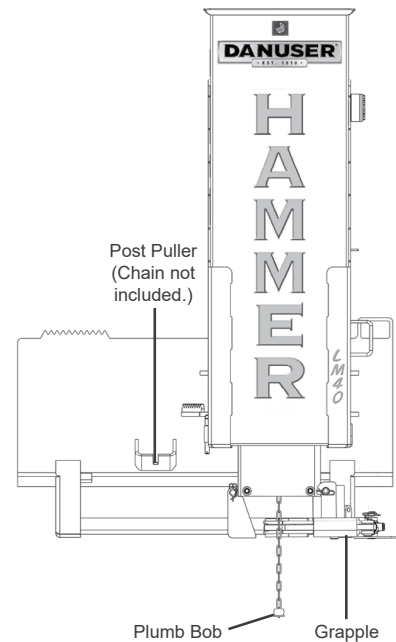


FRONT-END LOADER MOUNT - SKID-STEER QUICK ATTACH

For tractor-mounted Hammers, recommended 75 HP & above only. DO NOT exceed the tractor loader Rated Operating Capacity. Use sufficient counterweights. See Front-End Loader Hose Kit to connect to rear tractor remotes.

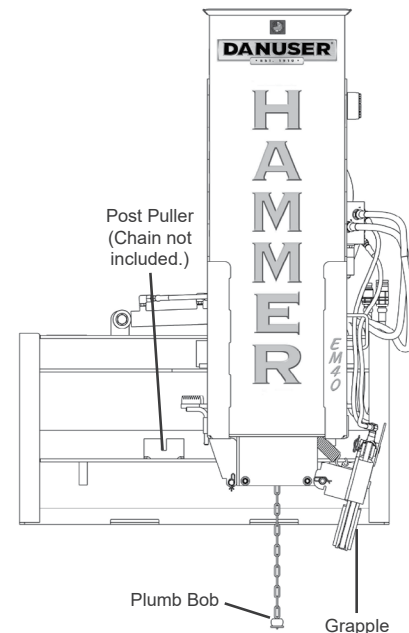
NOTE: If post/pipe diameter is 4" O.D. or smaller, PN 21212 or PN 21395 must be installed.

PN	DESCRIPTION	WT.	PRICE
21006	Hammer LM40 Hydraulic continuous chain drive, 300 lb. hammer weight (500 lbs. max.), 40" stroke, up to 35 strokes per minute, drives T-post up to railroad ties. Integrated post puller to be used with log chain. Includes hoses with flat face couplers.	948	\$7,670.80
21006L	Hammer LM40 Loaded Includes factory-installed Additional Weight Kit	1148	\$8,185.15
21007	Hammer LM40 with Grapple Grapple for one-man operation.	991	\$8,394.70
21007L	Hammer LM40 with Grapple Loaded Includes Grapple and factory-installed Additional Weight Kit	1191	\$8,909.05
21008	Hammer LM40 with Tilt Tilt left or right up to 20°. Includes diverter switch and cigarette lighter adapter that connects to a power port or cigarette lighter inside the cab.	991	\$10,280.65
21008L	Hammer LM40 with Tilt Loaded Includes Tilt and factory-installed Additional Weight Kit	1191	\$10,795.00
21009	Hammer LM40 with Grapple and Tilt	1041	\$11,004.55
21009L	Hammer LM40 with Grapple and Tilt Loaded Includes Grapple, Tilt, and factory-installed Additional Weight Kit	1241	\$11,518.90



FRONT-END LOADER MOUNT - EURO/GLOBAL QUICK ATTACH

PN	DESCRIPTION	WT.	PRICE
21010	Hammer EM40 Hydraulic continuous chain drive, 300 lb. hammer weight (500 lbs. max.), 40" stroke, up to 35 strokes per minute, drives T-post up to railroad ties. Integrated post puller to be used with log chain. Includes hoses with flat face couplers.	948	\$7,778.75
21010L	Hammer EM40 Loaded Includes factory-installed Additional Weight Kit	1148	\$8,293.10
21011	Hammer EM40 with Grapple Grapple for one-man operation.	991	\$8,502.65
21011L	Hammer EM40 with Grapple Loaded Includes Grapple and factory-installed Additional Weight Kit	1191	\$9,017.00
21012	Hammer EM40 with Tilt Tilt left or right up to 20°. Includes diverter switch and cigarette lighter adapter that connects to a power port or cigarette lighter inside the cab.	991	\$10,388.60
21012L	Hammer EM40 with Tilt Loaded Includes Tilt and factory-installed Additional Weight Kit	1191	\$10,902.95
21013	Hammer EM40 with Grapple and Tilt	1041	\$11,112.50
21013L	Hammer EM40 with Grapple and Tilt Loaded Includes Grapple, Tilt, and factory-installed Additional Weight Kit	1241	\$11,626.85

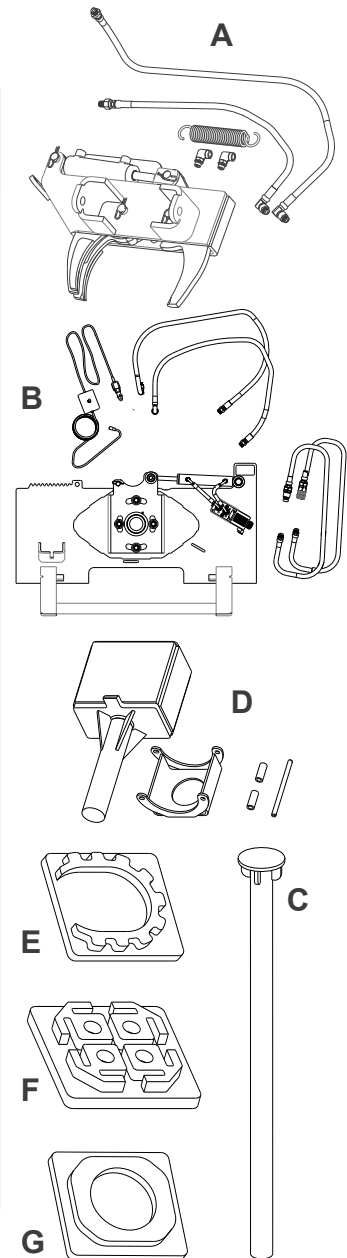


HOSE KITS

PN	DESCRIPTION	WT.	PRICE
21231	Front-End Loader Hose Kit 1/2" hose kit, 25' long, with flat face ISO couplers and pioneer couplers. Includes mounting bracket for bolting or welding. Hardware not included.	18	\$464.82
186065	Hose Extension Kit Extends Hammer hoses 24" when needed on certain skid-steers (e.g. JCB, Volvo). Includes two 24" hoses and fittings.	3	\$73.66

HAMMER SERIES ACCESSORIES

REF.	PN	DESCRIPTION	WT.	PRICE
A	21004	SM40 Grapple Grapple for one-person operation, for SM40 Hammers only.	65	\$868.68
--	21014	EM40 / LM40 Grapple Grapple for one-person operation, for EM40 & LM40 Hammers only.	65	\$868.68
B	21005	SM40 Tilt May be added to SM40 Hammers only. Tilt left or right up to 20°. Includes diverter switch and cigarette lighter adapter that connects to a power port or cigarette lighter inside the cab.	200	\$2,794.00
--	21015	LM40 Tilt May be added to LM40 Hammers only. Tilt left or right up to 20°. Includes diverter switch and cigarette lighter adapter that connects to a power port or cigarette lighter inside the cab.	200	\$2,794.00
--	21016	EM40 Tilt May be added to EM40 Hammers only. Tilt left or right up to 20°. Includes diverter switch and cigarette lighter adapter that connects to a power port or cigarette lighter inside the cab.	195	\$3,037.84
C	21149	T-Post Adapter Must be added for driving T-posts.	22	\$181.61
--	21163	Additional Weight Kit Add steel shot for additional driving force. (Up to 60% more power.)	220	\$441.96
D	21278	Concrete Breaker Kit May be added to all Hammer models to convert to a concrete breaker. Breaks up to 9" thick reinforced concrete. Includes 500 lb. breaker attachment, foot, and additional hardware for assembling.	534	\$2,589.53
E	21212	Strike Plate - Horseshoe Useful for driving smaller diameter pipe in difficult conditions. Aids in keeping the post centered in driver and reduces wear and tear on machine. Does not interfere with operation of the Grapple. Works with posts 5" diameter and smaller including T-post adapter.	20	\$91.44
F	21280	Strike Plate - Guard Rail Recommended when driving 6" or 8" I beams. Aids in keeping the guard rail from twisting and shifting. Does not work with Grapple.	20	\$105.41
G	21395	Strike Plate - 5" Donut In difficult driving conditions, more effective than Horseshoe Strike Plate in centering pipe. Reduces wear and tear on machine. Makes grappling of pipe more challenging. Works best with a helper to position pipe in Hammer. Preferred by fencing professionals. Works with posts 5" diameter and smaller including T-post adapter.	25	\$91.44



SM40

PART ID: 21000

PART ID: 21001 (with Grapple)

PART ID: 21002 (with Tilt)

PART ID: 21003 (with Tilt and Grapple)

Drives fence posts, sign posts, guard rails, median dividers, tent stakes, T-post, pipe fence, and railroad ties with ease. Model SM40 has a 40" drop hammer design. With this innovative design, you can achieve a full stroke with every cycle, or utilize the short stroke feature to fine tune your depth. The Hammer DOES NOT operate with springs, hydraulic cylinder, or return line. Grapple option can be added to any model for a true one-man operation (does not include T-posts). The grapple option will allow the operator to grab the post off the ground, load it into the machine, and drive it in the ground without leaving the skid-steer seat. Tilt option allows up to 20° in each direction. The hammer weight is 300 lbs. from the factory. Additional weight can be added for a total of 500 lbs.

NOTE: If post/pipe diameter is 4" or smaller, PN 21212 Horseshoe Strike Plate (see Accessories tab below) must be purchased separately.

Warranty

1-year

Specifications

Post Dimensions:	T-post to RR Tie
Impact Force:	82,000 lbs.
Length of Stroke:	40
Hammer Weight:	300
Strokes per Minute:	35

	Model SM40 w/ Tilt	Model SM40 w/ Tilt and Grapple
Overall Length	45.5"	
Overall Width	25.5"	
Overall Height	64"	
Tilt (side-side)	20°	
Machine Weight	1005 lbs (1205 lbs w/ additional weight)	1045 lbs (1245 lbs w/ additional weight)
Hammer Weight	300 LBS (500 LBS MAX)	
Length of Stroke	40"	
Max. Strokes per Minute	35	
Hydraulic Requirements	1,500-3,000 PSI *12-30 GPM	
Maximum Post Width	8.5" x 9.25"	
Impact Force	82,000 lbs @ 500 lb weight	
Impact Energy	1,025 ft-lbs @300 lb weight; 1,709 ft-lbs @ 500 lb weight	

*Hammer will still operate on machines with less than 12 GPM with fewer strokes per minute.

LM40

PART ID: 21006

PART ID: 21007 (with Grapple)

PART ID: 21008 (with Tilt)

PART ID: 21009 (with Tilt and Grapple)

Drives fence posts, sign posts, guard rails, median dividers, tent stakes, T-post, pipe fence, and railroad ties with ease. Model LM40 has a 40" drop hammer design. With this innovative design, you can achieve a full stroke with every cycle, or utilize the short stroke feature to fine tune your depth. The Hammer DOES NOT operate with springs, hydraulic cylinder, or return line. Grapple option can be added to any model for a true one-man operation (does not include T-posts). The grapple option will allow the operator to grab the post off the ground, load it into the machine, and drive it in the ground without leaving the skid-steer seat. Tilt option allows up to 20° in each direction. The hammer weight is 300 lbs. from the factory. Additional weight can be added for a total of 500 lbs.

NOTE: If post/pipe diameter is 4" or smaller, PN 21212 Horseshoe Strike Plate (see Accessories tab below) must be purchased separately.

Warranty

1-year

Specifications

Post Dimensions:	T-post to RR Tie
Impact Force:	82,000 lbs.
Length of Stroke:	40
Hammer Weight:	300
Strokes per Minute:	35

	Model LM40 w/ Tilt	Model LM40 w/ Tilt and Grapple
Overall Length	45.5"	
Overall Width	25.5"	
Overall Height	64"	
Tilt (side-side)	20°	
Machine Weight	1076 lbs (1276 lbs w/ additional weight)	1116 lbs (1316 lbs w/ additional weight)
Hammer Weight	300 LBS (500 LBS MAX)	
Length of Stroke	40"	
Max. Strokes per Minute	35	
Hydraulic Requirements	1,500-3,000 PSI *12-30 GPM	
Tractor Requirements	75 HP minimum	
Maximum Post Width	8.5" x 9.25"	
Impact Force	82,000 lbs @ 500 lb weight	
Impact Energy	1,025 ft-lbs @300 lb weight; 1,709 ft-lbs @ 500 lb weight	

*Hammer will still operate on machines with less than 12 GPM with fewer strokes per minute.



EM40

PART ID: 21010

PART ID: 21011 (with Grapple)

PART ID: 21012 (with Tilt)

PART ID: 21013 (with Tilt and Grapple)

Drives fence posts, sign posts, guard rails, median dividers, tent stakes, T-post, pipe fence, and railroad ties with ease. Model EM40 has a 40" drop hammer design. With this innovative design, you can achieve a full stroke with every cycle, or utilize the short stroke feature to fine tune your depth. The Hammer DOES NOT operate with springs, hydraulic cylinder, or return line. Grapple option can be added to any model for a true one-man operation (does not include T-posts). The grapple option will allow the operator to grab the post off the ground, load it into the machine, and drive it in the ground without leaving the skid-steer seat. Tilt option allows up to 20° in each direction. The hammer weight is 300 lbs. from the factory. Additional weight can be added for a total of 500 lbs.

NOTE: If post/pipe diameter is 4" or smaller, PN 21212 Horseshoe Strike Plate (see Accessories tab below) must be purchased separately.

Warranty

1-year

Specifications

Post Dimensions:	T-post to RR Tie
Impact Force:	82,000 lbs.
Length of Stroke:	40
Hammer Weight:	300
Strokes per Minute:	35

	Model EM40 w/ Tilt	Model EM40 w/ Tilt and Grapple
Overall Length	46"	
Overall Width	27.5"	
Overall Height	64"	
Tilt (side-side)	20°	
Machine Weight	970 lbs (1170 lbs w/ additional weight)	1010 lbs (1210 lbs w/ additional weight)
Hammer Weight	300 LBS (500 LBS MAX)	
Length of Stroke	40"	
Max. Strokes per Minute	35	
Hydraulic Requirements	1,500-3,000 PSI *12-30 GPM	
Tractor Requirements	75 HP minimum	
Maximum Post Width	8.5" x 9.25"	
Impact Force	82,000 lbs @ 500 lb weight	
Impact Energy	1,025 ft-lbs @300 lb weight; 1,709 ft-lbs @ 500 lb weight	

***Hammer will still operate on machines with less than 12 GPM with fewer strokes per minute.**